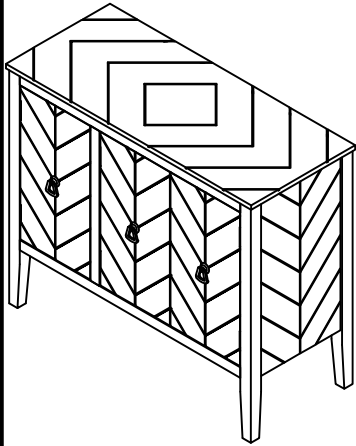


ASSEMBLY INSTRUCTION

Item: B1830 Cabinet

Thank you for purchasing this quality product. Be sure to check all packing material carefully for small parts, which may have come loose inside carton during shipment. Identify and count all parts and compare with the parts list below.

The products are heavy and woody. If you find any damage after takeopening, please be sure to pictures or the damage and contact us. We will help you solve the problem as soon as possible.



ASSEMBLY INSTRUCTION :

1. Remove hardware from box and sort by size.
2. Please check to see that all hardware and parts are present prior start of assembly.
3. Please follow attached instruction in the same sequence as numbered to assure fast and easy assembly



WARNING !

1. Don't attempt to repair or modify parts that are broken or defective. Please contact the store immediately.
2. This product is for home use only and not intended for commercial establishments.
3. Two persons are required for assembly.
4. Approximate assembly time : 1/2 hours.
5. Component parts and fittings contained in the box.

Please sort out all parts before you begin to assemble the item.

This is to make sure you always use the correct part .






6. It is **STRONGLY RECOMMENDED** that you **ANCHOR** this product .





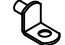

Toppling furniture can cause serious injuries and death.

This product has not been fitted with an anchor strap.

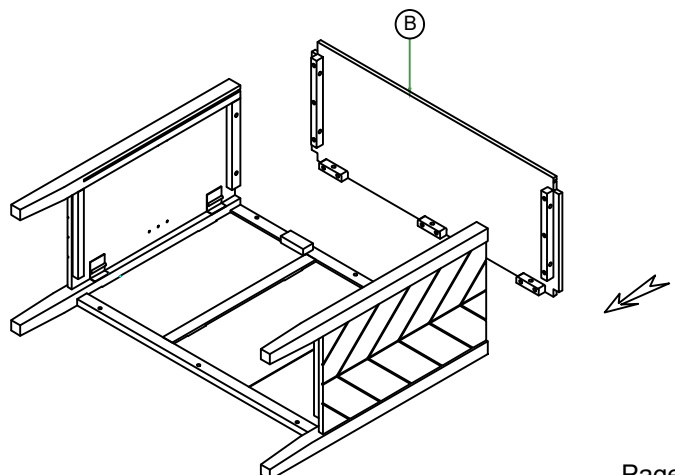
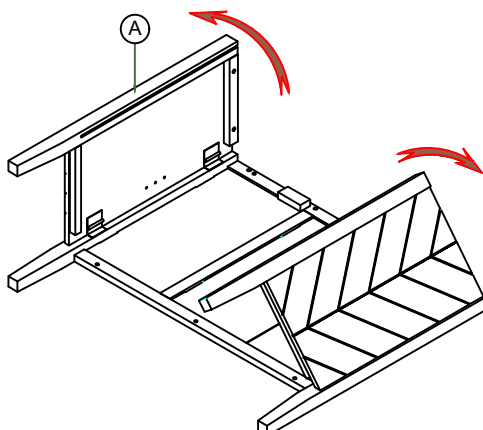
To prevent your furniture from tipping forward it is strongly recommended

that you securely attach this product to a wall or other solid surface, using the anchor straps provided and appropriate fixings.

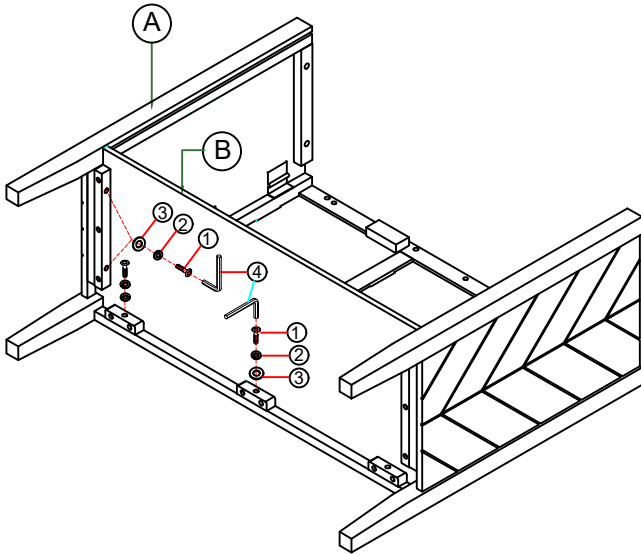
No.	Component	Q'ty
(A)	 Front and Side Body	1
(B)	 Bottom Panel	1
(C)	 Shelf Panel	1
(D)	 Back Panel	1
(E)	 Top Panel	1

No.	Hardware list	Q'ty
(1)	 Bolts 1/4"x35mm	14
(2)	 Spring washers Ø1/4"x 11mm	14
(3)	 Flat washers Ø1/4"x 19mm	14
(4)	 Allen key K4	1
(5)	 Latch Shelf	4
(6)	 Screws #3.5x12mm	4

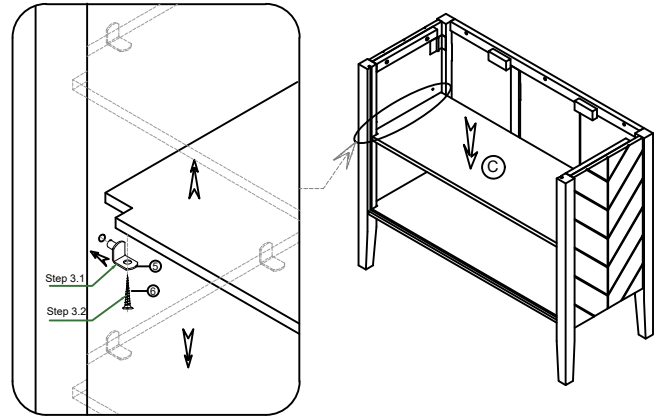
Step 1: Open the Side body and take
Bottom panel put into place under



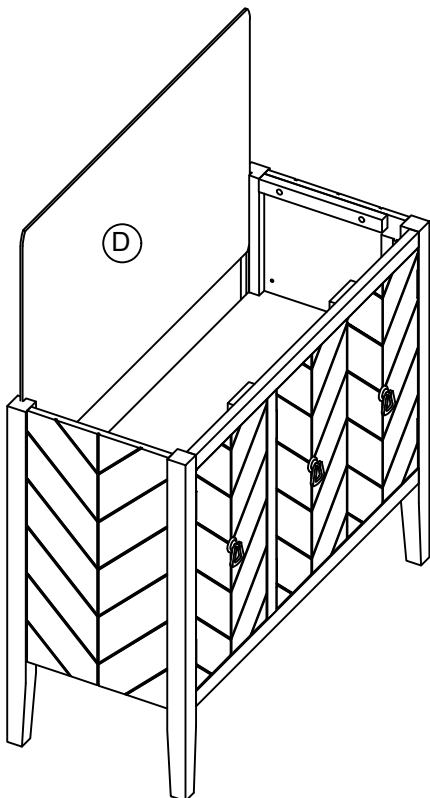
Step 2 : Use Bolts 1/4*35(1)x7
Spring washers (2)x7
And Flat washers (3)x7
Connect (A) and(B)



Step 3 Use latch shelf (5)x4 put into perforation
And take shelf panel put on latch shelf.
After that use Screws (6) x4 full tighten.
Connect (C) and (A)



Step 4
Take the back panel (D)
Put into trench (A)



Step 5

Take the Top panel (E)
Put into (A) . After that Use
1/4*35(1)x7
Spring washers (2)x7
And Flat washers (3)x7
Connect (E) and(A)
The end use Allen Key (4)
full tighten all bolts.

