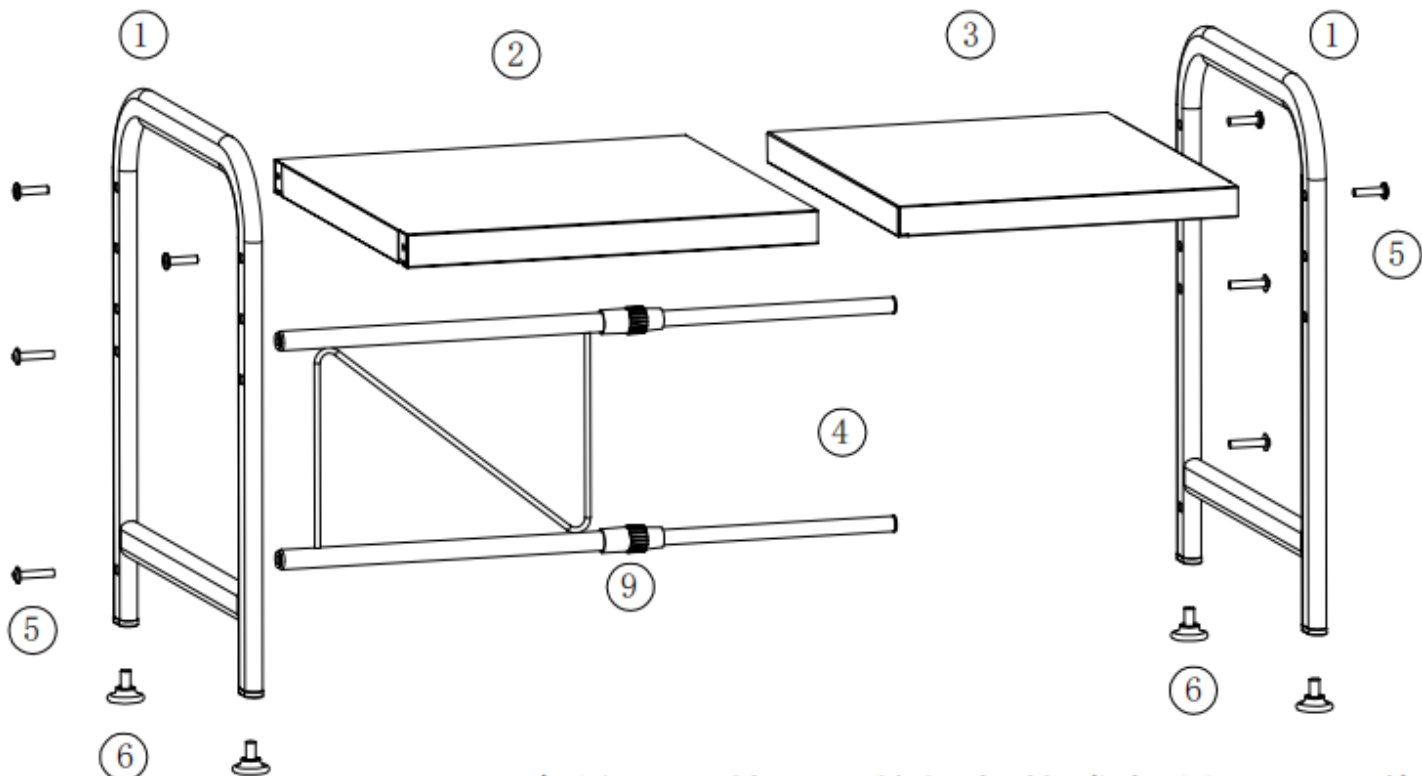


Elliptical Tube - Tabletop Microwave Oven Rack - Installation Manual

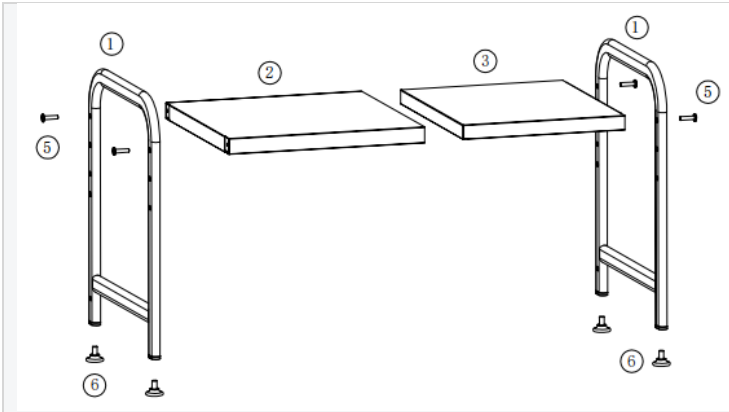


Note: The specific configuration varies depending on the style, and this image is for reference only.

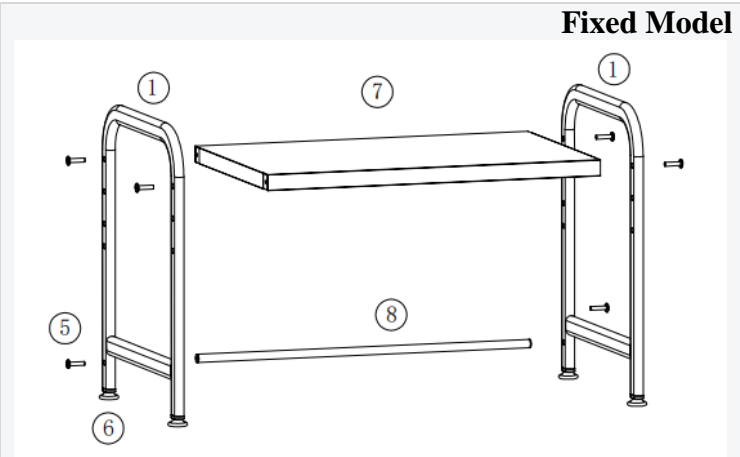
- ① Side Frame 2
- ② Movable A Board X
- ③ Movable B Board X
- ④ M-type Bracket X
- ⑤ M6 Screw X
- ⑥ Adjustable Foot Pad 4
- ⑦ Fixed Shelf X
- ⑧ Connecting Pipe X
- ⑨ Adjustment Nut X

Note:

X indicates that the quantity of the accessory varies depending on the configuration.

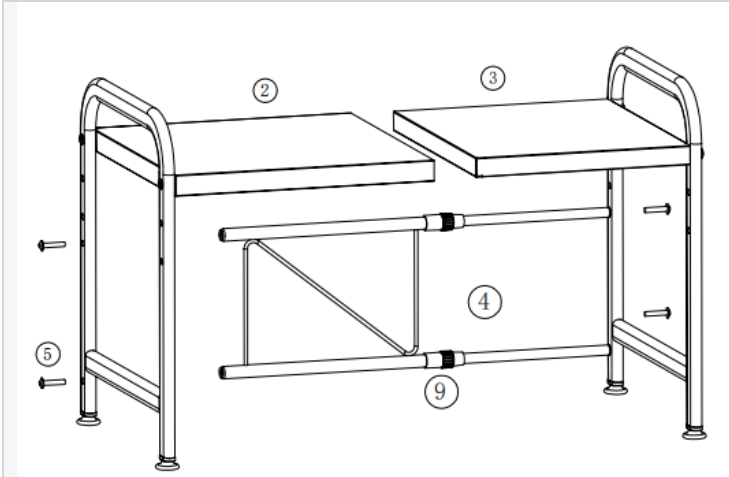


Step 1:
 Lock the movable A board to the side frame with screws, and lock the movable B board to the side frame with screws; Then screw the adjusting foot pad onto the side frame, the screw cannot be tightened.

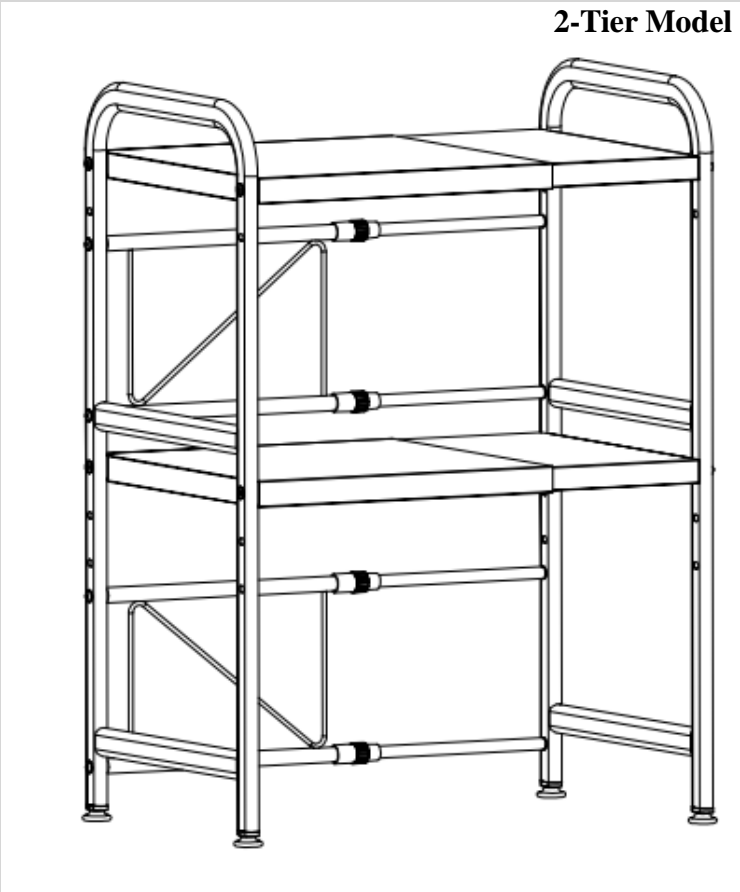


Fixed Model

Installation:
 Lock the fixed shelf to the side frame with screws, and fix the connecting pipe to the side frame with screws; Then screw the adjustable foot pad onto the side frame, level the frame, and tighten all screws to complete the installation.



Step 2:
 Insert movable A board into movable B board, loosen the adjustment nut, lock the M-type bracket to the side frame with screws, pull the side frame to adjust to the appropriate size, tighten the adjustment nut, then level the frame, tighten all nuts, and complete the installation.



2-Tier Model