

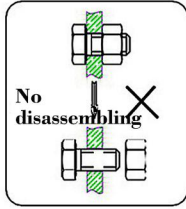
# User's Manual



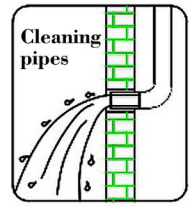


# INSTALLATION STEPS

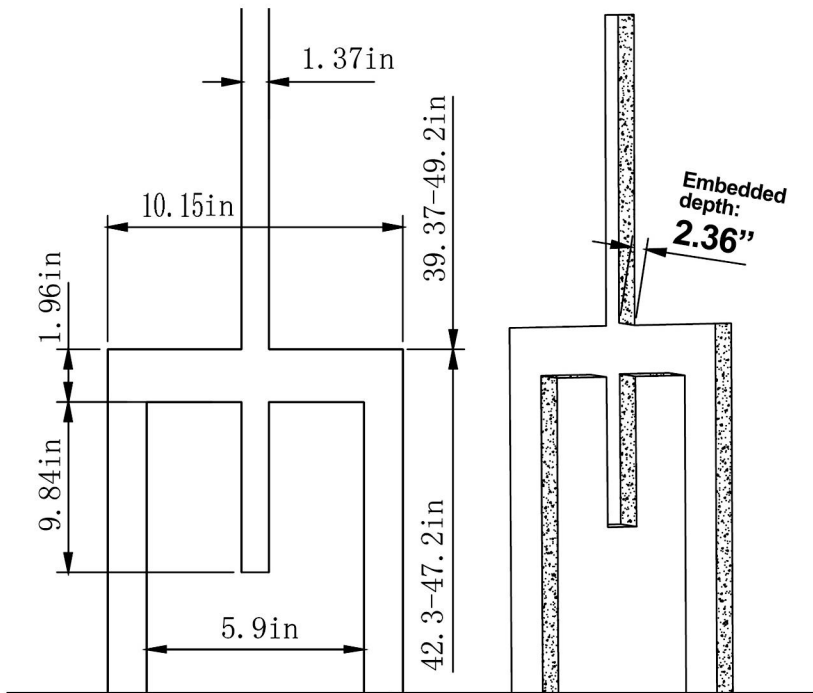
This product has been inspected and debugged by the factory to the best condition. Please do not disassemble and assemble it yourself.



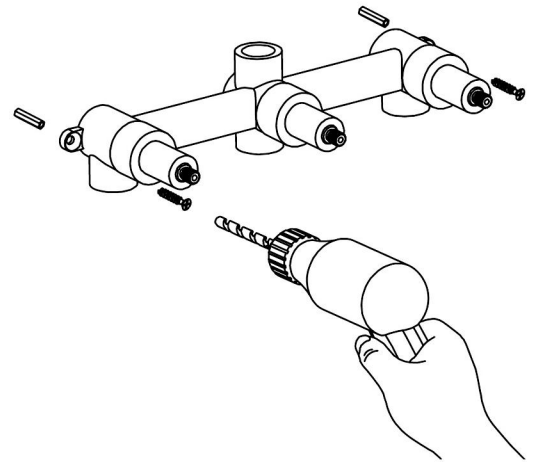
Before installing the faucet, please be sure to remove sundries and sludge from the water pipe to prevent sundries from blocking the faucet.



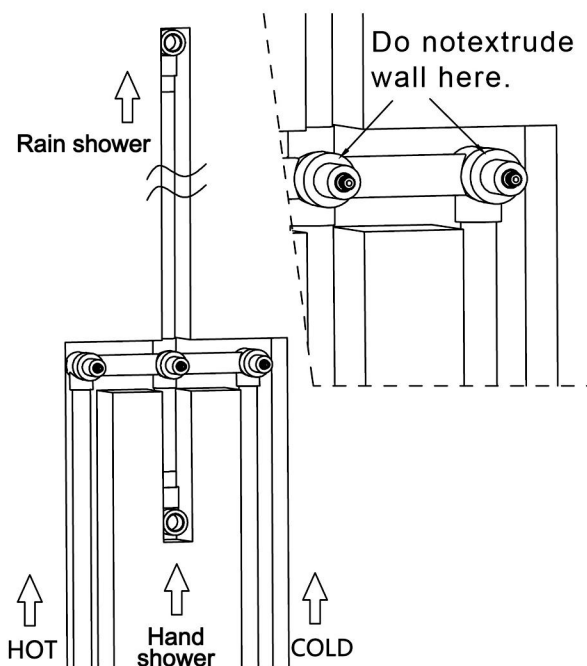
## 1. Build a groove in the wall.



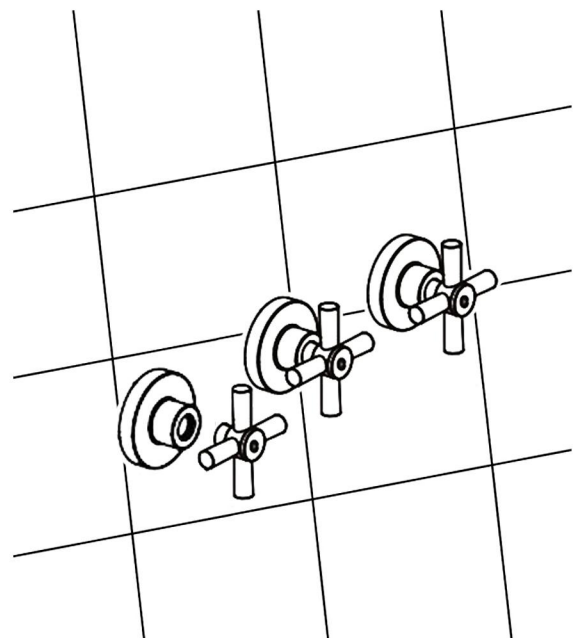
## 2. Fix the body with self-tapping screws .



## 3. Mount the body, inlet and outlets.

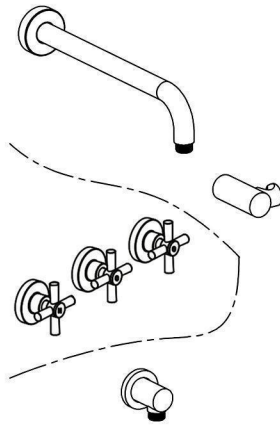


## 4. Mount Cover and Rotor.

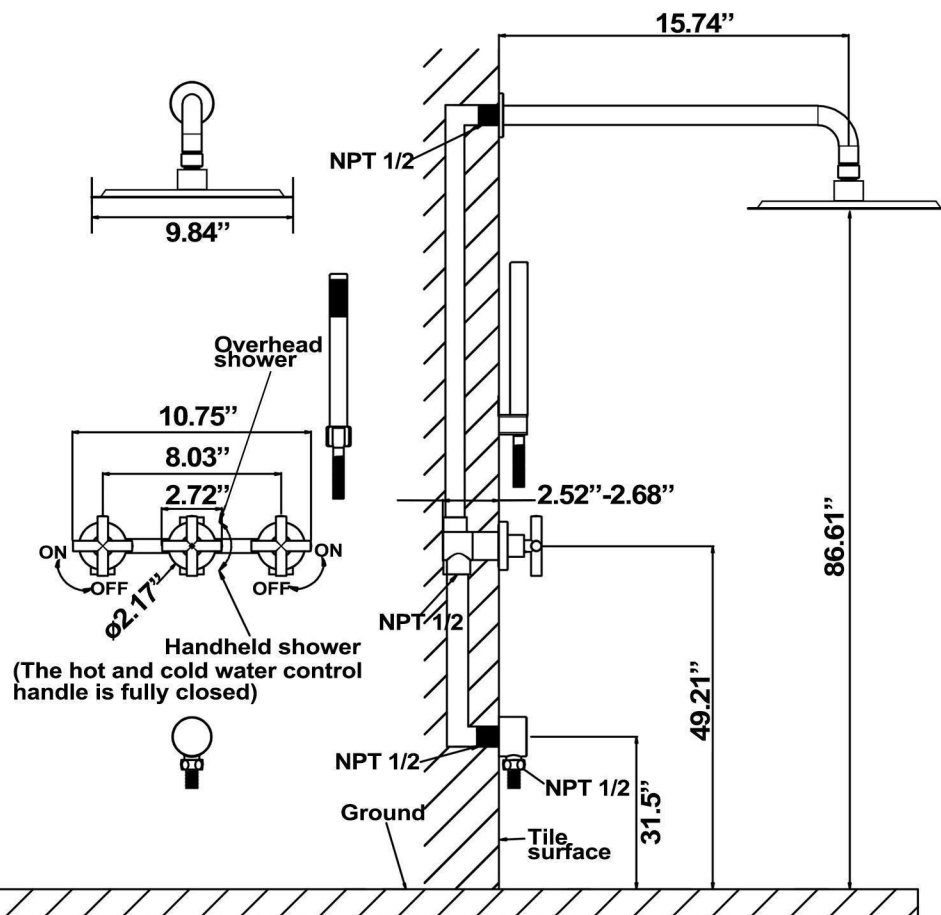
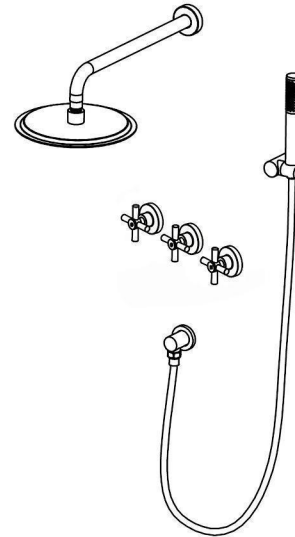


# INSTALLATION STEPS

5. Mount Holder for top sprayer, outlet for top sprayer and holder for handheld sprayer. Convolve teflon taperround screw.



6. Mount Top sprayer and Handheld sprayer.



The image shown here is indicative only, you can install the height according to your needs.

## CLEANING CARE

In order to keep the appearance of faucet clean, bright and good performance, please take care of the faucet as follows;

1. Rinse with water only and dry with soft cotton cloth;
2. Use mild liquid and colorless glass cleaner to remove surface dirt and scale film, or use polish without abrasive effect;
3. Do not use abrasive detergent, polish, emery cloth, paper towel or scraper, etc.;
4. Do not use acid cleaner, or cleaner and soap with insoluble gran etc.;
5. In the process of use, mud may accumulate in the bubbler and make the water flow show, The bubbler can be unscrewed, rinsed with water. and then installed back in place.



