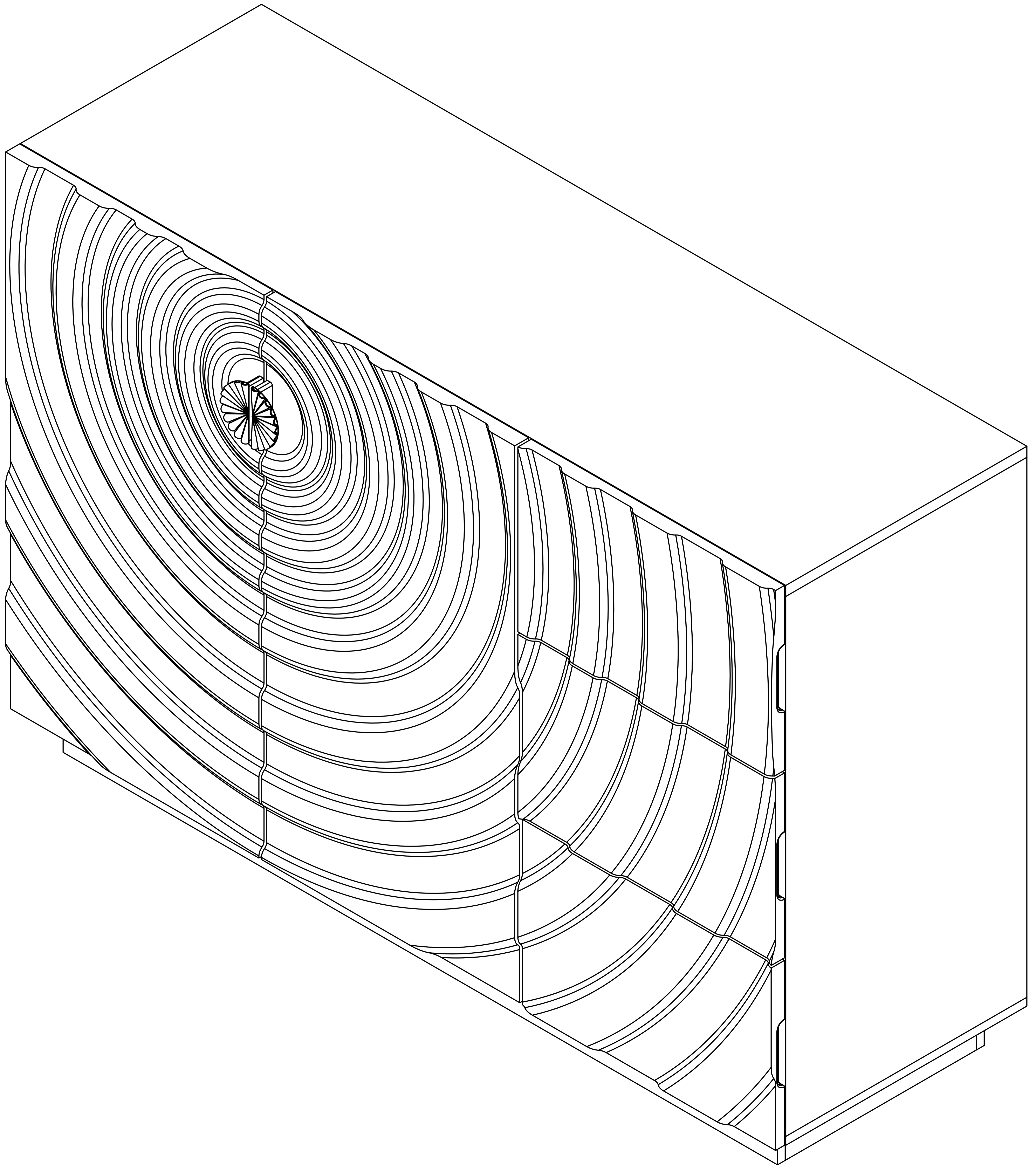
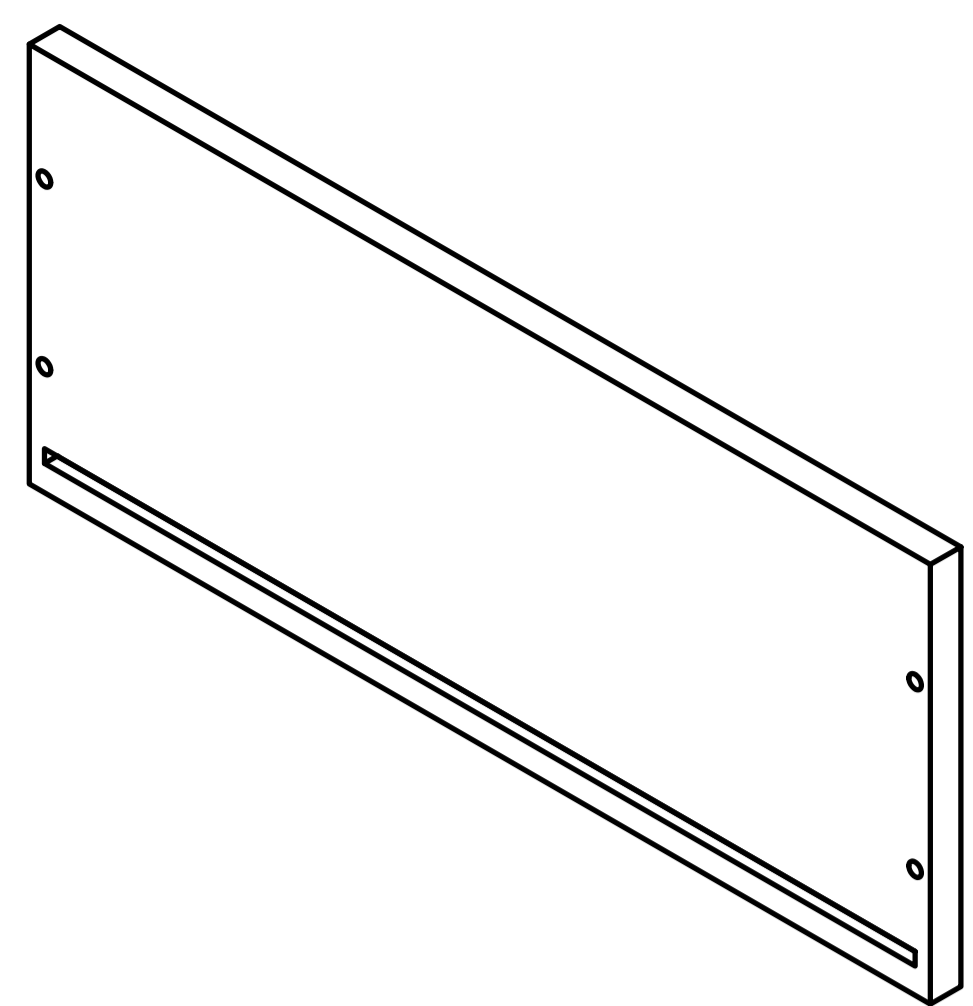
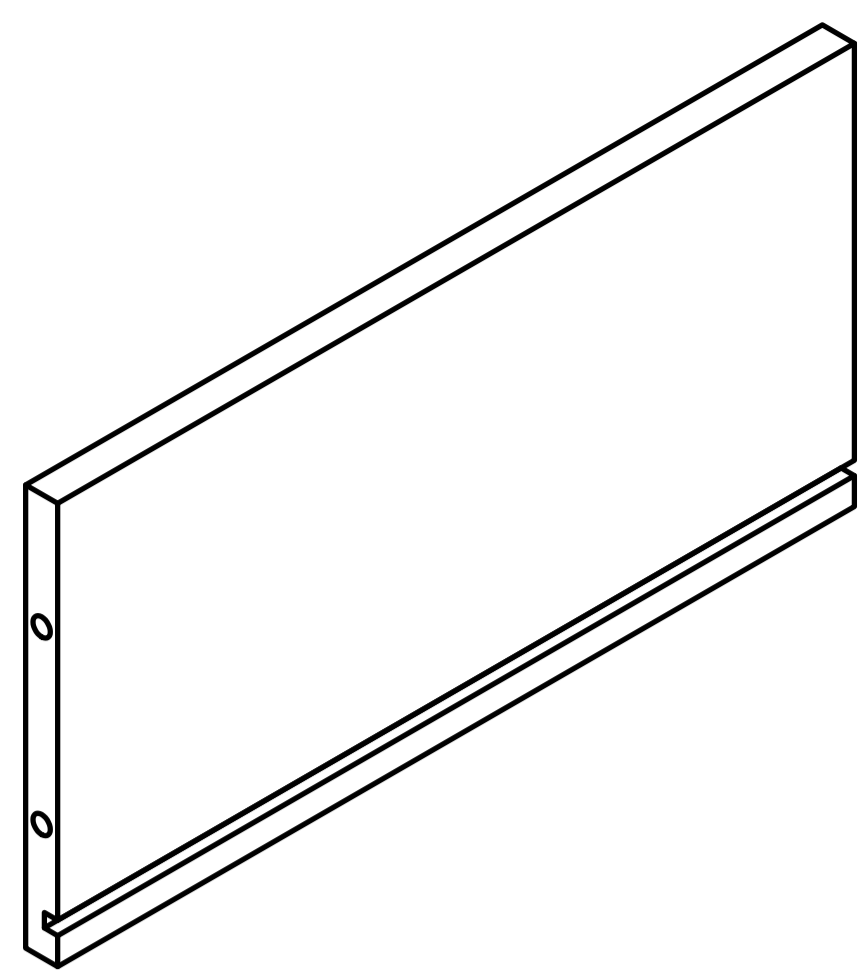


Product Installation Instructions

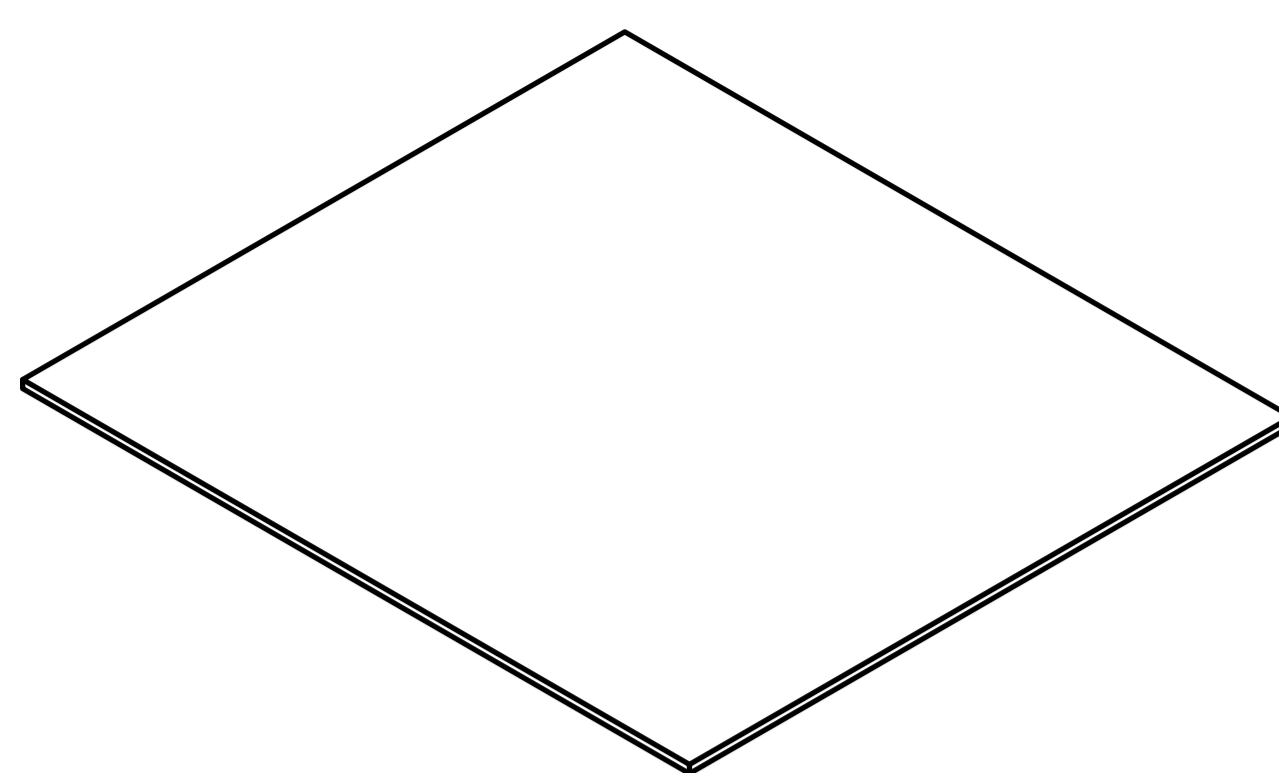




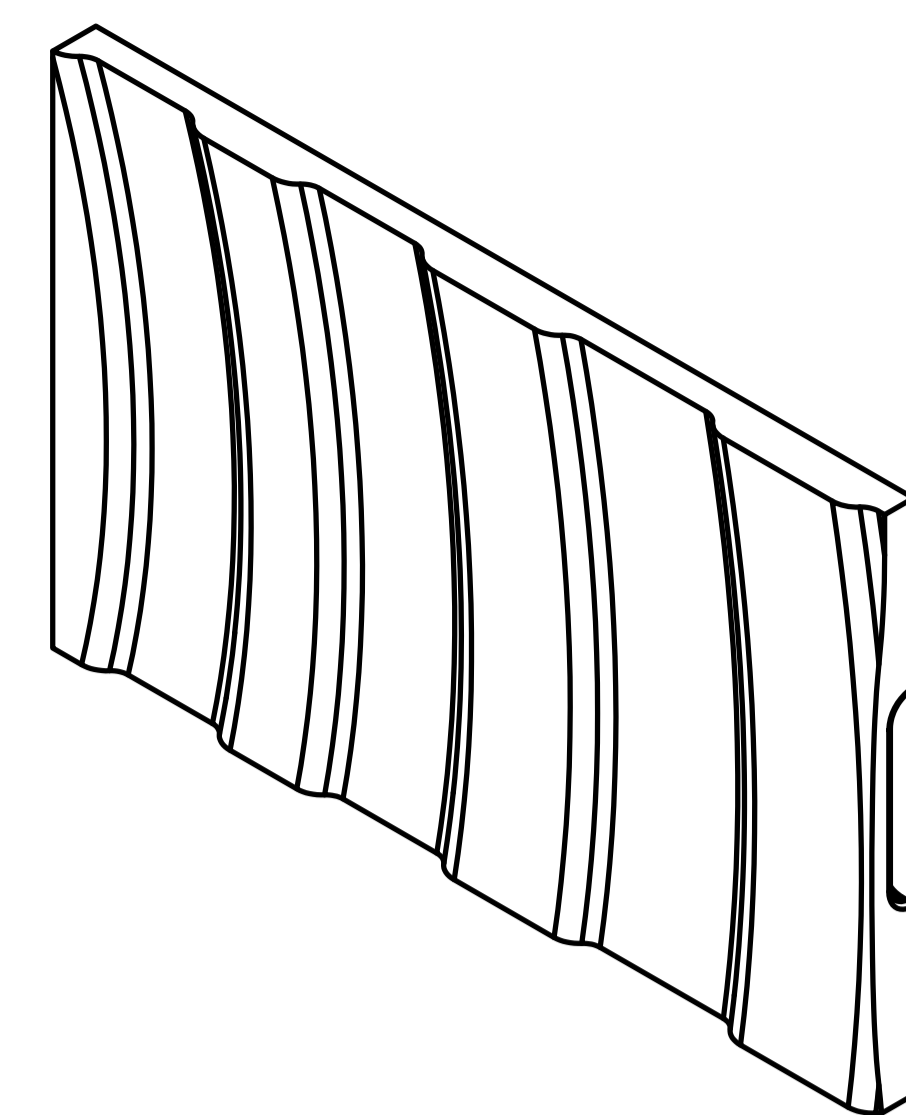
A x3



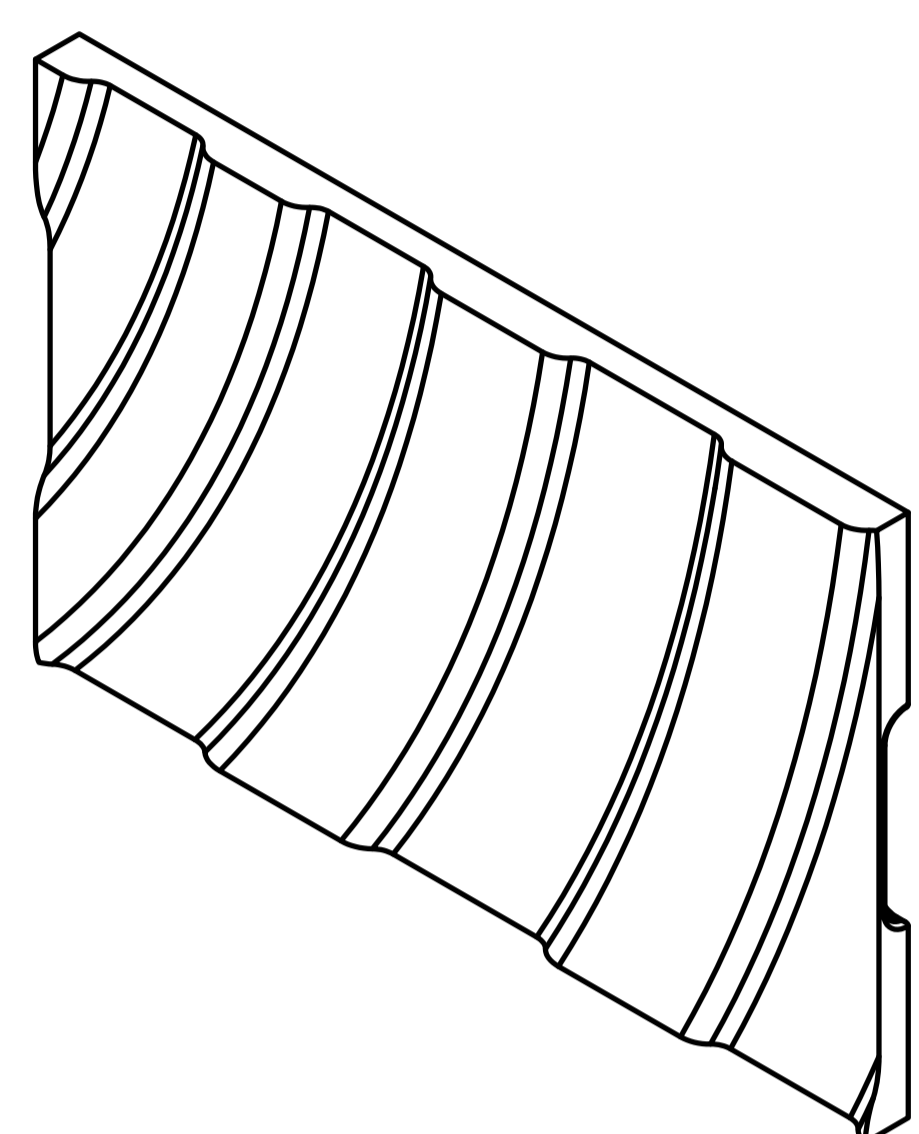
B x6



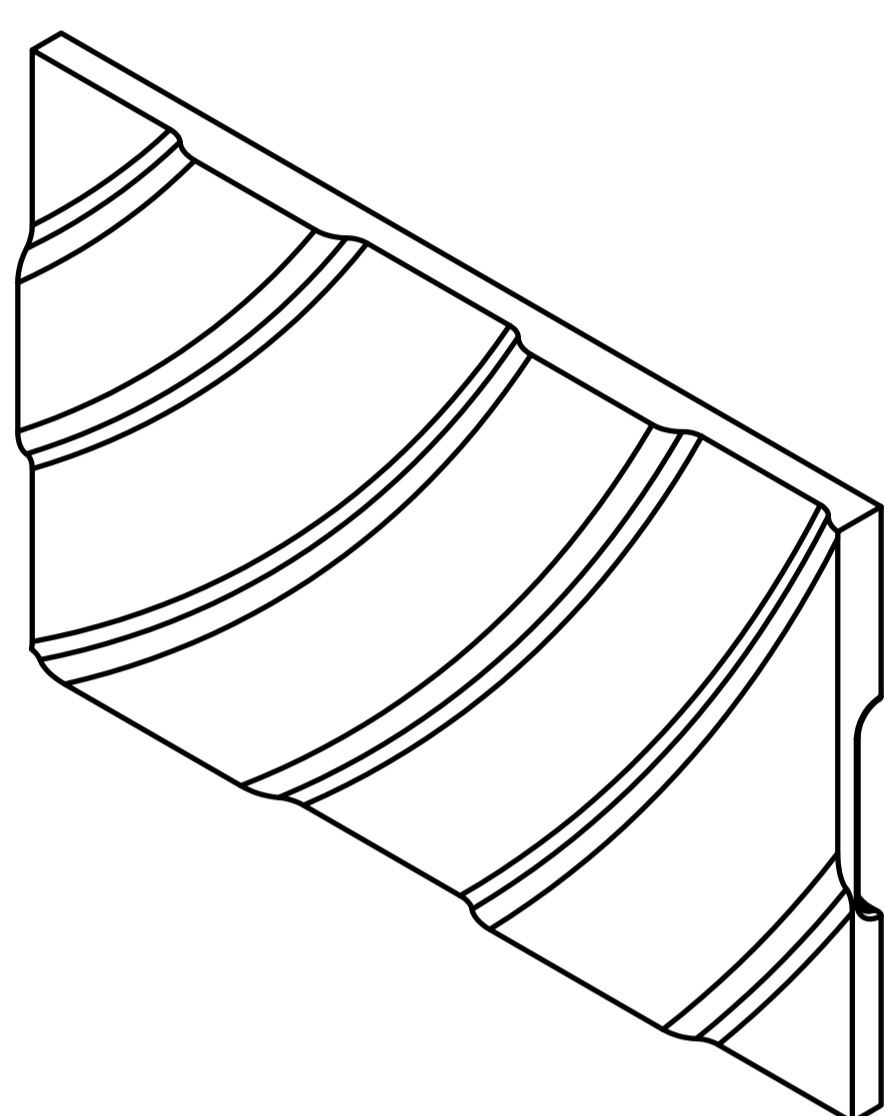
C x3



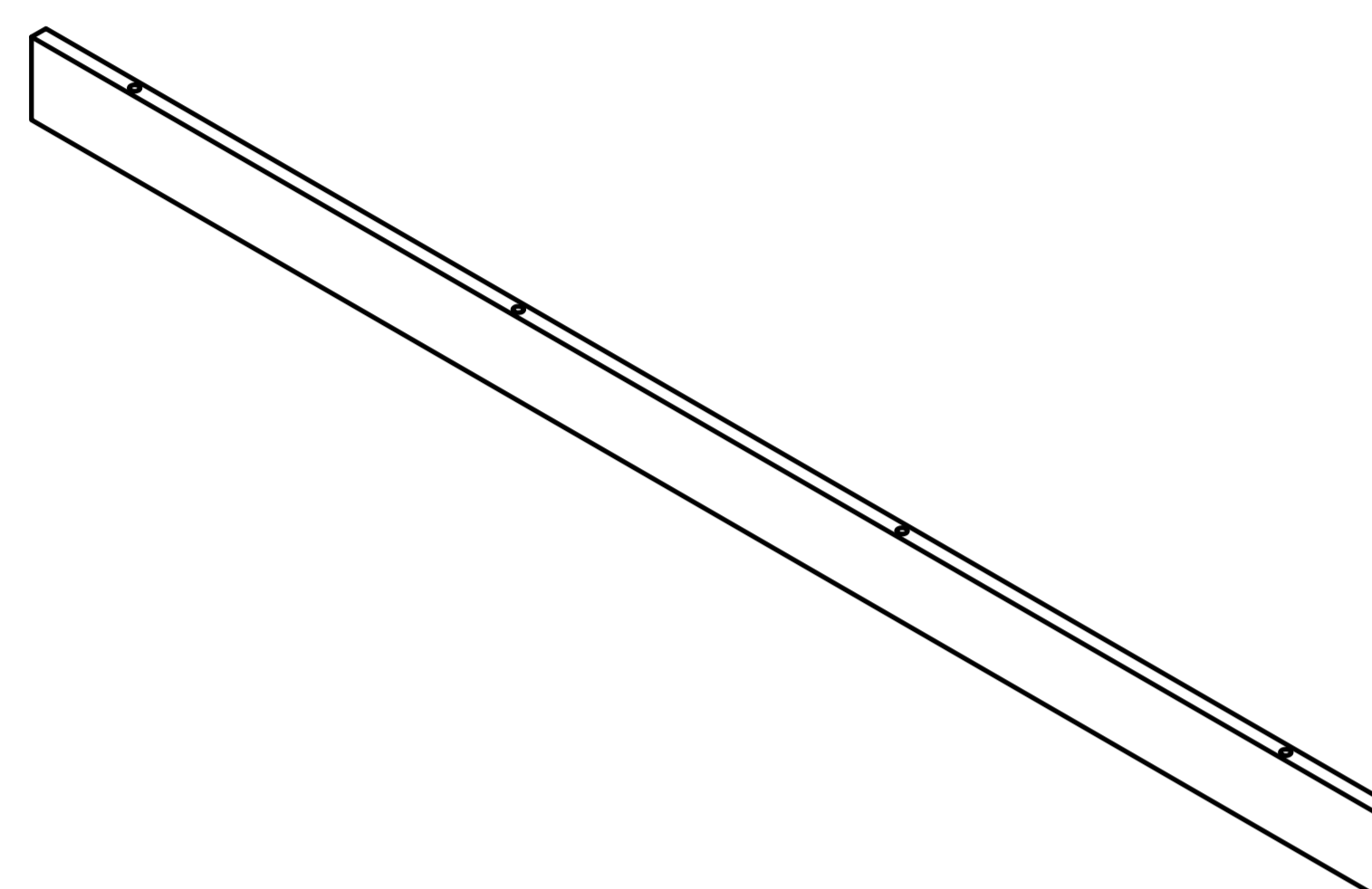
D x1



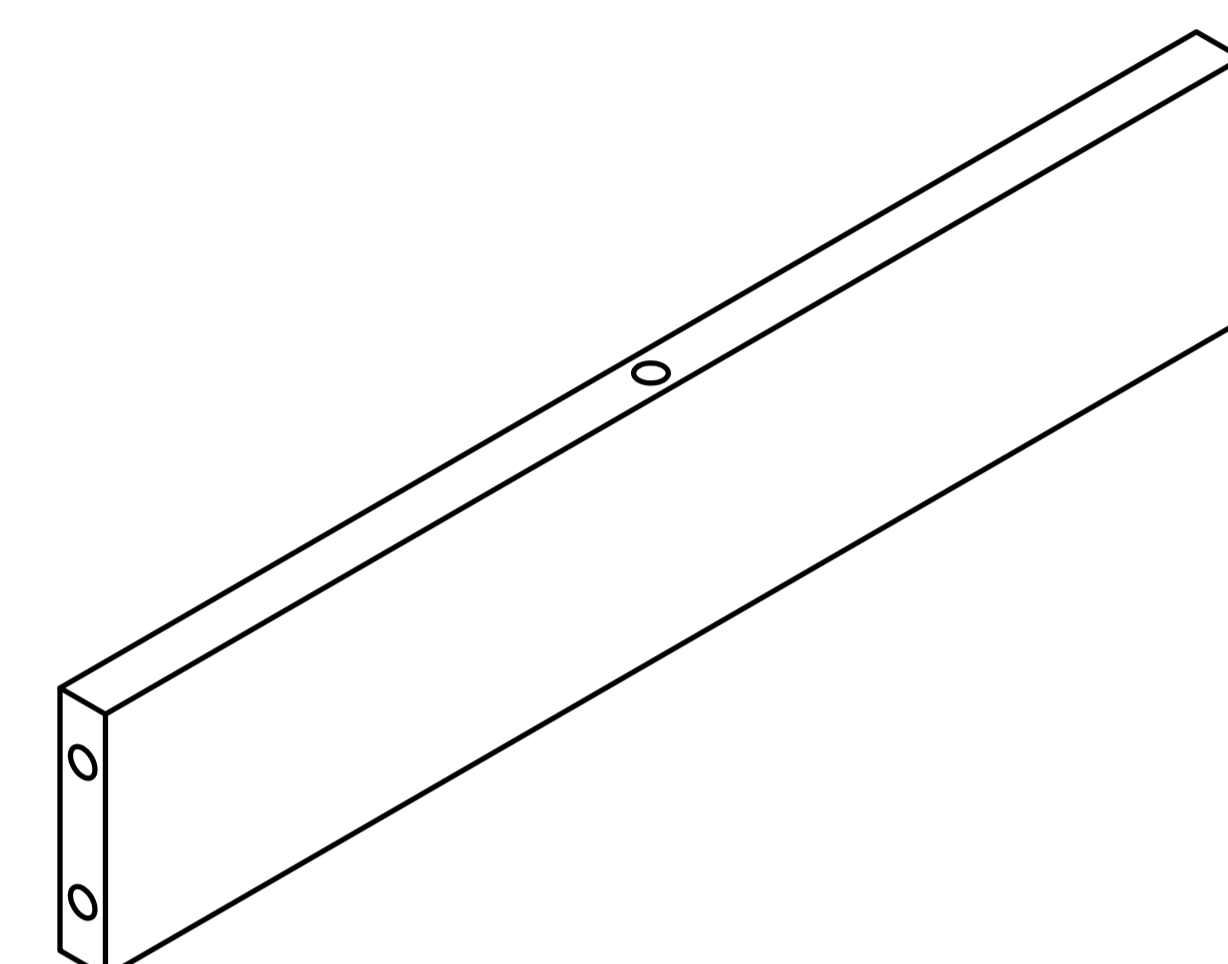
E x1



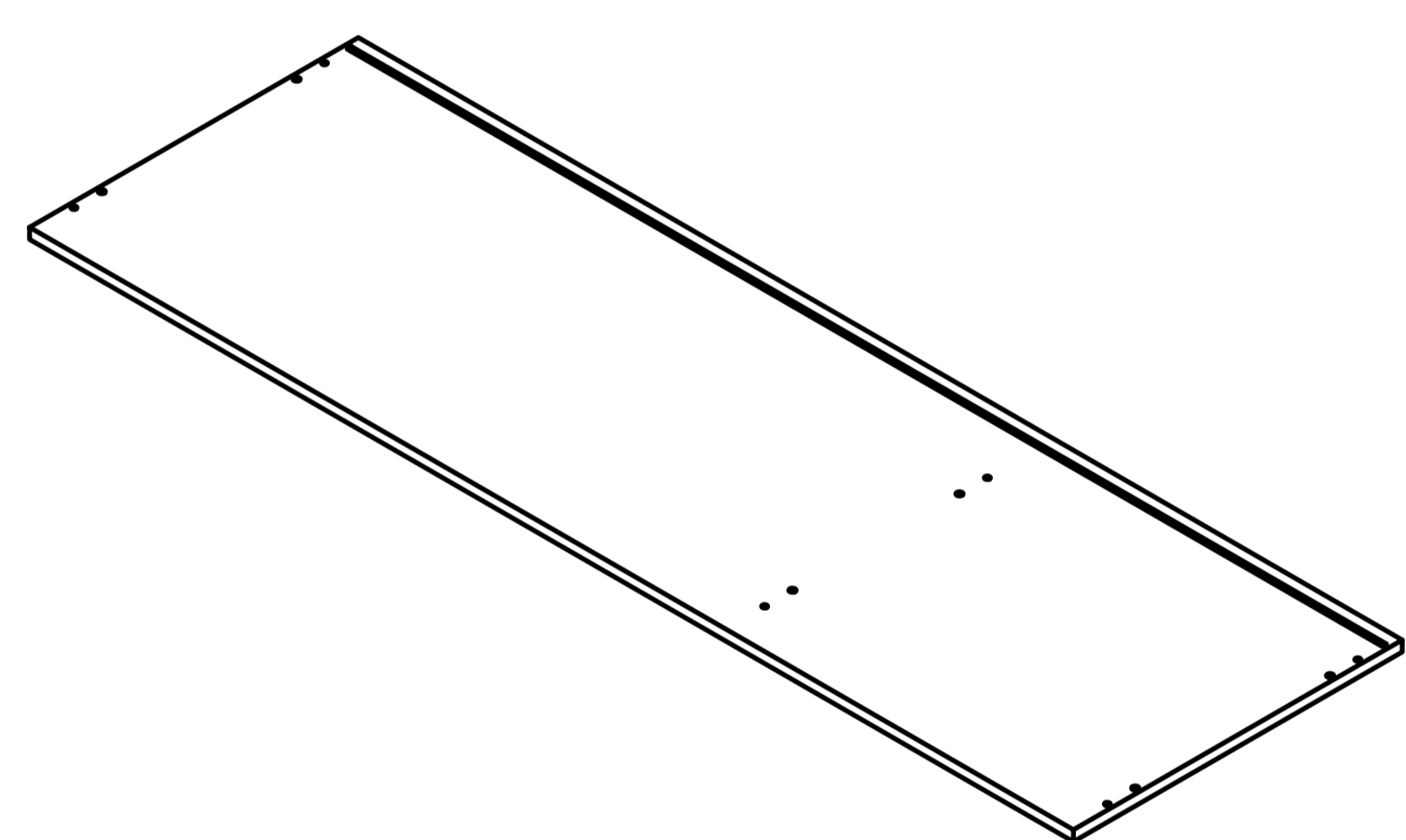
F x1



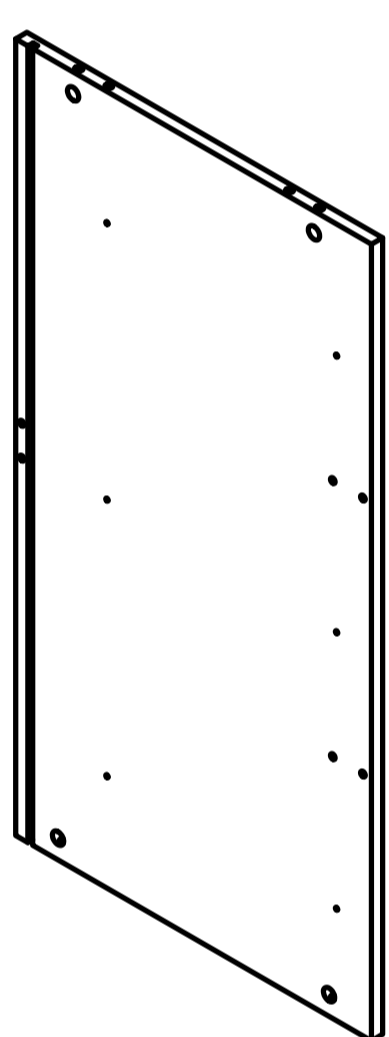
G x2



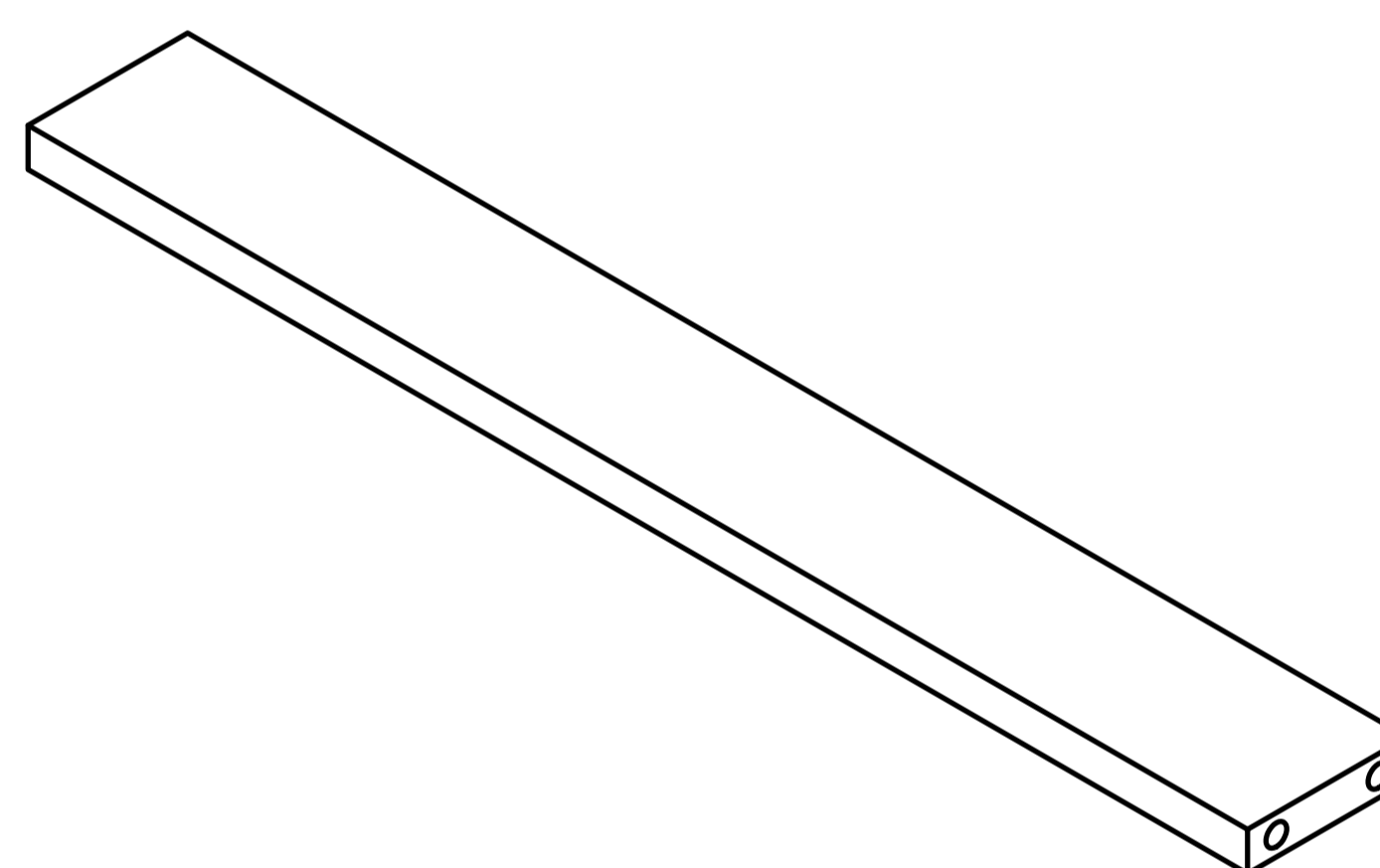
H x2



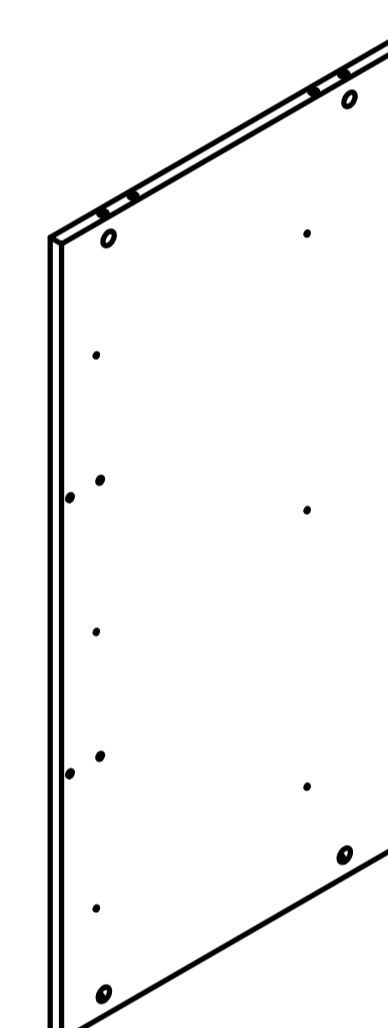
I x1



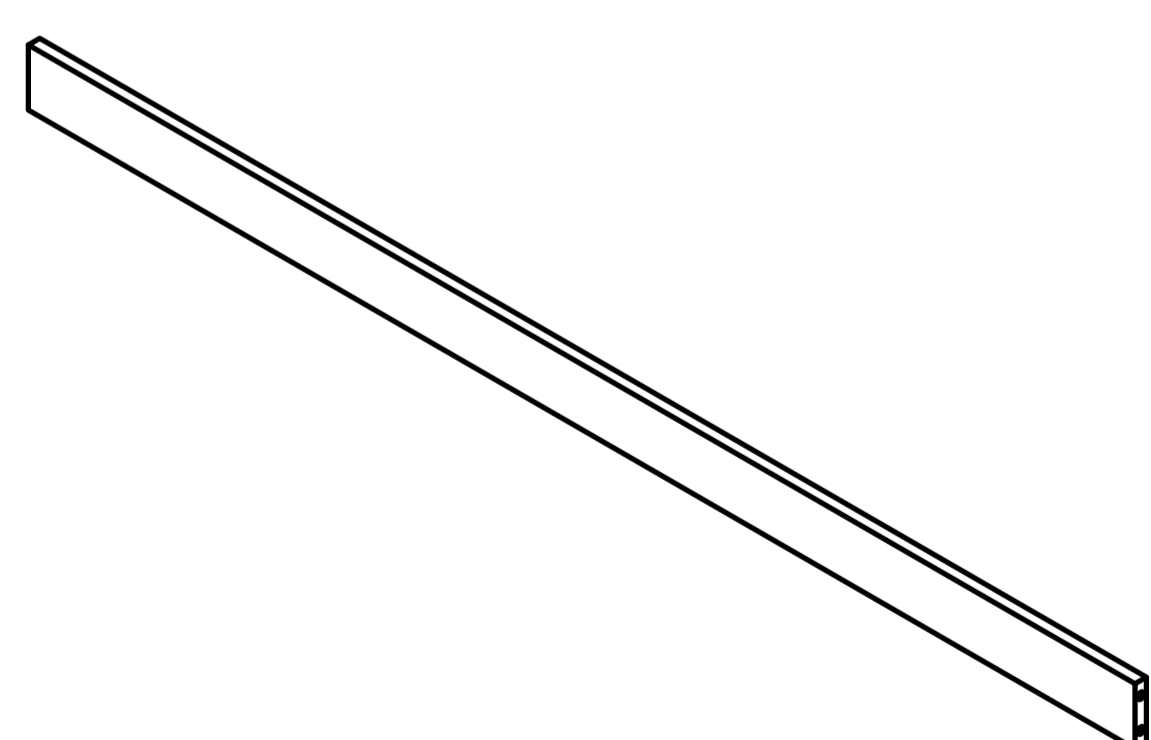
J x1



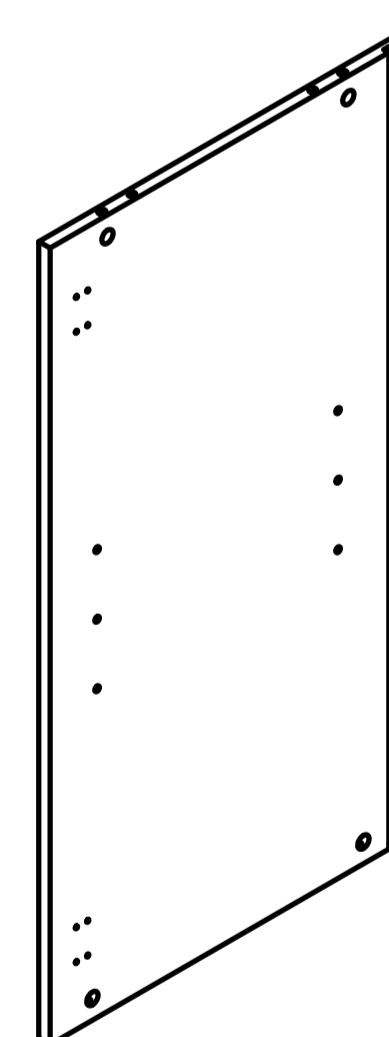
K x2



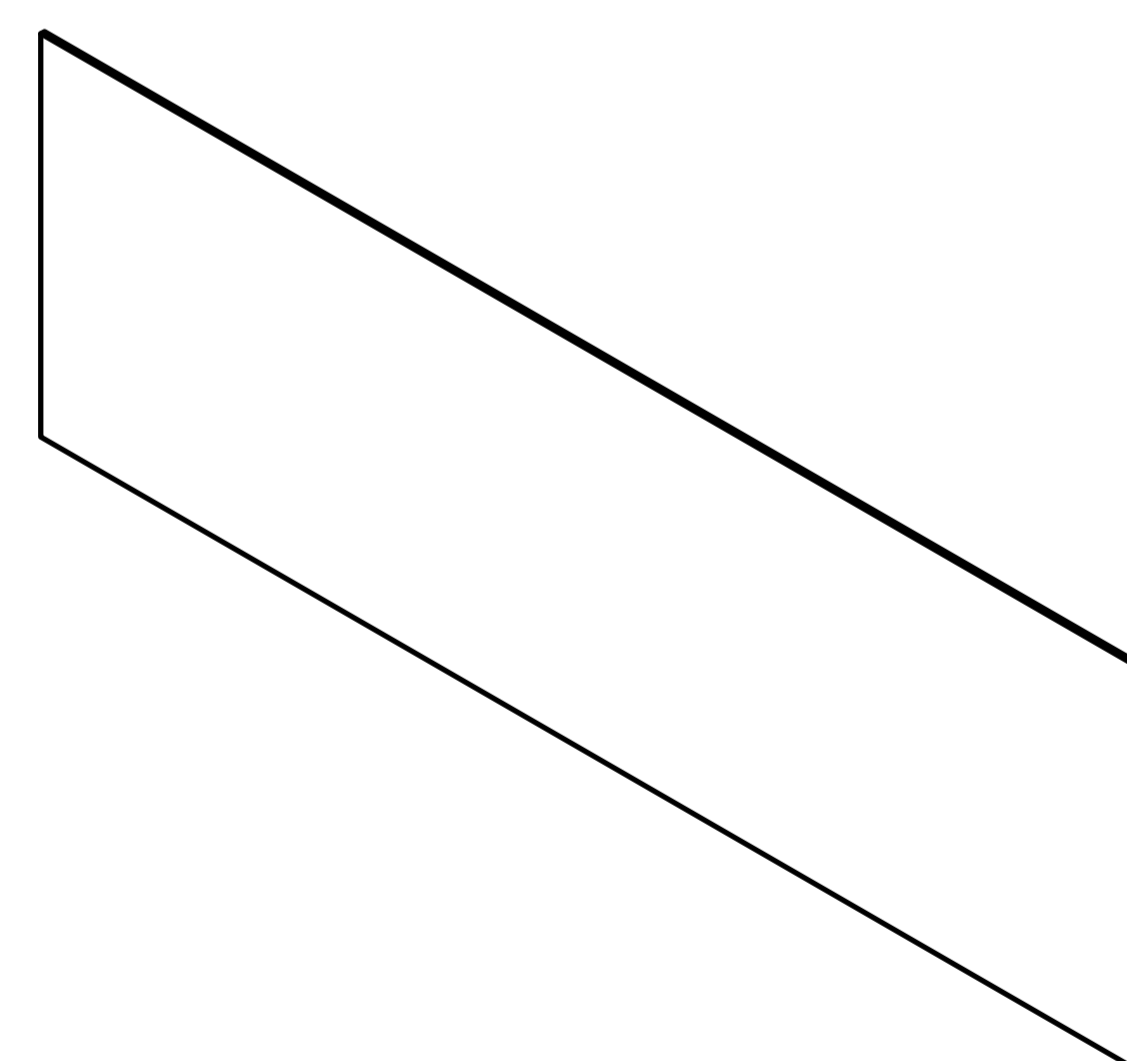
L x1



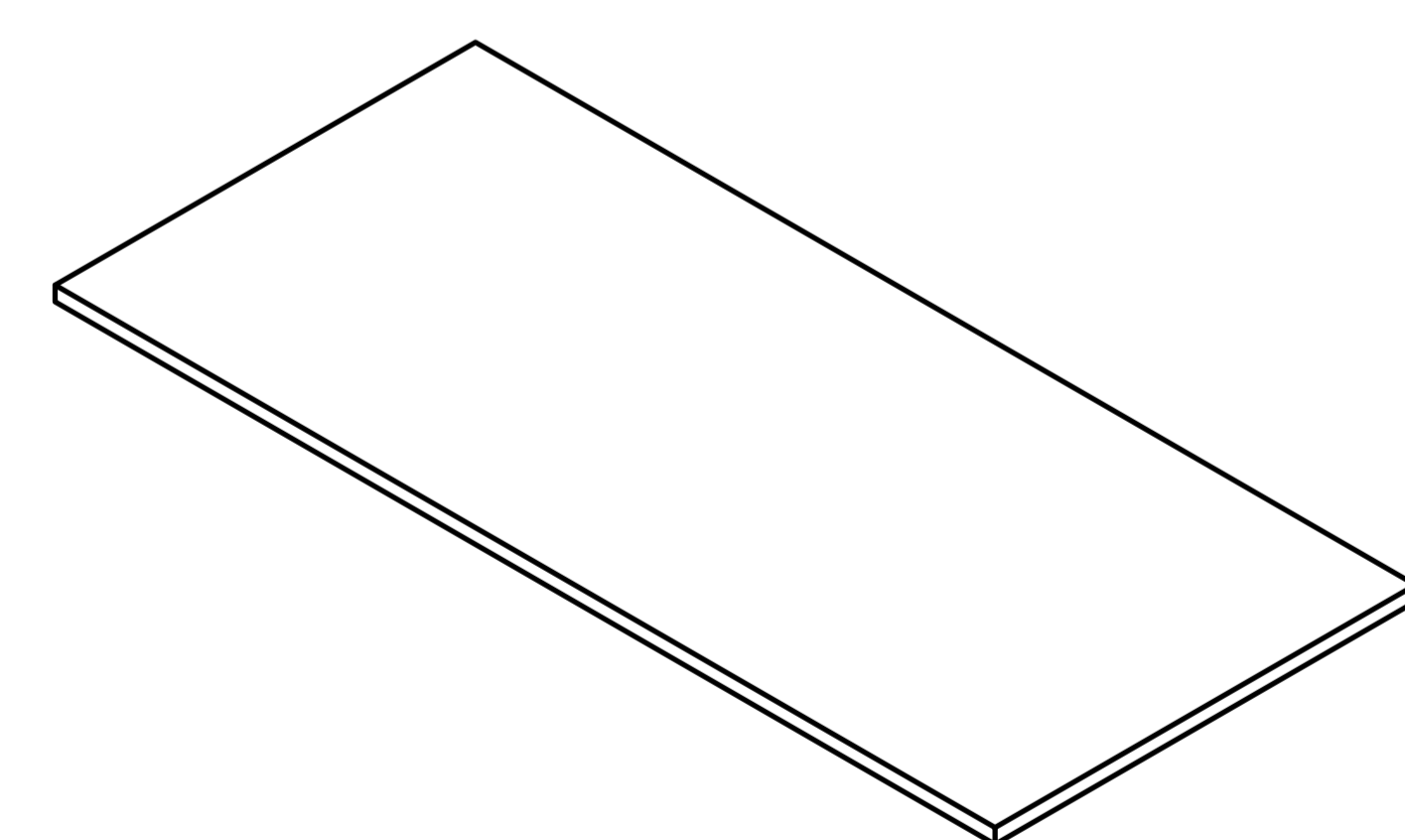
M x1



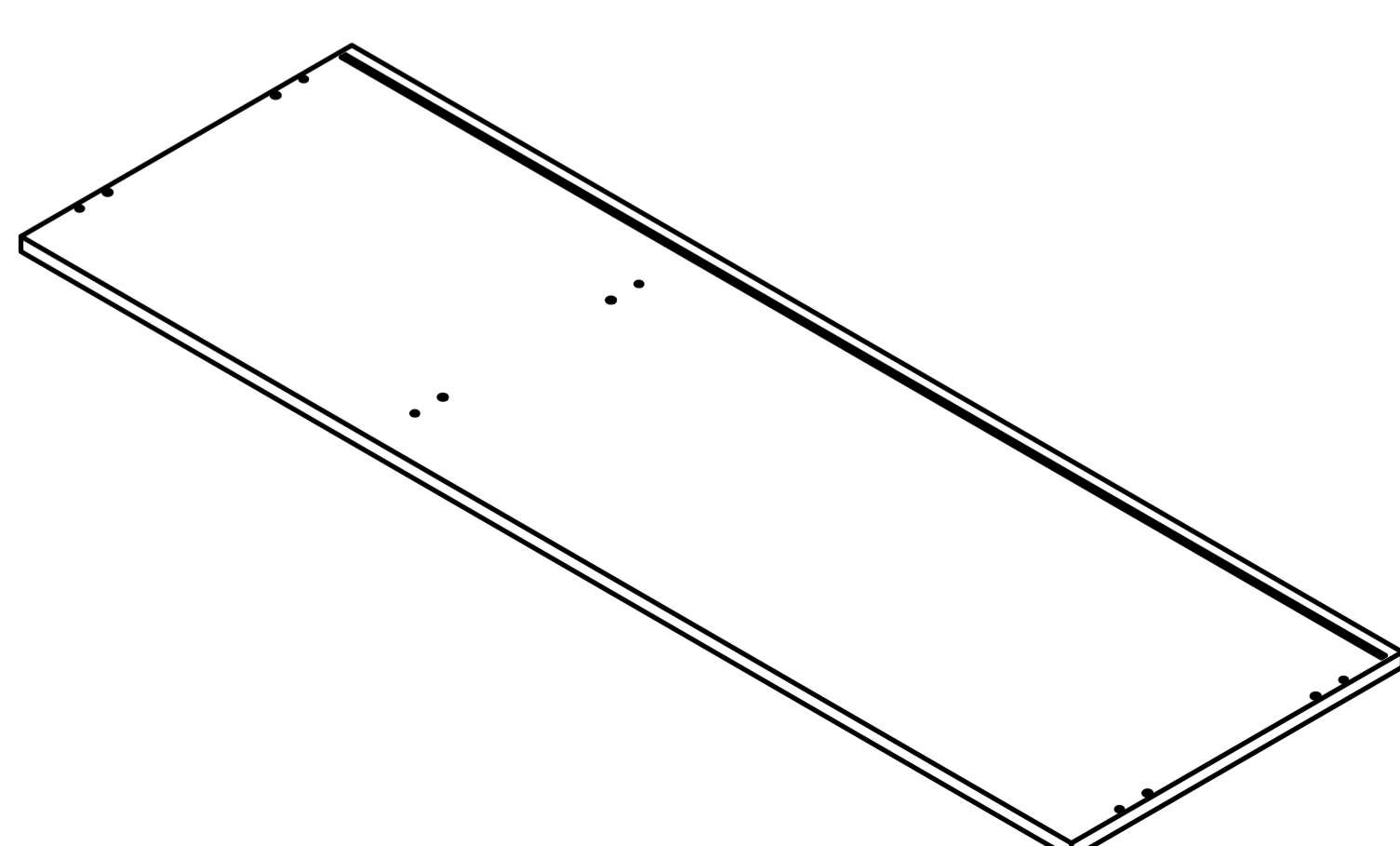
N x1



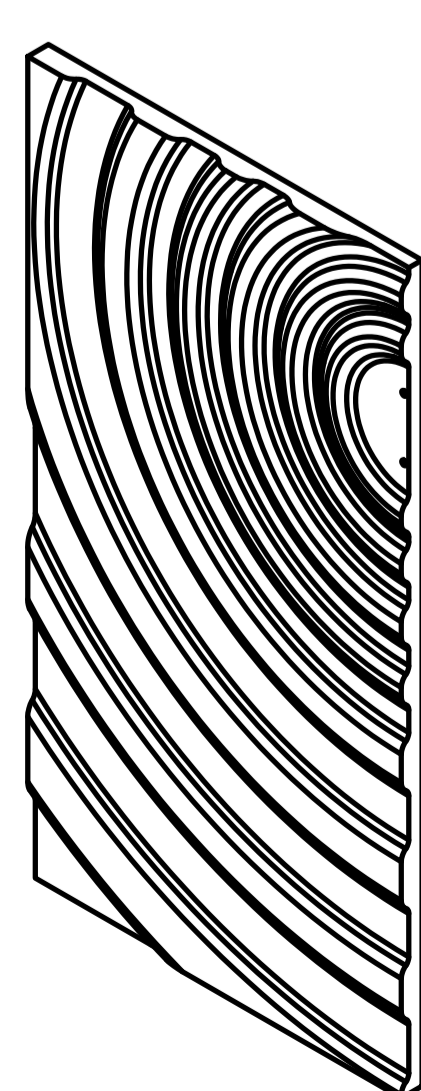
O x2



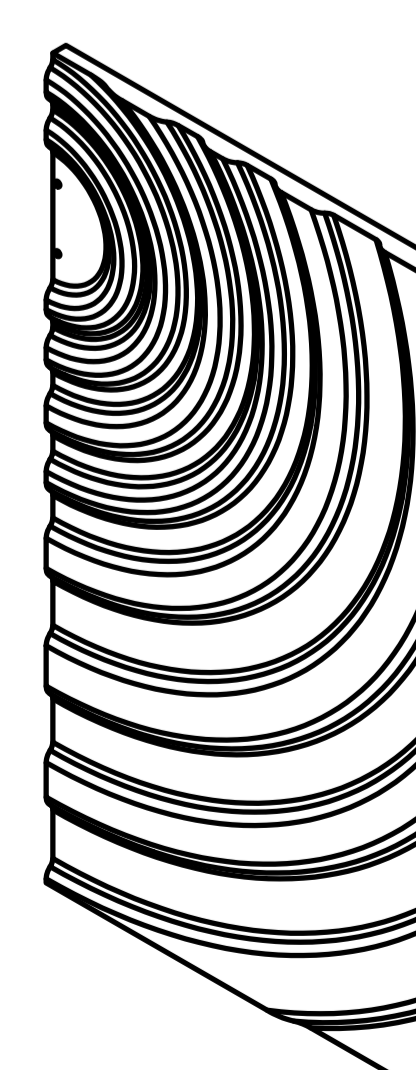
P x1



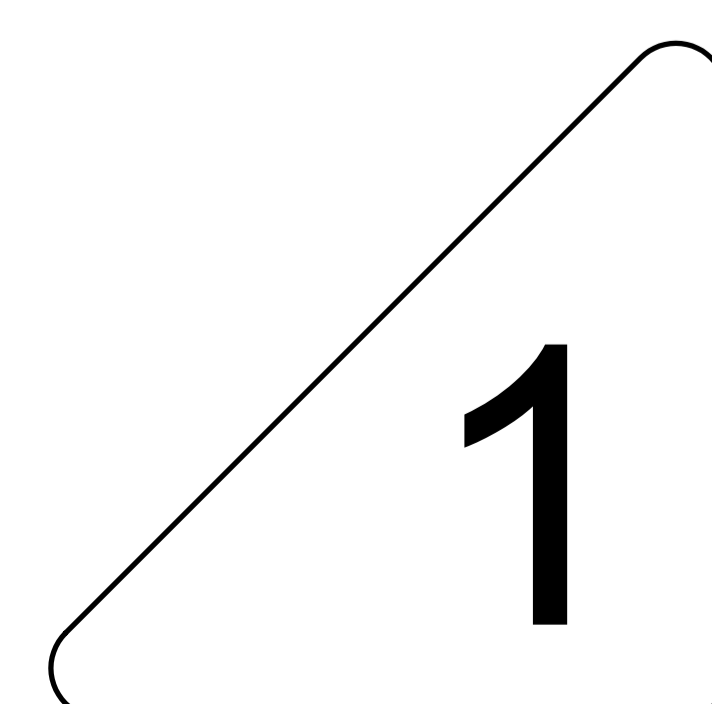
Q x1



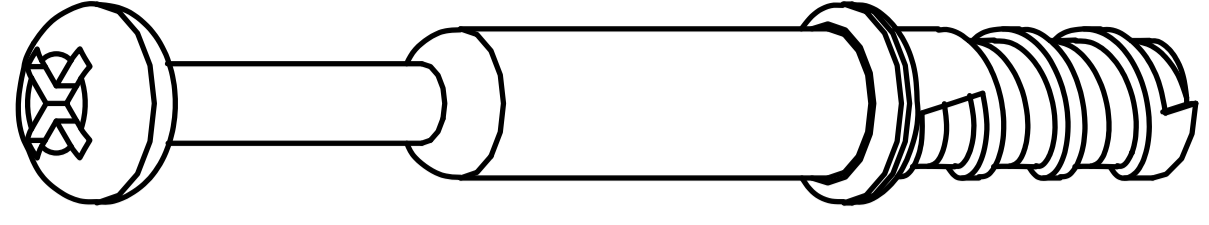
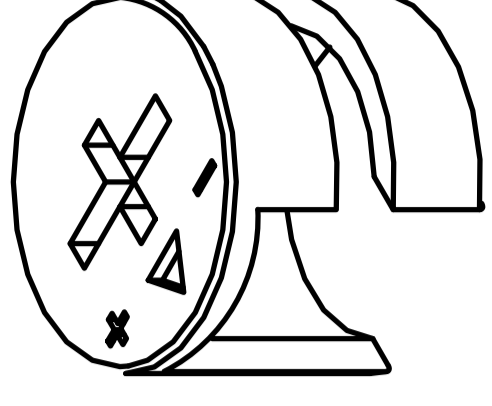

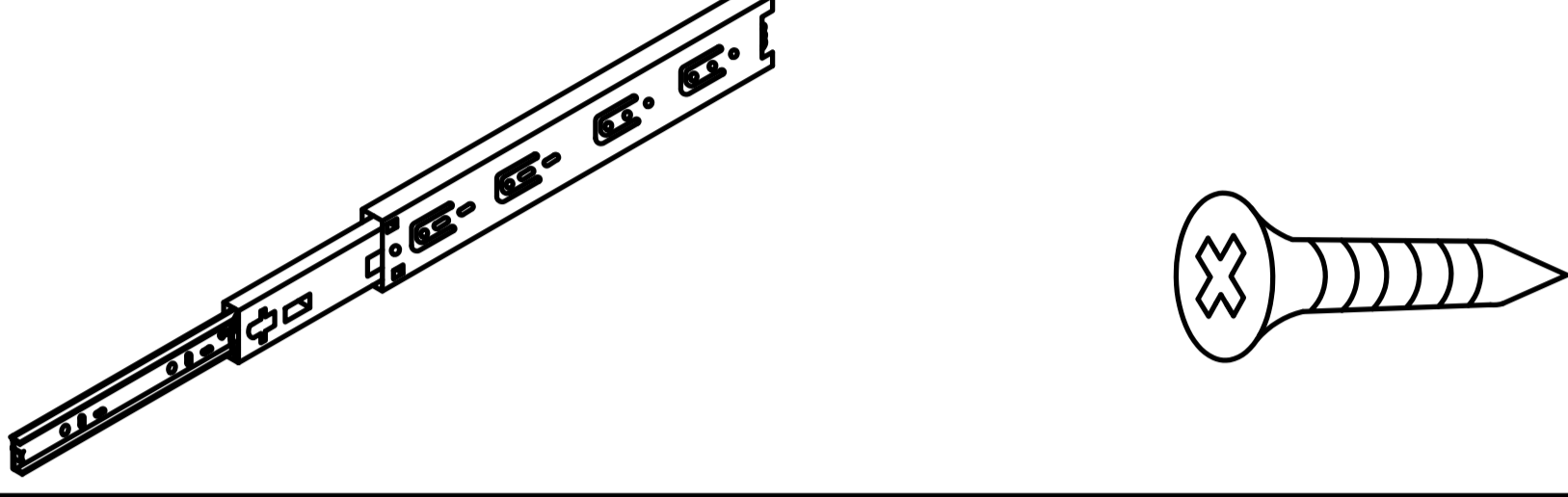
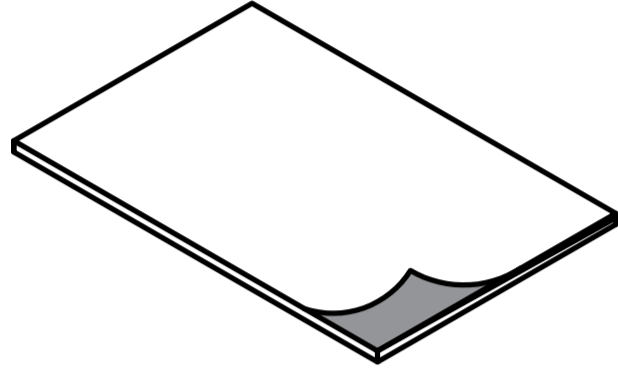
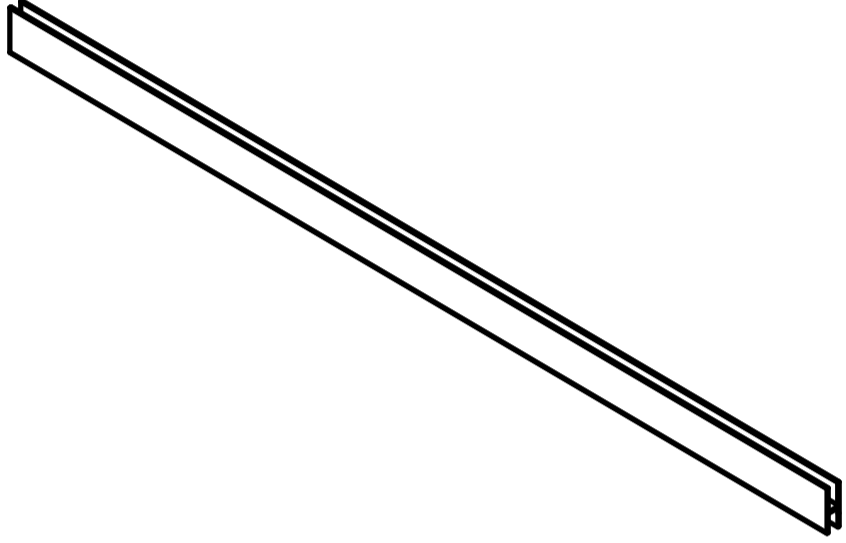
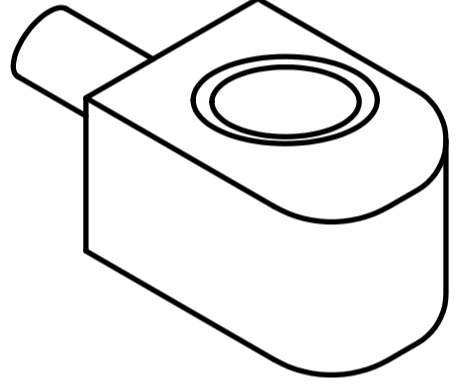
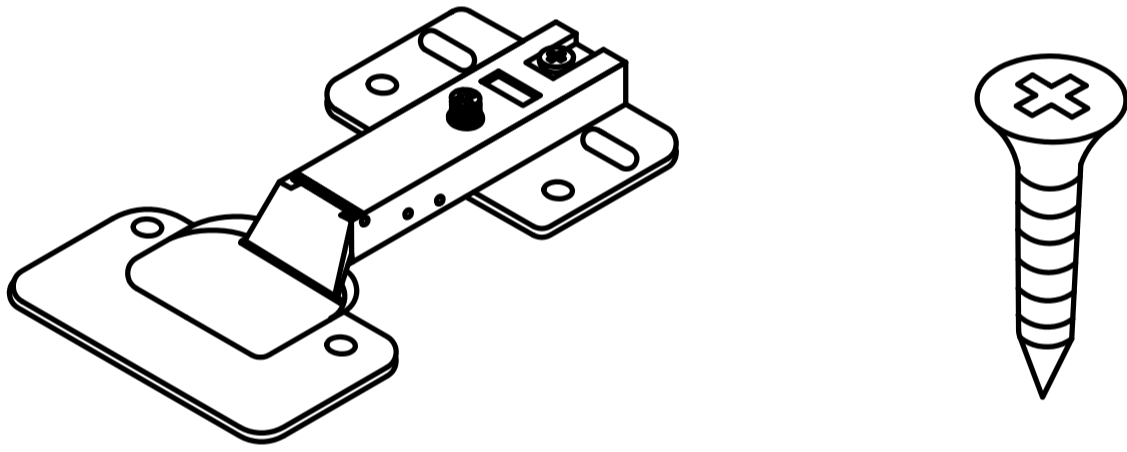
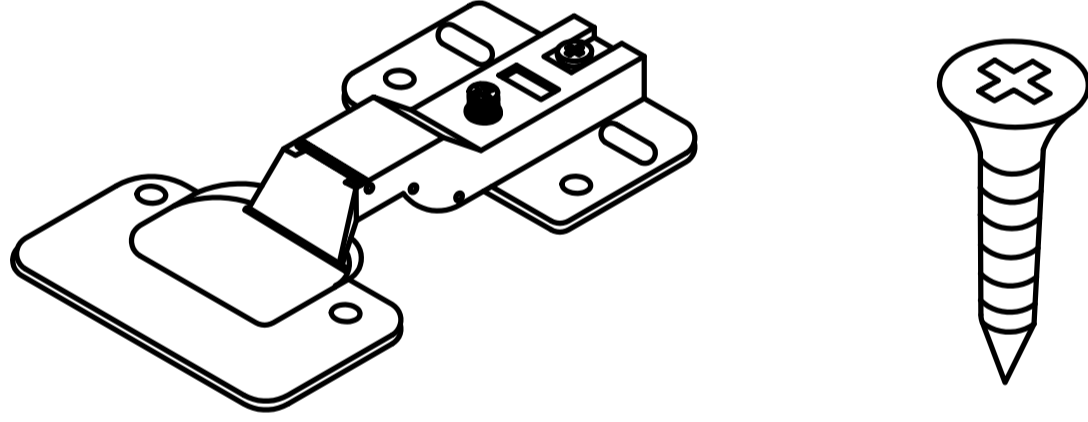
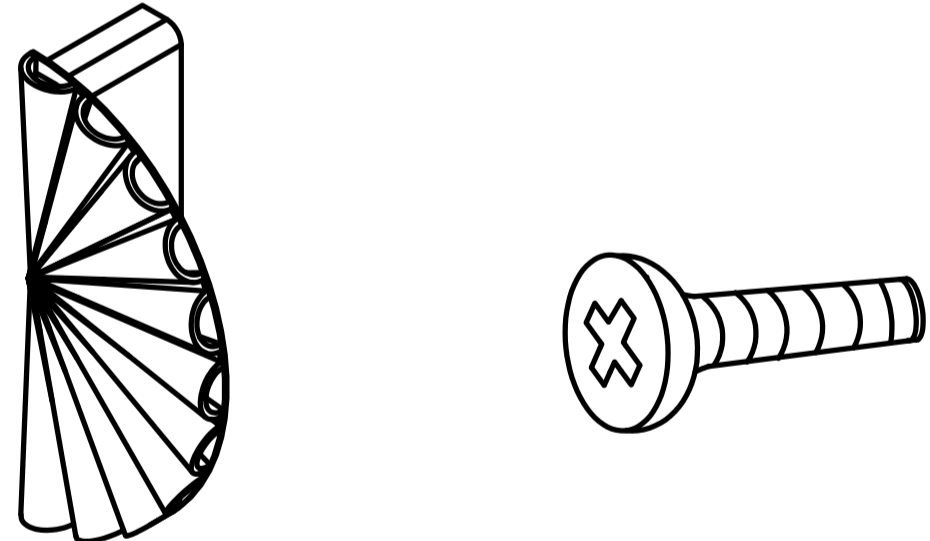
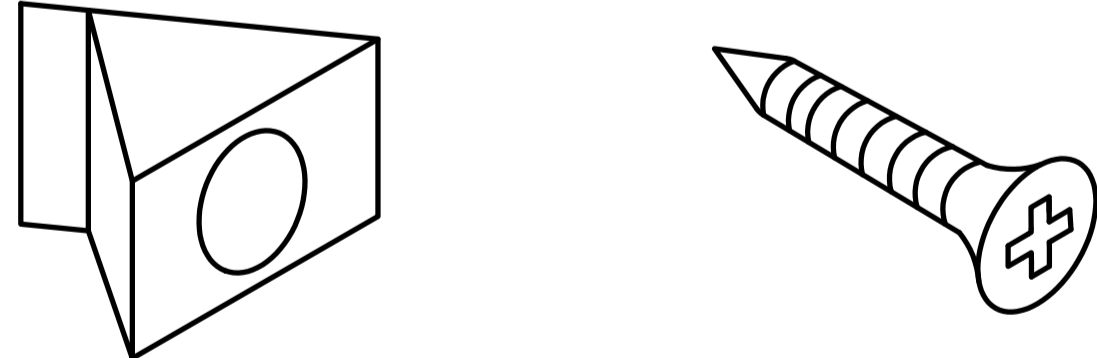
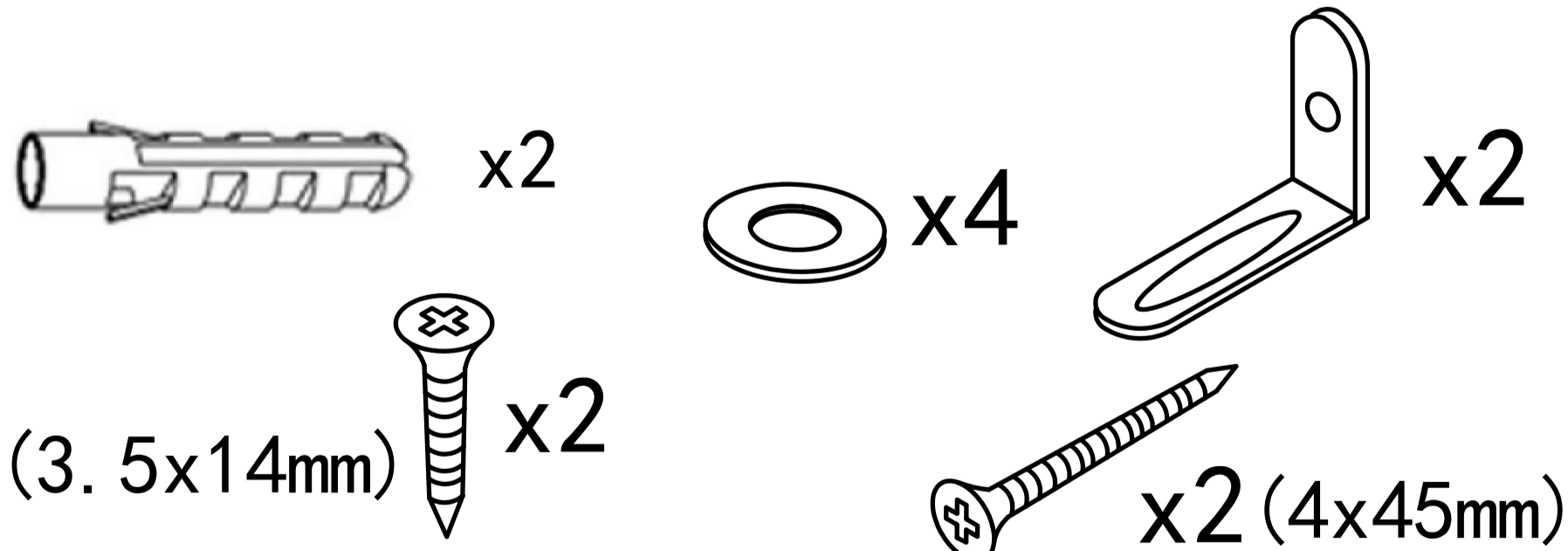
R x1

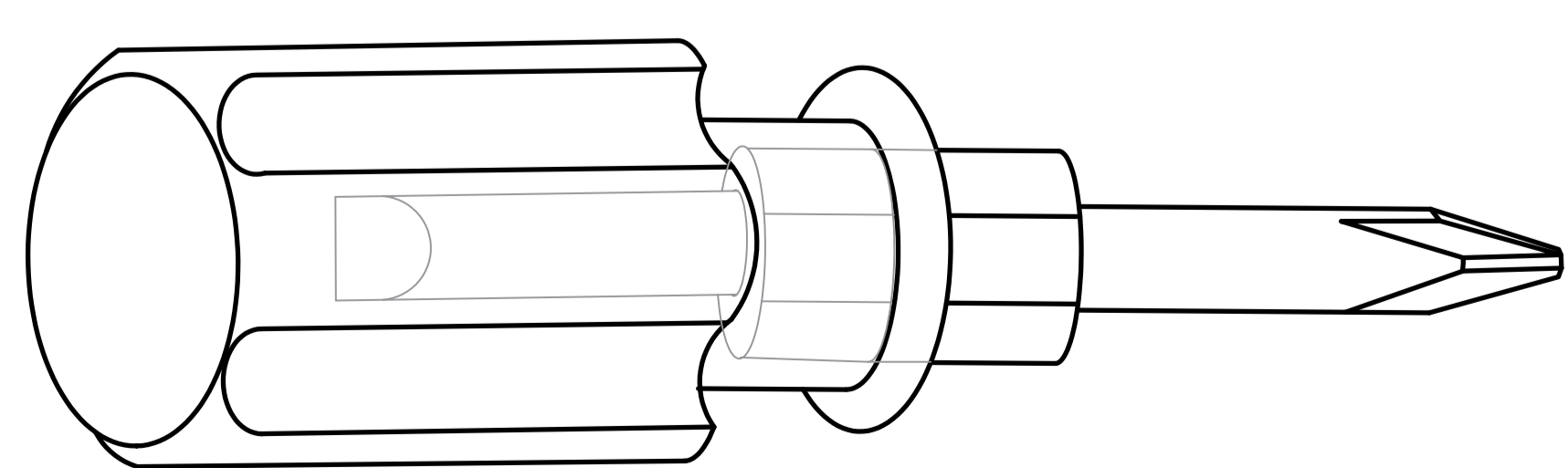


S x1

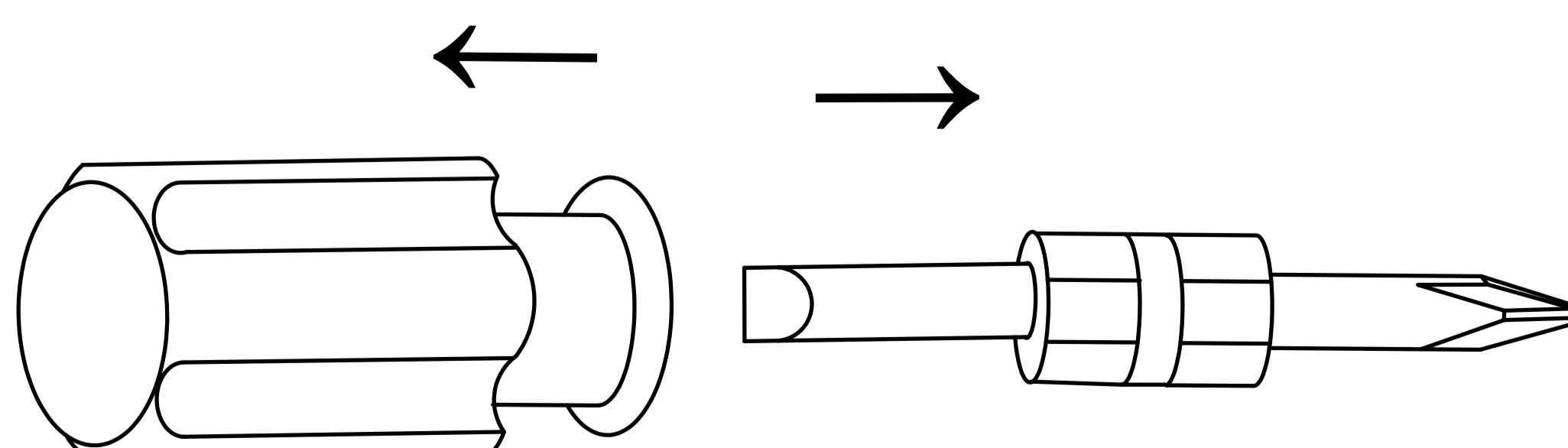


1

①		Two In One Screw (6x28mm)	66pcs +7pcs
②		Two In One Nut (10x12mm)	66pcs +7pcs
③		Wood Chipping (6x30mm)	12pcs +2pcs
④		Screw & Guide (29CM) (3x12mm)	30pcs +6pcs 6pcs
⑤		Non-slip pads (50x10mm)	8pcs +2pcs
⑥		Backboard card strip (1170mm)	1pcs
⑦		Laminate Support Nail	4pcs +2pcs
⑧		Hinge & Screw (3.5x12mm)	12pcs +2pcs 2pcs
⑨		Hinge & Screw (3.5x12mm)	12pcs +2pcs 2pcs
⑩		Handle & Screw (4x25mm)	4pcs +2pcs 2pcs
⑪		Fixing clip & screw (3x16mm)	16pcs +2pcs
⑫		Anti Fall Hardware	1pcs

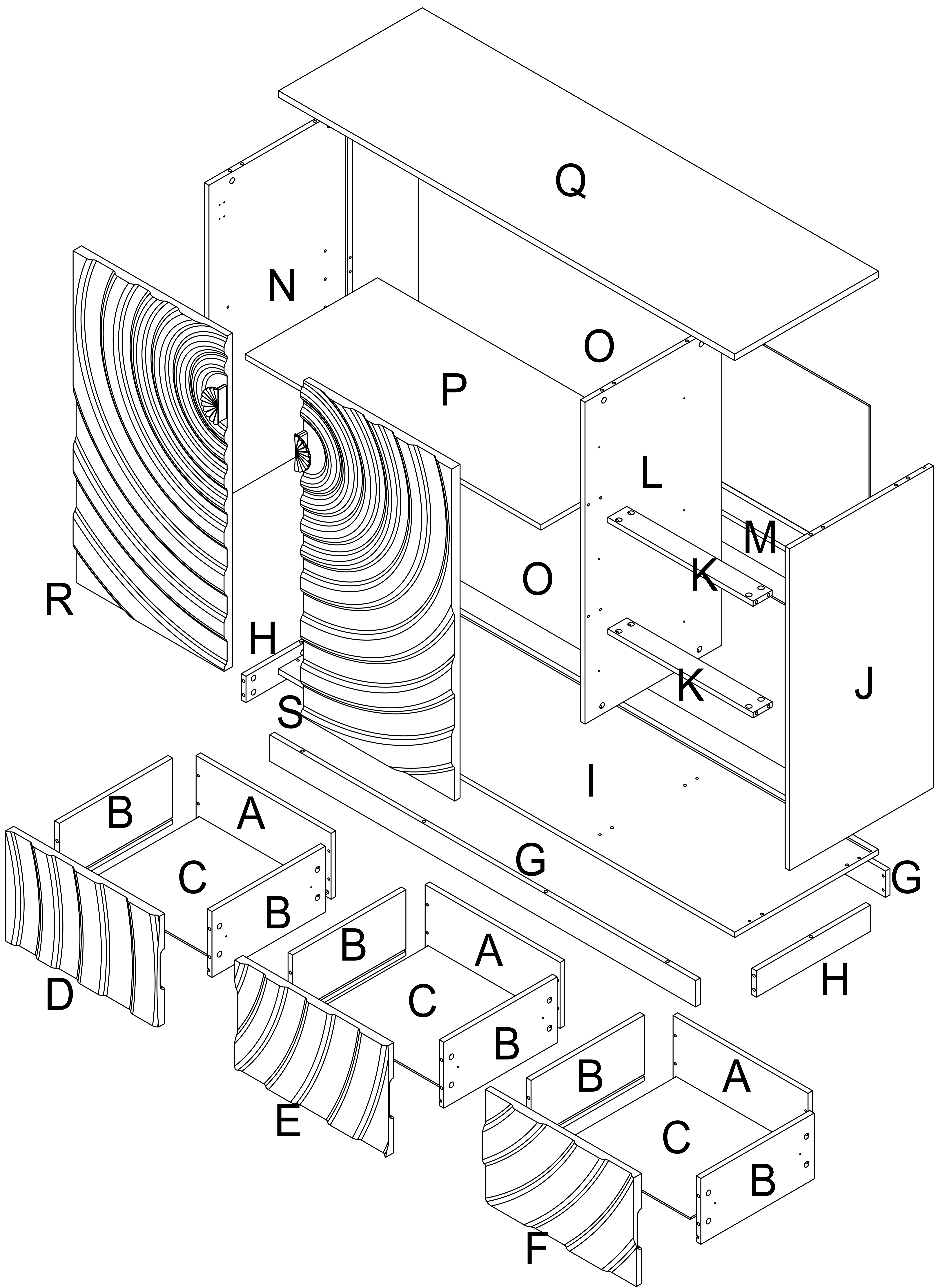


1pcs

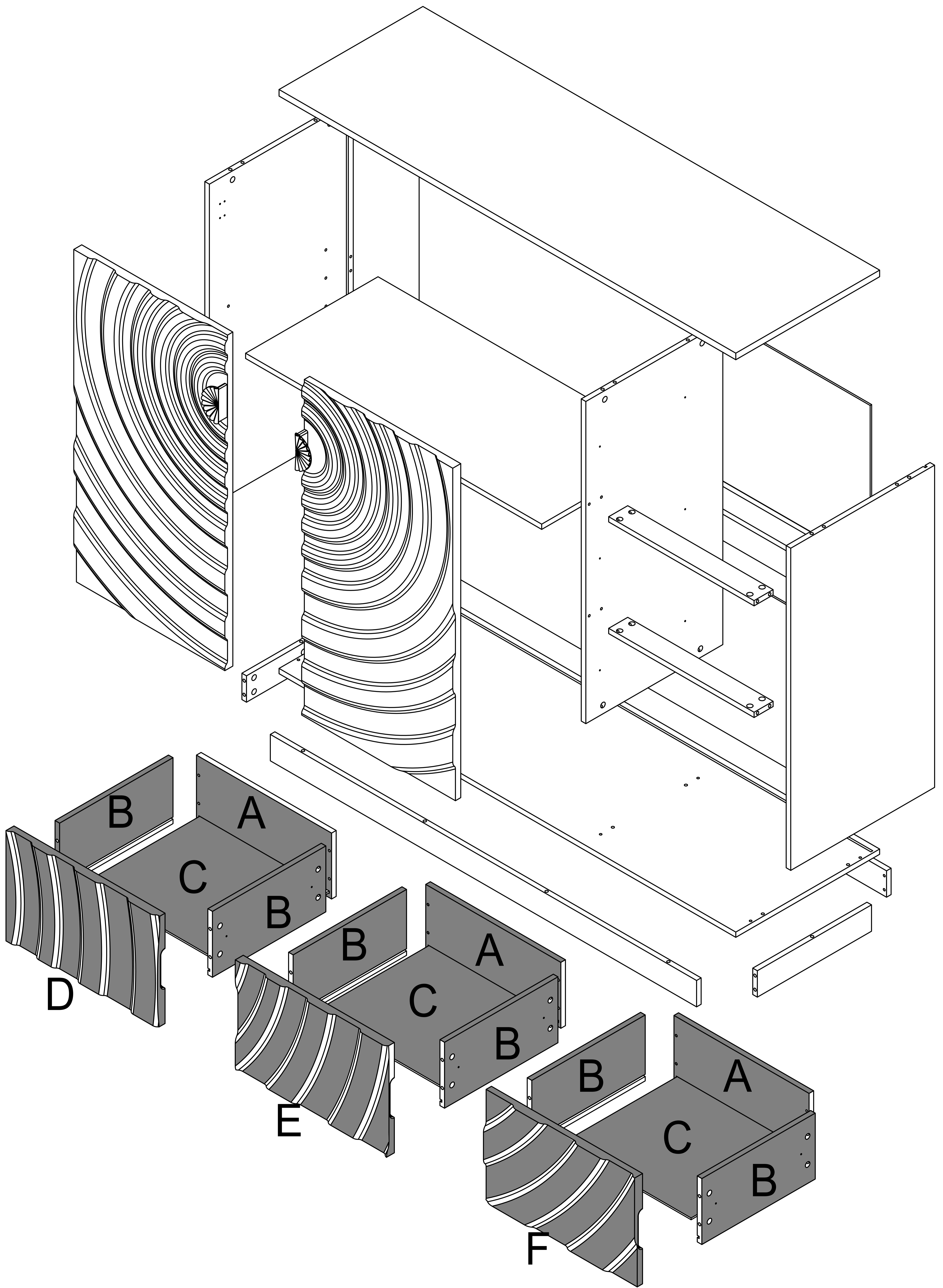


Double-head screwdriver, use as required





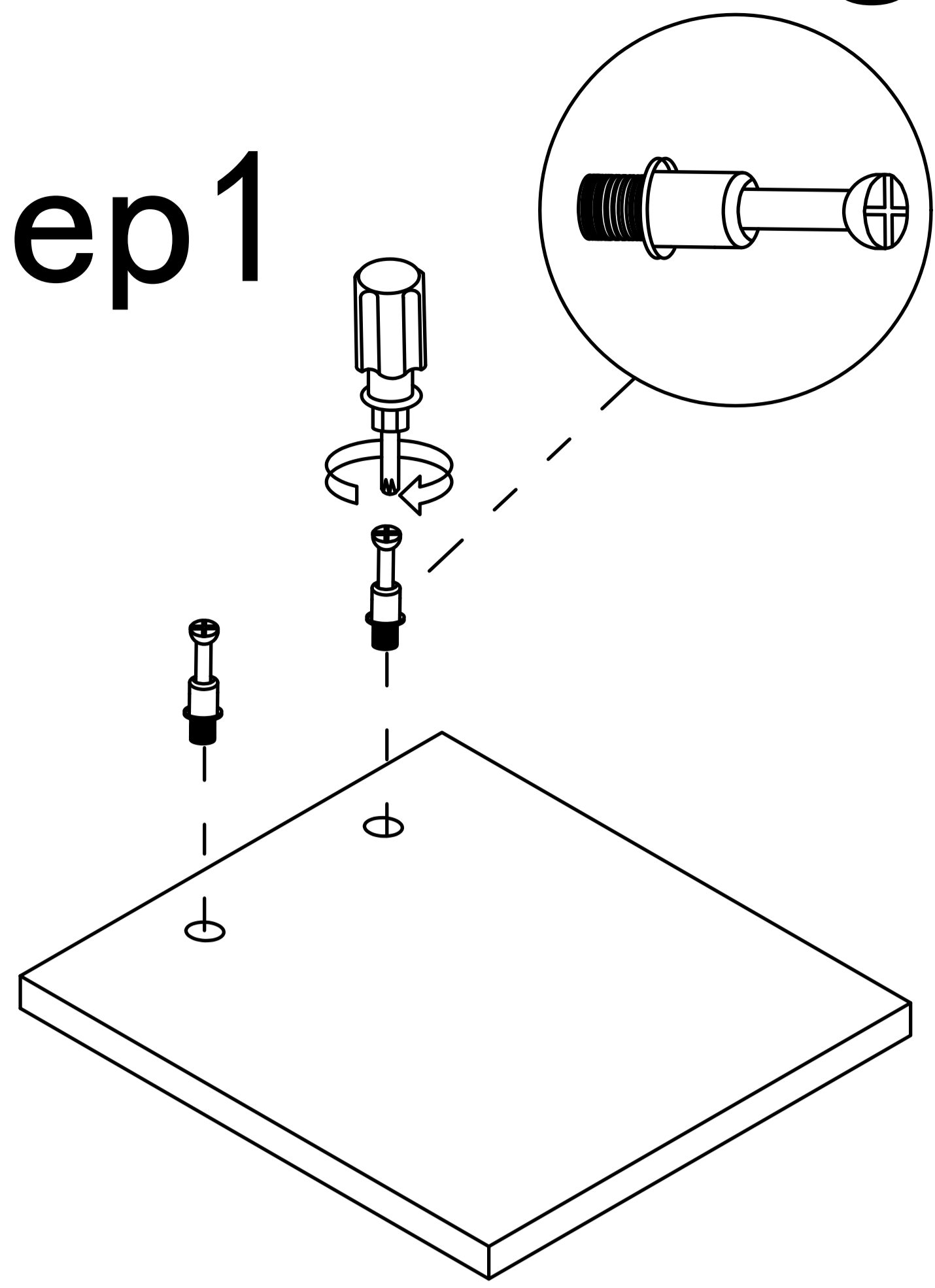
Product structure decomposition



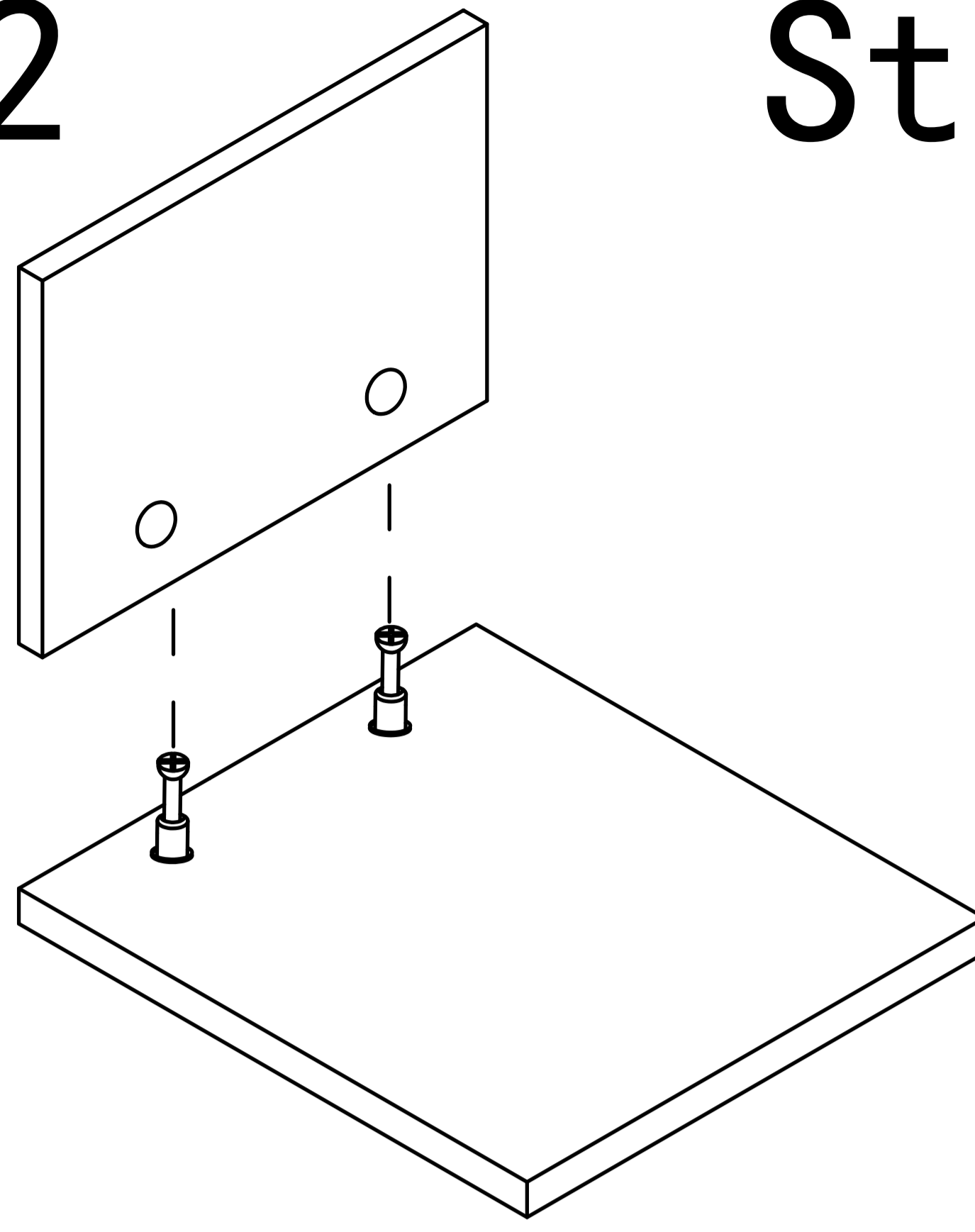
Product structure decomposition

Use parts ① and ②

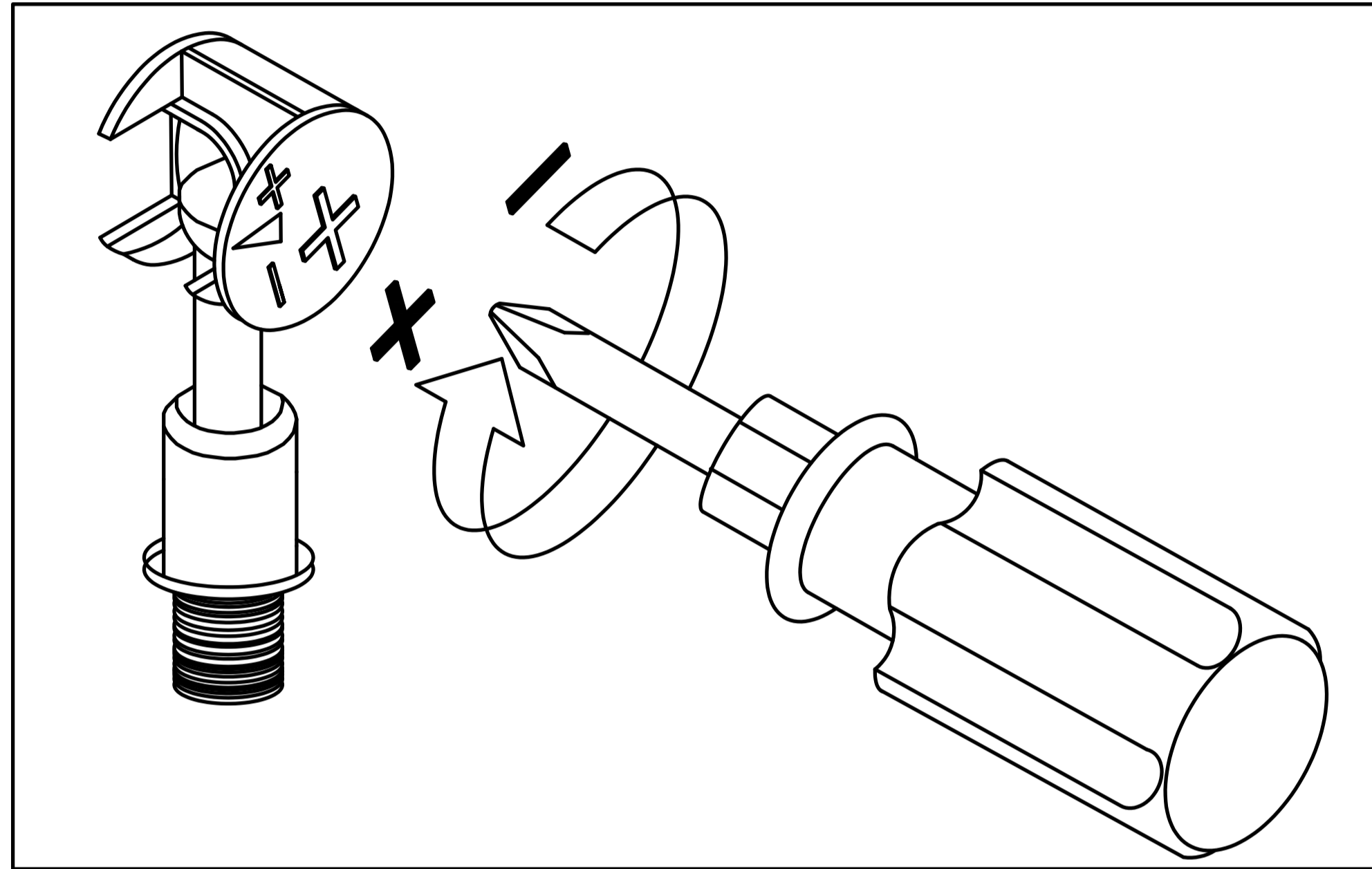
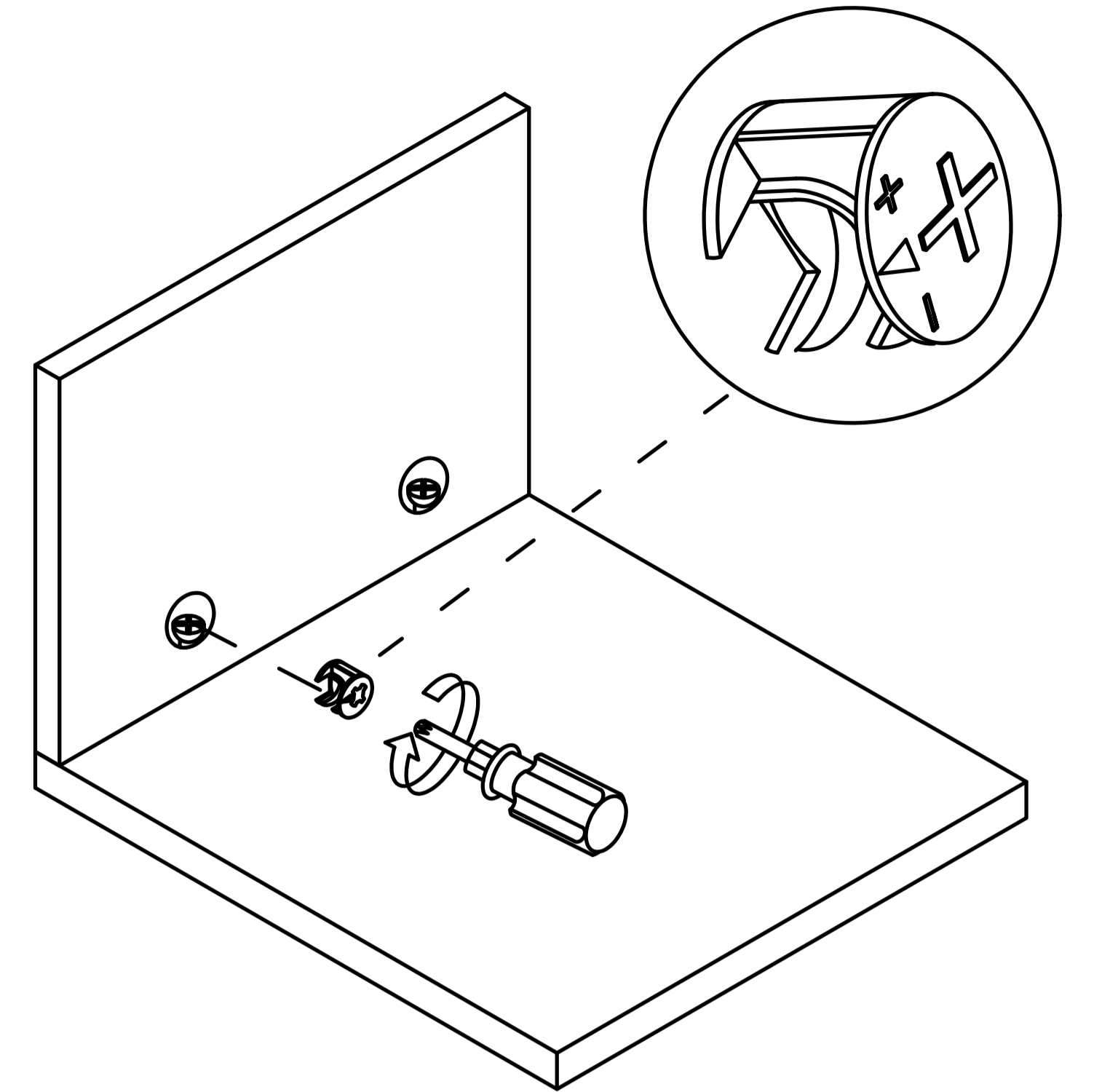
Step 1



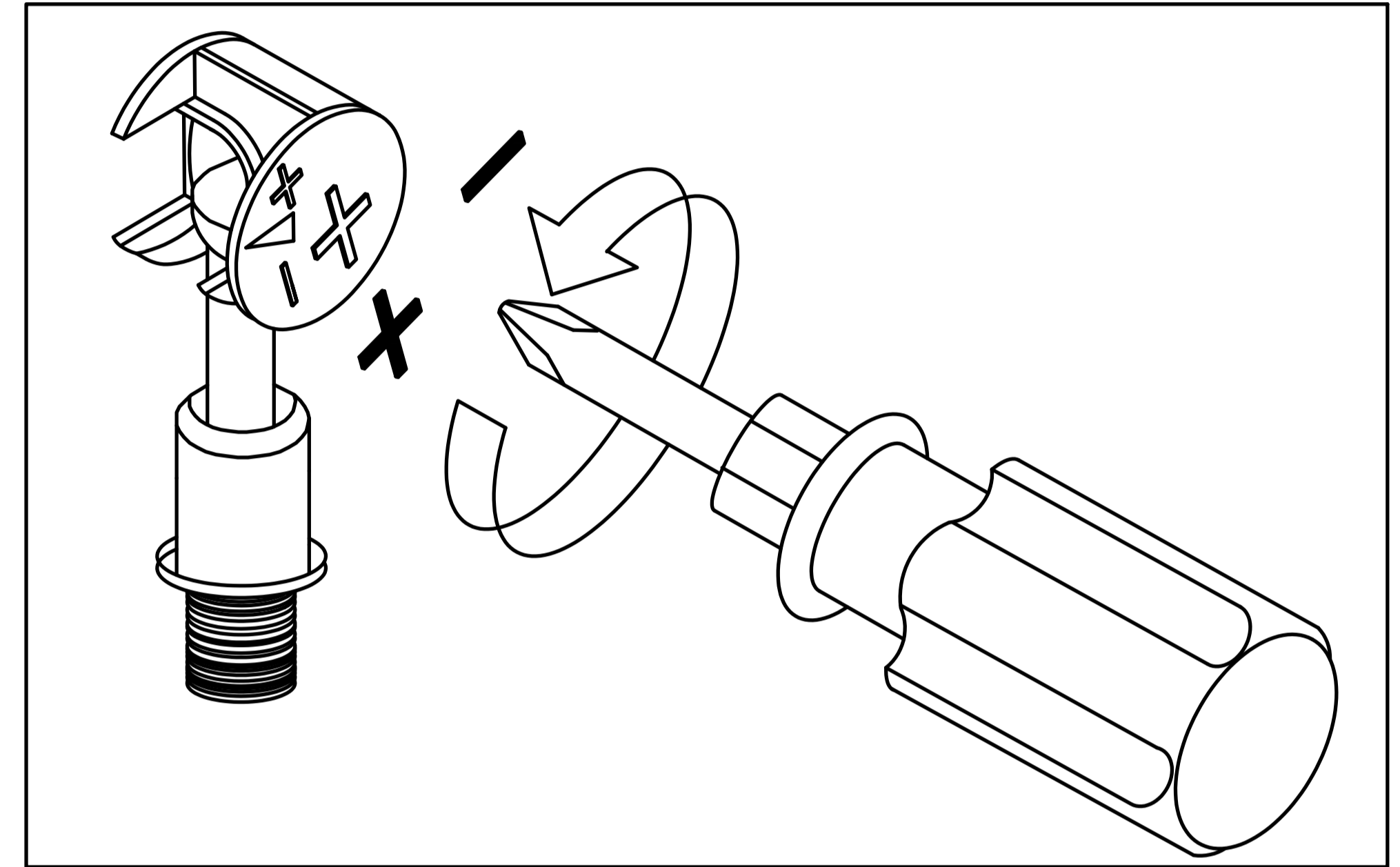
Step 2



Step 3

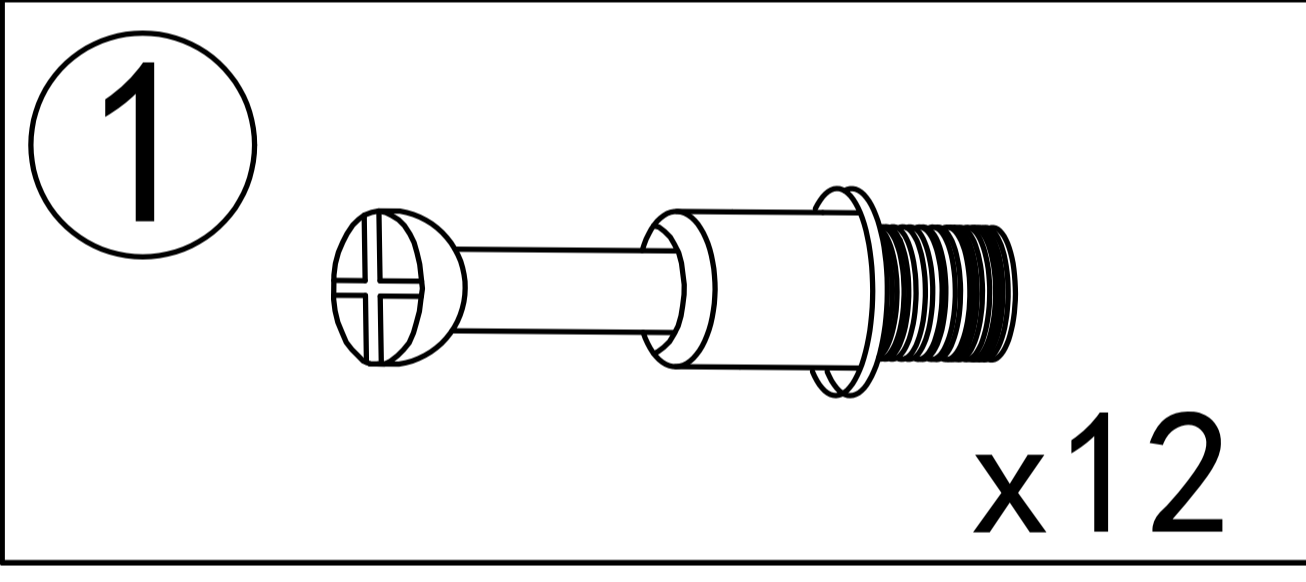
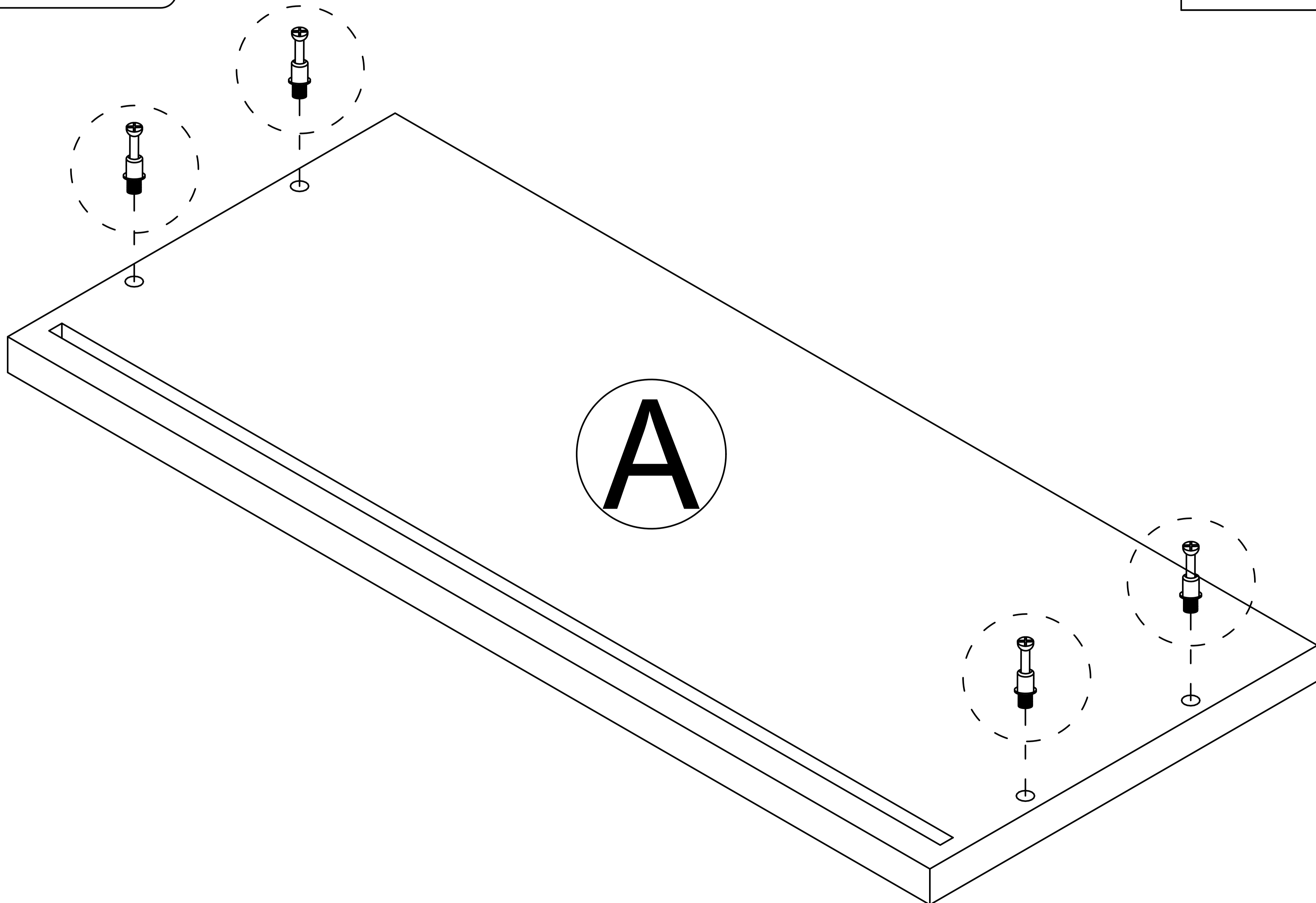


Use a screwdriver to lock in the direction of the "+" sign



Disassemble along the direction of "-" sign

Step 1

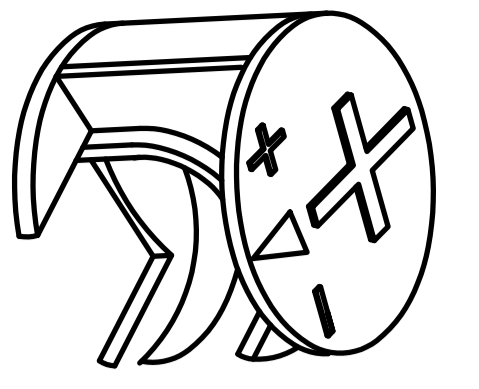


Steps and objects x3

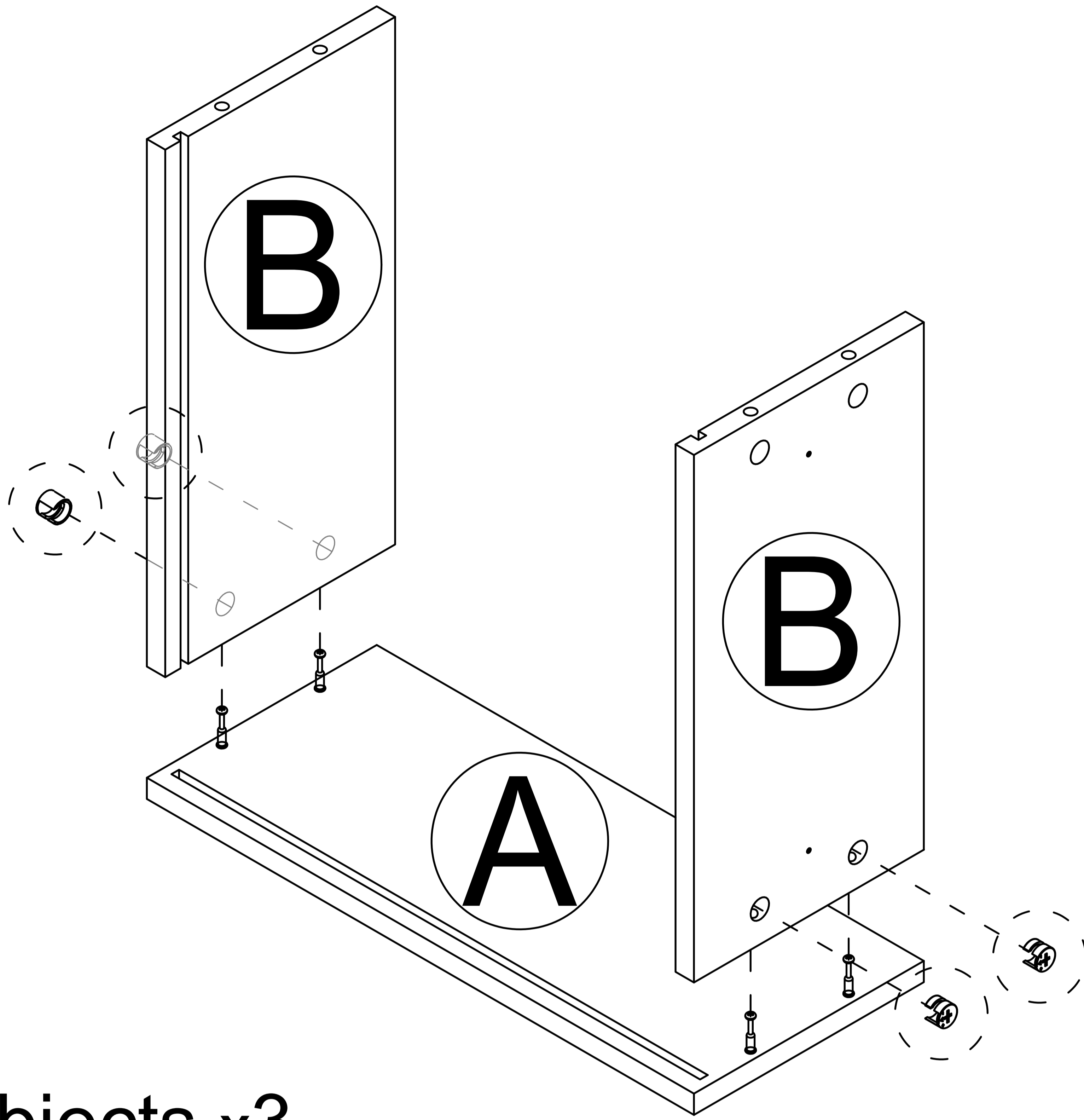
5

Step 2

2

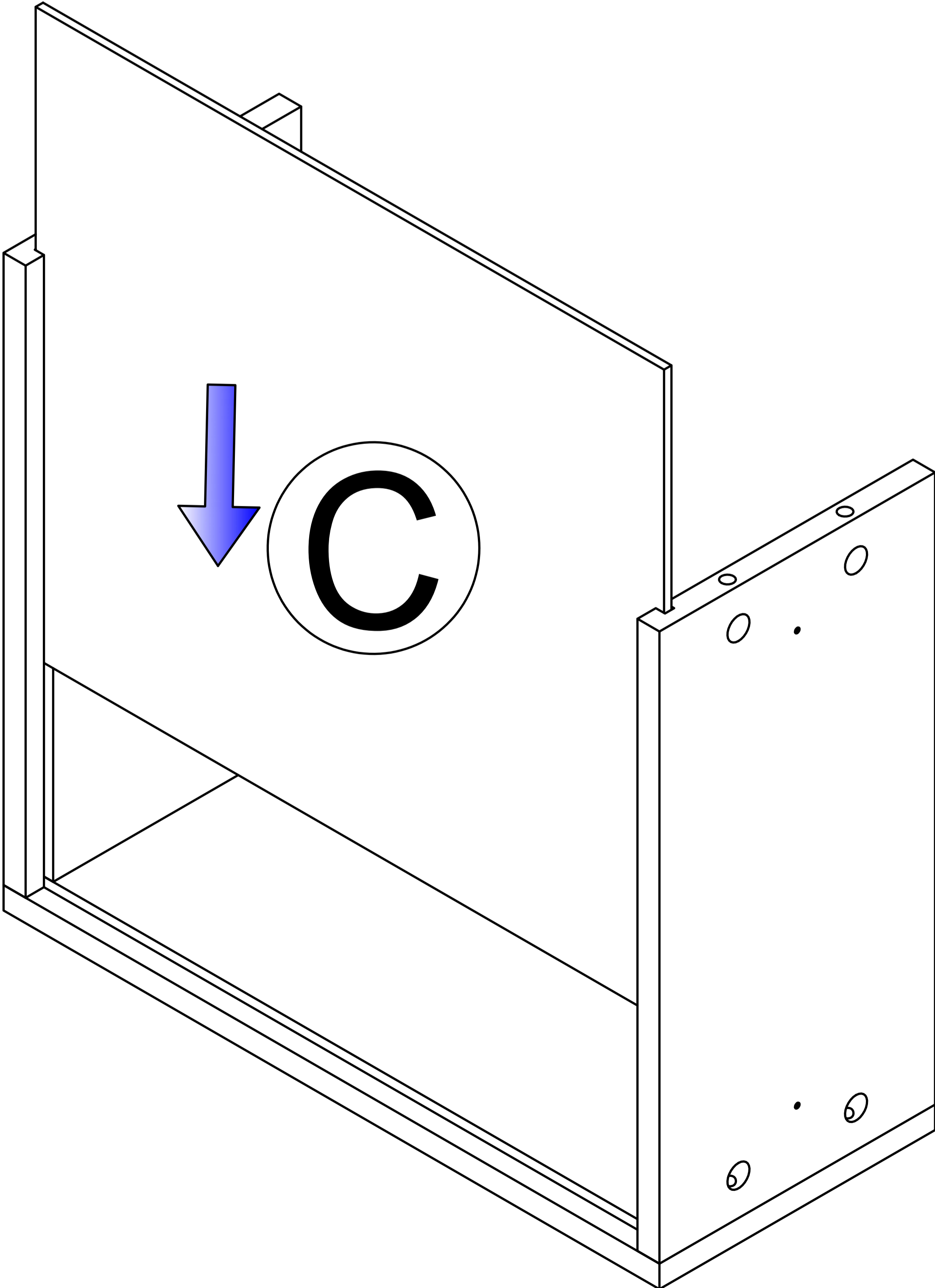


x12



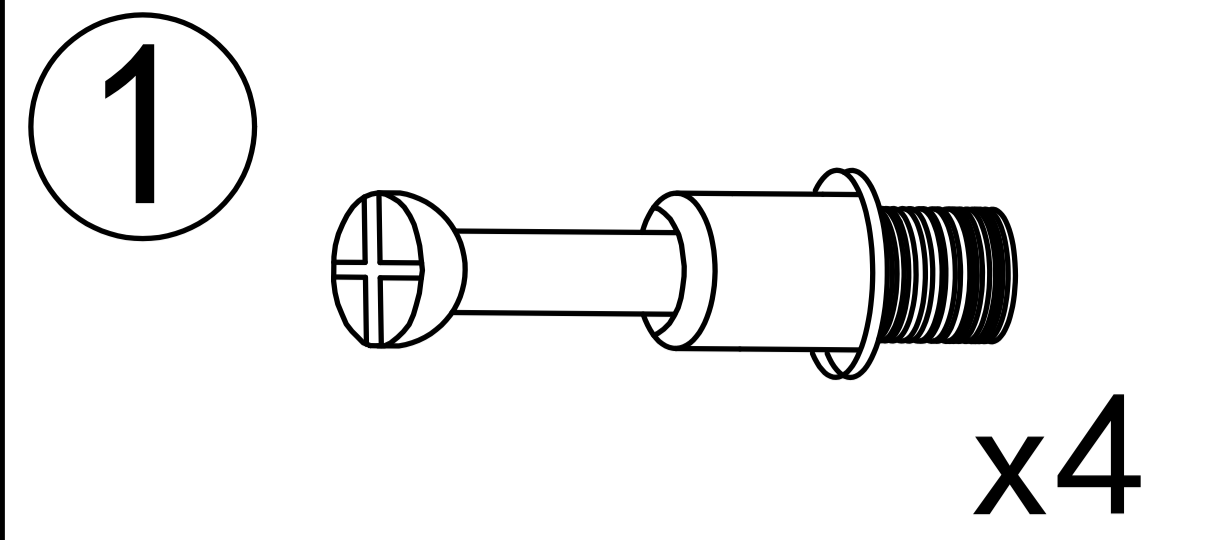
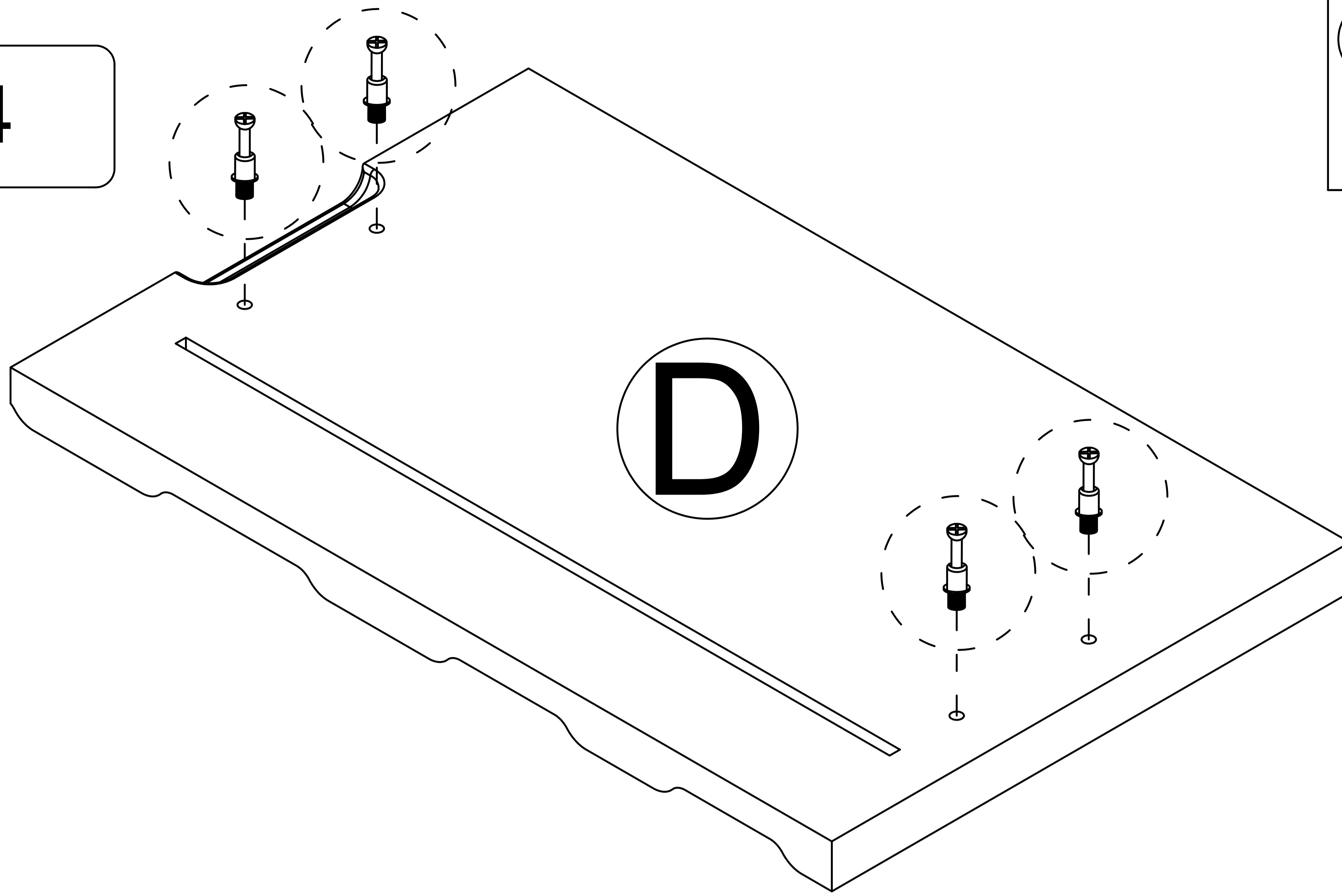
Steps and objects x3

Step 3

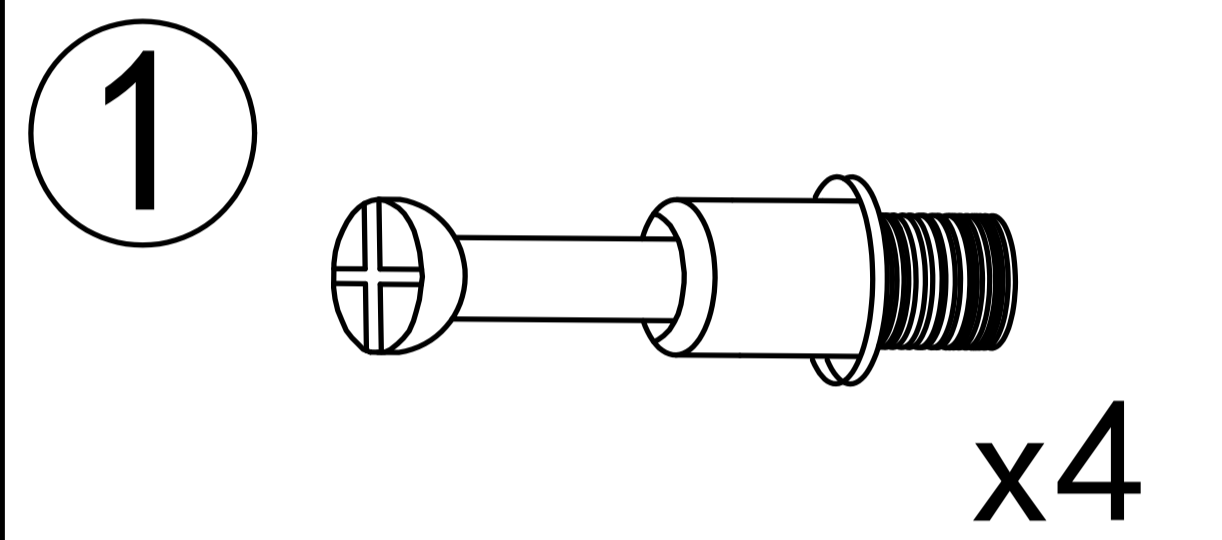
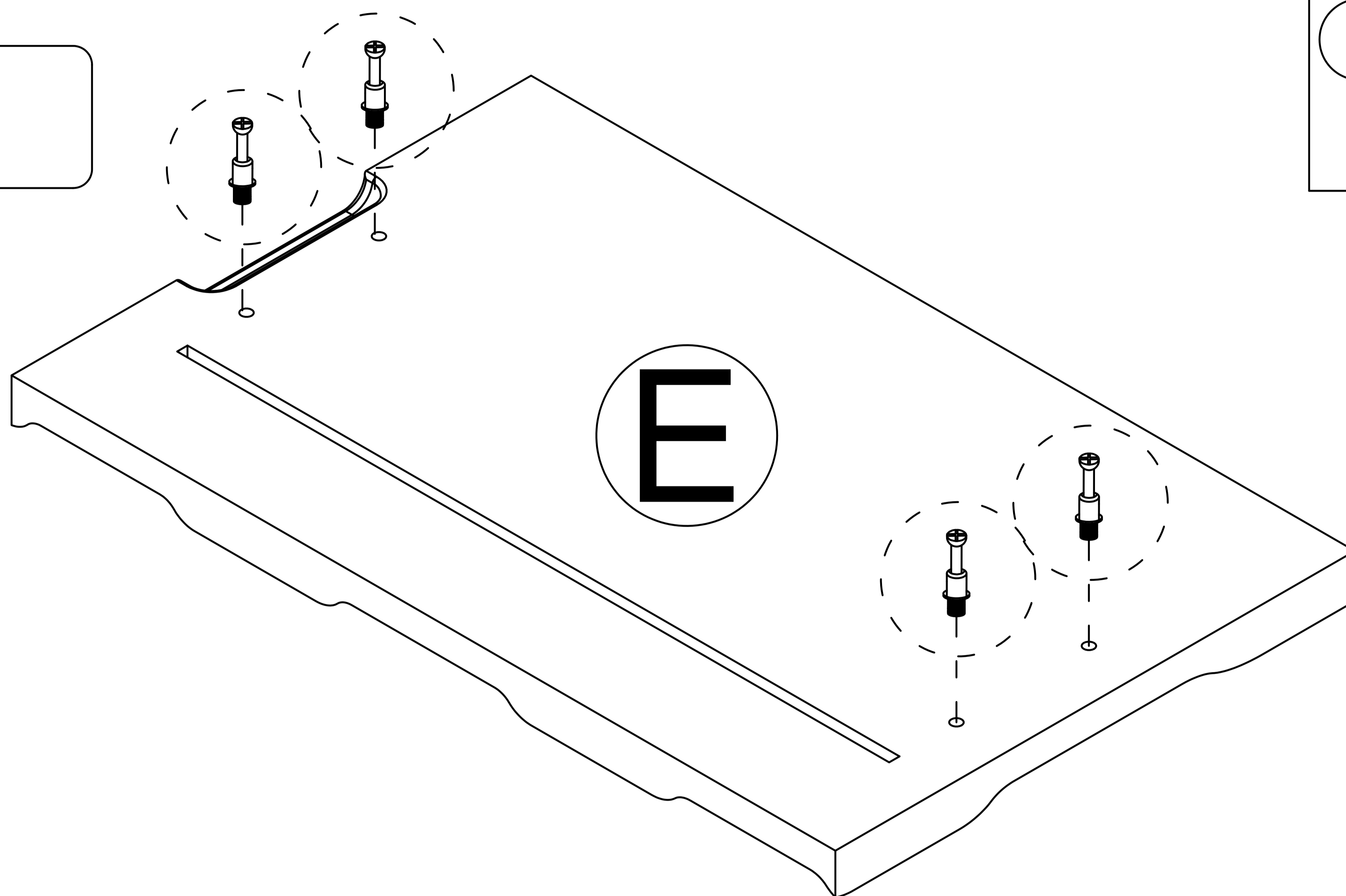


Steps and objects x3

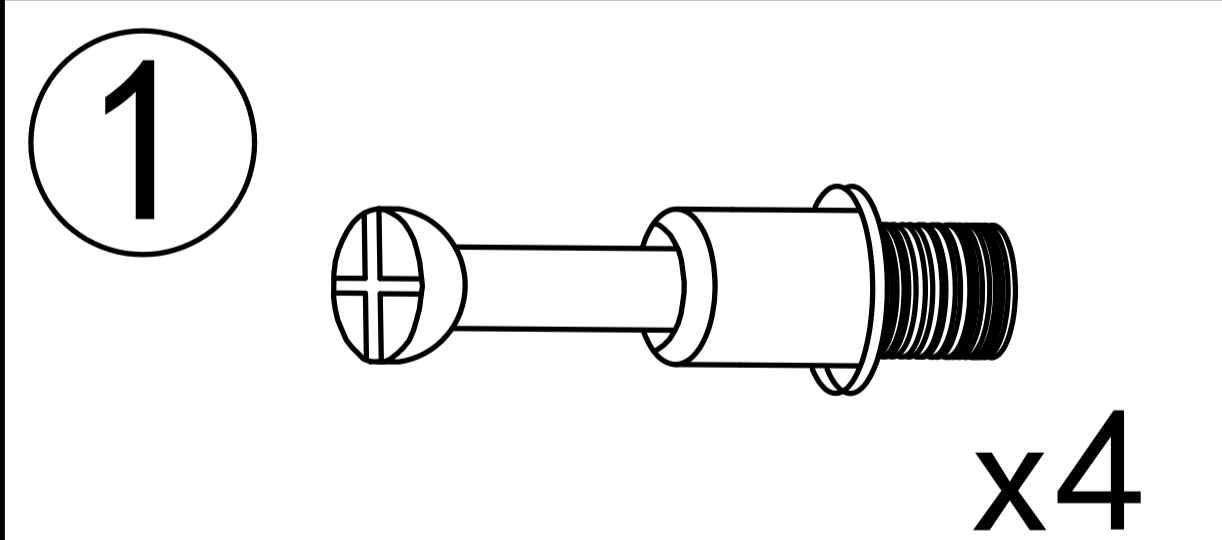
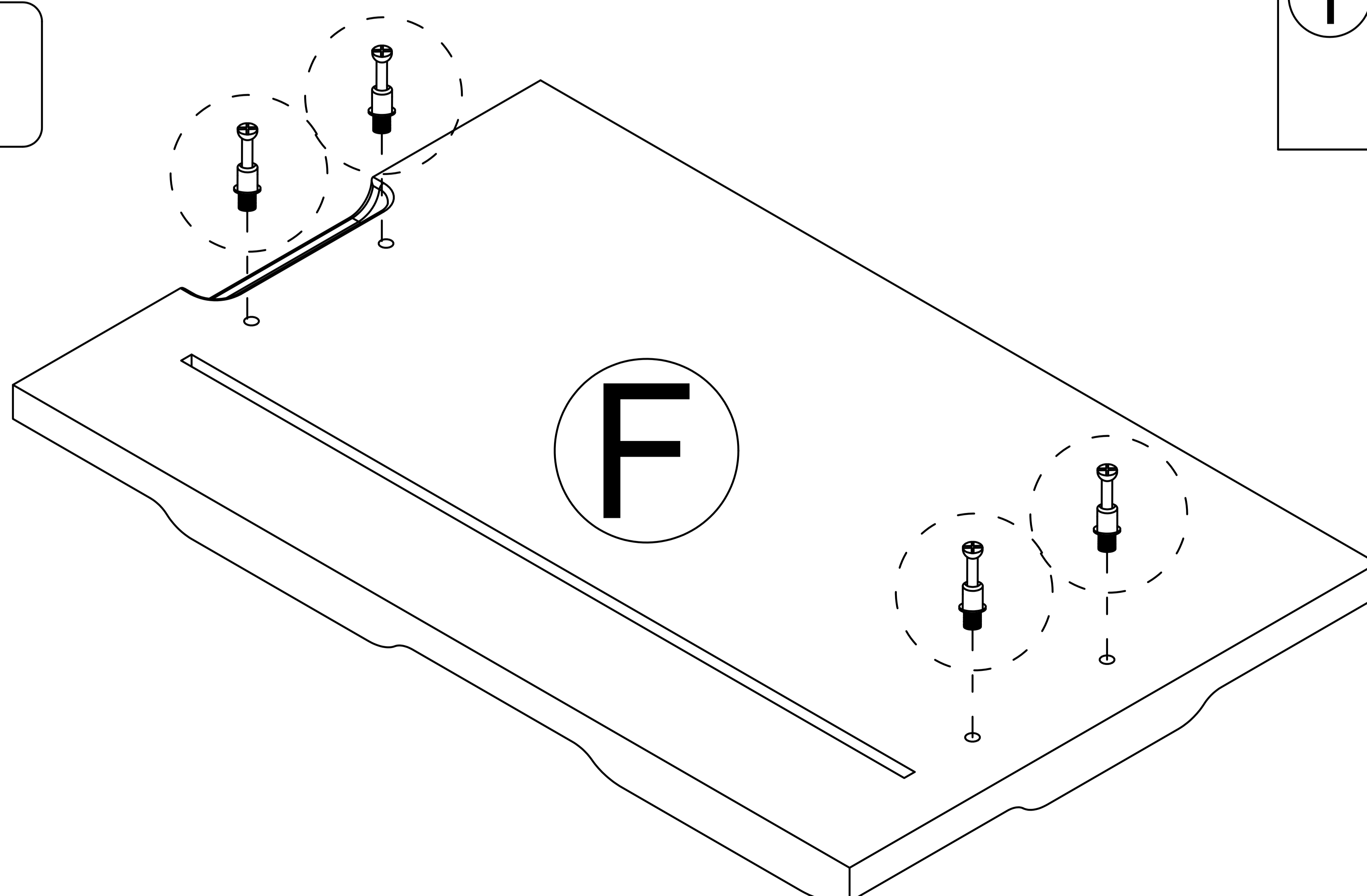
Step 4



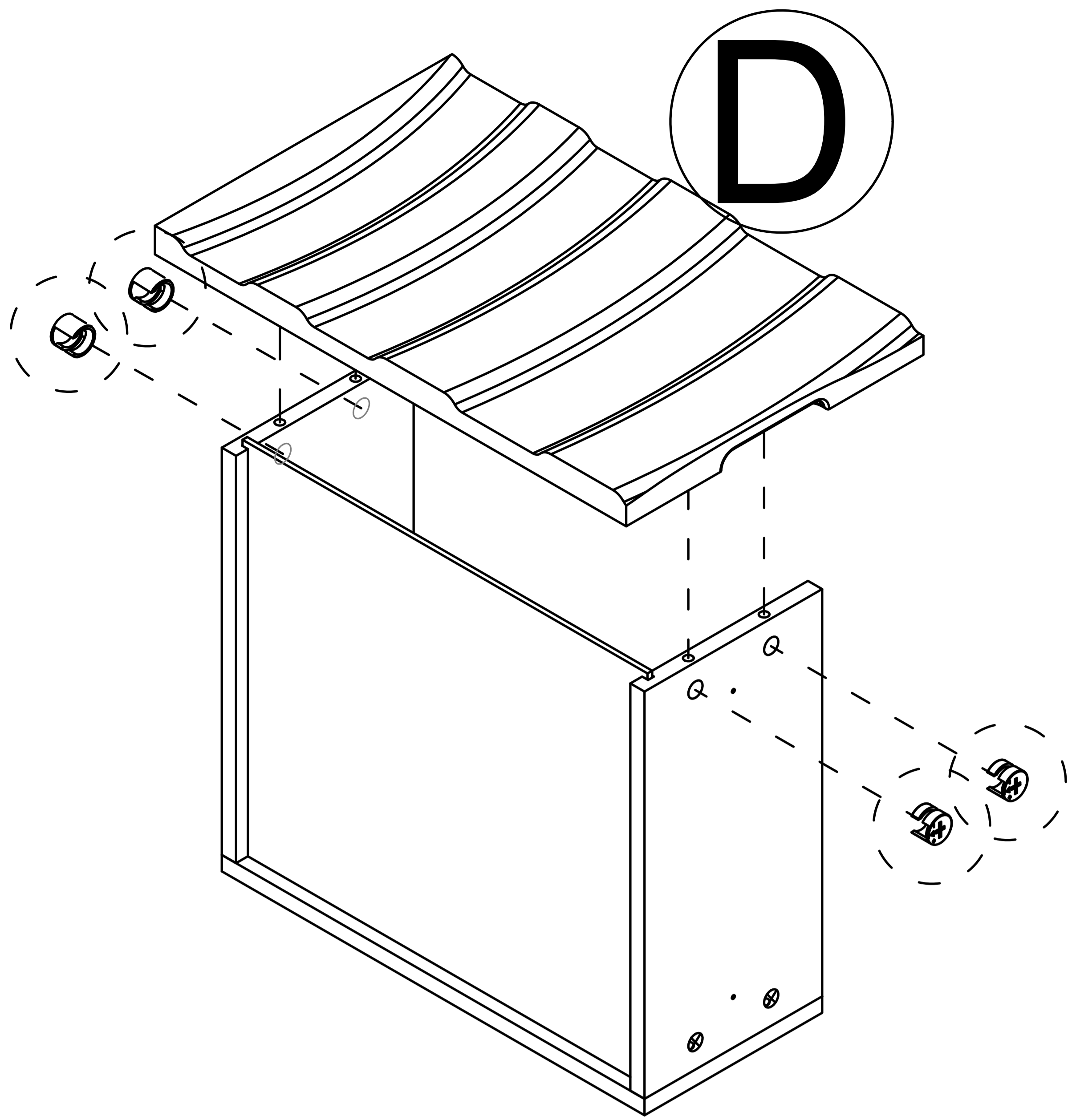
Step 5

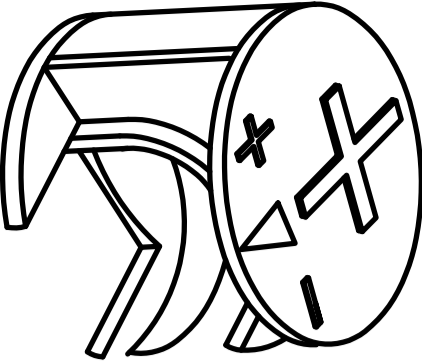


Step 6

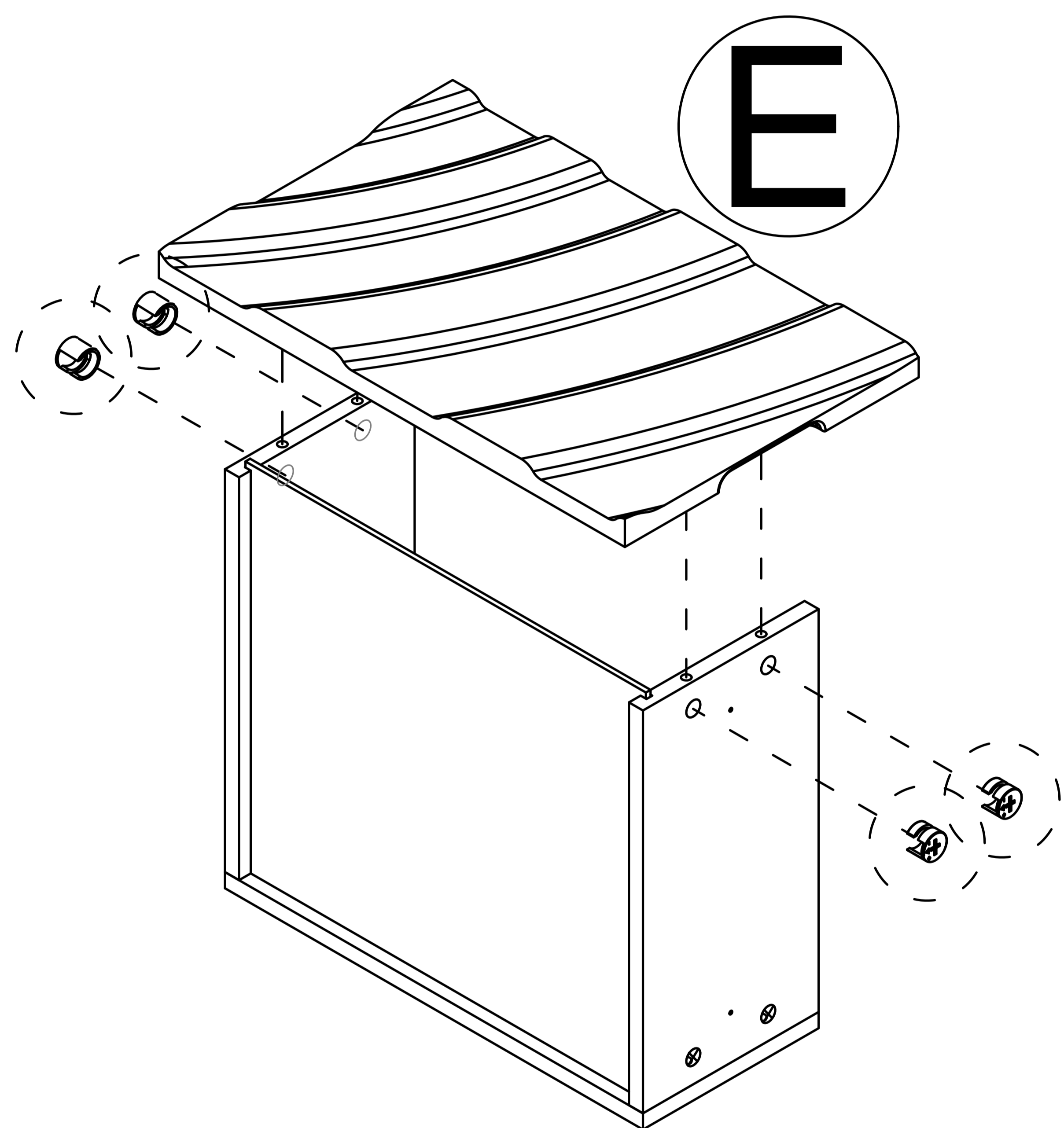


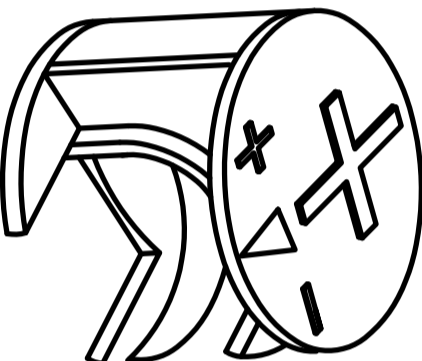
Step 7



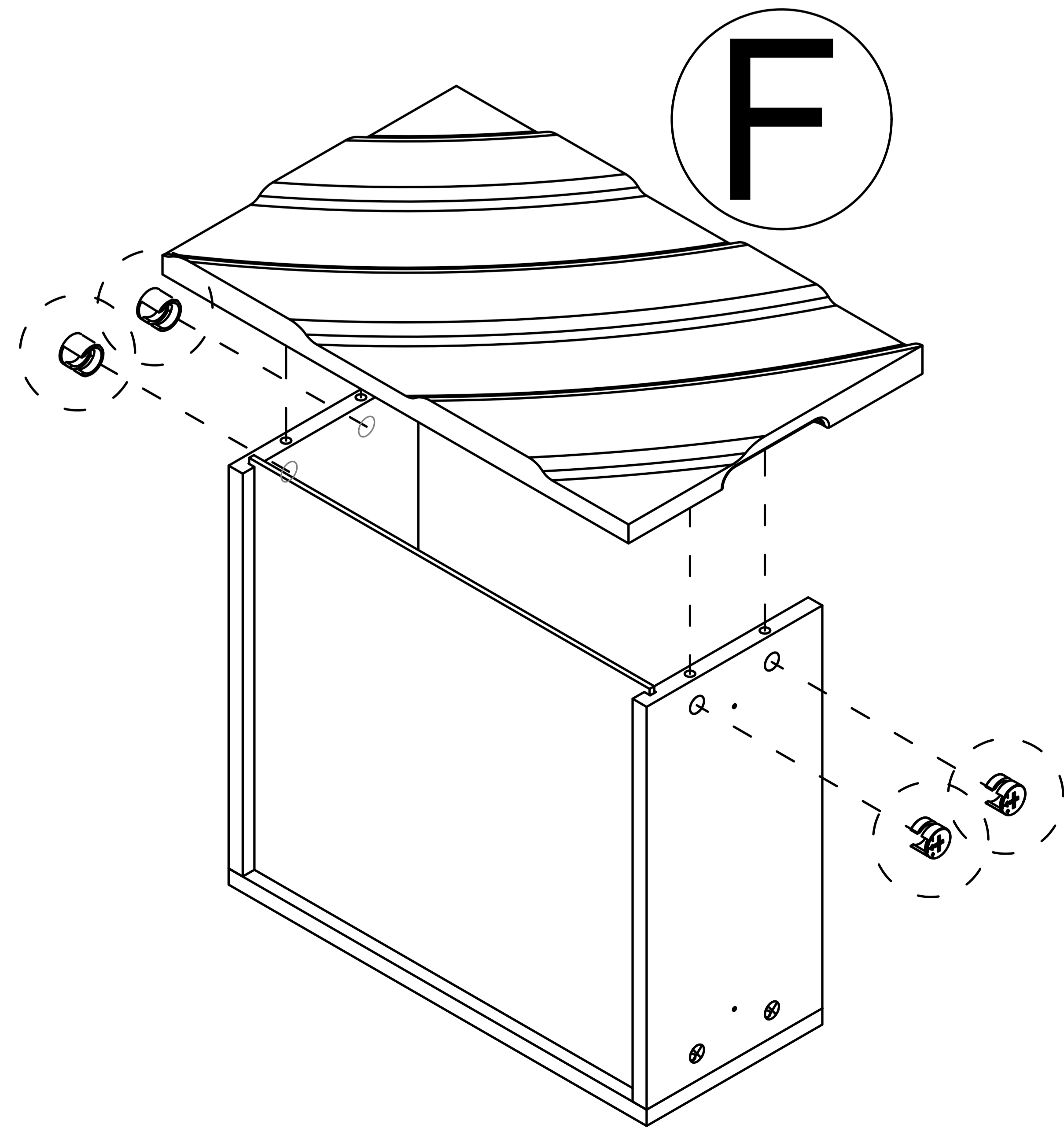
2  x4

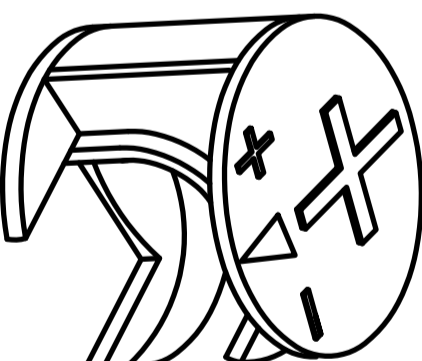
Step 8



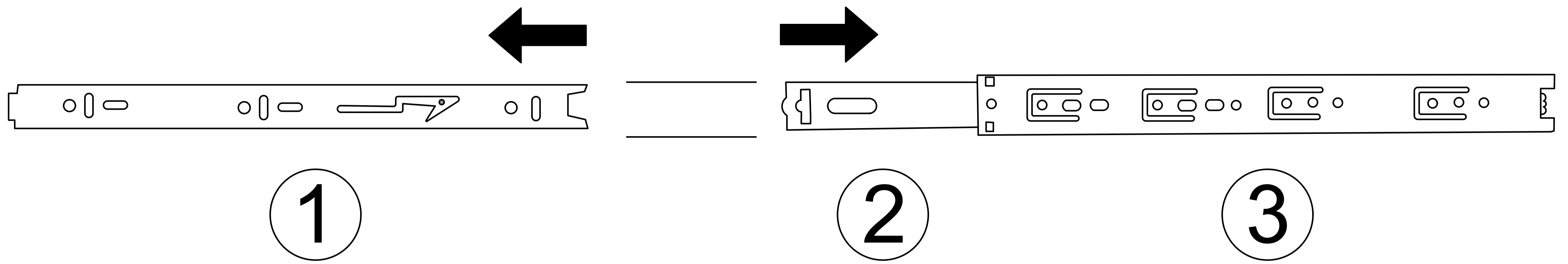
2  x4

Step 9



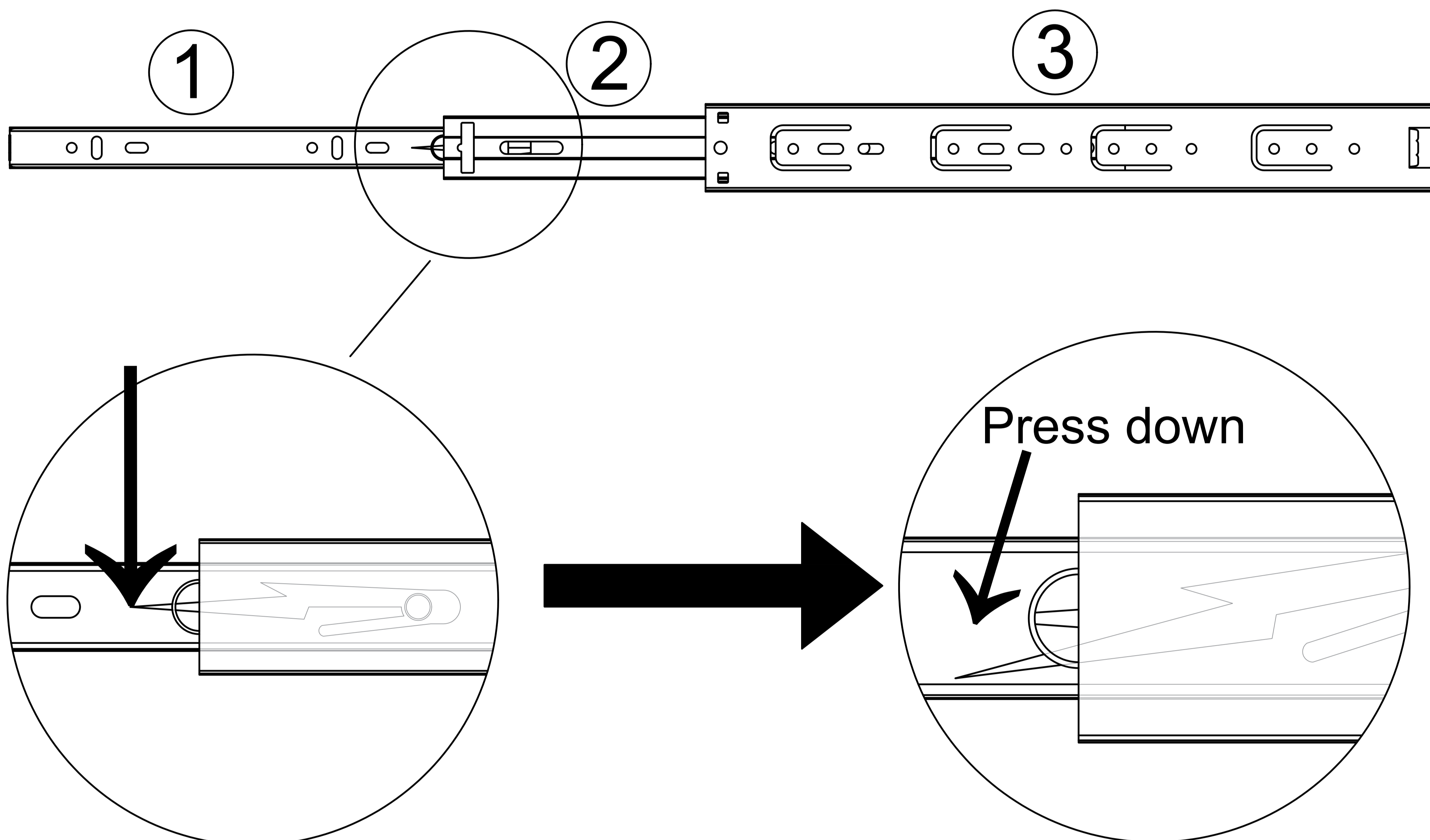
2  x4

Drawer rail breakdown diagram



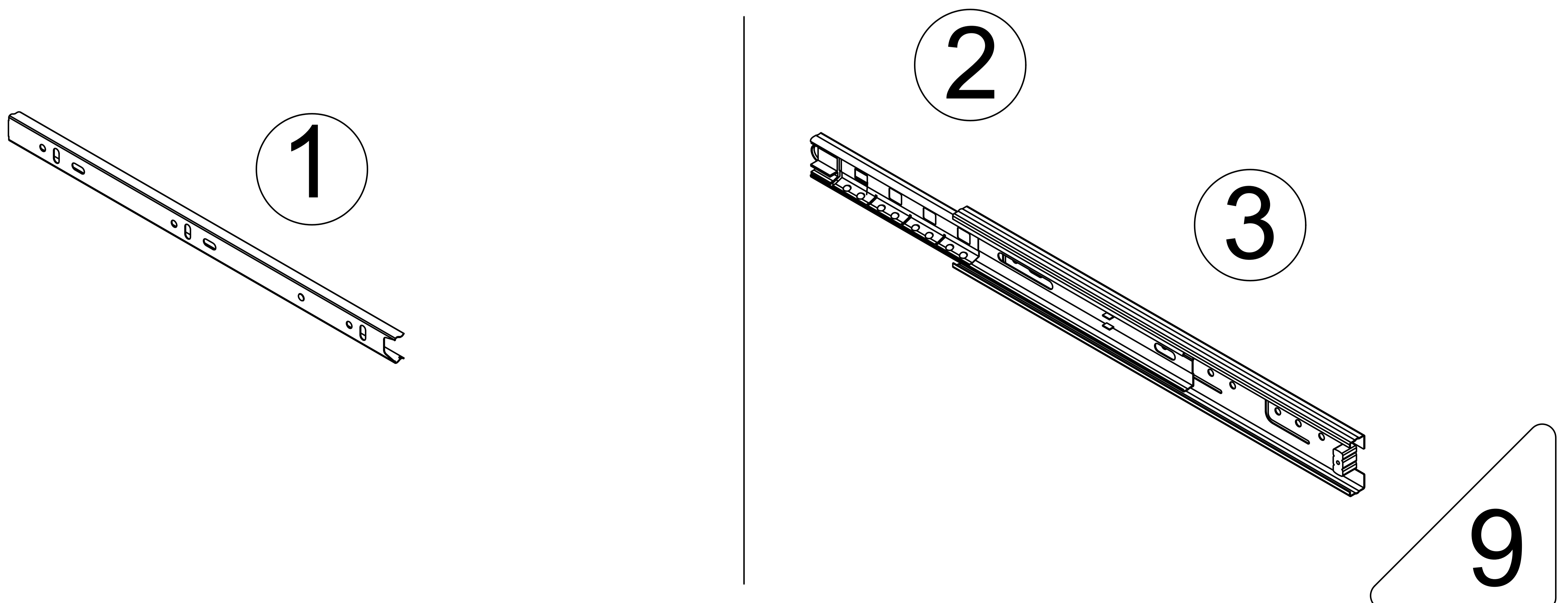
① Dismantle the schematic diagram

Step 1 : Pull the rails apart



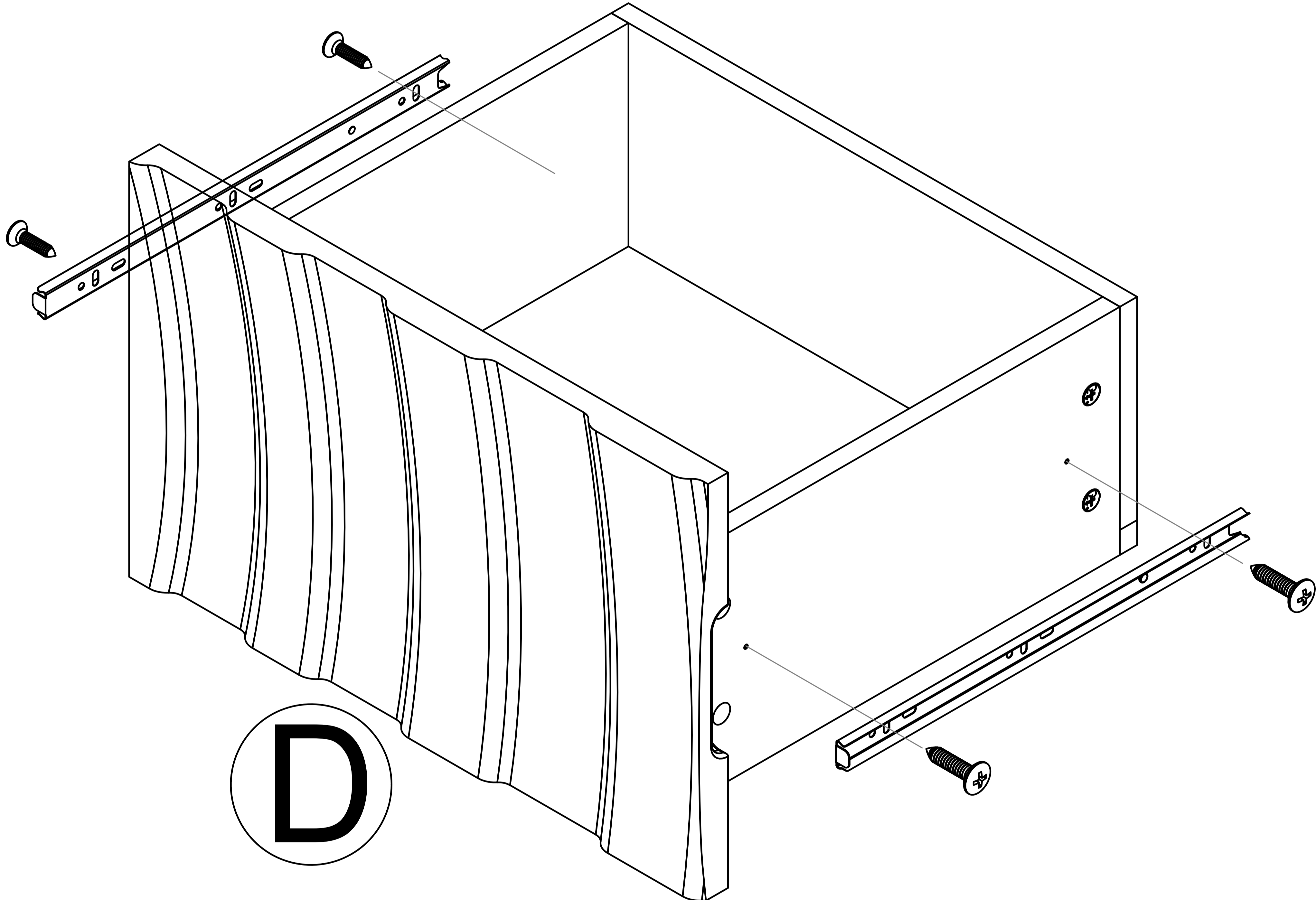
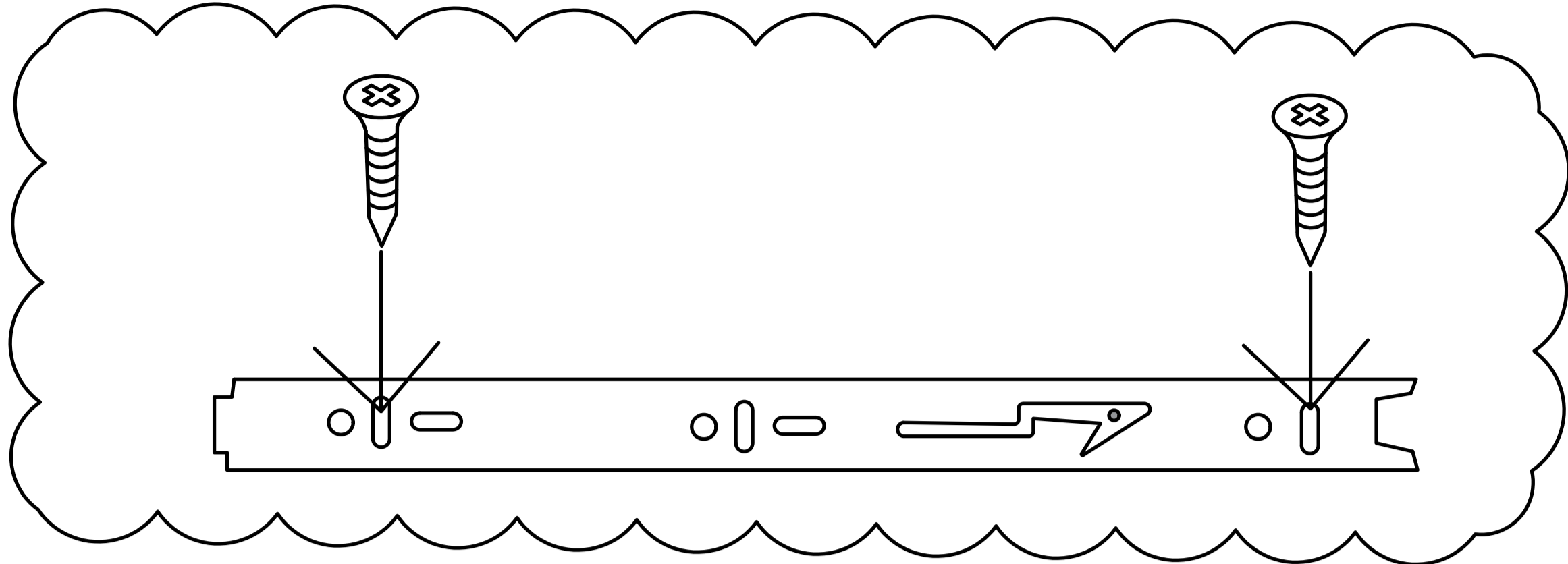
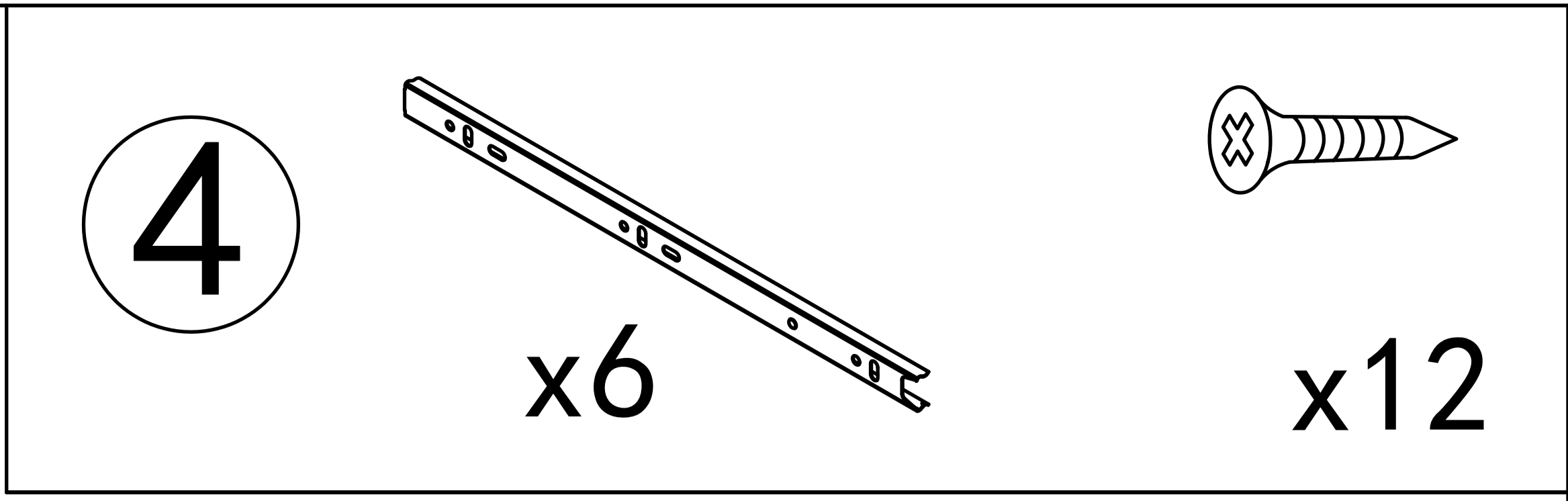
Step 2 : Press the nylon button and pull out ①.

Drawer rail decomposition completed schematic diagram

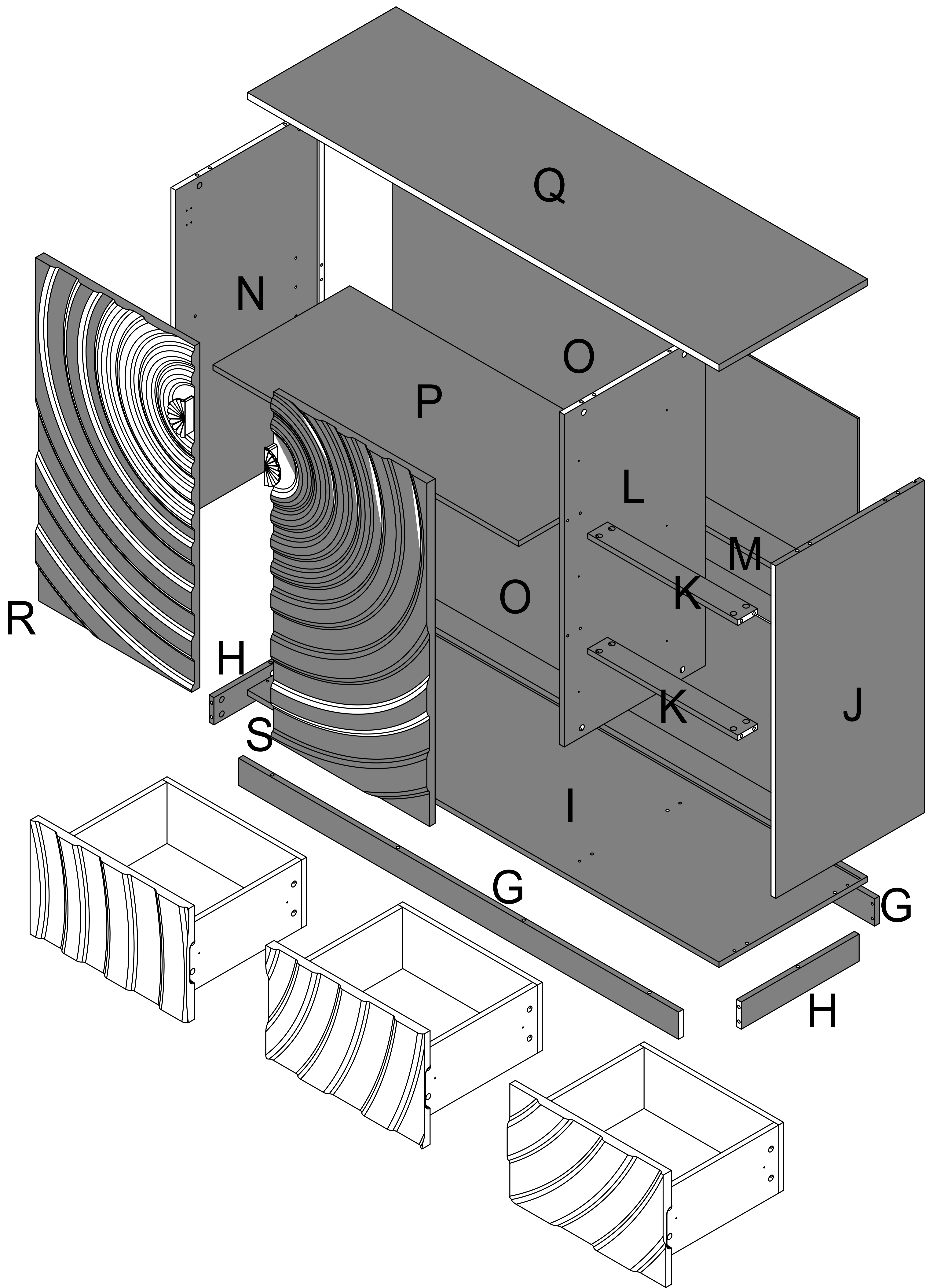


Step 10

4 x6 x12

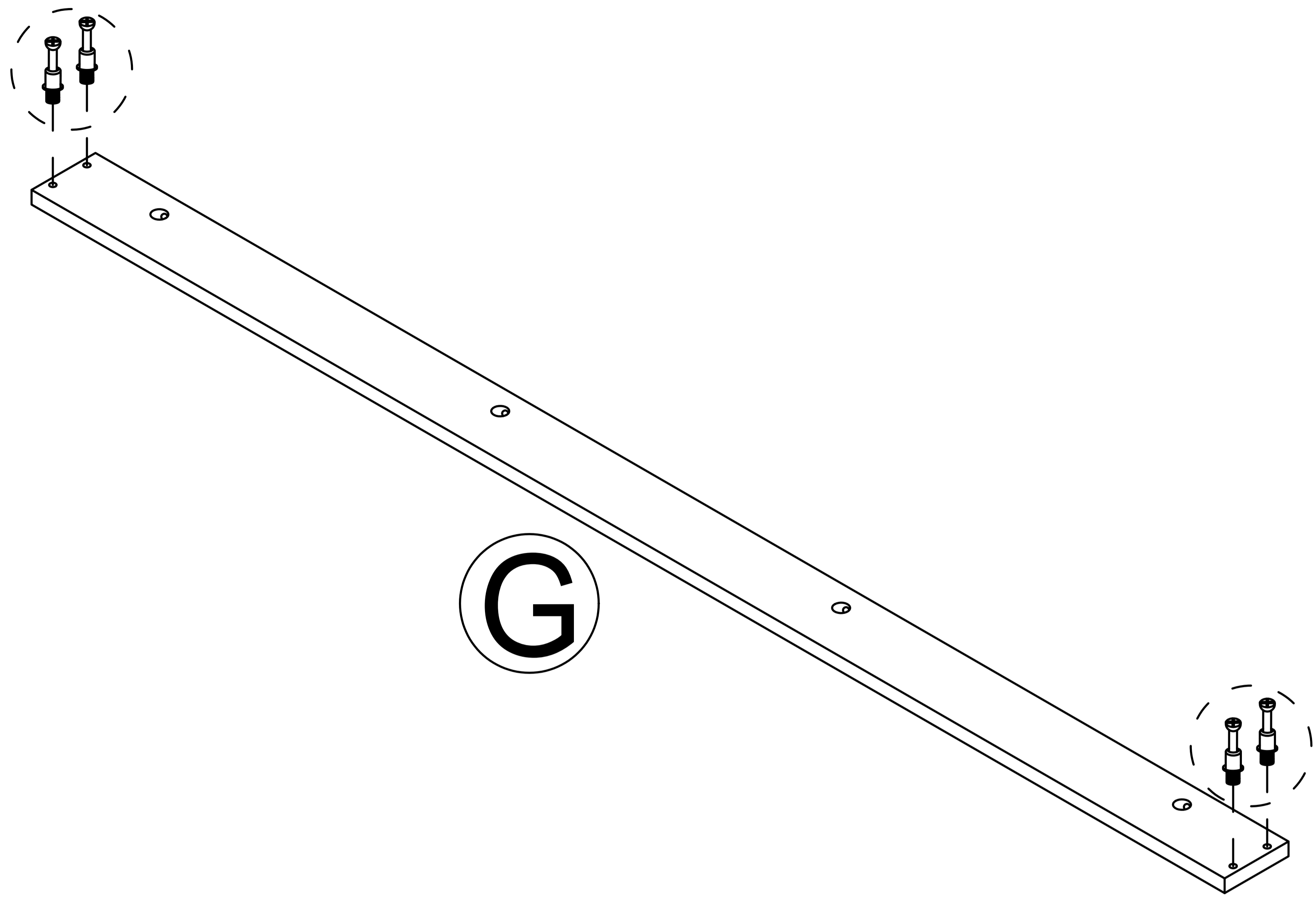
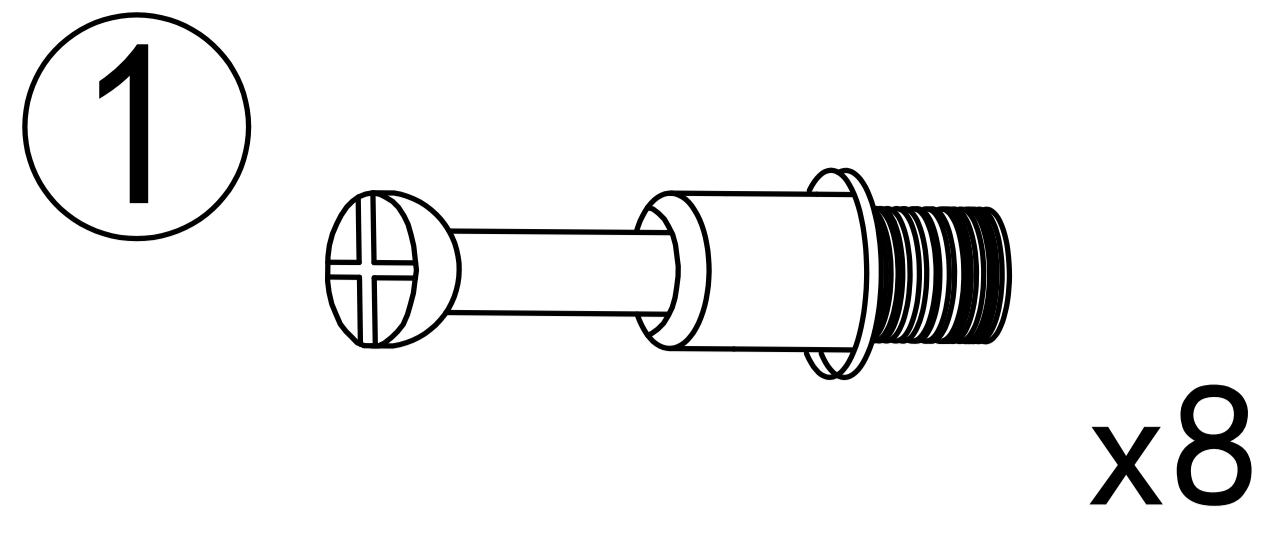


Perform the same operation on "E" drawer and "F" drawer as done on "D" drawer.



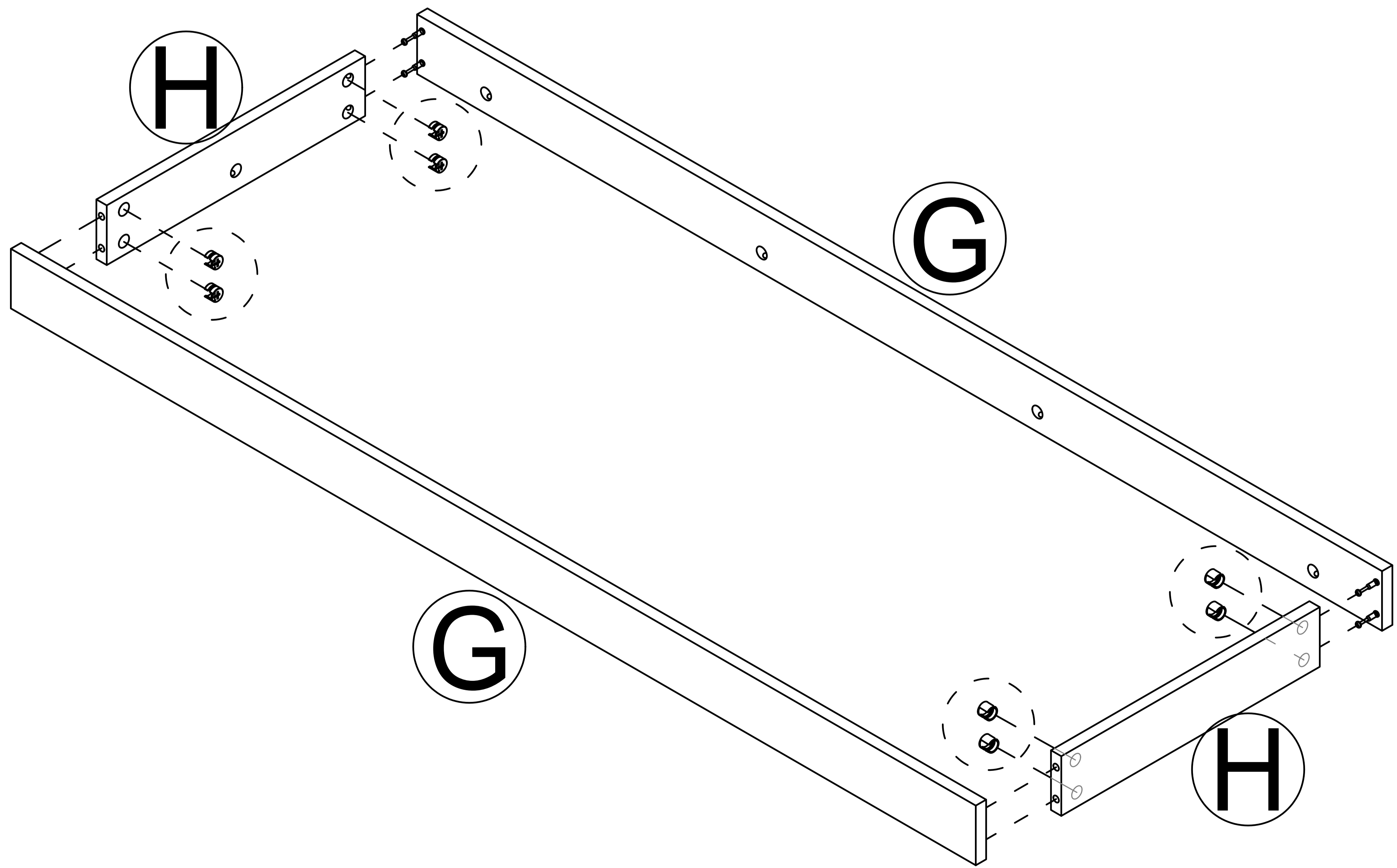
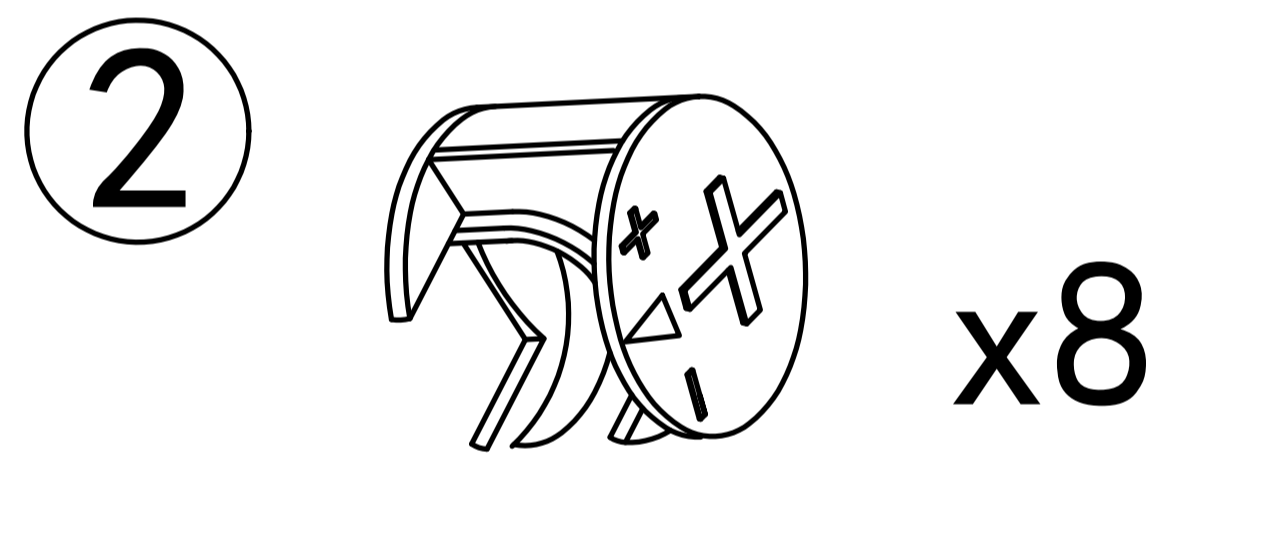
Product structure decomposition

Step 11

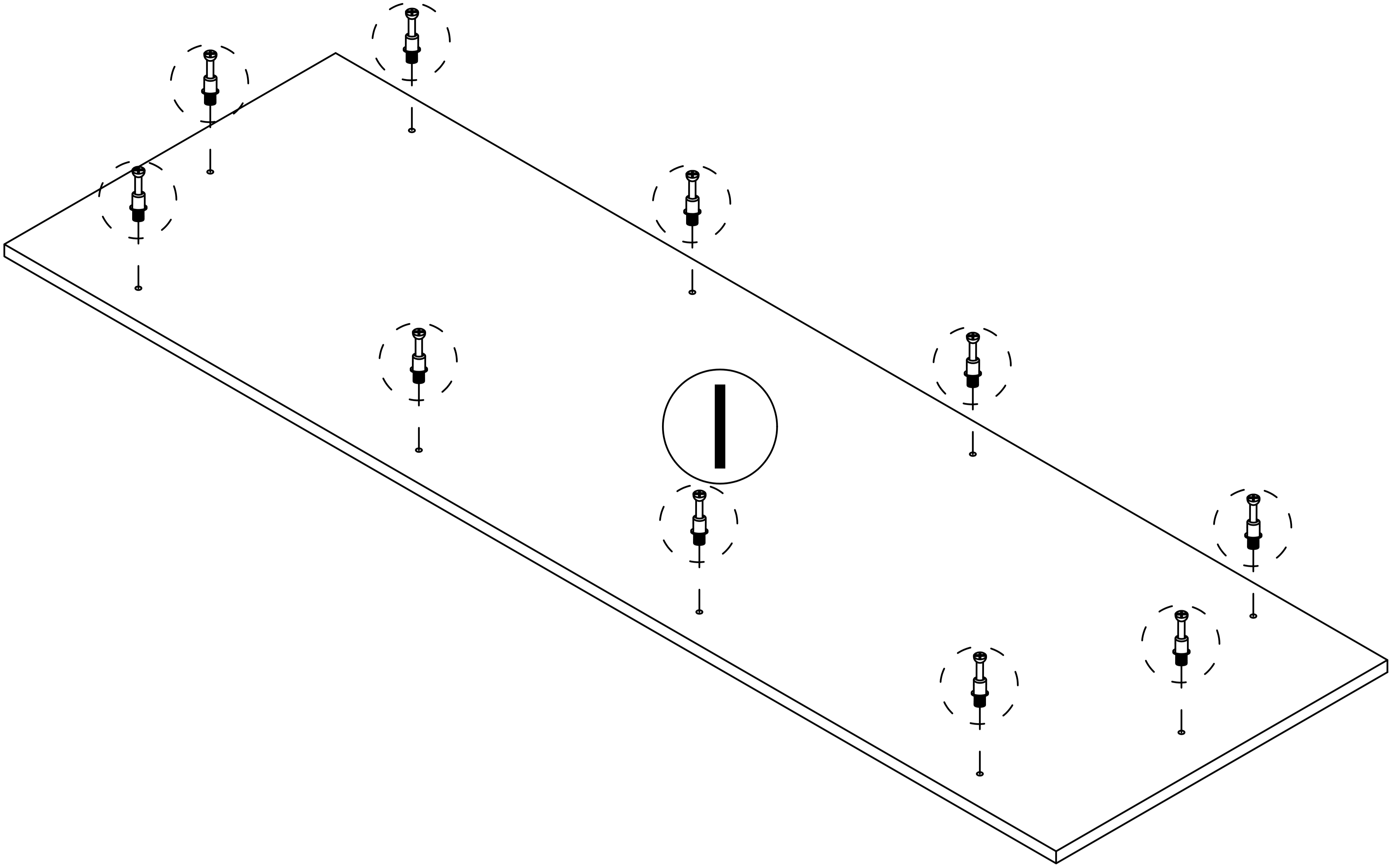
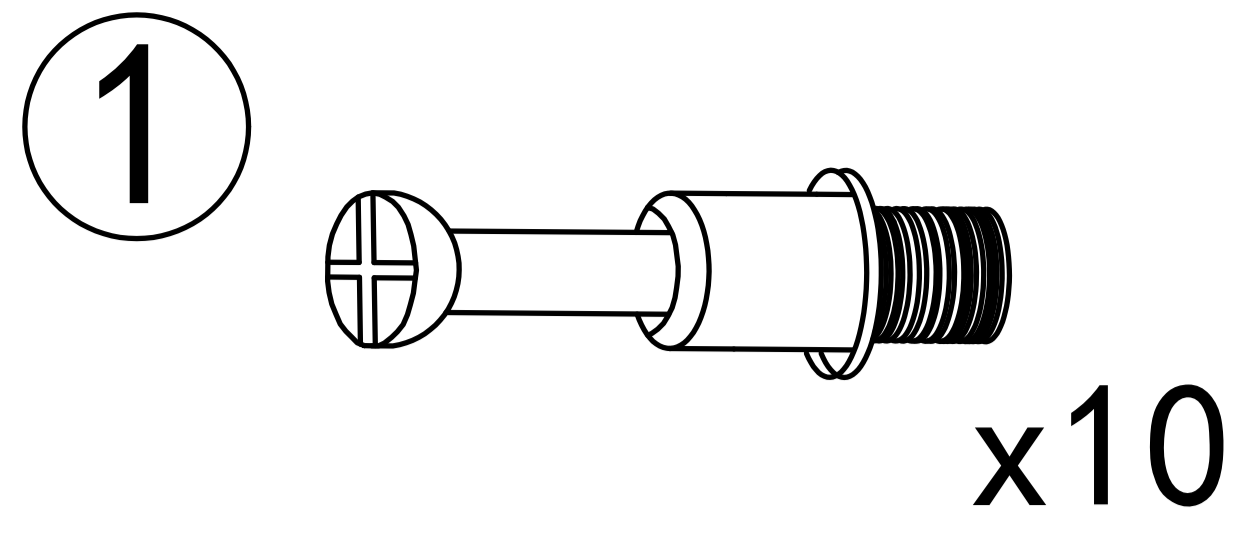


Steps and objects x2

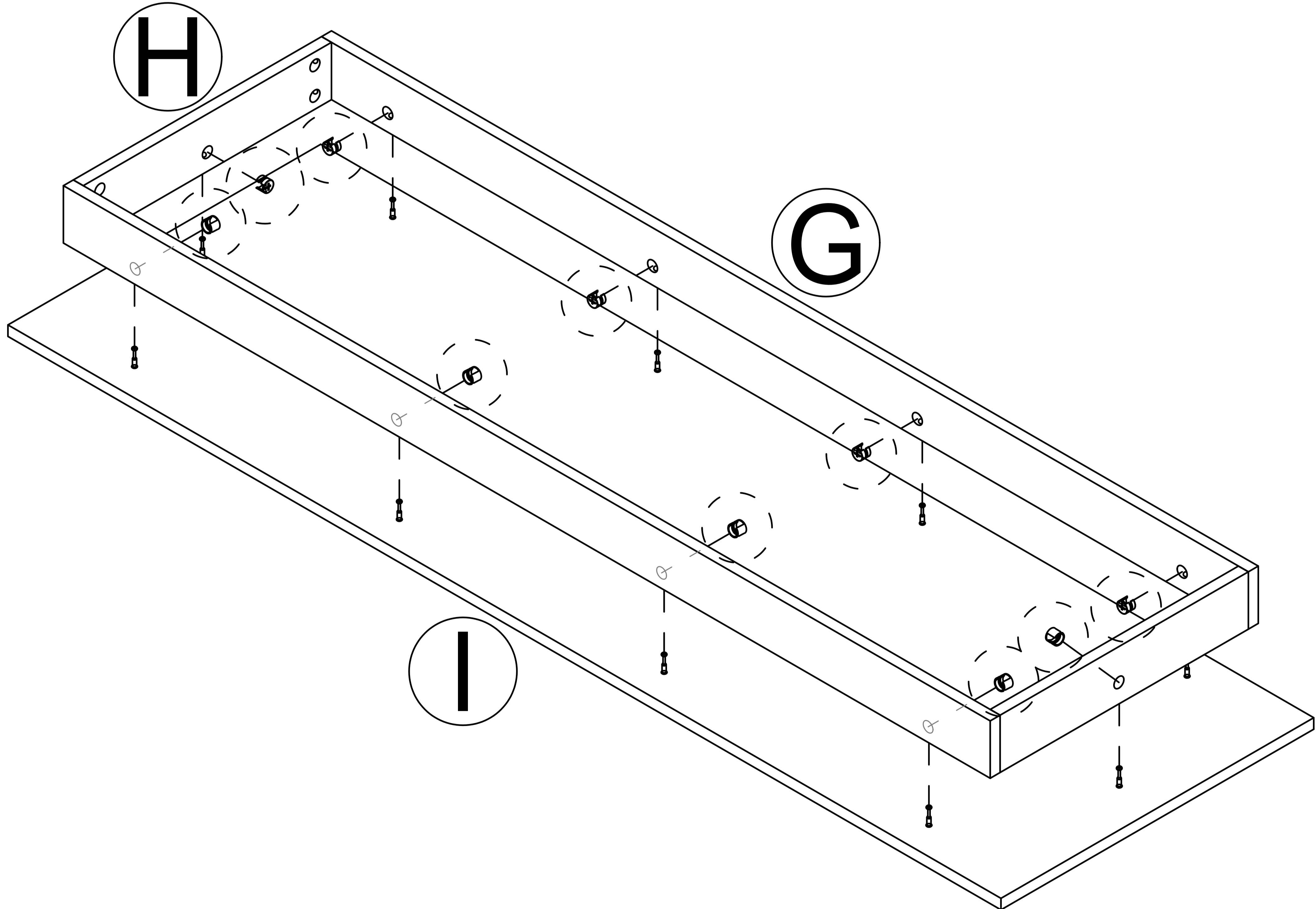
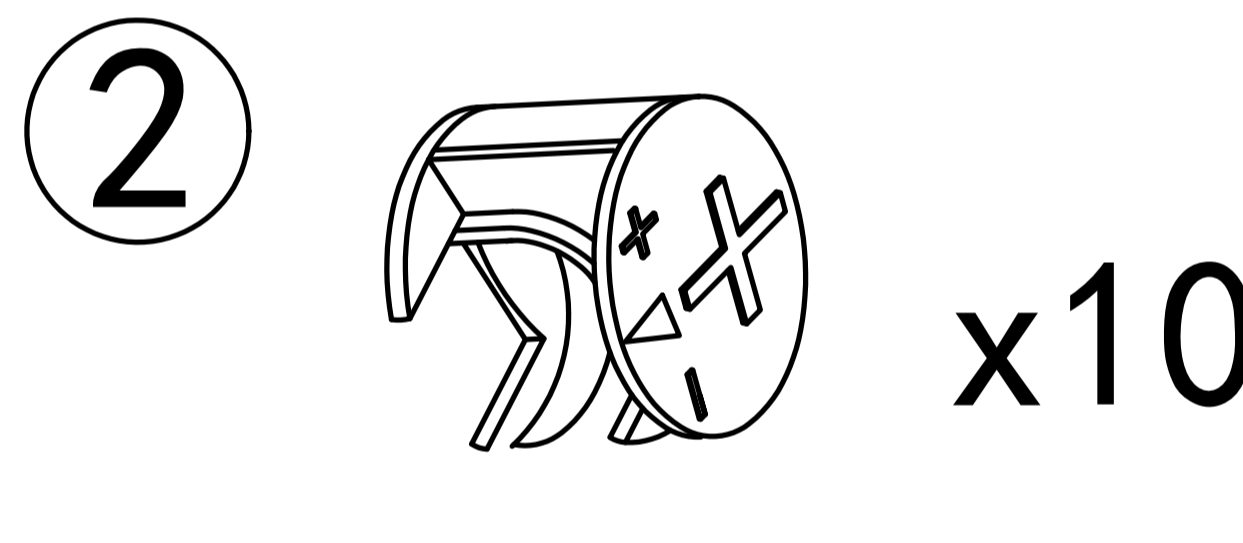
Step 12



Step 13

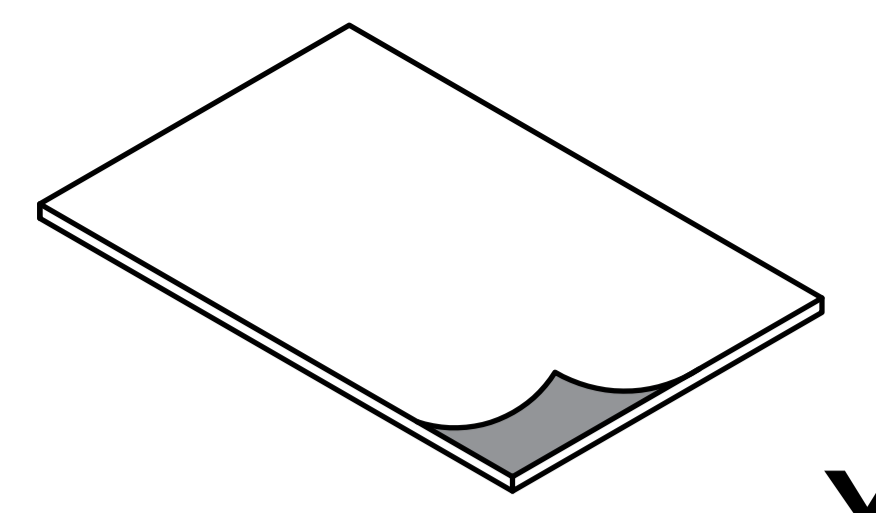


Step 14

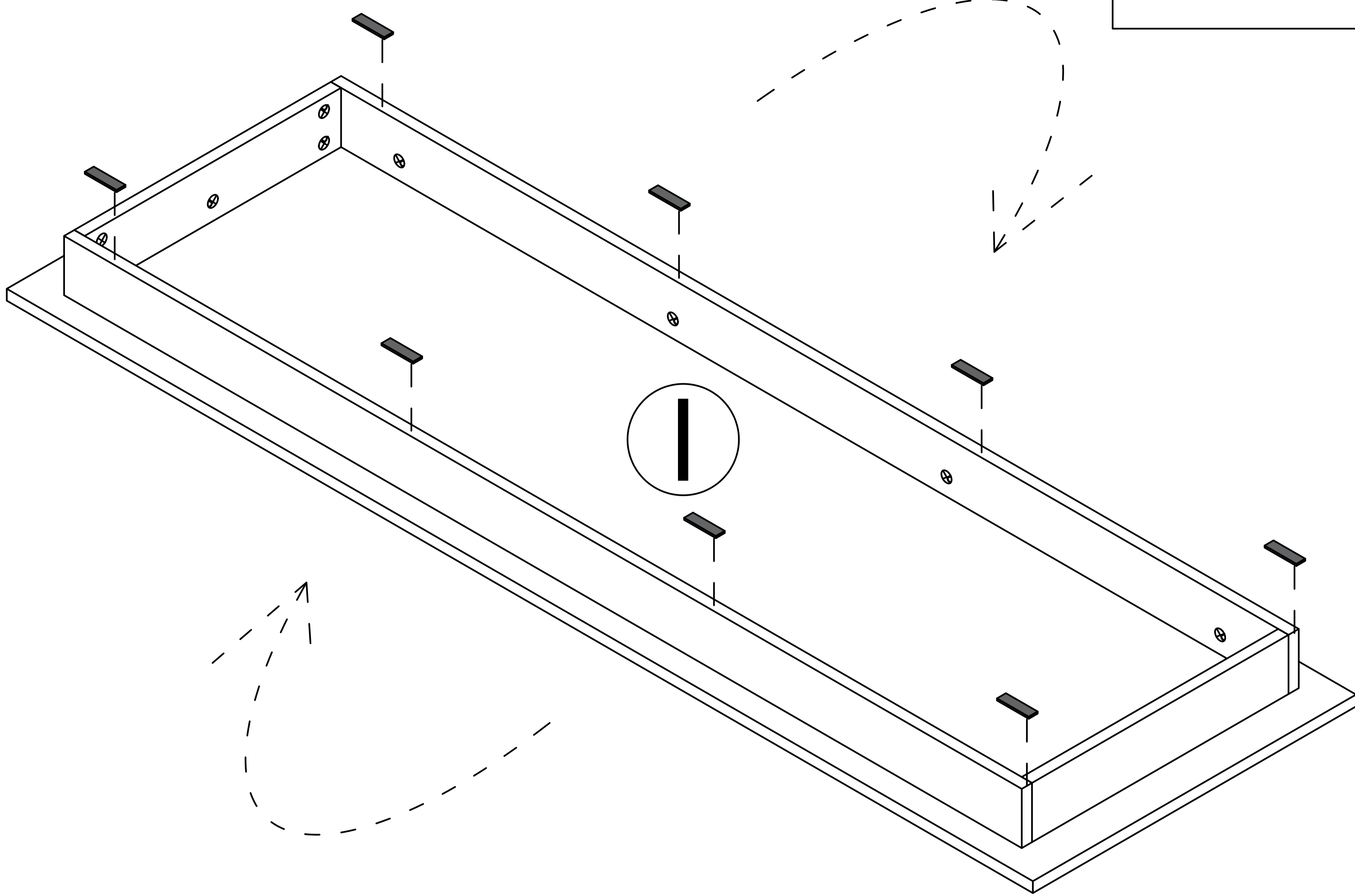


Step 15

5



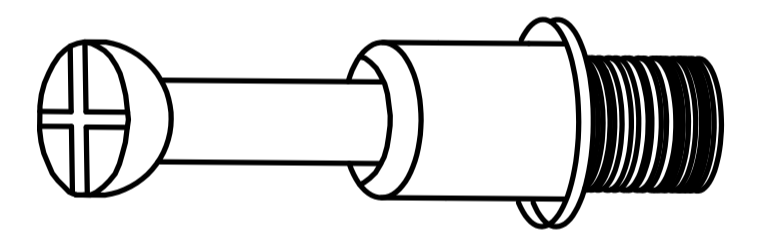
x8



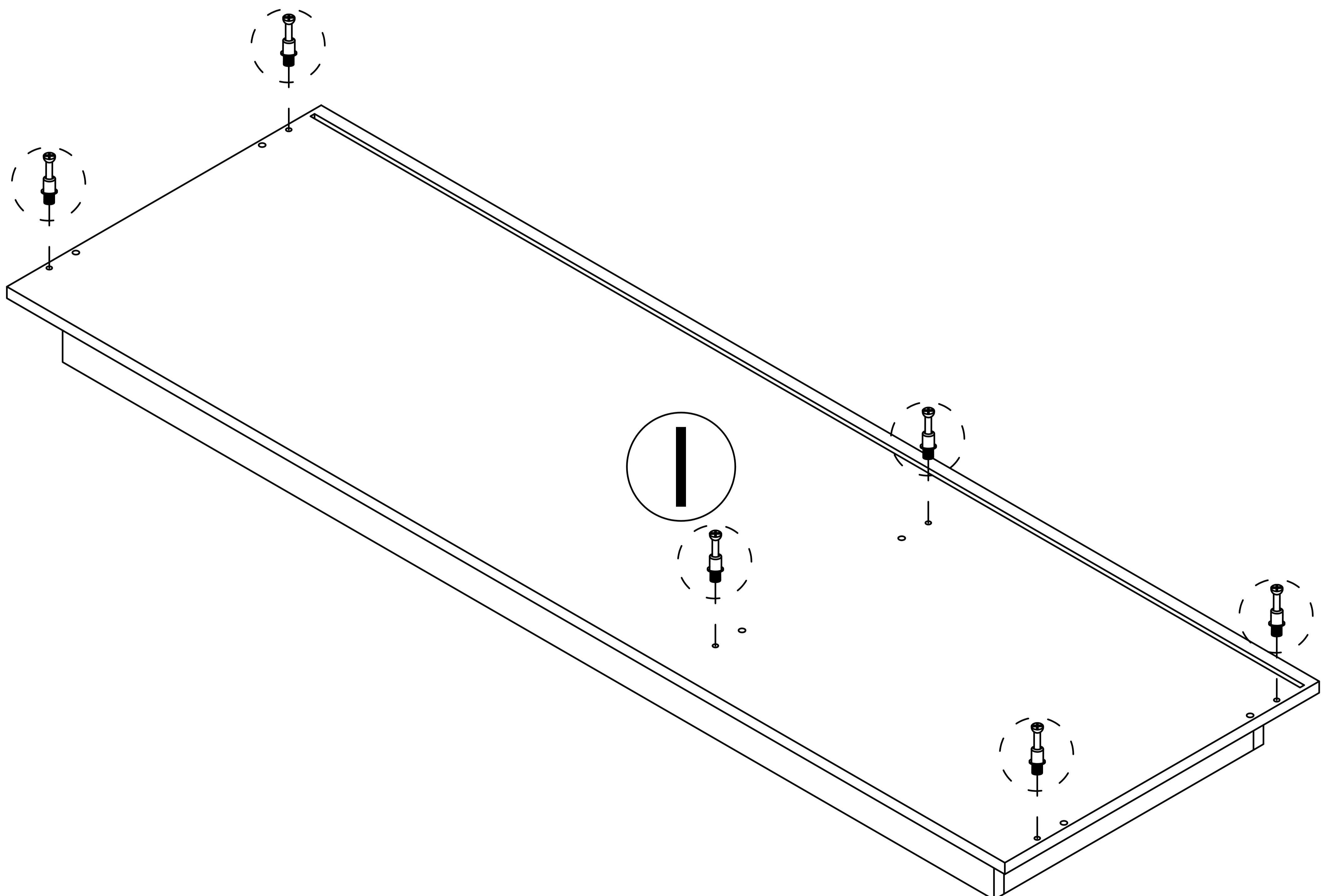
Tear off release paper and stick the black foot pad on the board

Step 16

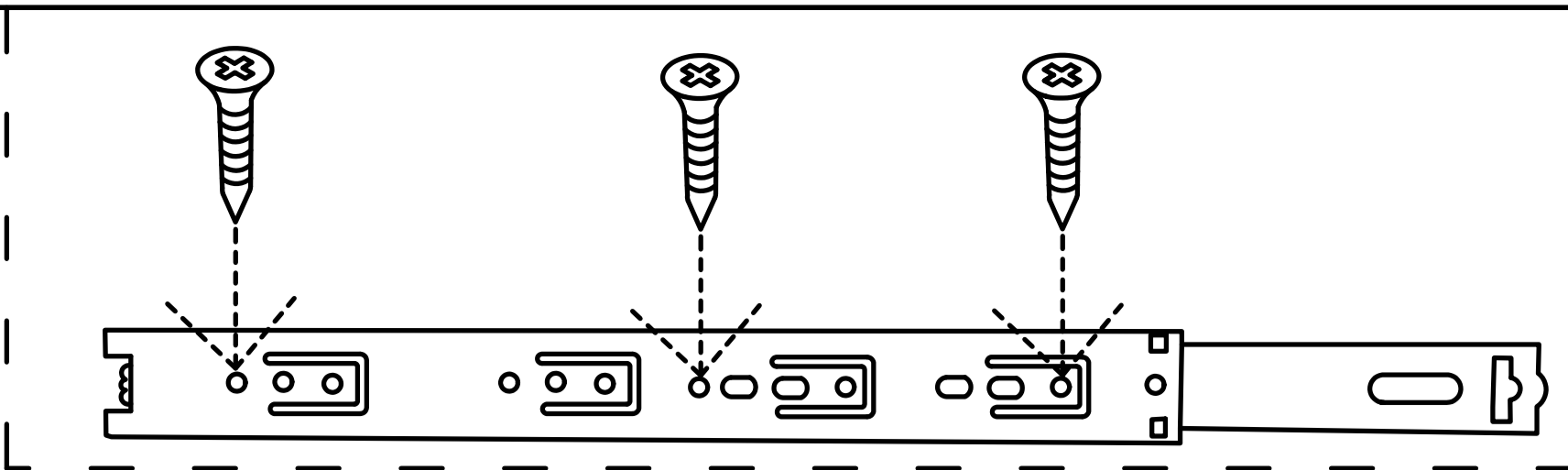
1



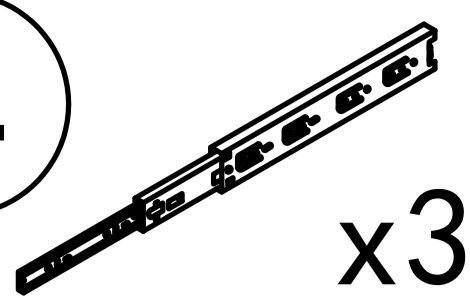
x6



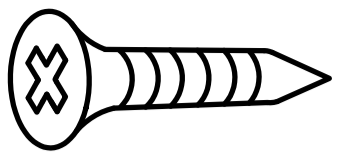
Step 17



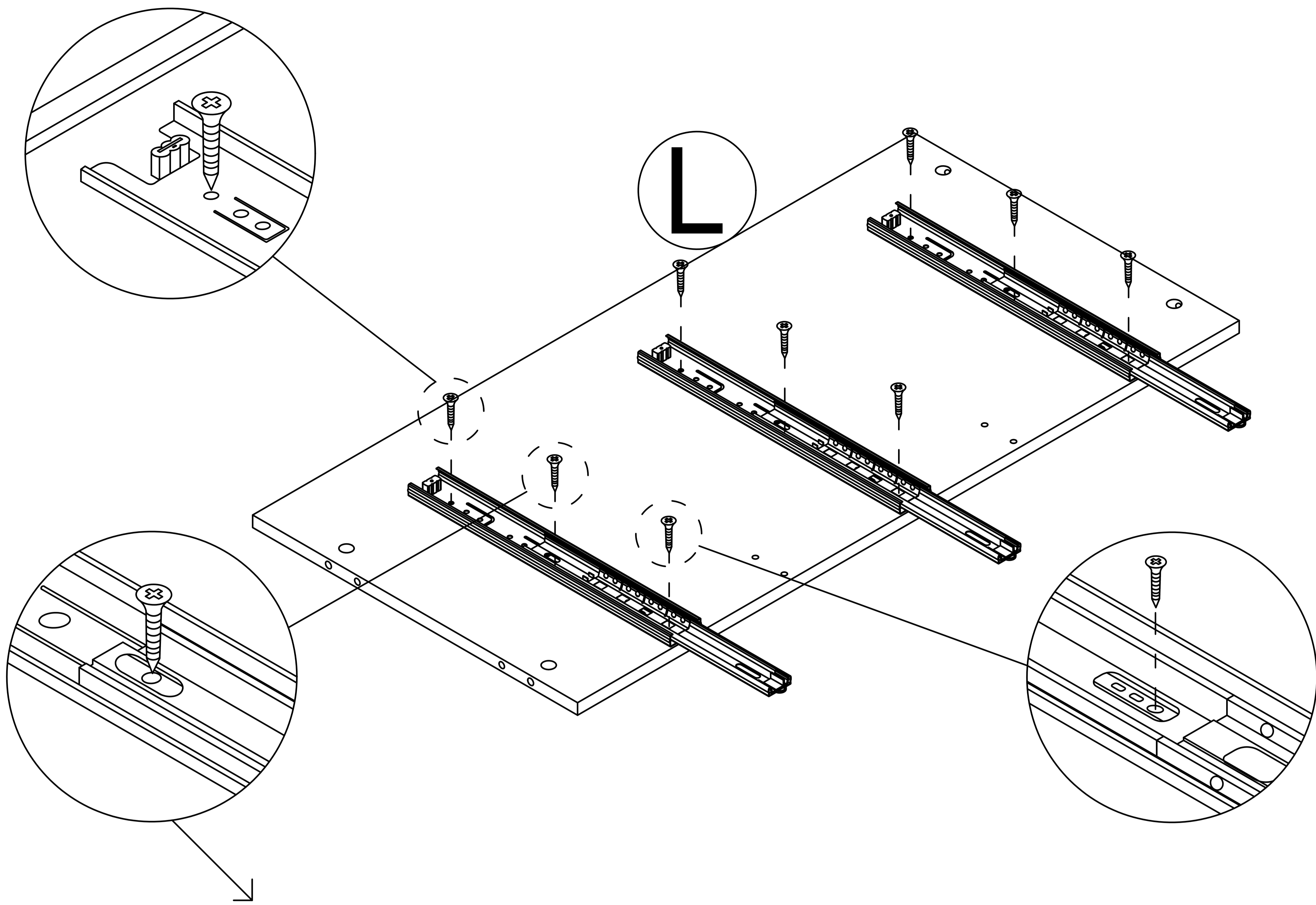
4



x3



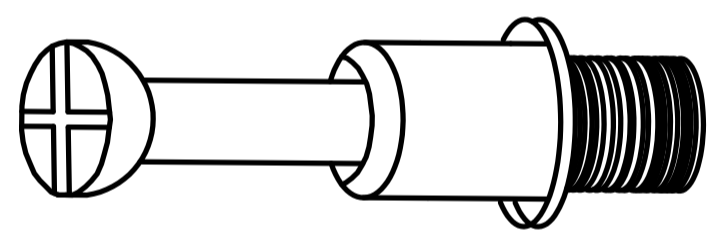
x9



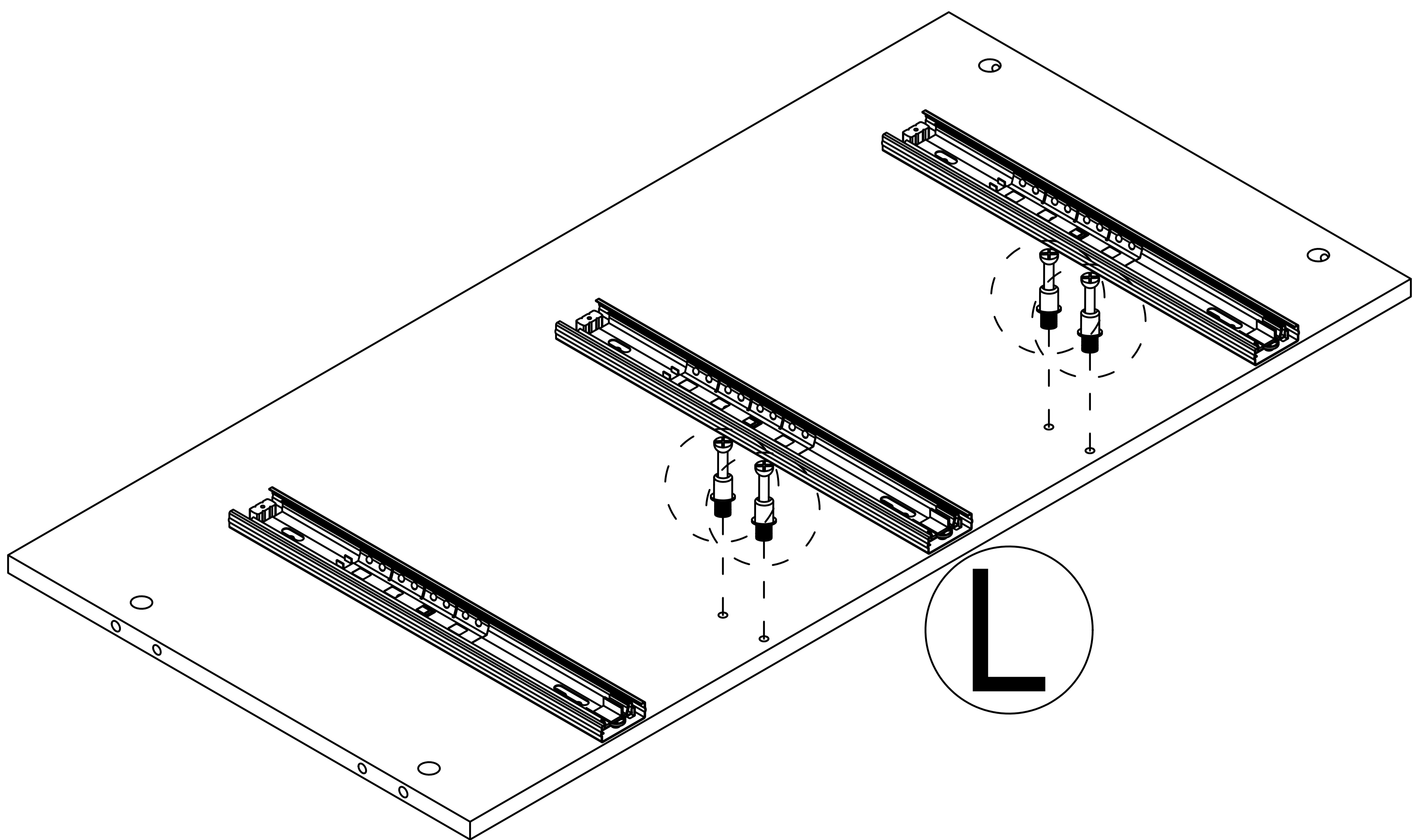
This hole is for strengthening fixed hole customers can choose to install according to their needs.

Step 18

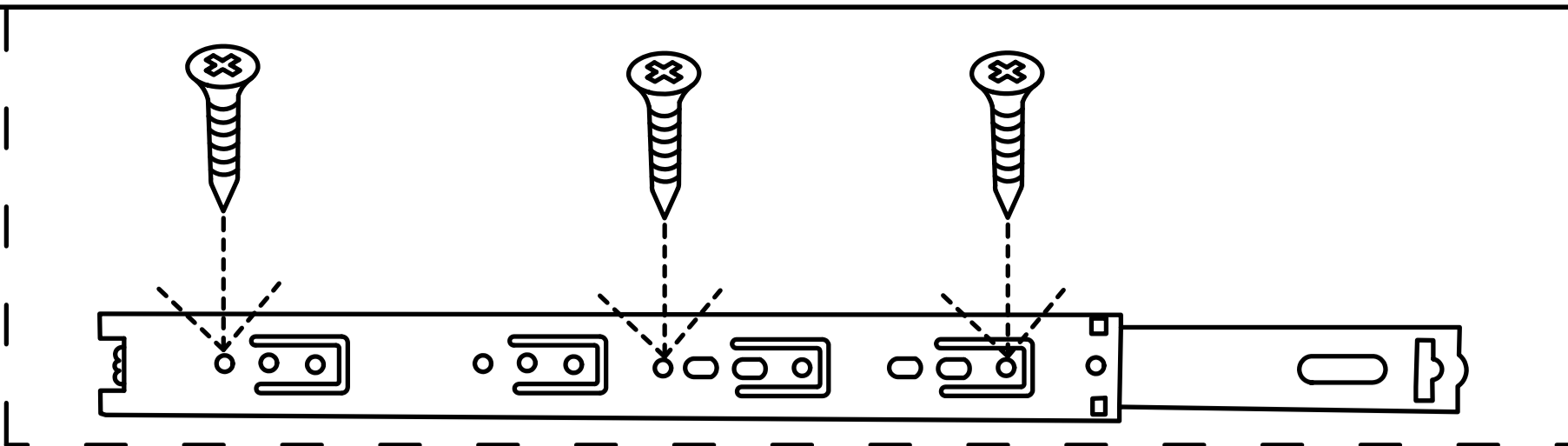
1



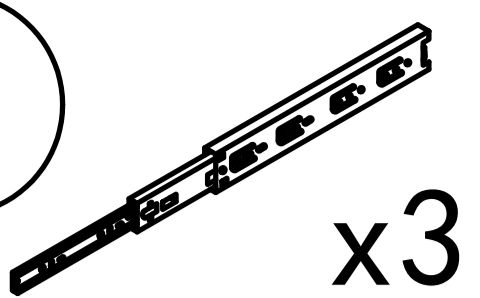
x4



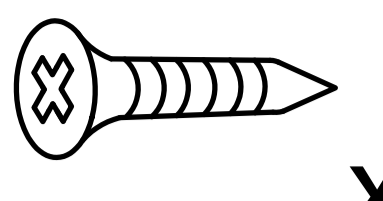
Step 19



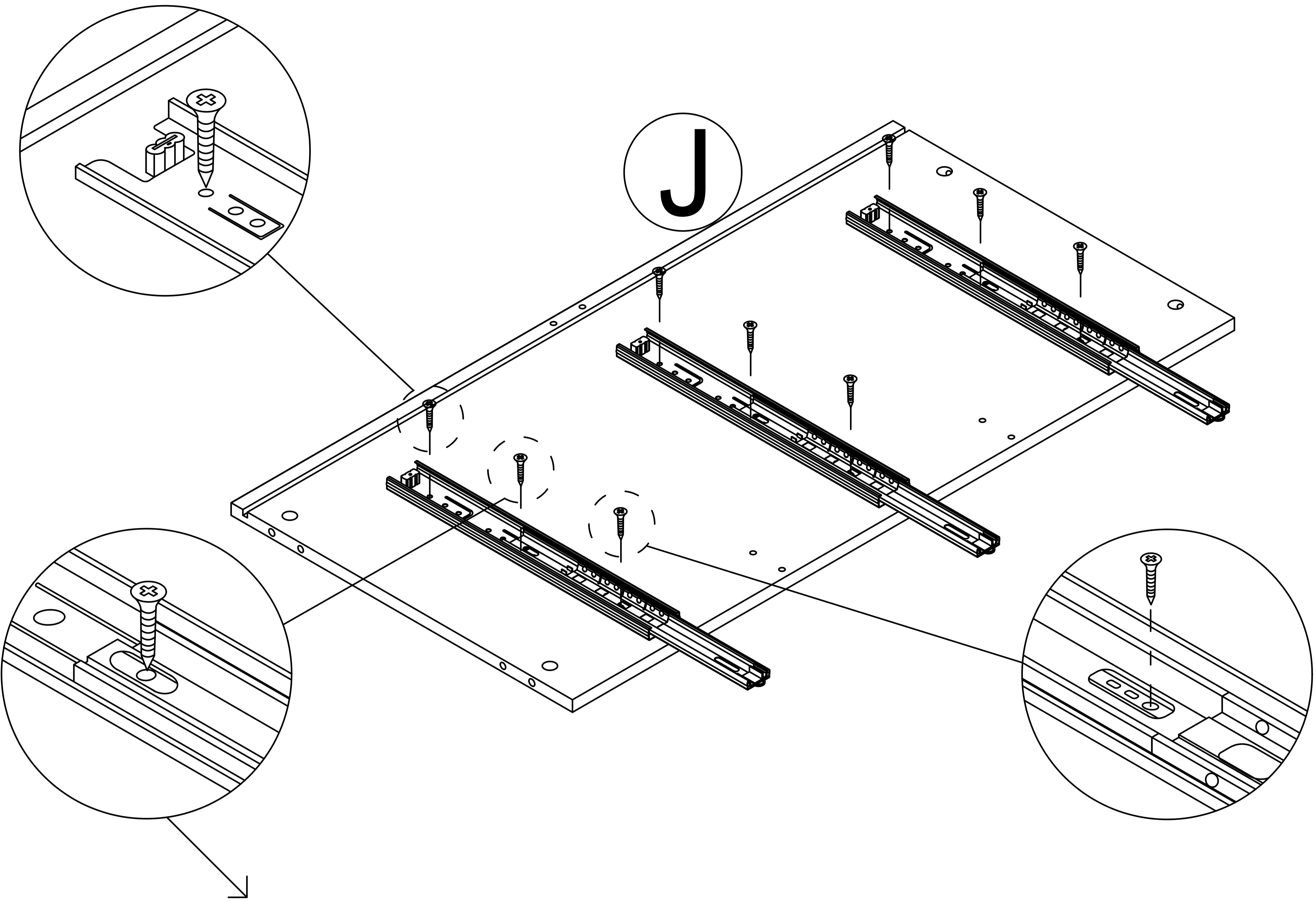
4



x3



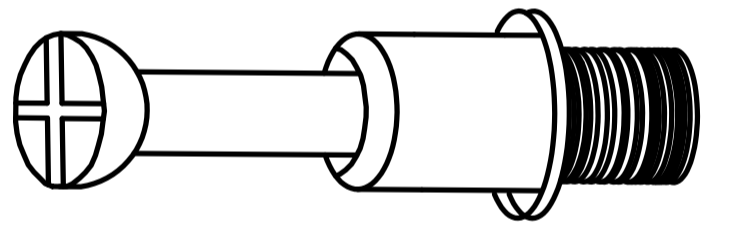
x9



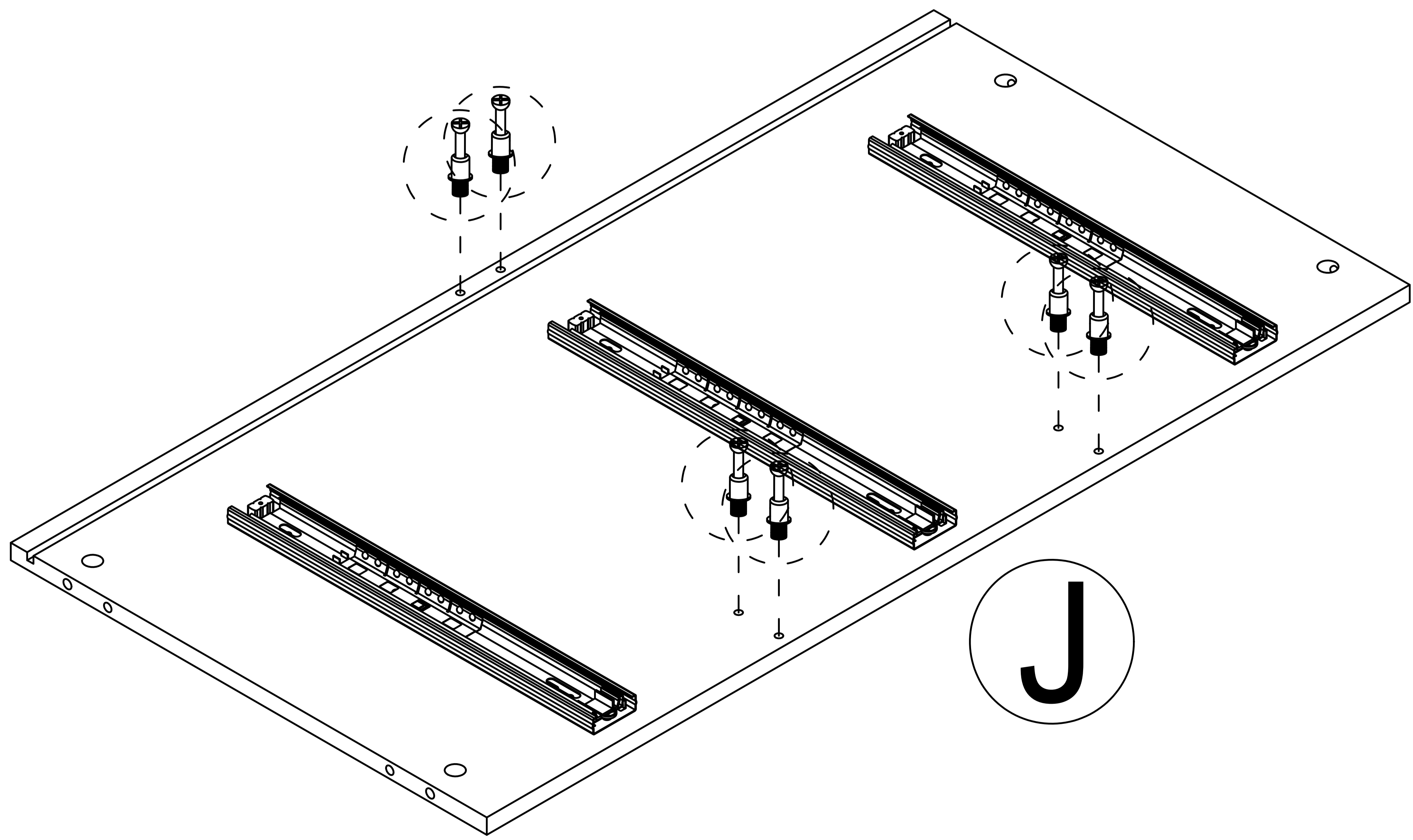
This hole is for strengthening fixed hole customers can choose to install according to their needs.

Step 20

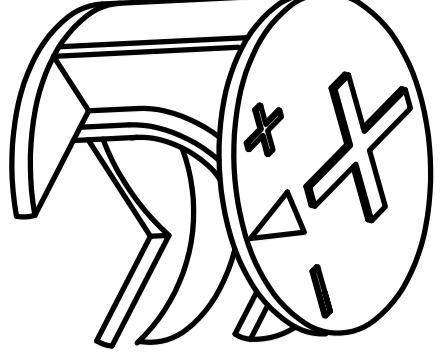
1

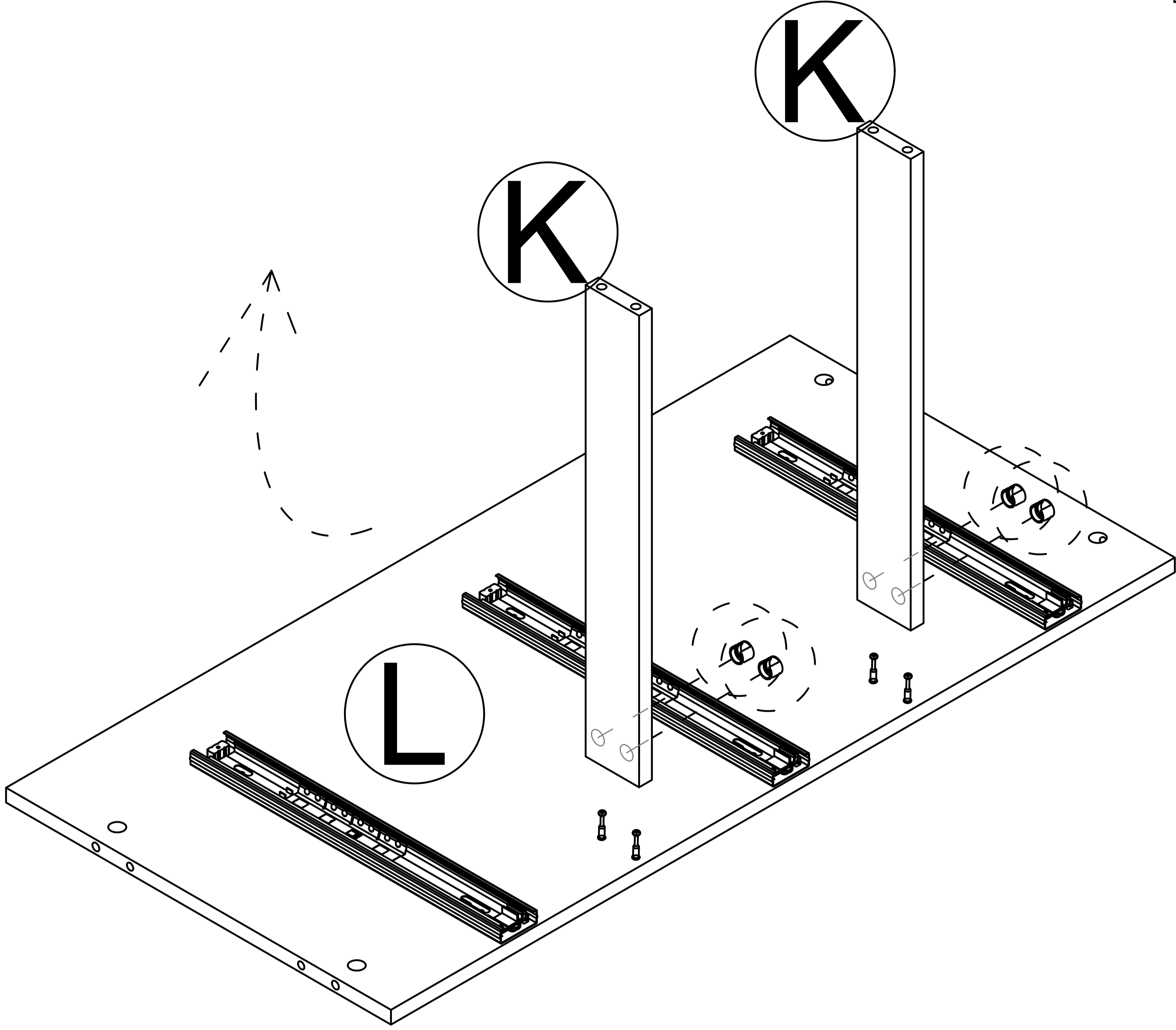


x6

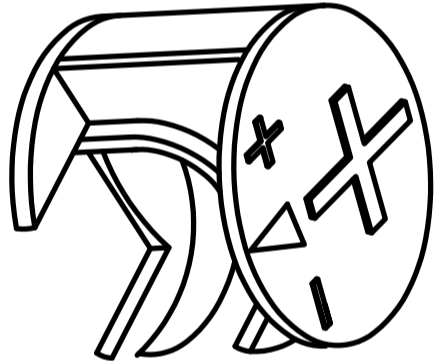


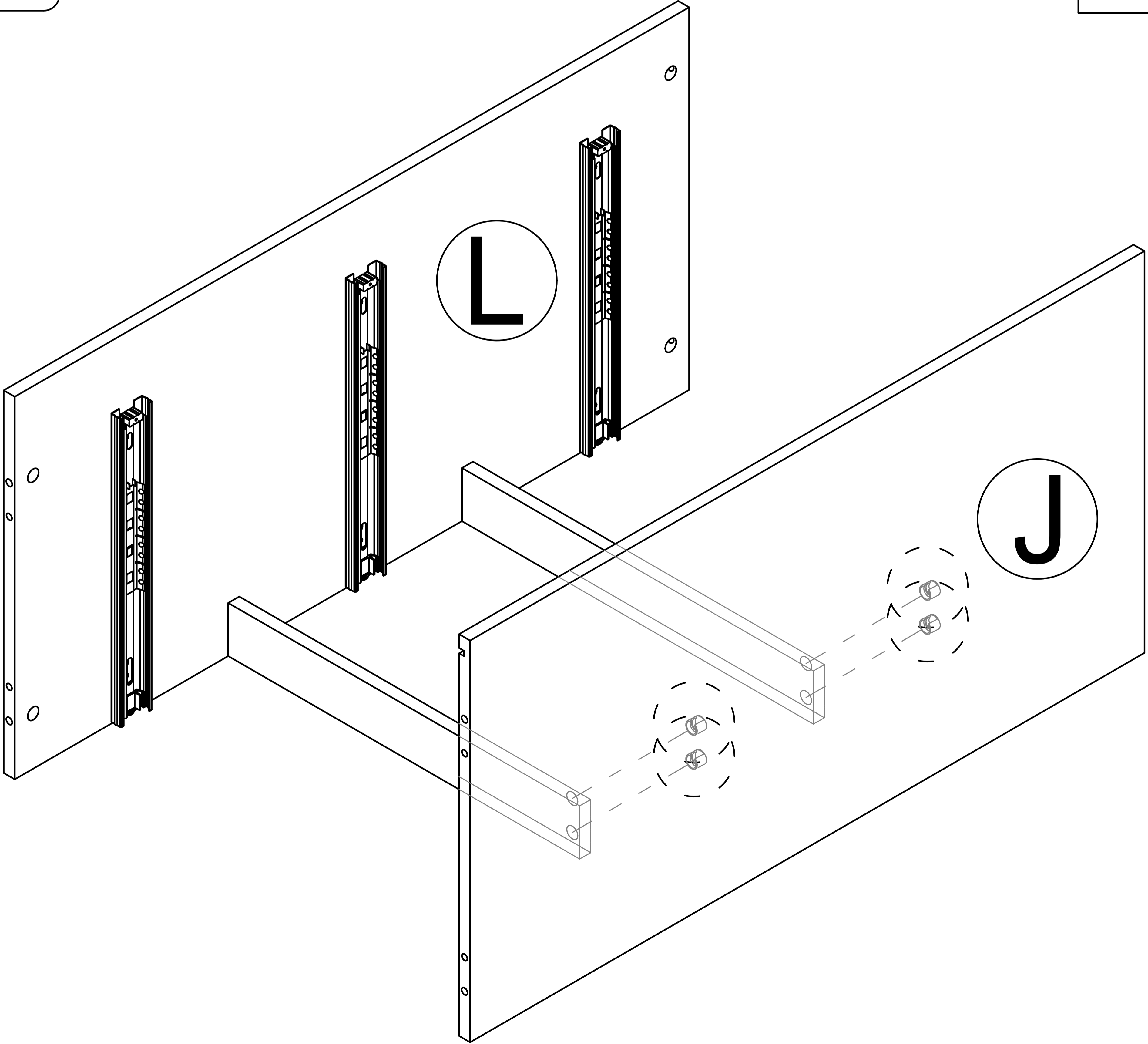
Step 21

2  x4



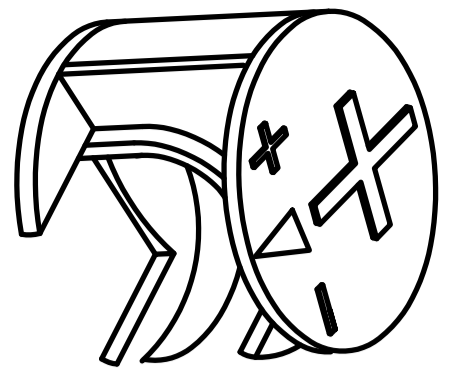
Step 22

2  x4

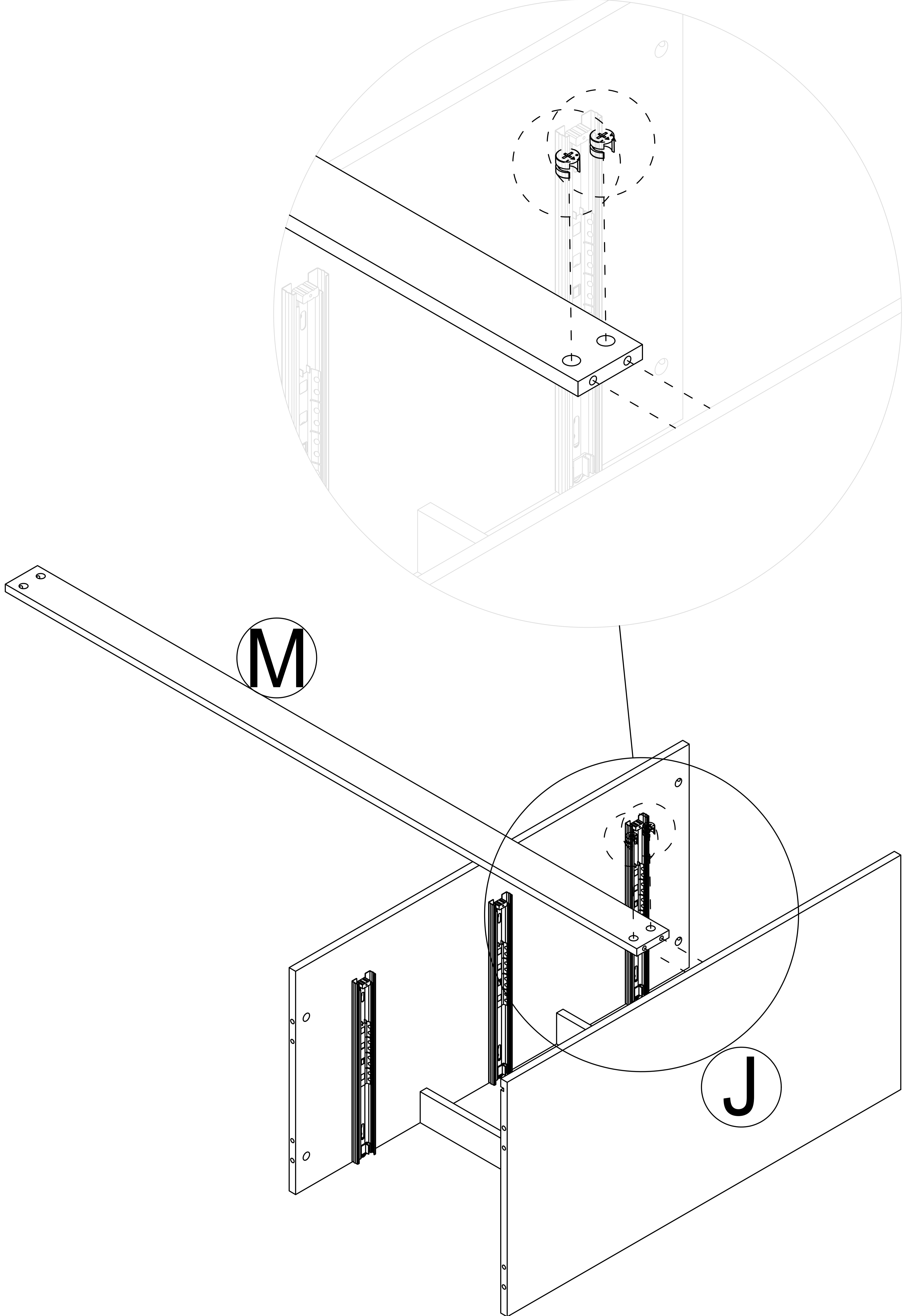


Step 23

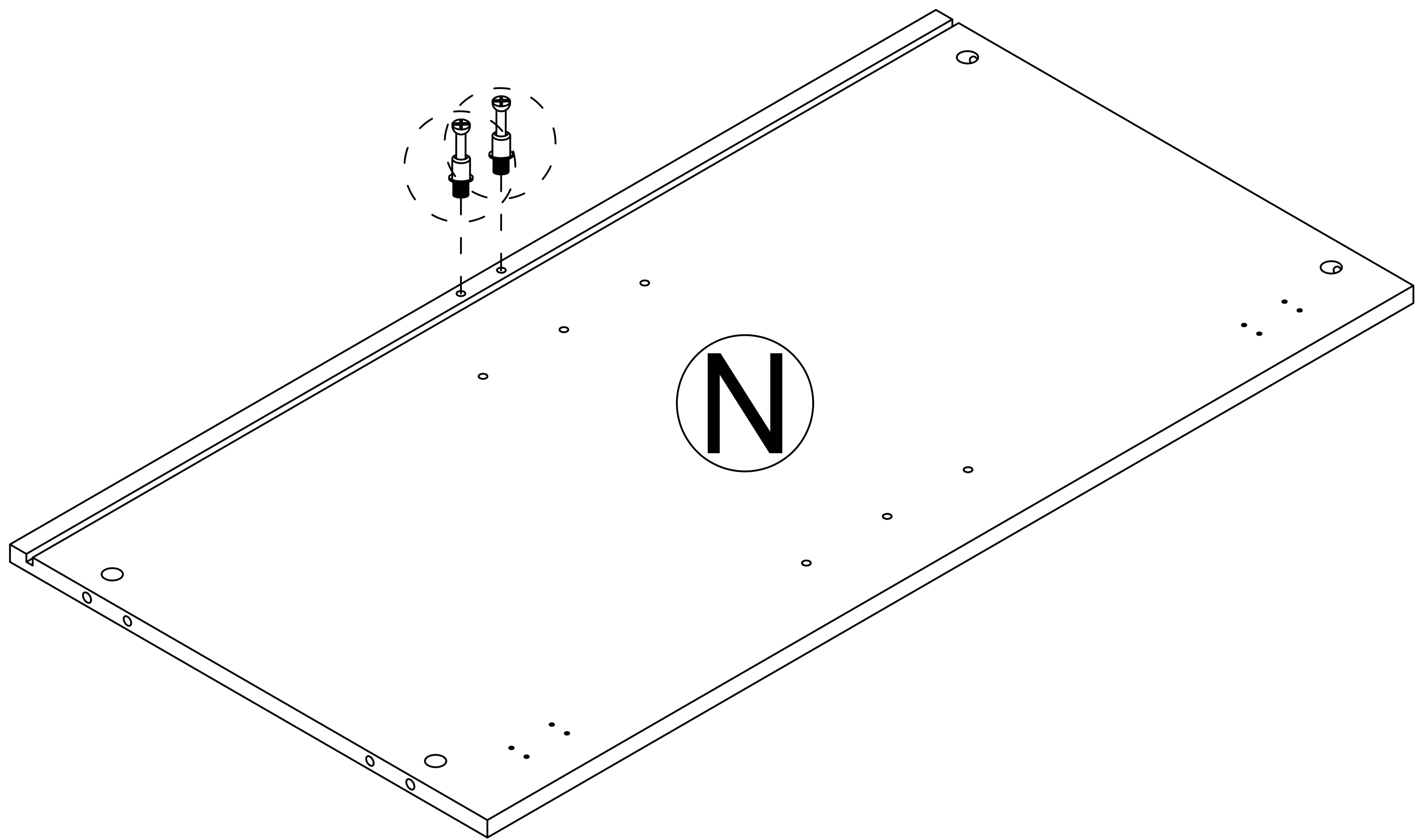
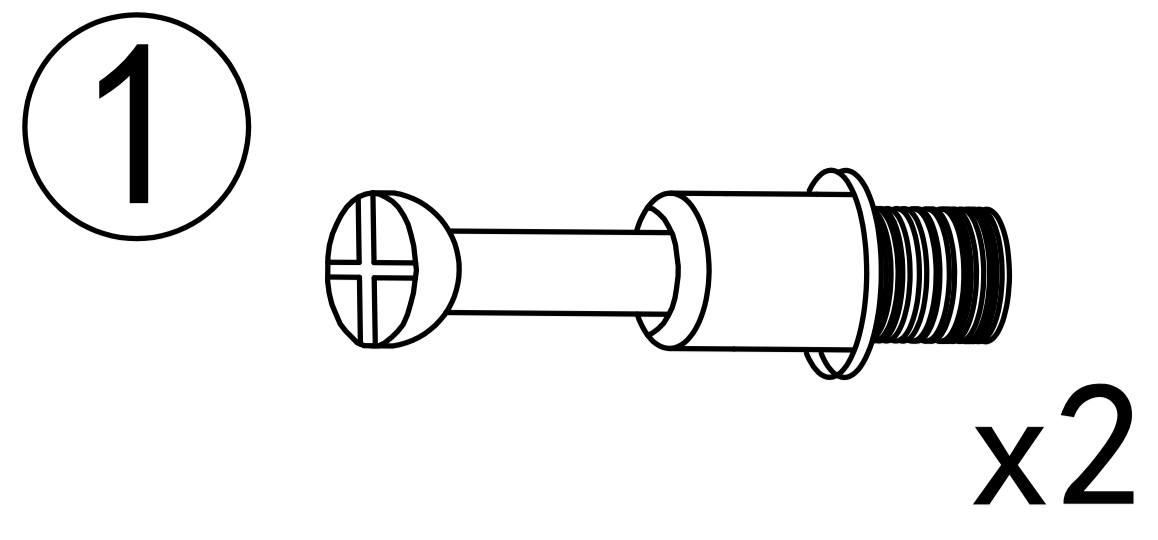
2



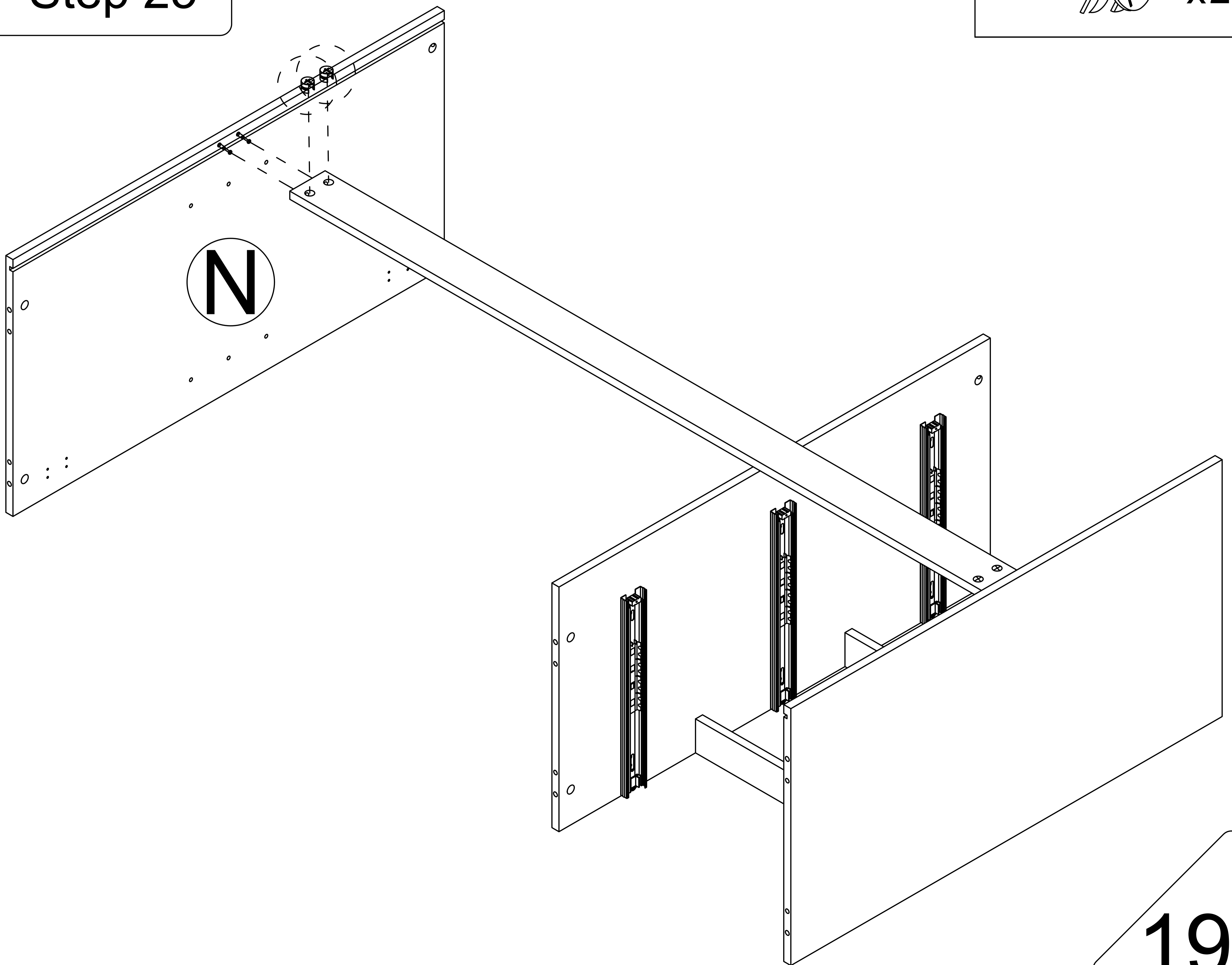
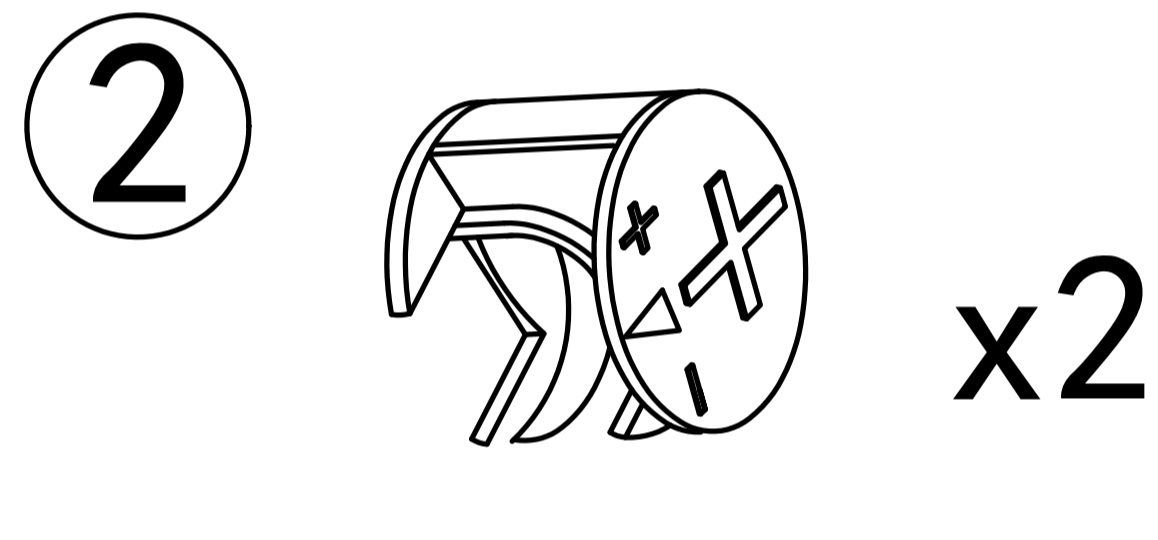
x2



Step 24



Step 25

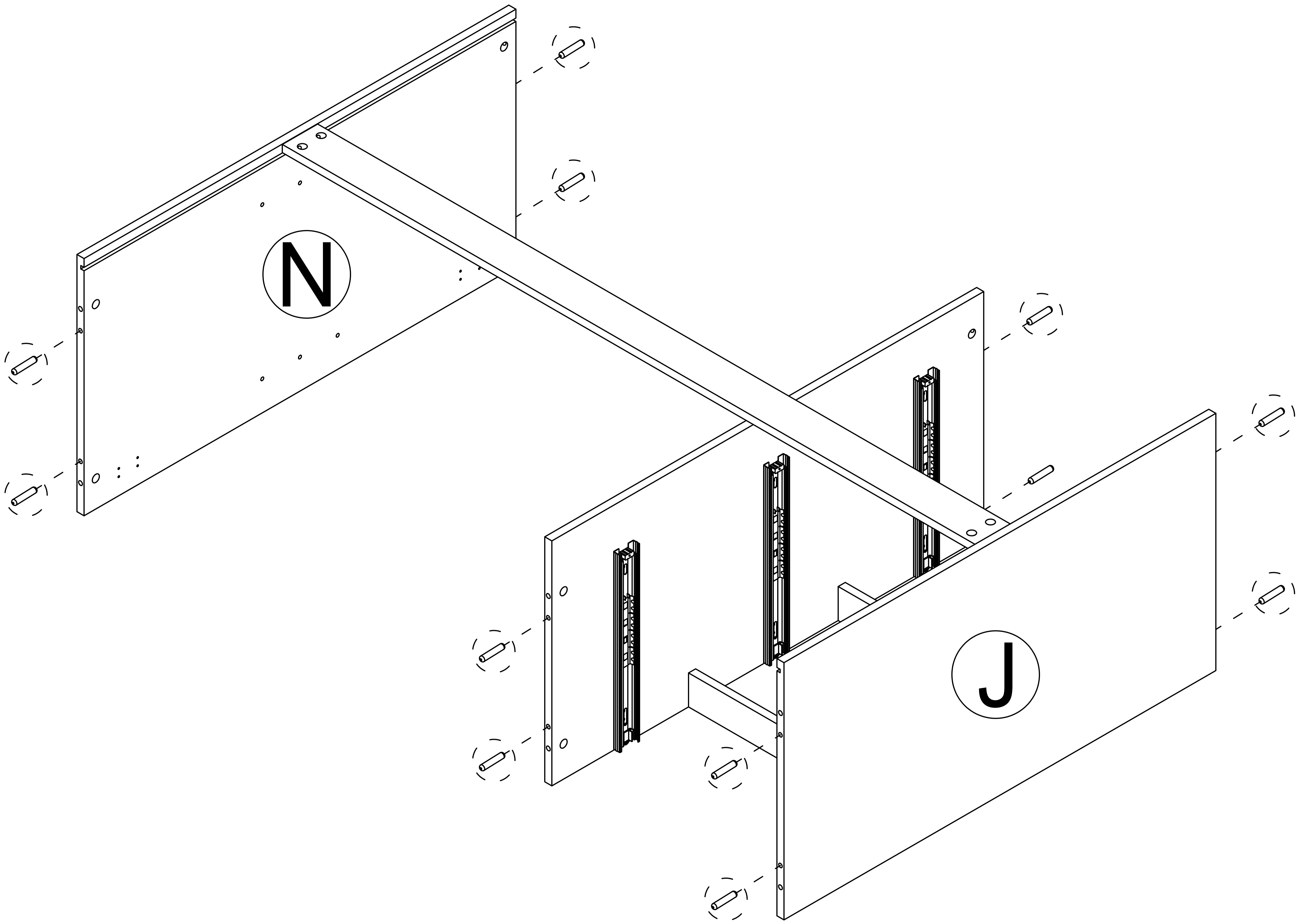


Step 26

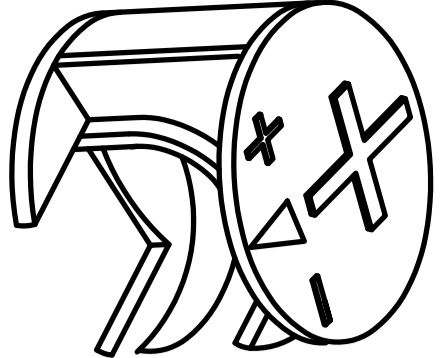
3

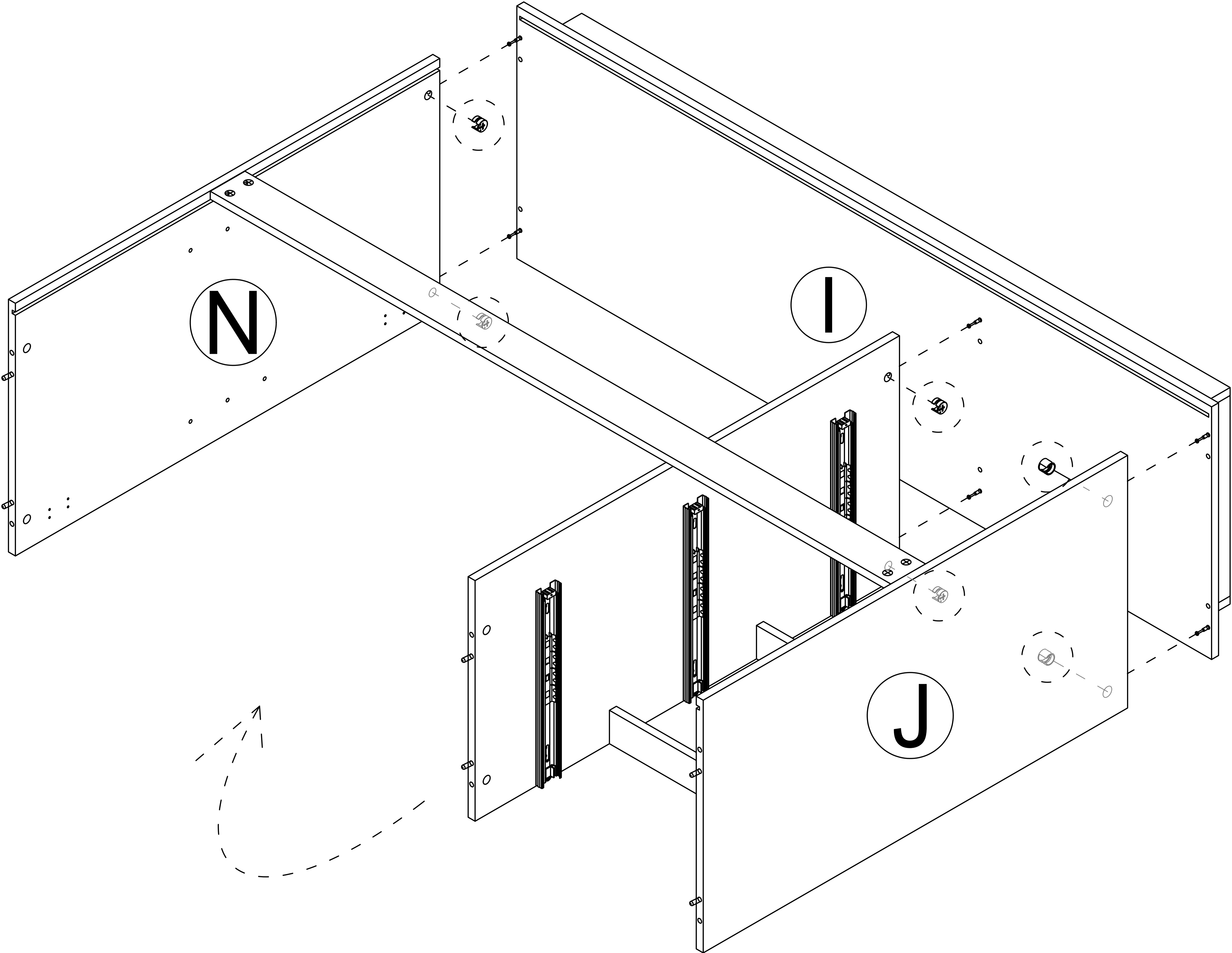


x12

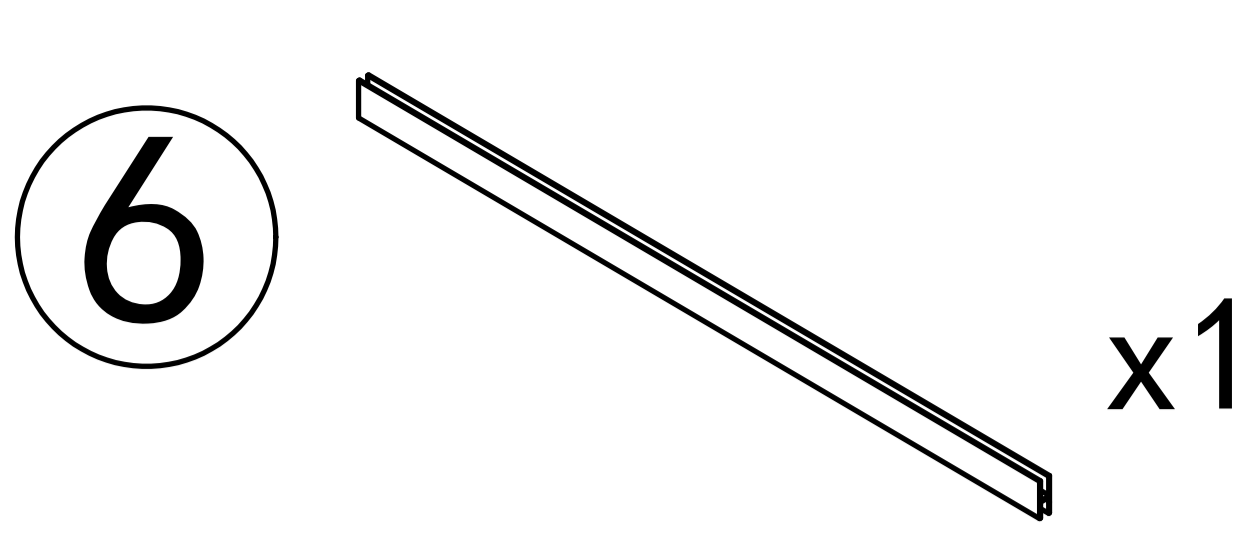


Step 27

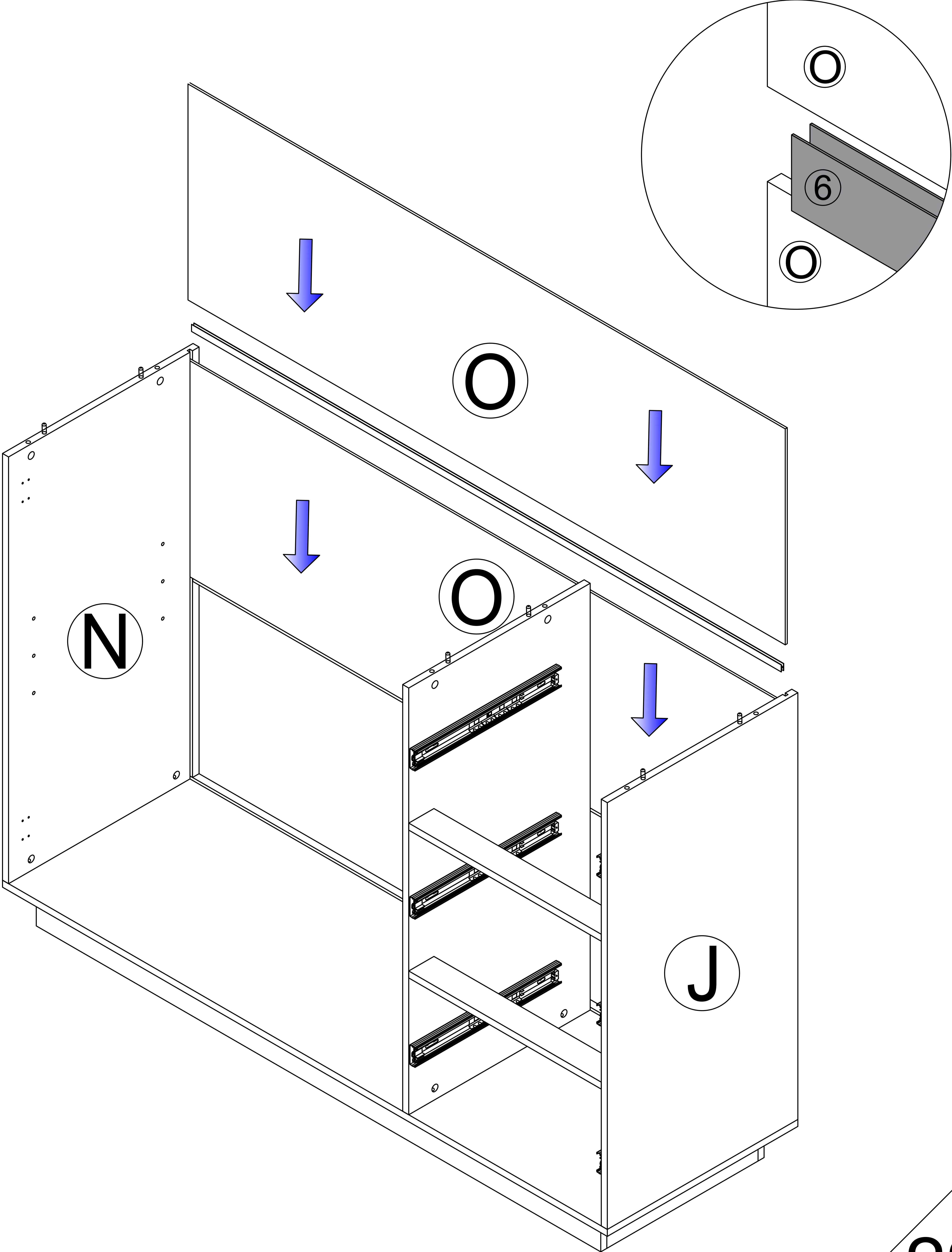
2  x6



Step 28

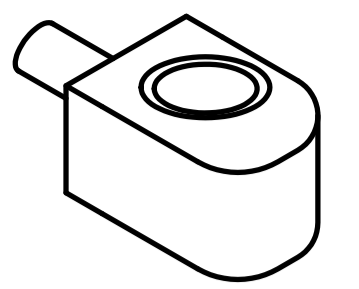


Place the "O" board, Backboard card strip, and "O" board in order

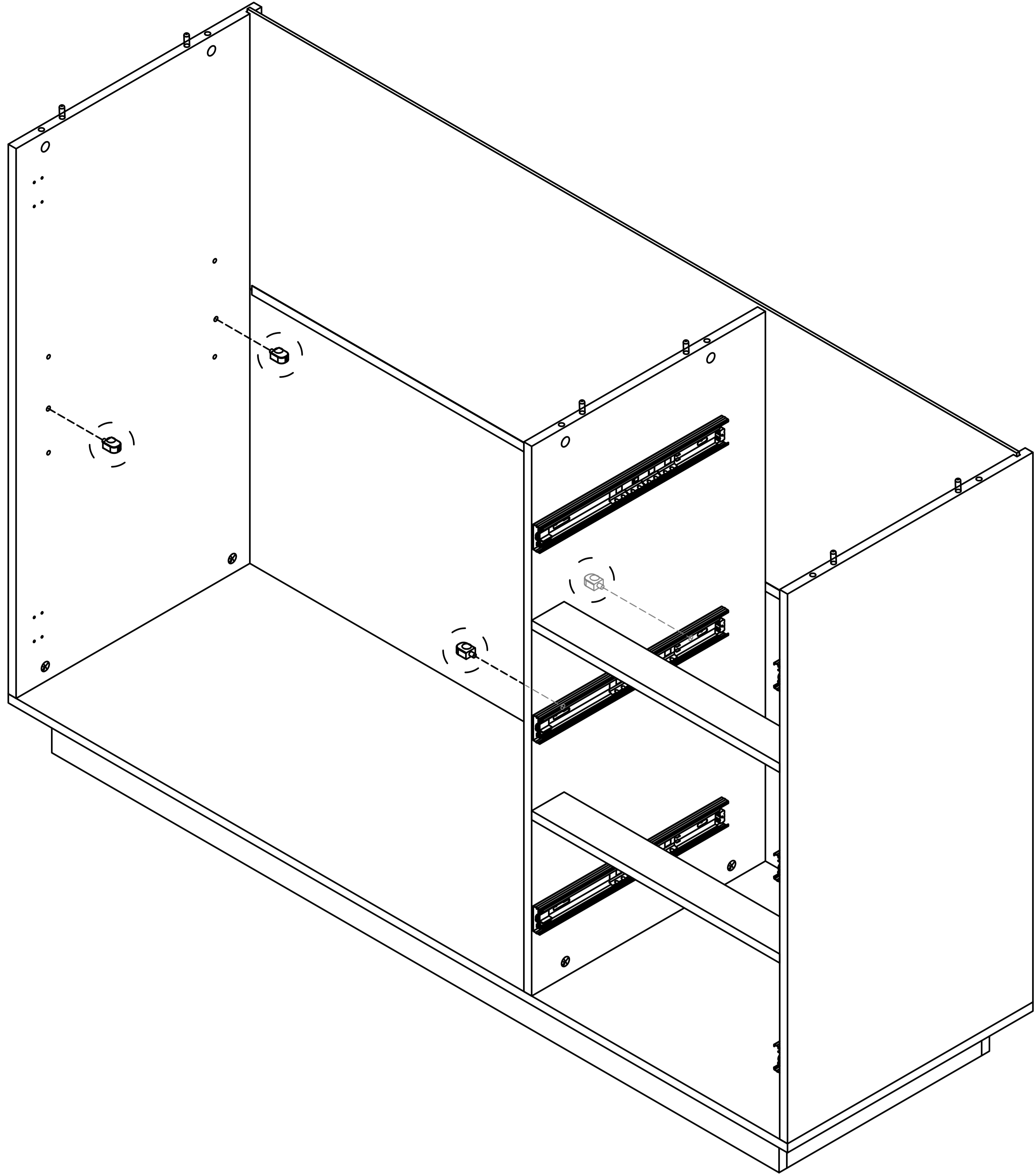


Step 29

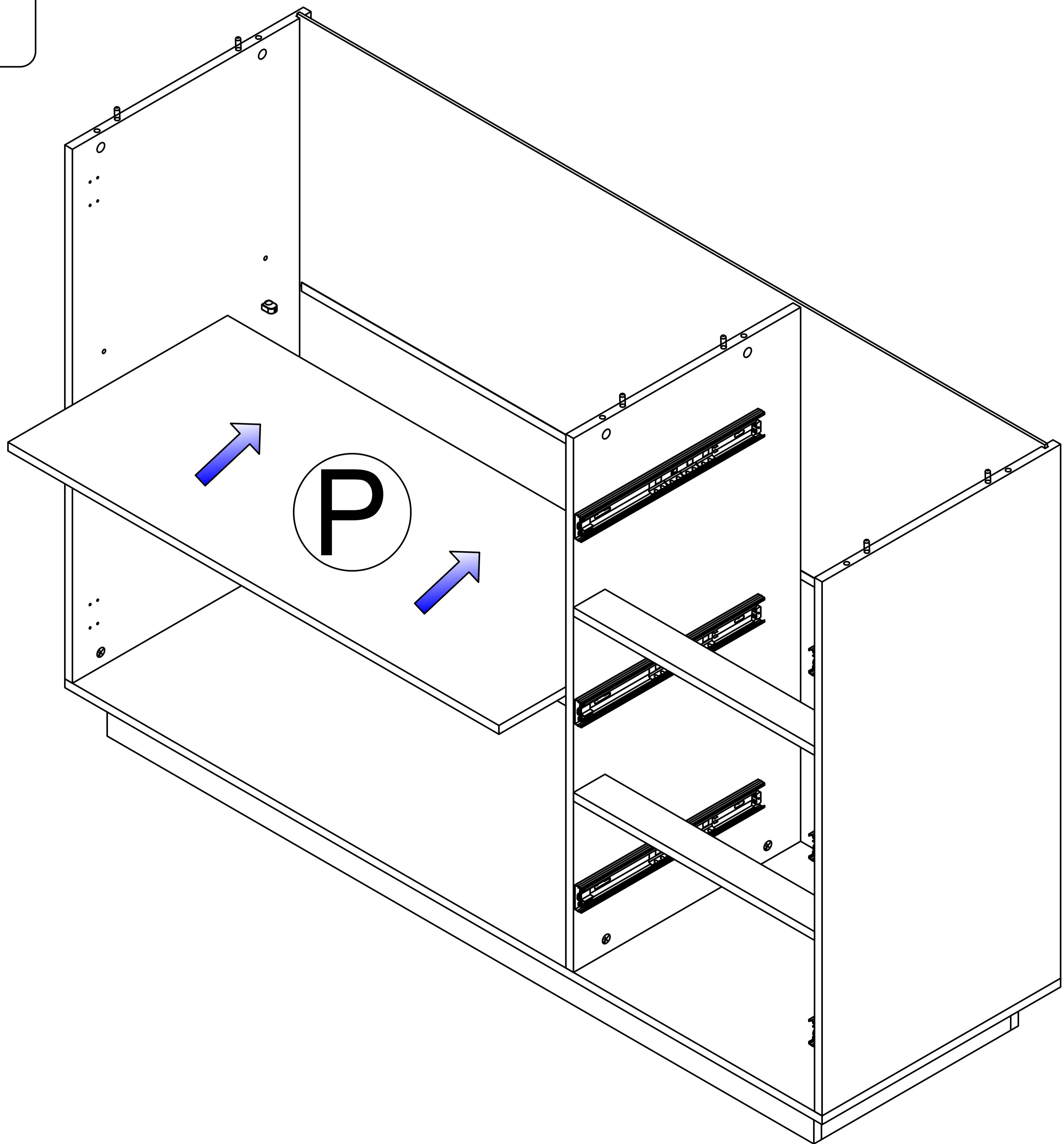
7



x4

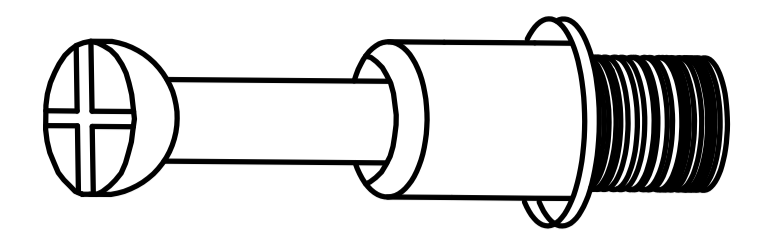


Step 30

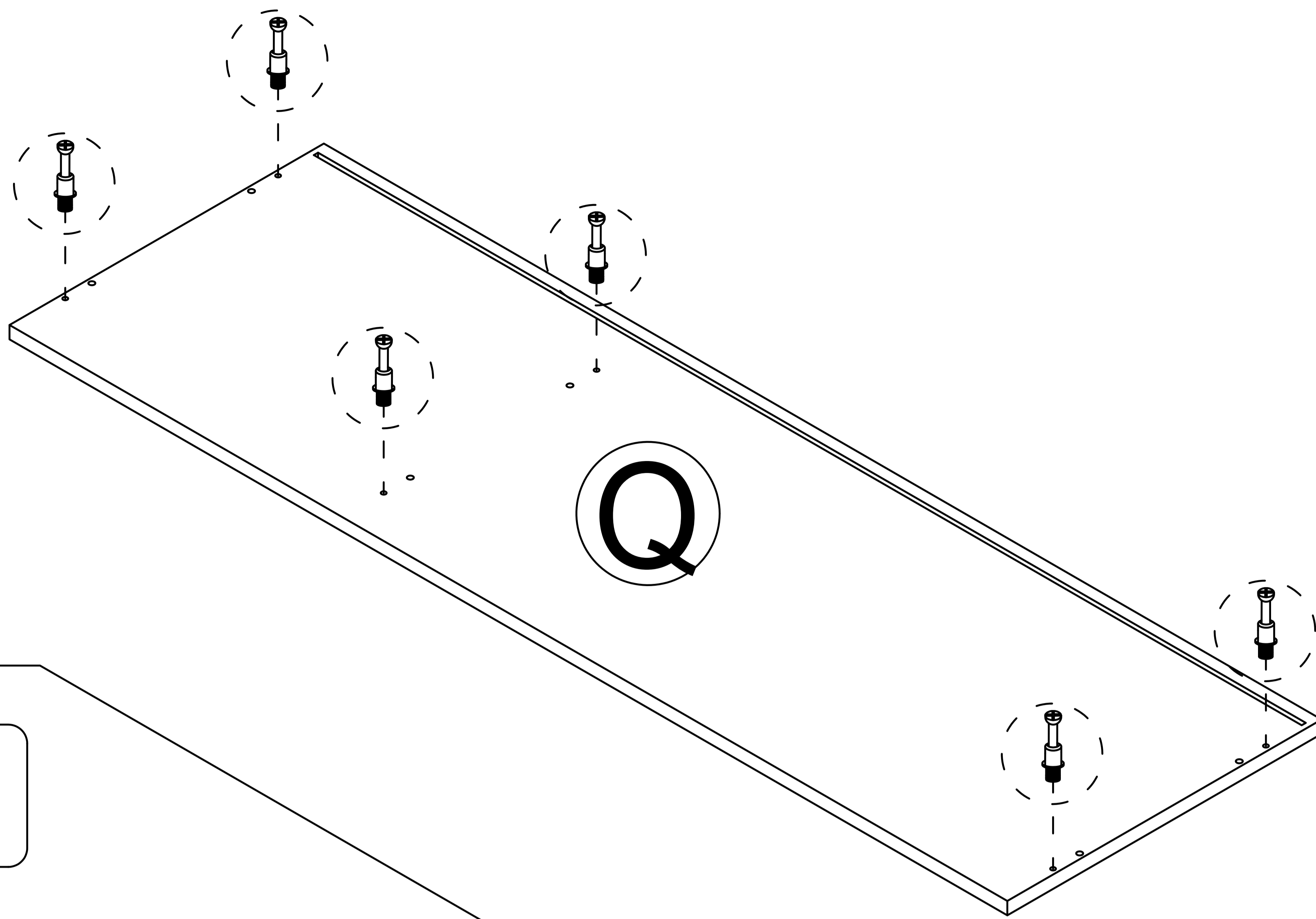


Step 31

1

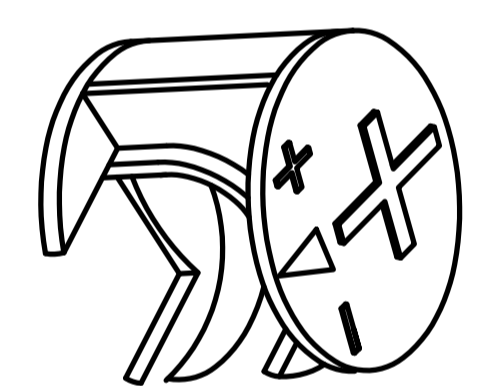


x6

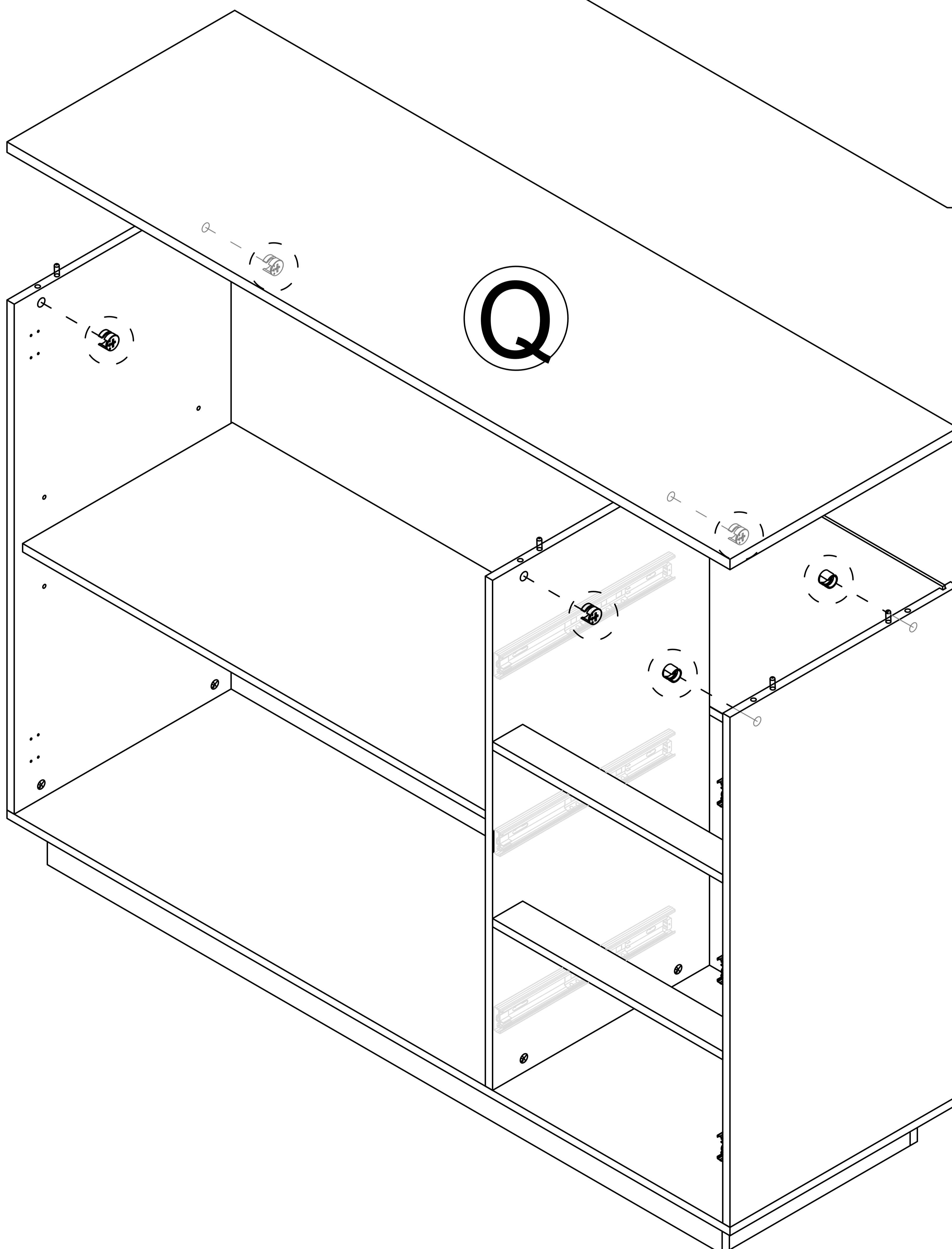


Step 32

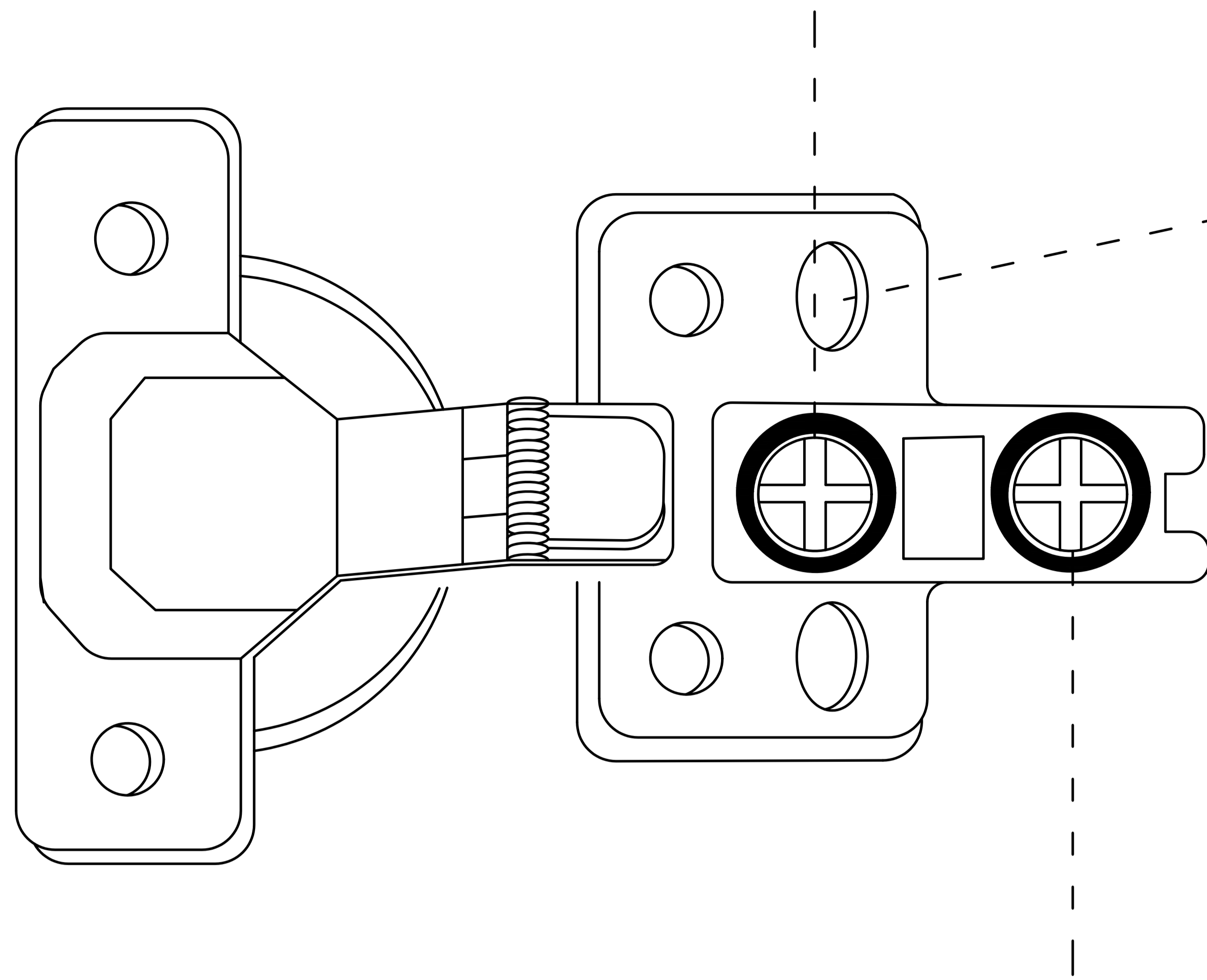
2



x6



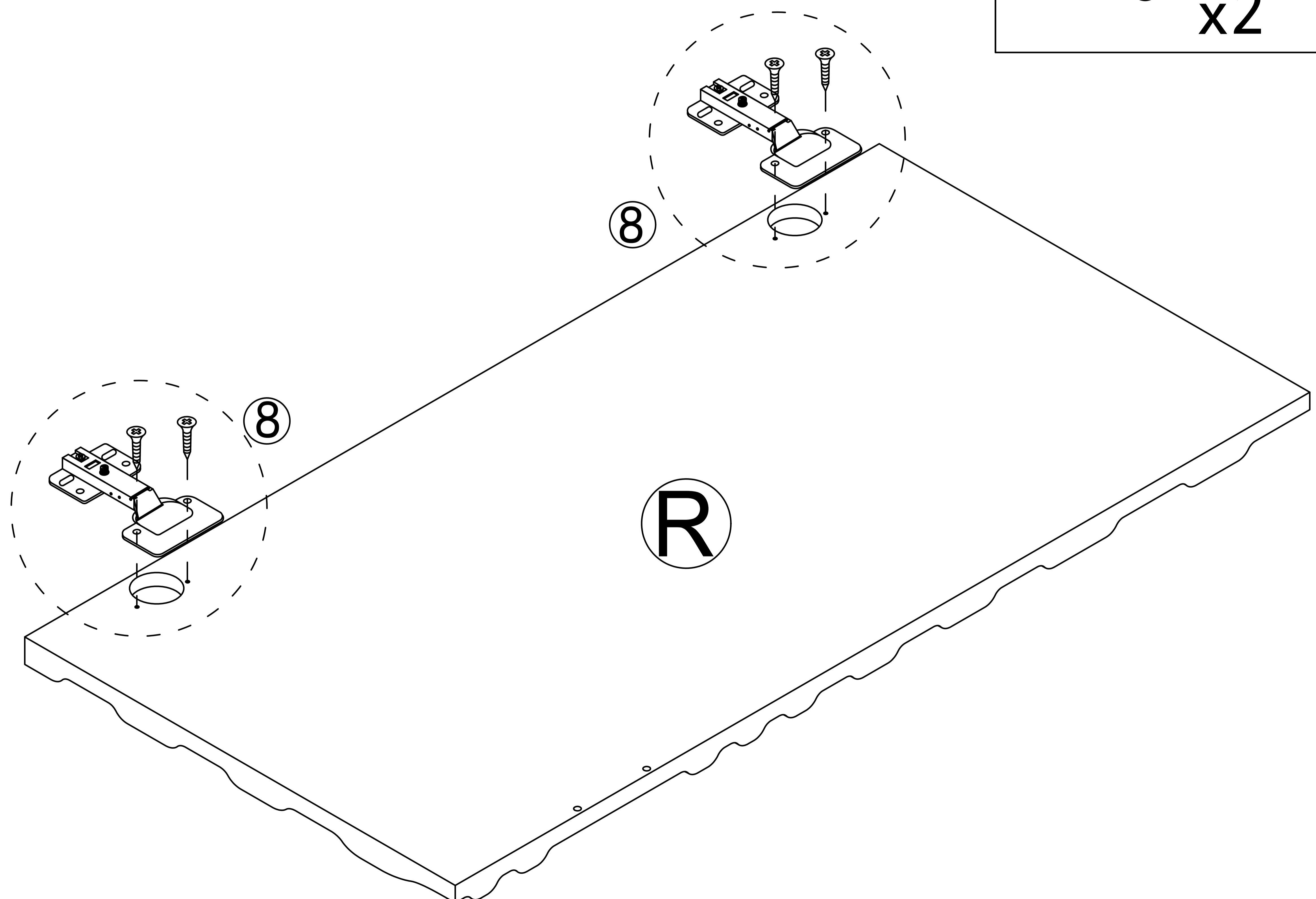
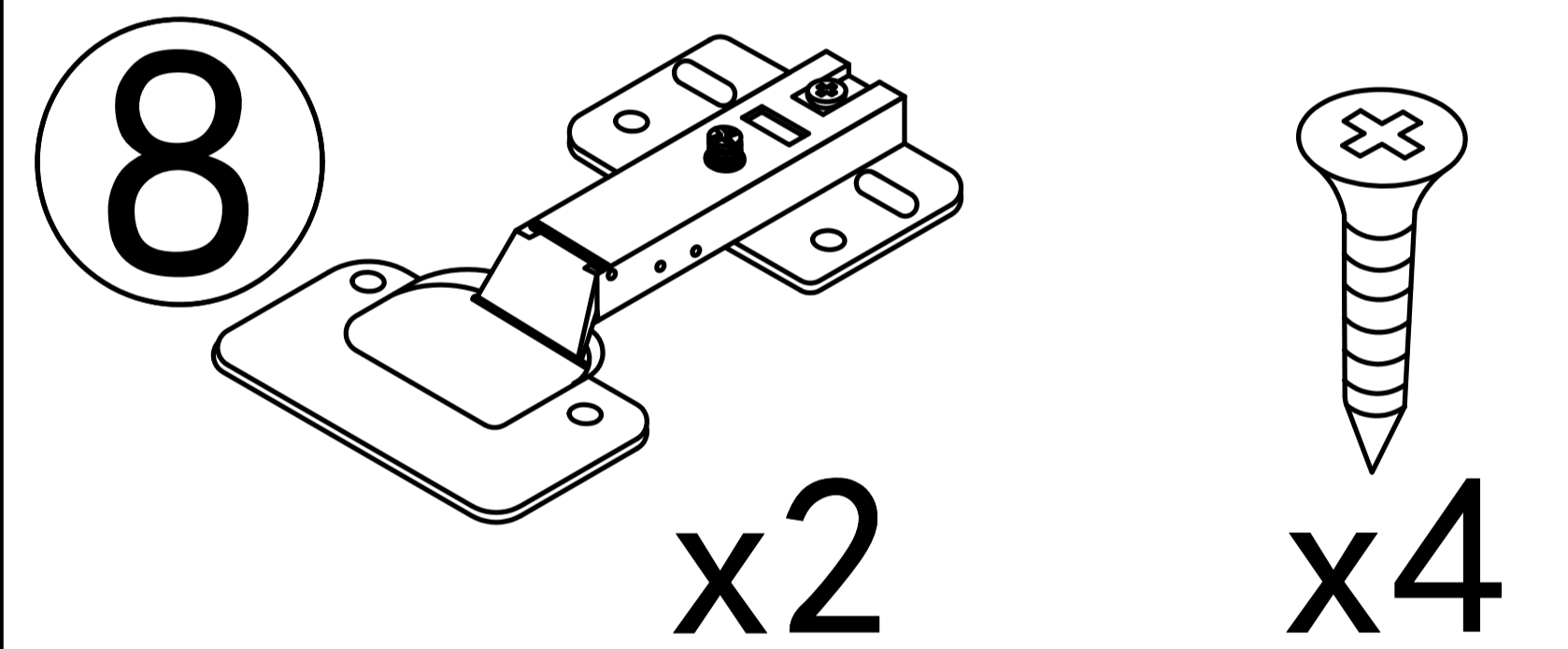
Turning this screw can effectively adjust the size of the door gap.



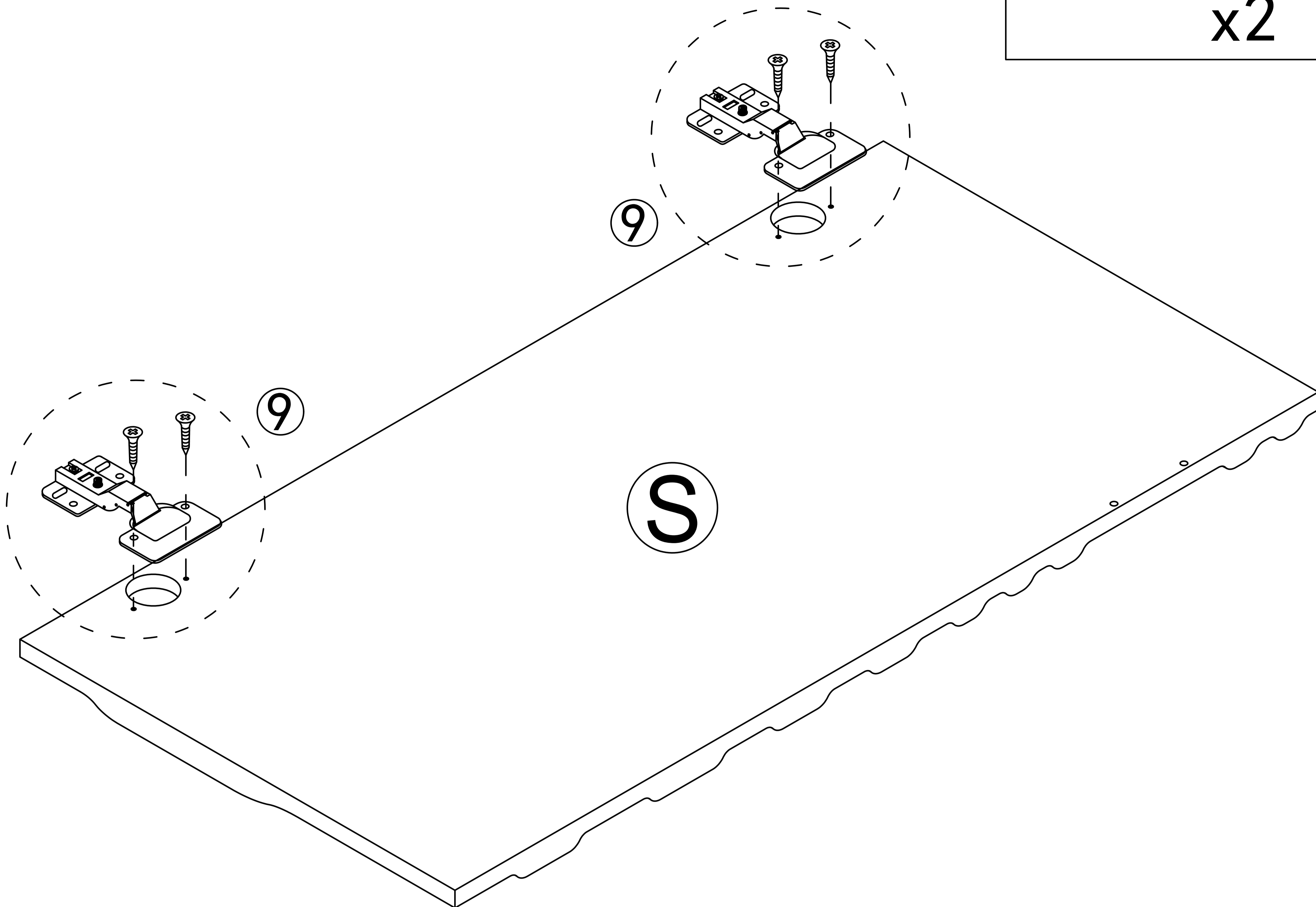
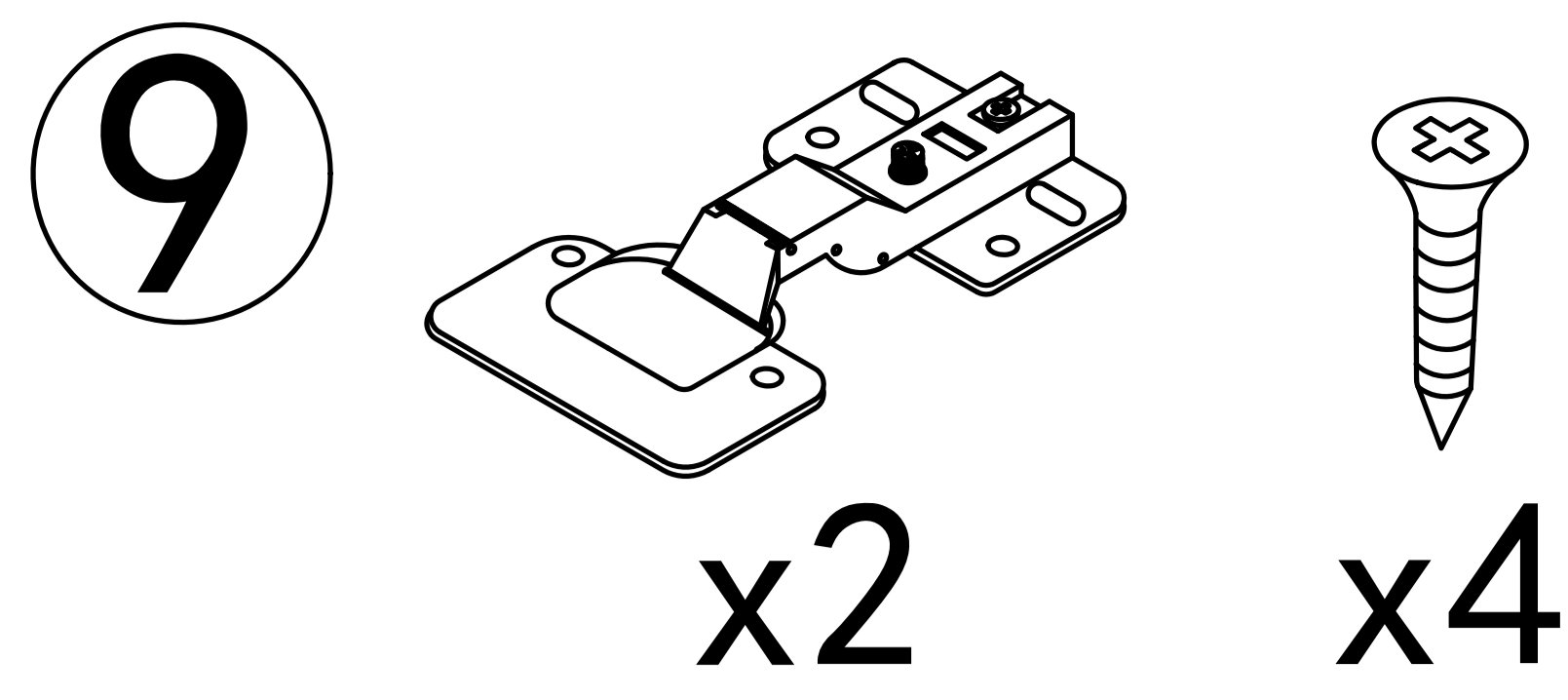
Adjust hole control the up and down height of the door

Turn this screw to adjust the door panel to be flat with the side panel.

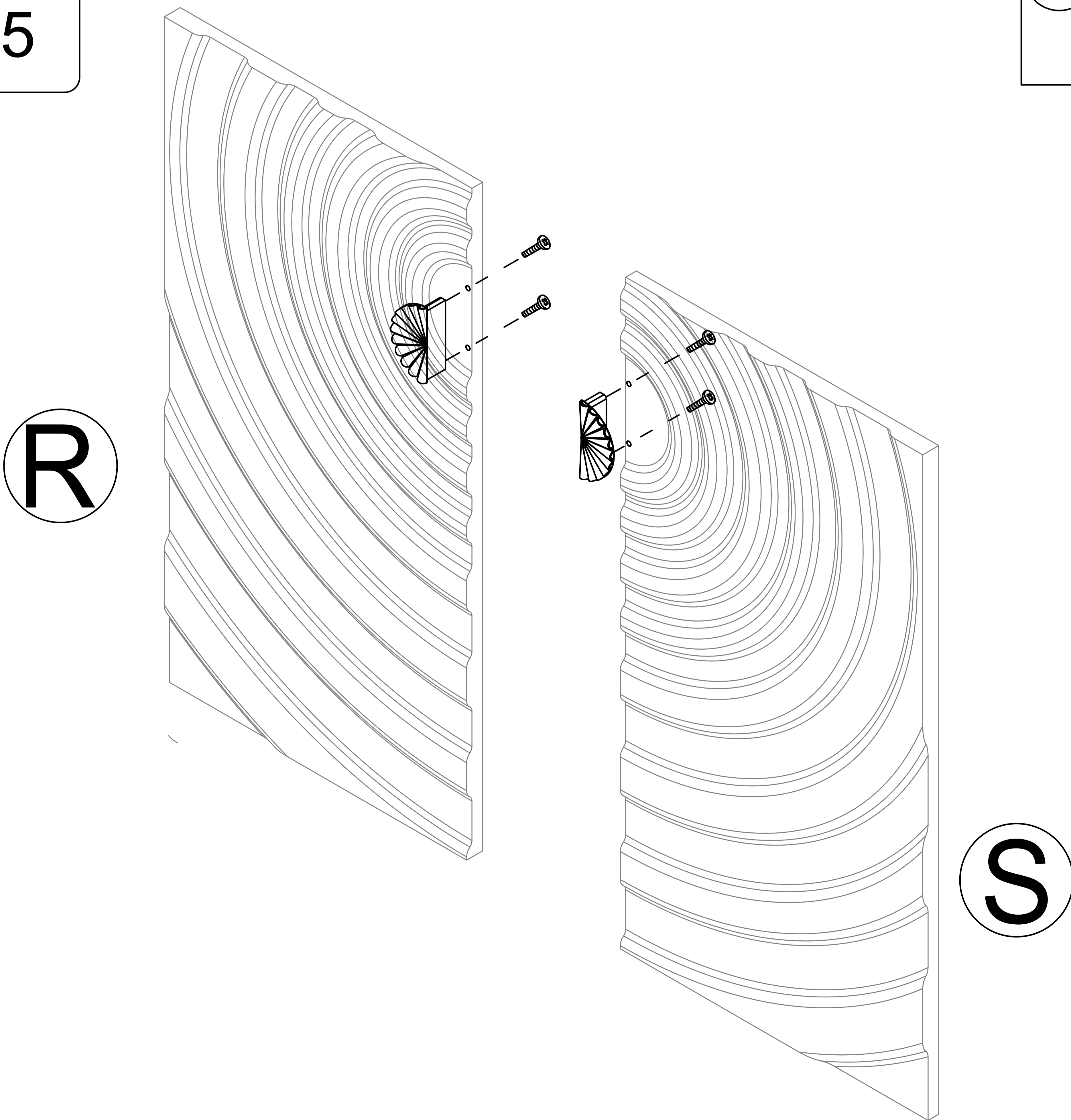
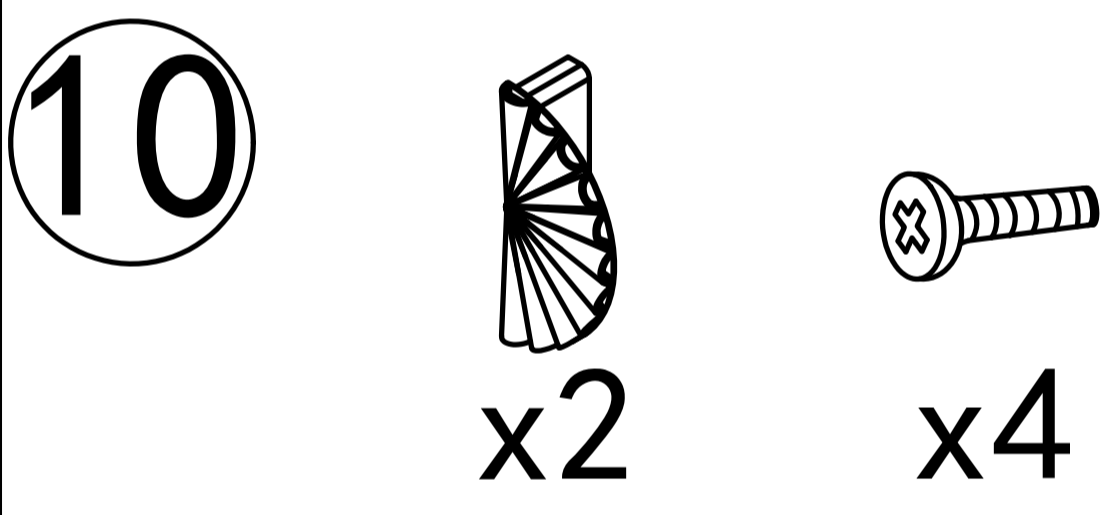
Step 33



Step 34

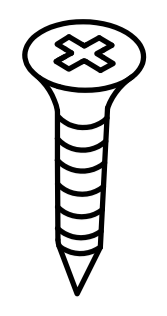


Step 35

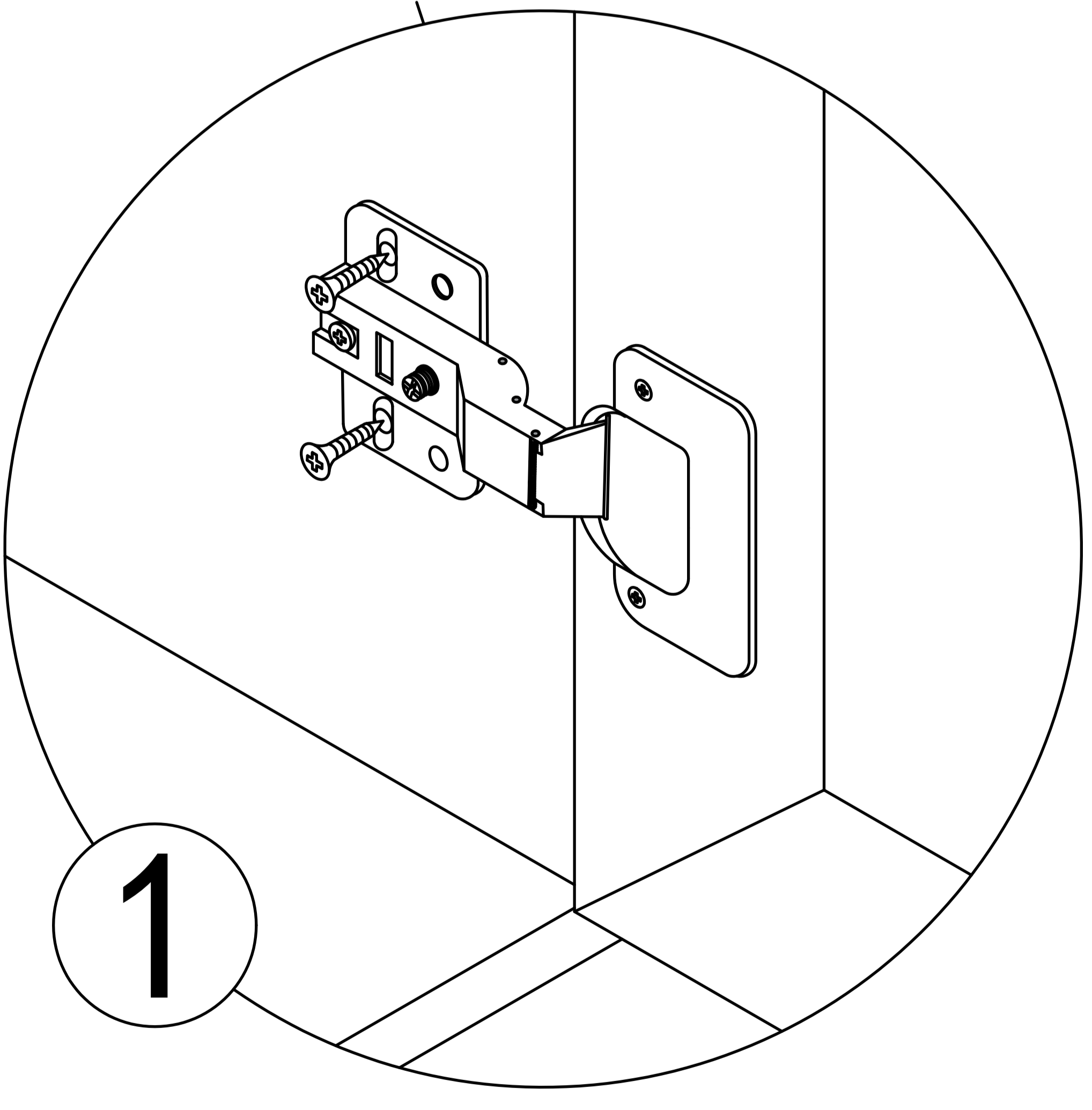
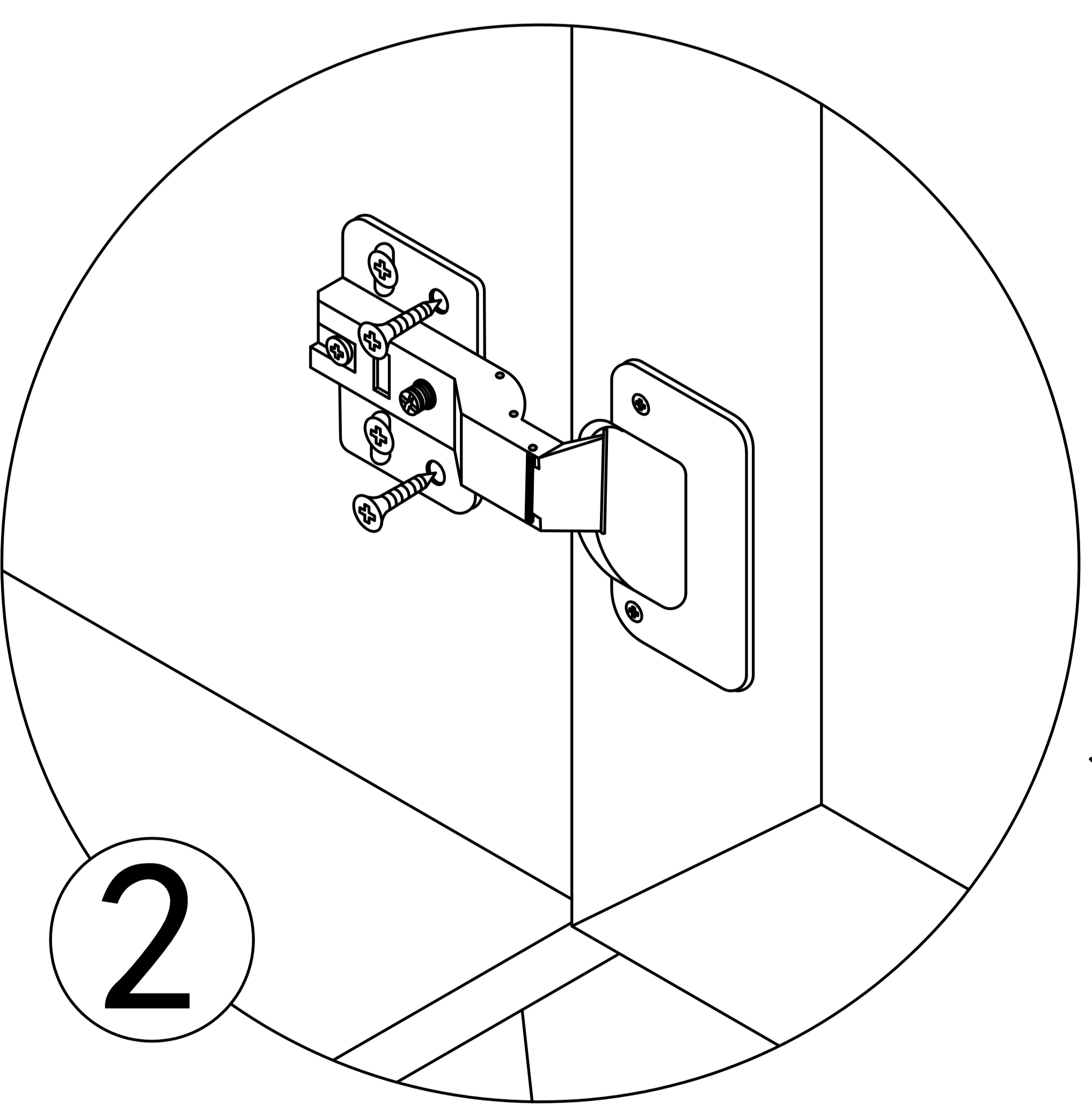
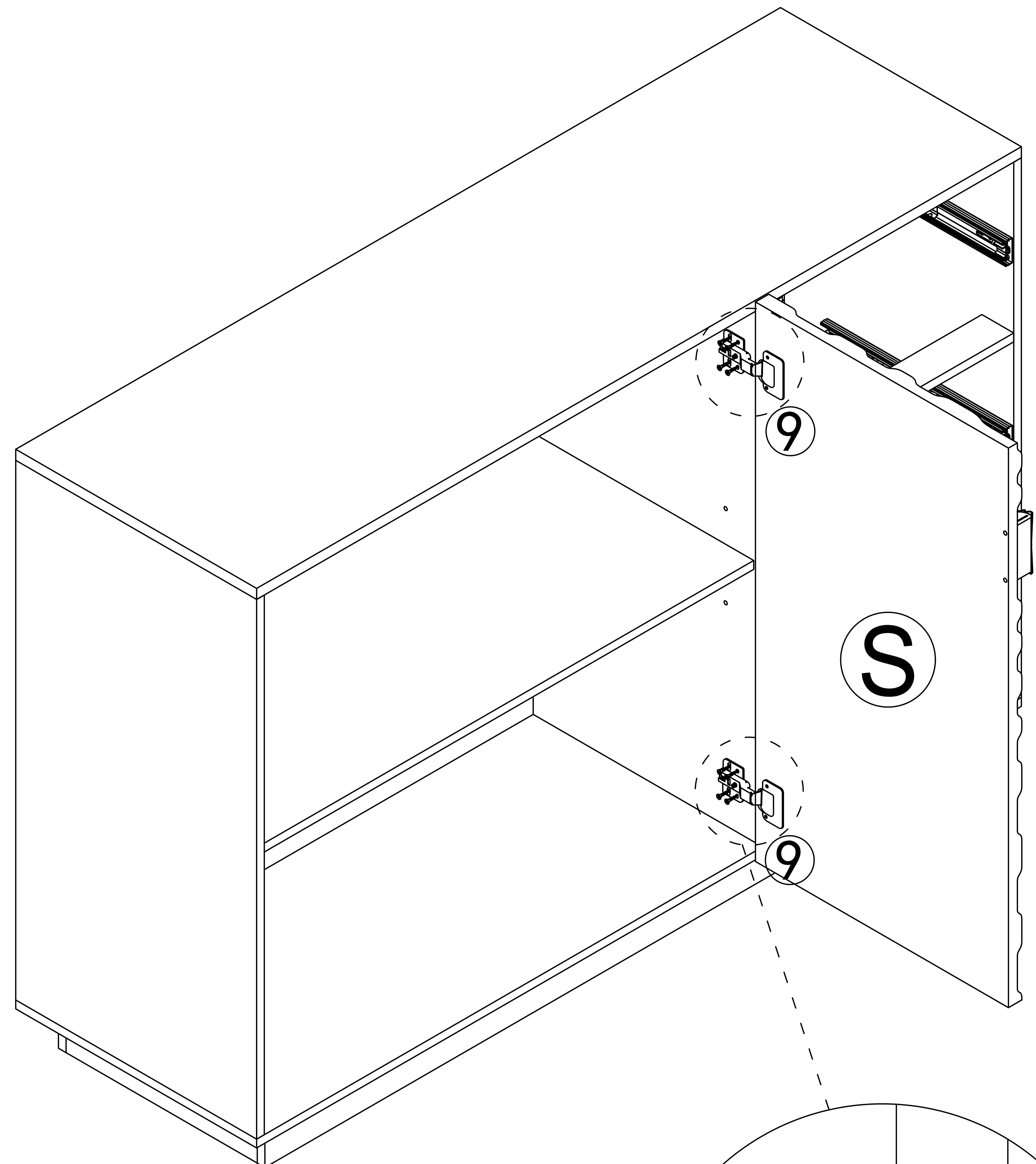


Step 36

9



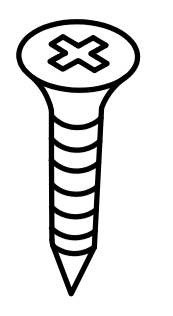
x8



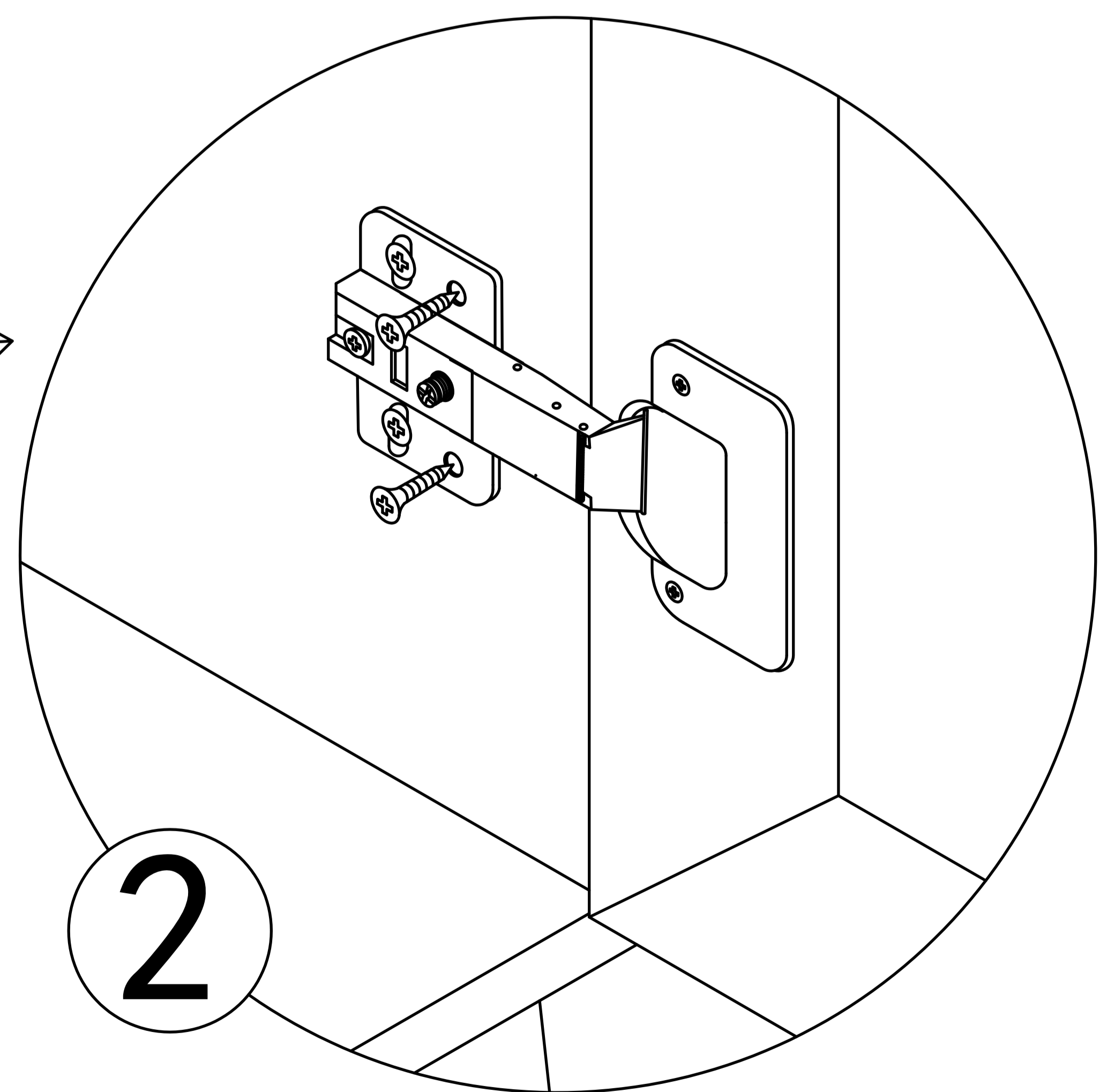
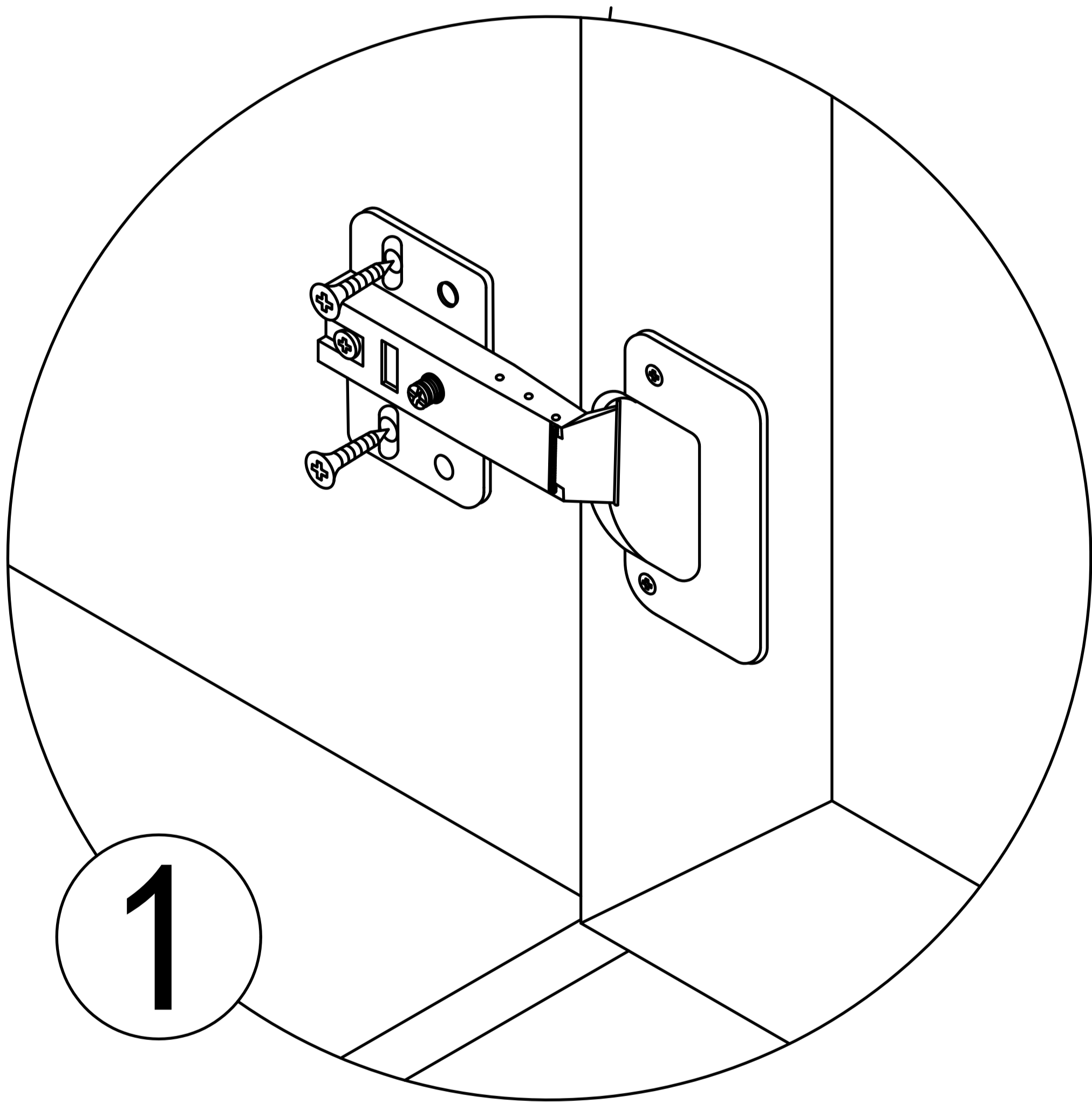
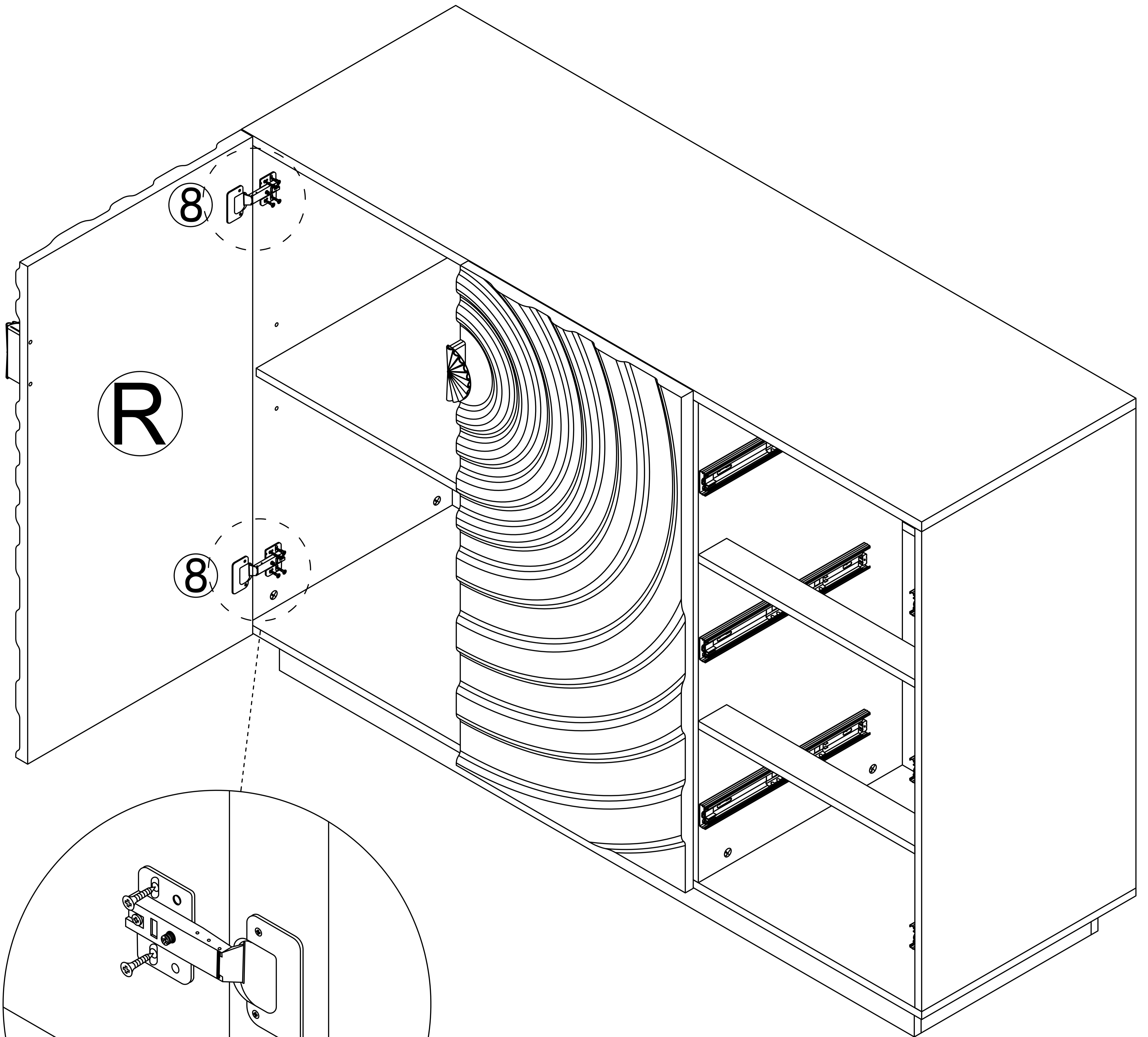
First lock the elliptical hole then lock the fixed hole

Step 37

8

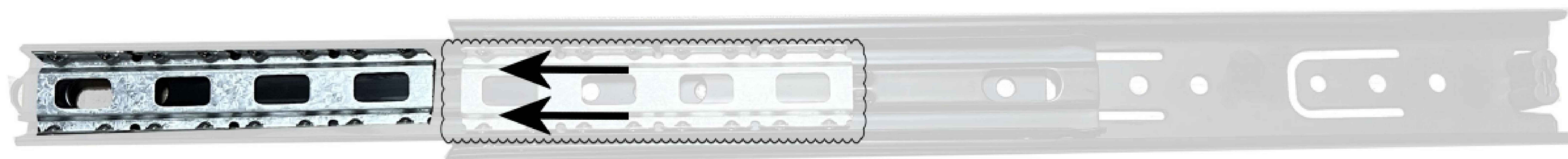


x8

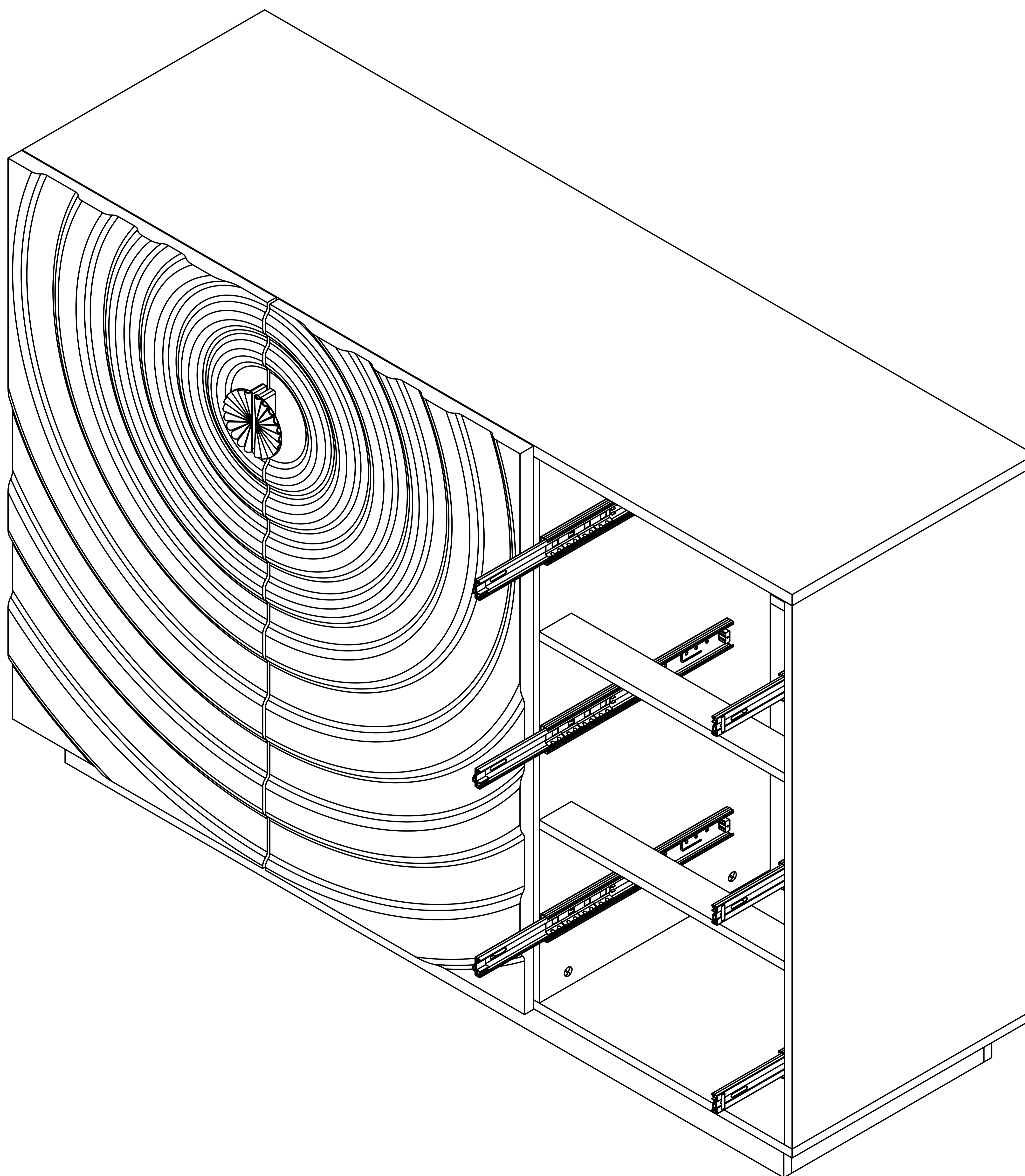


First lock the elliptical hole then lock the fixed hole

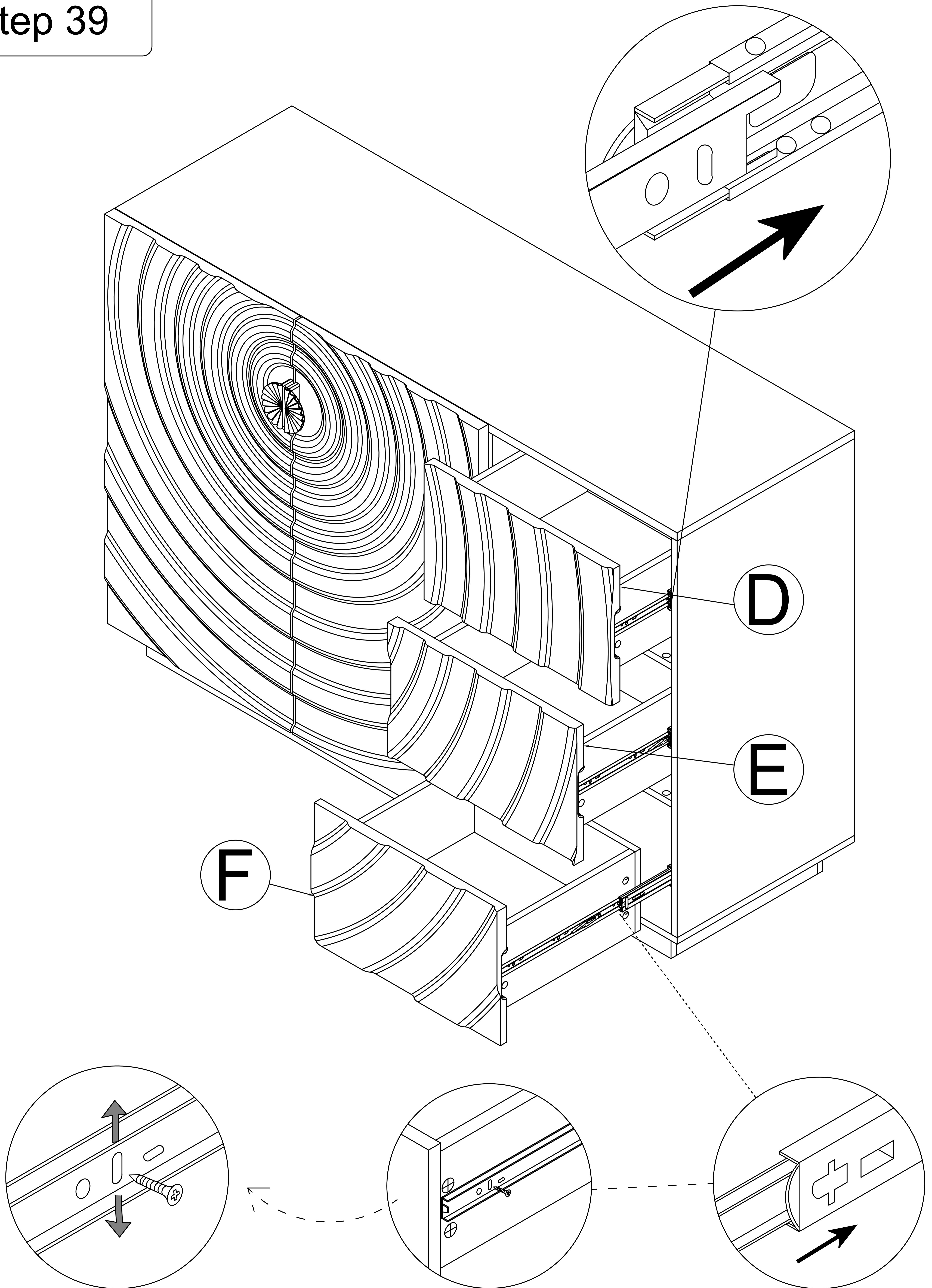
Step 38



As shown, When installing the drawer, pull the guide rail out first, Slide beads are also pulled out.



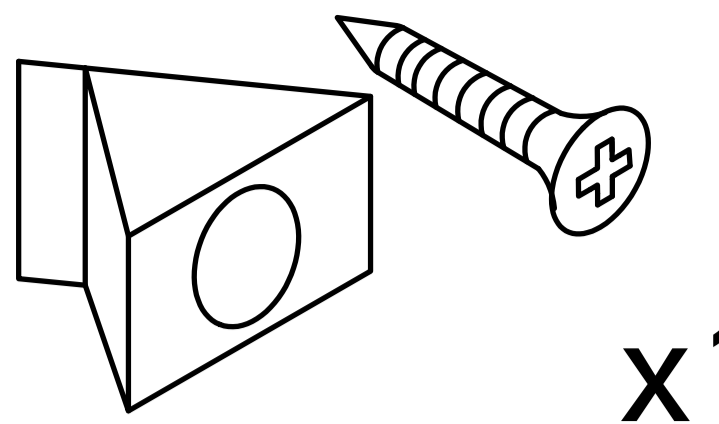
Step 39



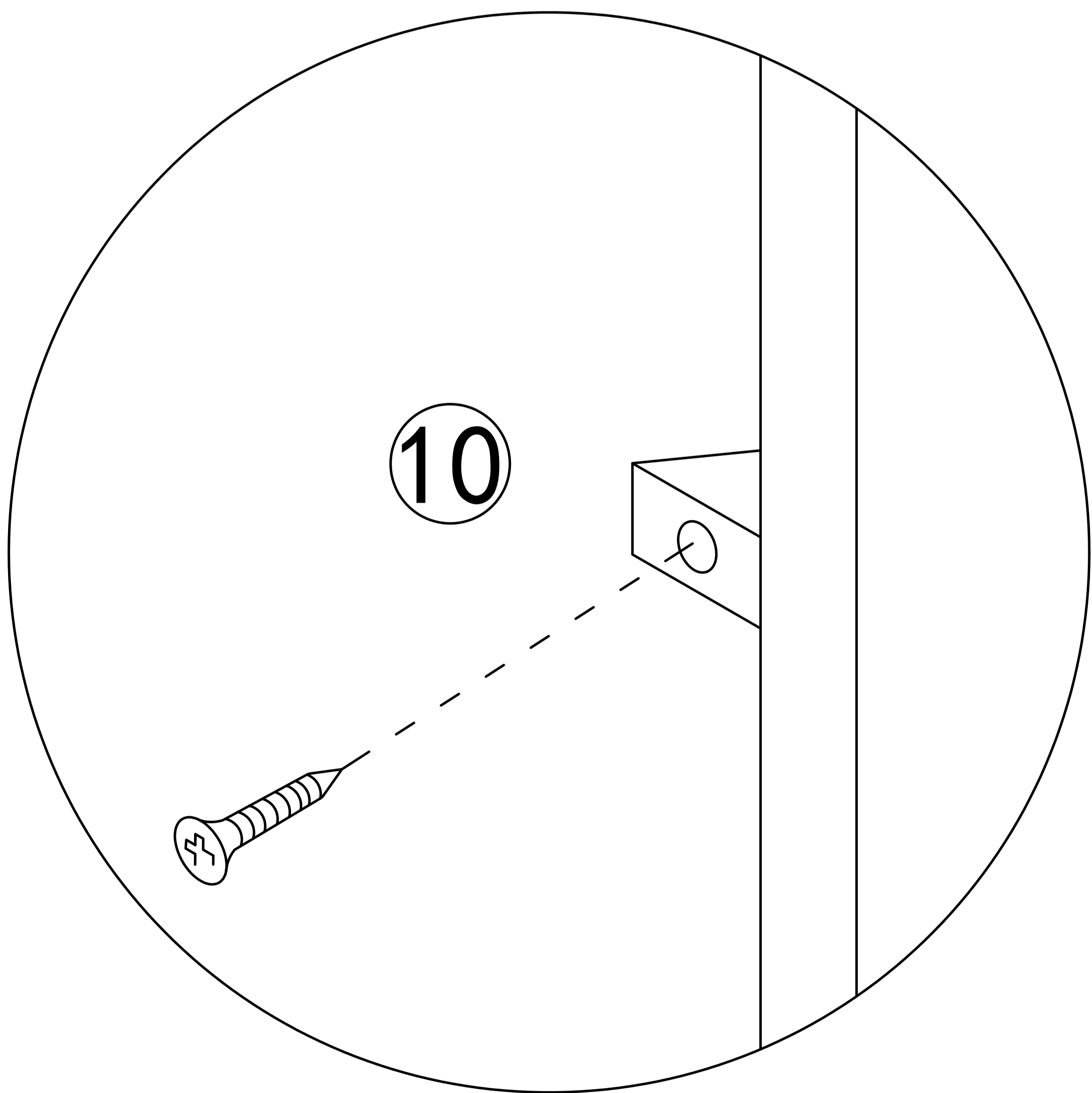
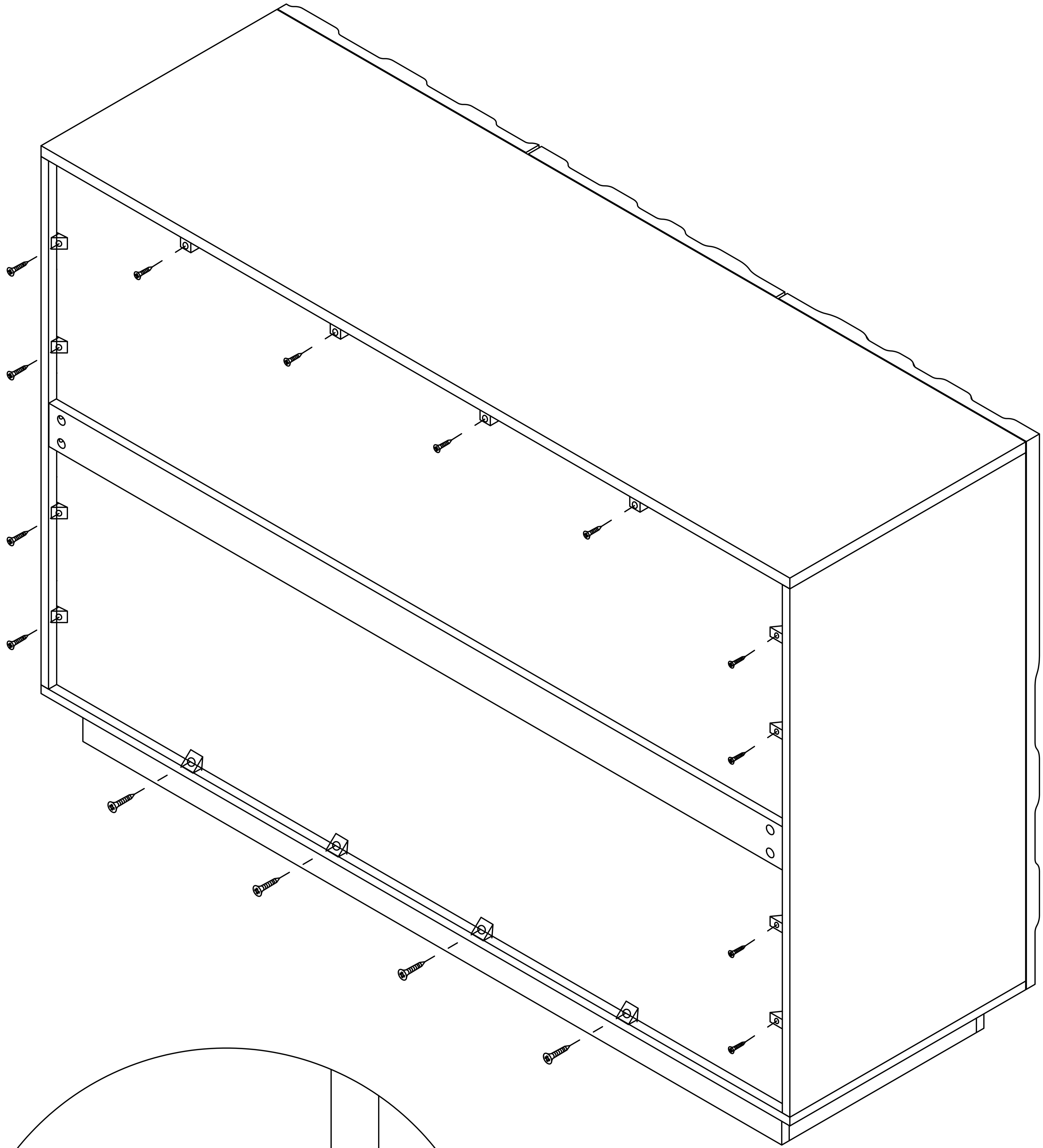
If a large gap is found after installing the drawer the slide rail can be moved up and down to adjust the gap

Step 40

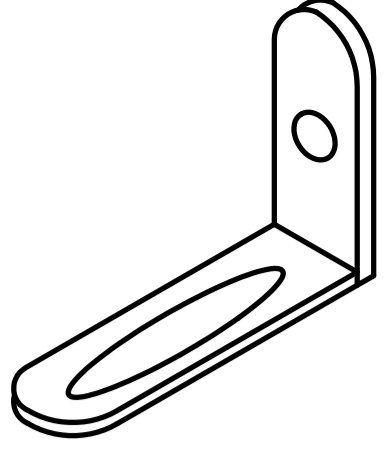
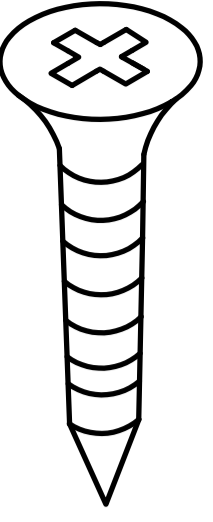
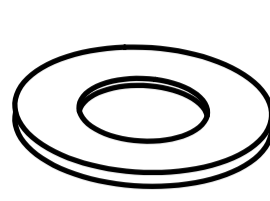
11



x16



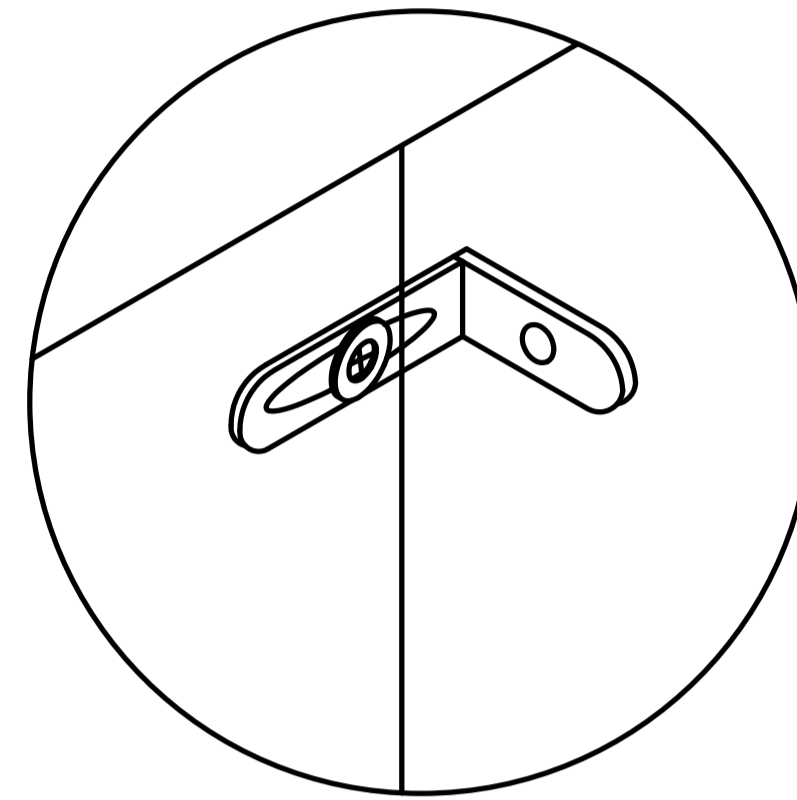
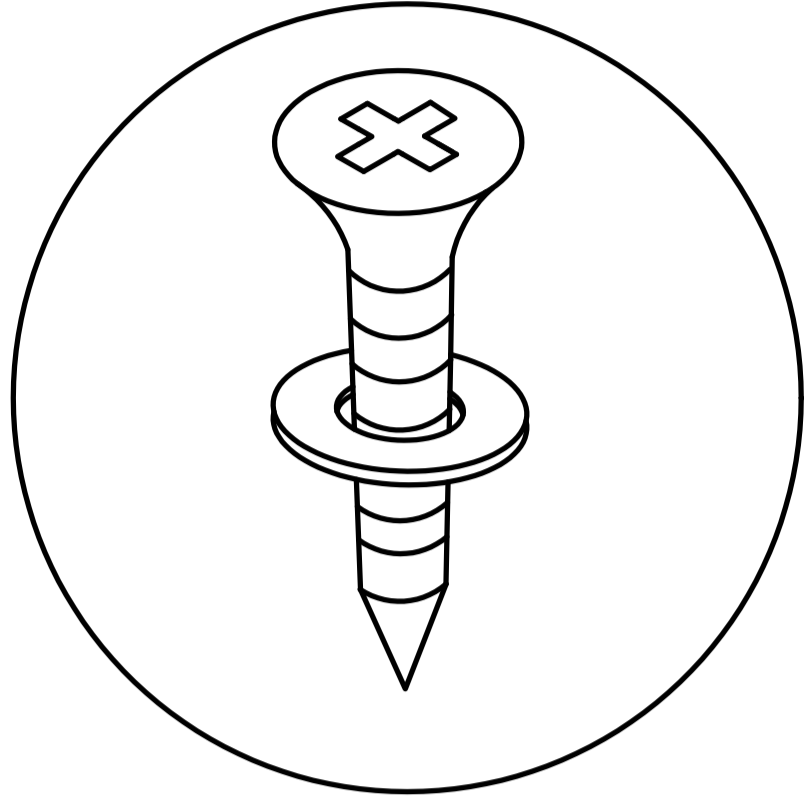
Step 41

12  x2  x2
 x2

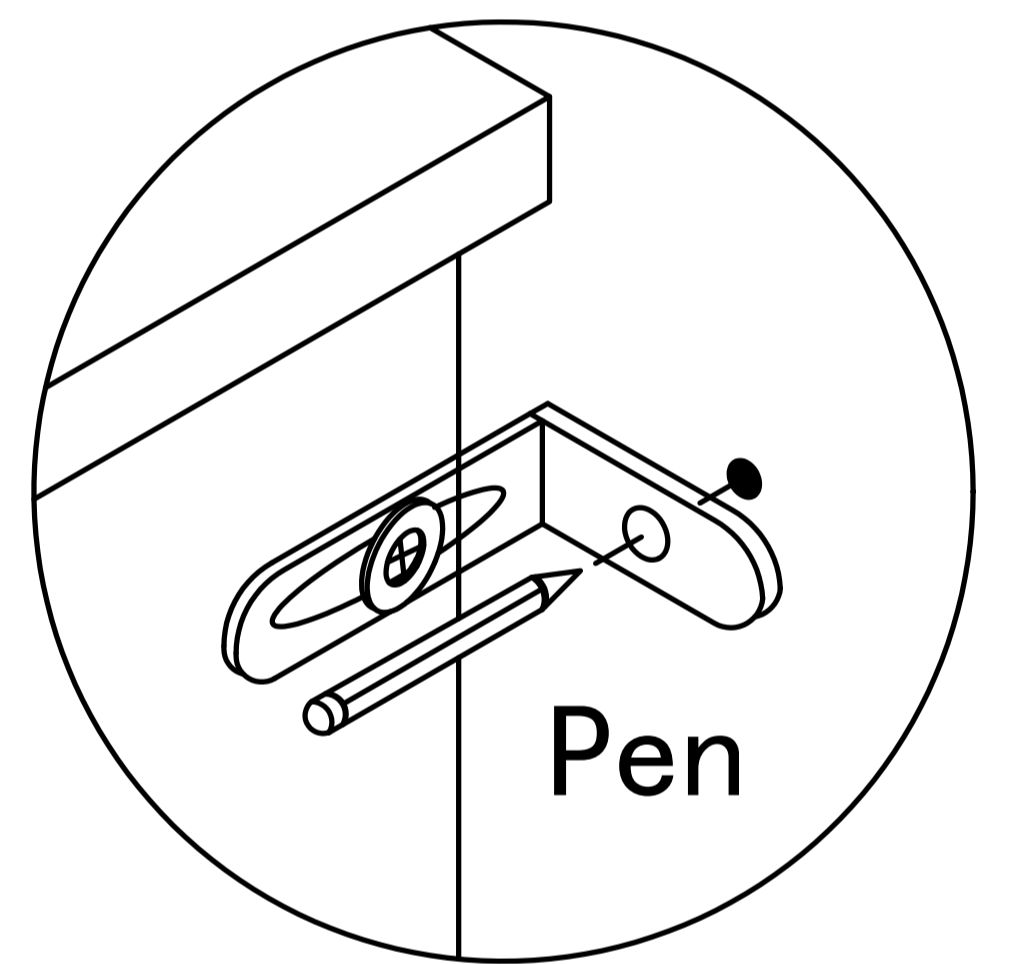
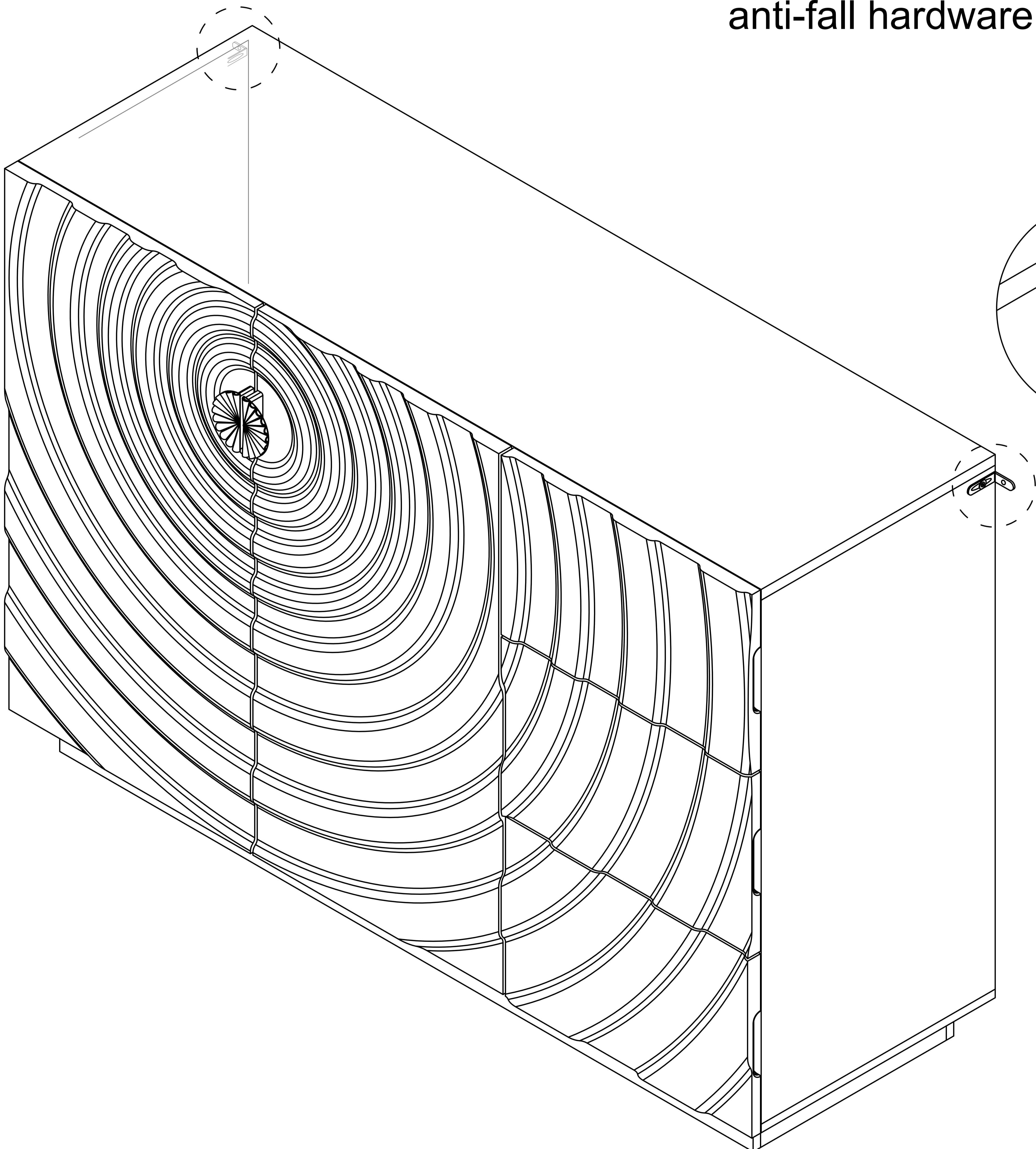
Install as required

Install the anti fall hardware on the cabinet as shown in the picture first

3.5x14mm

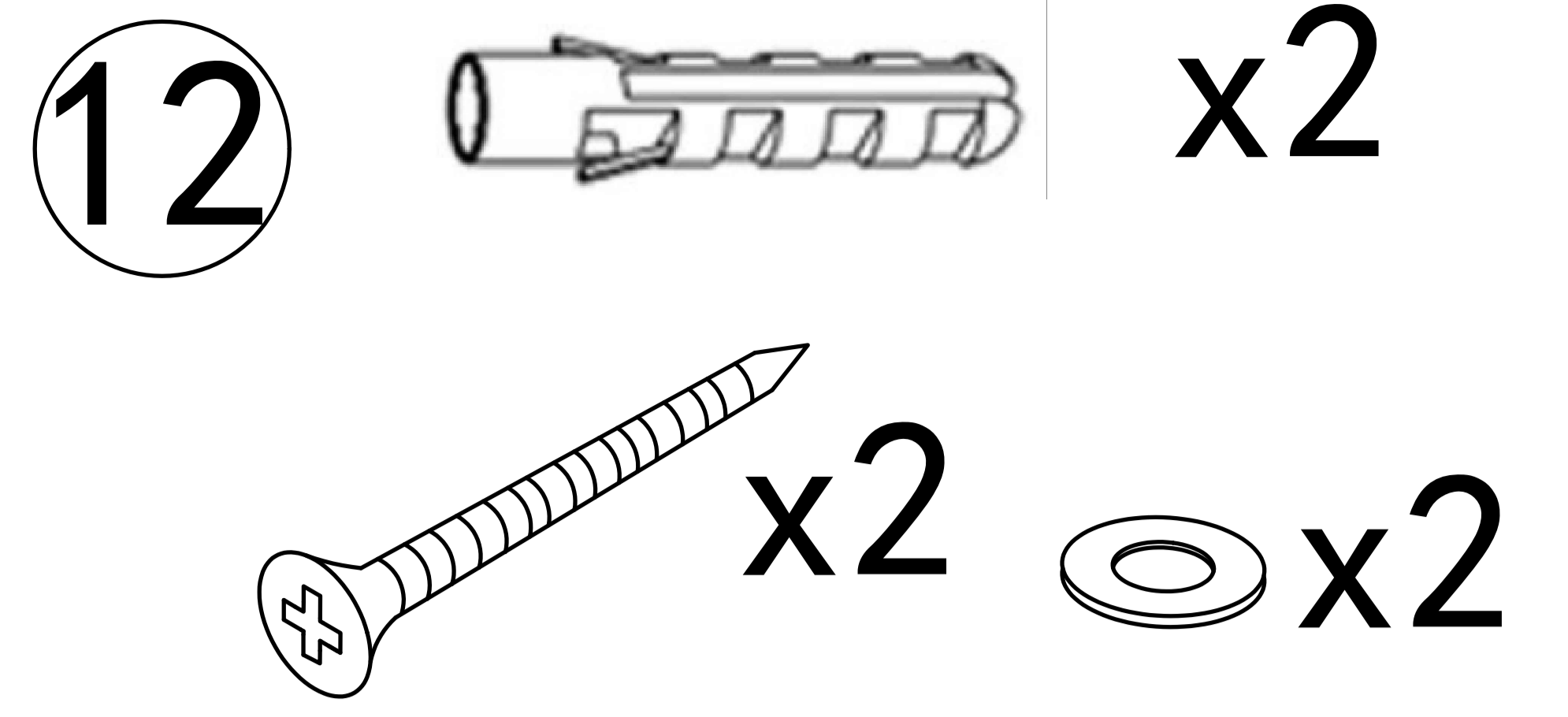
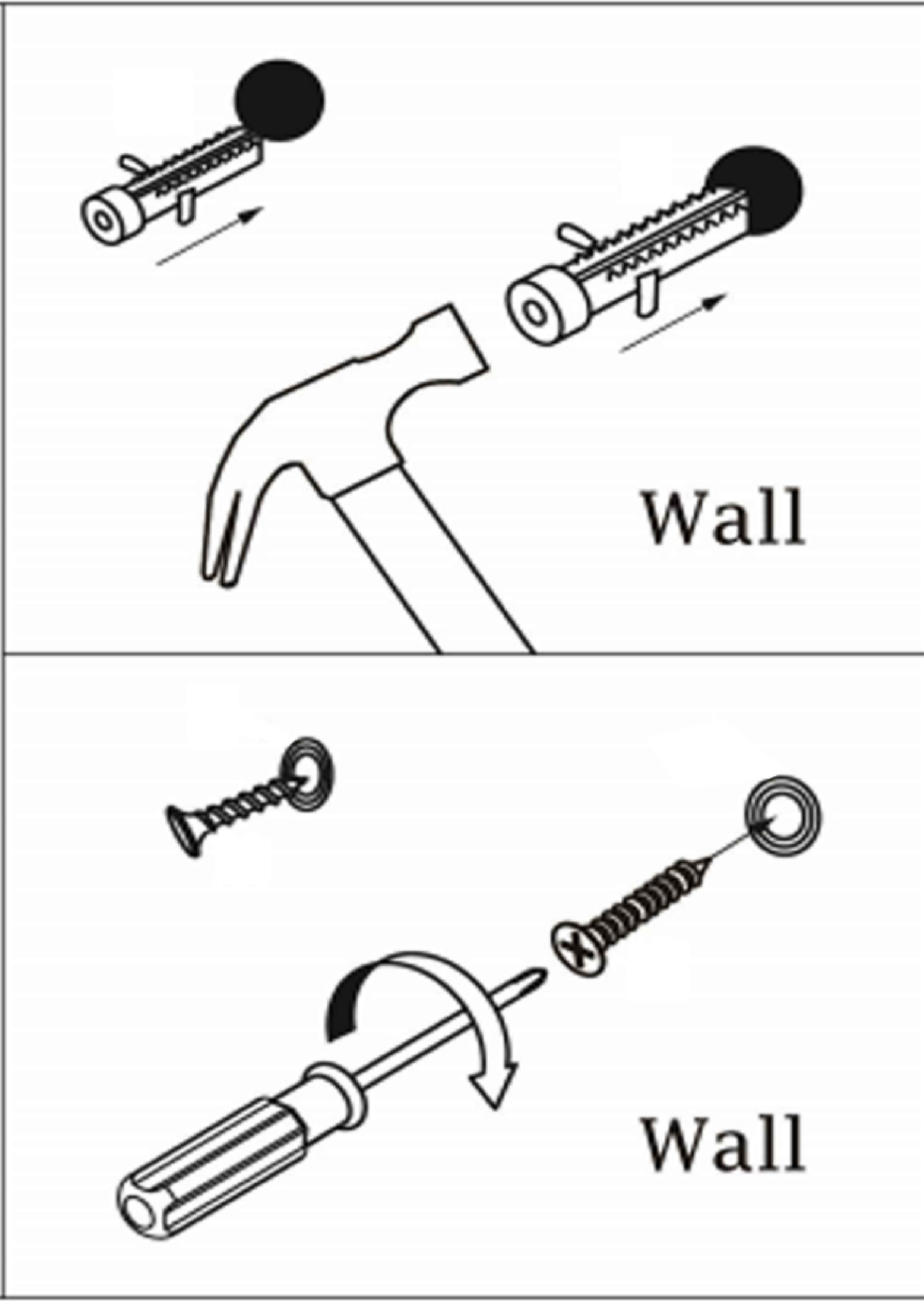
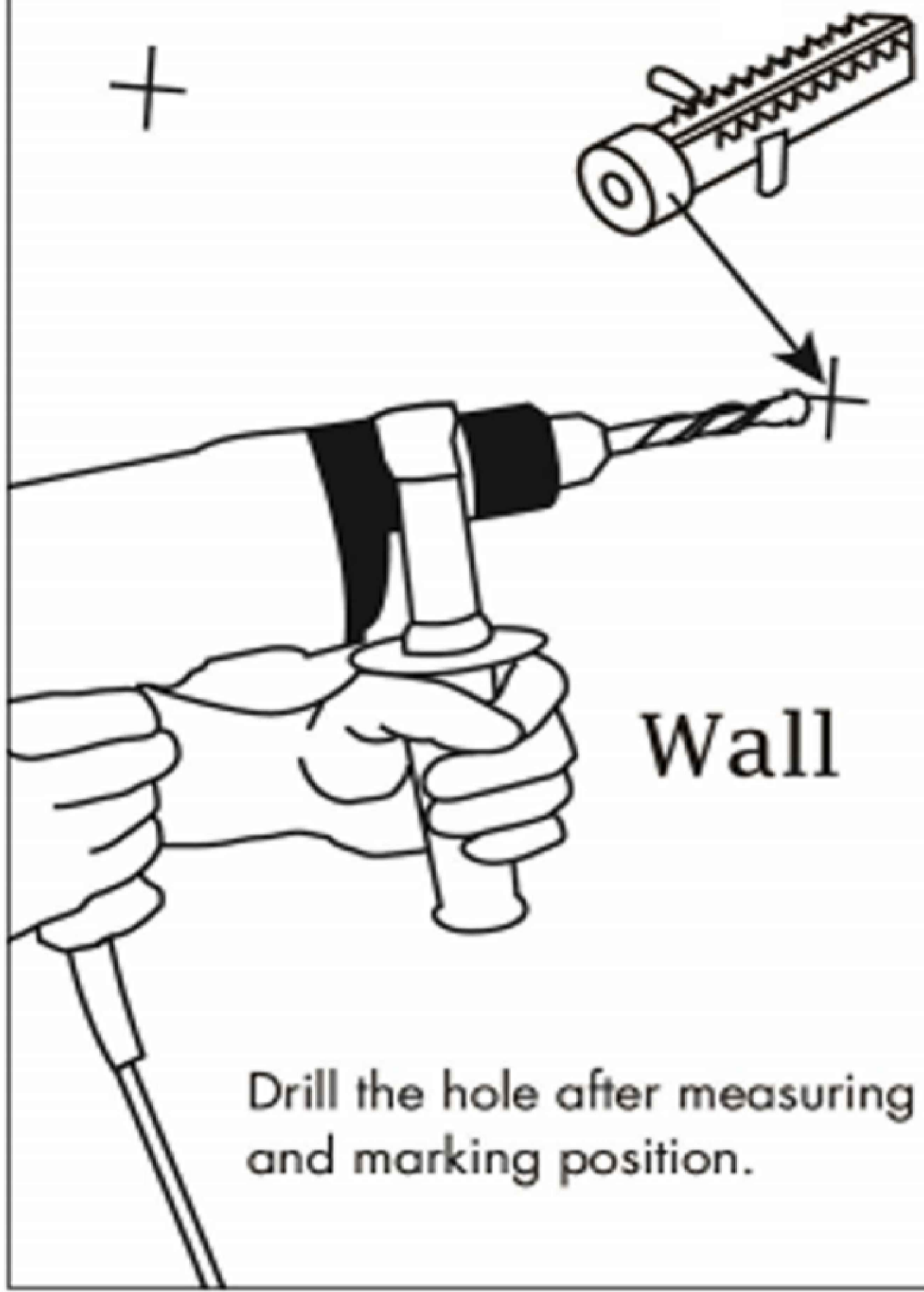


Then mark the wall with a pen through the holes in the anti-fall hardware

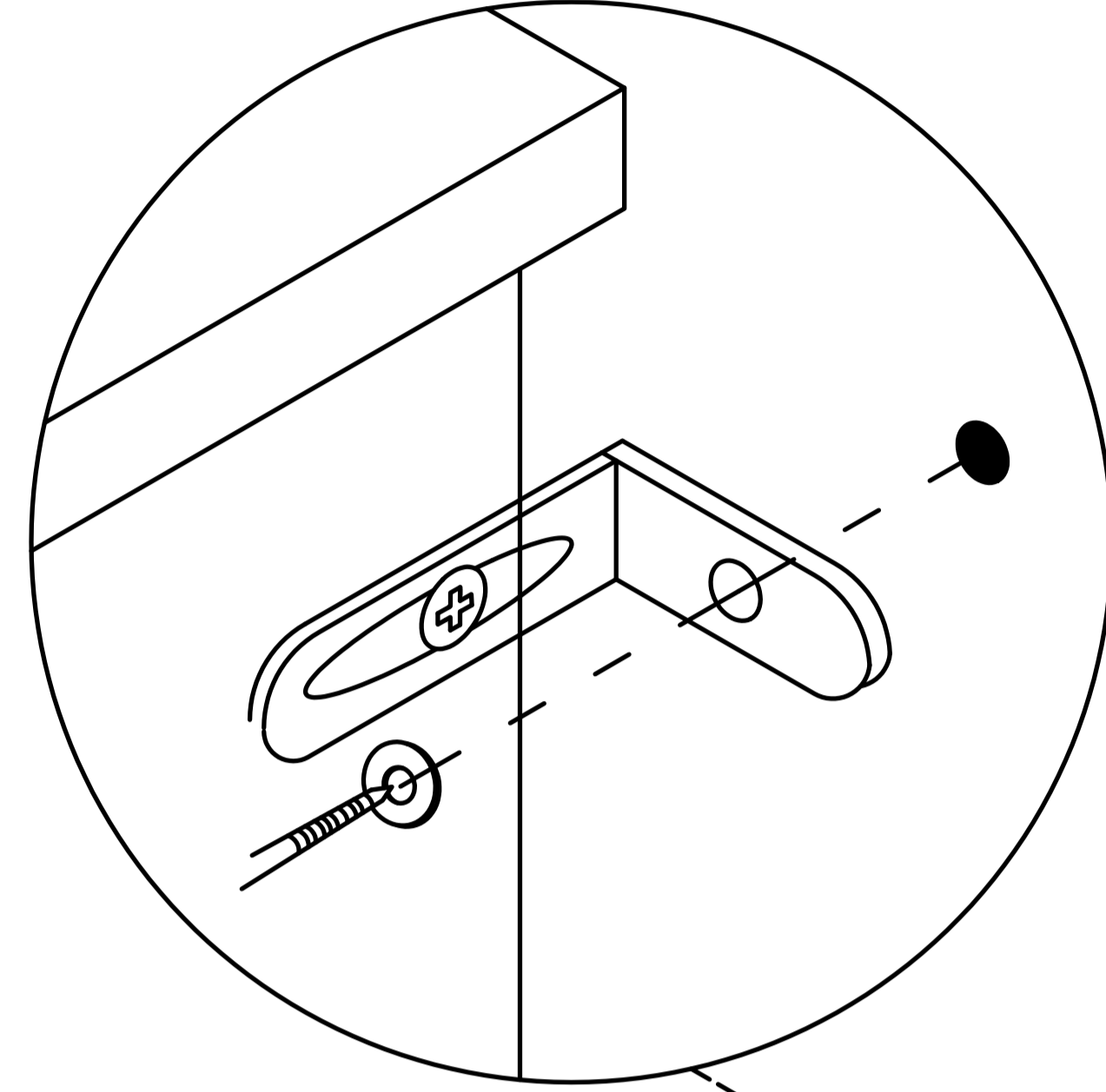


Step 42

Wall Mount



Drill the hole with an electric drill and punch in the colloidal particles



Fix the table to the wall

4x45mm

