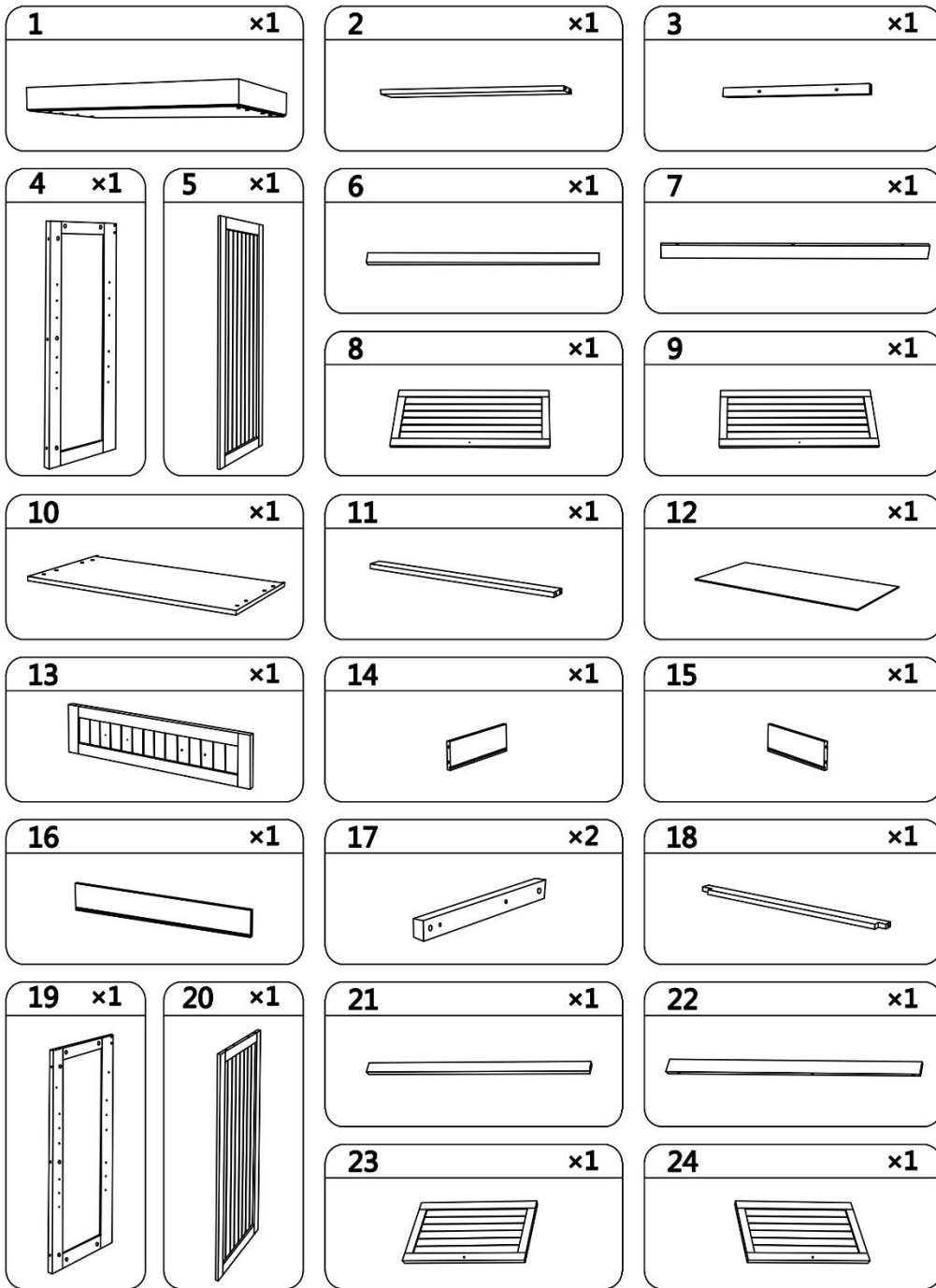
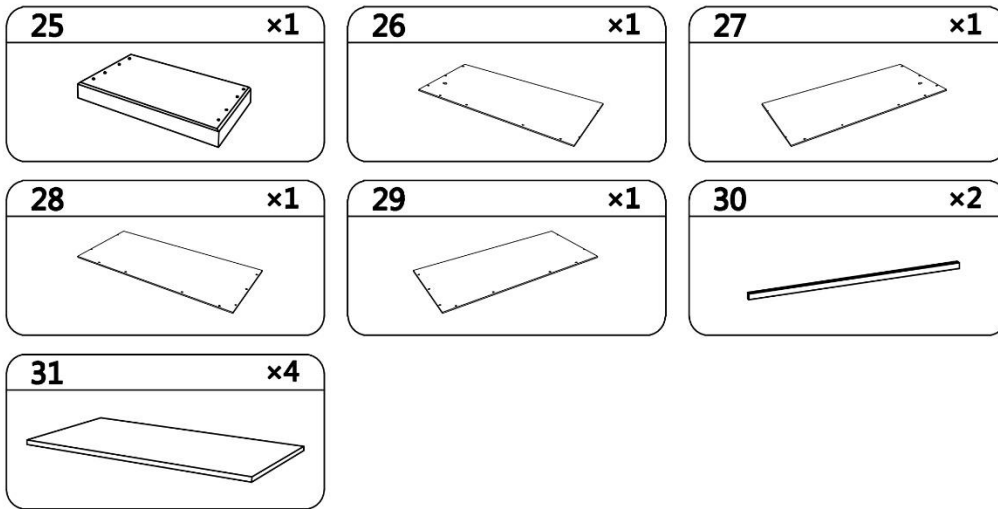


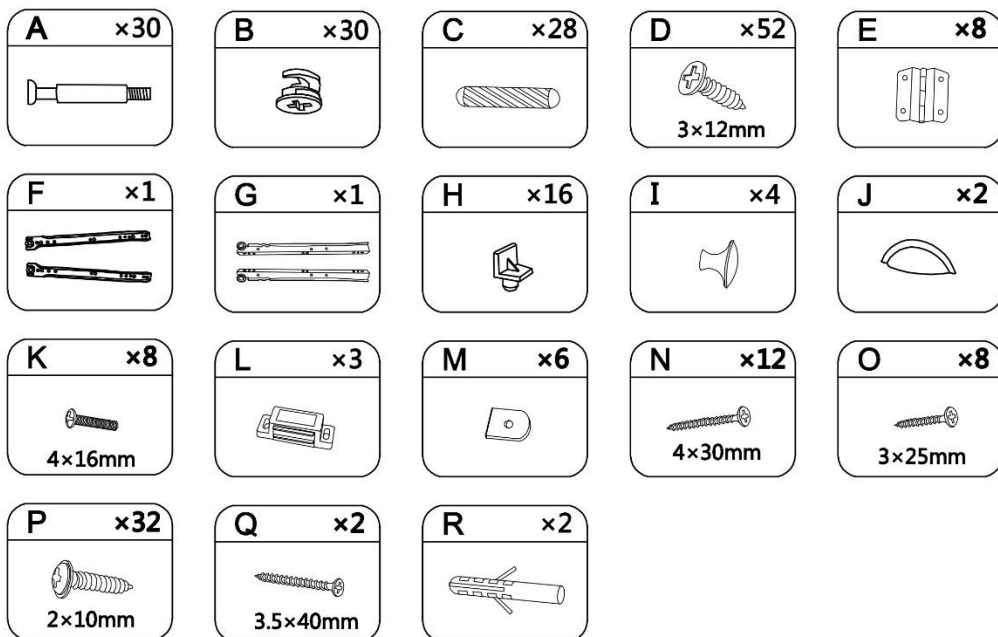
Components

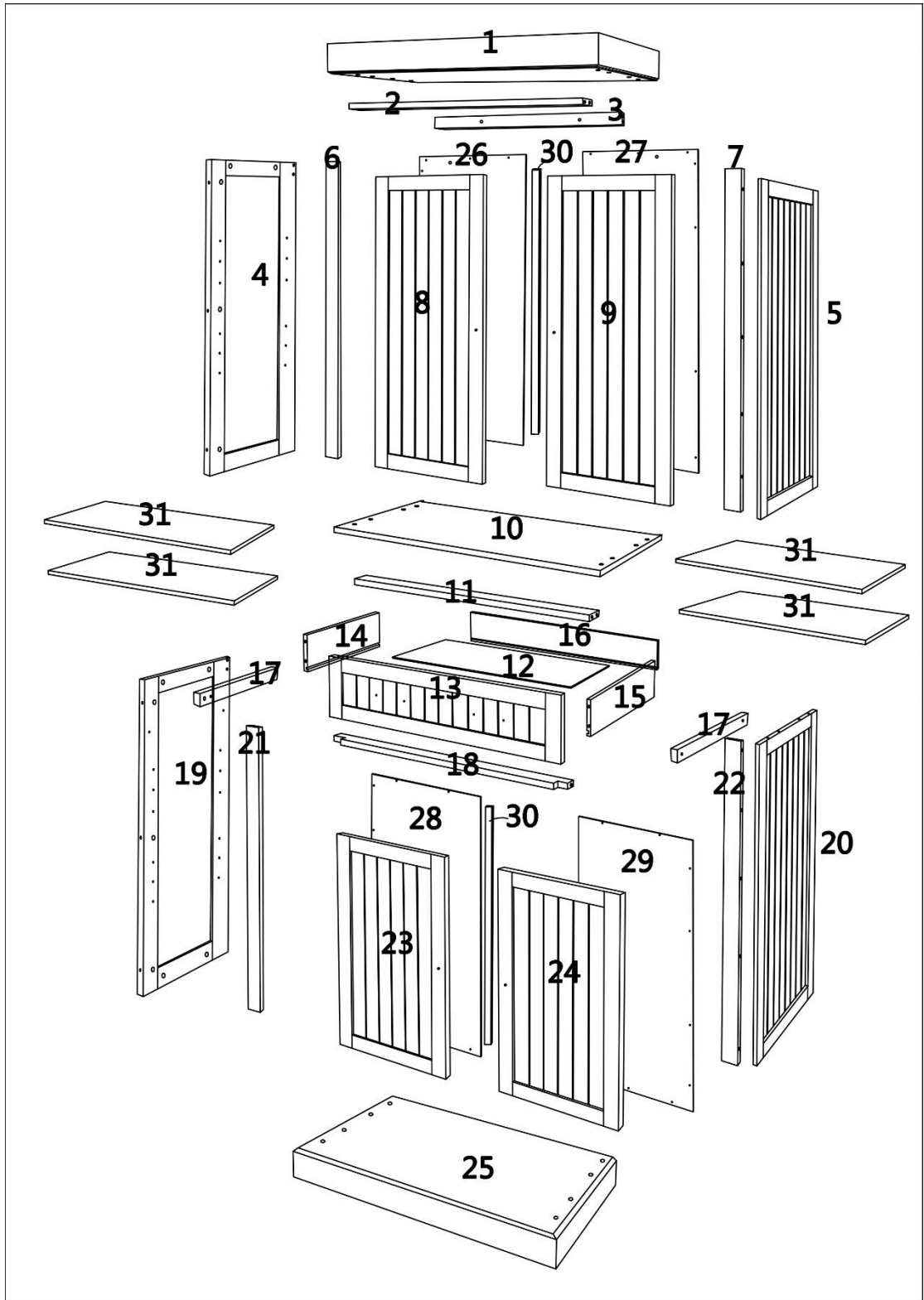


Components

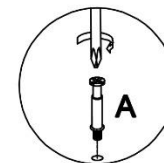
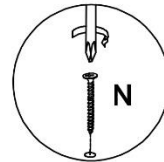
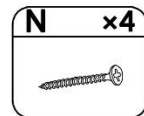
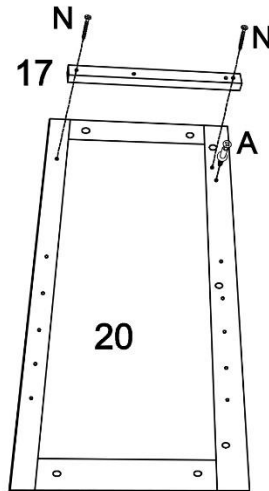
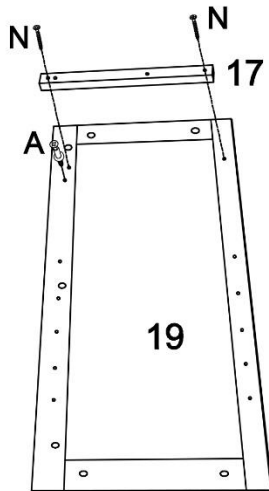


Hardware

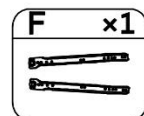
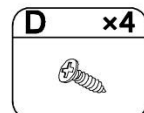
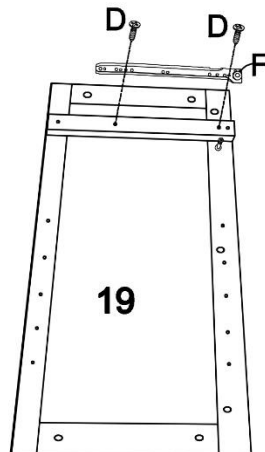
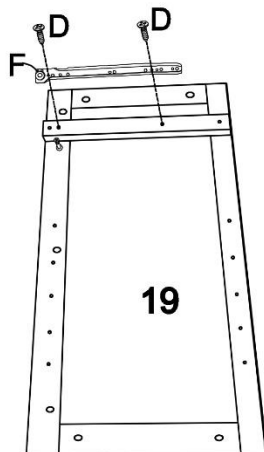
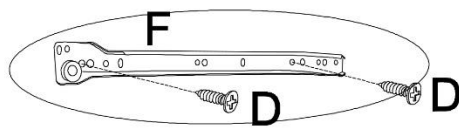




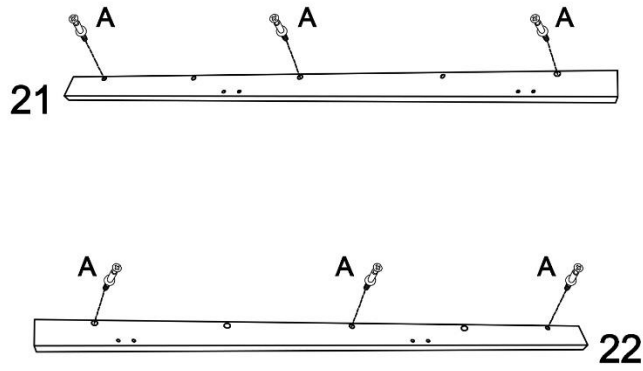
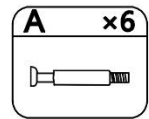
1



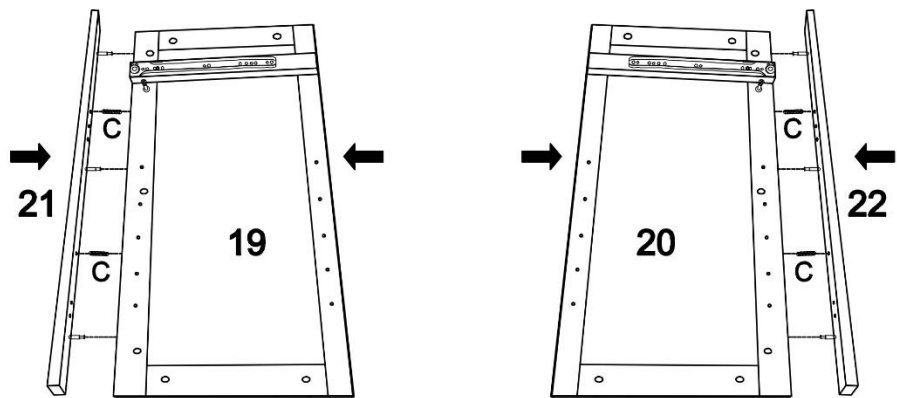
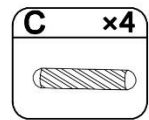
2




3

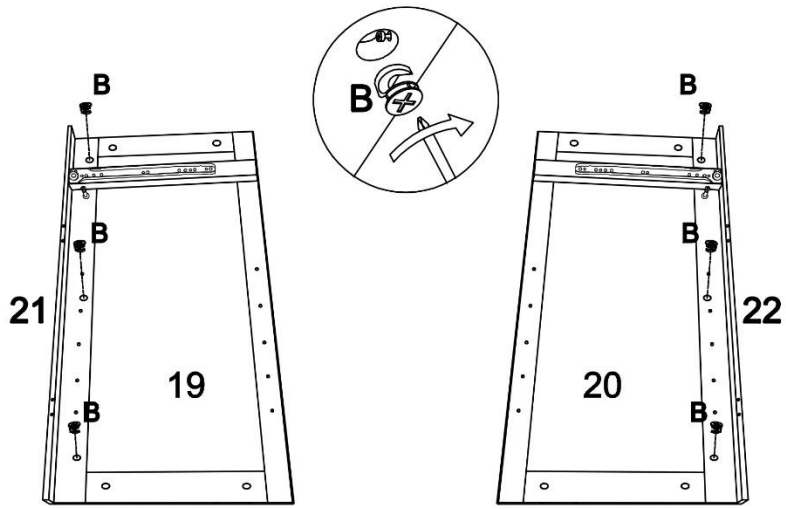


4





5

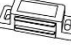
B x6


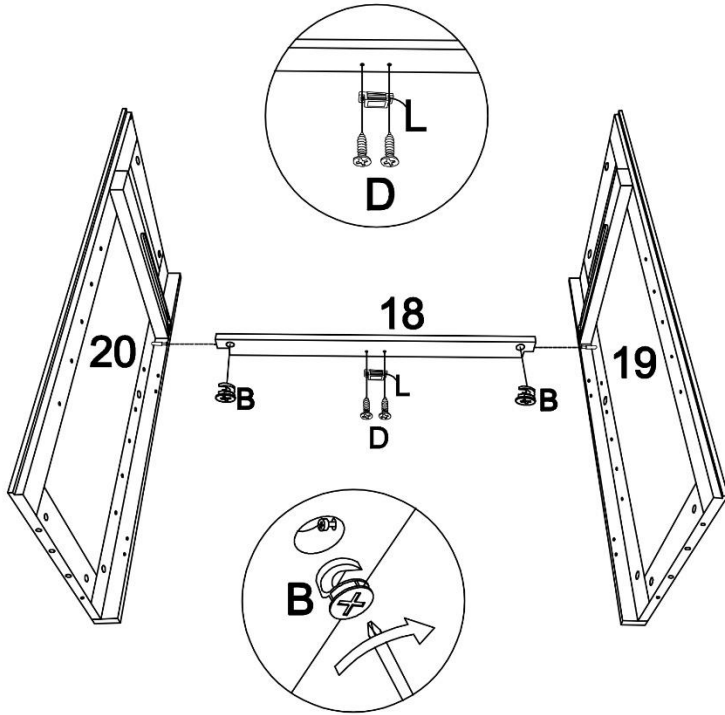


6

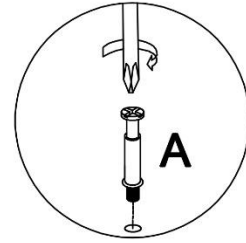
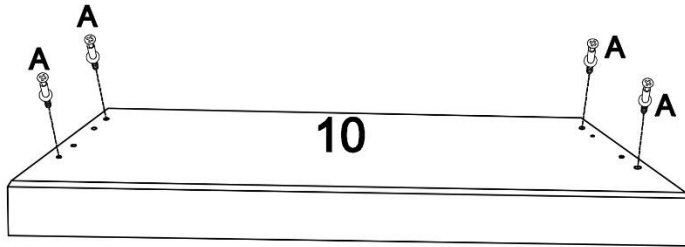
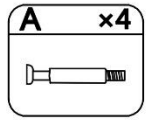
B x2


D x2


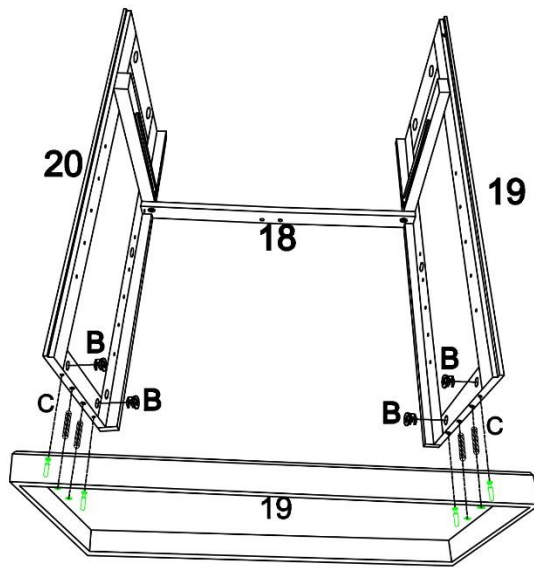
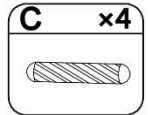
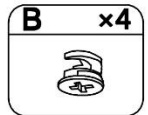
L x1




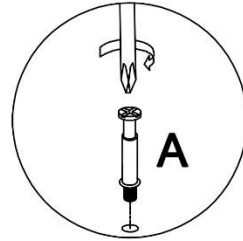
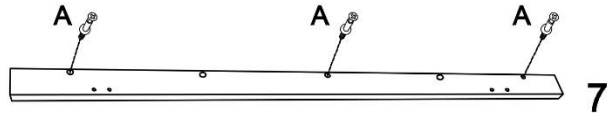
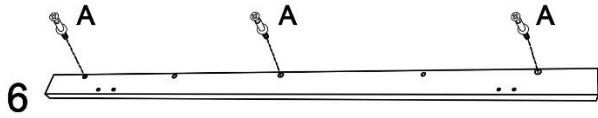
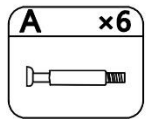
7



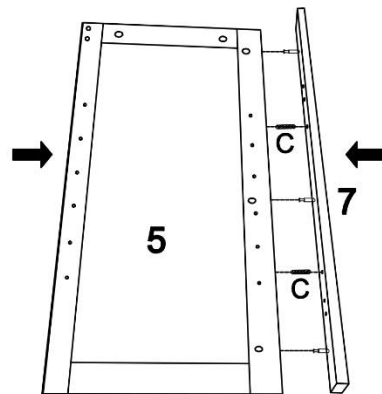
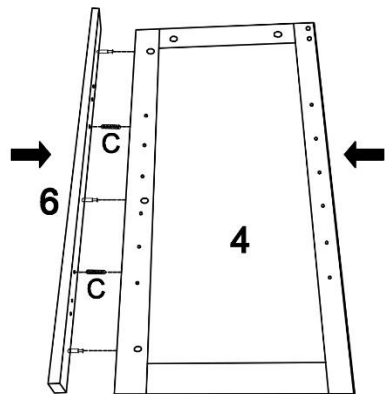
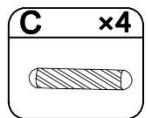
8



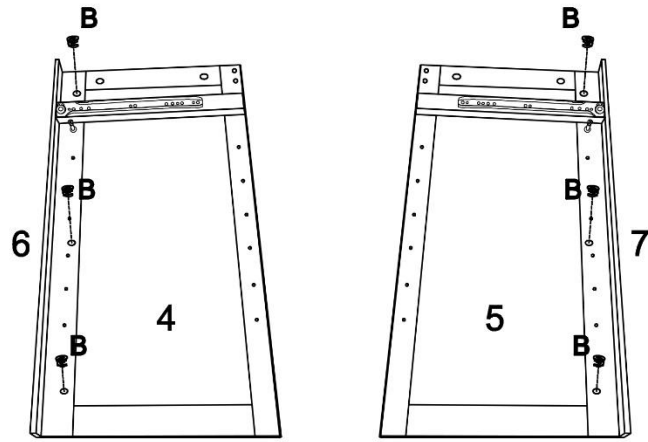
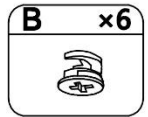
9



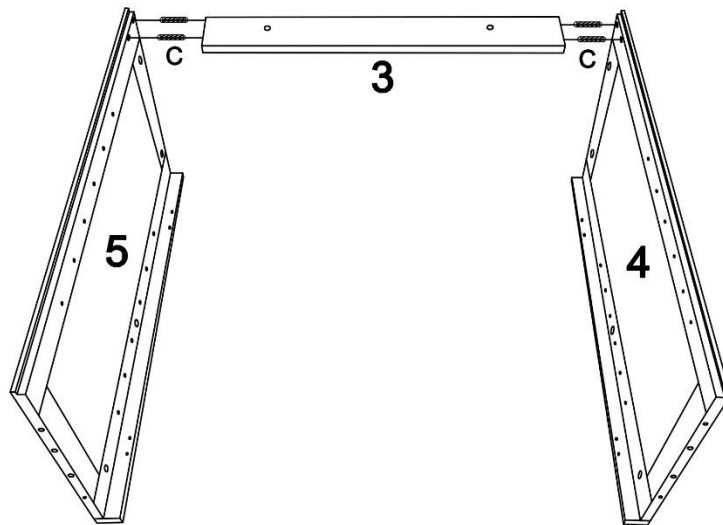
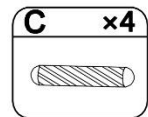
10



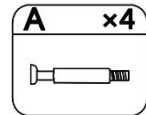
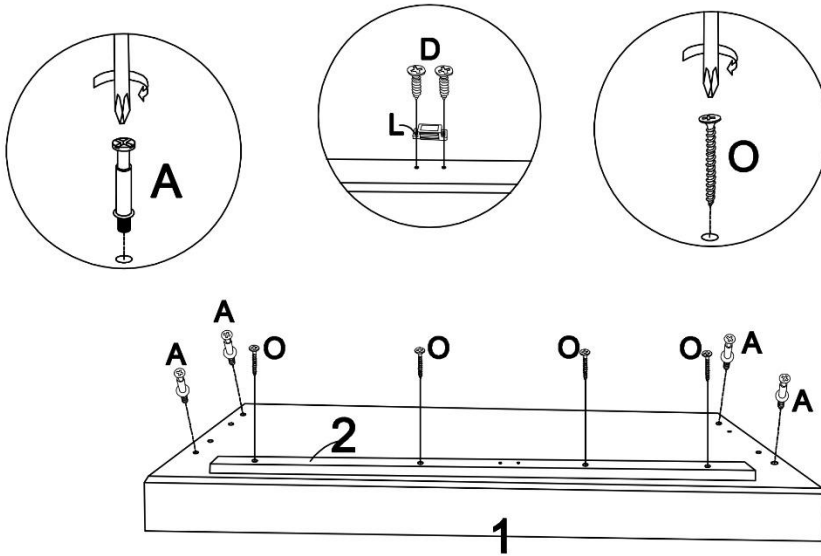
11



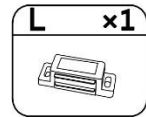
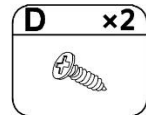
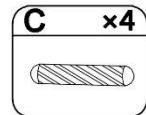
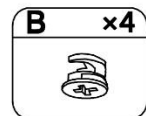
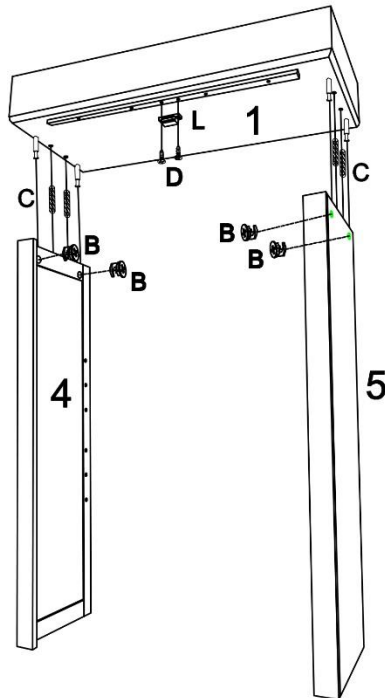
12



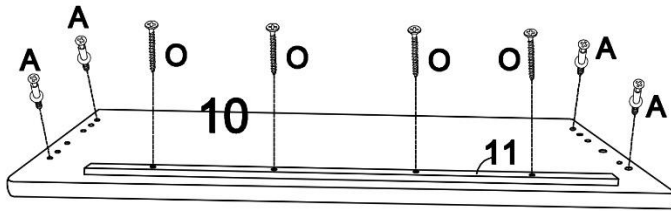
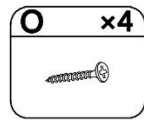
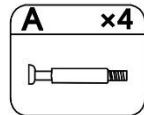
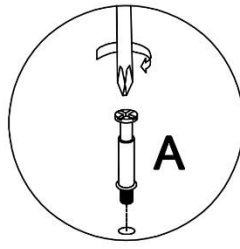
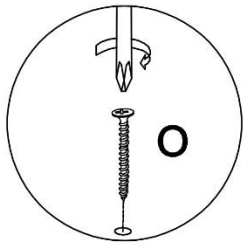
13



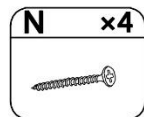
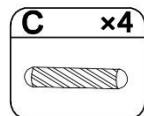
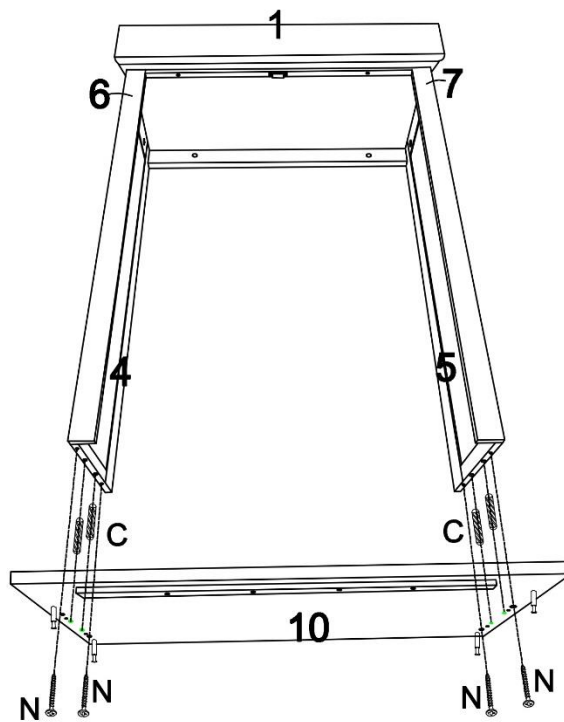
14

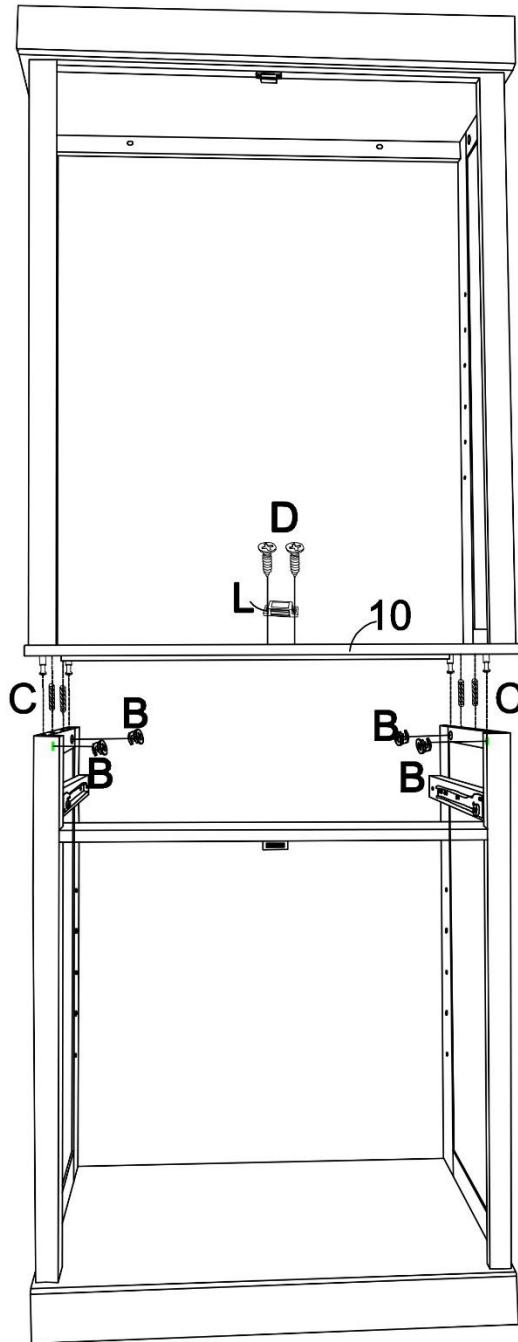
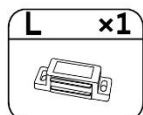
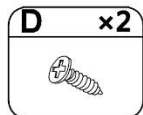
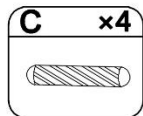
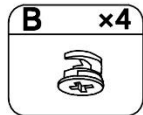


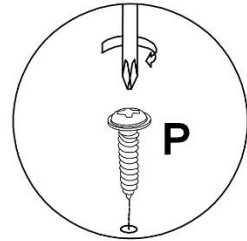
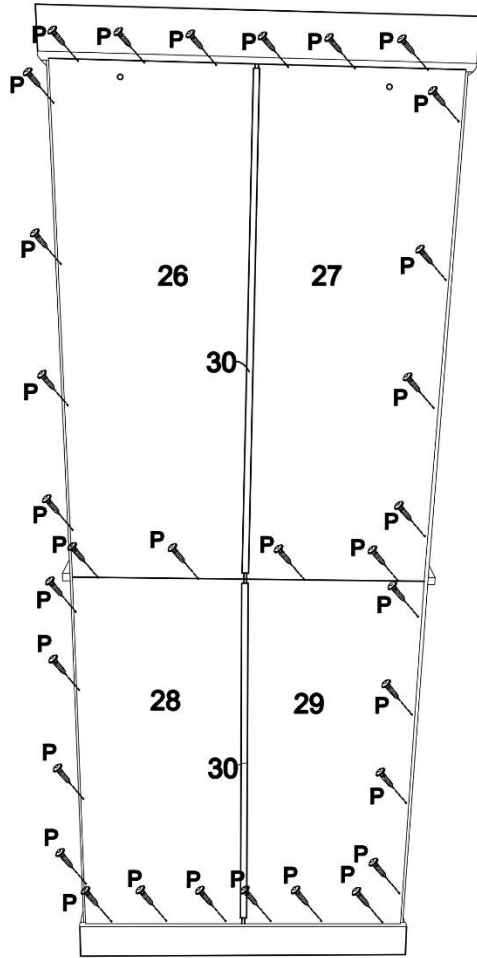
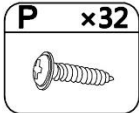
15



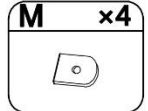
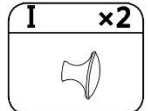
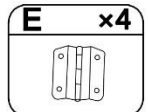
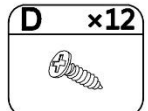
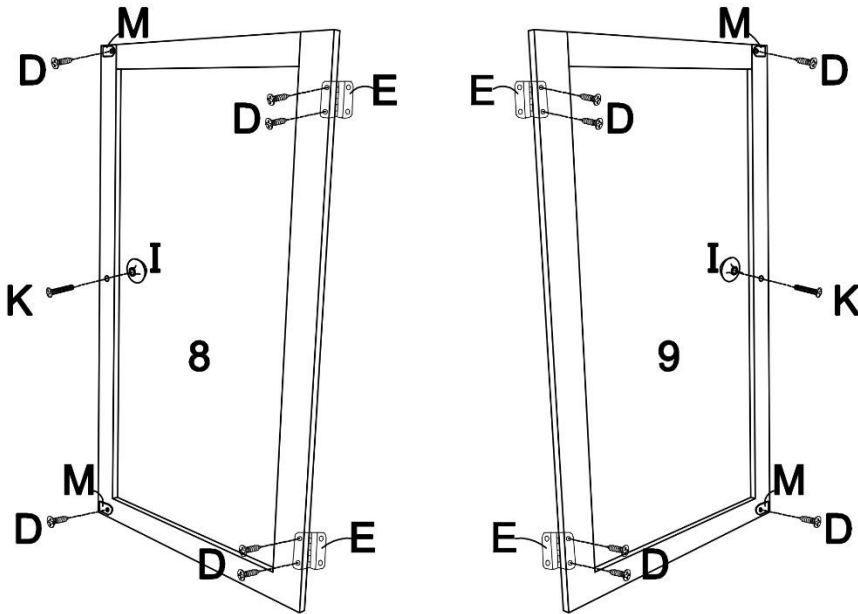
16



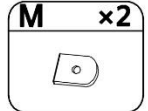
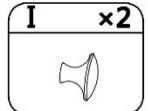
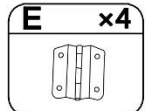
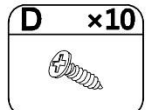
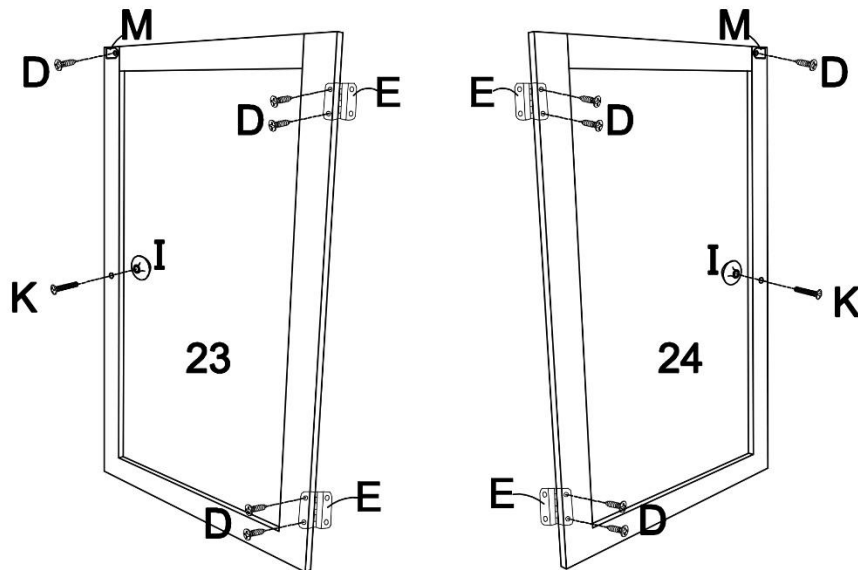




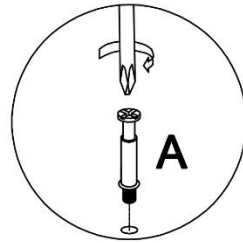
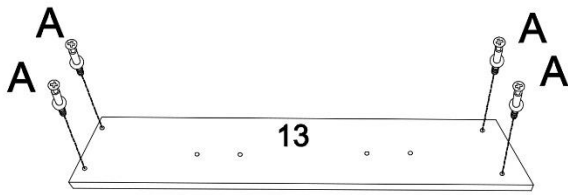
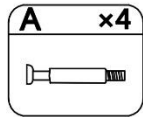
19



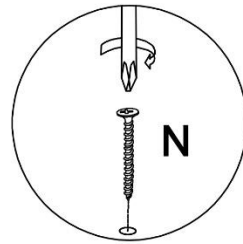
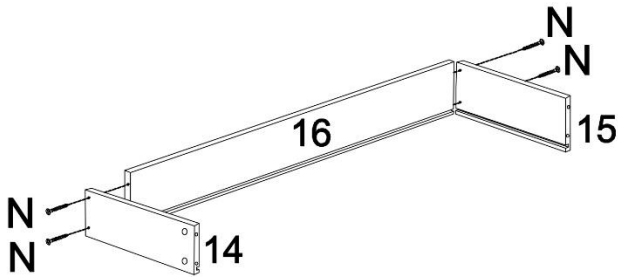
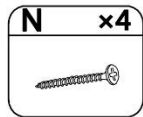
20



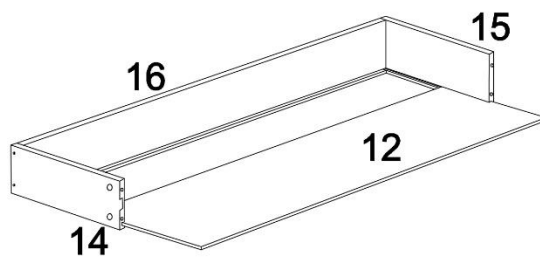
21



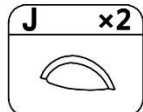
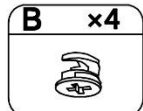
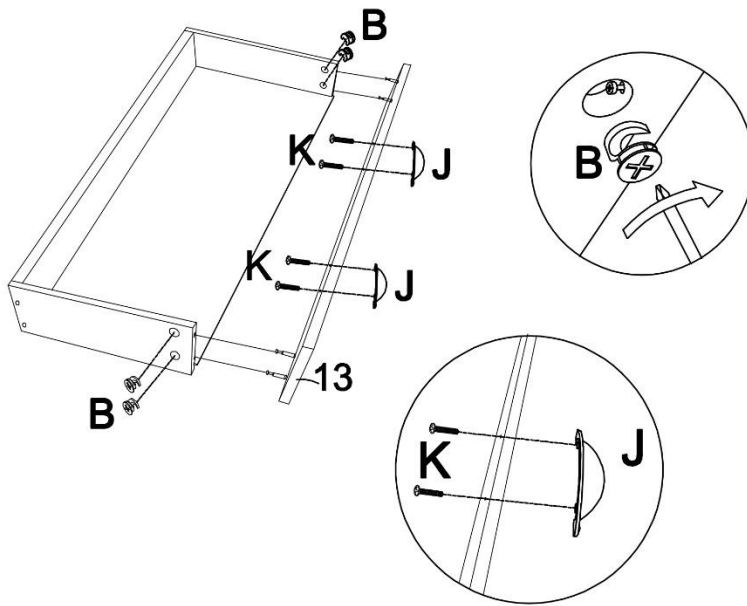
22



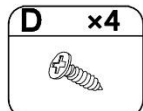
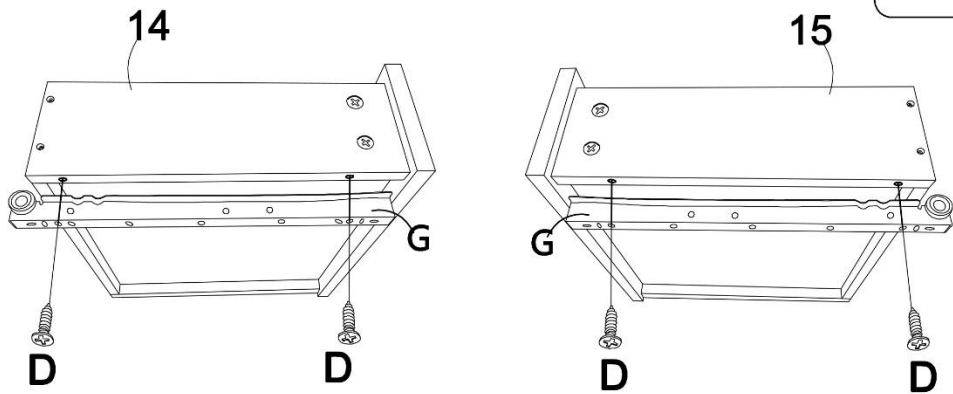
23



24



25

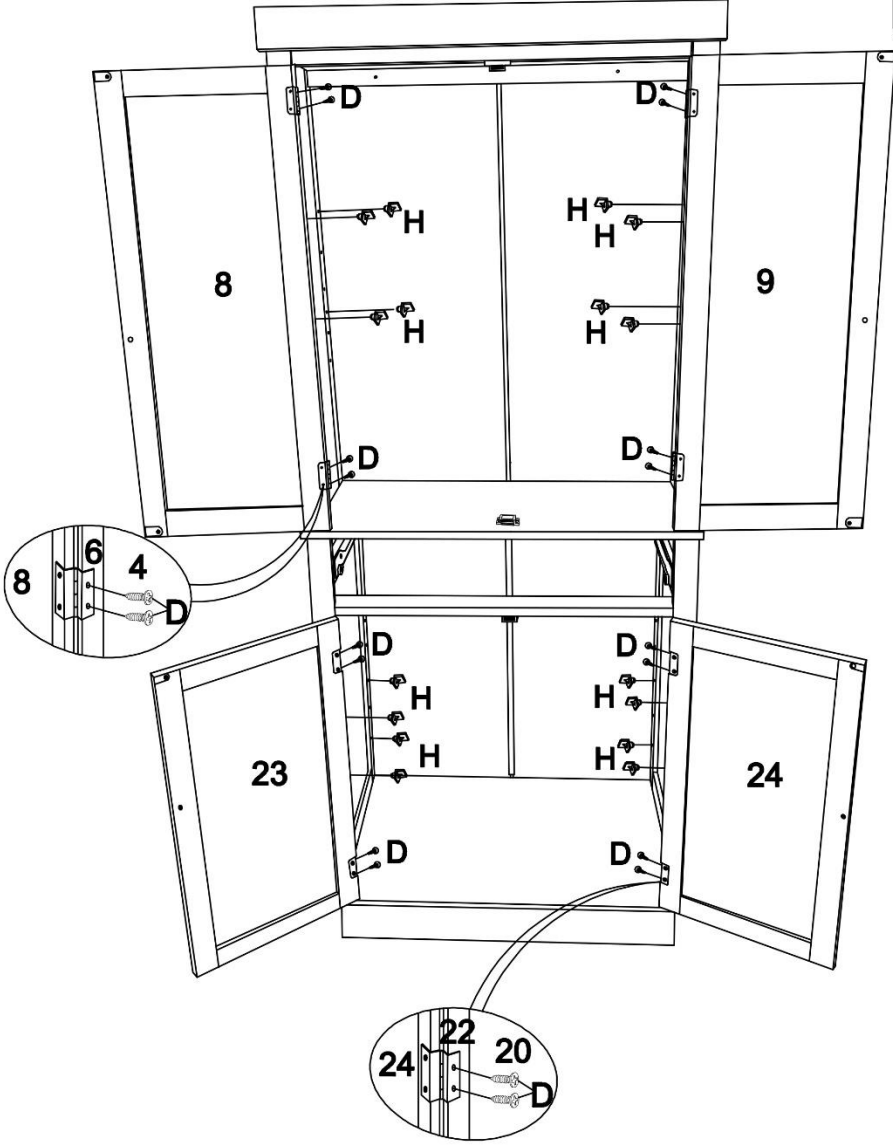


26

D x16



H x16



27

