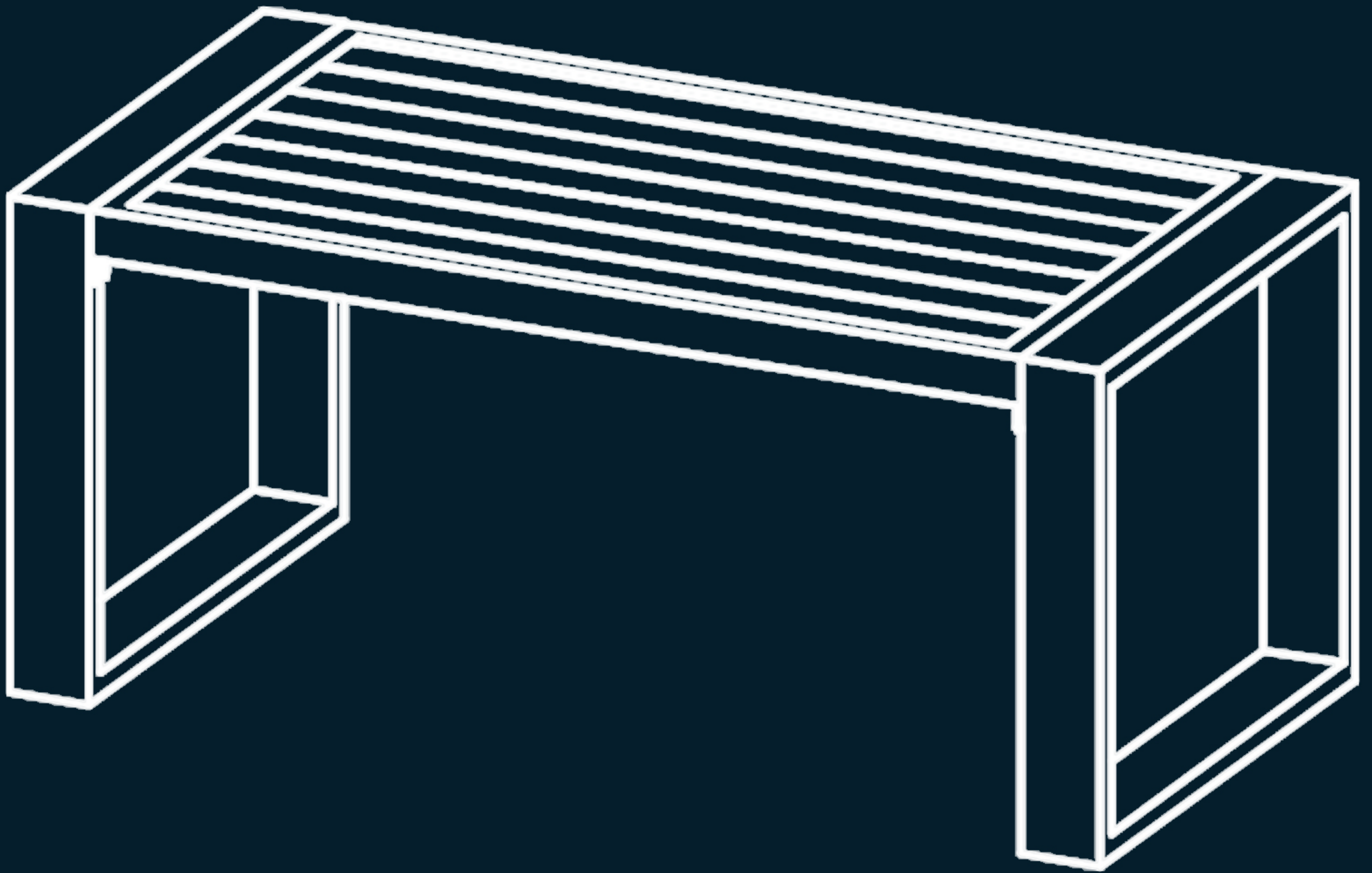
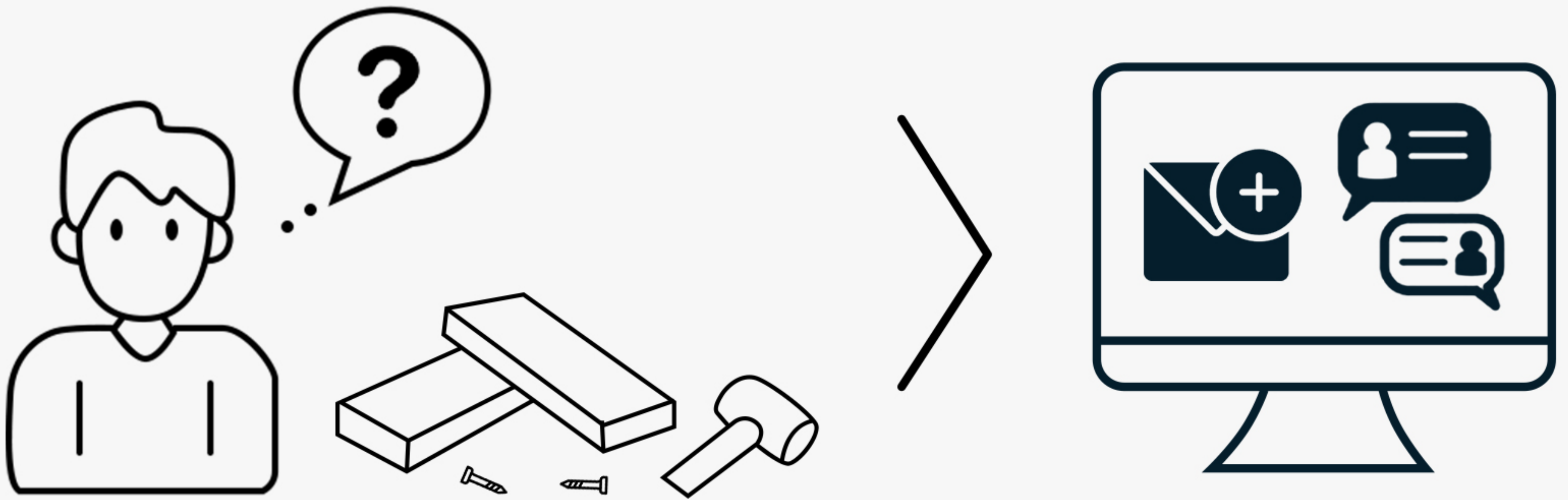


# INSTRUCTION MANUAL



Coffee Table


OACS-004-DG




**Questions? Comments?**  
**Reach out to us for expert support!**

 [service@sundaleoutdoor.com](mailto:service@sundaleoutdoor.com)

 [sundaleoutdoor.com](http://sundaleoutdoor.com)

 (626) 899-5788

 2080 S Cucamonga Ave,  
Ontario, CA 91761

Follow sundaleoutdoor on





## **READ & SAVE BELOW INSTRUCTIONS BEFORE ASSEMBLY**

- Please separate and identify all parts, making sure that you have all of the parts listed.
- To avoid any scratch during assembly, please assemble on a soft mat or similar.
- Please assemble step by step and follow the instructions.
- Washers must be used.
- Do not completely fasten each screw and nut until all the screws are properly fixed.

## **WARRANTY**

- Thank you for purchasing our outdoor furniture, We are pleased to offer a one-year warranty on the quality of the product. This warranty covers any manufacturing defects or malfunctions that may occur within the first year of ownership.
- Exclusions: The warranty does not cover damages resulting from misuse , negligence, accidents, normal wear and tear, unauthorized repairs or modifications, improper assembly, or failure to adhere to the care and maintenance guidelines provided.

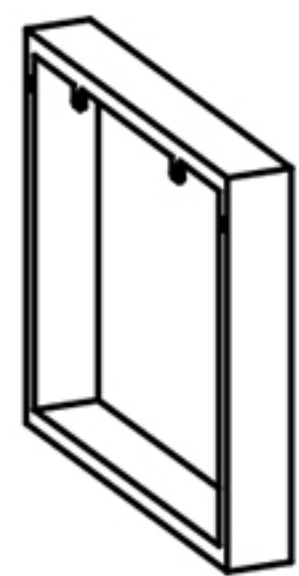
## **MAINTENANCE AND CARE**

- Protect it from extreme weather by moving it to a covered area or using furniture covers.
- Avoid dragging heavy objects on the furniture to prevent damage.
- Regularly inspect for wear or damage and address any issues promptly.
- Check and tighten hardware connections periodically.
- Keep packaging until assembly is complete to avoid losing small parts.
- Use a damp cloth with warm soapy water or a suitable cleaning product to clean the furniture.
- Ensure proper drying after cleaning to prevent mold growth.

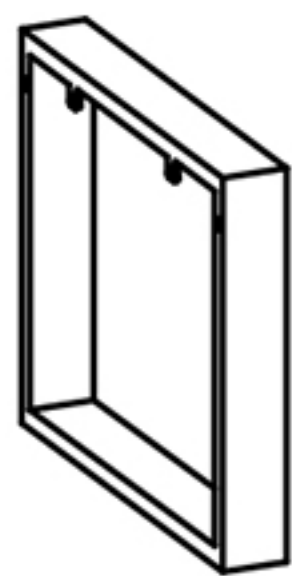
# PARTS

- Carefully unpack all components and verify that all necessary parts are included in the package before assembling. Assemble the furniture in the order specified to ensure proper alignment and installation.
- If any difficulty occurs during assembly, please contact our customer support.

## PARTS



Left Table Leg  
Ox1



Right Table Leg  
Px1

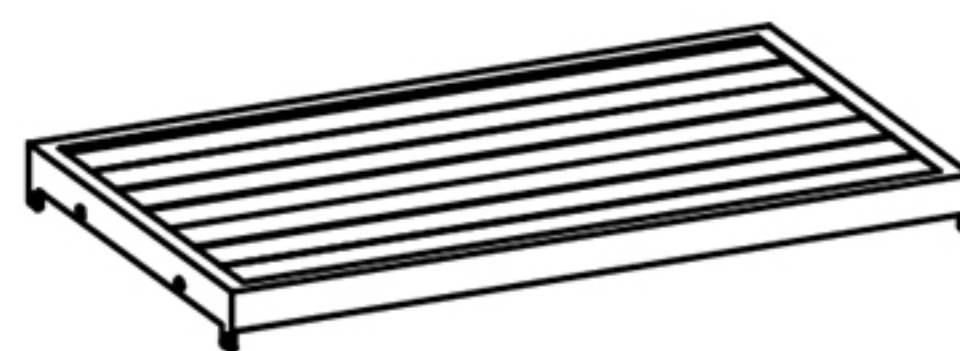
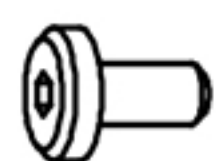


Table Top  
Sx1

## HARDWARE



Height Adjustment  
Screw  
Qx4



Bolt M6\*15MM  
Rx8

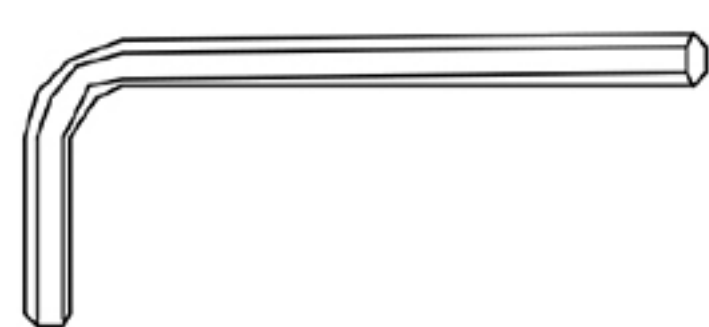


Washer  
Ux8



Cap  
Vx8

## TOOL



Allen Wrench



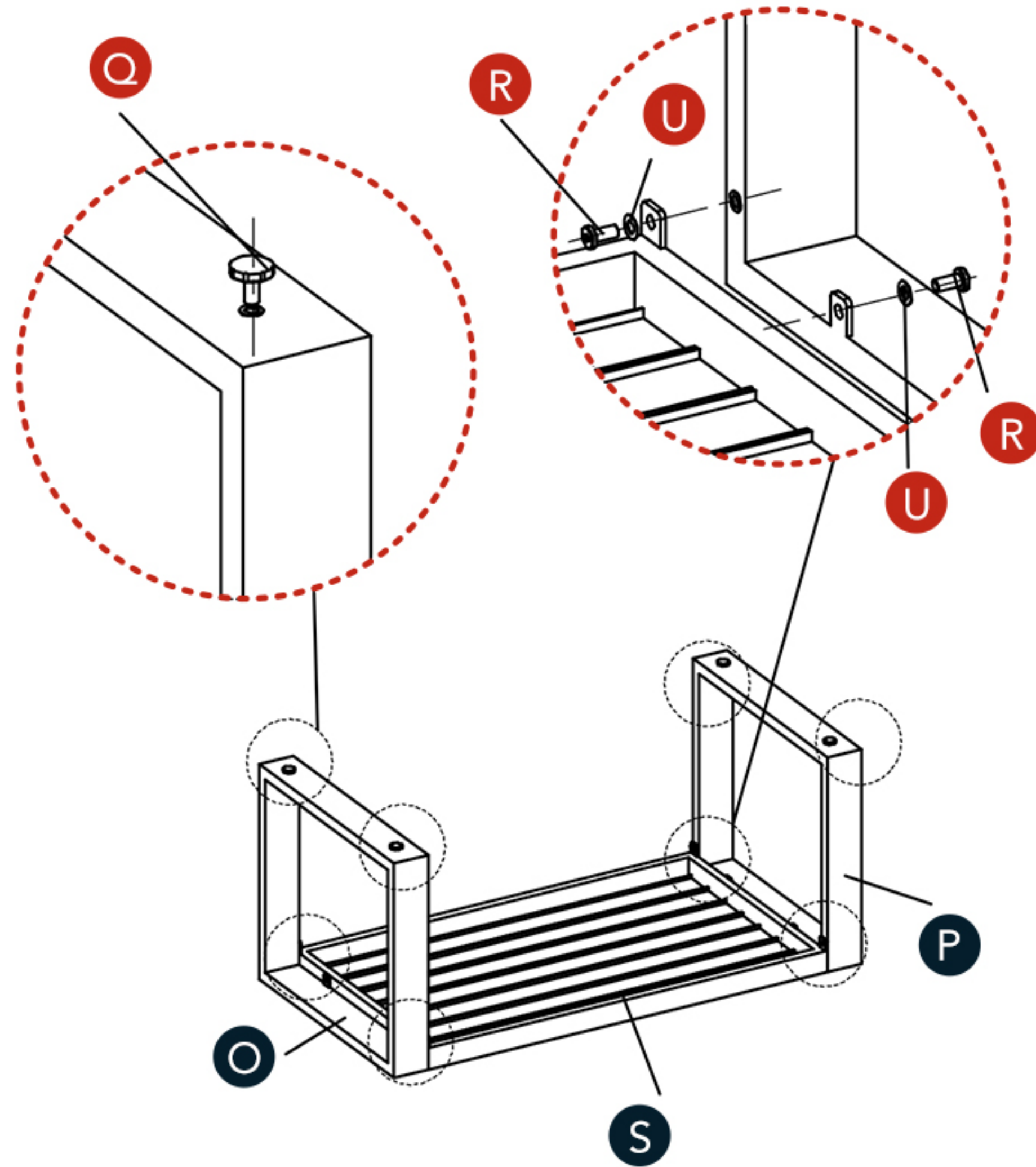
1 PERSON  
ASSEMBLY



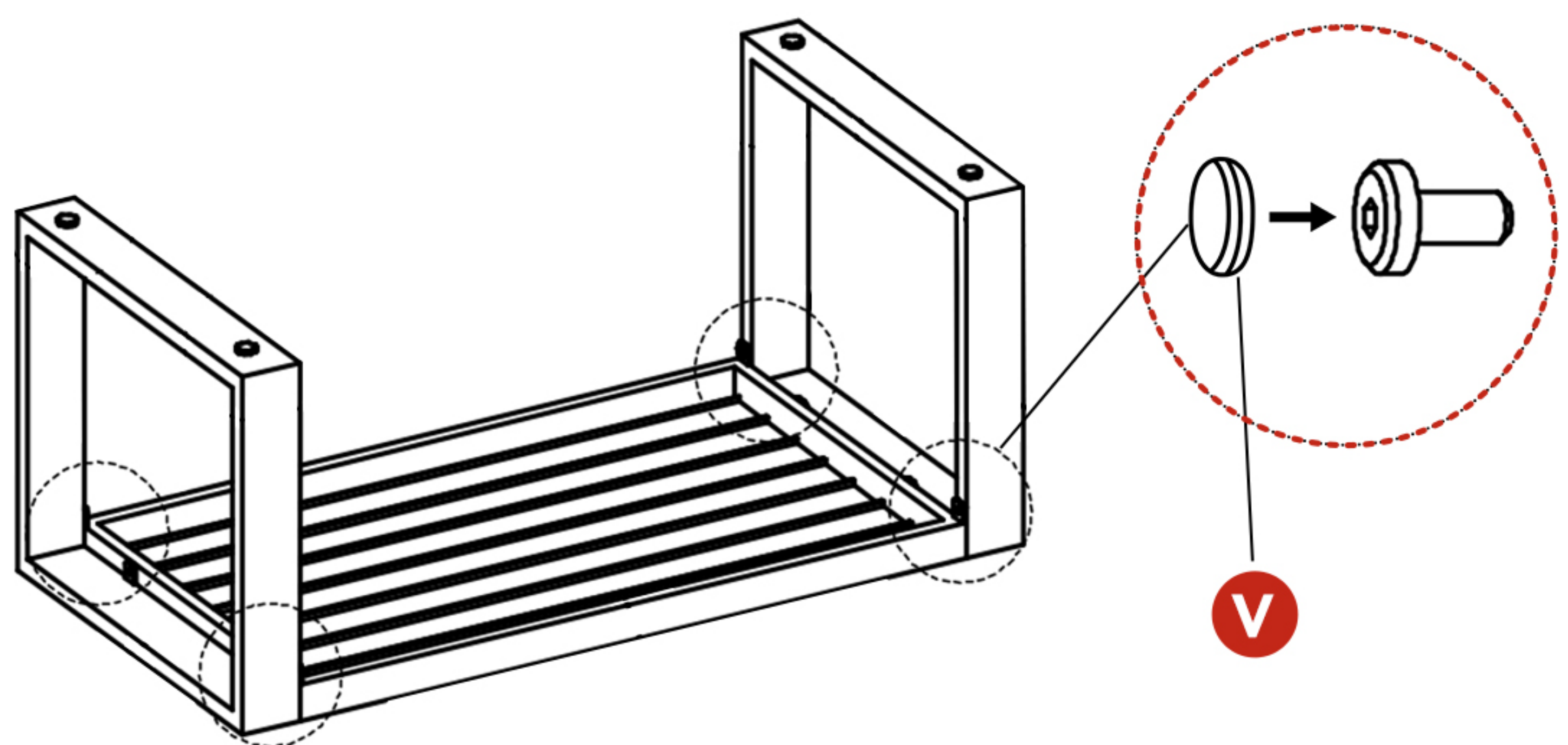
UP TO 15 MIN.  
ASSEMBLY

# ASSEMBLY

Note: Do not fully tighten screws, tighten the screws only after all components are installed.



- 1** -Attach the Table Top to the Left and Right Table Leg using Bolt M6\*32MM[R] & Washer[U].  
-Install the Height Adjustment Screw[Q].



- 2** Install the Cap[V].



**QUESTION ABOUT OUR PRODUCT? WE'RE HERE TO HELP.**

Contact us at: [service@sundaleoutdoor.com](mailto:service@sundaleoutdoor.com)