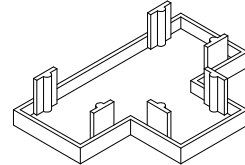
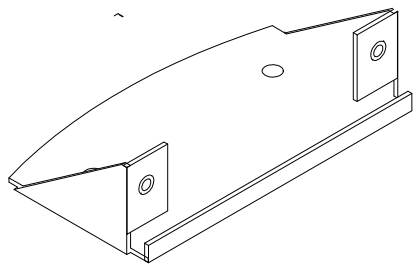
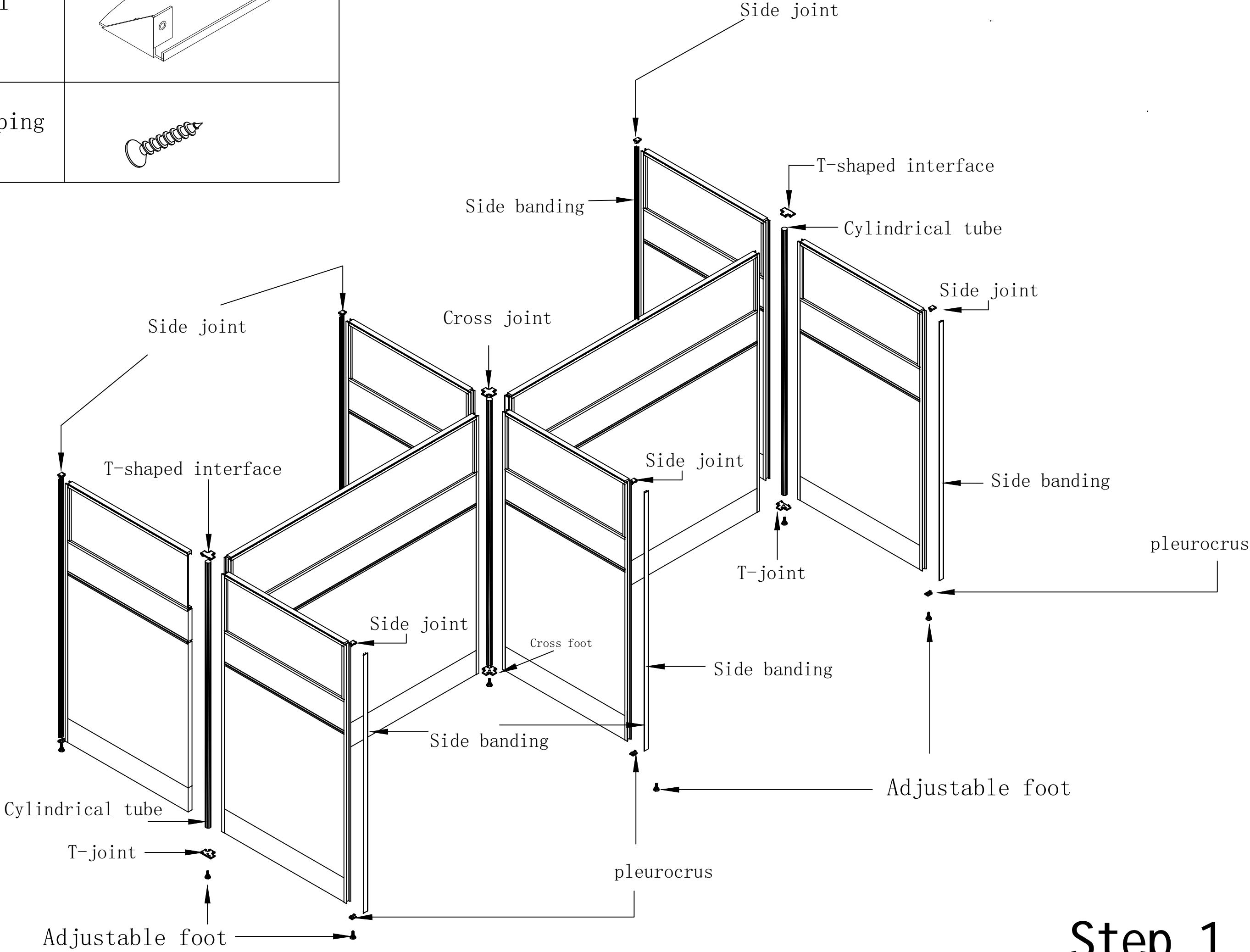
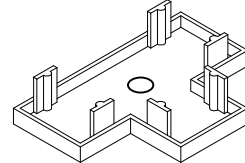
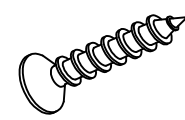
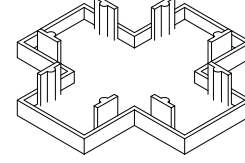
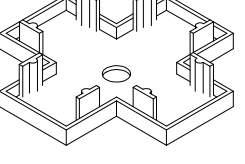
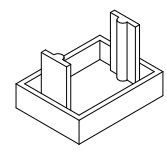
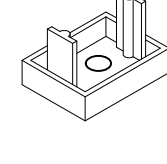
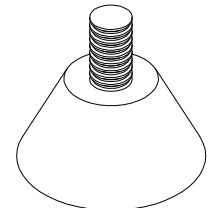
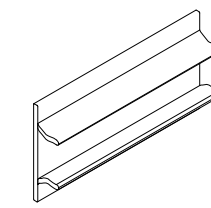
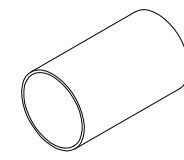


Installation guide

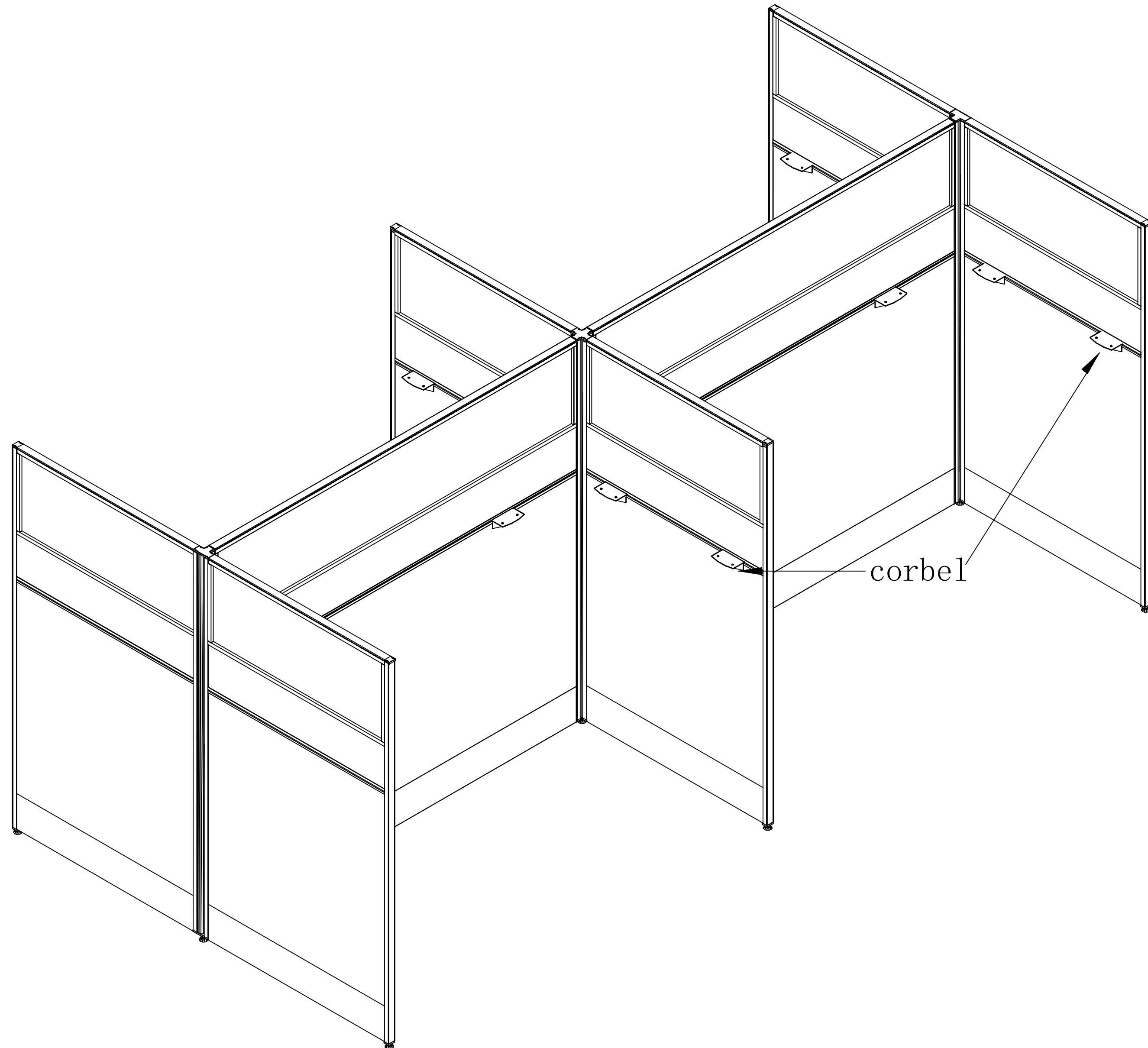
*To prevent damage during transportation, some extra panels and screws are included in the accessories, intended as backup parts

T-shaped interface		corbel		
T-joint		Self-tapping yarn		
Cross joint				
Cross foot				
Side joint				
pleurocrus				
Adjustable foot				
Side banding				
Cylindrical tube				

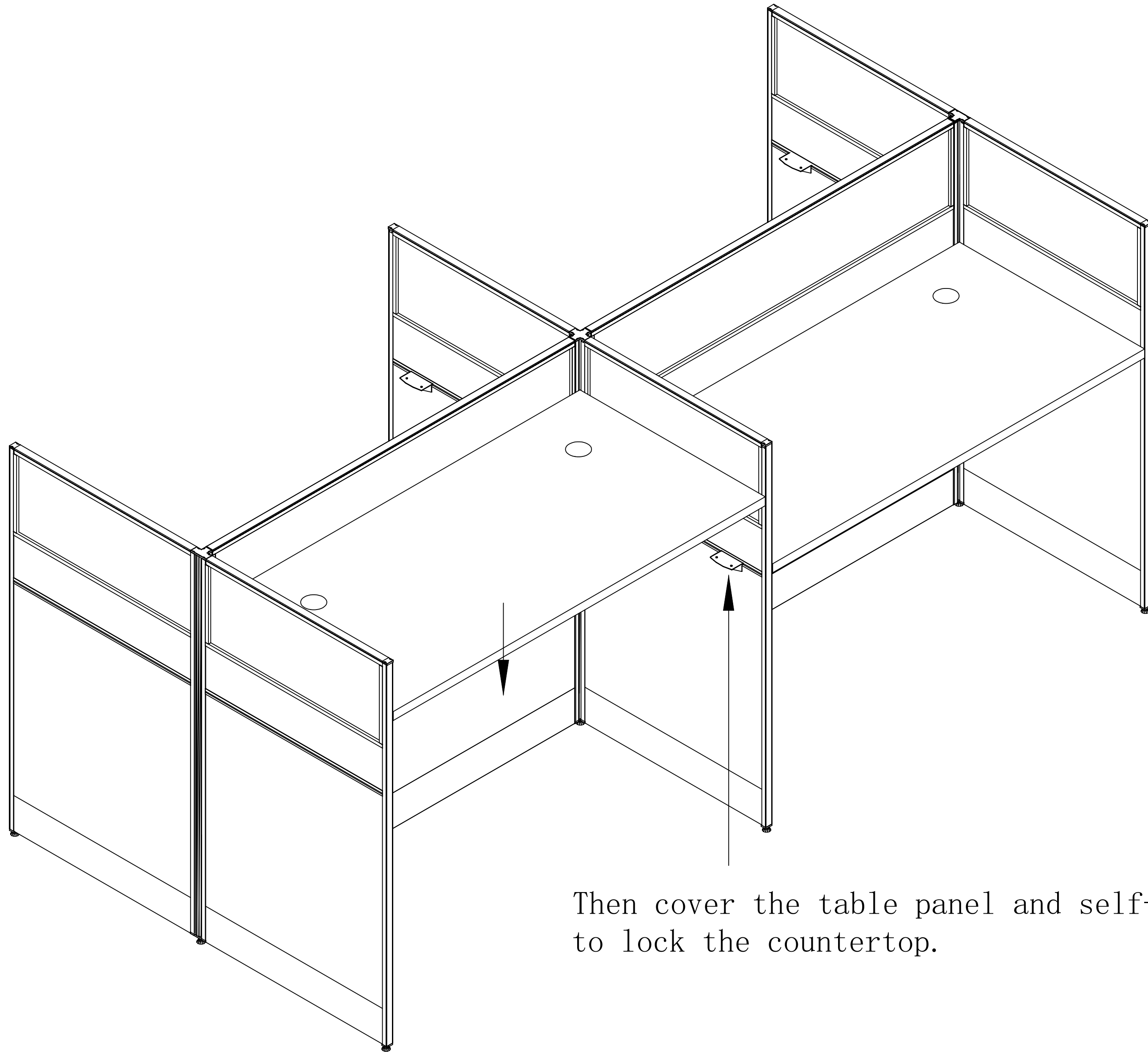
Step 1

Step 2

The bracket arm is adjusted and fixed on the screen plate with self-tapping.



Step 3



Then cover the table panel and self-tapping screws to lock the countertop.