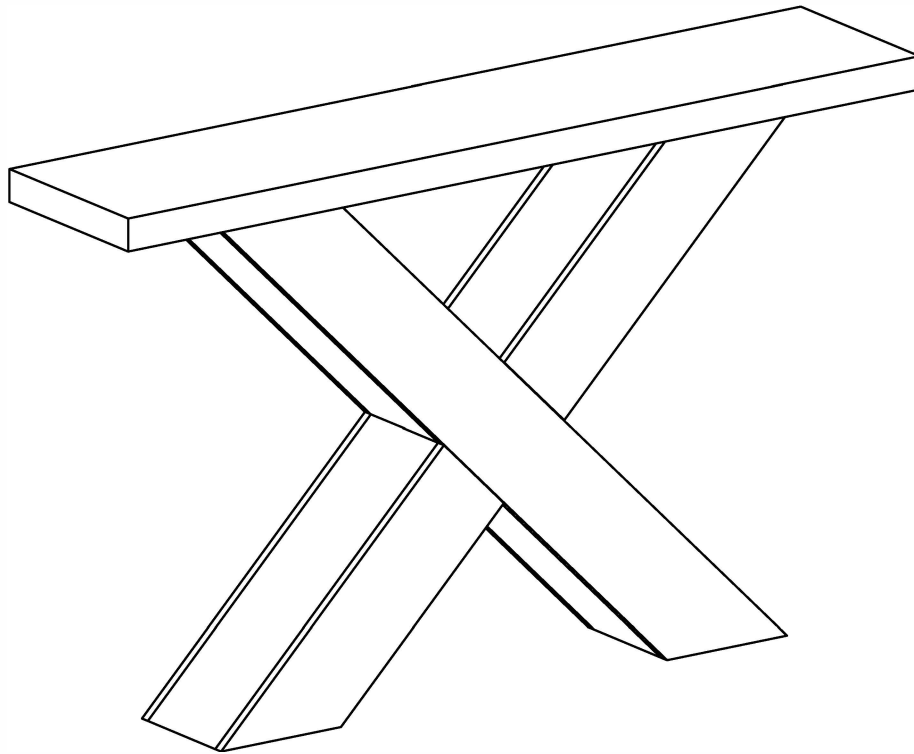


# ASSEMBLY INSTRUCTION

## SOFA TABLE



---

### NOTED:

1. It is recommended that this item should be assembled by two adults.
  2. Assemble this item on a soft surface, such as cardboard or carpet, to protect finish.
- For product assistance and warranty information, please contact O&K FURNITURE before return this product:

**Customer Service:** [wf-service@golden-south.com](mailto:wf-service@golden-south.com)


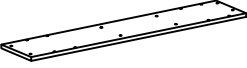


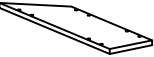
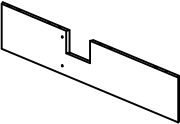
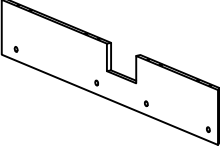
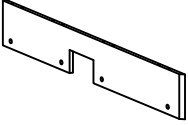
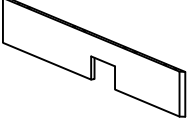

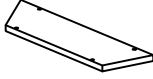
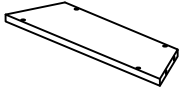
Please provide us with following information, so that it will be easier to resolve your problem smoothly.

- 1、 Order ID:
- 2、 Pictures of Your Items Damage or Parts Missing:


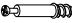

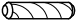


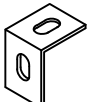

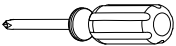
**ATTENTION:**

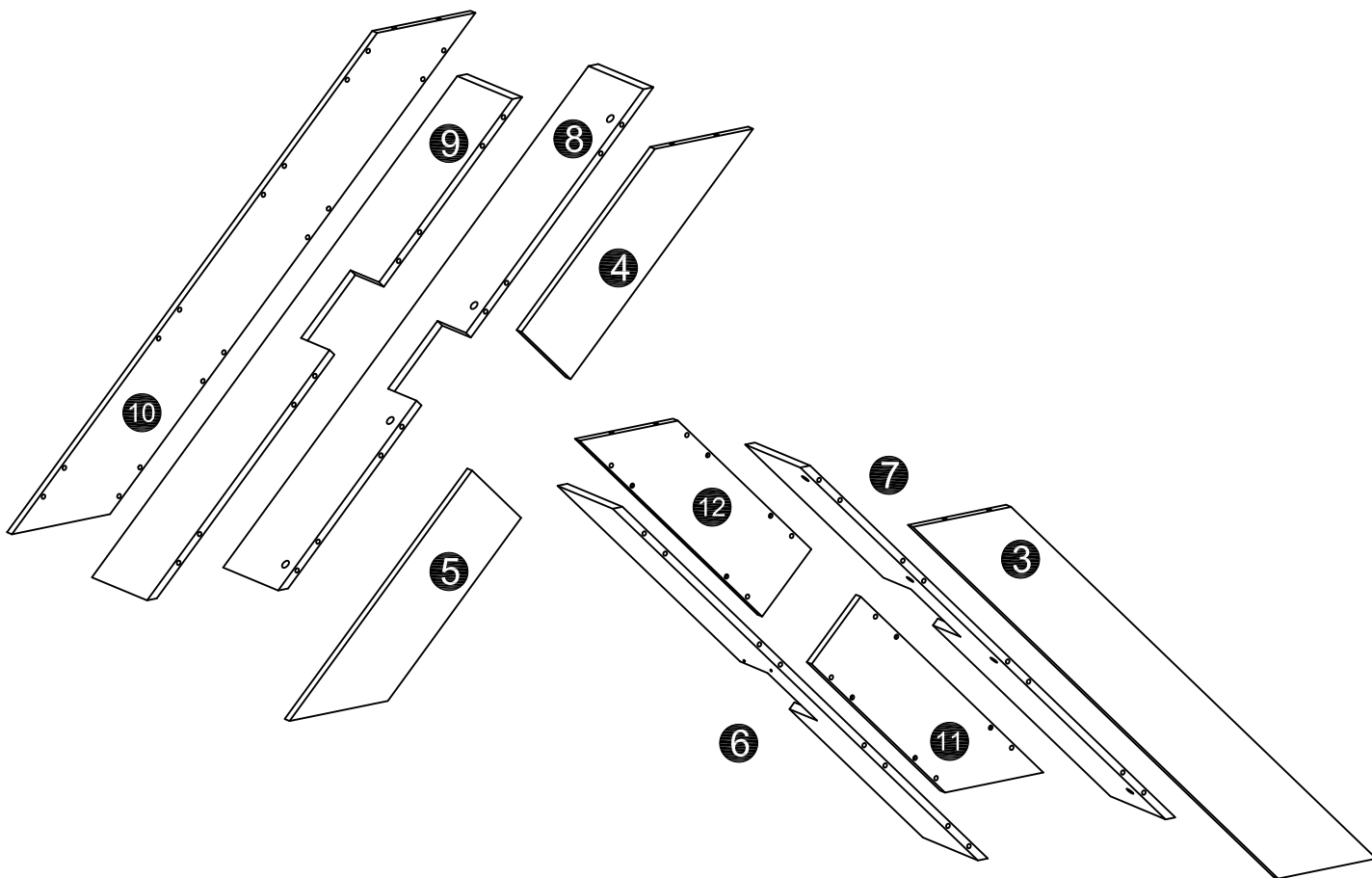
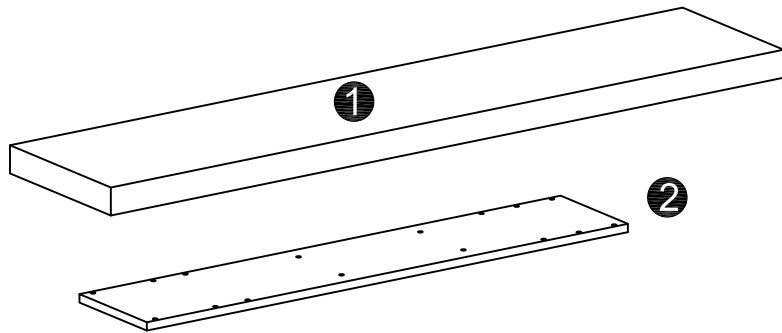
1. Check to ensure all parts and hardware are present.
2. We have provided extra hardware of B/C/D/E/F in case of any bolts missing in the boxes.
3. Do not fully tighten all bolts until all parts are in place. Failure to follow these instructions may cause the bolt to misalignment during assembly.

**Part List**

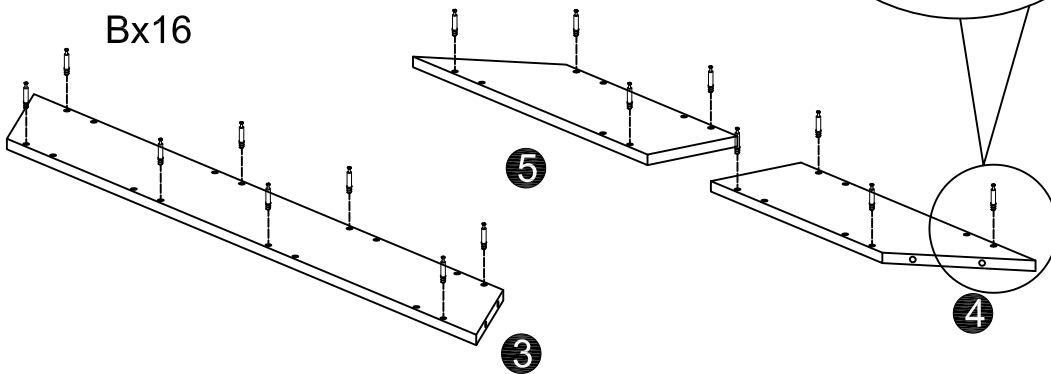
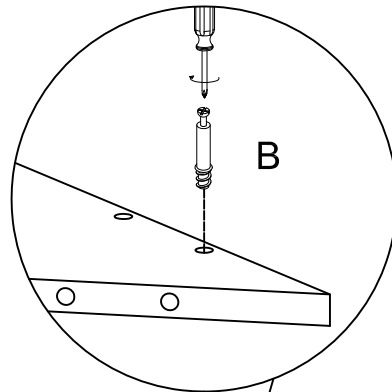
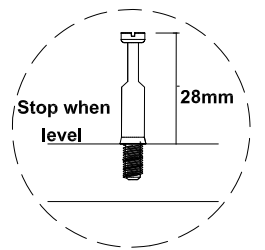
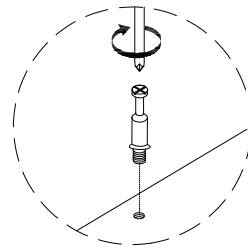
			
① x 1PC	② x 1PC	③ x 1PC	④ x 1PC
			
⑤ x 1PC	⑥ x 1PC	⑦ x 1PC	⑧ x 1PC
			
⑨ x 1PC	⑩ x 1PC	⑪ x 1PC	⑫ x 1PC

**Hardware**

				
M4			Ø8*30mm	
A x 1PC	B x 16PCS	C x 16PCS	D x 36PCS	
				
Ø7*50mm	M6*30mm		M6*12mm	
E x 24PCS	F x 8PCS	G x 2PCS	H x 4PCS	I x 1PC

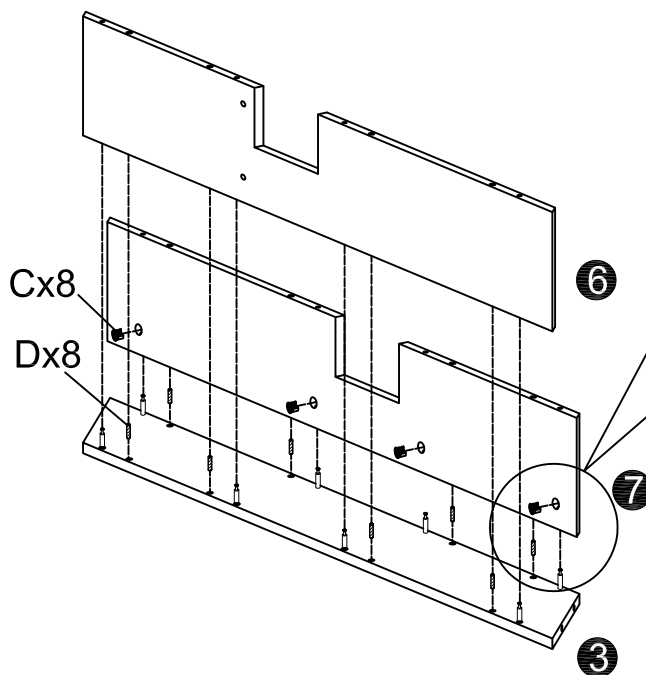
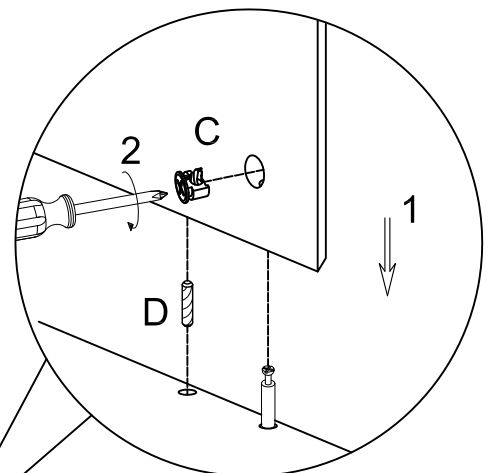


# step 1



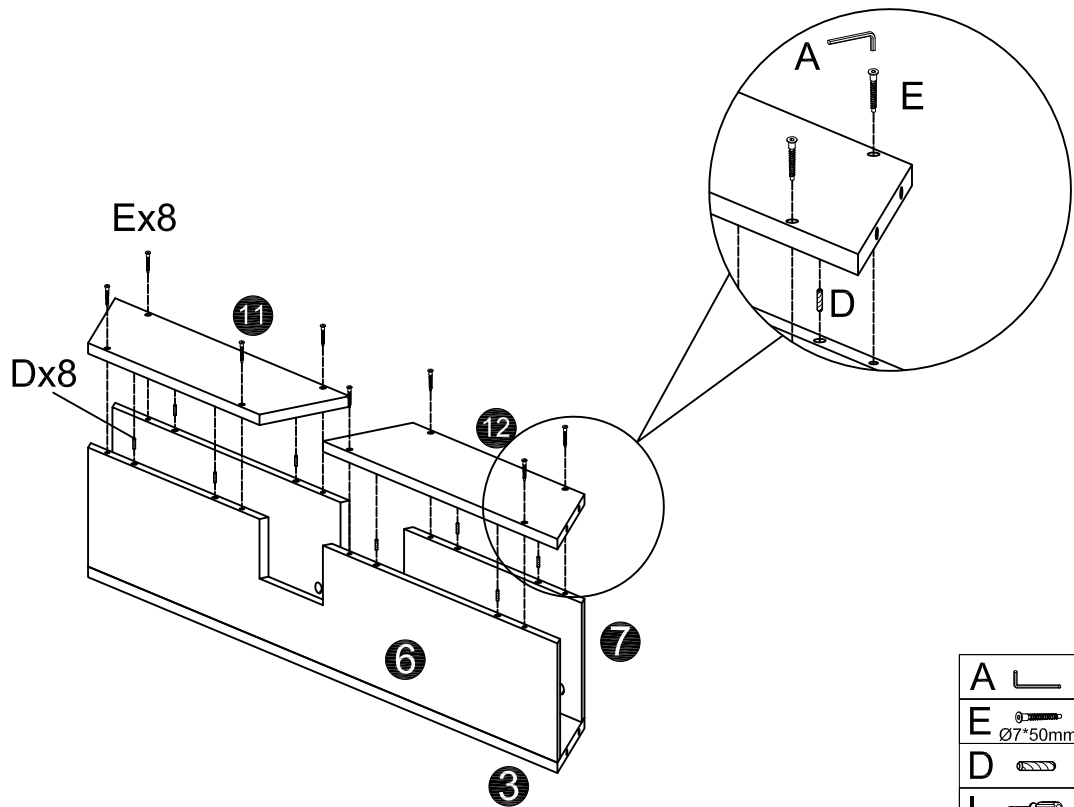
B		16PCS
I		1PC

# step 2



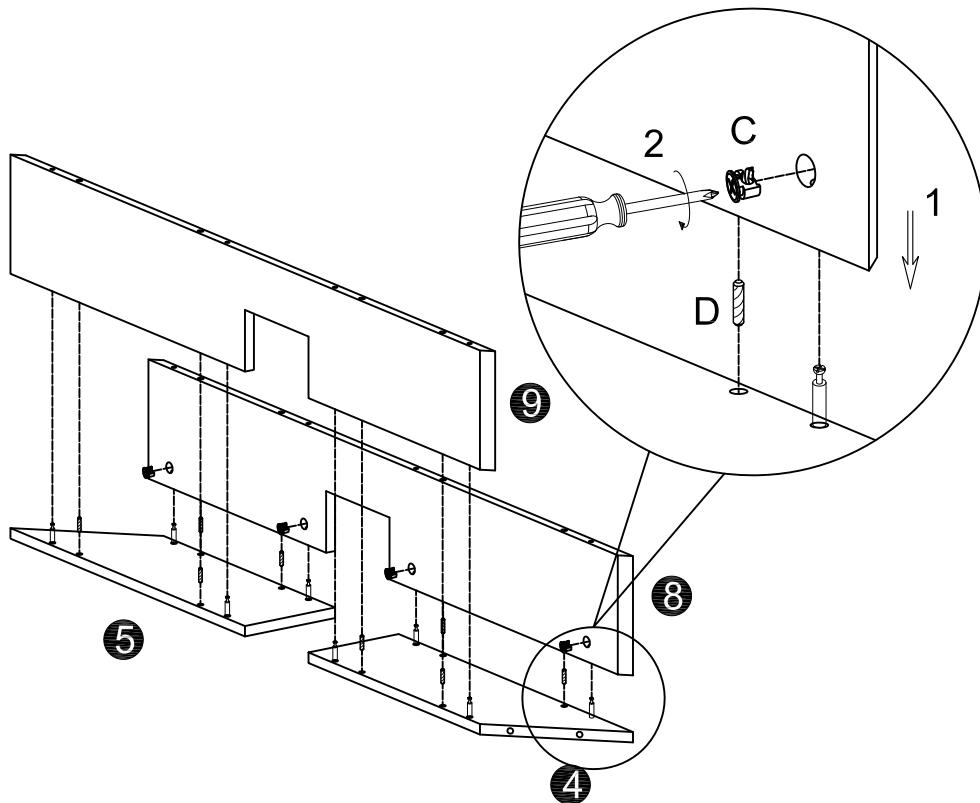
C		8PCS
D		8PCS
I		1PC

# step 3



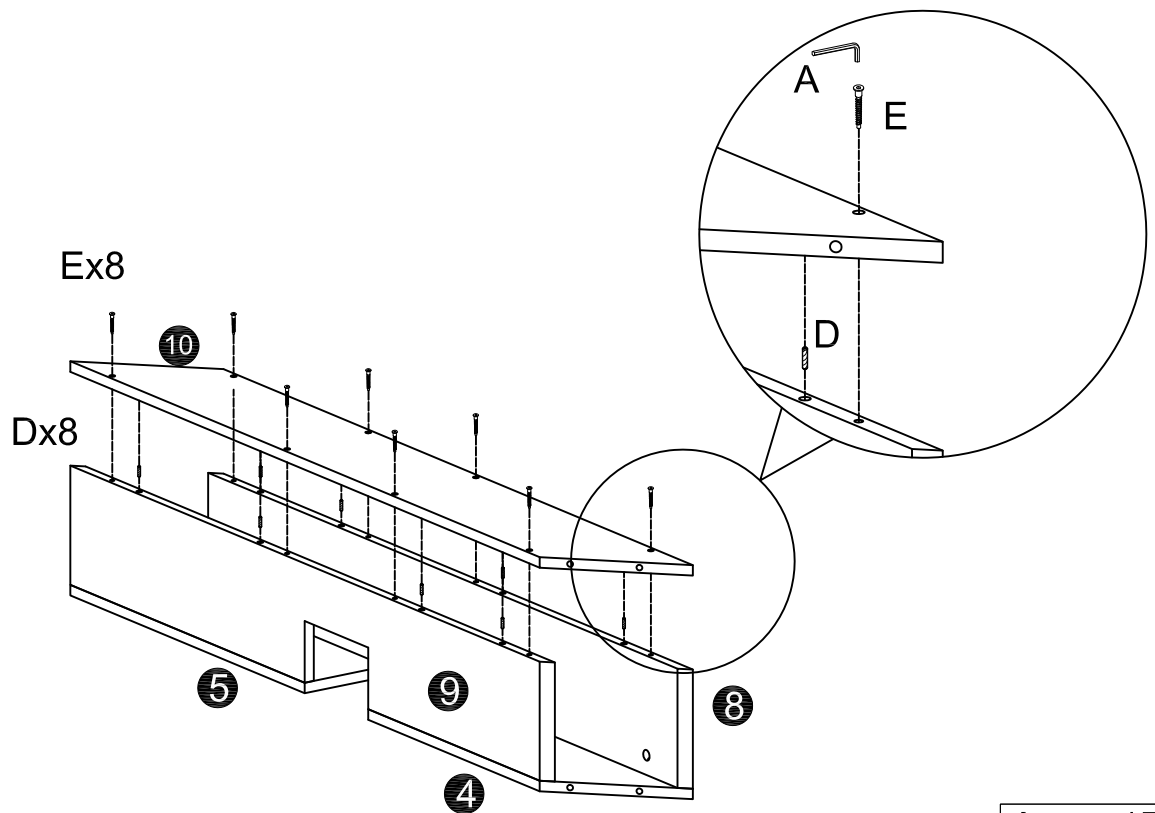
A		1PC
E		8PCS Ø7*50mm
D		8PCS
I		1PC

# step 4



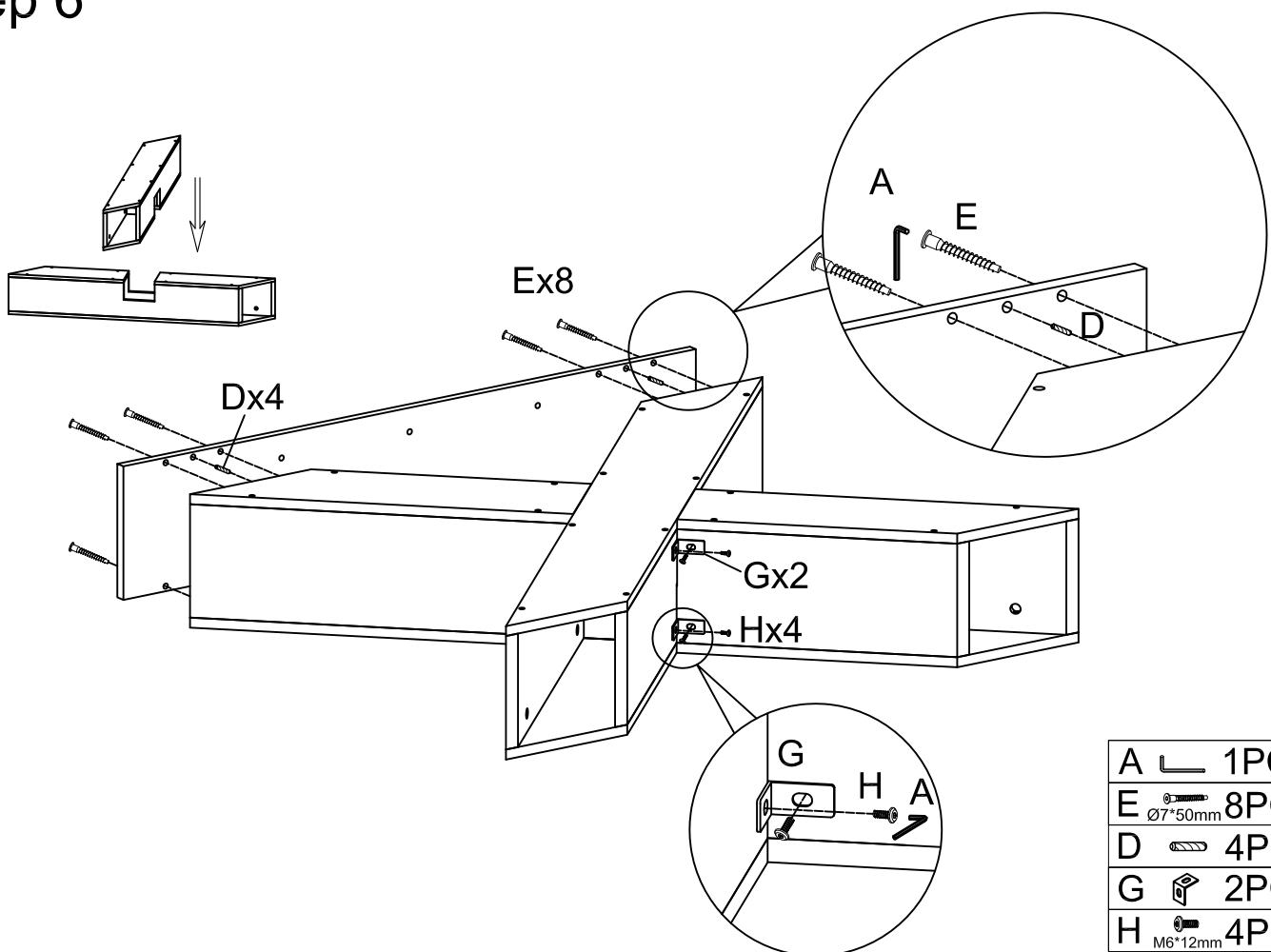
C		8PCS
D		8PCS
I		1PC

# step 5



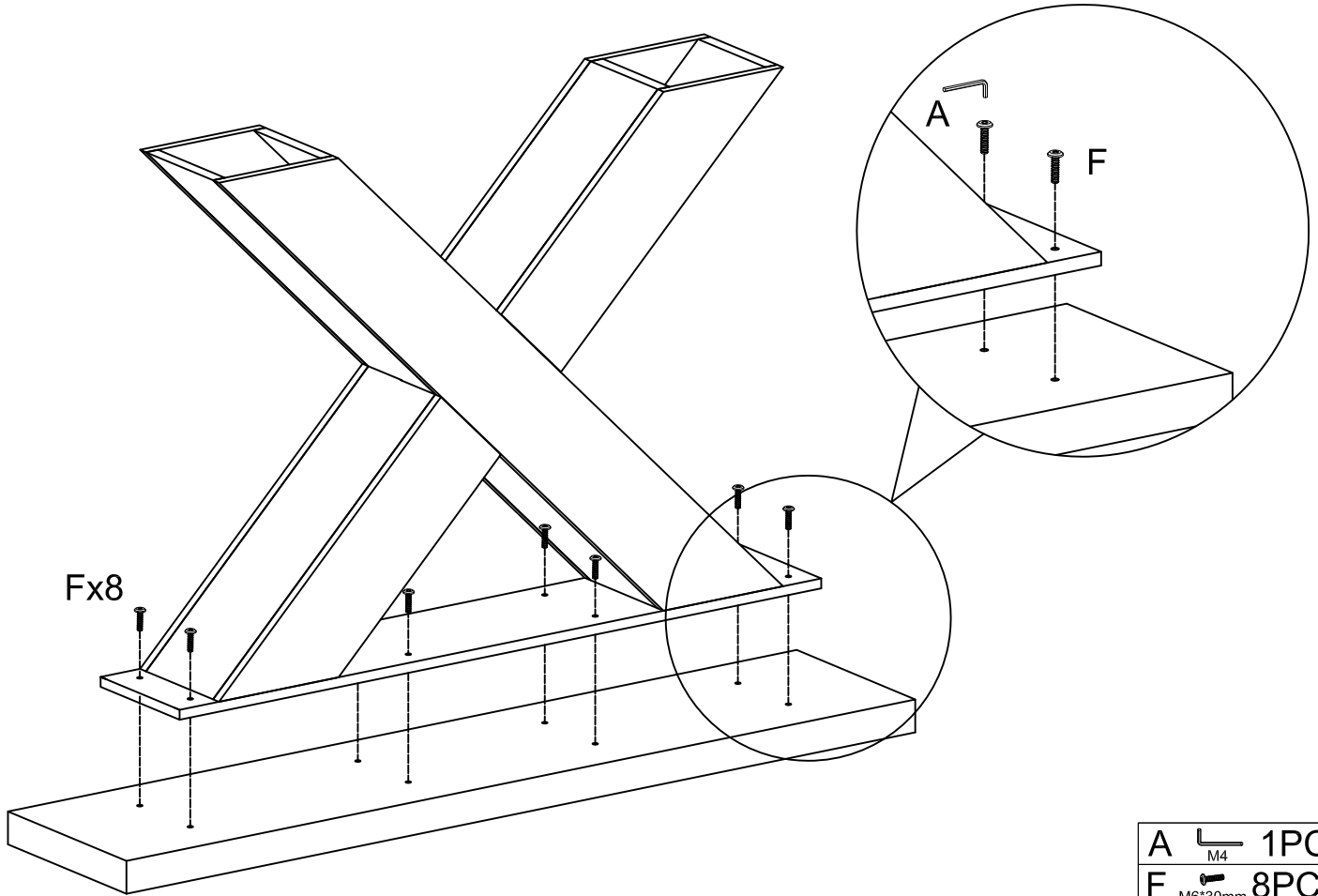
A		1PC
E		8PCS Ø7*50mm
D		8PCS

# step 6



A		1PC
E		8PCS Ø7*50mm
D		4PCS
G		2PCS
H		4PCS M6*12mm

# step 7



# step 8

