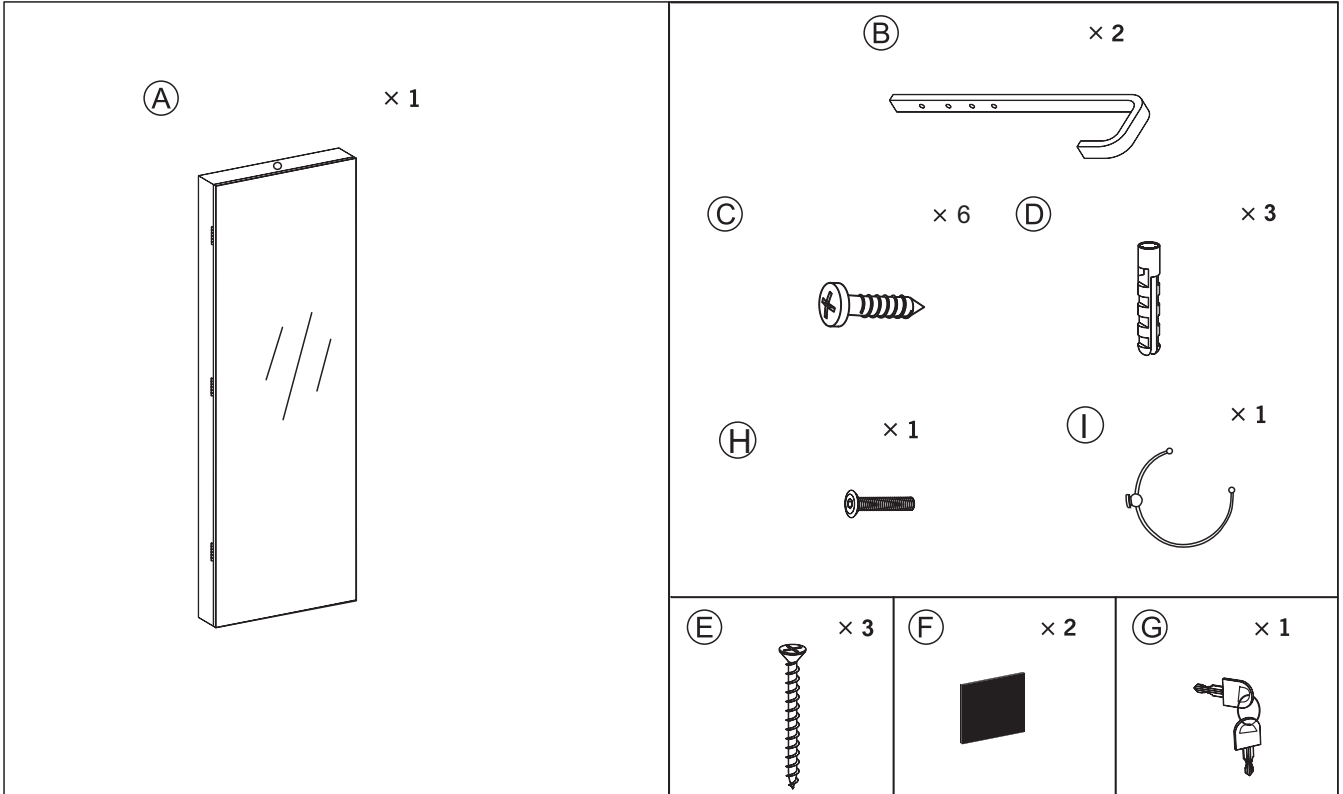
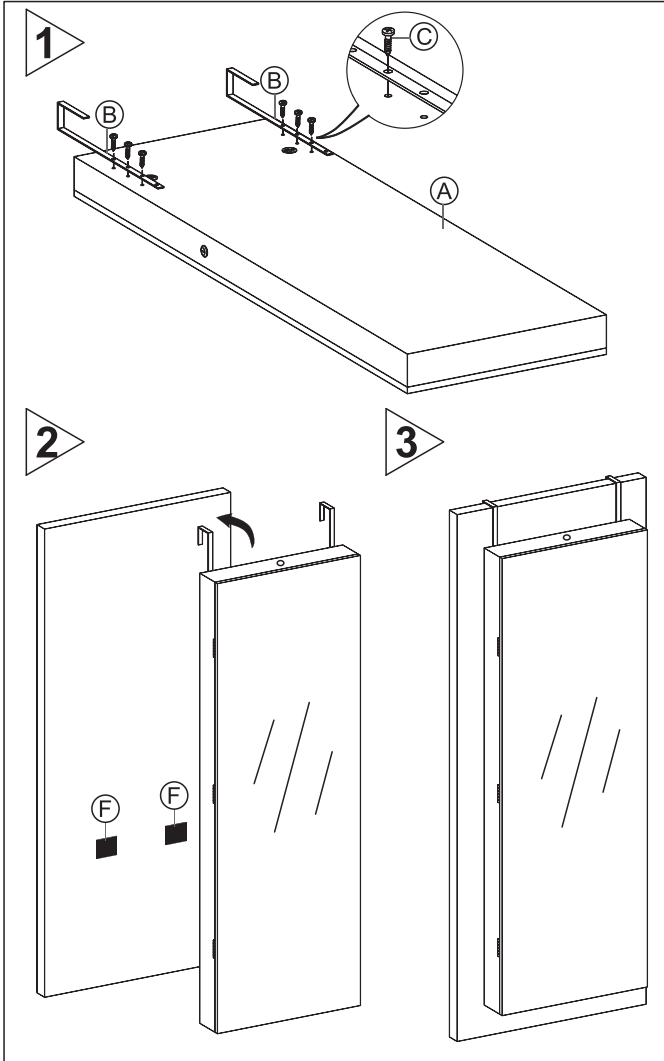


# ASSEMBLY INSTRUCTIONS



## Method 1



## Method 2

