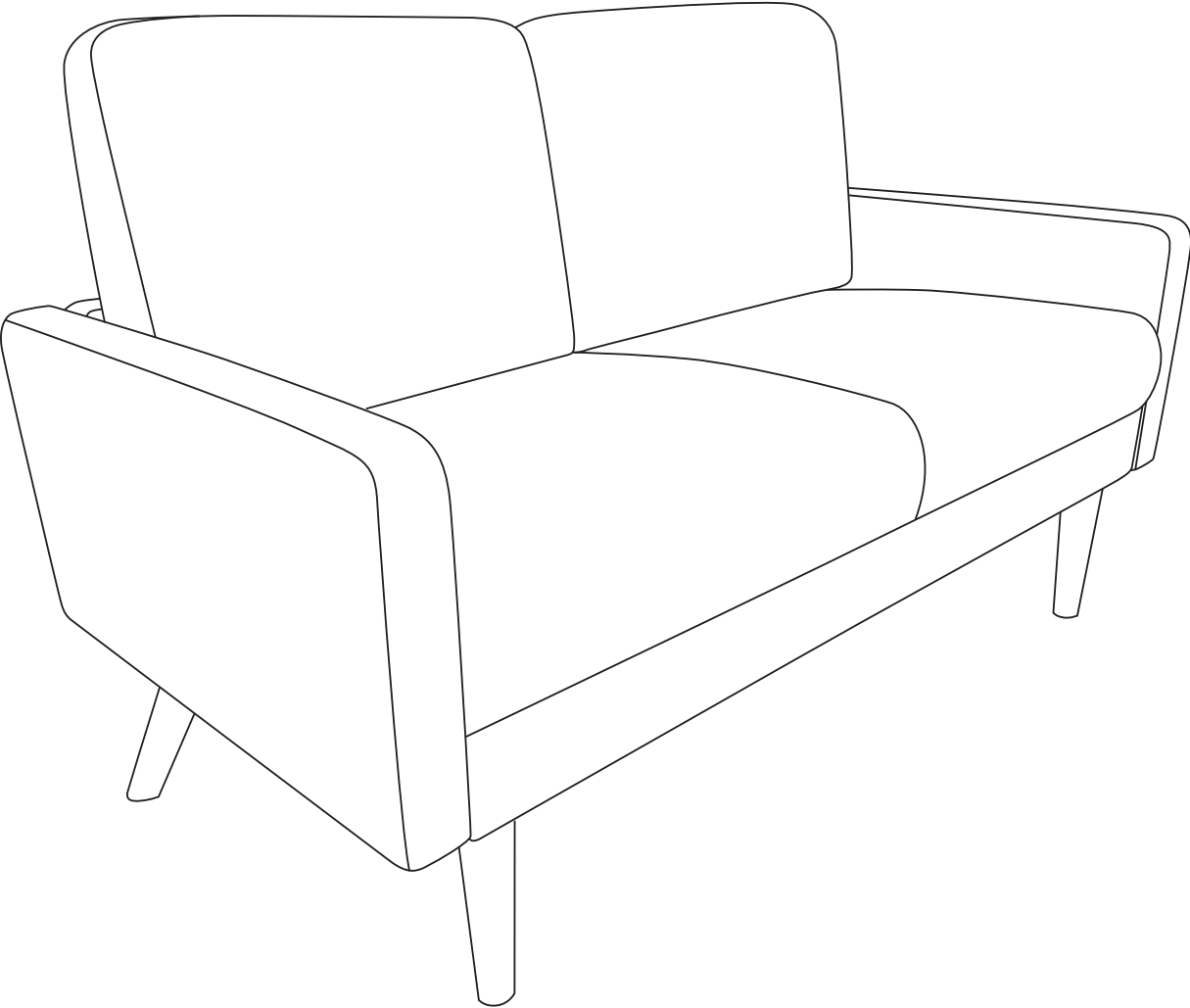


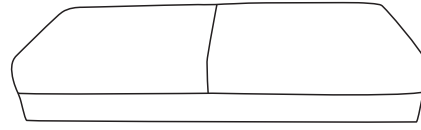
# ASSEMBLY INSTRUCTION FOR LOVESEAT



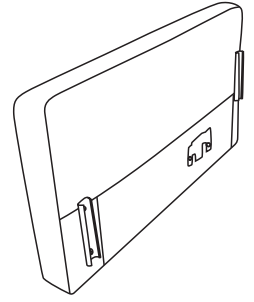
# Components List



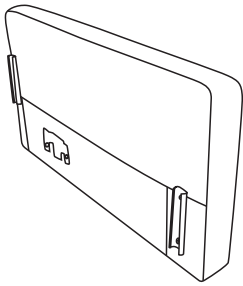
**Ex1**  
Sofa Back



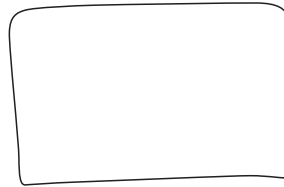
**Fx1**  
Sofa Seat



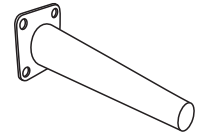
**G-Lx1**  
Left arm



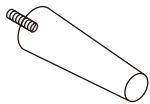
**G-Rx1**  
Right arm



**Hx2**  
back cushions



**ix2**  
Back Leg



**Jx2**  
Front Leg

# Hardware List

A M8x20mm

B

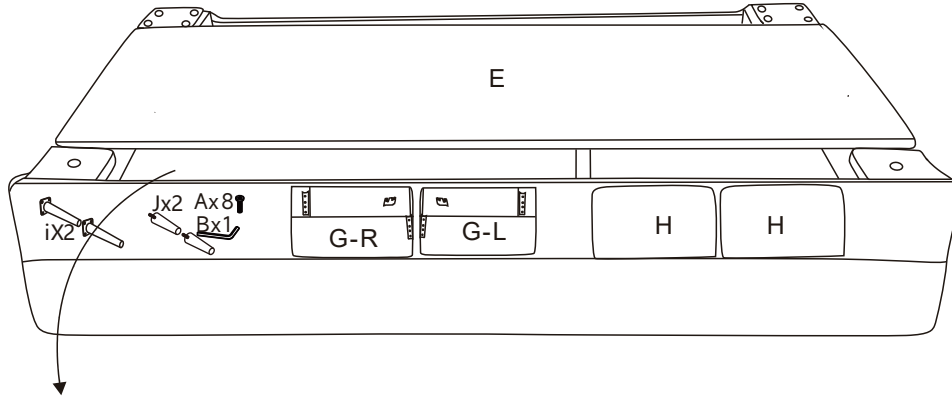


Bolt X8

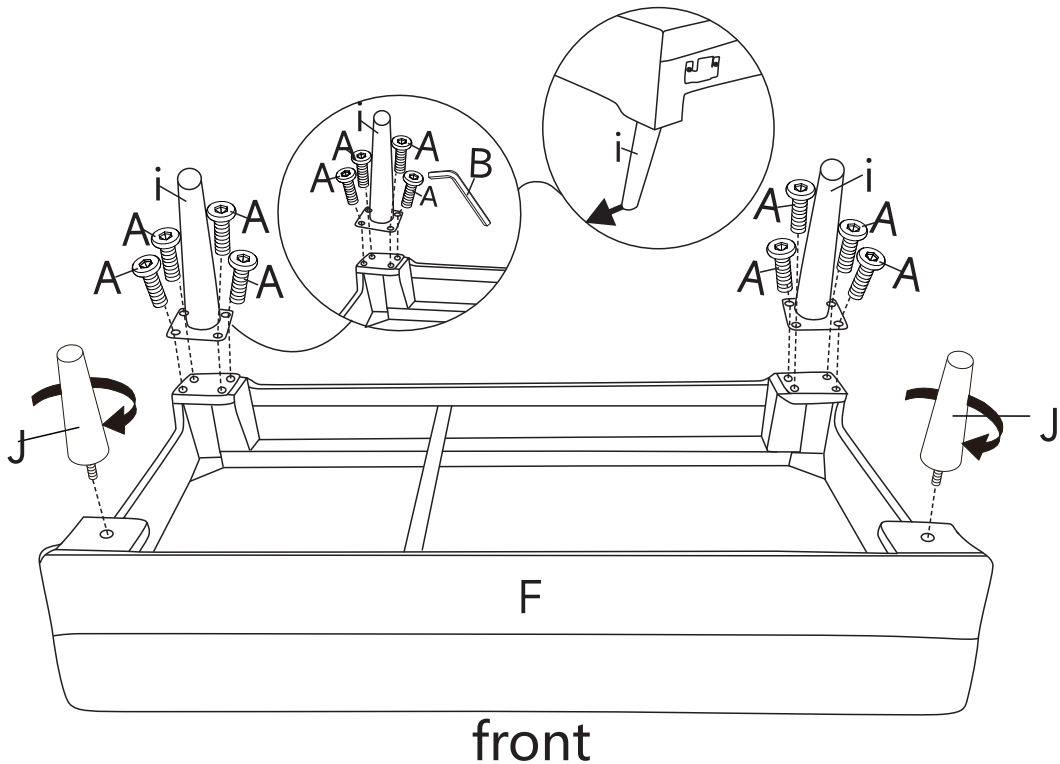






Allen key X1

STEP 1: Tighten 2 pieces of Front Legs (J) to the front bottom of the Sofa Seat (F1) clockwise as shown by hand. Attach 2 pieces of Back Legs (i) to the back bottom of the Sofa Seat (F) by using 8 pieces of Bolts (A) as shown with Figure and Use Allen Key (B) to tighten all Bolts (A).

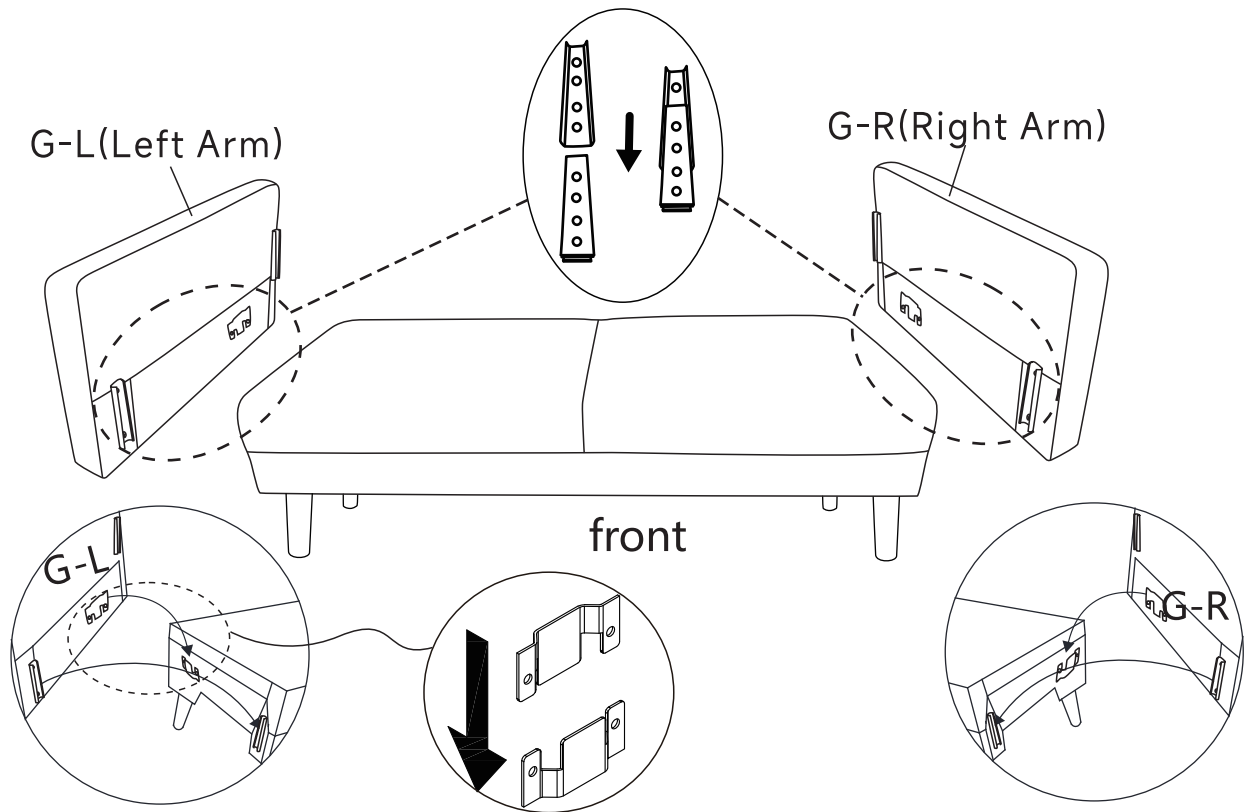


Taken. G-L (Left arm) x1, G-R (Right arm) x1  
 H (back cushions) x2, i (Back leg) x2,  
 J (Front leg) x2, A (Bolt) x8, B (Allen key) x1  
 E1 (Sofa Back) x1

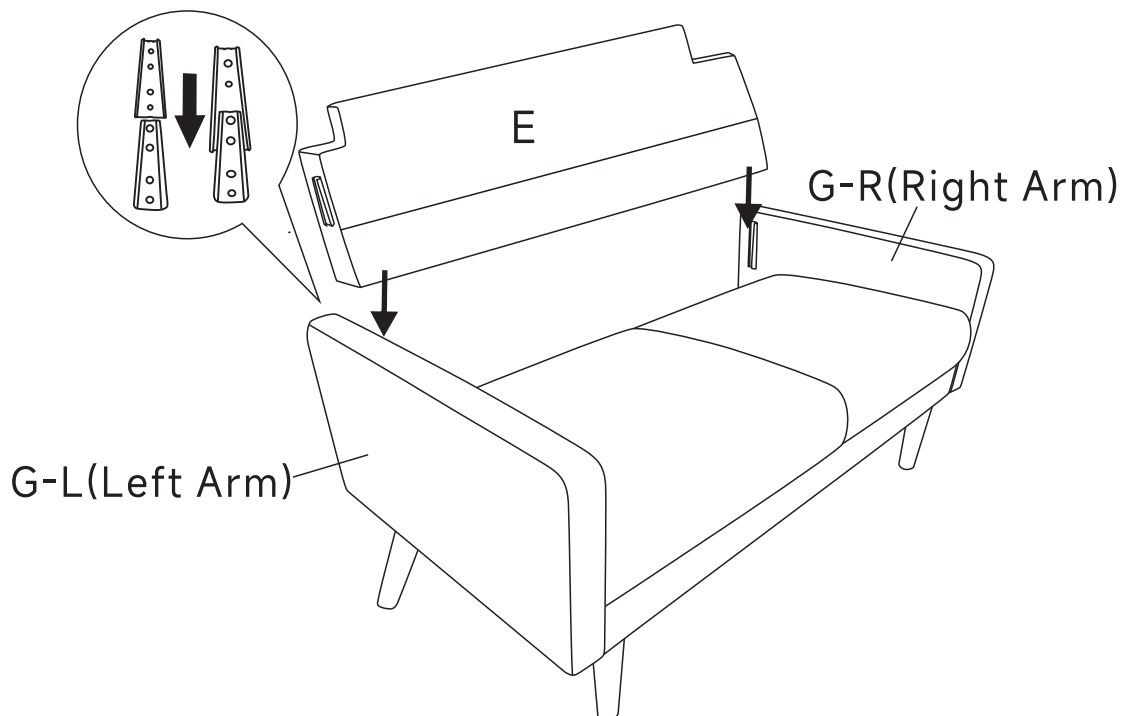


|  |     |
|--|-----|
|  | Ax8 |
|  | Bx1 |
|  | ix2 |
|  | Jx2 |

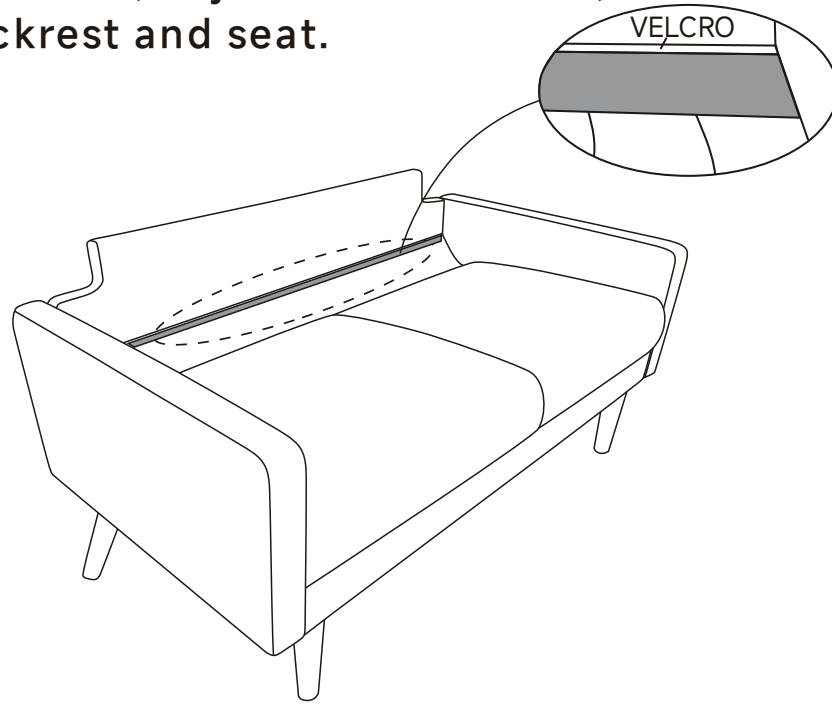
STEP 2: Insert Left Arm (G-L) and Right Arm (G-R) to Sofa Seat (F) by using the pre-installed Clips on Sofa Seat (F), Left Arm (G-L) and Right Arm (G-R) to lock each other as shown.



STEP 3: Insert Sofa Back (E) to Left Arm (G-L) and Right Arm (G-R) by using the pre-installed Clips on Left Arm (G-L), Right Arm (G-R) and Sofa Back (E) to lock each other as shown.



**STEP 4:** Lift up the sofa, adjust it to the front, then stick the Velcro tightly to the backrest and seat.



**STEP 5:** Carefully put 2 pieces of Back Cushions (H) to the assembled Sofa Seat (F) as shown.

