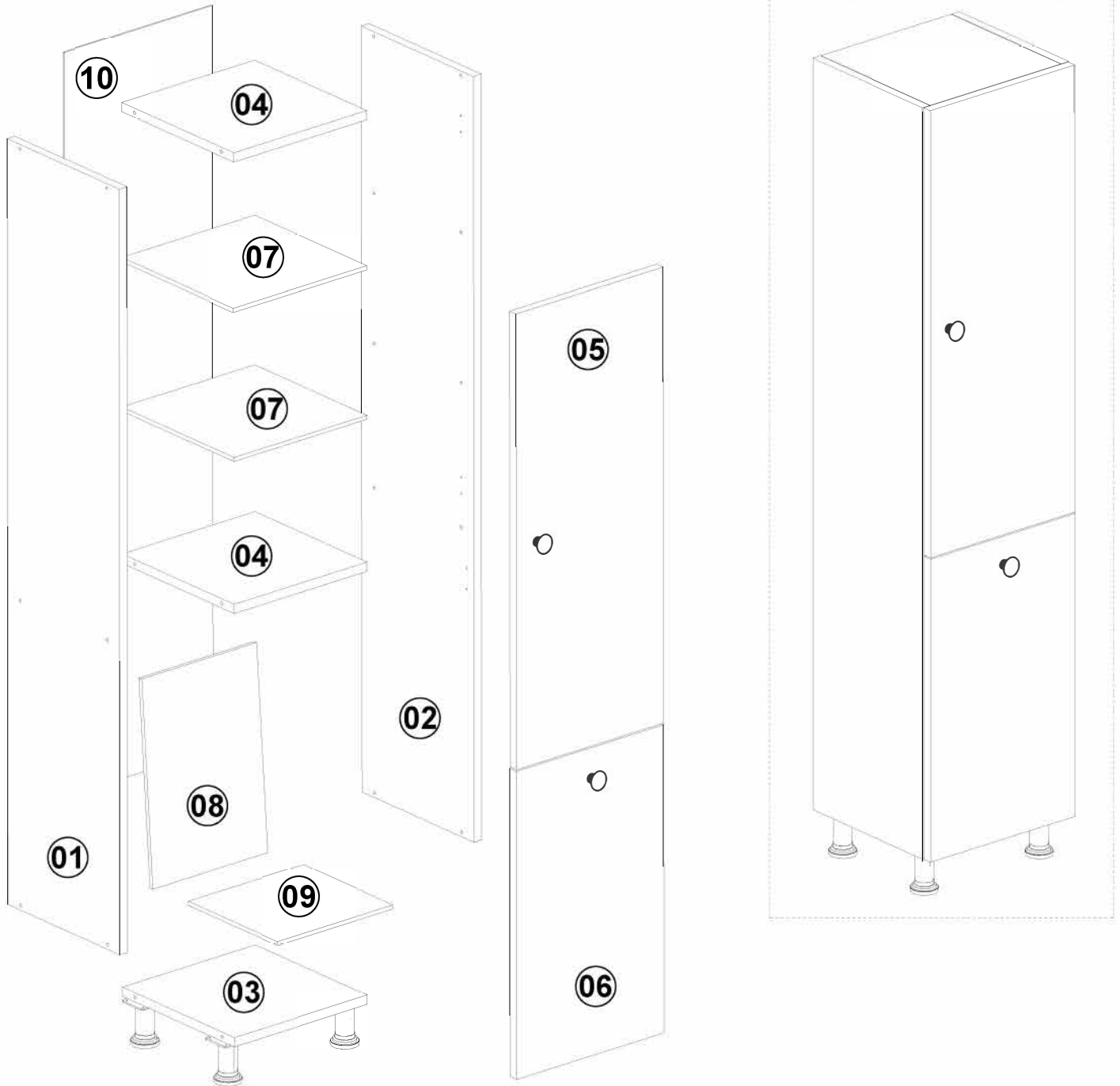


INSTALLATION INSTRUCTIONS

Laundry Room
Wardrobe

S1



ACCESSORY LIST

	White										
A09	A05	A12	A13	A10	A28	A35	A14	A40	A33	A61	
Screw 4x50 12 x	Yap.Tapa 12 x	Mentes Plain 4 x	Hinge Base 4 x	Screw 3.5x18 50 x	Nail 20 x	Handle 2 x	Handle Screw 4 x	Shell Pin 8 x	Table leg 4 x	Laundry Basket 1 x	

NO	H-mm	W	D	Pcs
01	1490	314	18	1
02	1490	314	18	1
03	314	314	18	1
04	314	314	18	2
05	895	347	18	1
06	600	347	18	1
07	314	314	8	2
08	400	270	8	1
09	270	260	8	1
10	1488	348	3	1

Dear Customer,

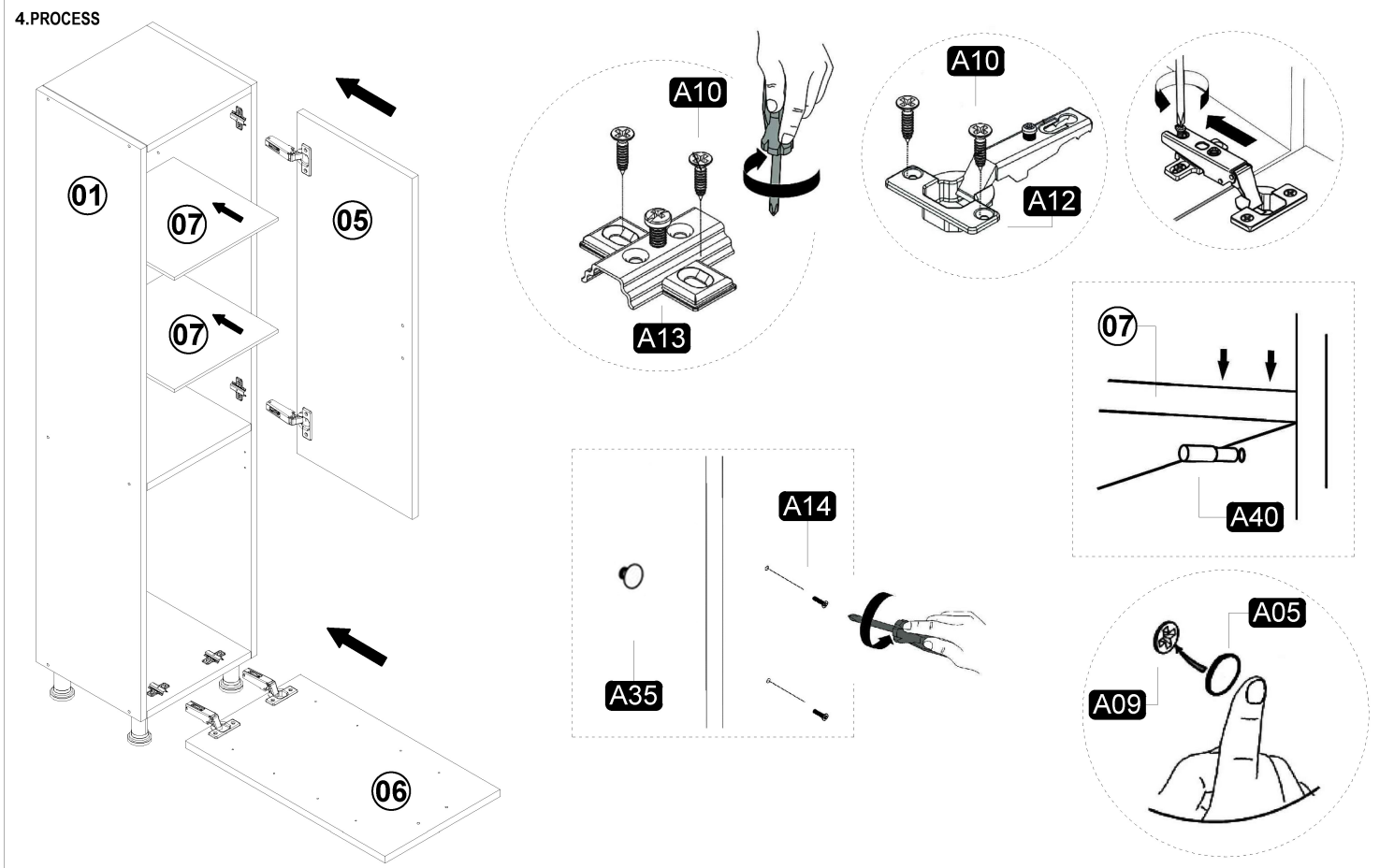
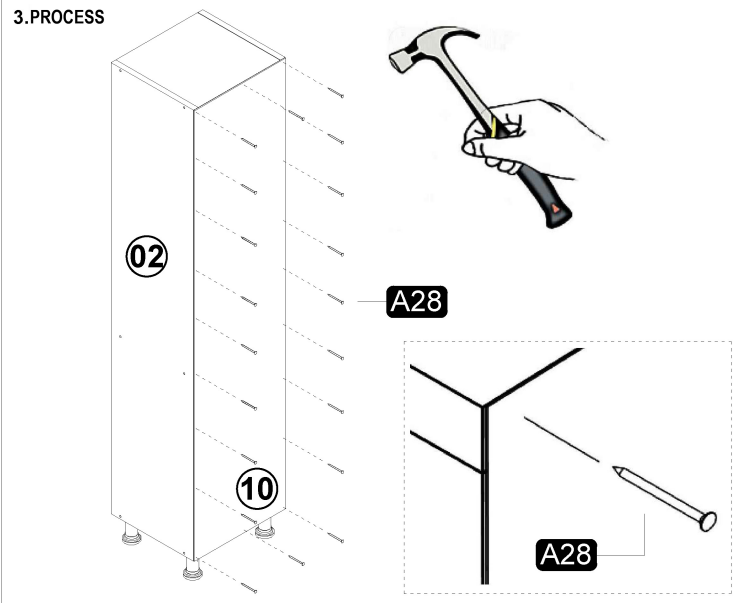
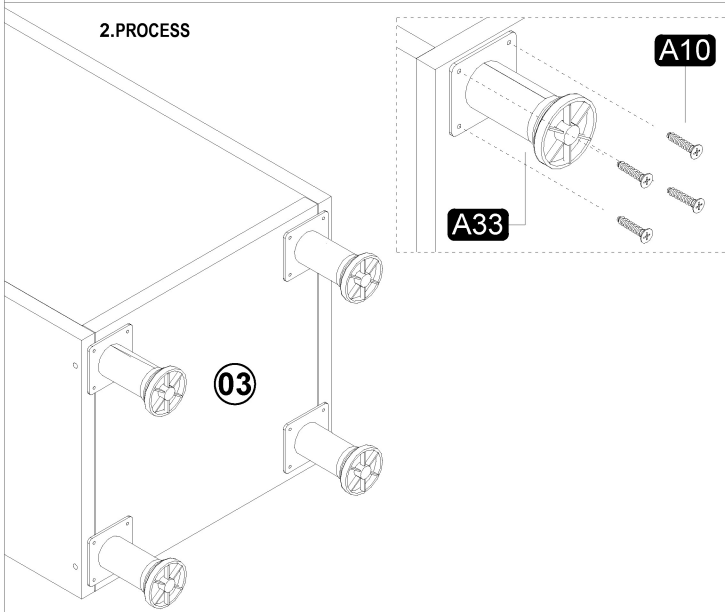
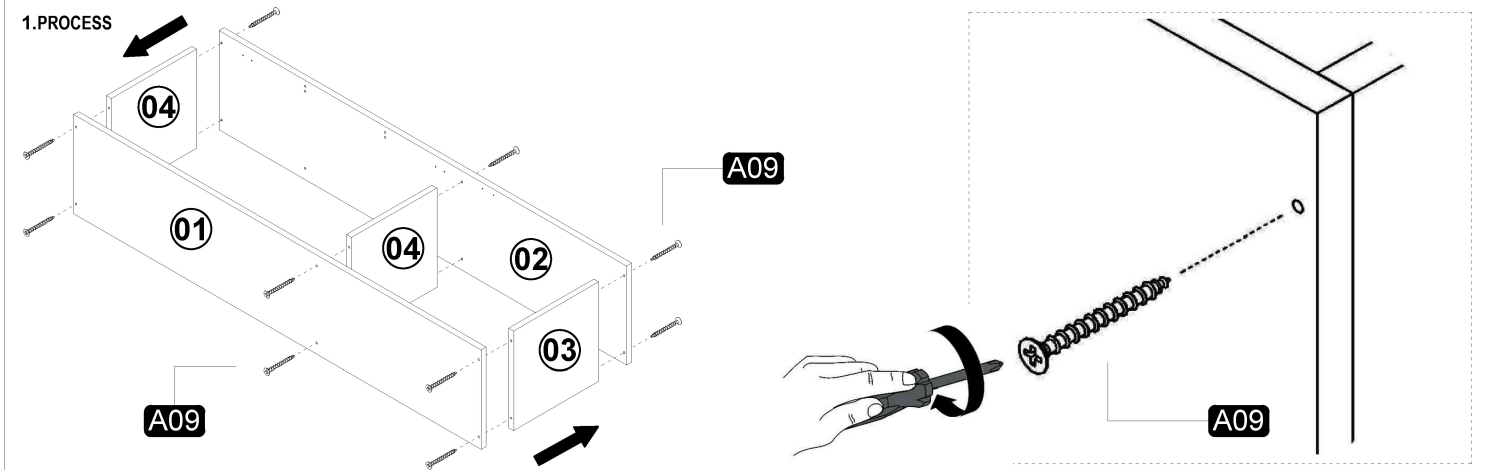
This product has undergone all necessary checks and tests by us before being delivered to you. Even so, some parts may be damaged during shipping. If this happens, please do not return the entire product. Only request the damaged part. When requesting the necessary part, please identify it precisely by referring to the service card. The missing part will be sent to you as quickly as possible.

Before starting assembly, check all parts and accessories that come out of the boxes against the lists. After confirming that the parts and accessories are complete and in good condition, begin assembly. Before starting assembly, clean each part with a damp cloth.

If you have purchased more than one product, assemble one product at a time to avoid confusion. Never drag the products. Lift and disassemble the product and carry it with at least two people. For long-distance transport, always carry the product in its packaging.

Cleaning the surfaces of your furniture is very easy. Wiping them with a damp, soapy cloth or other household cleaners is sufficient. Since furniture is affected by extreme heat, cold, and humidity, do not expose your furniture to these factors directly. Do not use

INSTALLATION PHASE



5.PROCESS

