
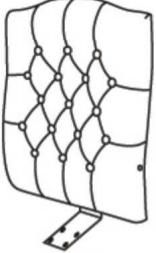
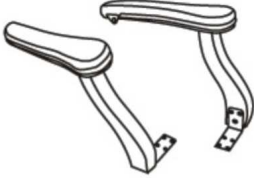
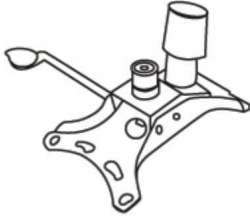
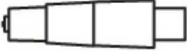




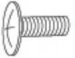

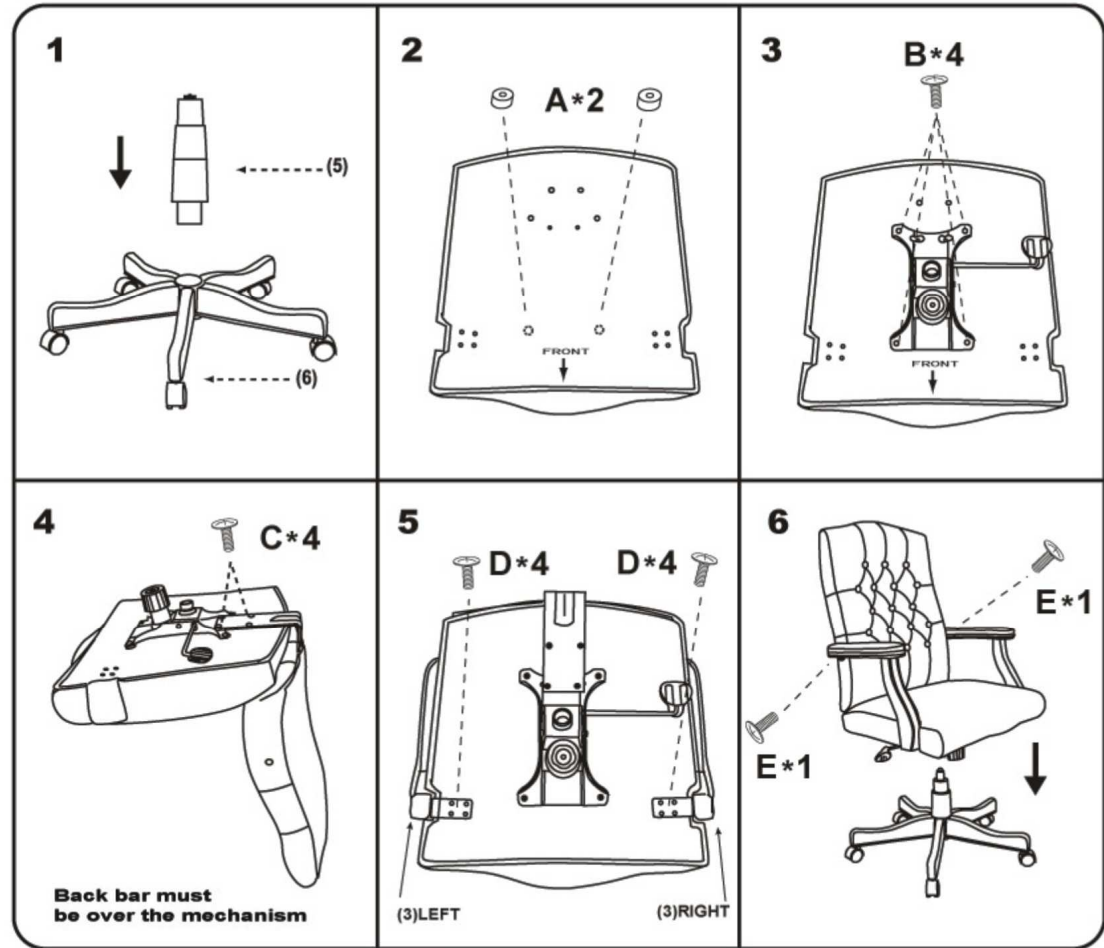


Important notice:

Hardware package is attached on the bottom of seat cushion.

Por favor de destornillar todos los tornillos del cojin antes de assamblar la silla.

(1)X1	(2)X1	(3)X1 (L)X1 (R)
		
Seat	Back	Left & Right Arm
(4)X1	(5)X1	(6)X1
		
Mechanism	100mm Gas Lift	Wood Base w/ Casters
(A)x2		GASKET
(B)x4		M8*30 MECHANISM SCREW
(C)x4		M6*30 BACK BAR SCREWS
(D)x8		M6*25 ARM SCREWS
(E)x2		M8*36 ARM SCREWS



Insert and loosely tighten all screws. When assembly is completed, fully tighten all screws before using. This chair is only intended for sitting. Any other use will void the warranty.

