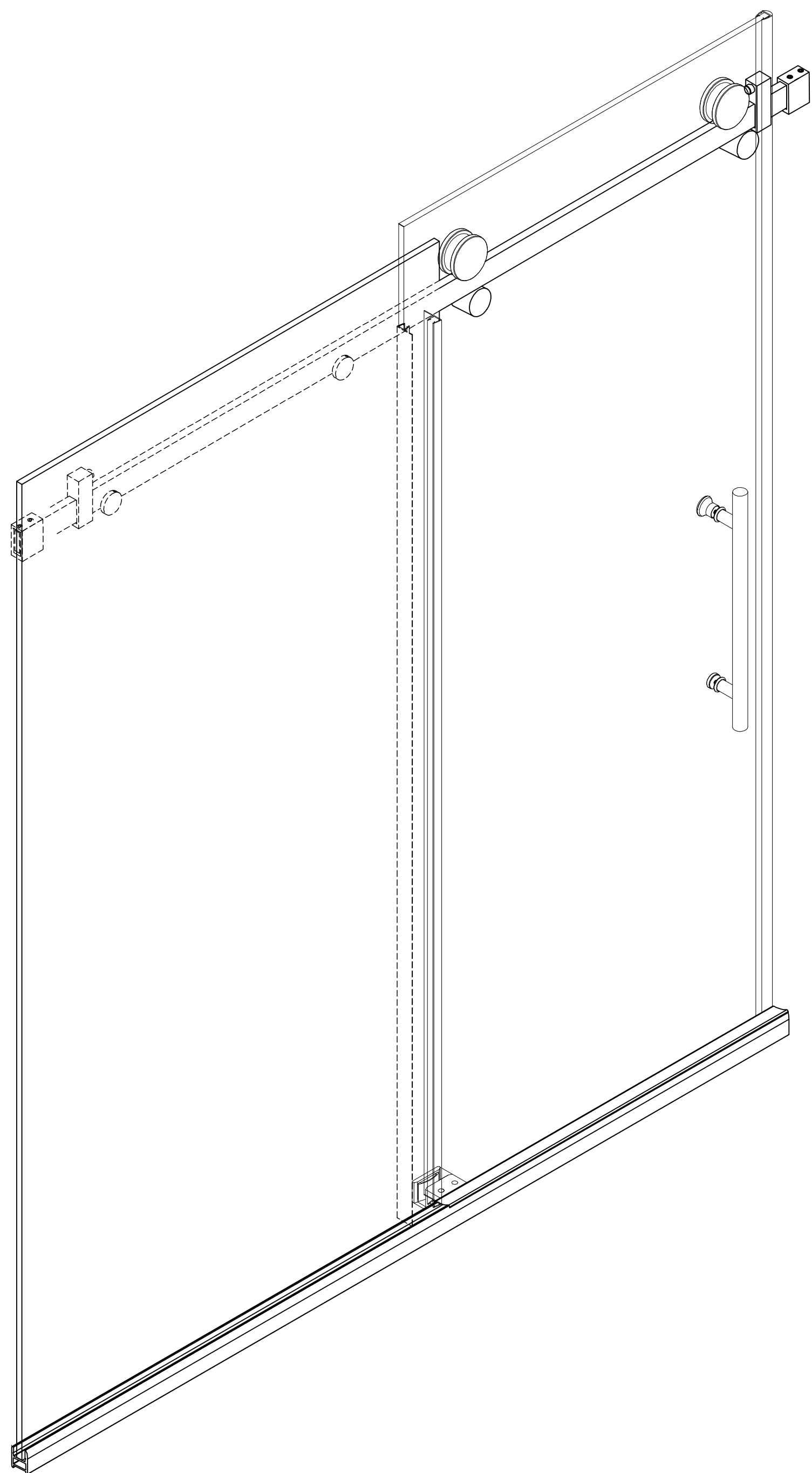


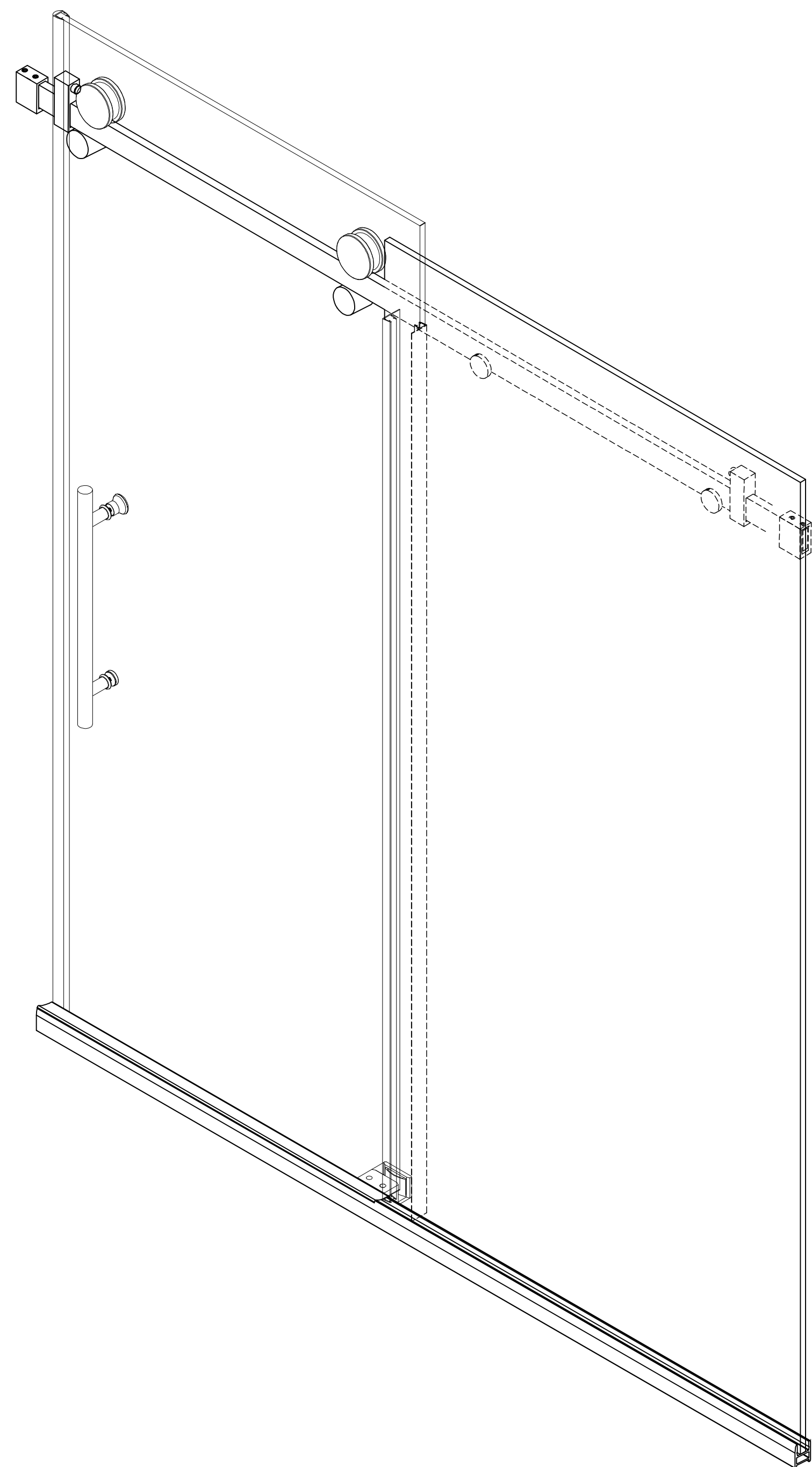
FELYL

shower door

SAO2 Shower Door Instruction Guide



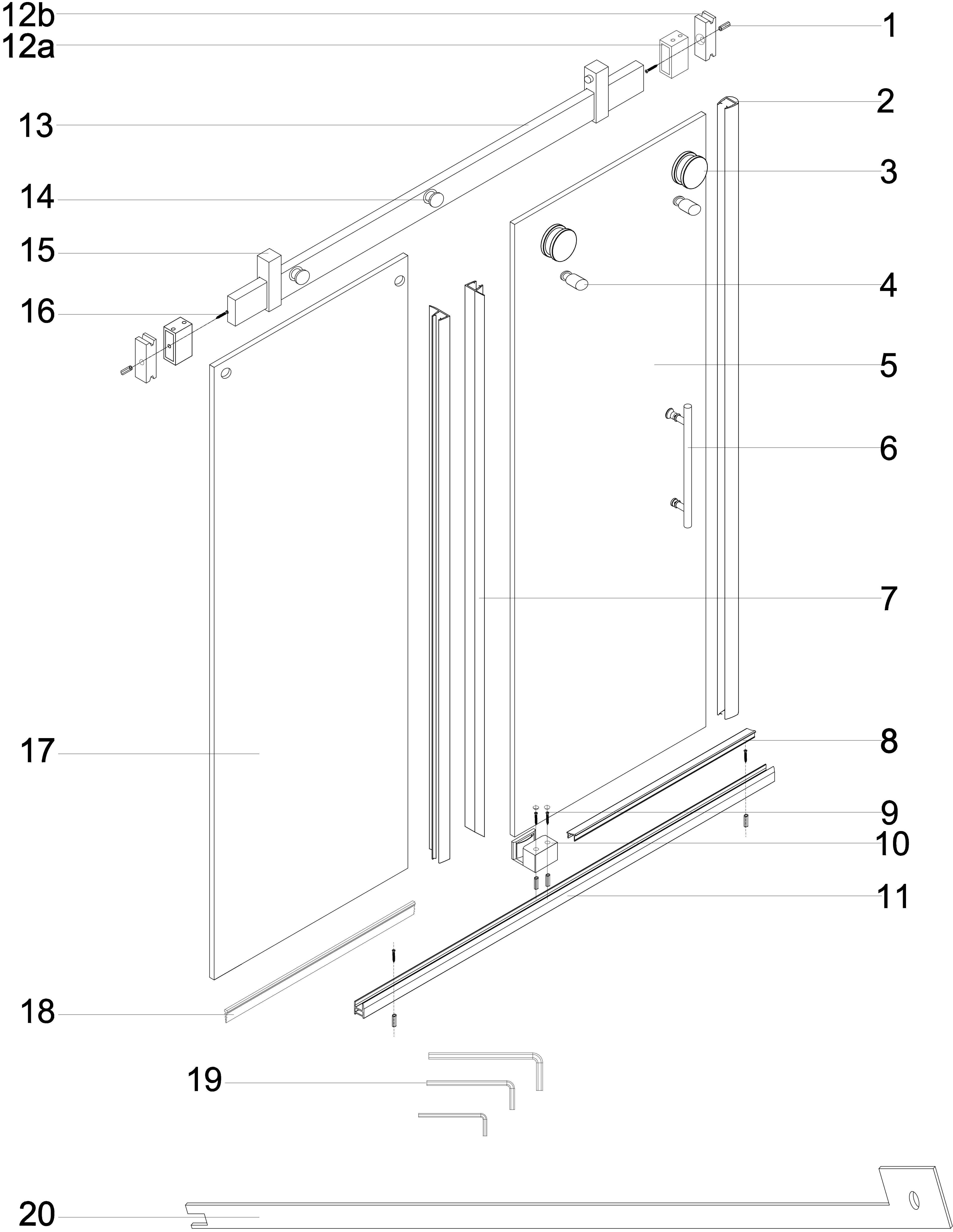
Left Hand Install



Right Hand Install

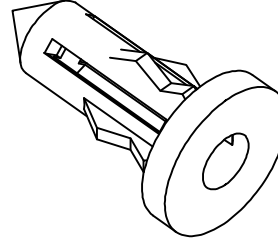
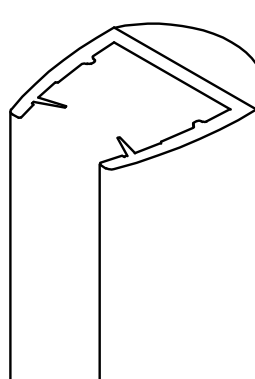
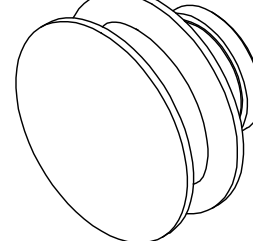
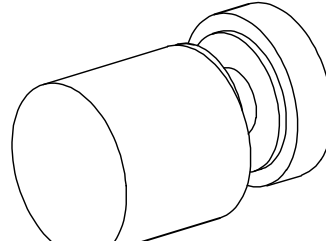
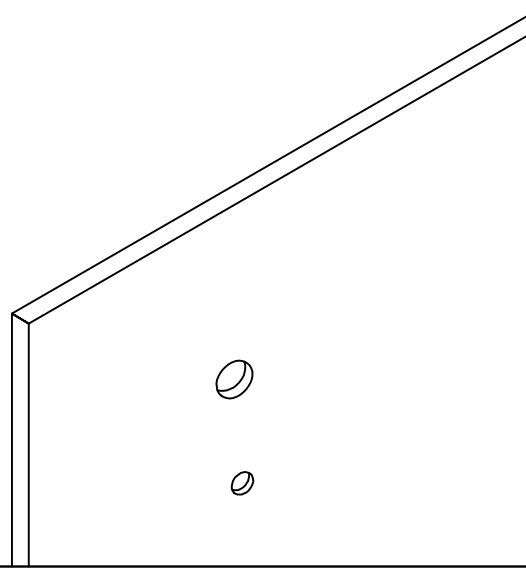
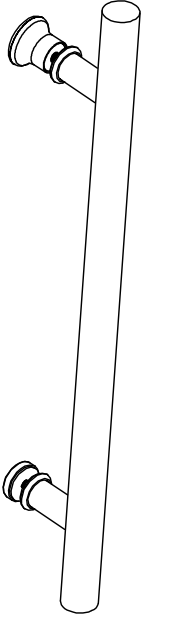
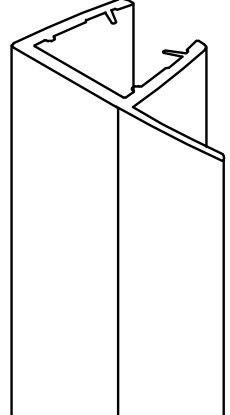
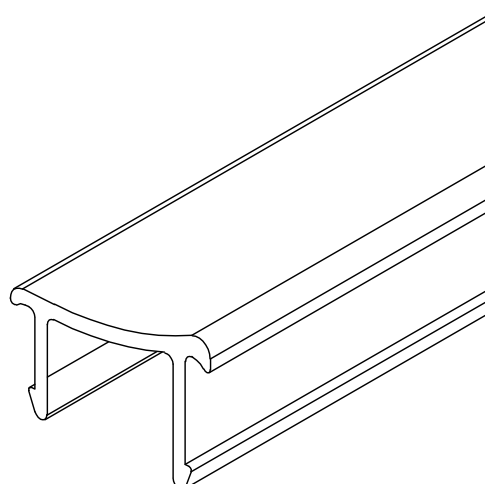
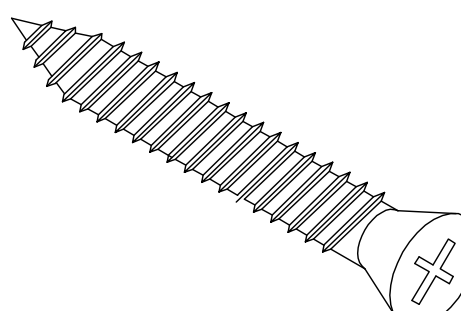
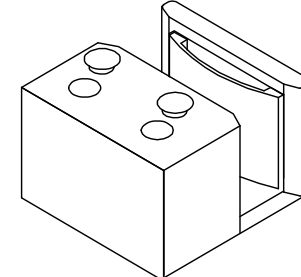
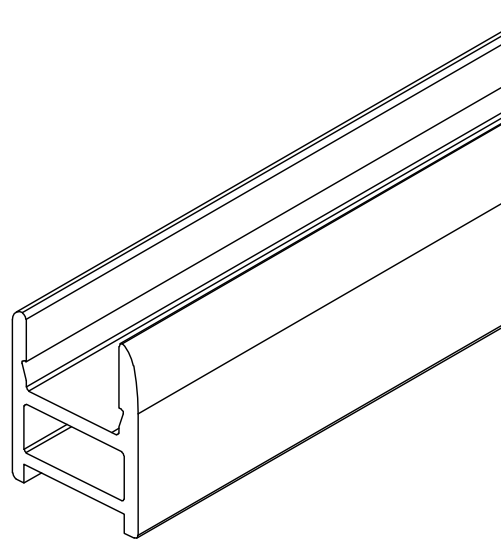
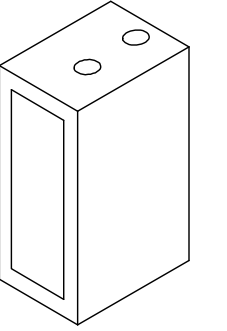
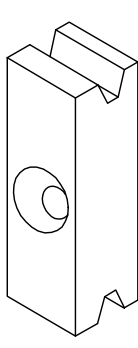
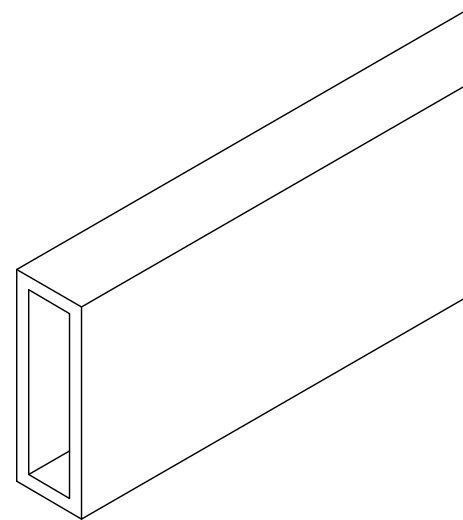
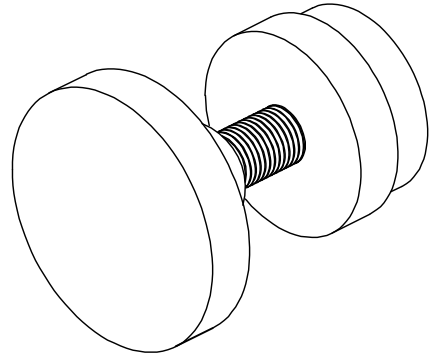
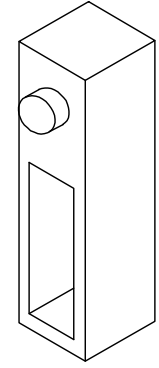
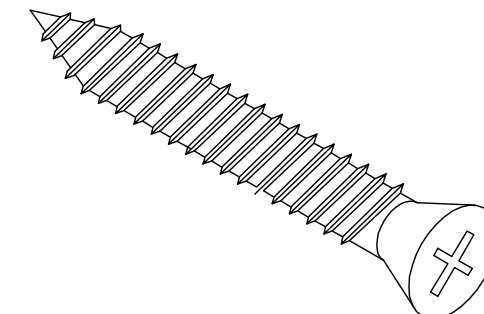
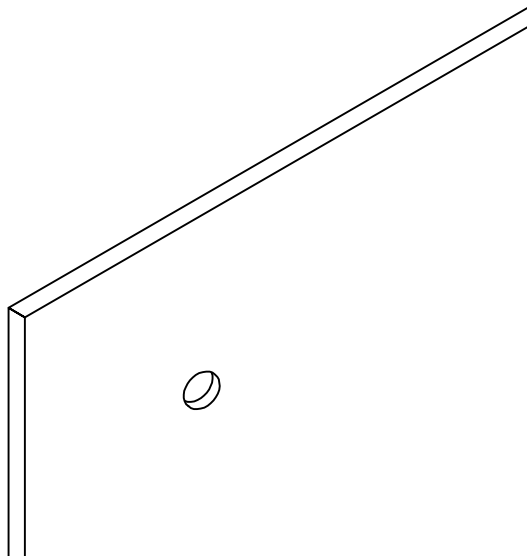
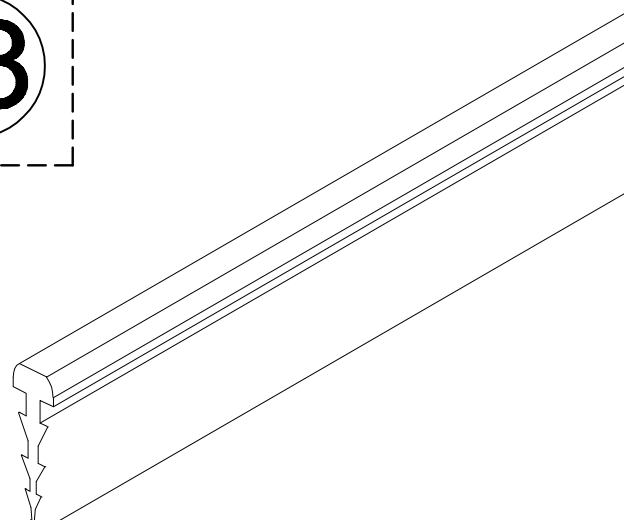
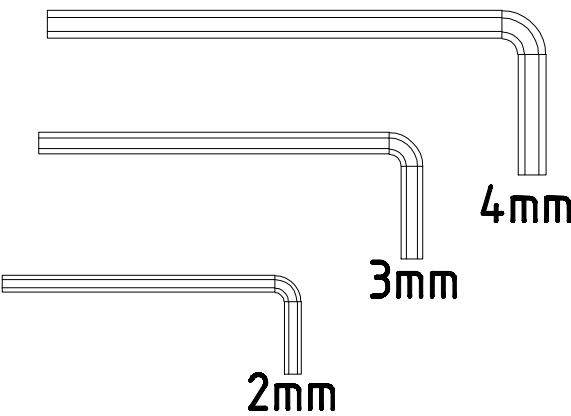
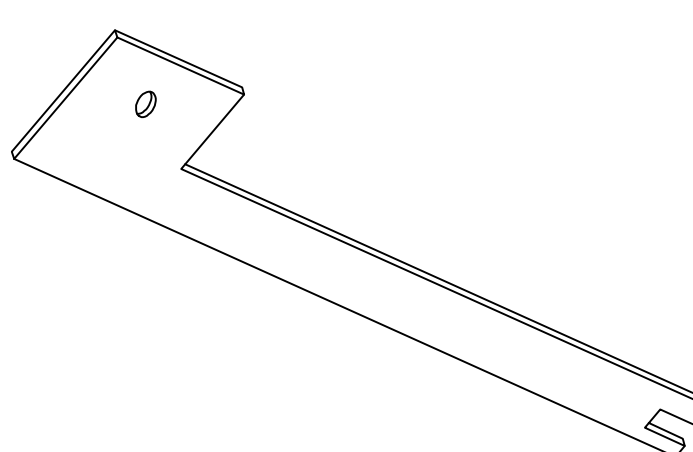
Customer Support: 1-877-897-1222
After-sale service: felyl@outlook.com
Hours of Operation: M-F 9 AM-5:00PM

Detailed Diagram

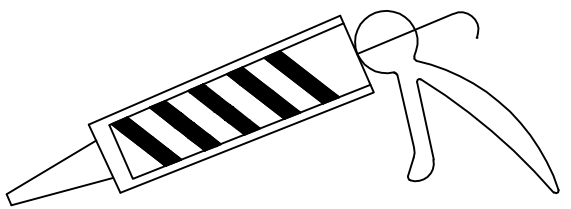
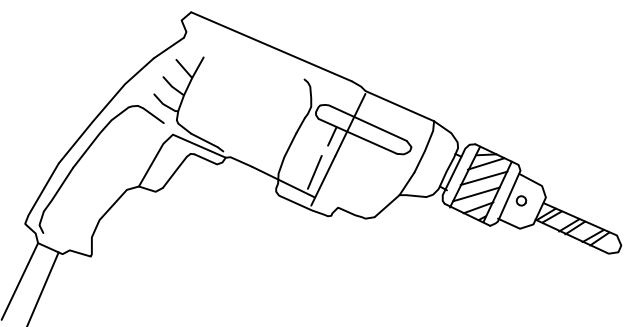
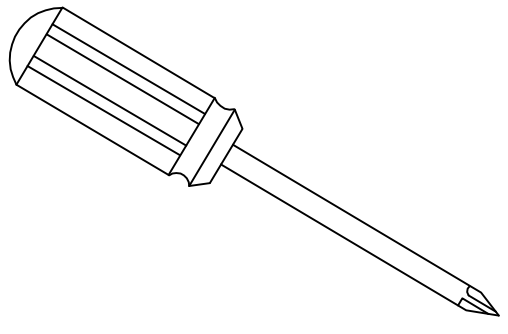
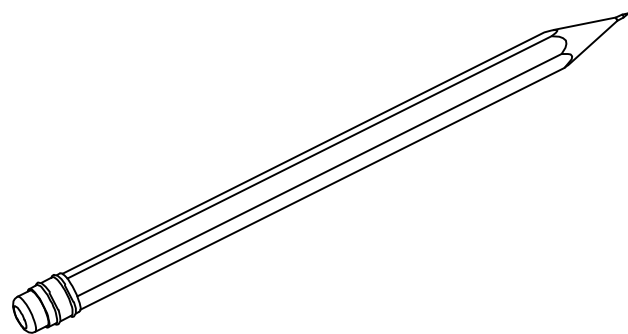
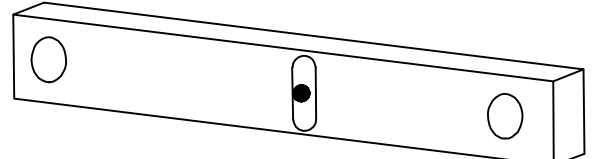
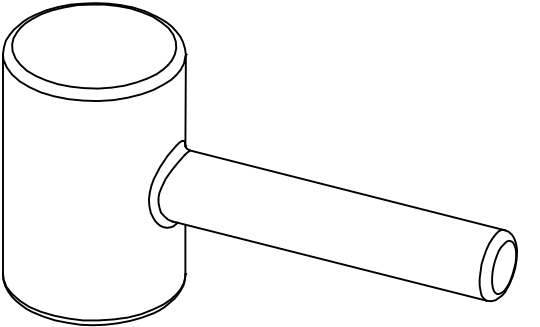
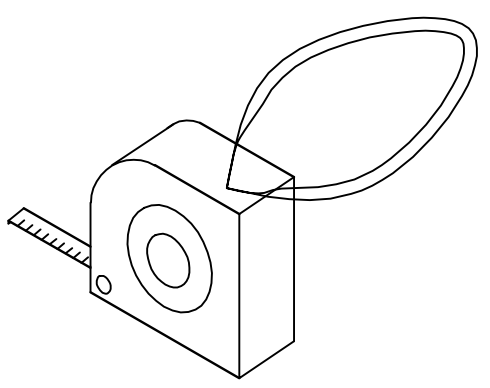
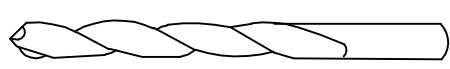
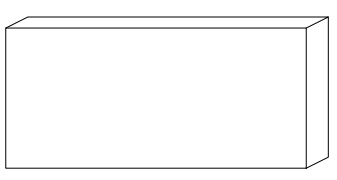
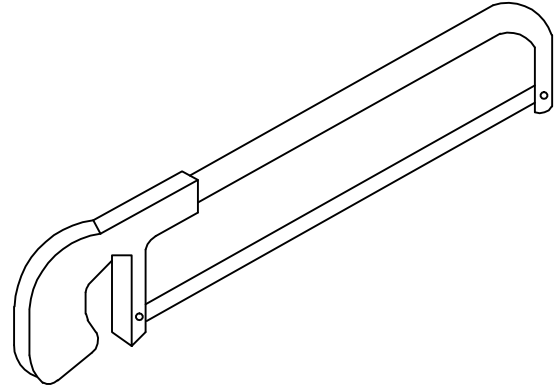




PART LIST

Check all parts according to the list before assembly . Feel free to contact with us if you need assistance .

					
Wall Anchor6*1*(6 pcs)	Bumper Strip(1 pc)	Roller(2 pcs)	Anti-Jumper(2 pcs)	Roller Door(1 pc)	Handle(1 pc)
					
Water-Retaining Gasket(2 pcs)	Threshold(1 pc)	Self-Tapping Screws (4*20) (4 pcs)	Door Guide (1 pc)	Door Bottom Guide (1 pc)	Rail Wall Bracket (2 pcs)
					
Rail Wall Connector (2 pcs)	Top Rail(1 pc)	Fixed Panel Fastener (2 pcs)	Door Bumper (2 pcs)	Self-Tapping Screws (4*30) (2 pcs)	Fixed Panel(1 pc)
					
One-sided strip(1 pc)	Allen Wrenches(3 pcs)	Template			

Recommended Tools

					
Silicone	Drill	Philips Screw Driver	Pencil	Level	Rubber Mallet
					
Tape Measure	Ø1/4" Drill Bit	Wooden Jam	Hacksaw	Safety Glass	Safety Gloves

Utilize Safety Glasses and Safety Gloves when constructing this shower door

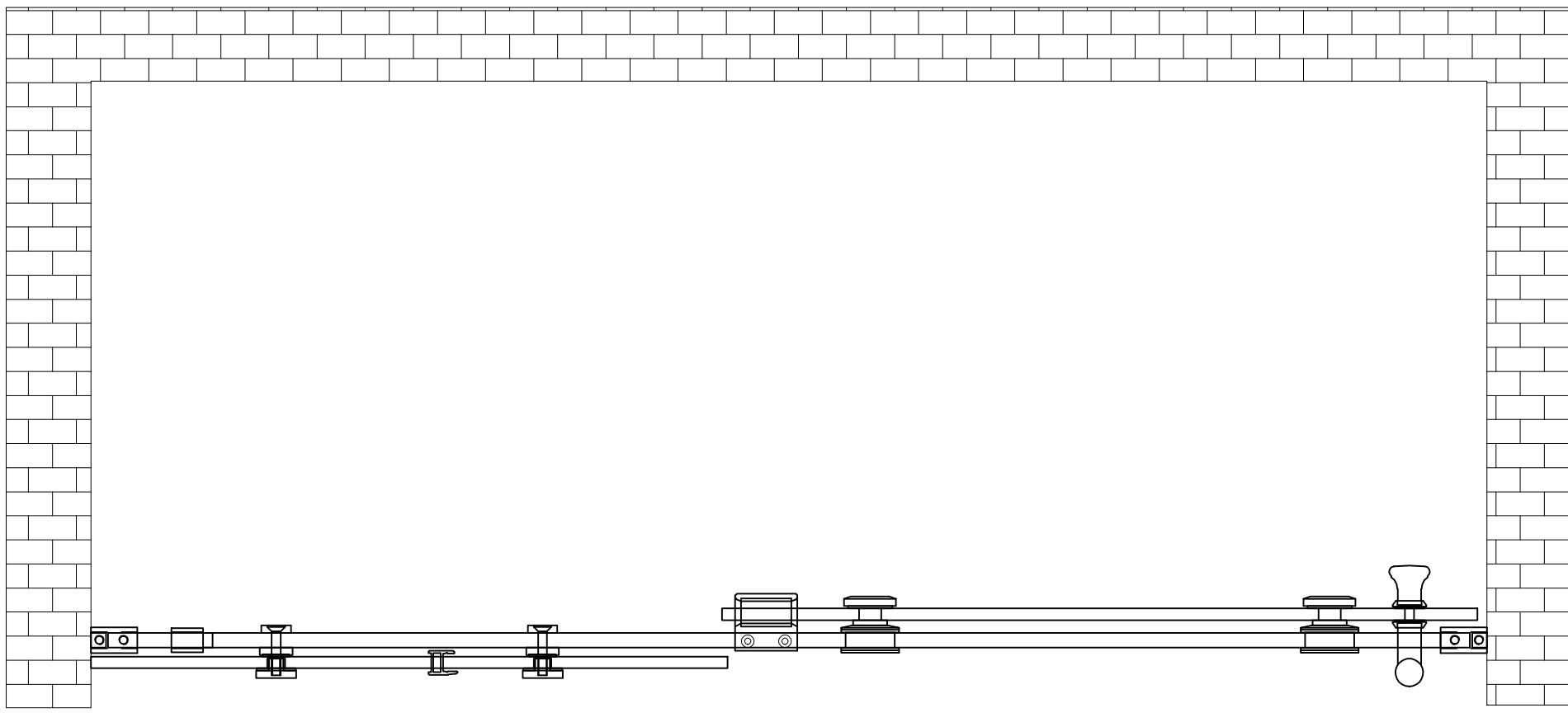
Left Hand Assembly

STEP 1

1. Installation Measurements

*For 48" Shower Door your opening should be between 44-48" between the lines

*For 60" Shower Door your opening should be between 56-60" between the lines



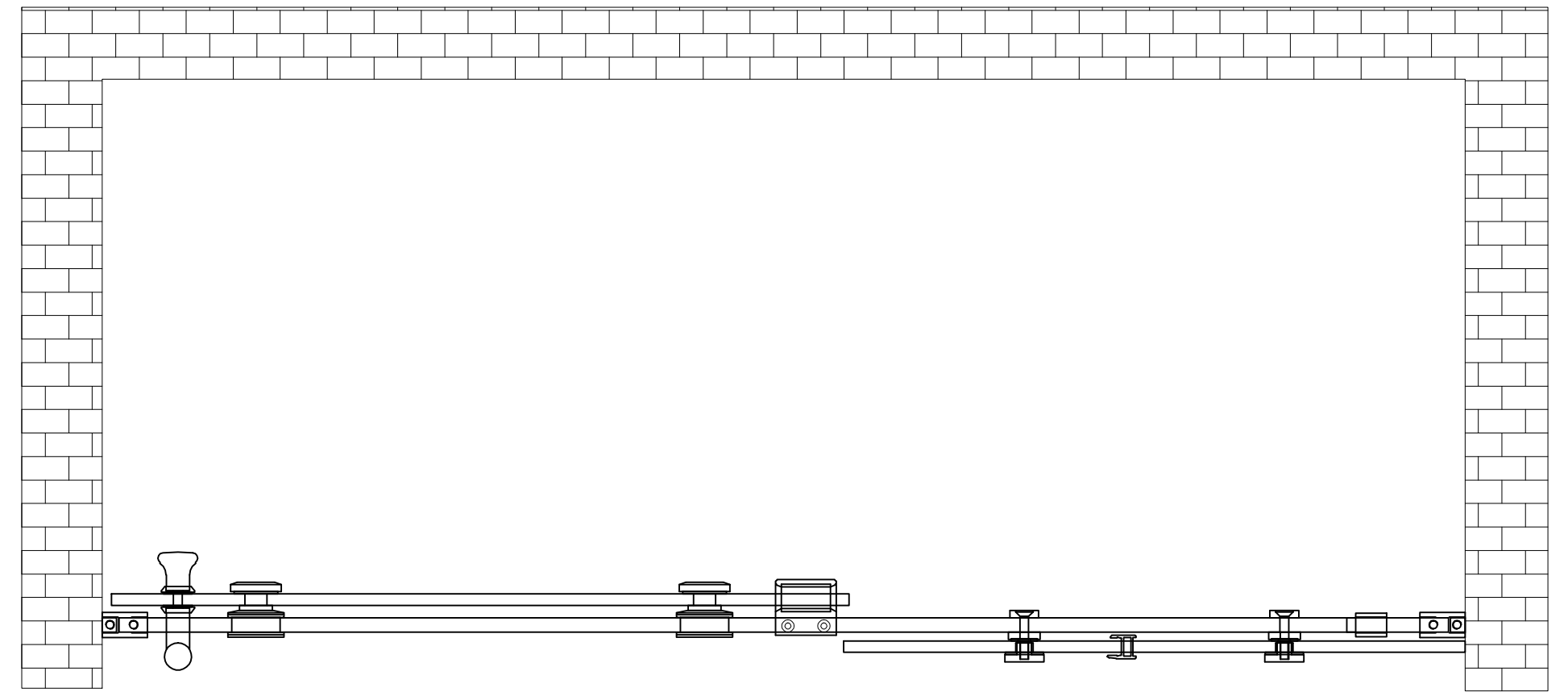
Right Hand Assembly

STEP 1

1. Installation Measurements

*For 48" Shower Door your opening should be between 44-48" between the lines

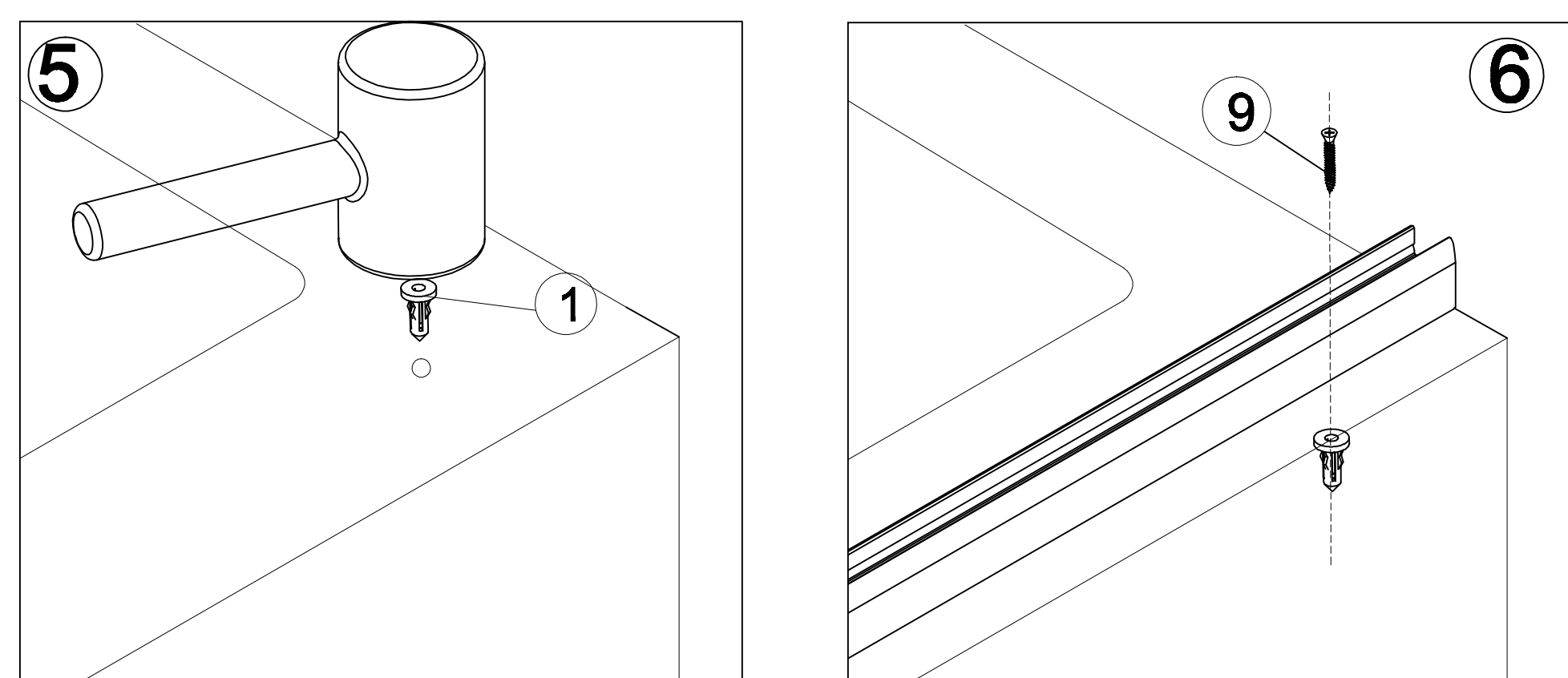
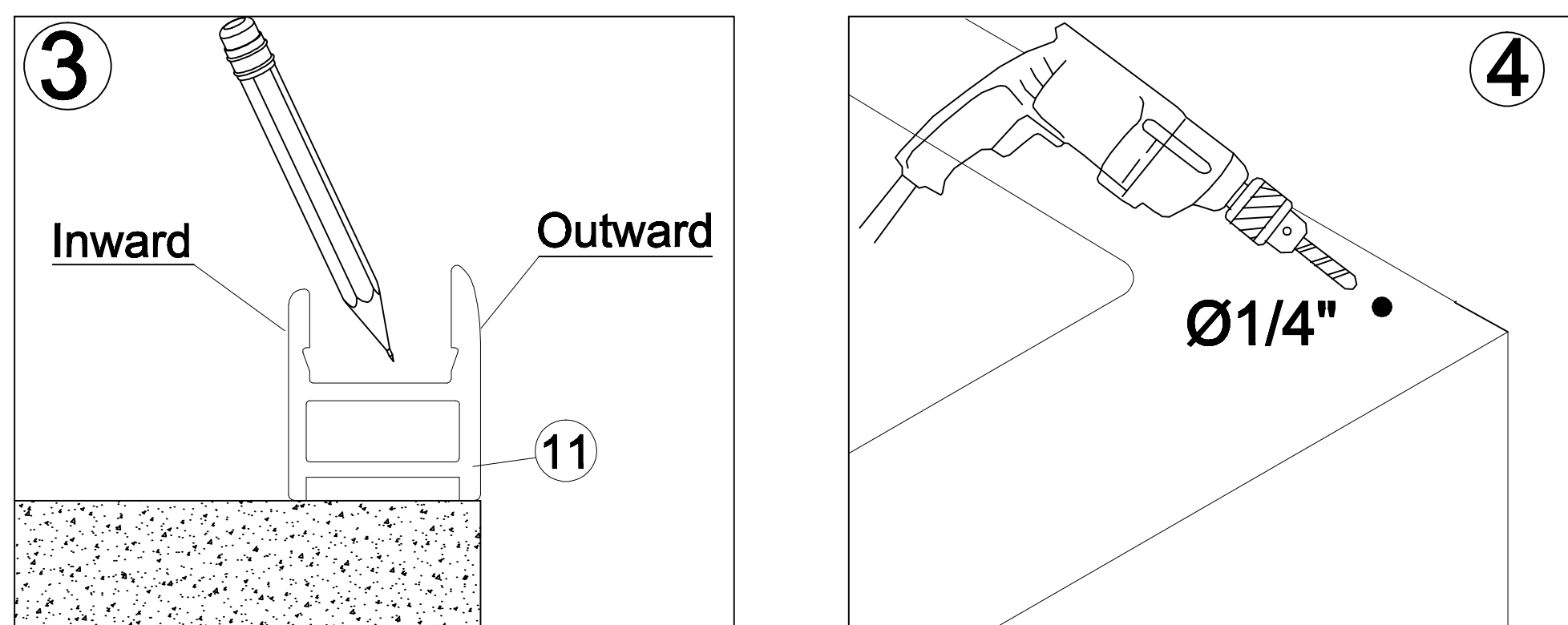
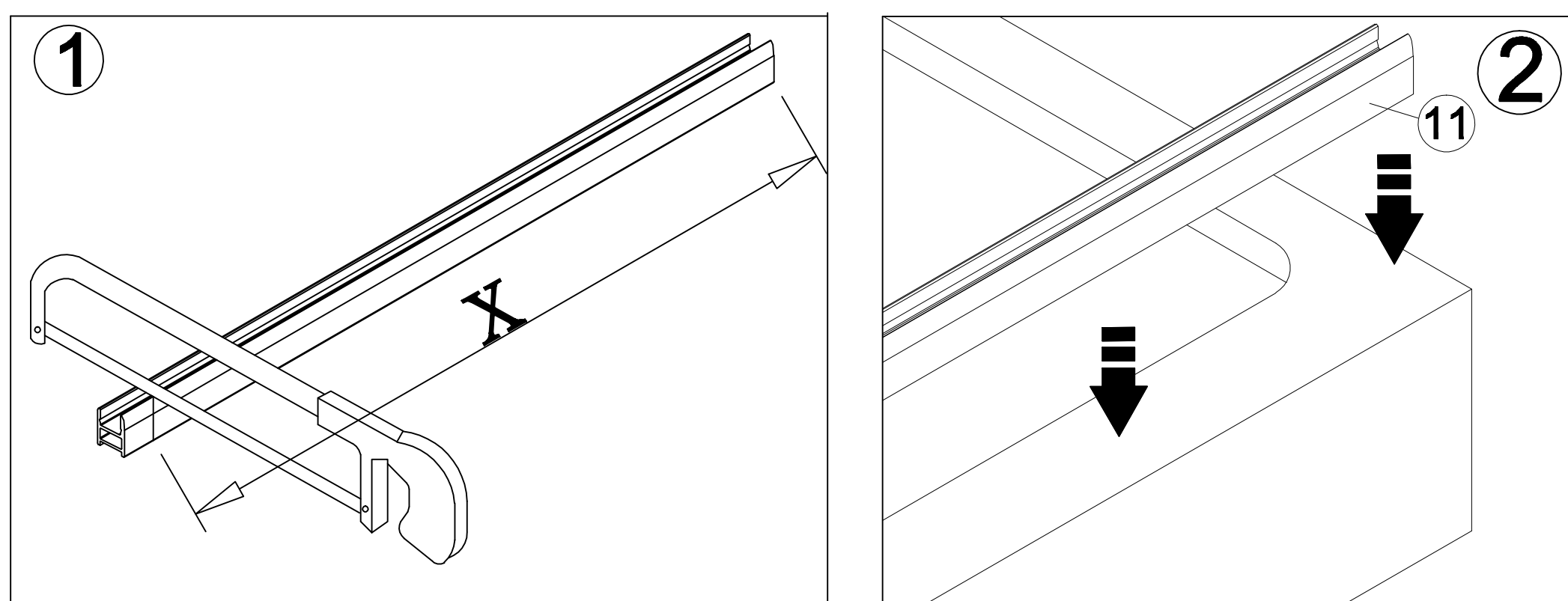
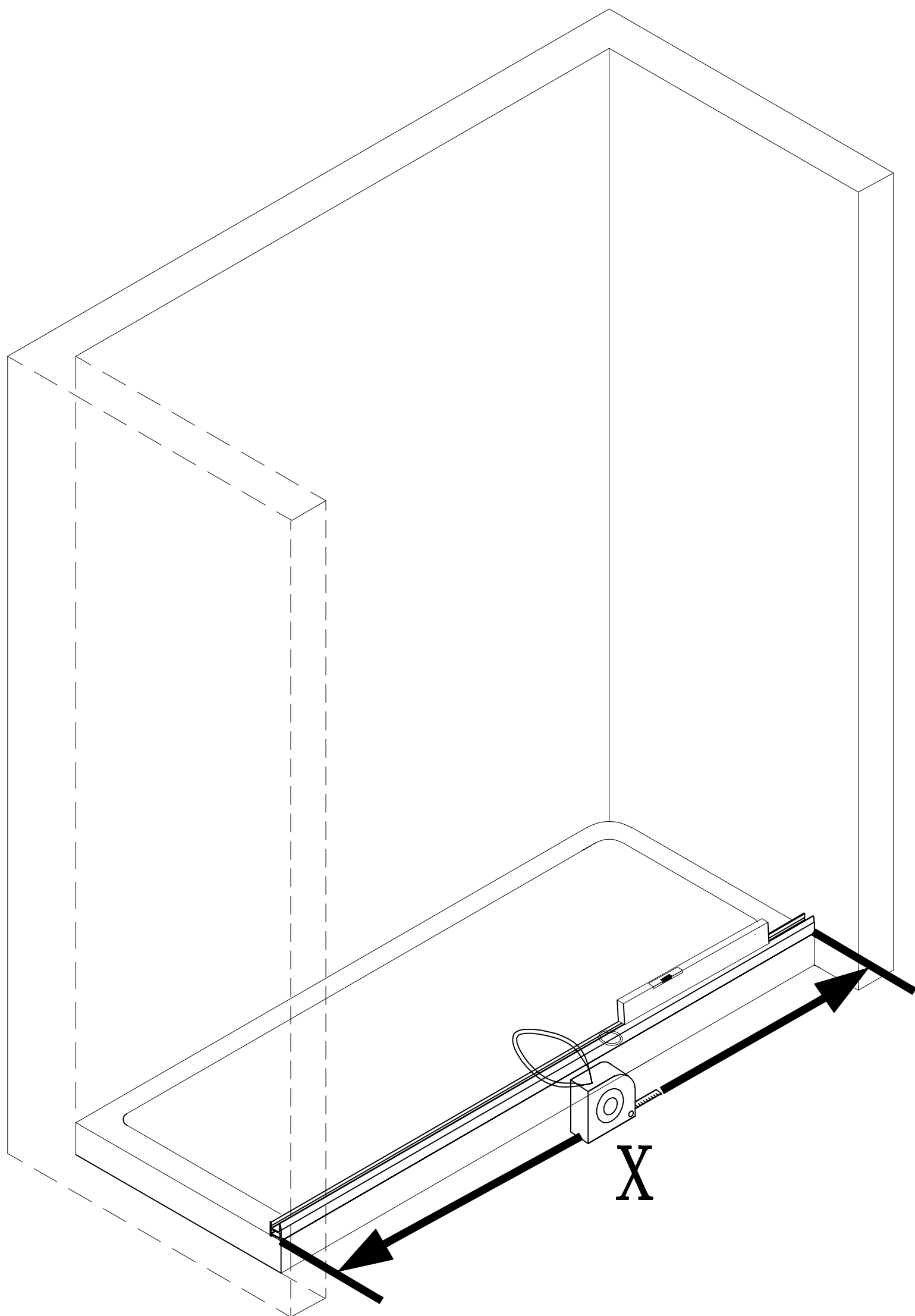
*For 60" Shower Door your opening should be between 56-60" between the lines



Left Hand Assembly

STEP 2

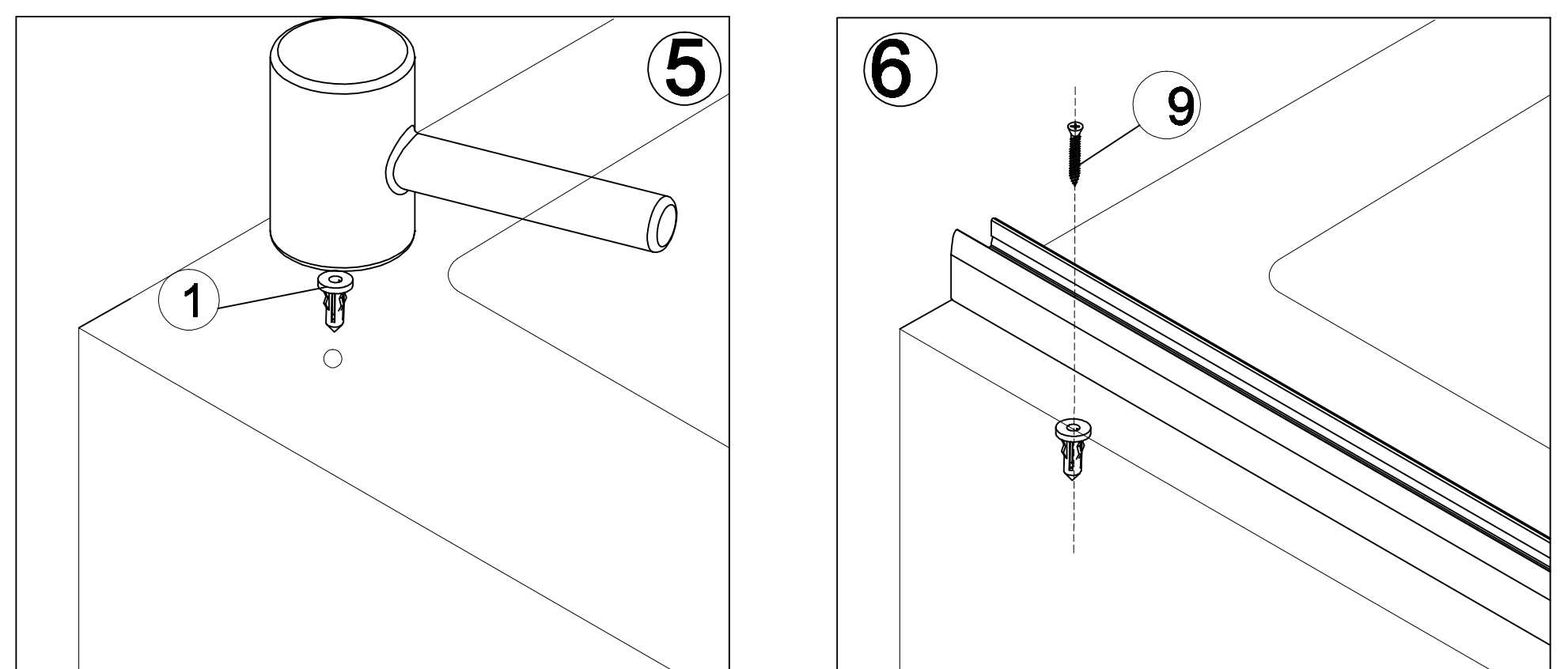
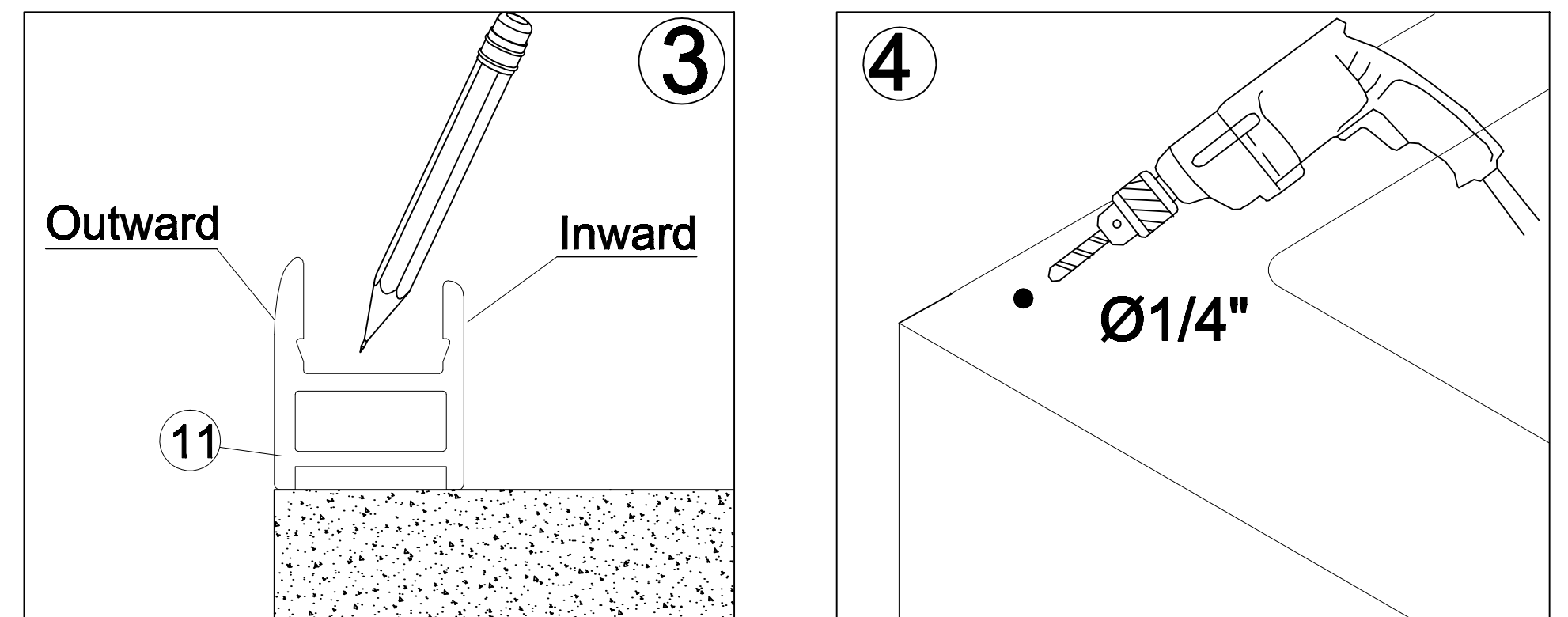
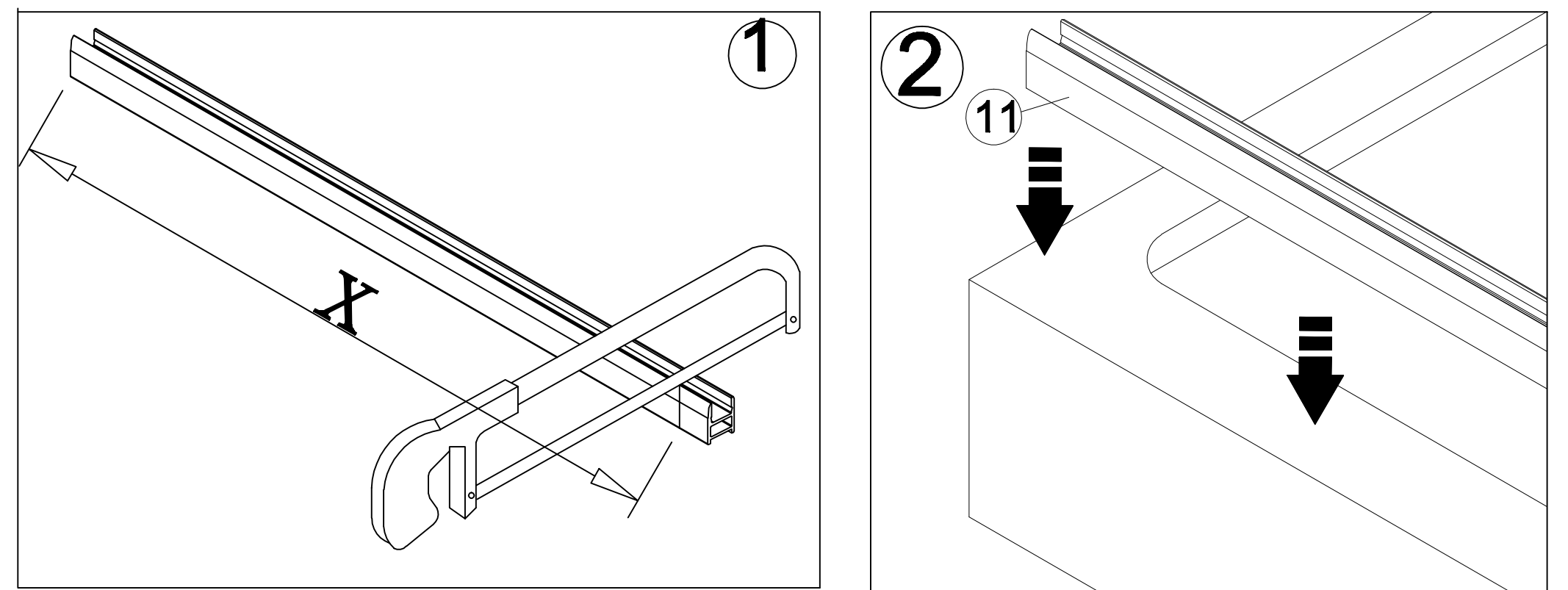
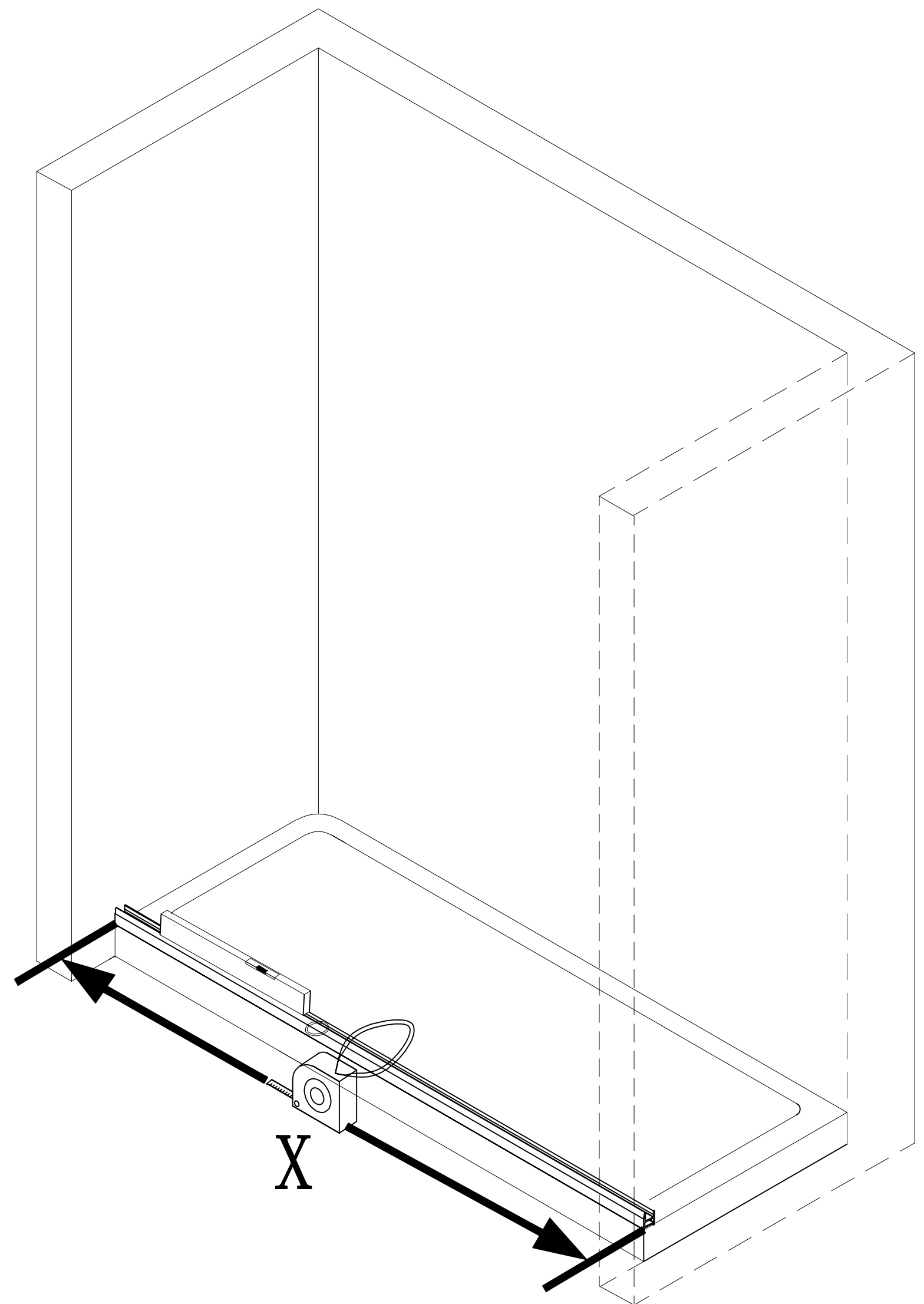
1. Have the higher edge of door bottom guide(11) towards outside, level it with level and mark the hole position with pencil.
2. Take away door bottom guide(11) and drill holes on the markings.
3. Hammer wall anchors(1) into holes.
4. Secure door bottom guide(11) with self-tapping screws 4X20(9).



Right Hand Assembly

STEP 2

1. Have the higher edge of door bottom guide(11) towards outside, level it with level and mark the hole position with pencil.
2. Take away door bottom guide(11) and drill holes on the markings.
3. Hammer wall anchors(1) into holes.
4. Secure door bottom guide(11) with self-tapping screws 4X20(9).

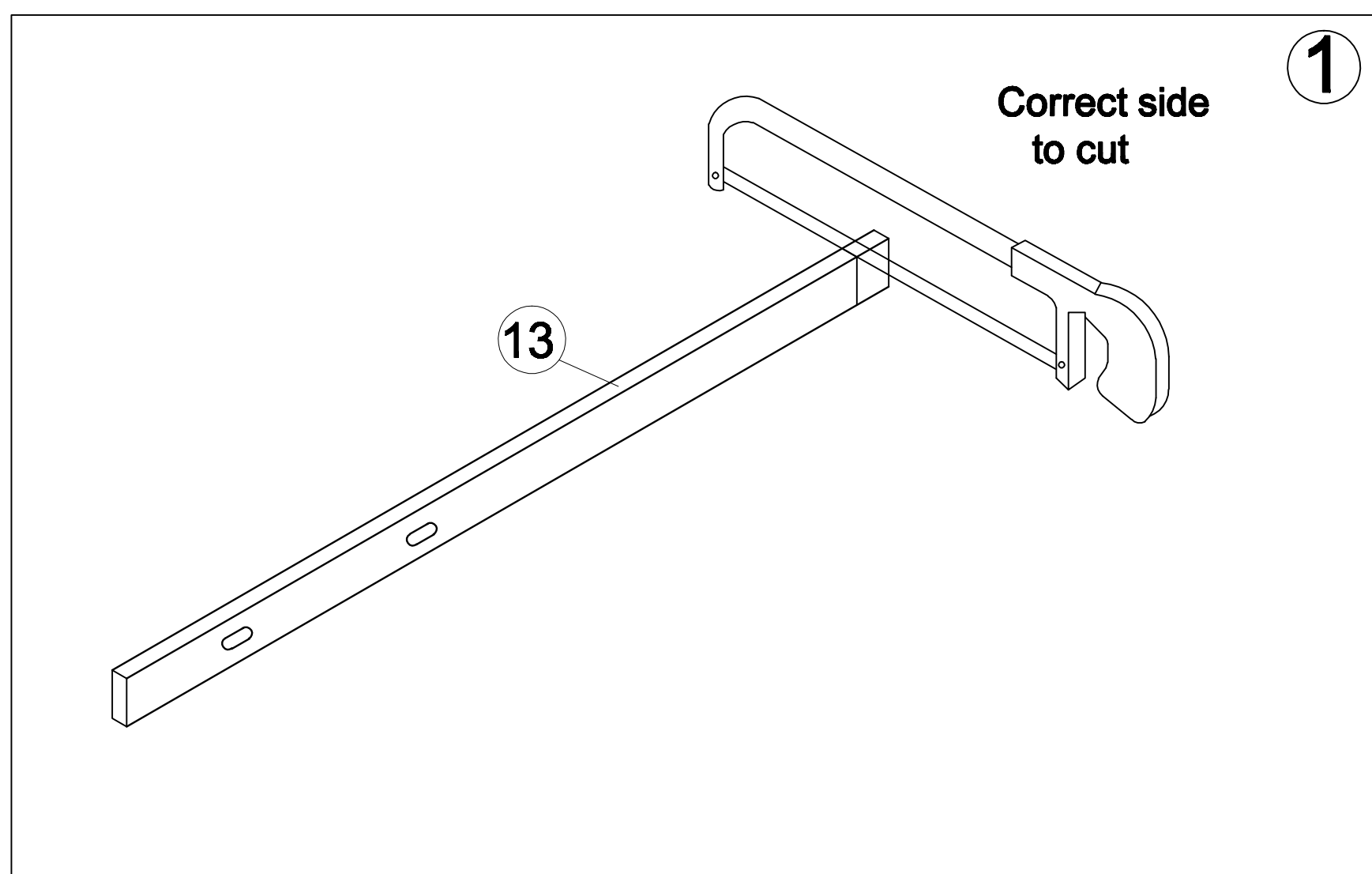
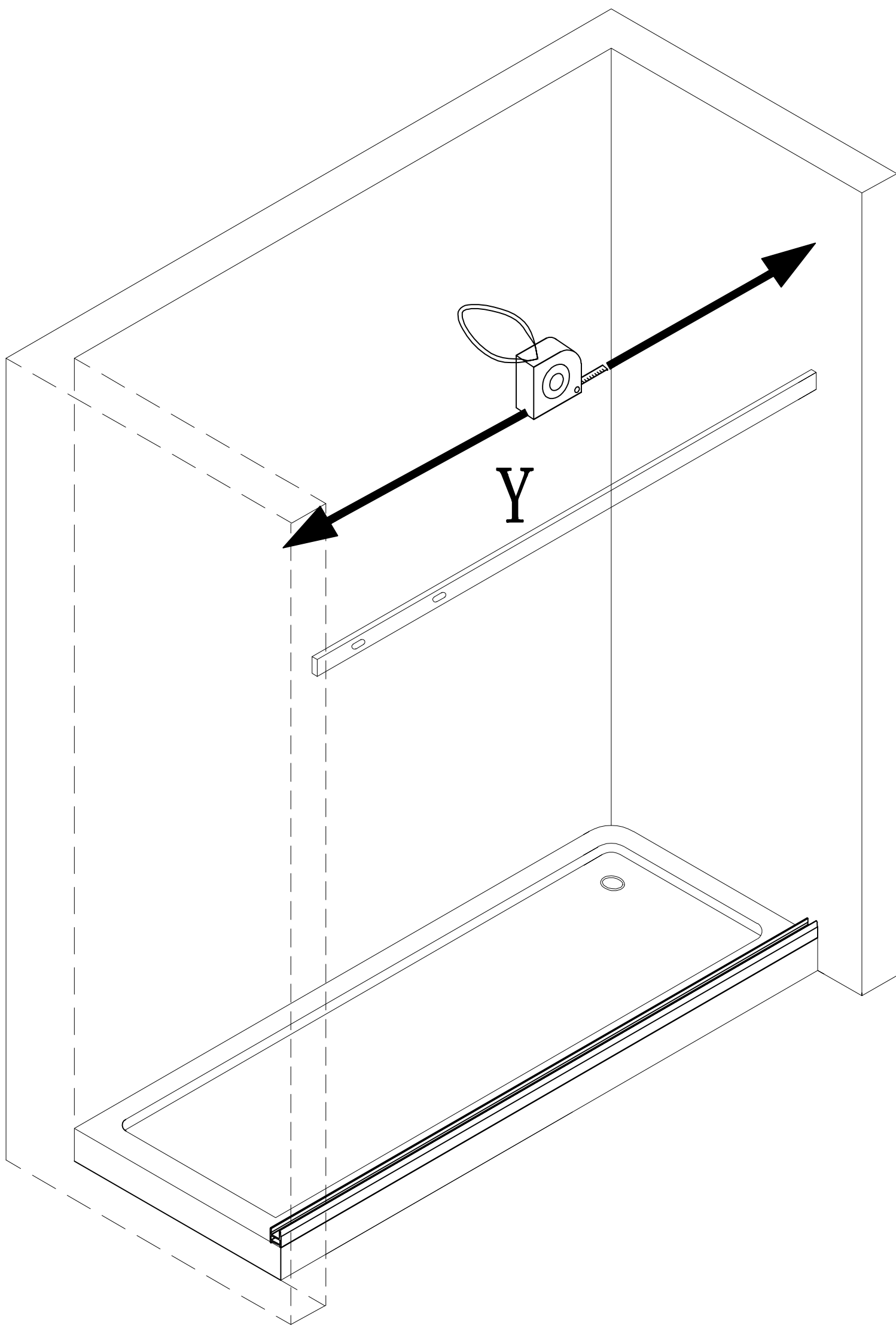


Left Hand Assembly

STEP 3

1. Measure the distance between walls where the Top Rail (13) will be installed. The Top Rail (13) are match 48" or 60" shower door. If the shower area less 48" or 60", please cut the Top Rail (13). (Cut the side of without hole)

For example: If the shower door of you buy is 48", but you shower area just 46", so you need cut 2".

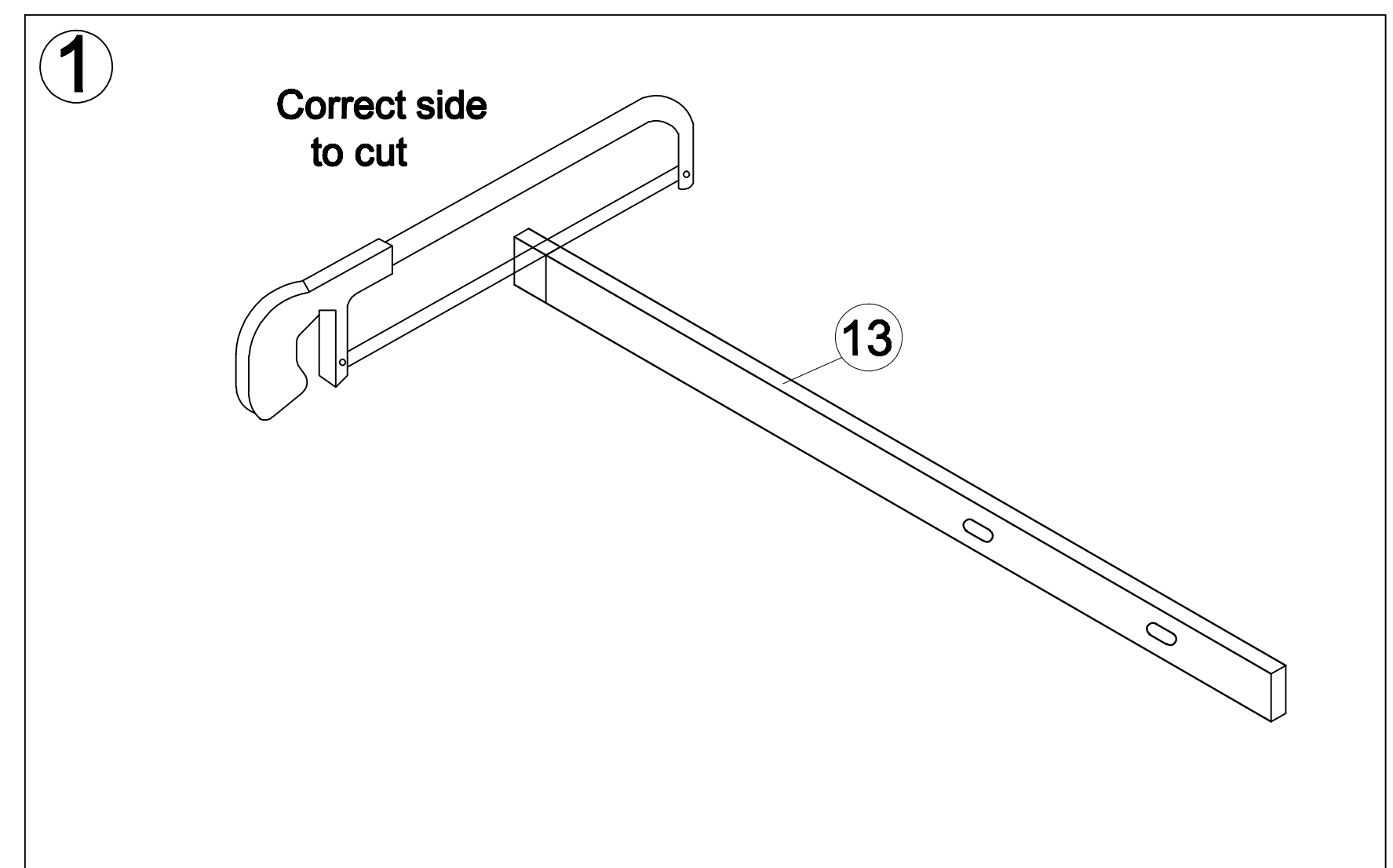
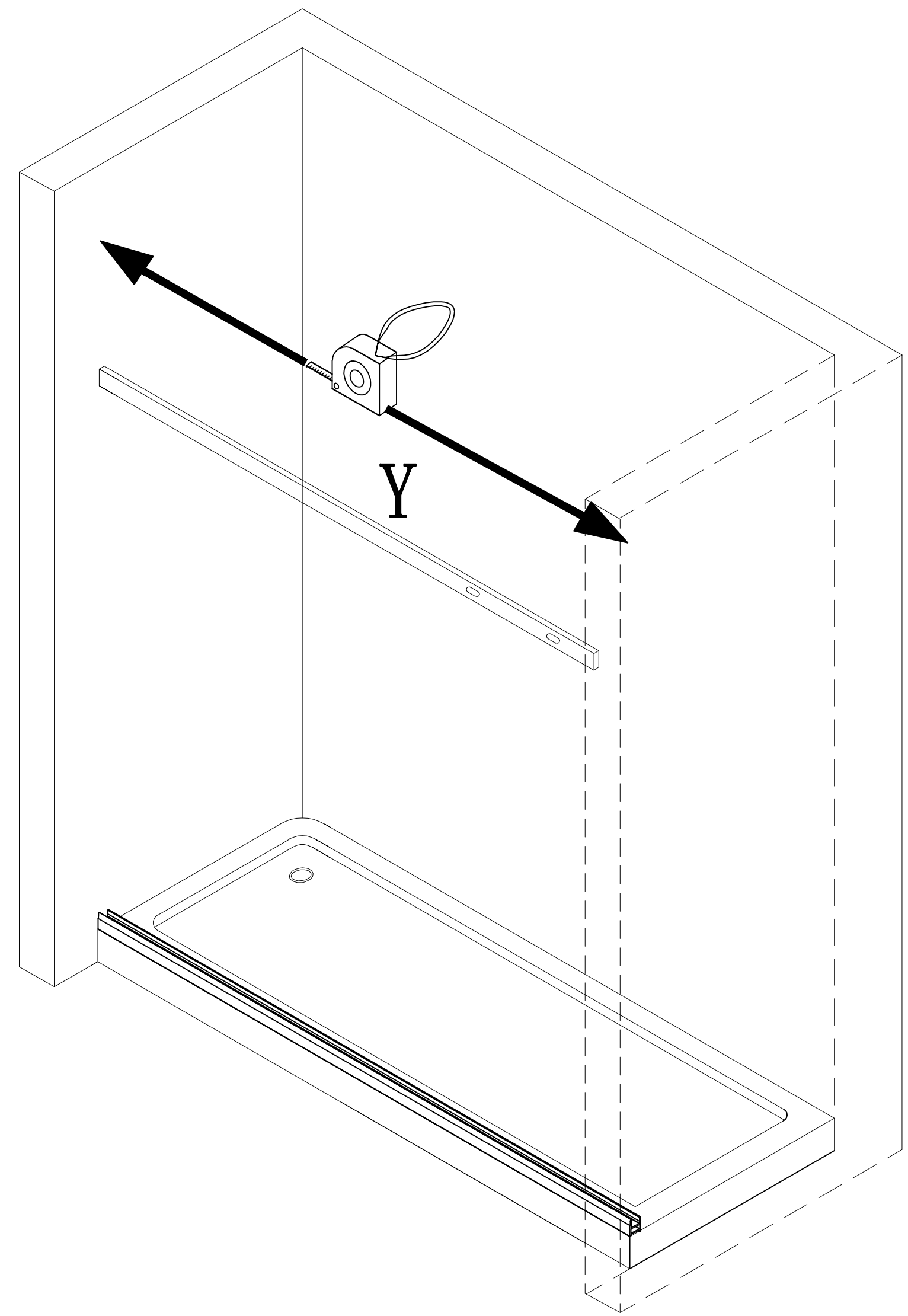


Right Hand Assembly

STEP 3

1. Measure the distance between walls where the Top Rail (13) will be installed. The Top Rail (13) are match 48" or 60" shower door. If the shower area less 48" or 60", please cut the Top Rail (13). (Cut the side of without hole)

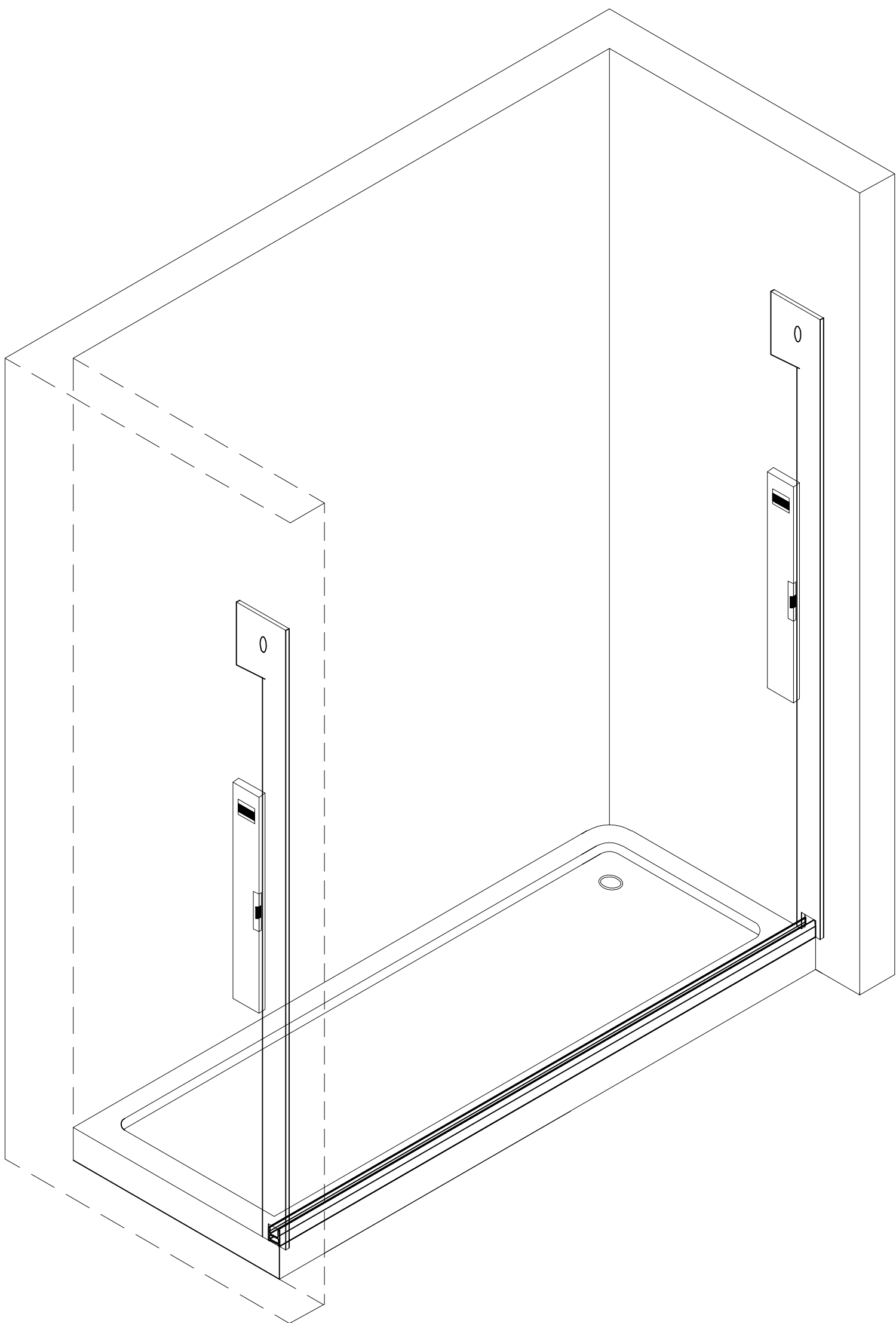
For example: If the shower door of you buy is 48", but you shower area just 46", so you need cut 2".



Left Hand Assembly

STEP 4

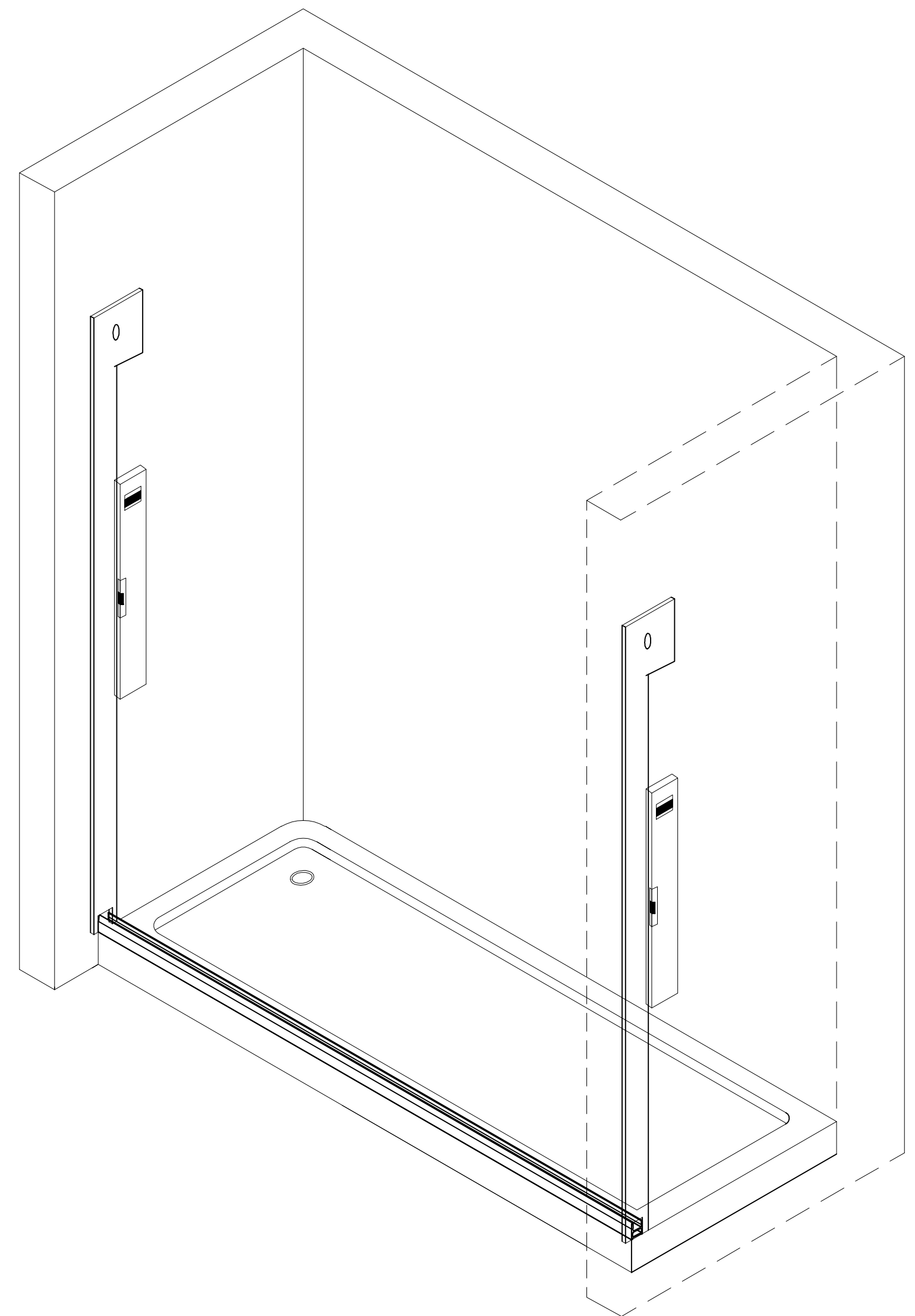
1. Position the template(20) against the wall, the bottom of the template should be over the Door Bottom Guide(11) .
2. Use the level to make the template is vertically straight. Mark the hole position with a pencil. Repeat the process on the opposite side.
3. Please refer to pictures at the end of instructions for clarity.



Right Hand Assembly

STEP 4

1. Position the template(20) against the wall, the bottom of the template should be over the Door Bottom Guide(11) .
2. Use the level to make the template is vertically straight. Mark the hole position with a pencil. Repeat the process on the opposite side.
3. Please refer to pictures at the end of instructions for clarity.



Insert template to bottom door guide.



Level the template.



Use pencil to mark the hole.



Insert template to bottom door guide.



Level the template.

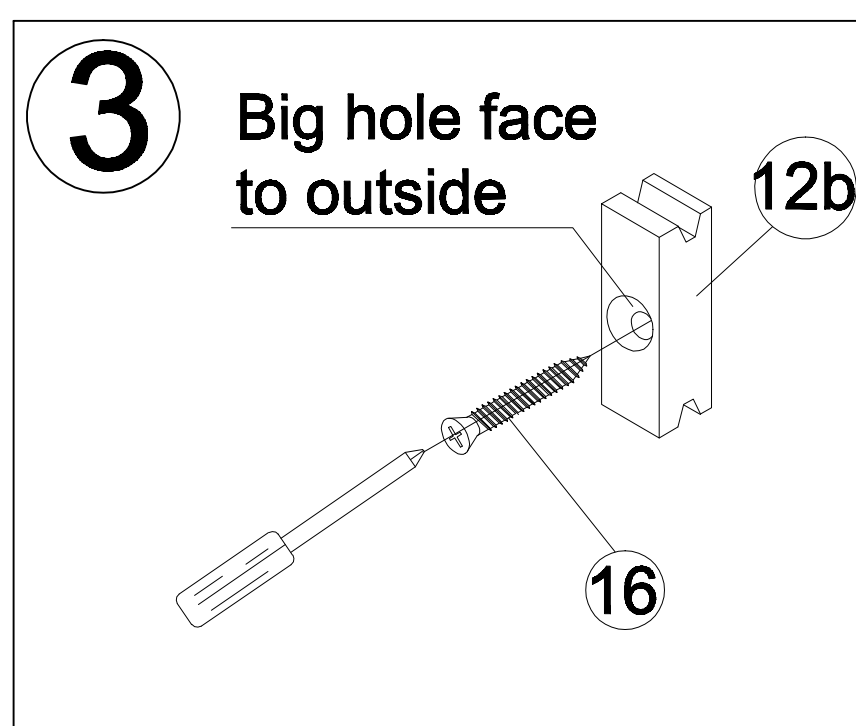
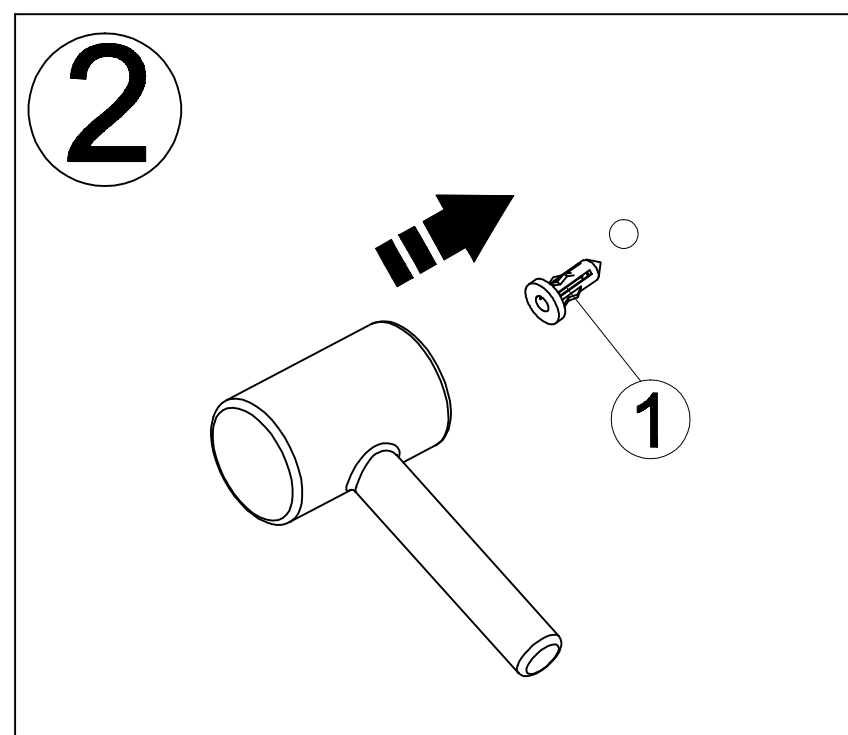
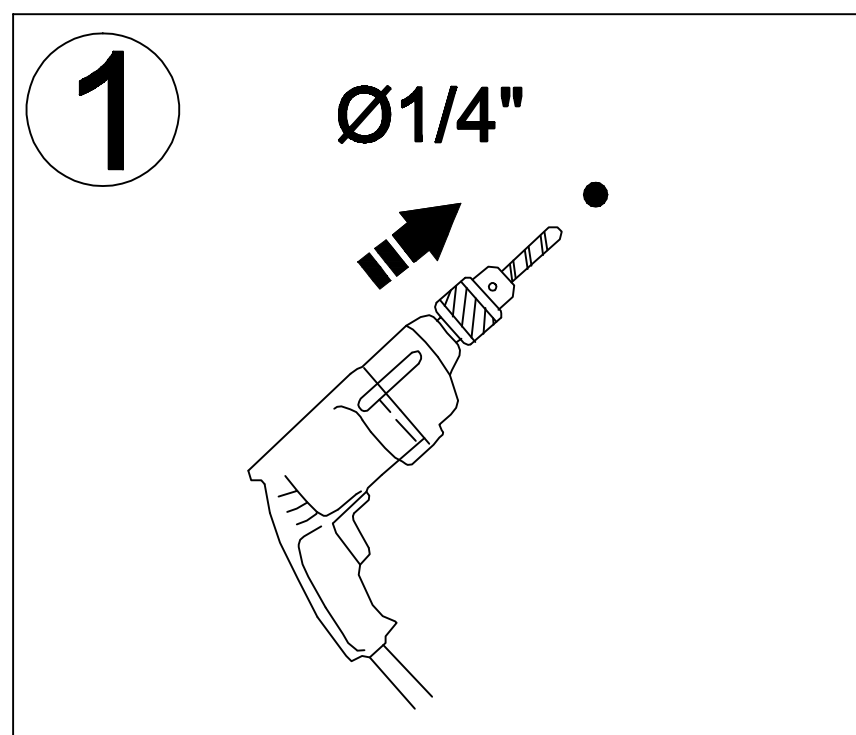
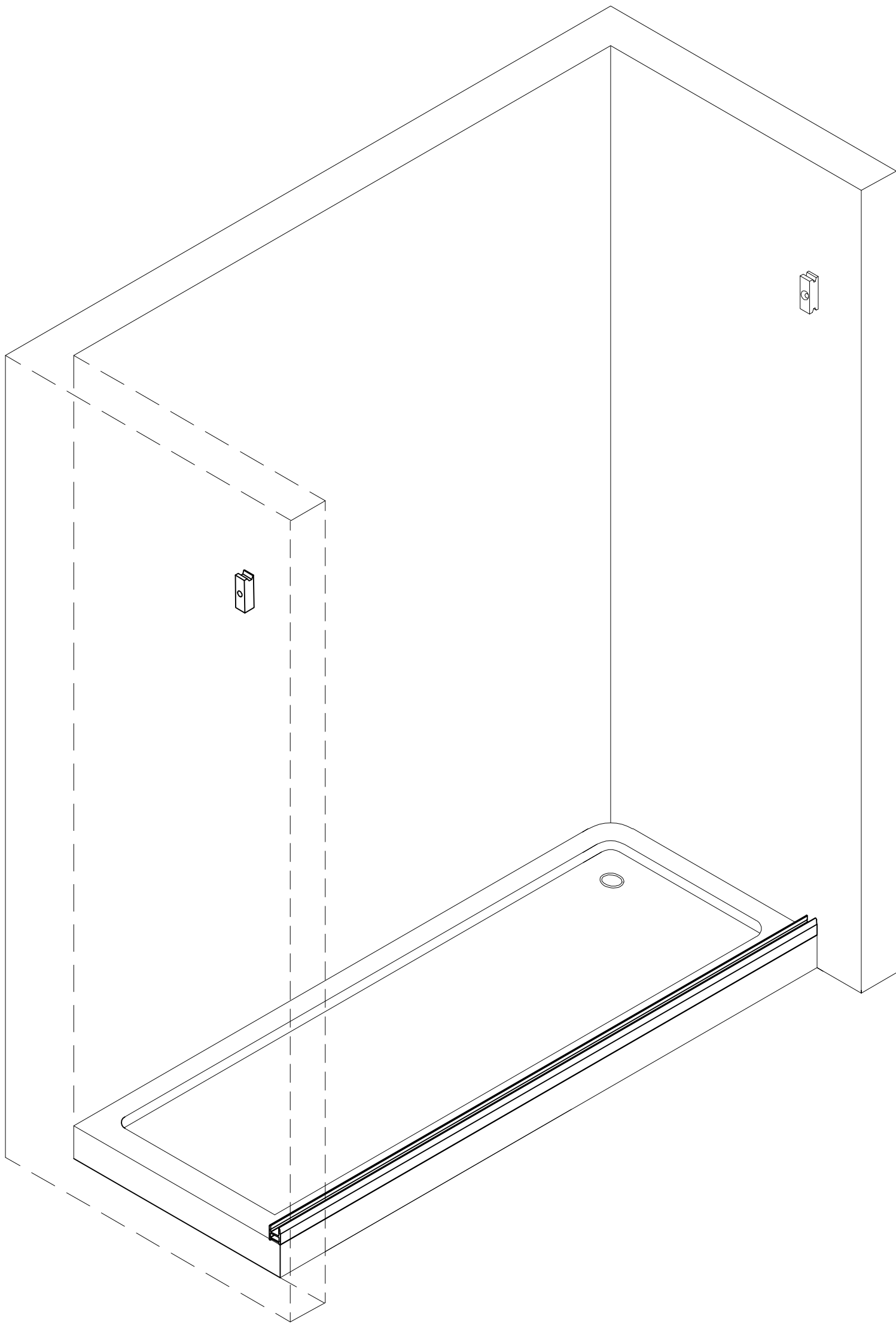


Use pencil to mark the hole.

Left Hand Assembly

STEP 5

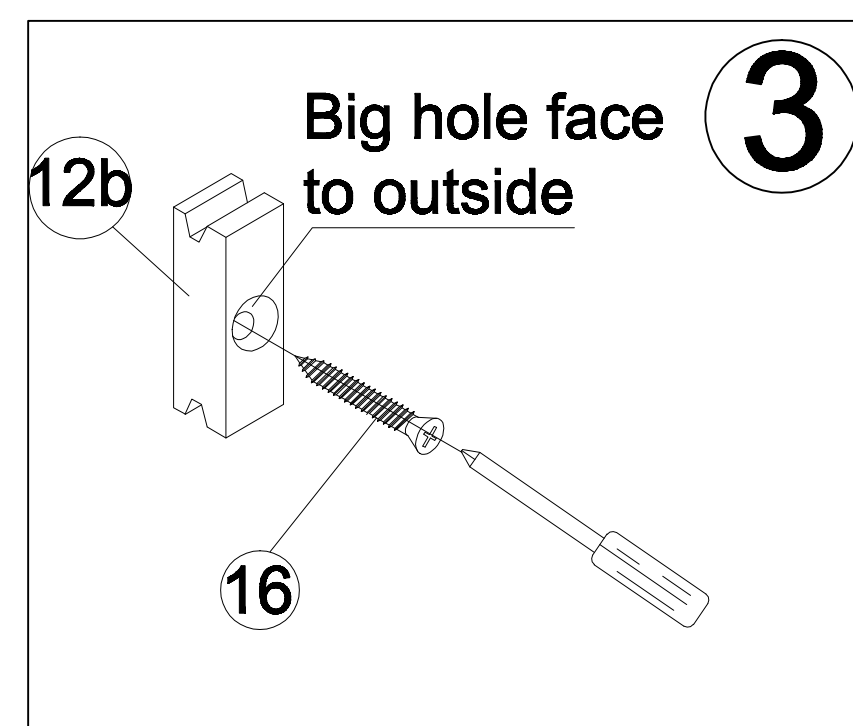
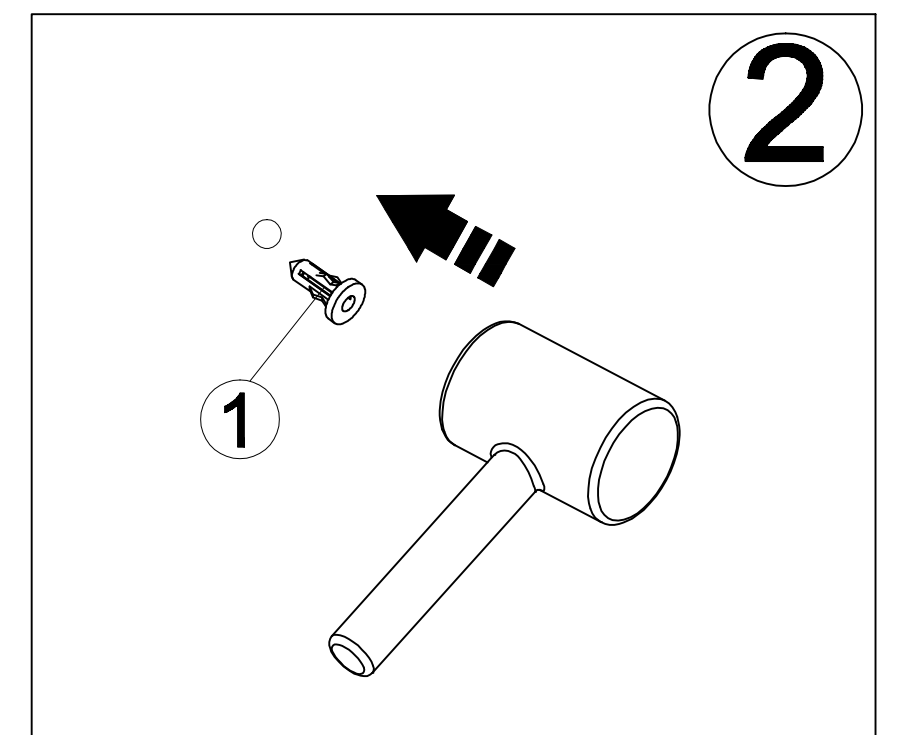
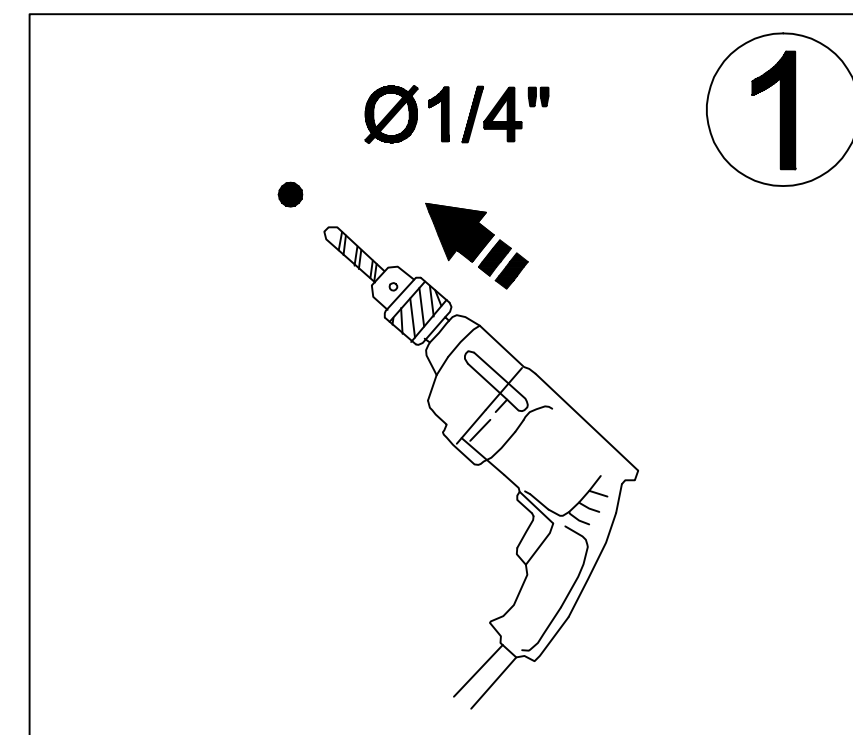
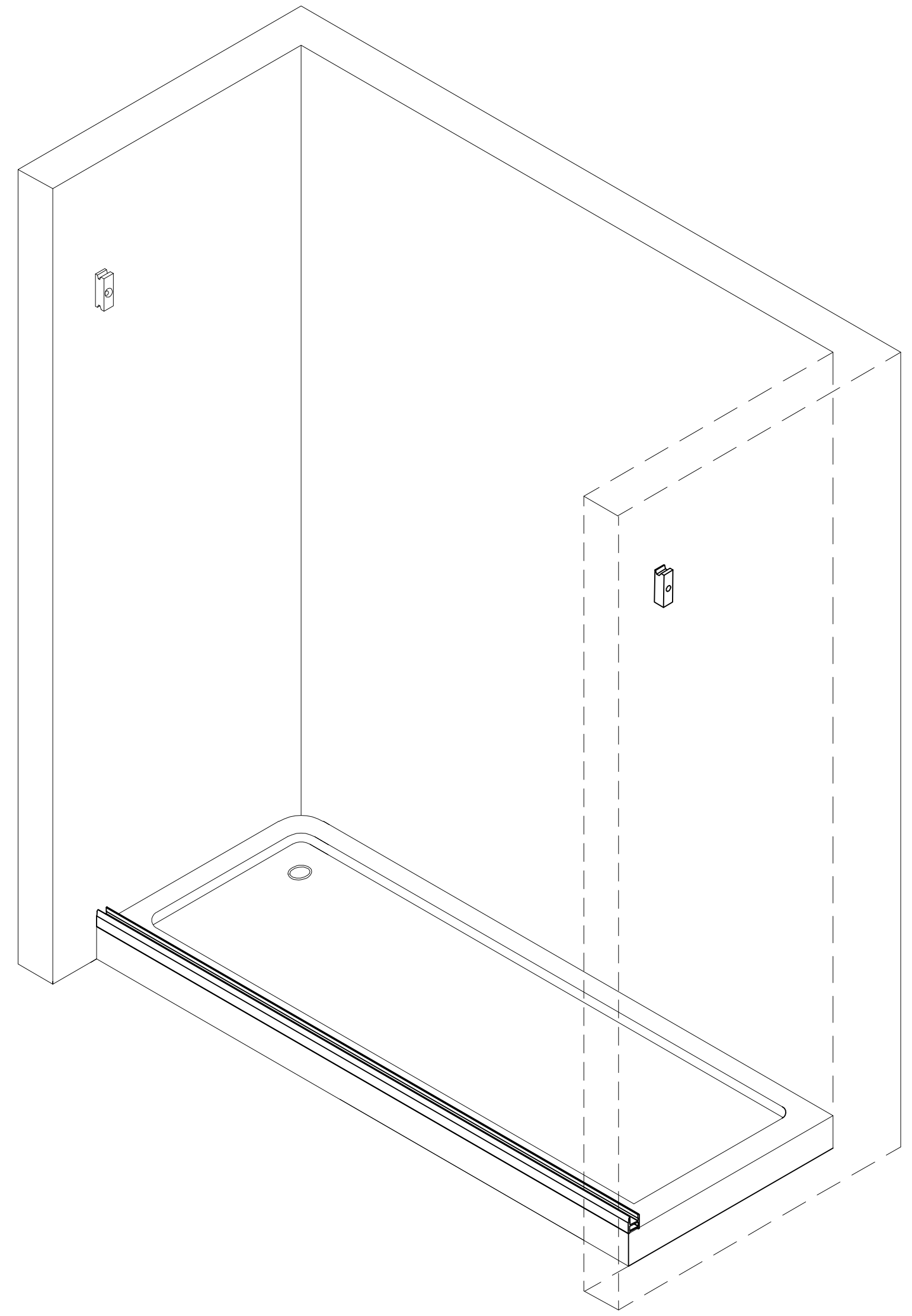
1. Drill a hole on the mark with 1/4" drill bit.
2. Hammer the anchor into the hole.
3. Use one of the 1 1/4" self tapping screws(16) to secure Rail Wall Connector(12b) onto the wall.



Right Hand Assembly

STEP 5

1. Drill a hole on the mark with 1/4" drill bit.
2. Hammer the anchor into the hole.
3. Use one of the 1 1/4" self tapping screws(16) to secure Rail Wall Connector(12b) onto the wall.

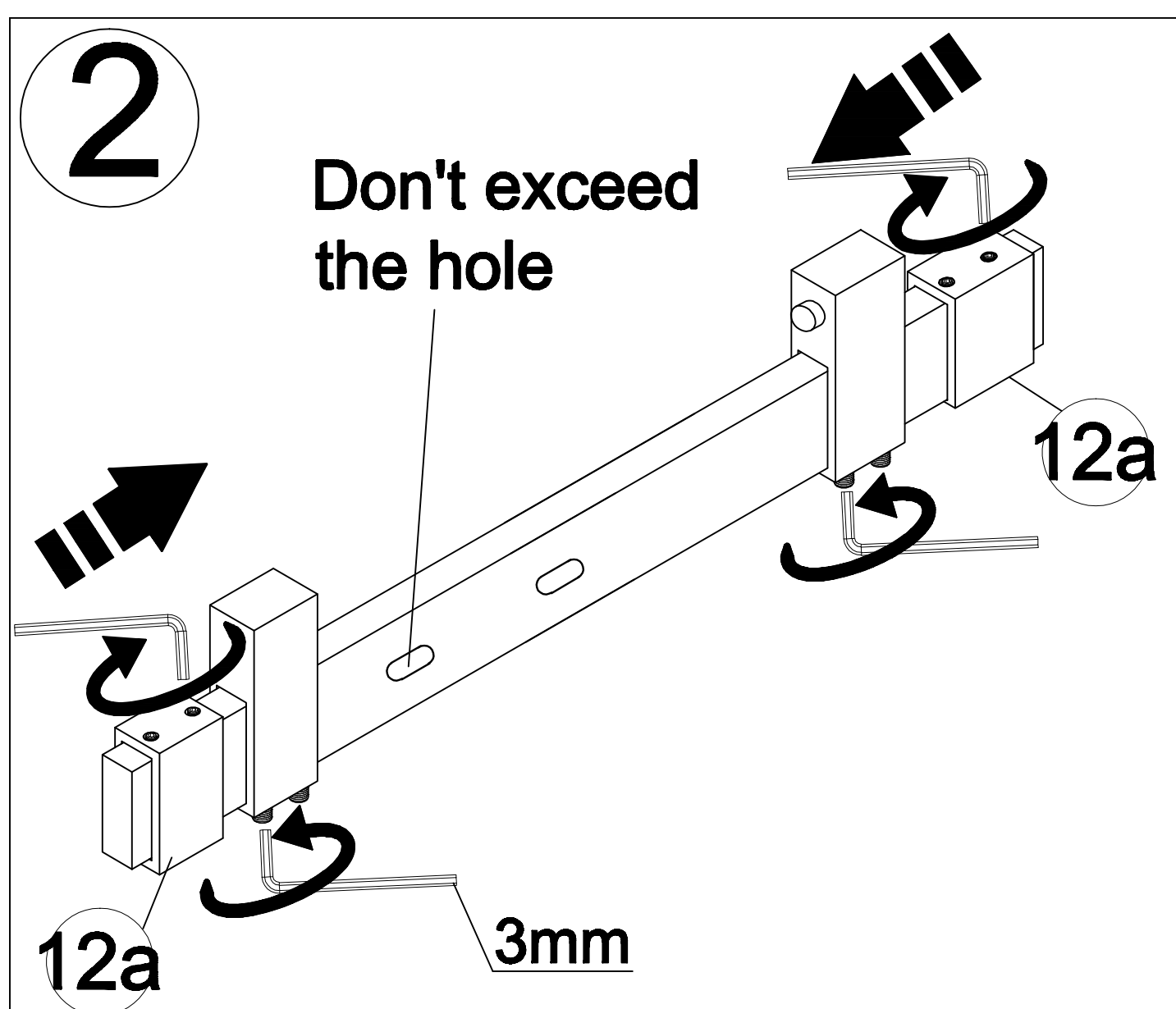
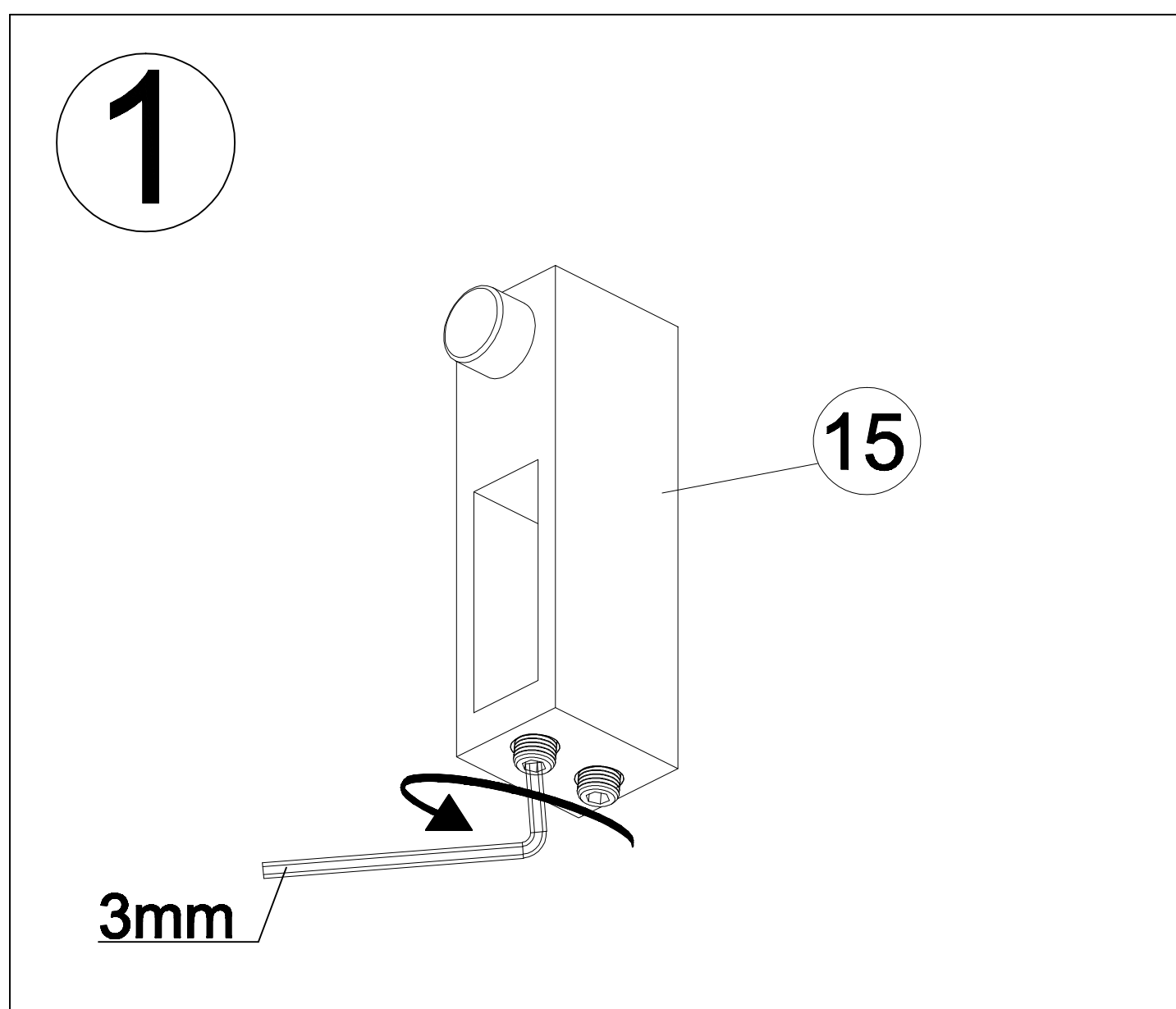
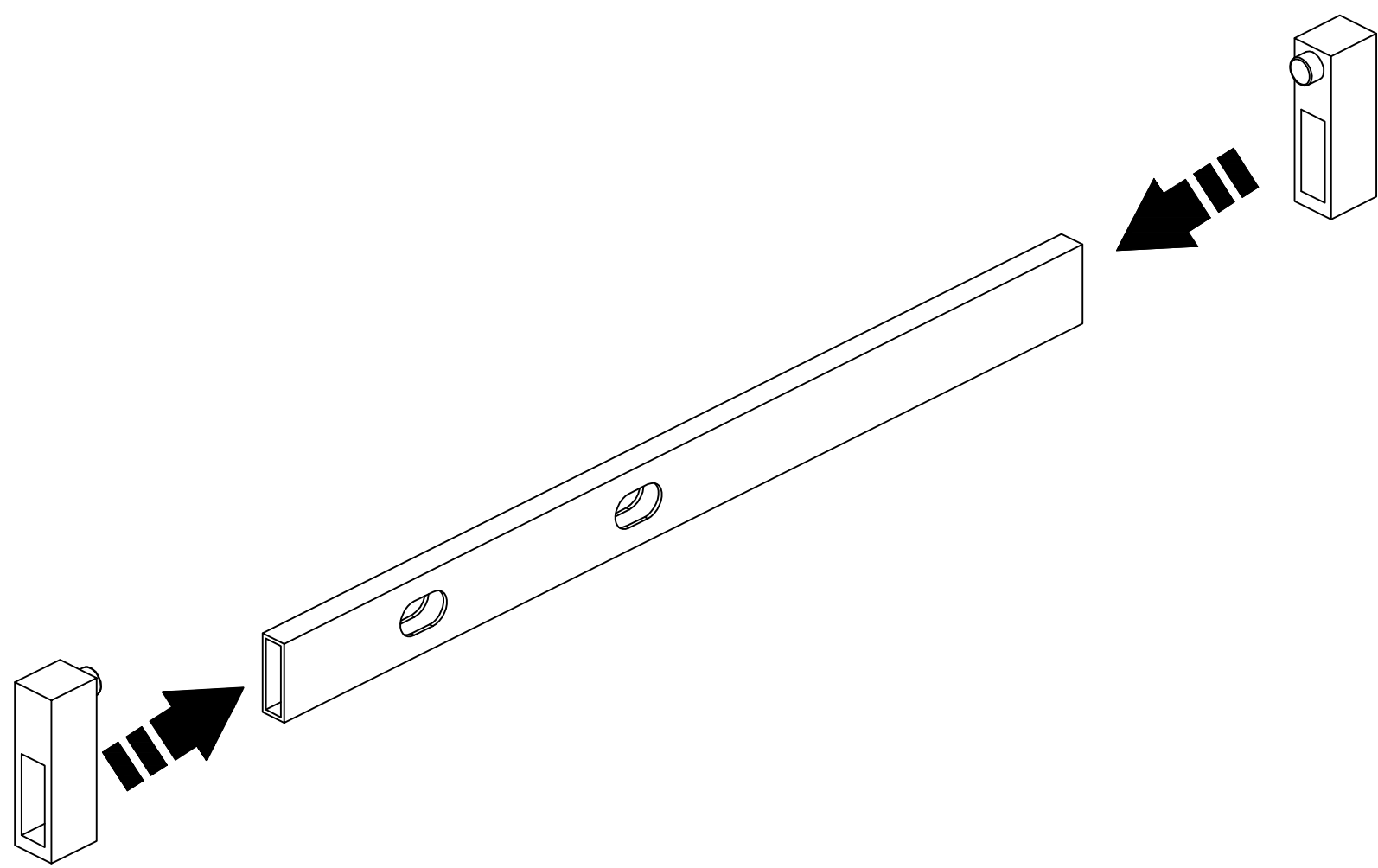


Left Hand Assembly

STEP 6

1. Install the 2 Door Bumpers(15) onto the Top Rail(13). Insert Rail Wall Brackets(12a) on both sides of the Top Rail.

2. Use the 3mm Allen Wrench to secure them by tightening the screws on the bottom.

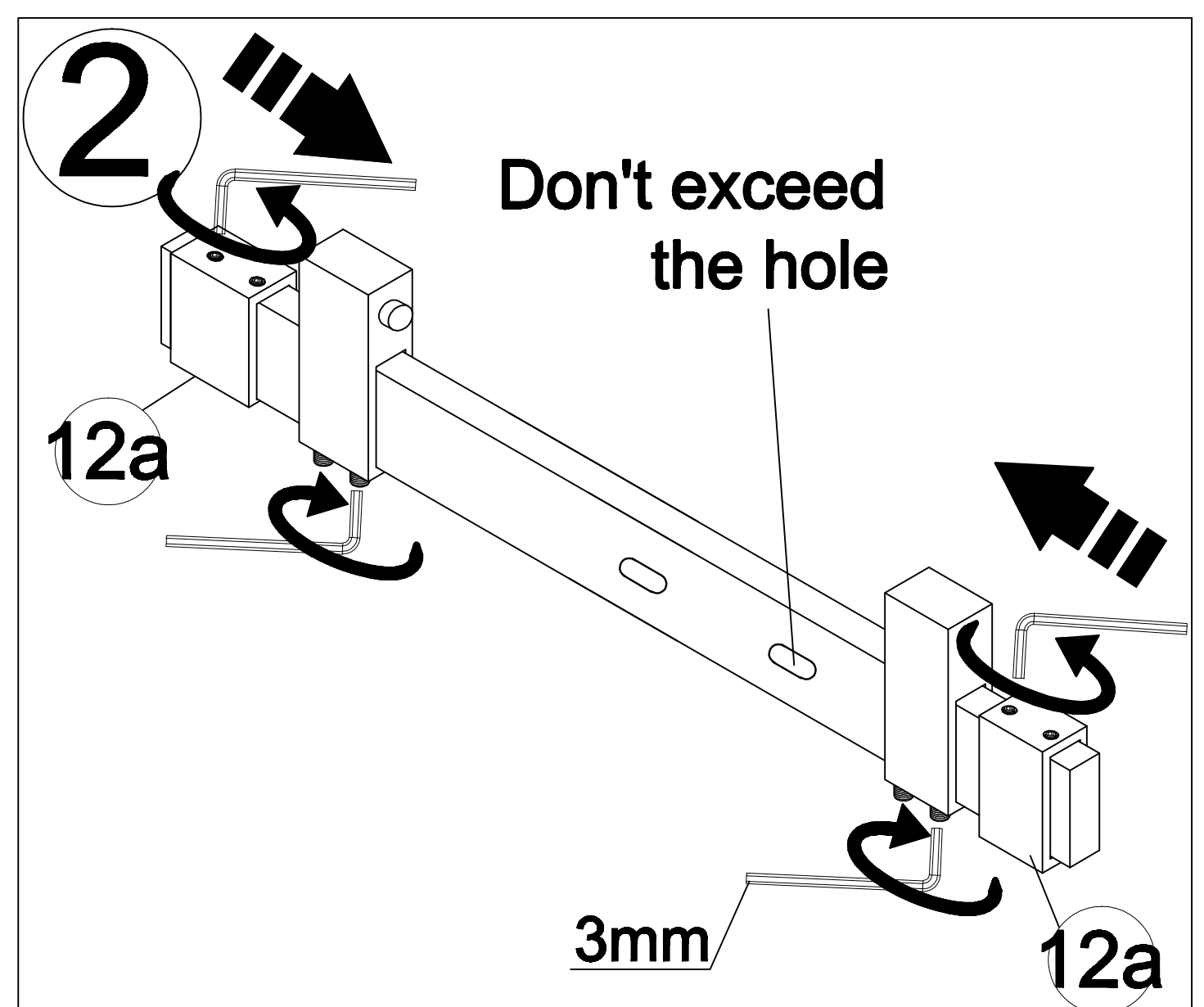
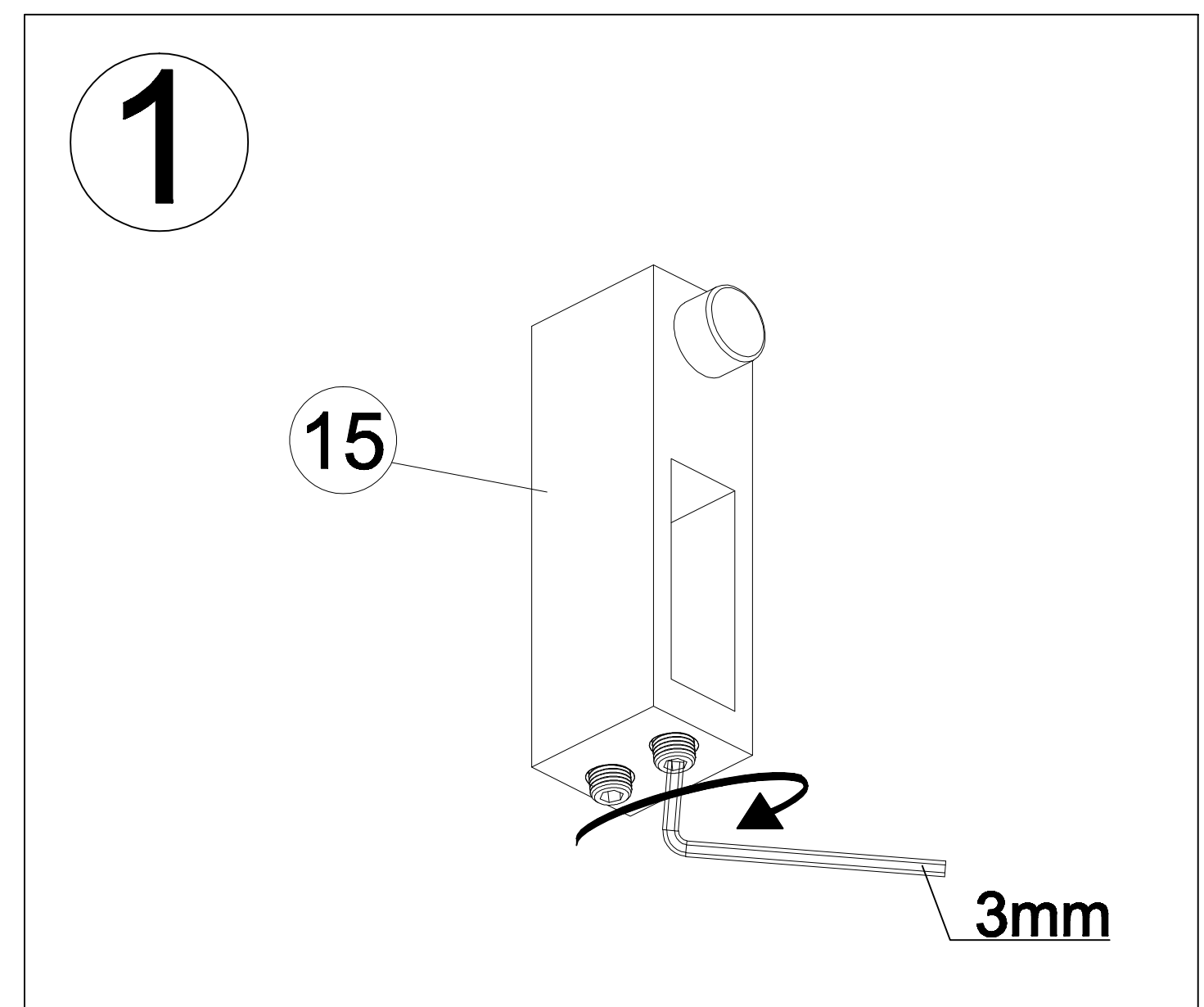
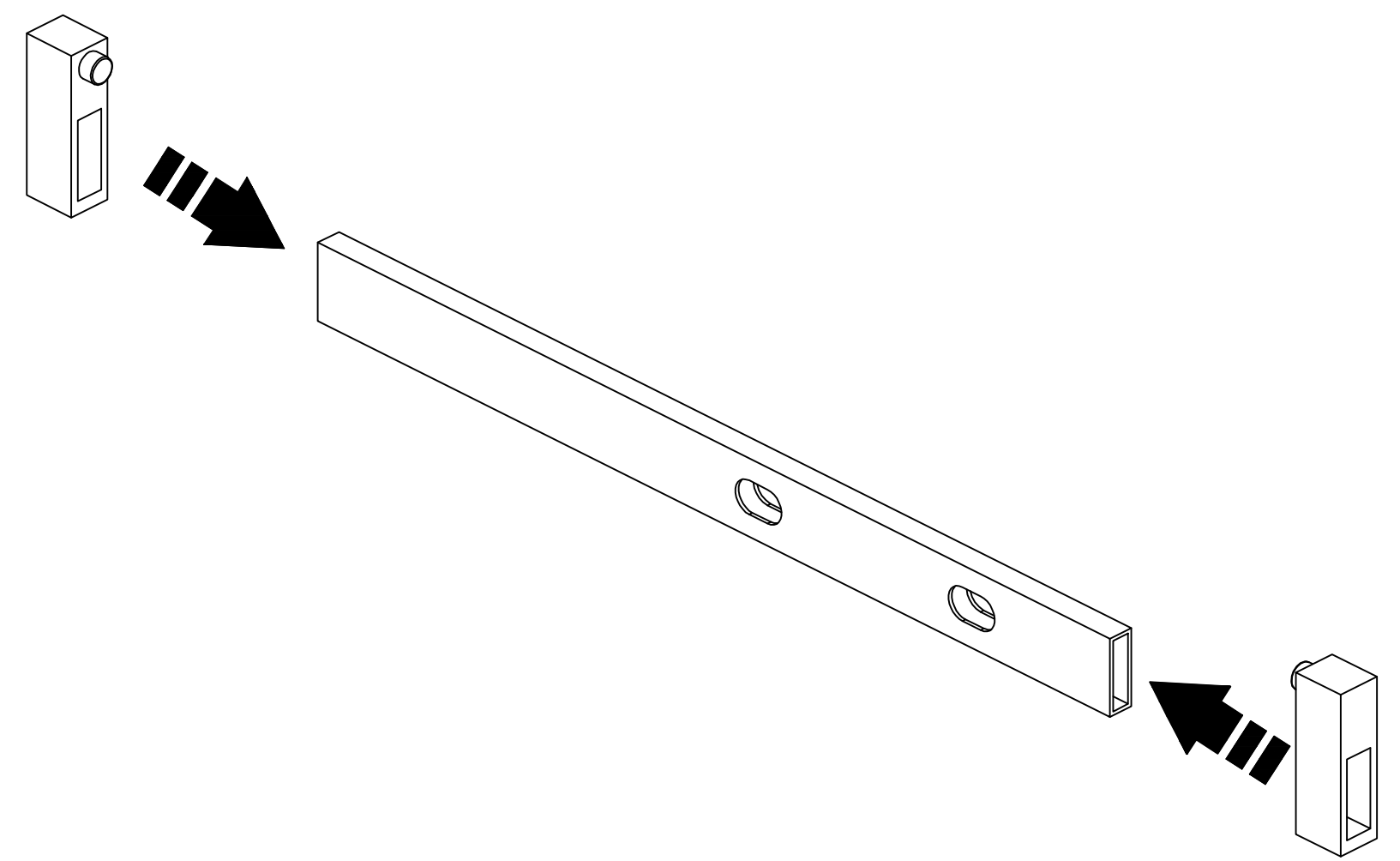


Right Hand Assembly

STEP 6

1. Install the 2 Door Bumpers(15) onto the Top Rail(13). Insert Rail Wall Brackets(12a) on both sides of the Top Rail.

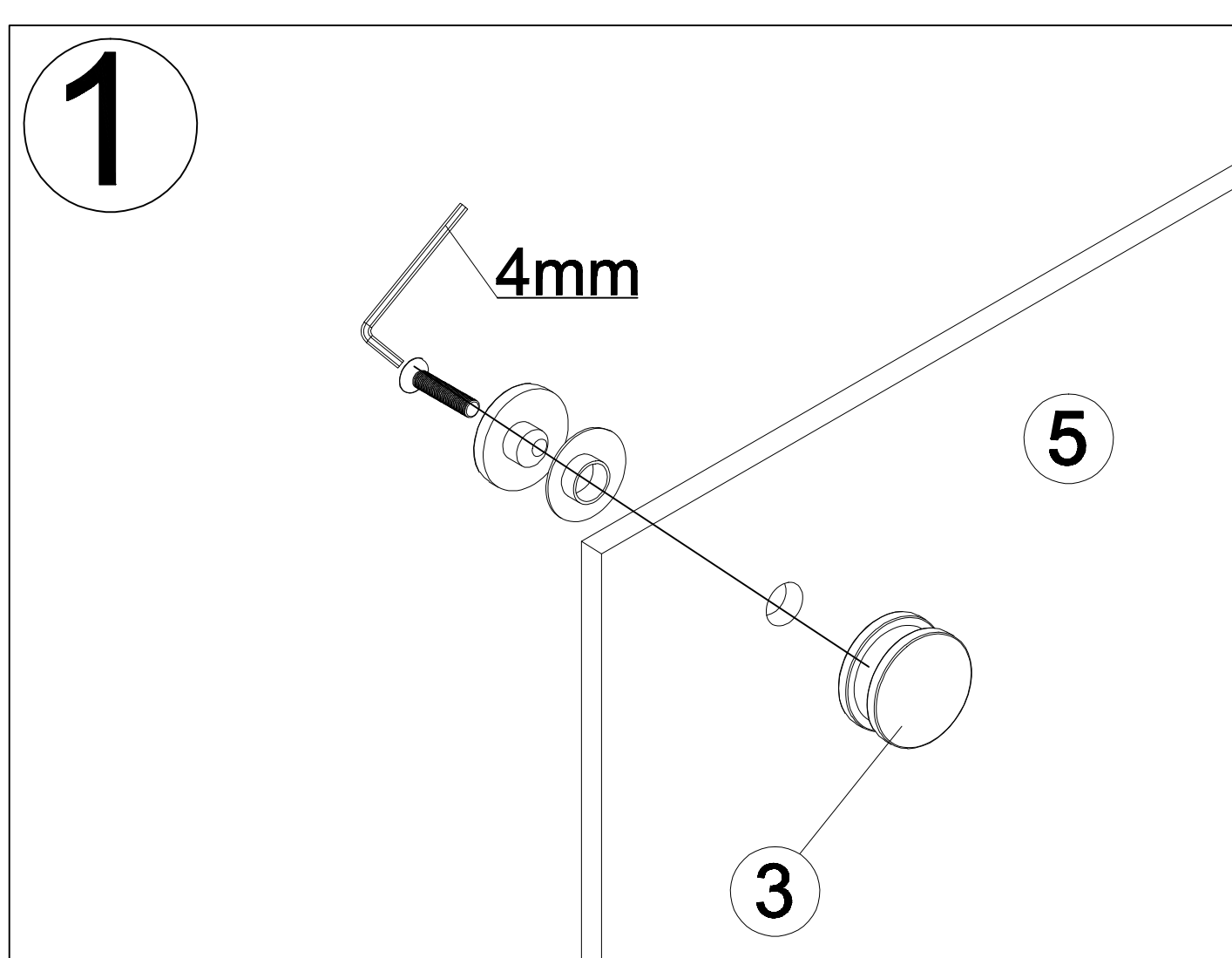
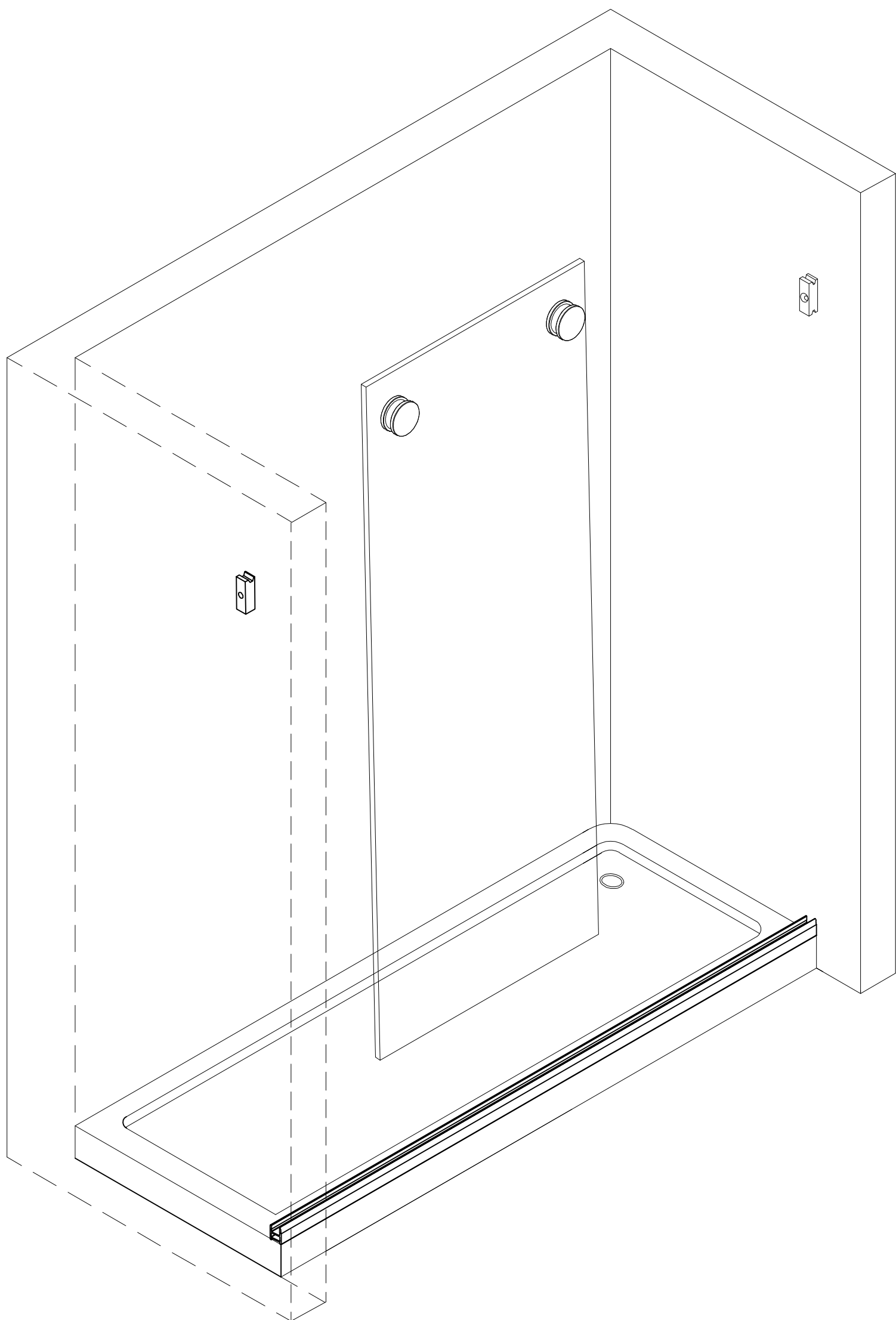
2. Use the 3mm Allen Wrench to secure them by tightening the screws on the bottom.



Left Hand Assembly

STEP 7

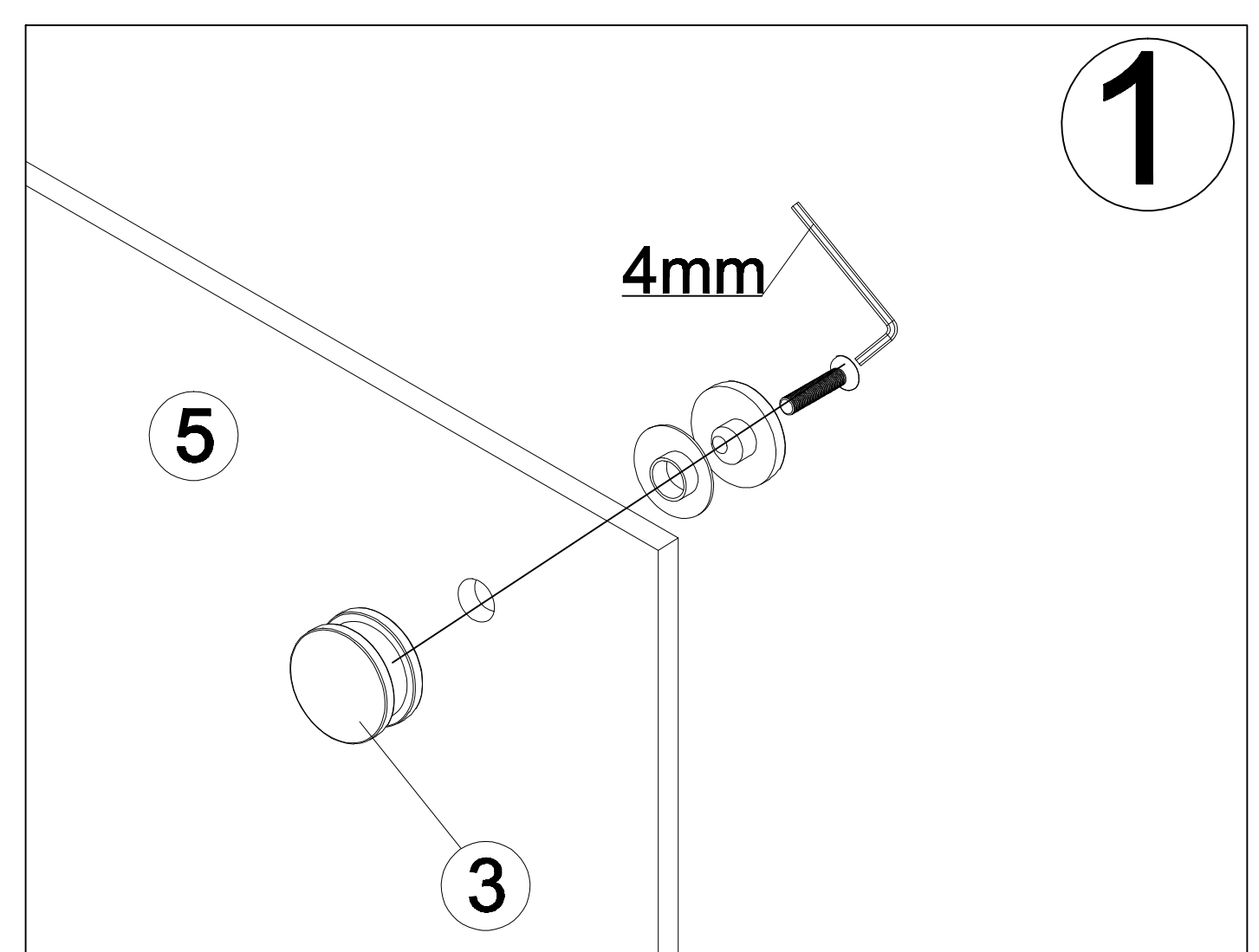
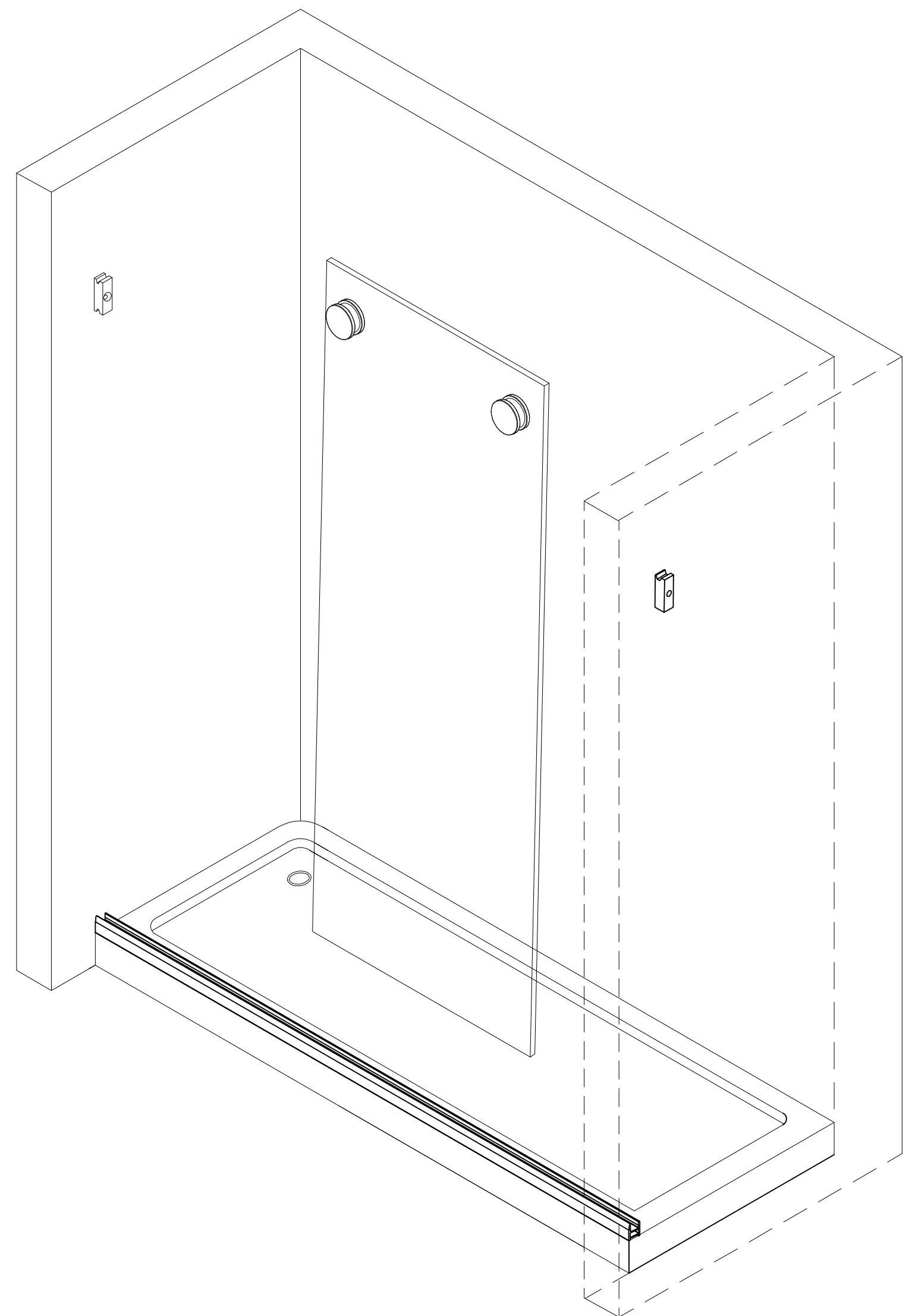
1. Secure the two rollers (3) onto the roller door (5) and move it inside of shower area.



Right Hand Assembly

STEP 7

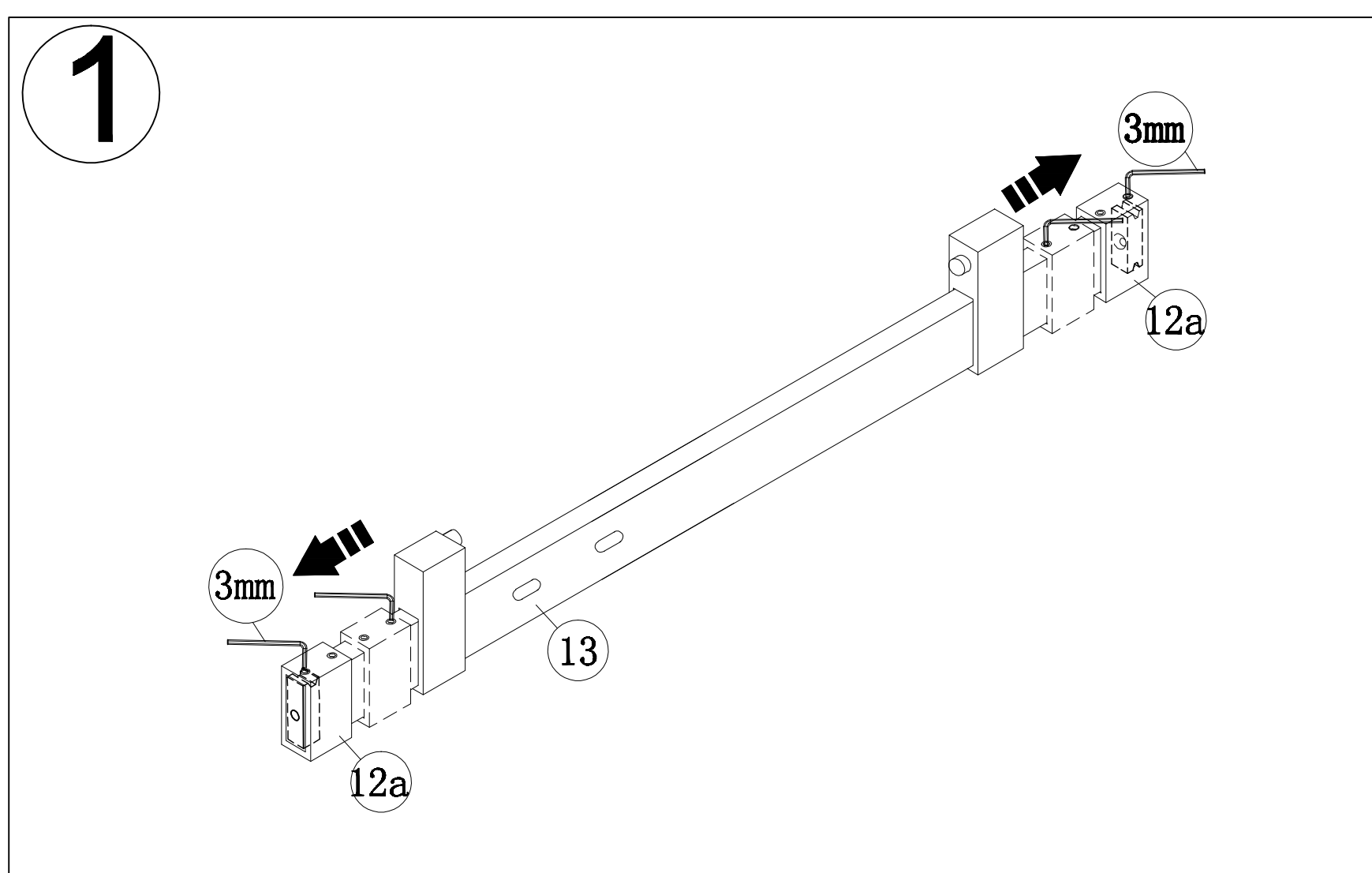
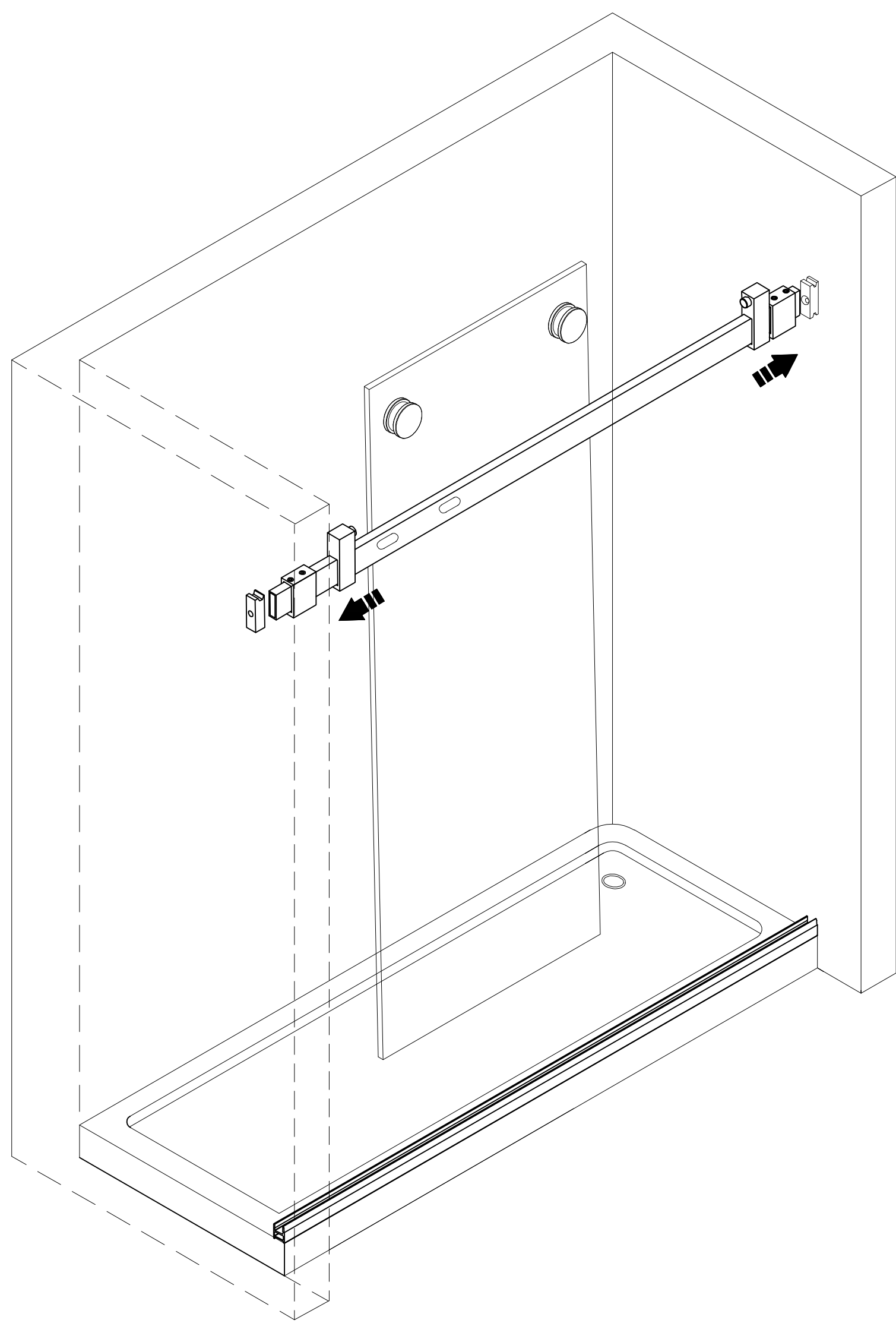
1. Secure the two rollers (3) onto the roller door (5) and move it inside of shower area.



Left Hand Assembly

STEP 8

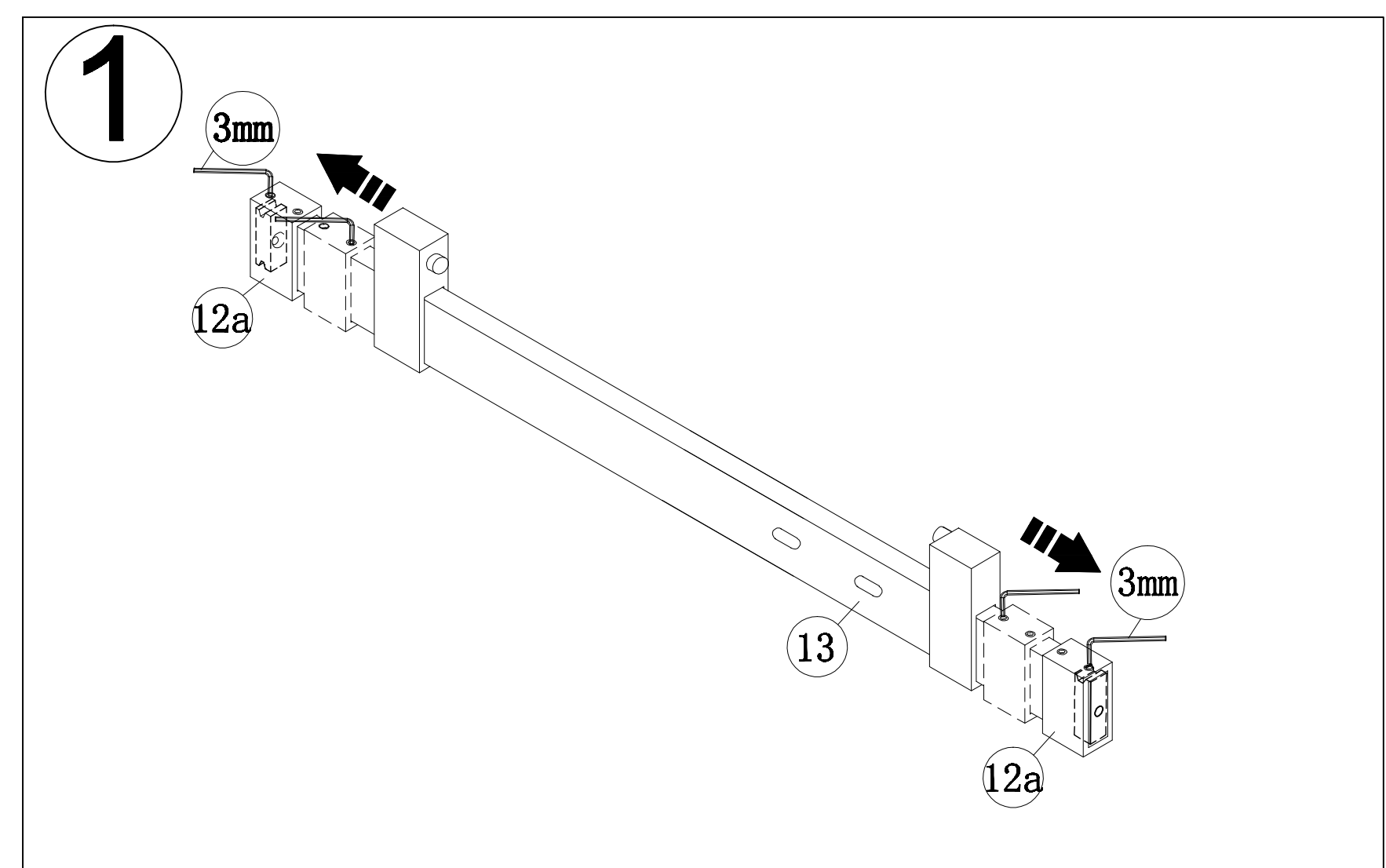
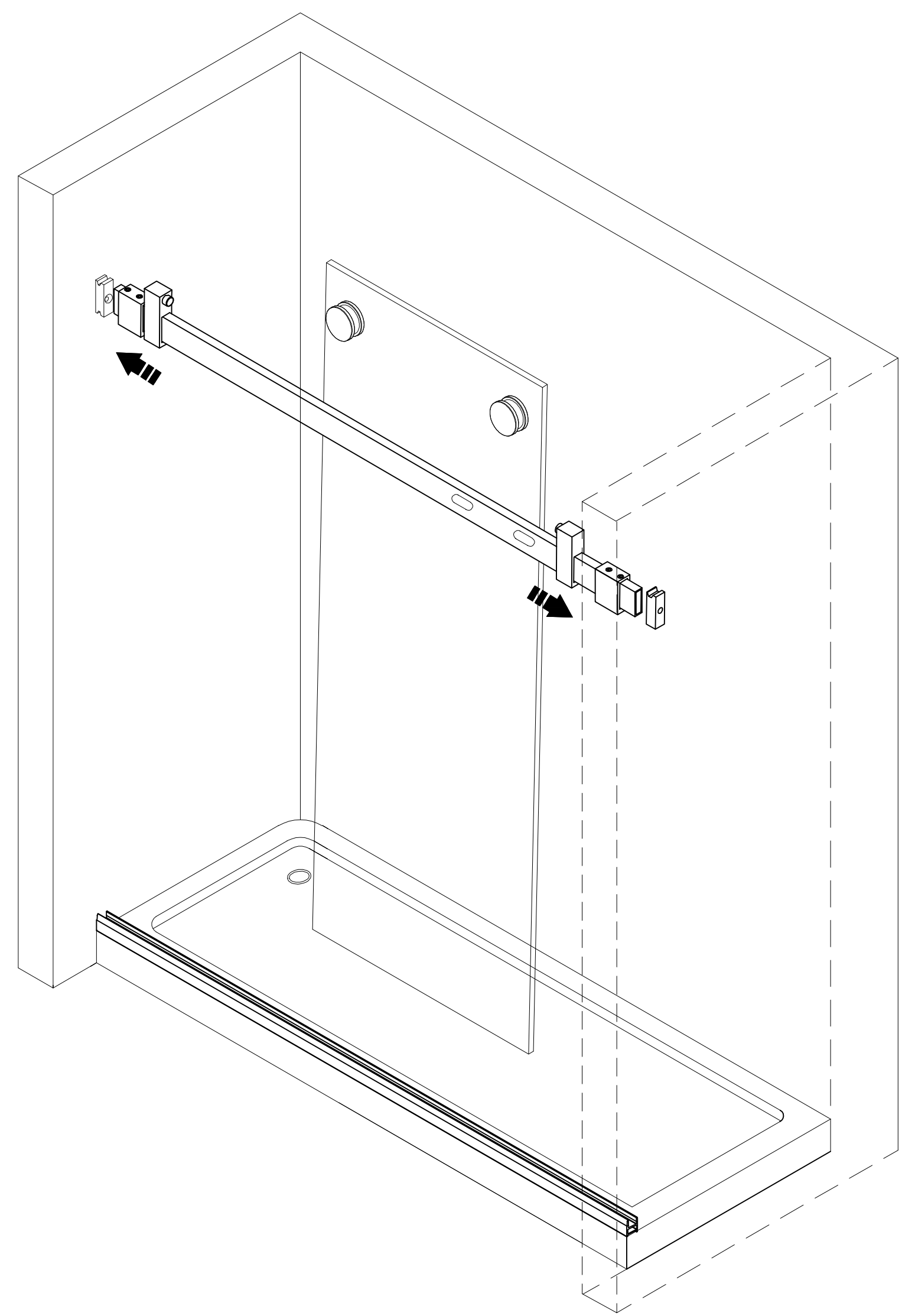
1. Insert the assembled Top rail(13) on the Rail wall bracket(12a). First, loosen the screws on Rail wall bracket(12a). Second, push the Rail wall bracket(12a) on both side to the Rail wall connector(12b). Third, secure the screws use 3mm Allen wrench.



Right Hand Assembly

STEP 8

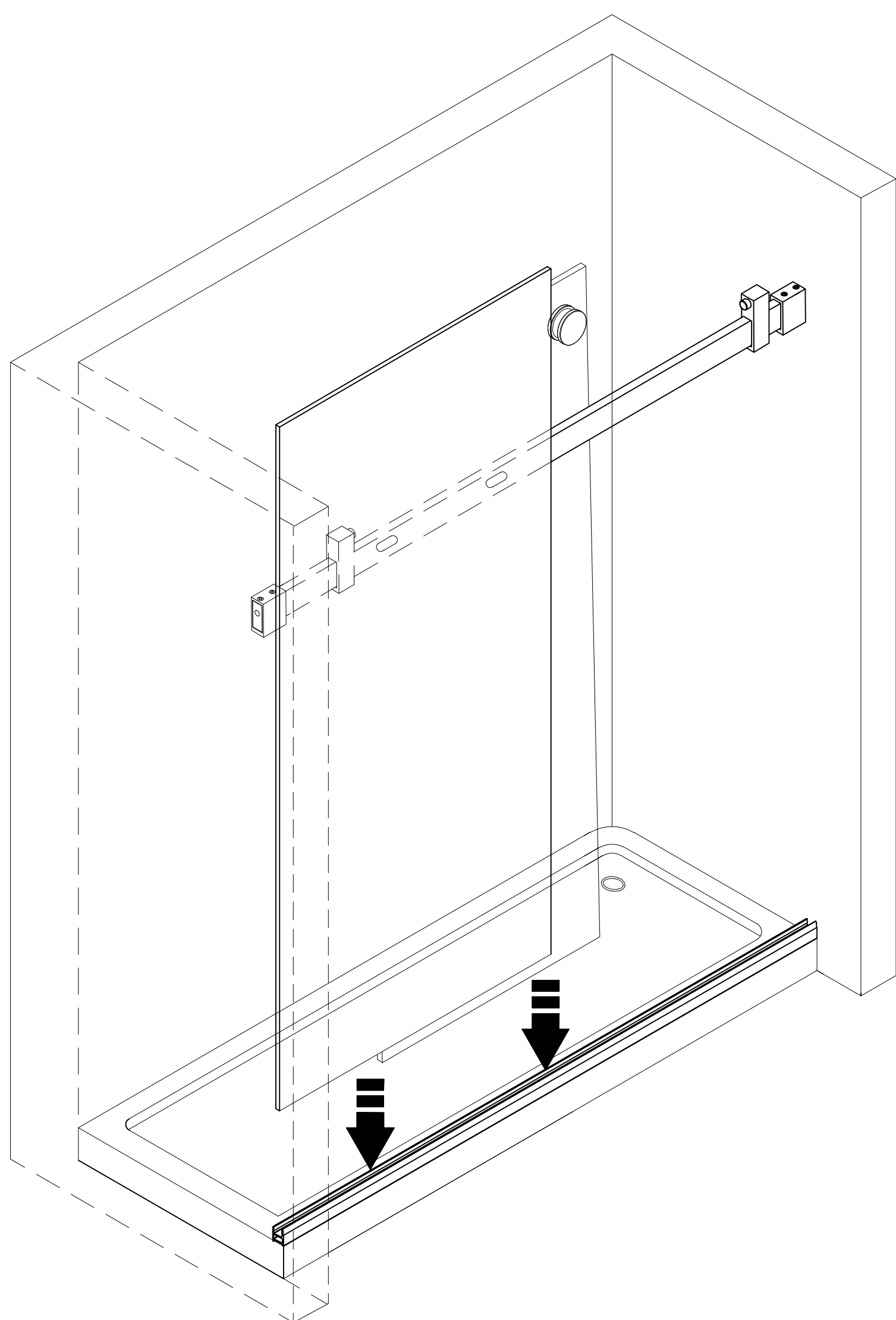
1. Insert the assembled Top rail(13) on the Rail wall bracket(12a). First, loosen the screws on Rail wall bracket(12a). Second, push the Rail wall bracket(12a) on both side to the Rail wall connector(12b). Third, secure the screws use 3mm Allen wrench.



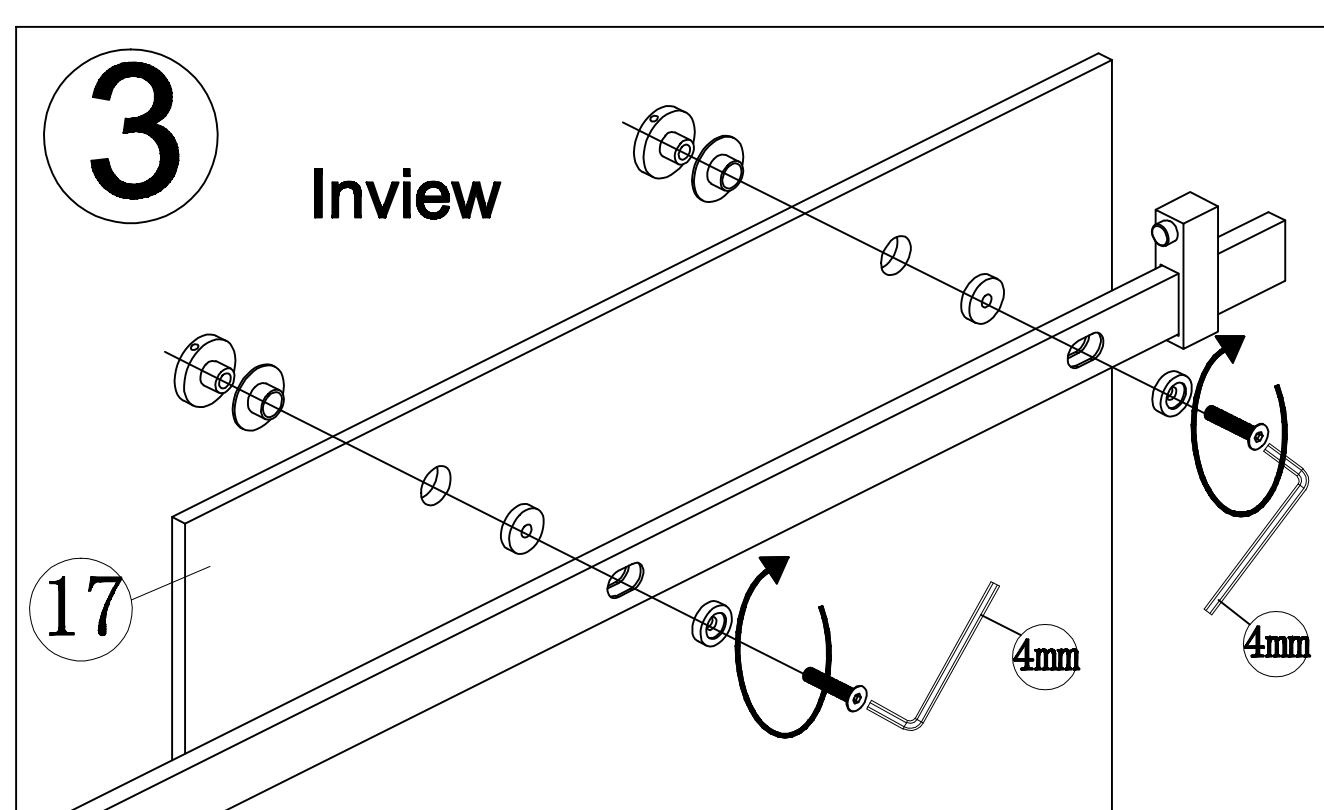
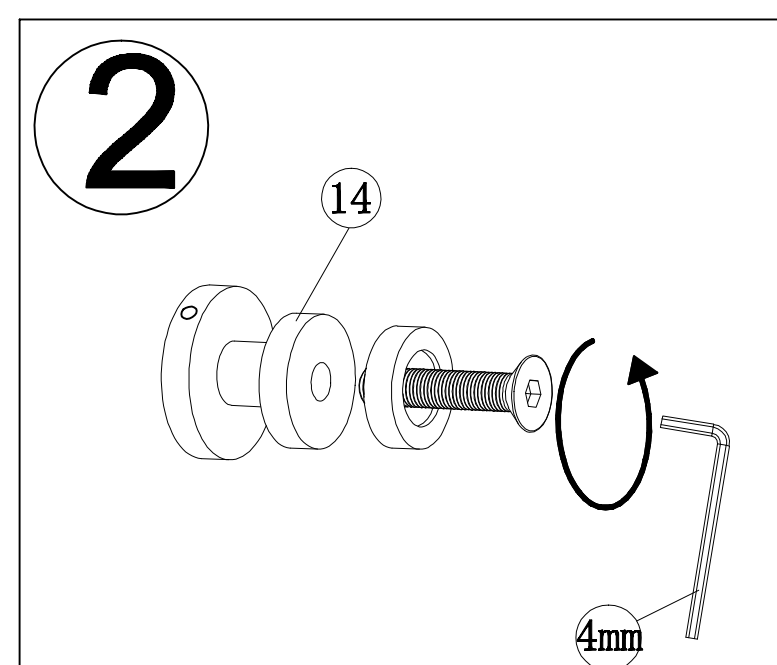
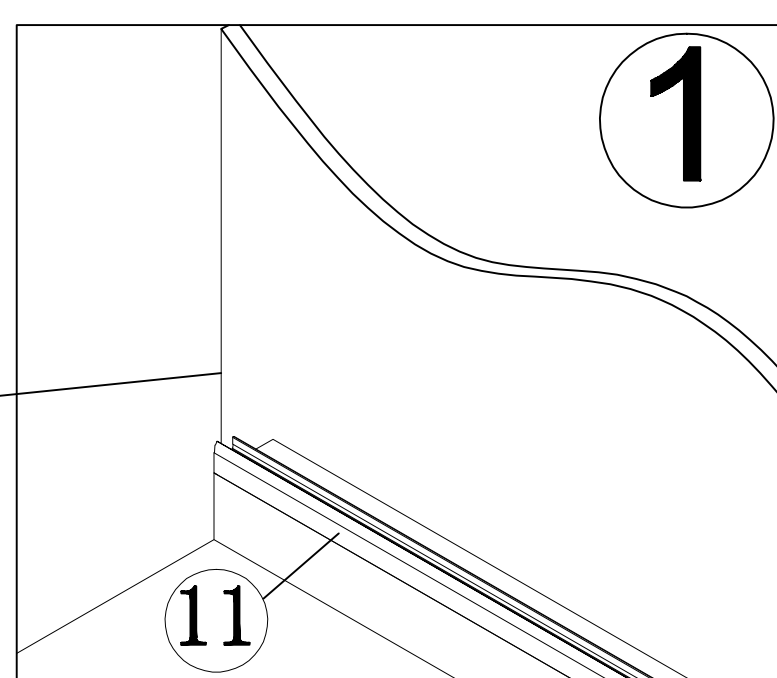
Left Hand Assembly

STEP 9

1. Install Fixed panel(17). Put Fixed panel(17) on Door bottom guide(11). Then push the Fixed panel(17) to the wall. (Note: Fixed panel(17) is on the outside, the Top rail(13) is on the inside)
2. Dismantle Fixed panel fastener(14) use 4mm Allen wrench.
3. Assemble Fixed panel(17) and Top rail(13) together with Fixed panel fastener(14). Then secure the screw use 4mm Allen wrench.



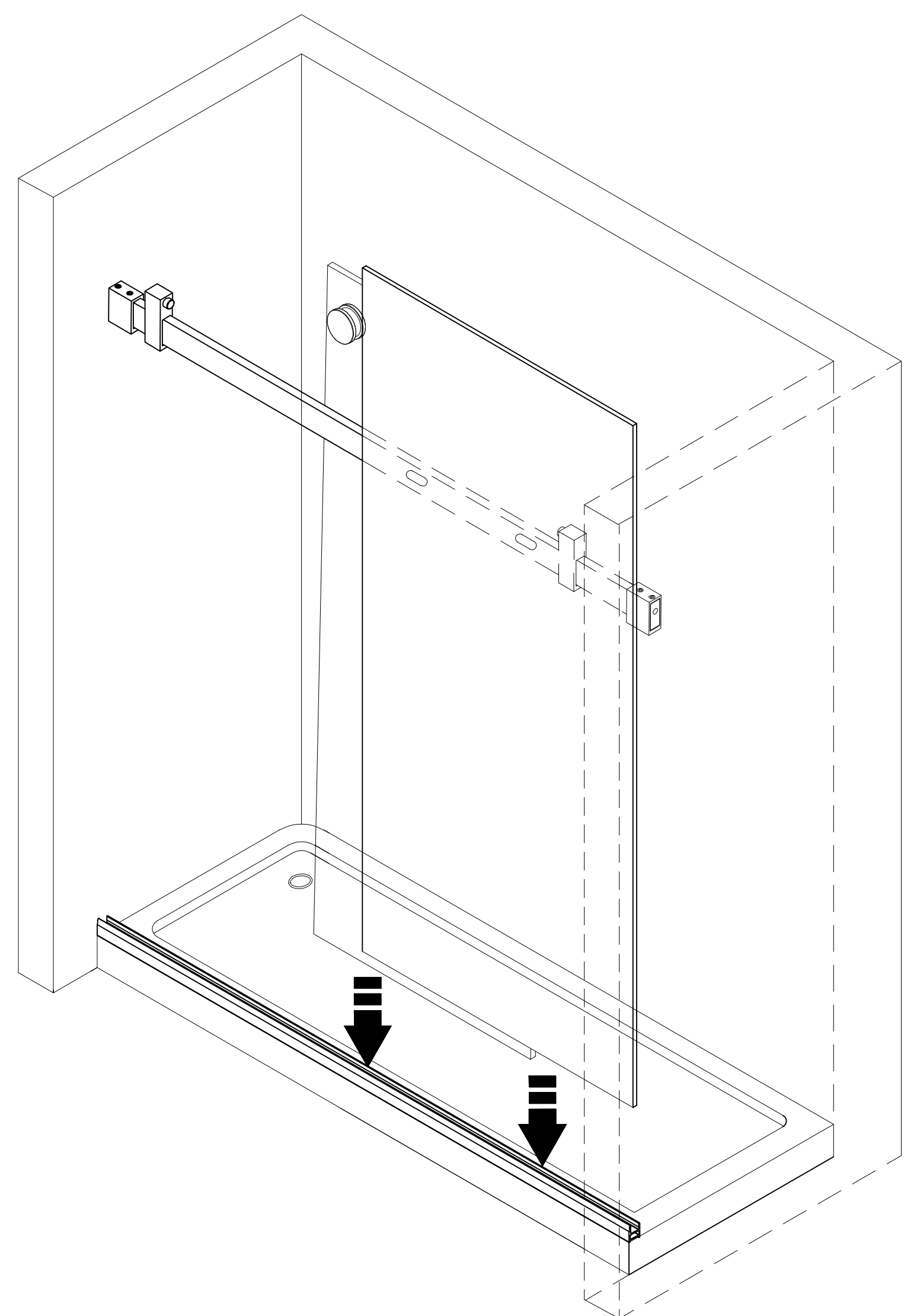
The Fix Panel should placed as close to the wall.



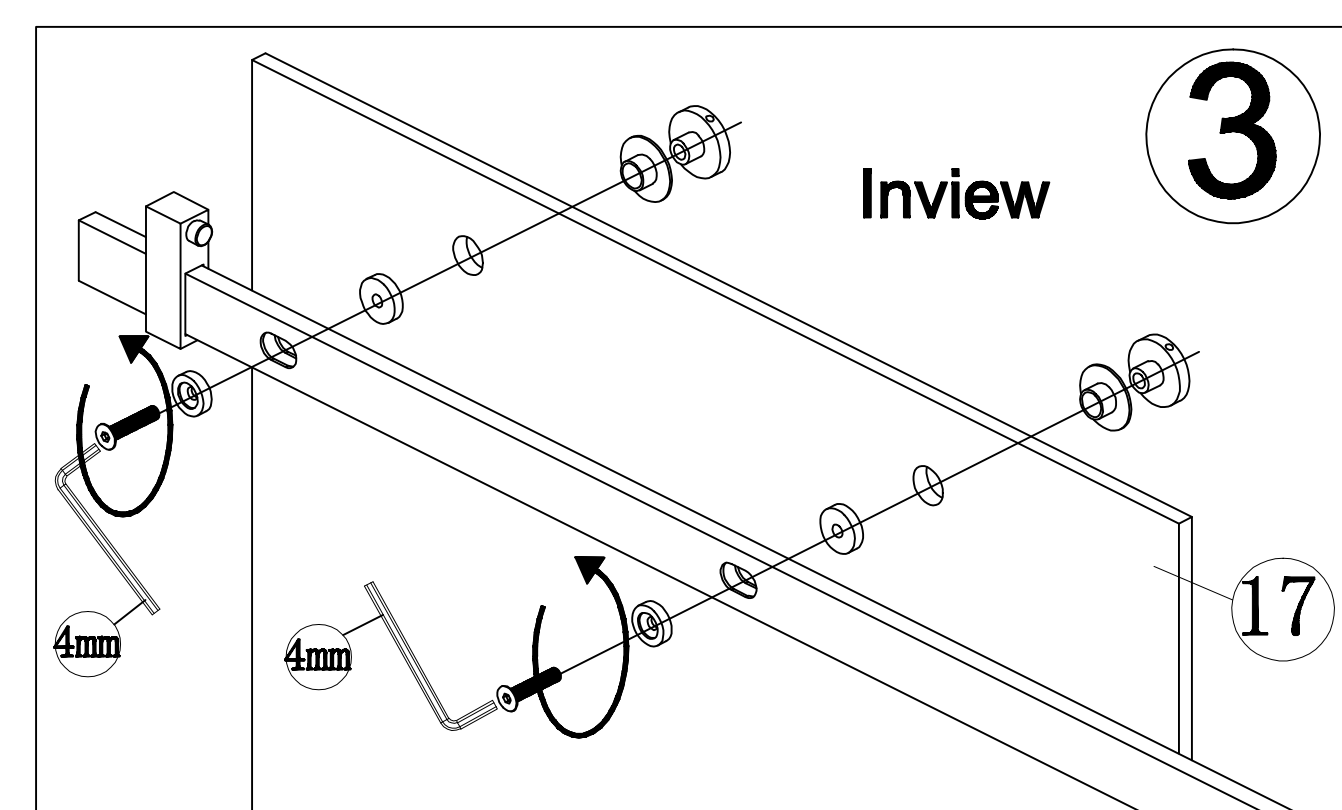
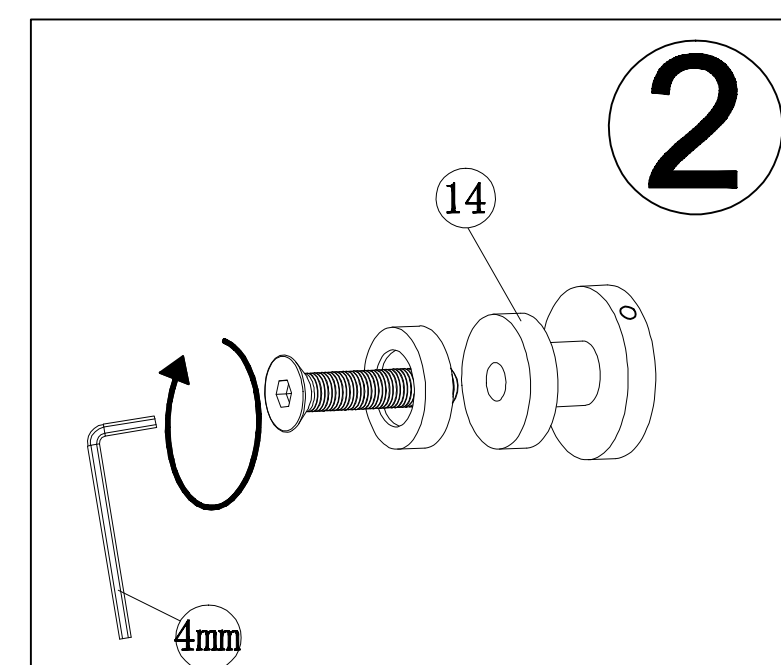
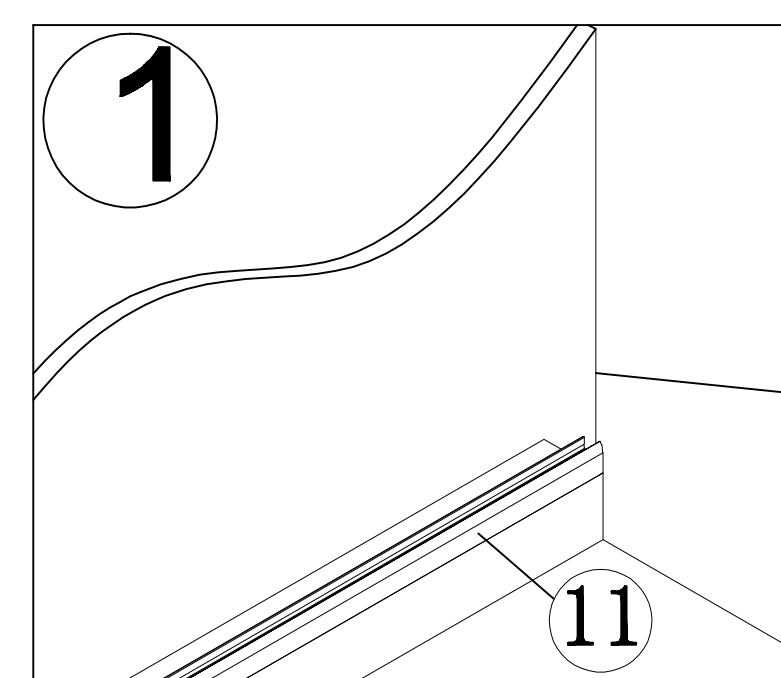
Right Hand Assembly

STEP 9

1. Install Fixed panel(17). Put Fixed panel(17) on Door bottom guide(11). Then push the Fixed panel(17) to the wall. (Note: Fixed panel(17) is on the outside, the Top rail(13) is on the inside)
2. Dismantle Fixed panel fastener(14) use 4mm Allen wrench.
3. Assemble Fixed panel(17) and Top rail(13) together with Fixed panel fastener(14). Then secure the screw use 4mm Allen wrench.



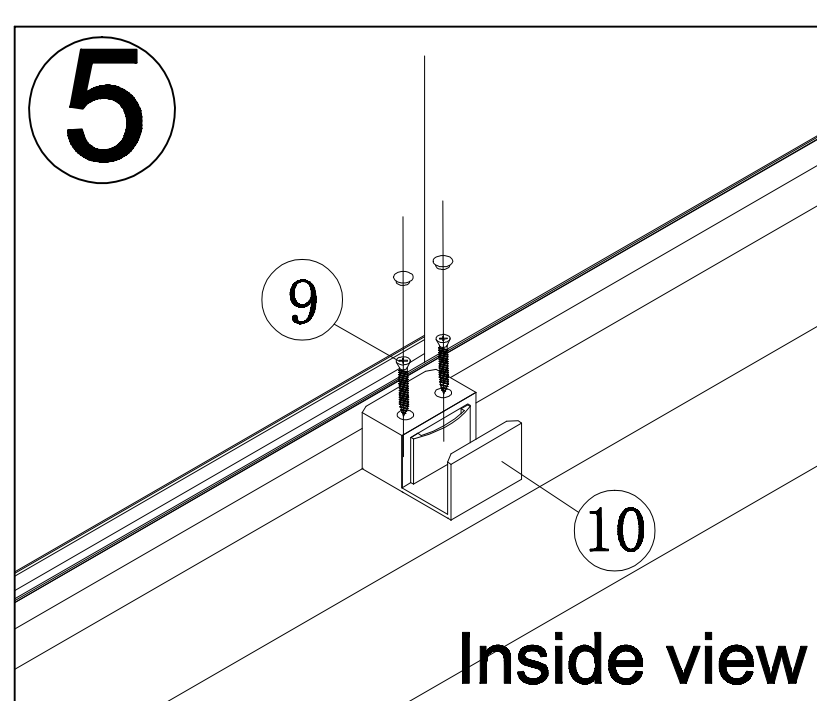
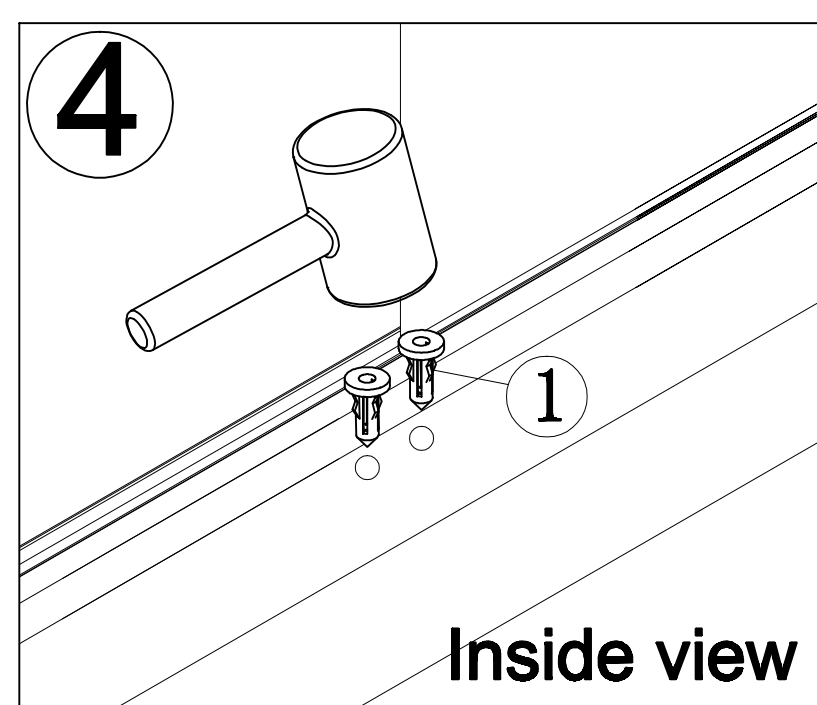
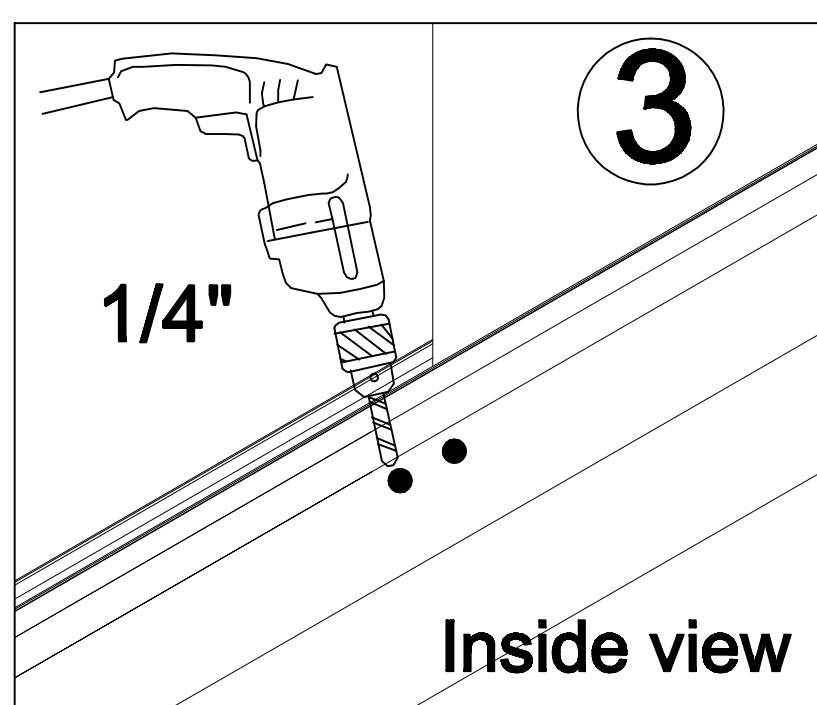
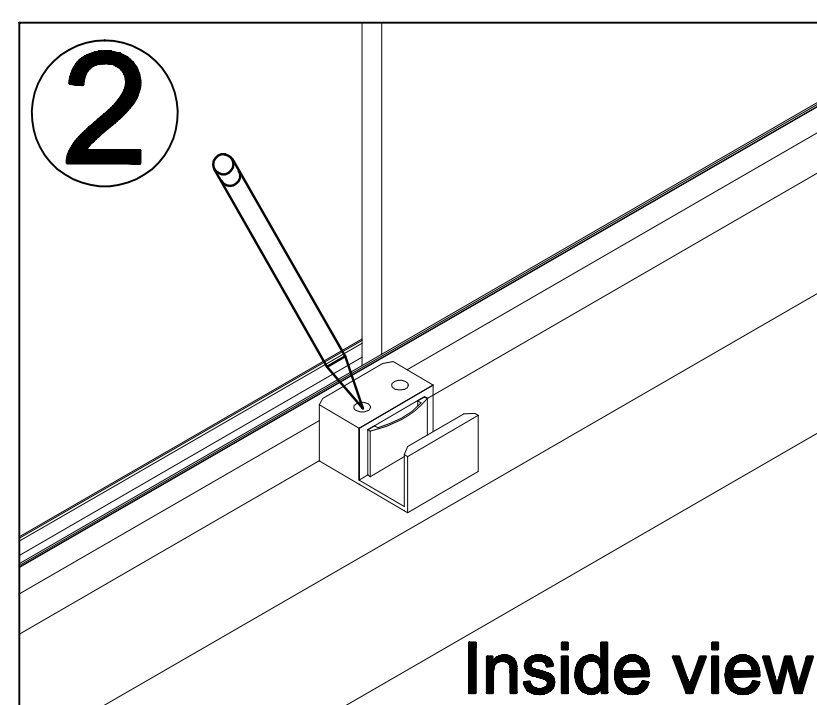
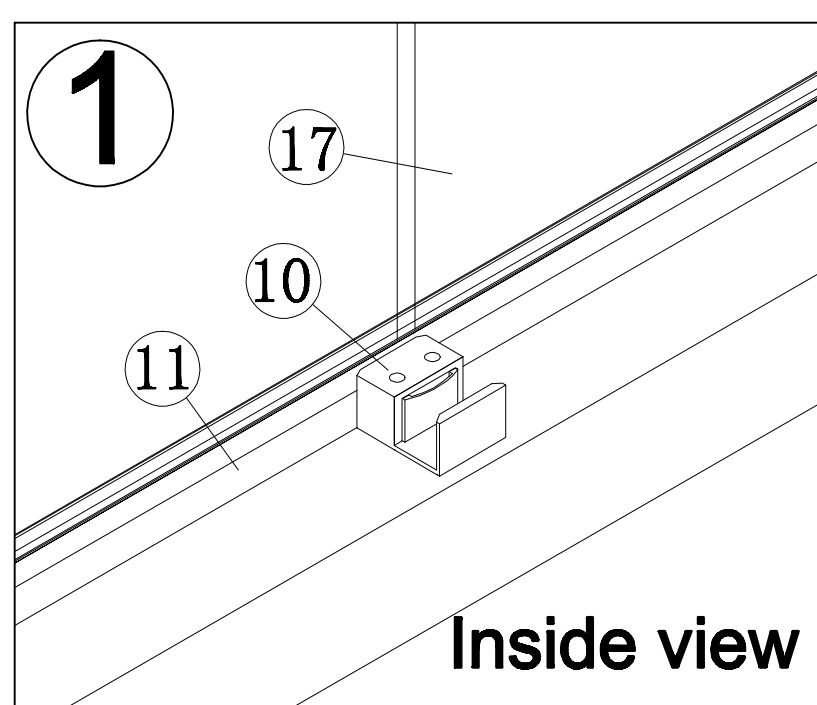
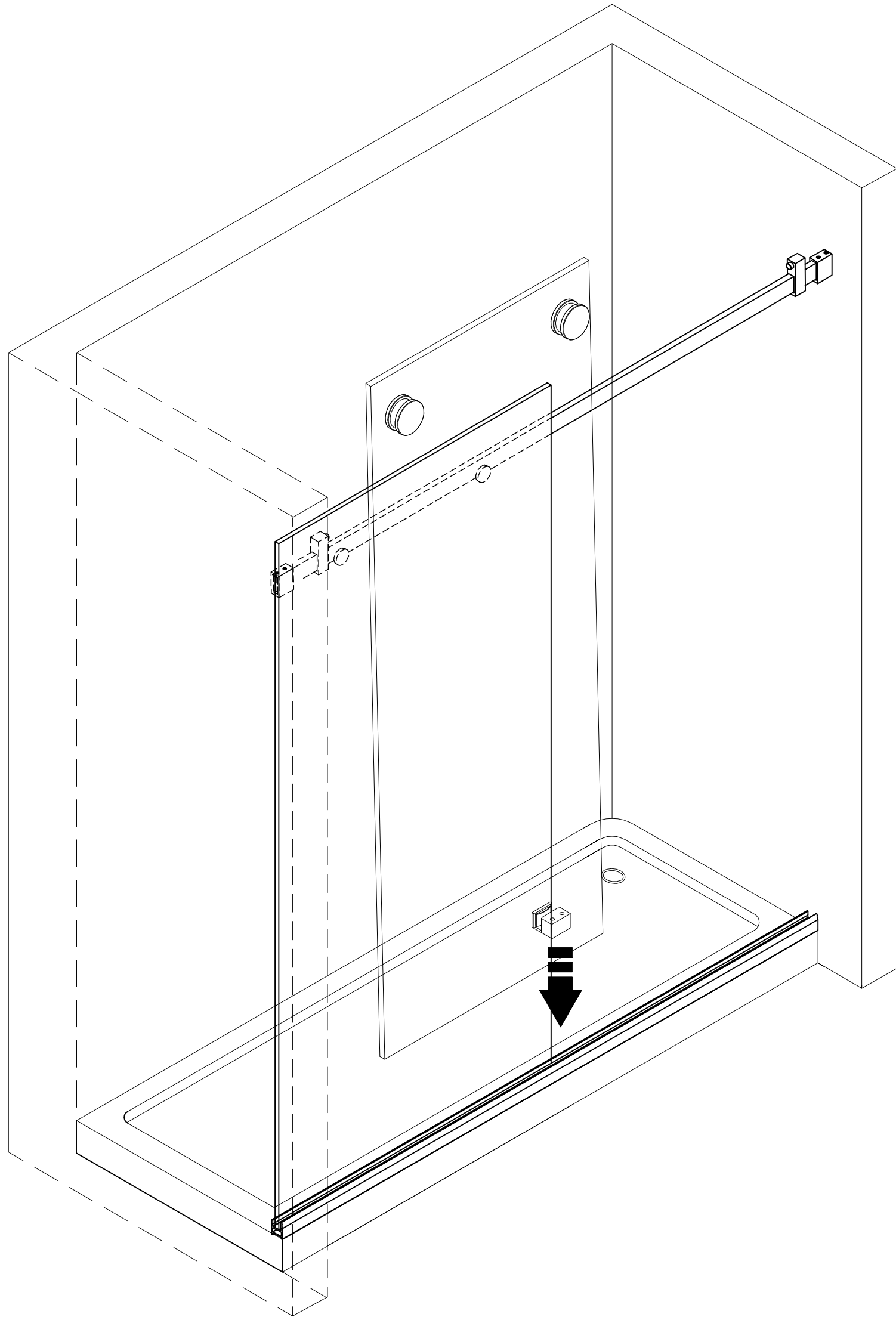
The Fix Panel should placed as close to the wall.



Left Hand Assembly

STEP 10

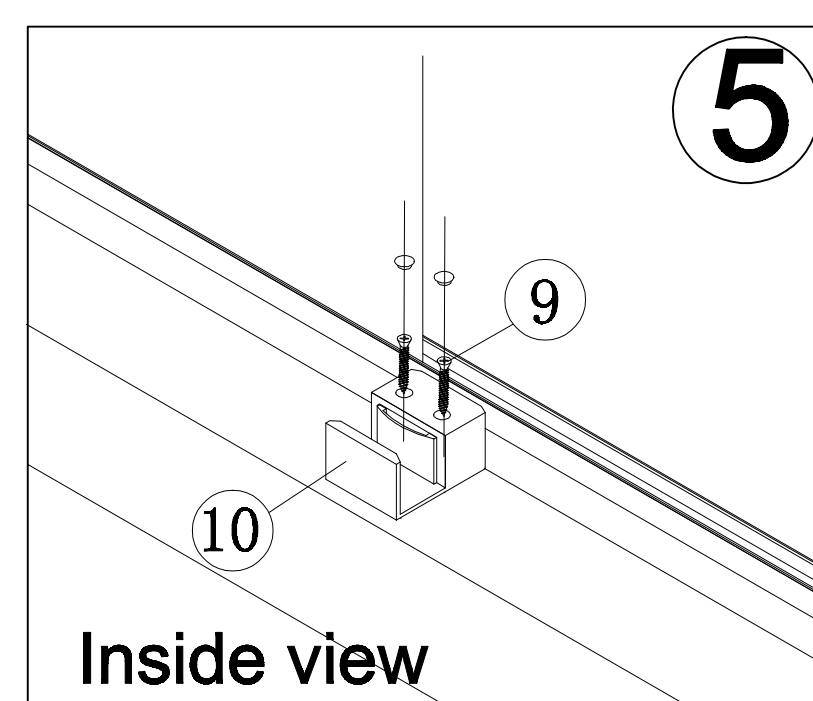
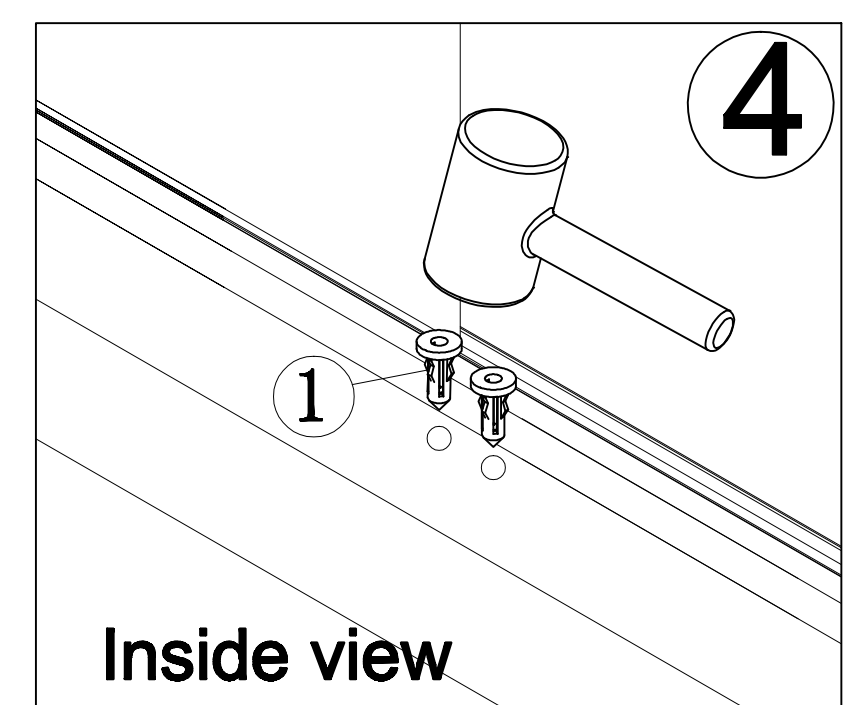
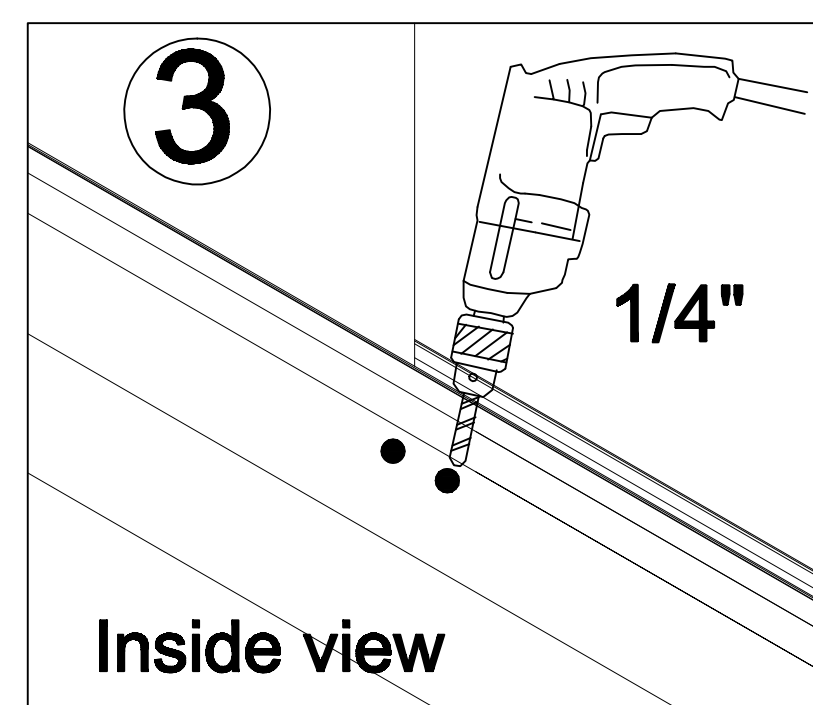
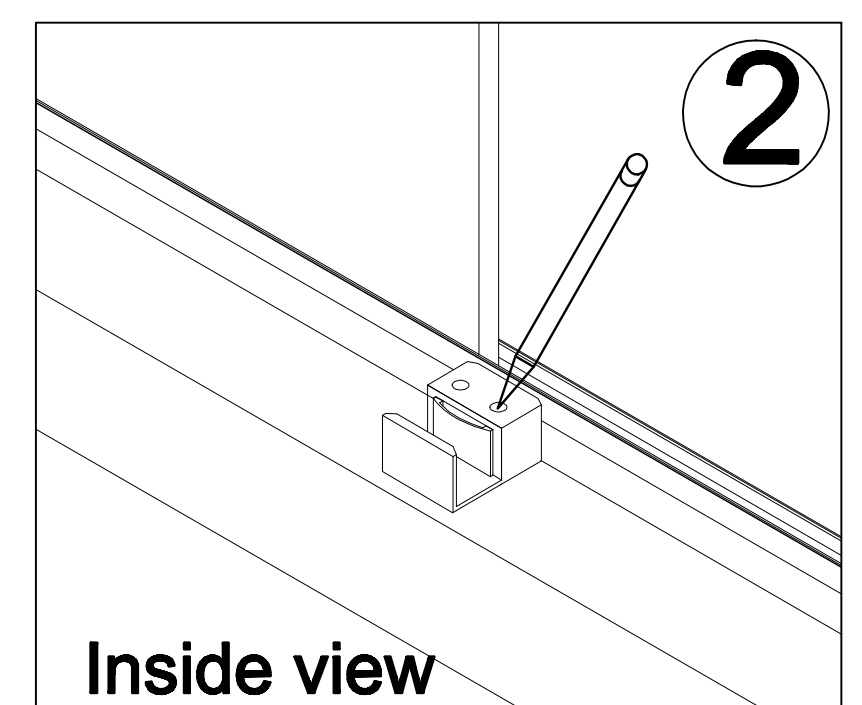
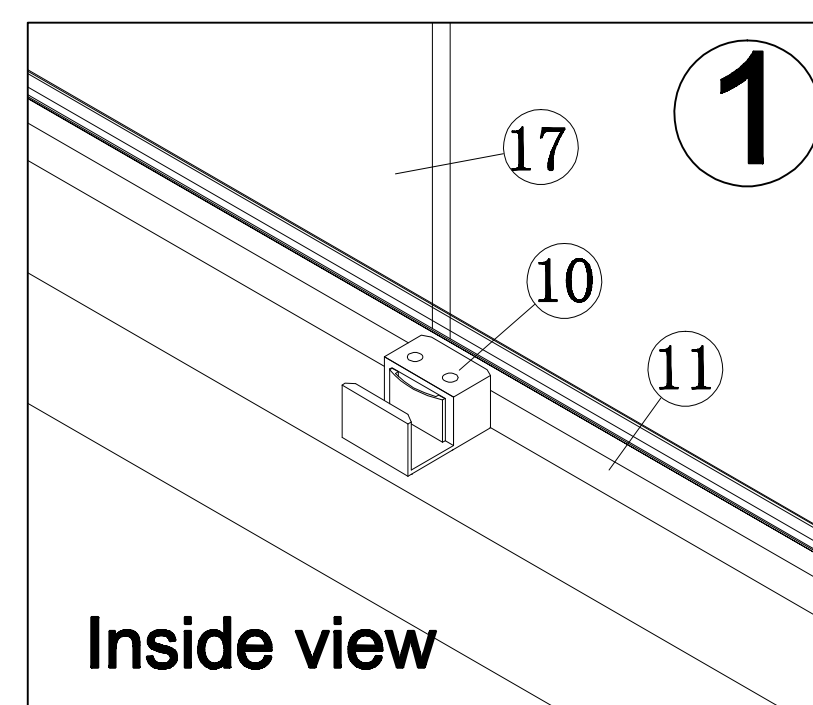
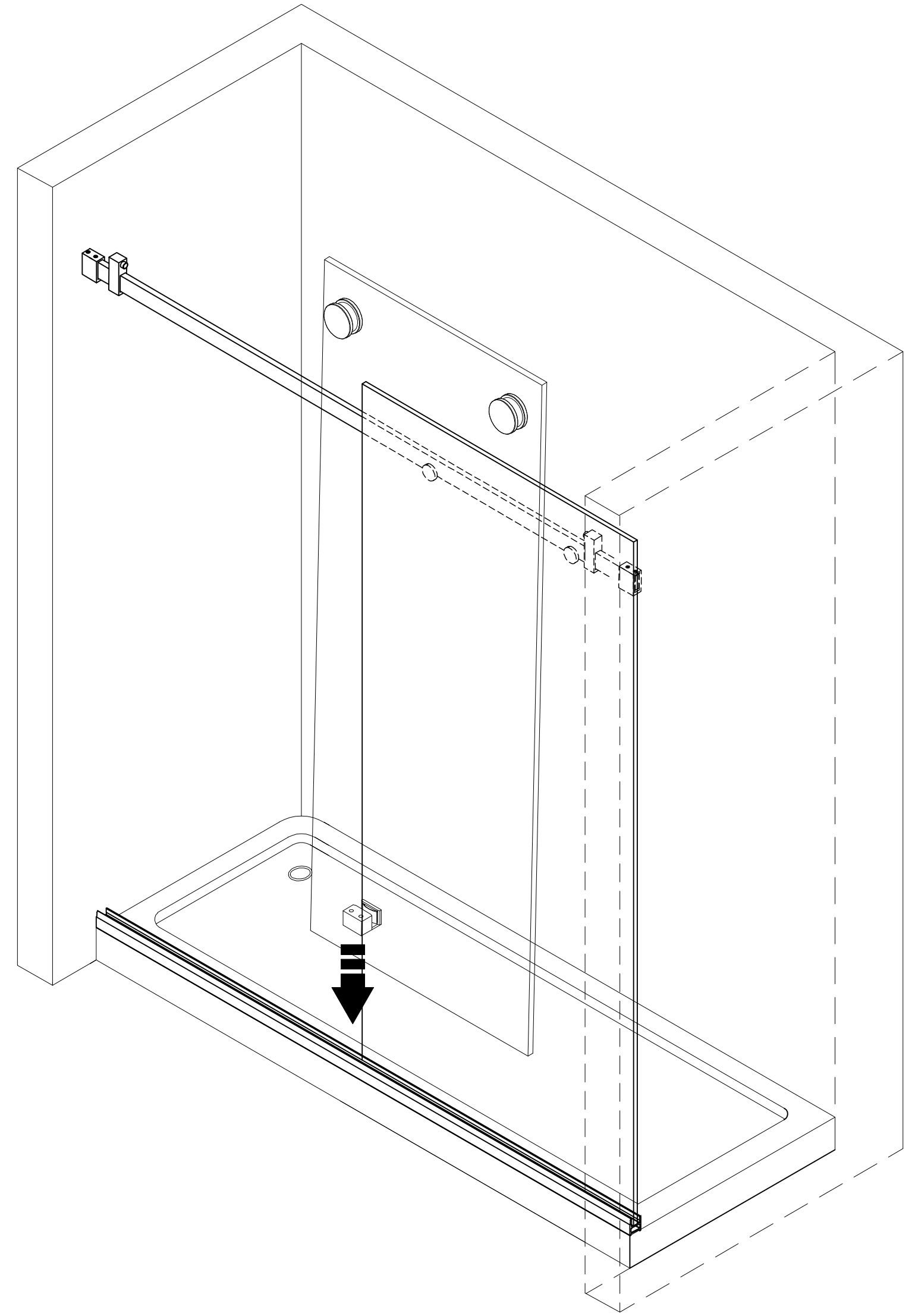
1. Position the Door Guide (10) against the Door Bottom Guide (11) at the end of the Fix Panel. (see Diagram)
2. Use pencil to mark the drill holes of Door Guide (10).
3. Drill the hole on the ground.
4. Use a hammer to guide the Anchor (1) inside of holes.
5. Use 4 x 20 self-tapping screws (9) to secure the Door Guide.



Right Hand Assembly

STEP 10

1. Position the Door Guide (10) against the Door Bottom Guide (11) at the end of the Fix Panel. (see Diagram)
2. Use pencil to mark the drill holes of Door Guide (10).
3. Drill the hole on the ground.
4. Use a hammer to guide the Anchor (1) inside of holes.
5. Use 4 x 20 self-tapping screws (9) to secure the Door Guide.

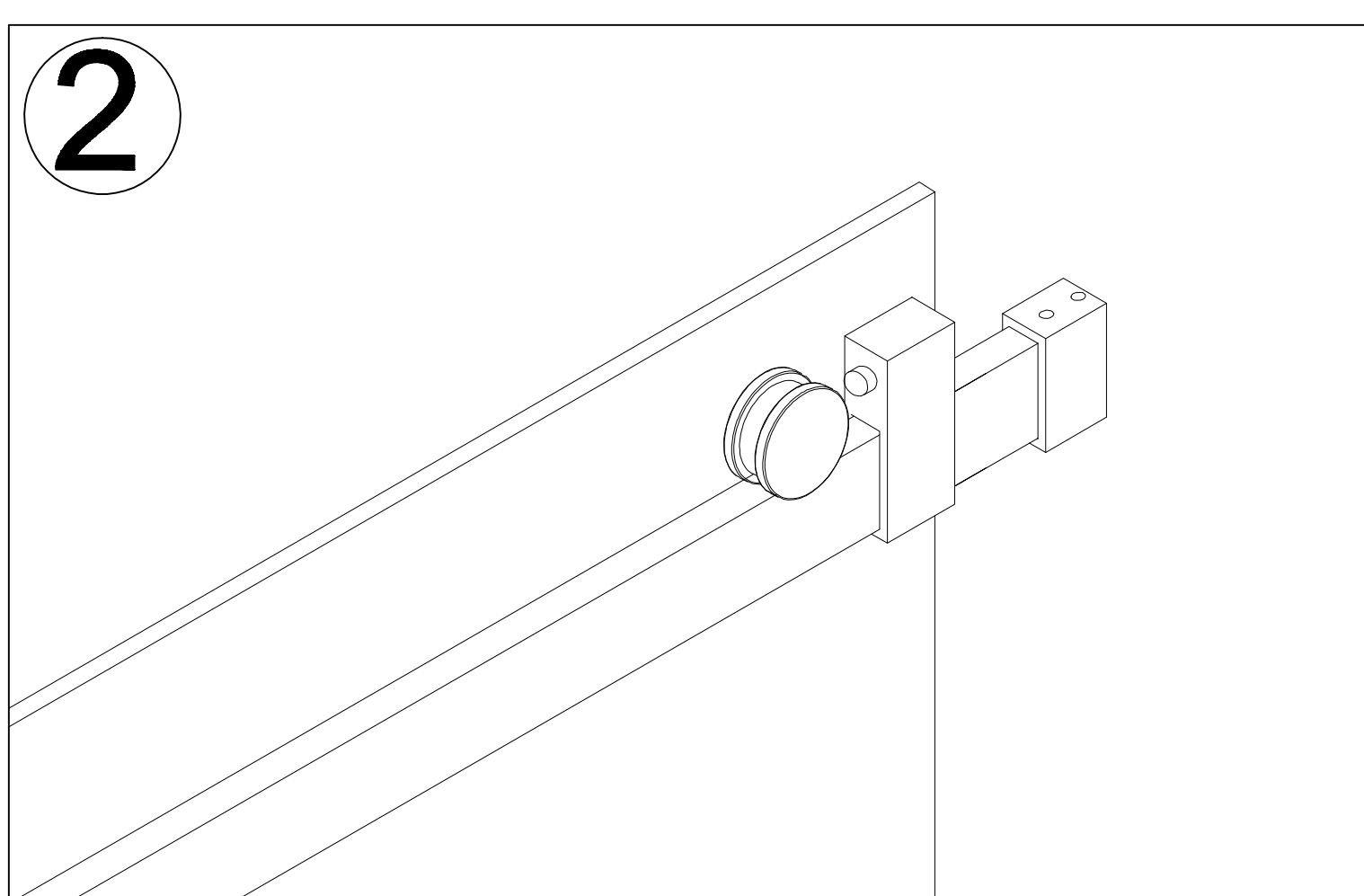
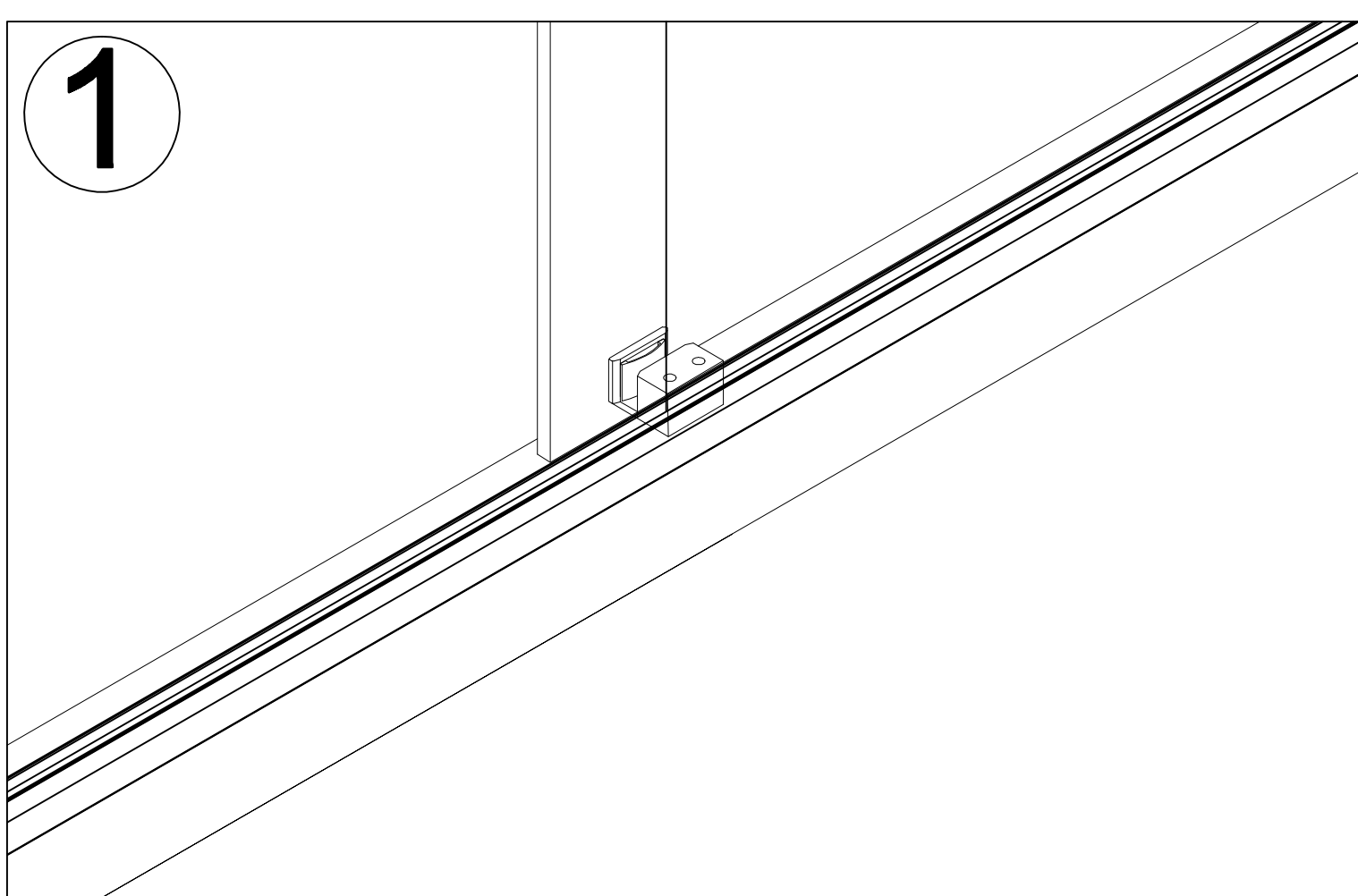
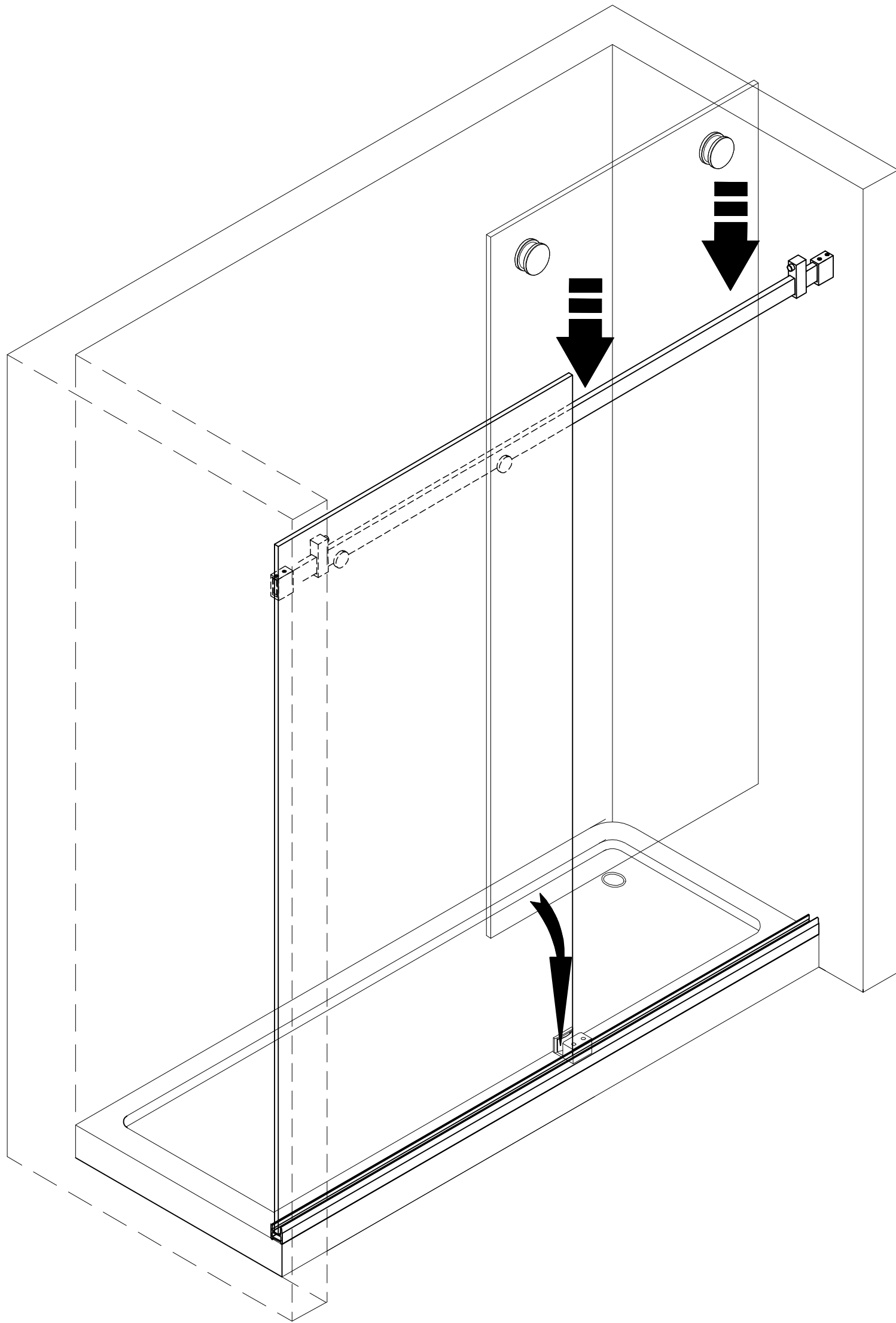


Left Hand Assembly

STEP 11

1. Make sure the bottom of the Roller Door(5) inserts onto the Door Guide(10).

2. Hang the Roller Door(5) onto the Top Rail(13).

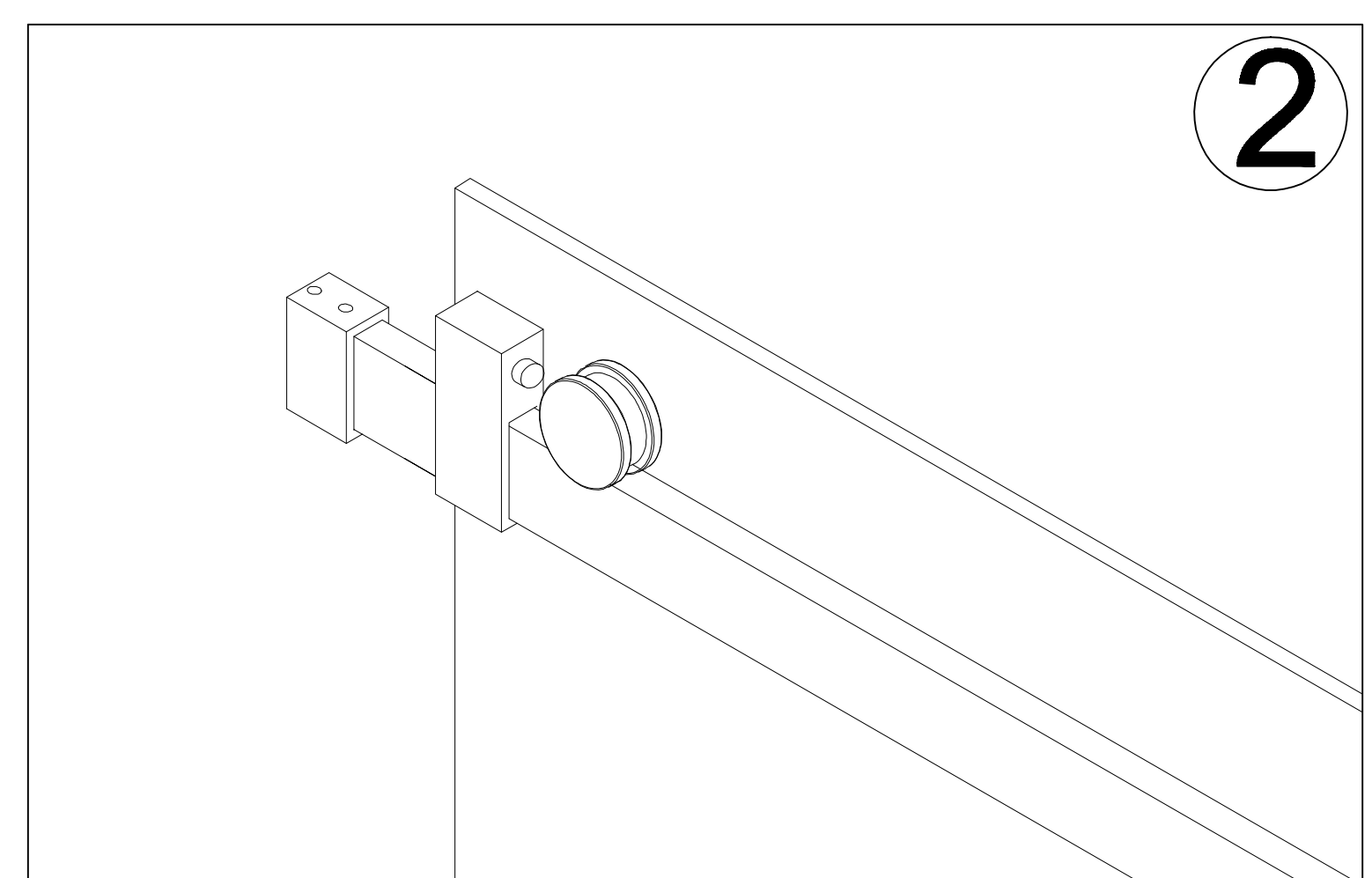
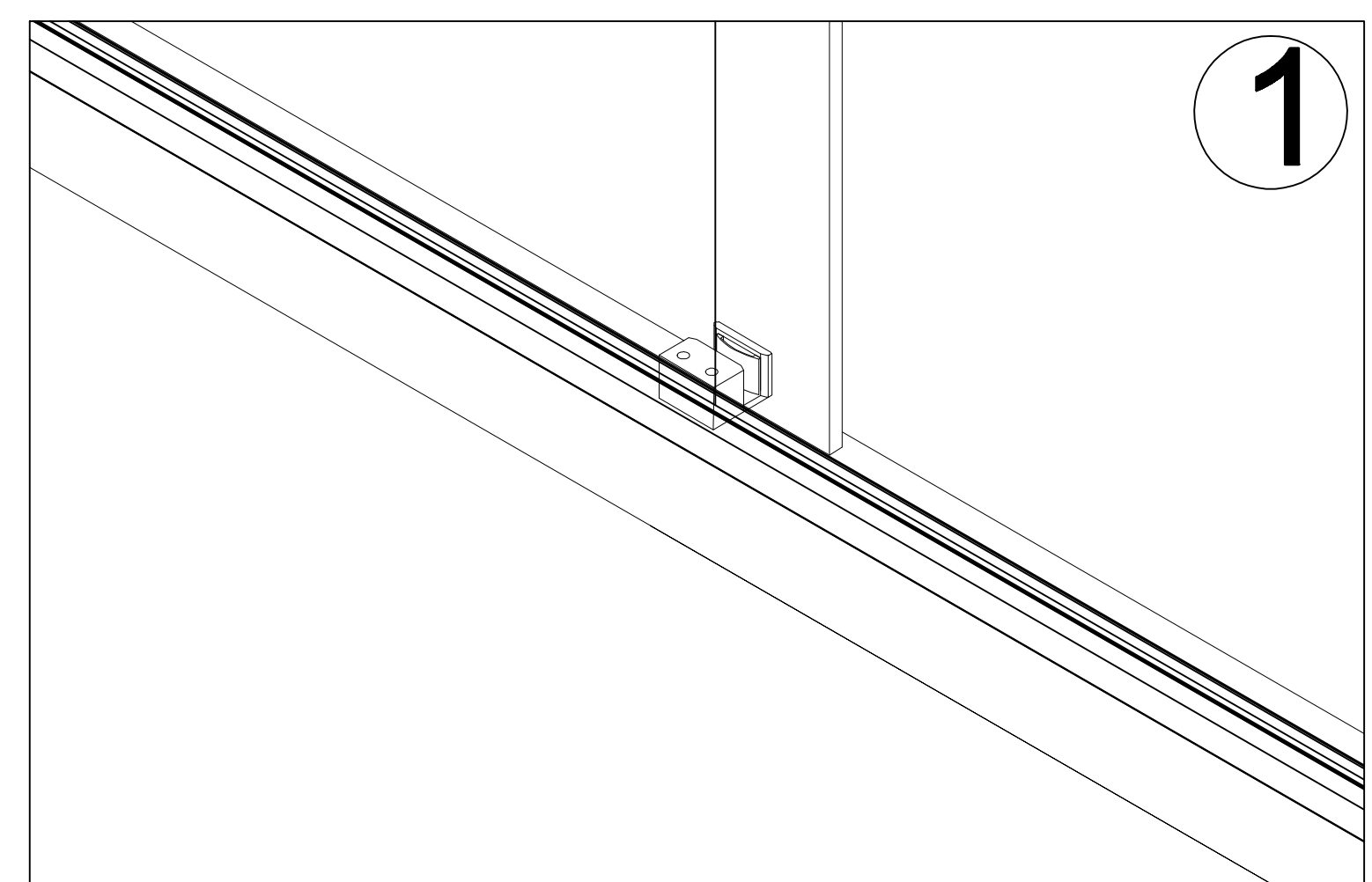
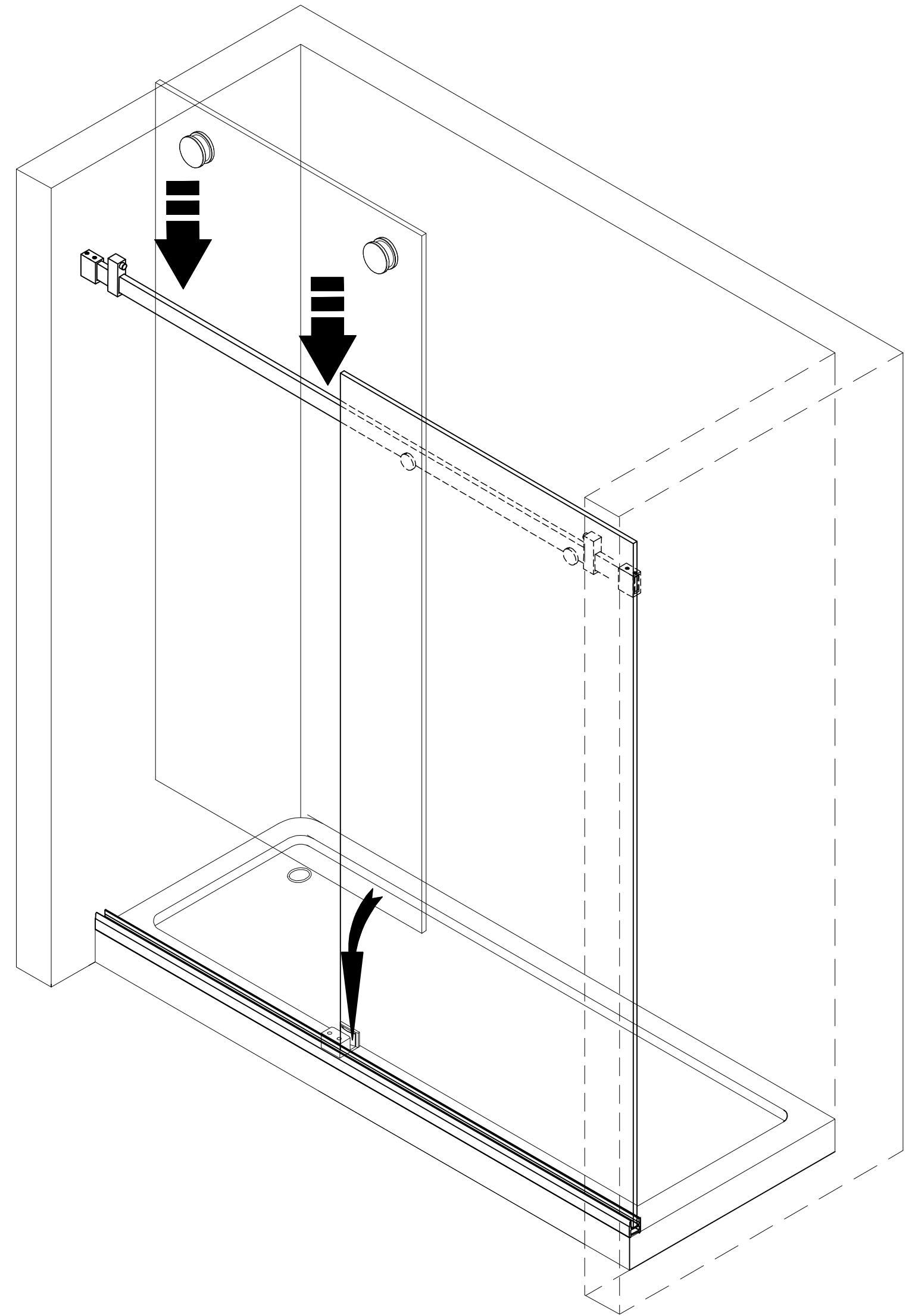


Right Hand Assembly

STEP 11

1. Make sure the bottom of the Roller Door(5) inserts onto the Door Guide(10).

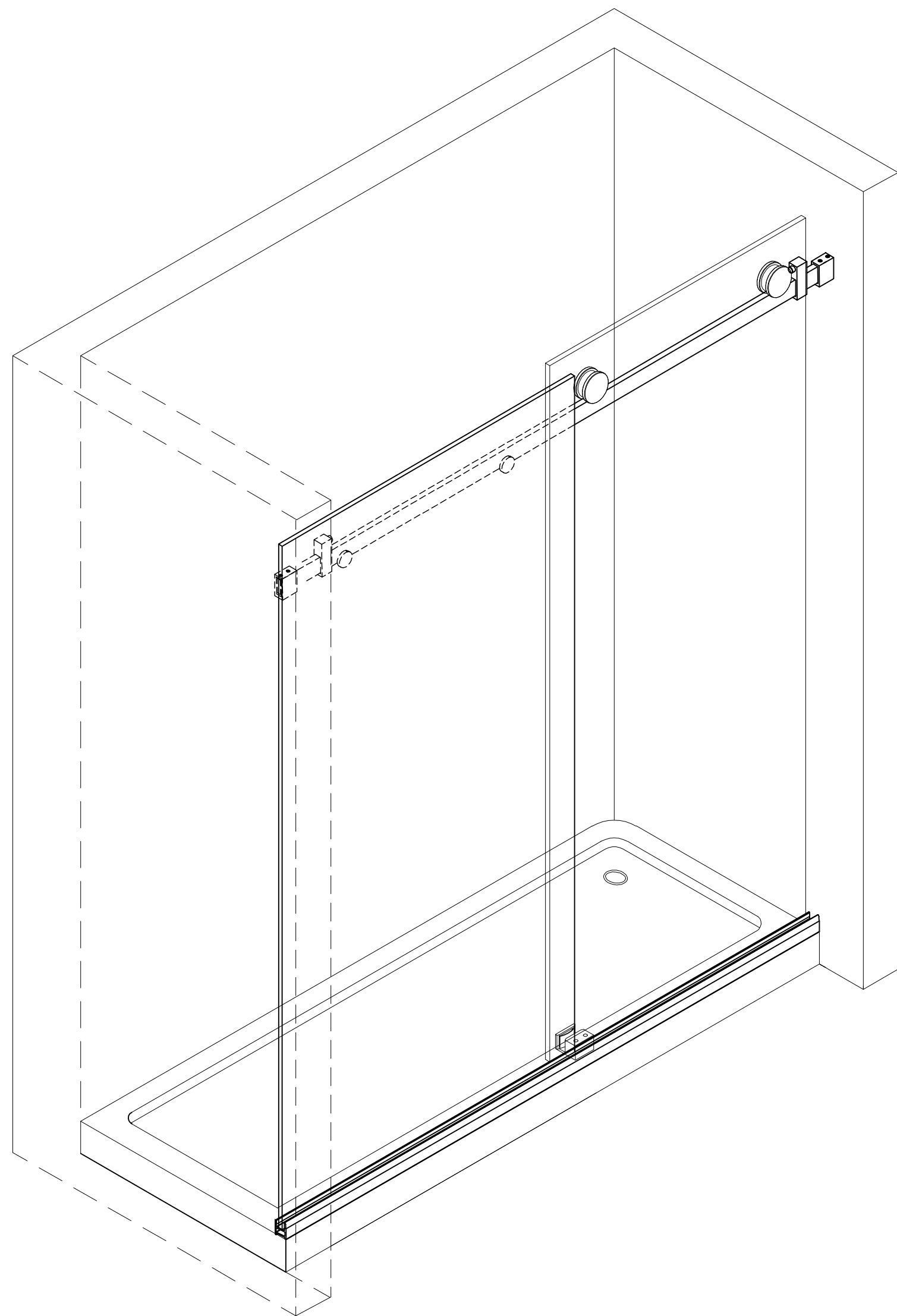
2. Hang the Roller Door(5) onto the Top Rail(13).



Left Hand Assembly

STEP 12

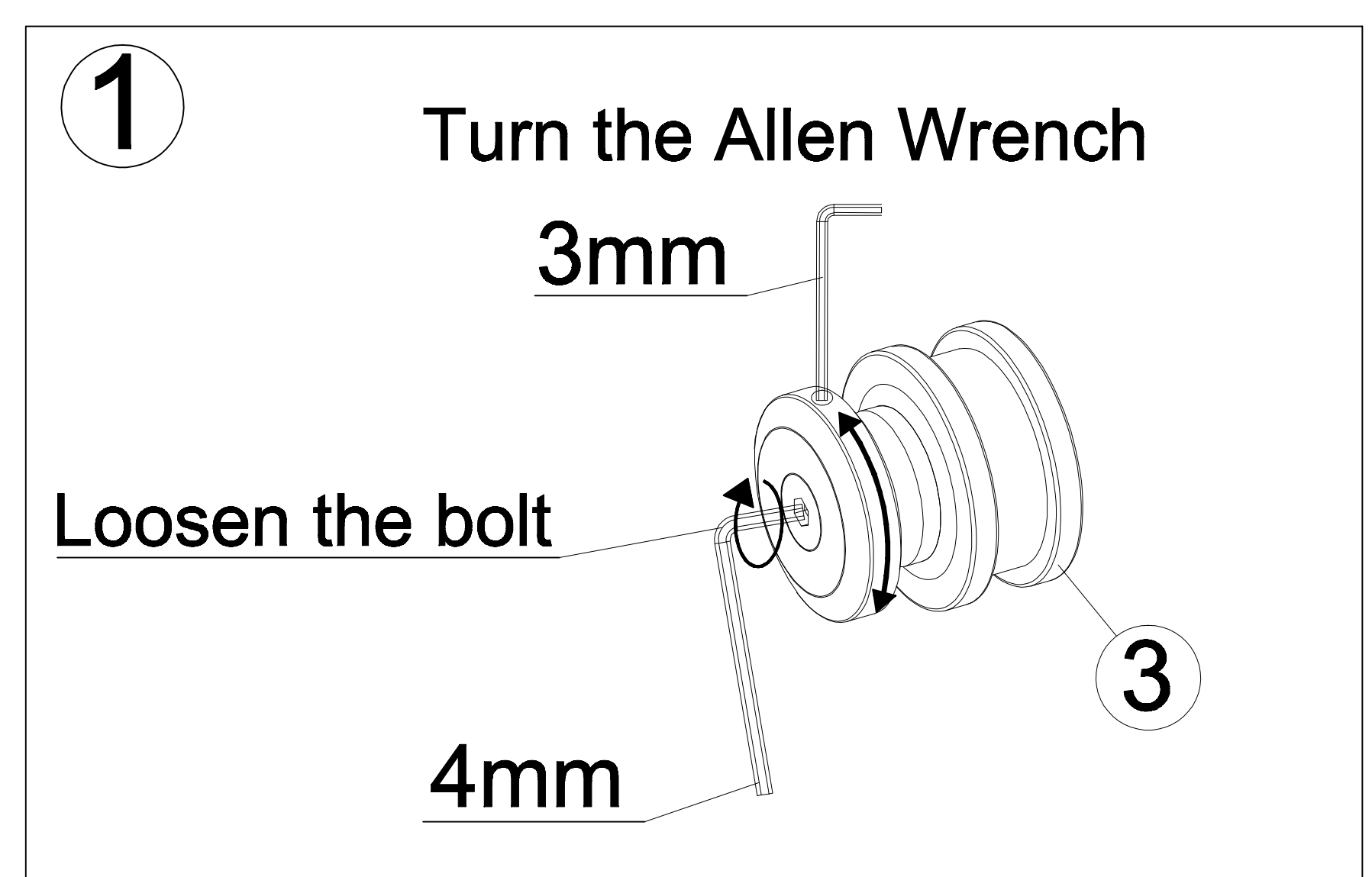
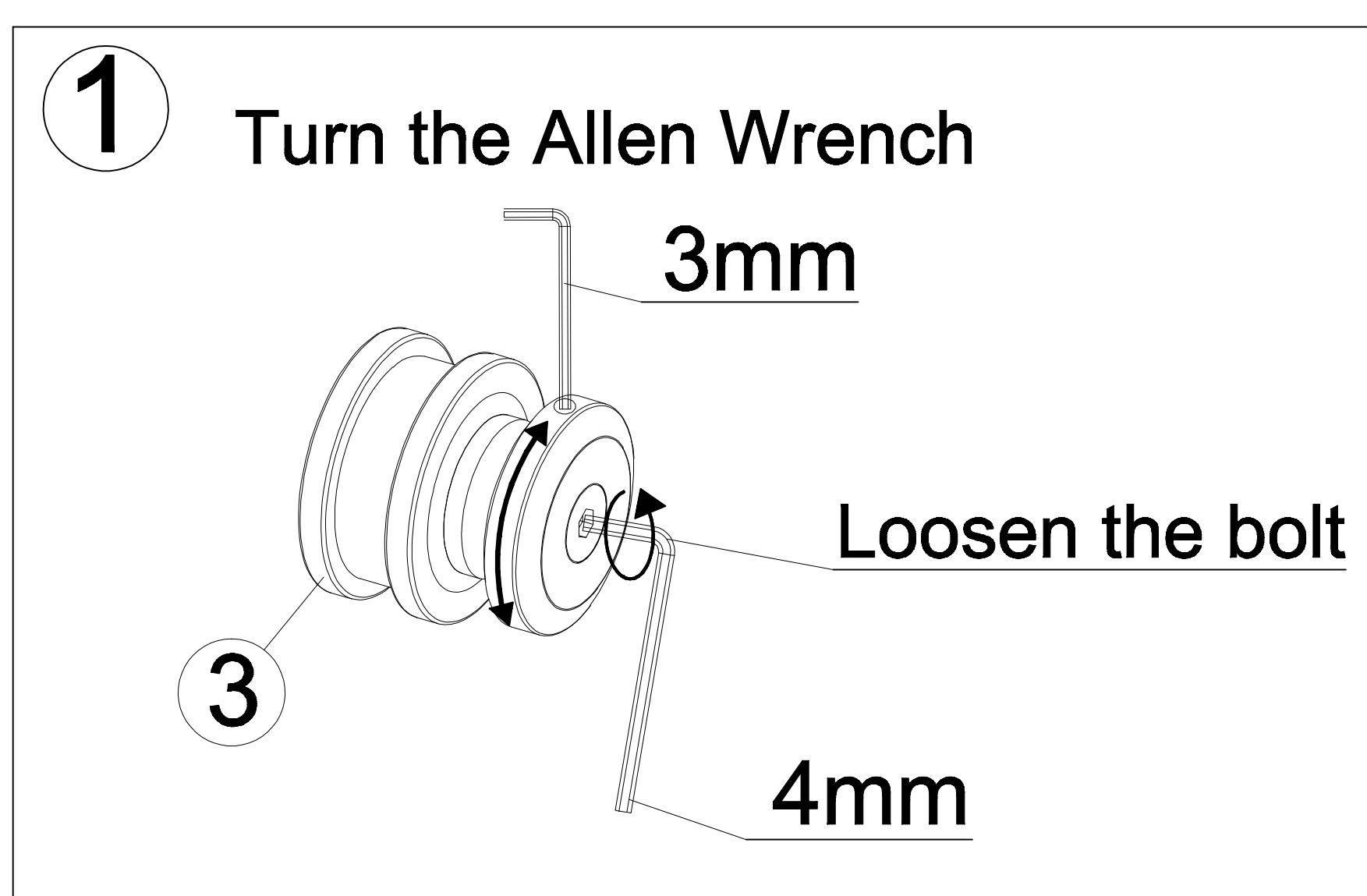
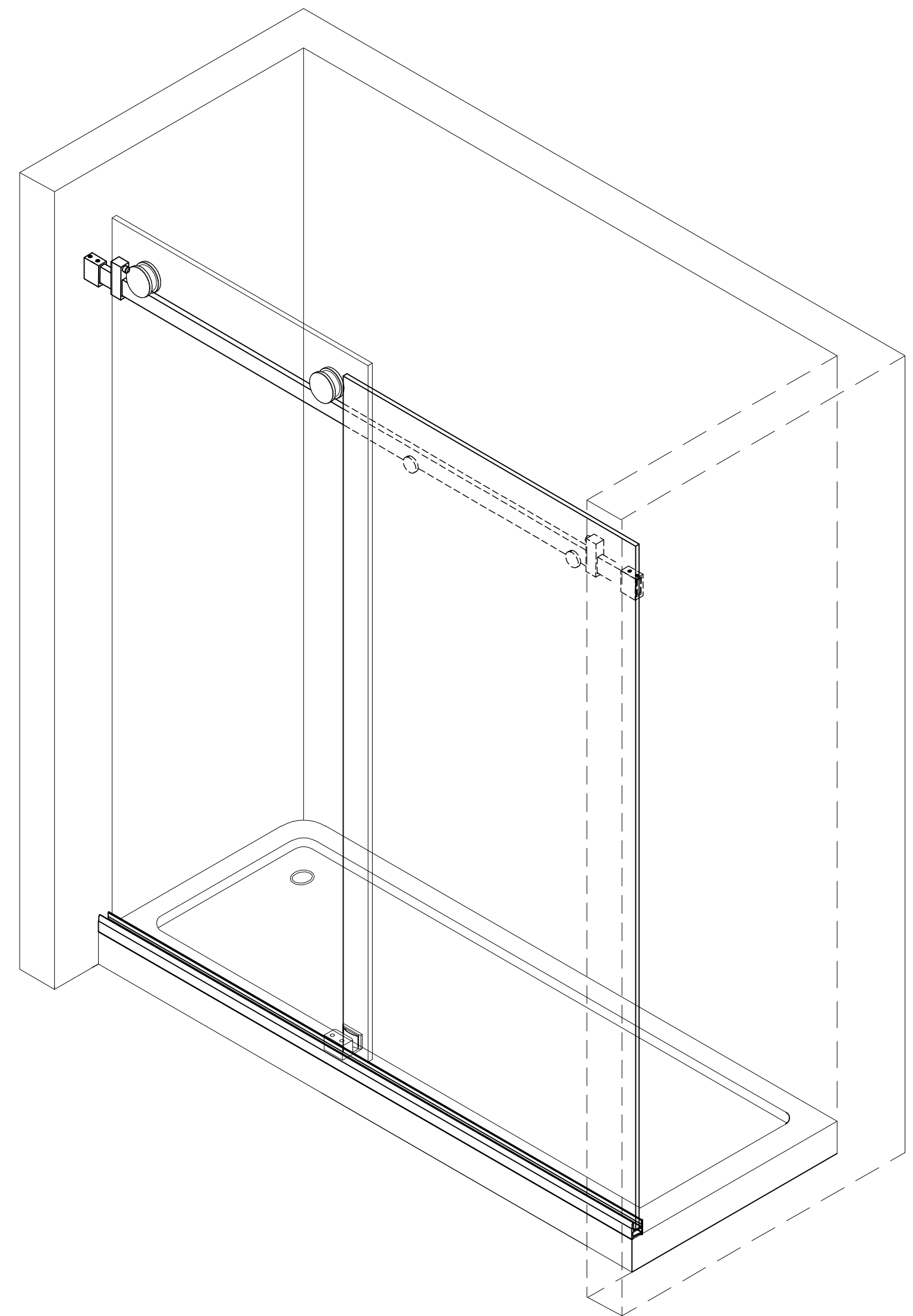
1. Adjust the Adjustable Roller by use 4 mm and 3mm Allen Wrench on the same time. The Roller door could be adjusted higher or lower by use the Adjustable Roller.



Right Hand Assembly

STEP 12

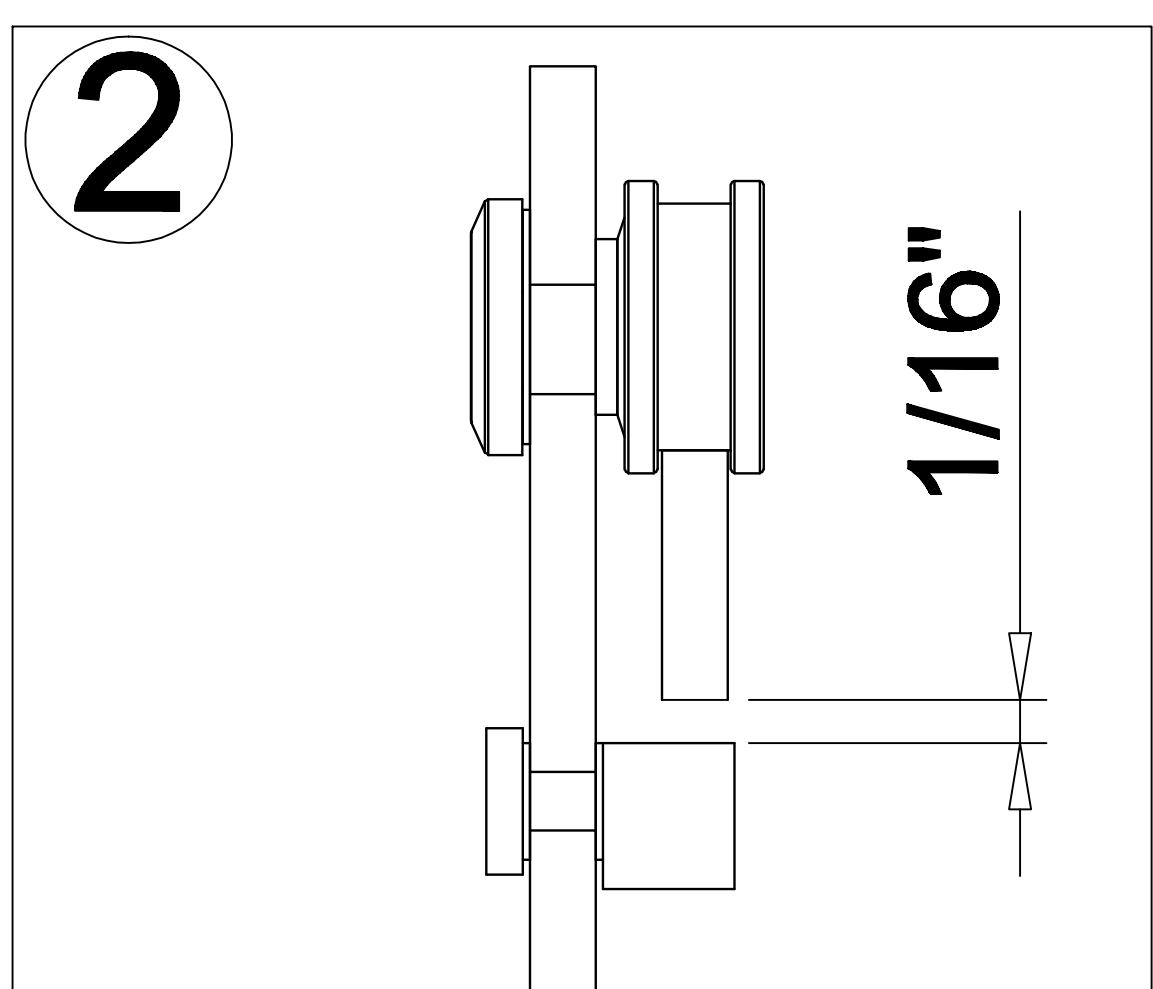
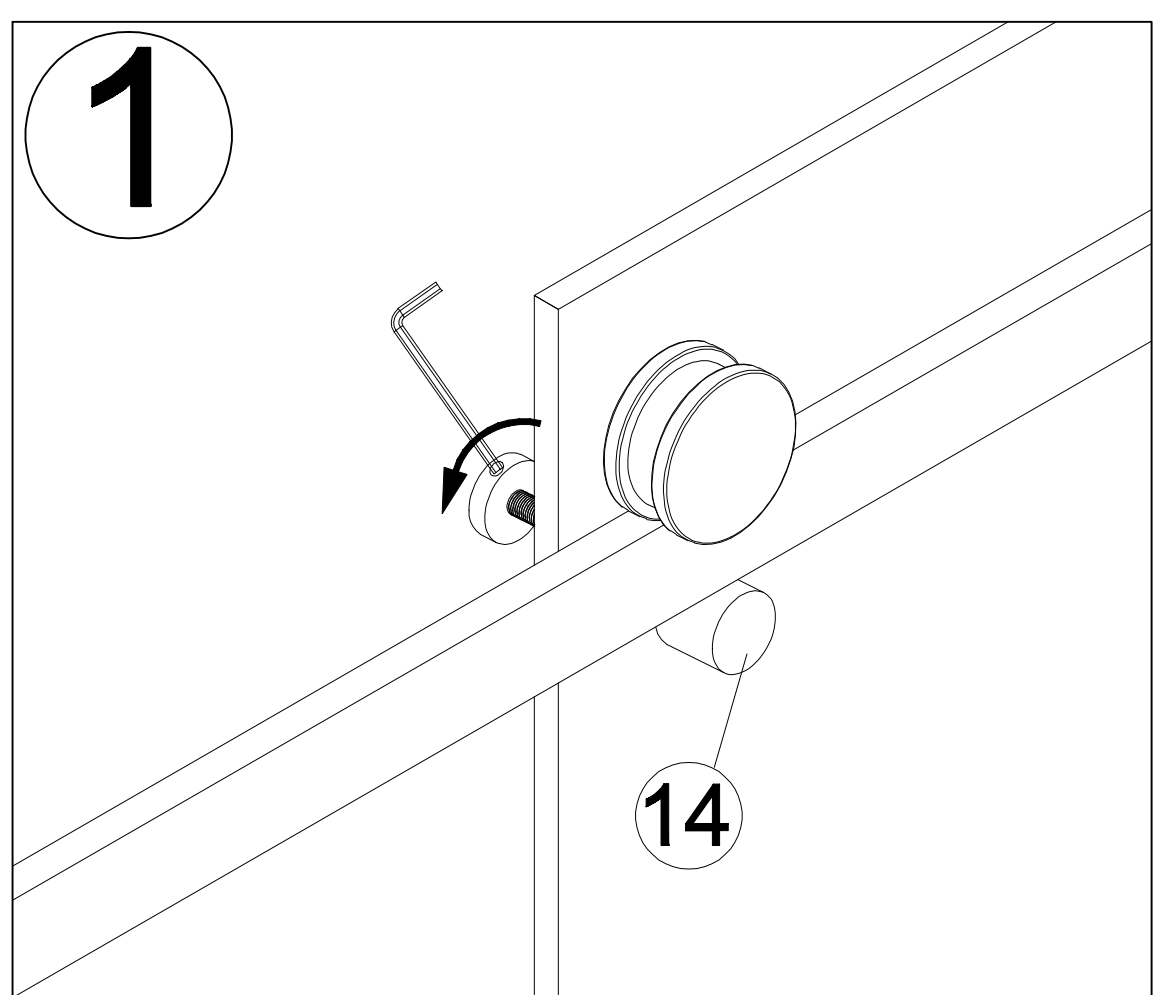
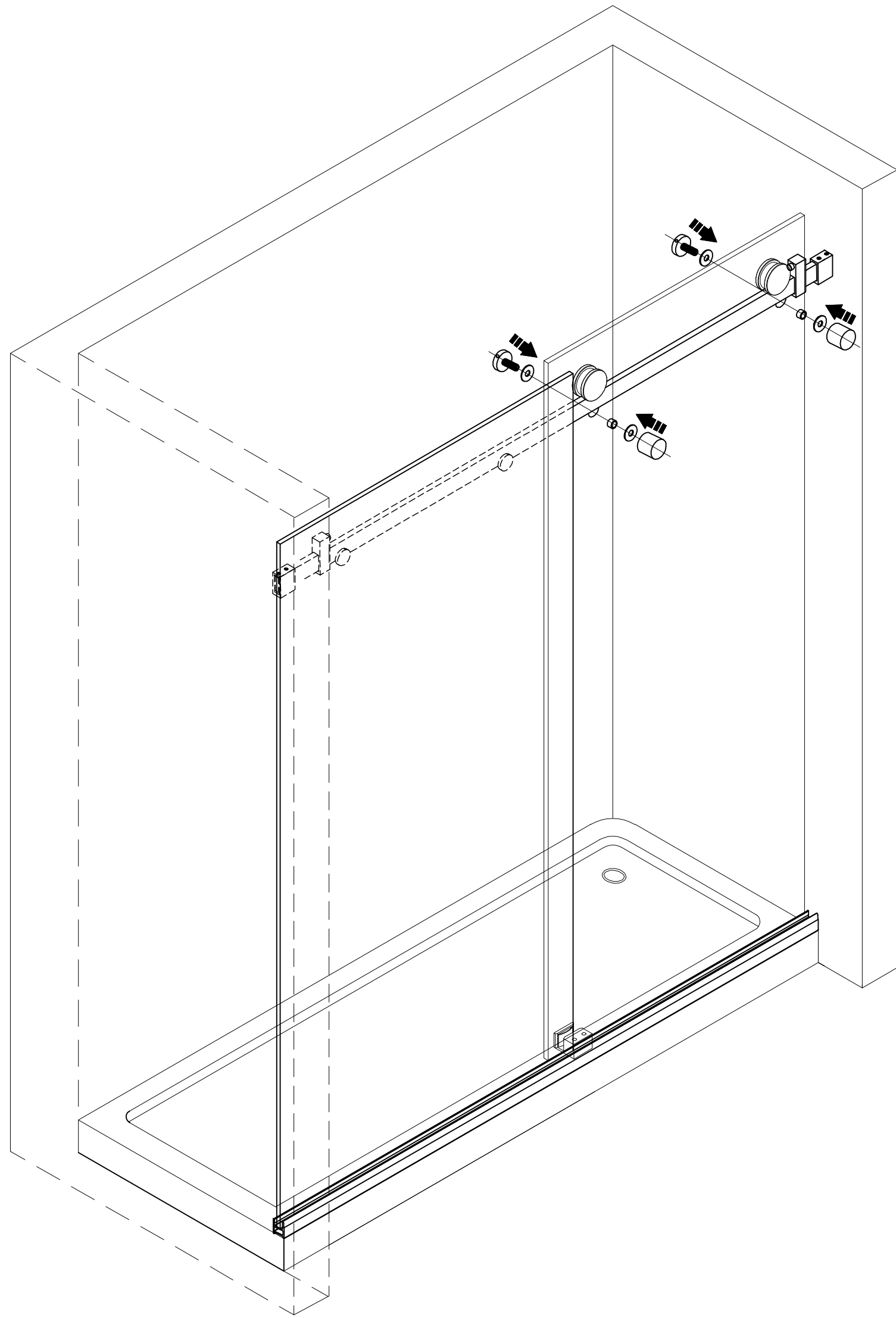
1. Adjust the Adjustable Roller by use 4 mm and 3mm Allen Wrench on the same time. The Roller door could be adjusted higher or lower by use the Adjustable Roller.



Left Hand Assembly

STEP 13

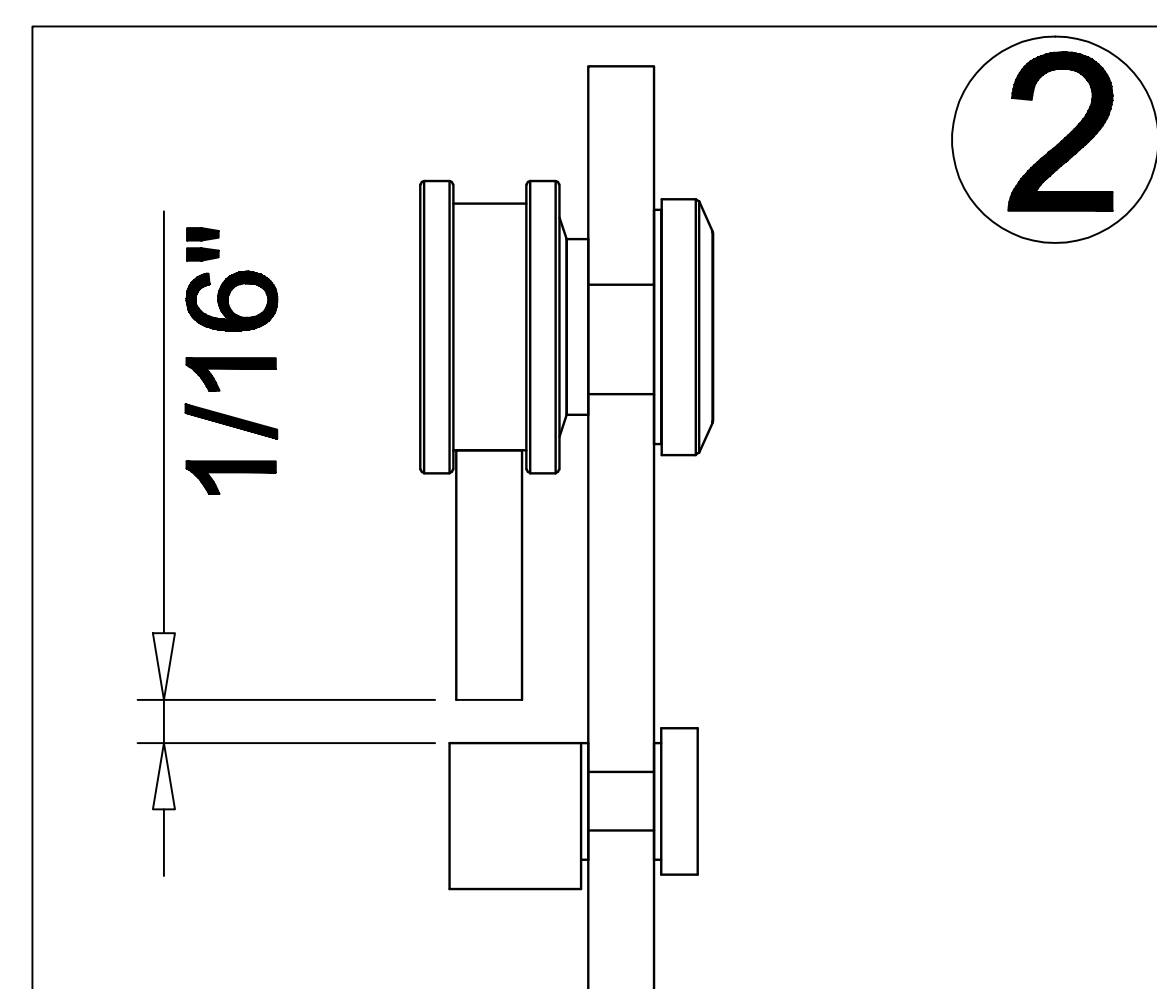
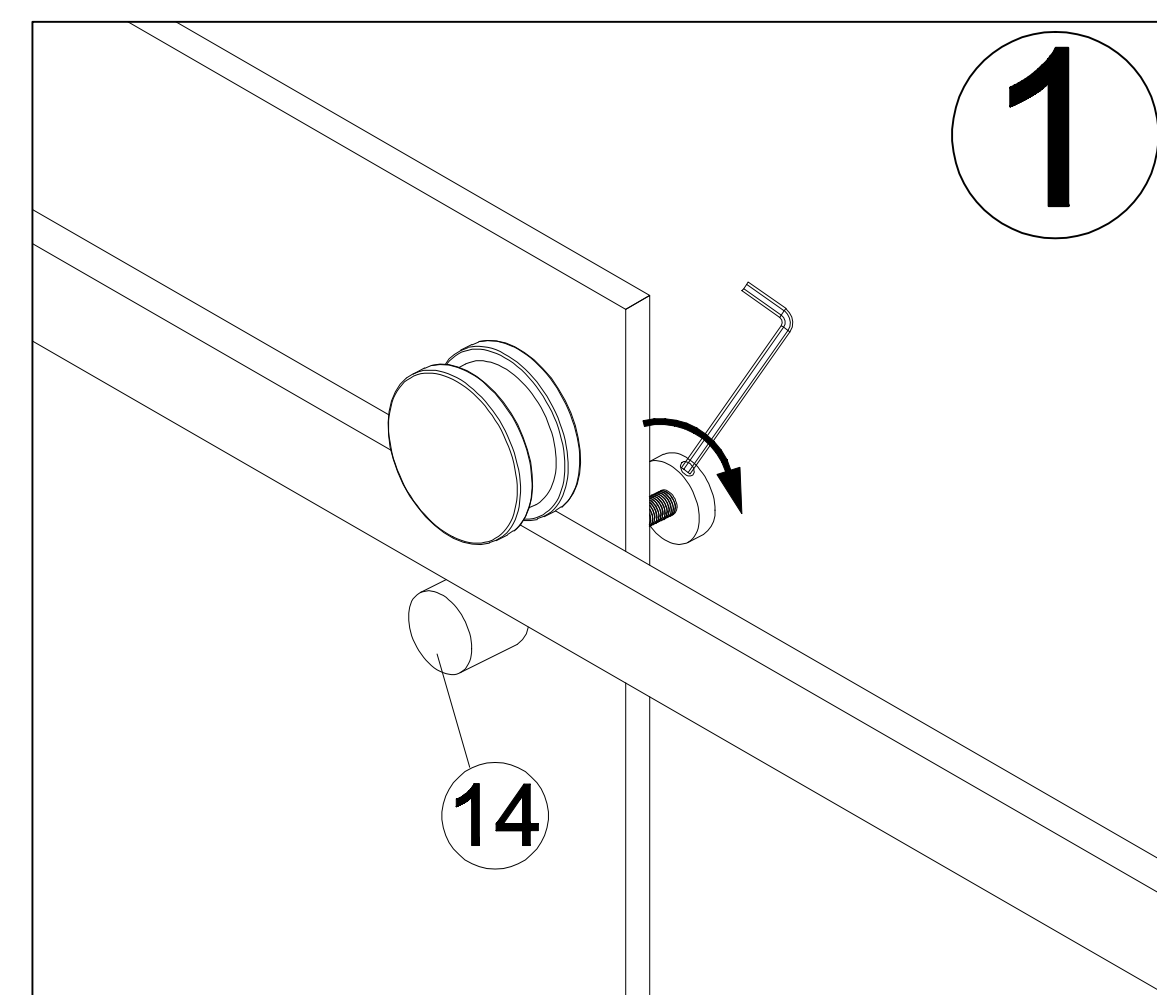
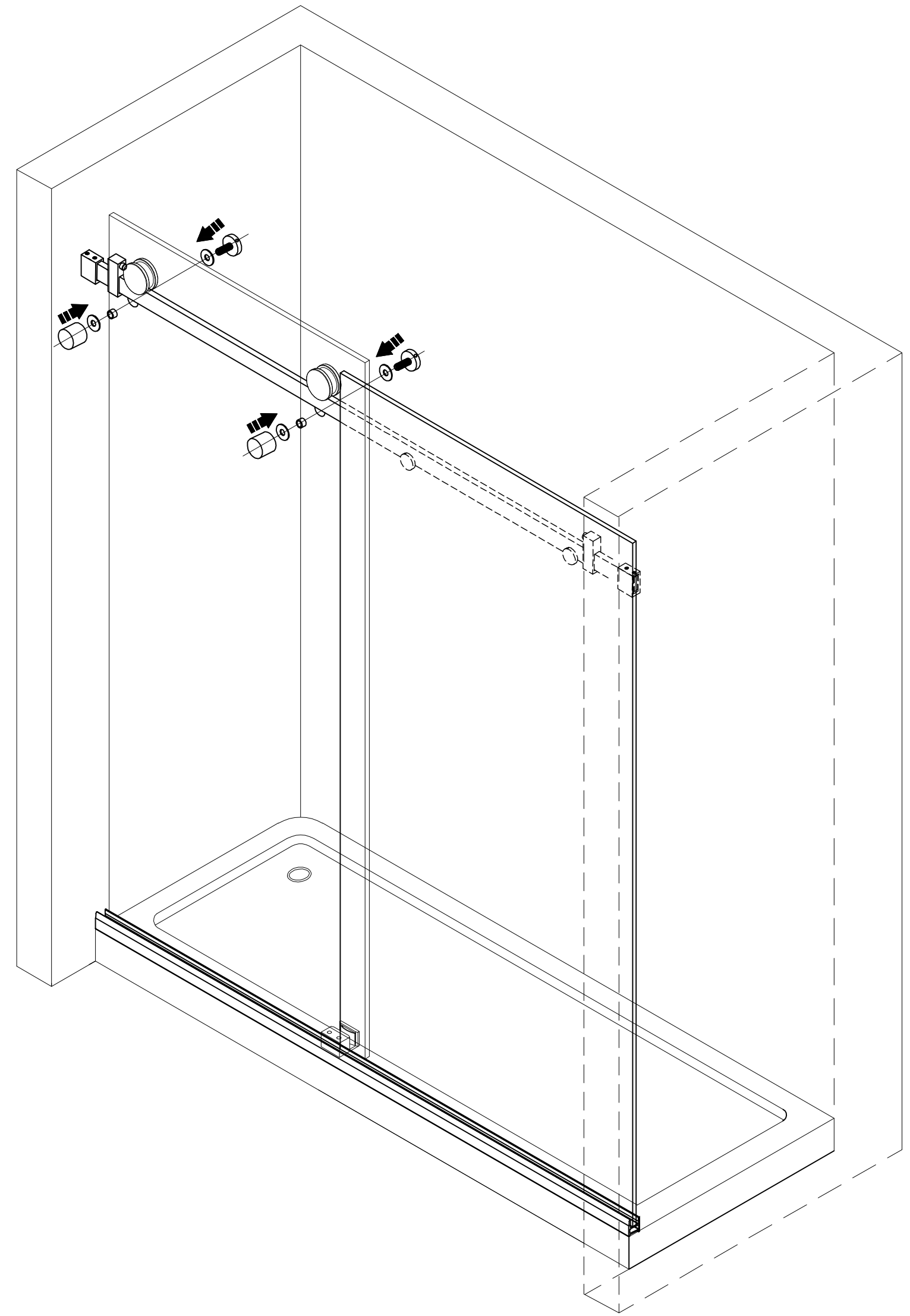
1. Install the Anti-Jumper (4).
2. The distance between the Anti-Jumper and the Top Rail should be $1/16"$.



Right Hand Assembly

STEP 13

1. Install the Anti-Jumper (4).
2. The distance between the Anti-Jumper and the Top Rail should be $1/16"$.

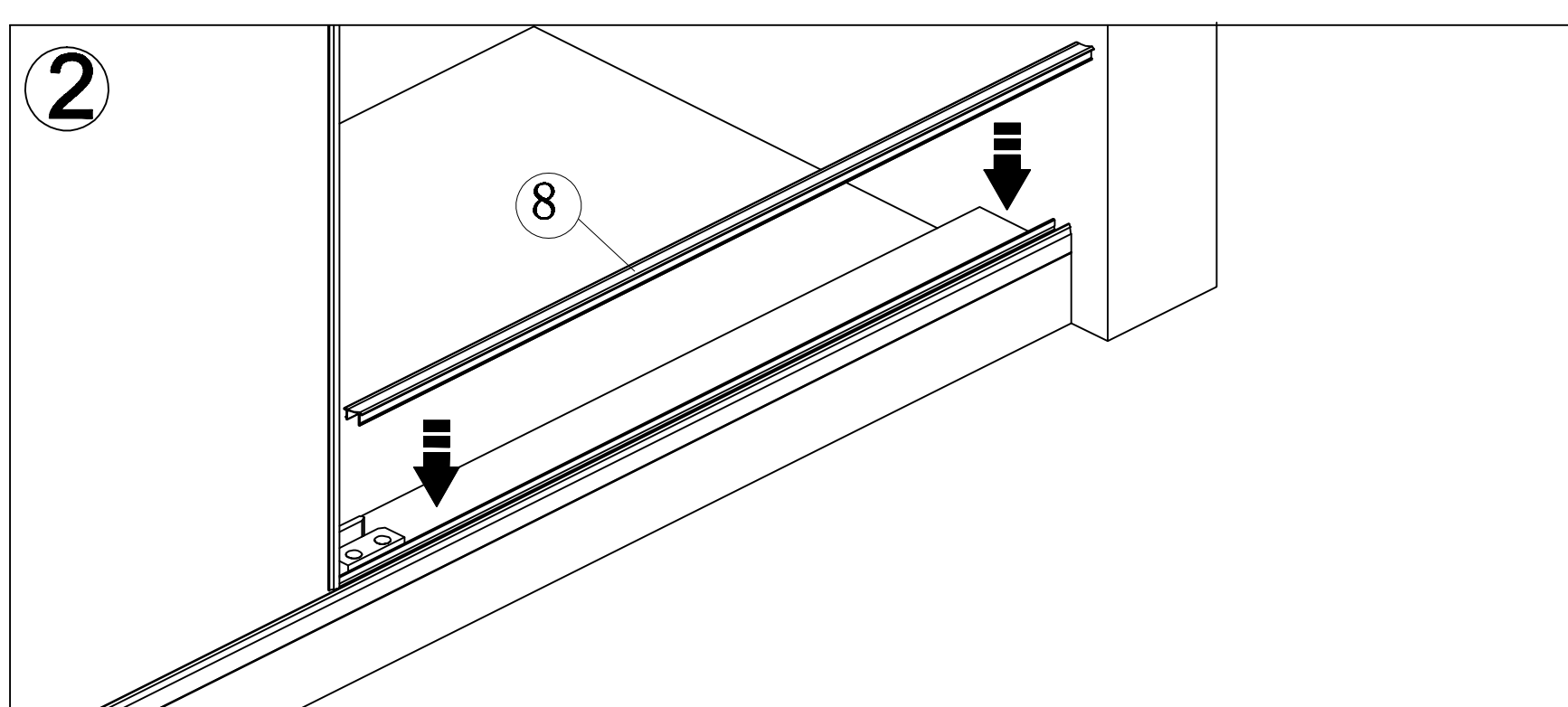
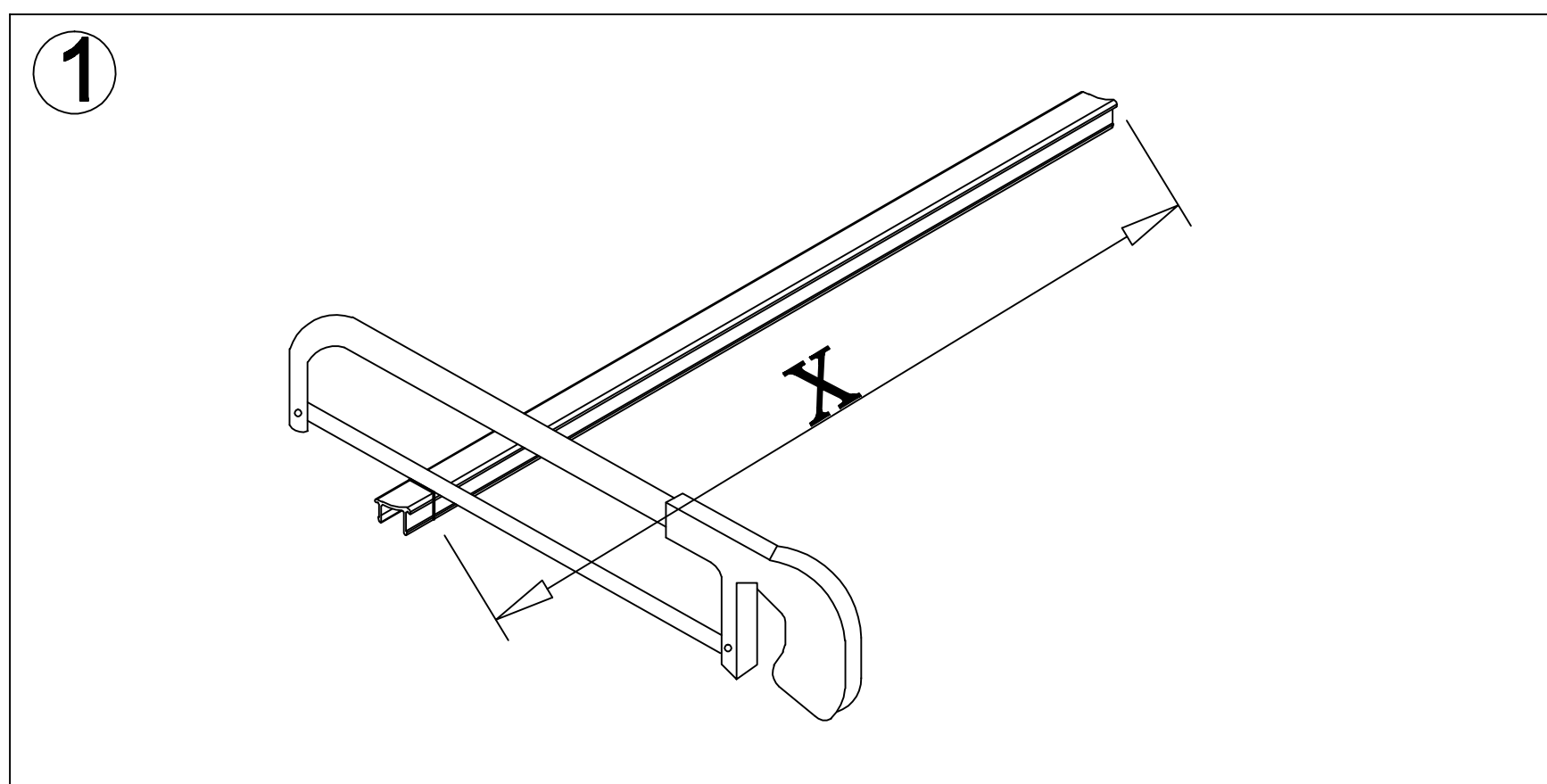
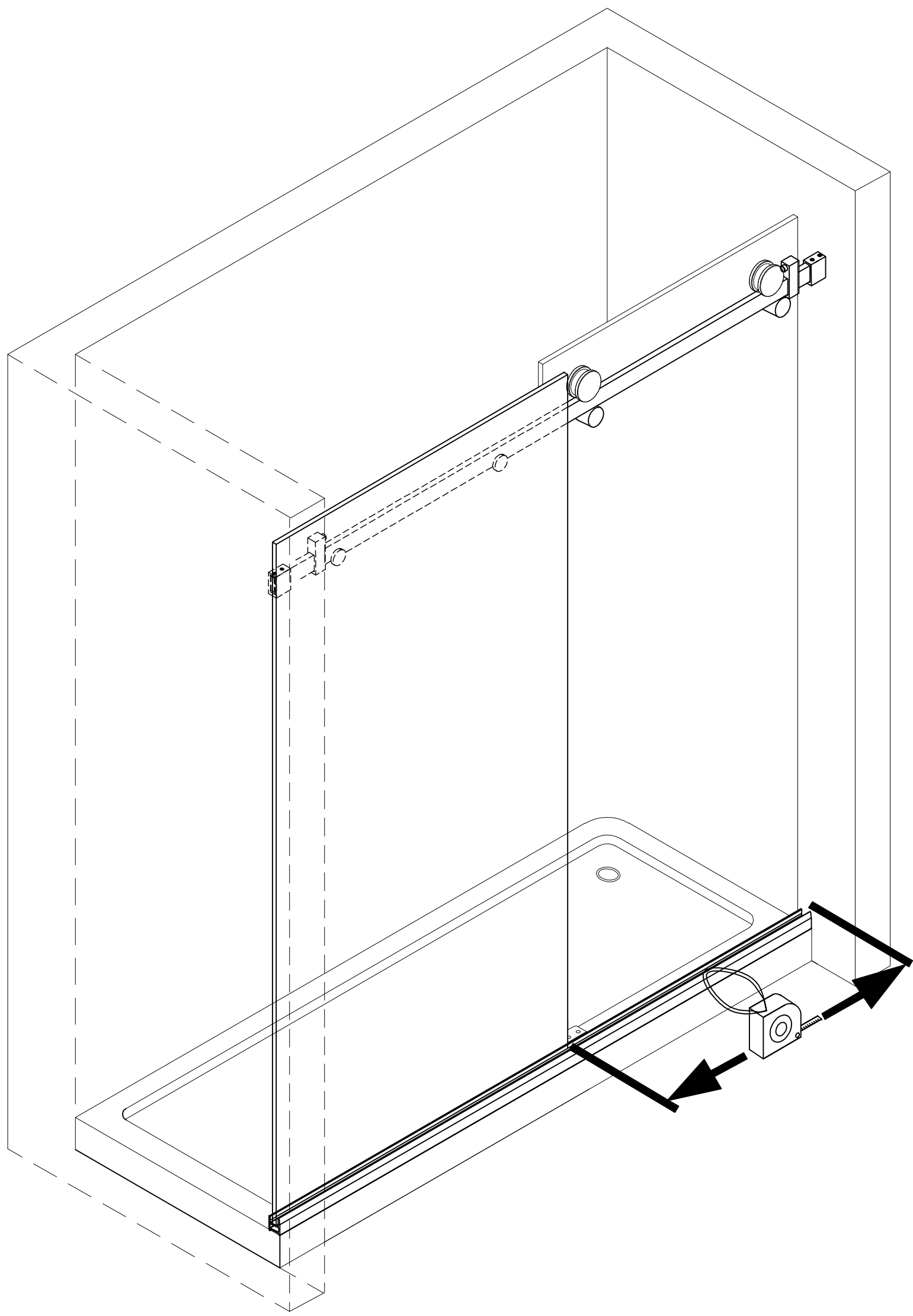


Left Hand Assembly

STEP 14

1. Cut the Threshold (8) to correct size of opening, varies per space.

2. Install the Threshold (8) on top of Door Bottom Guide (11).

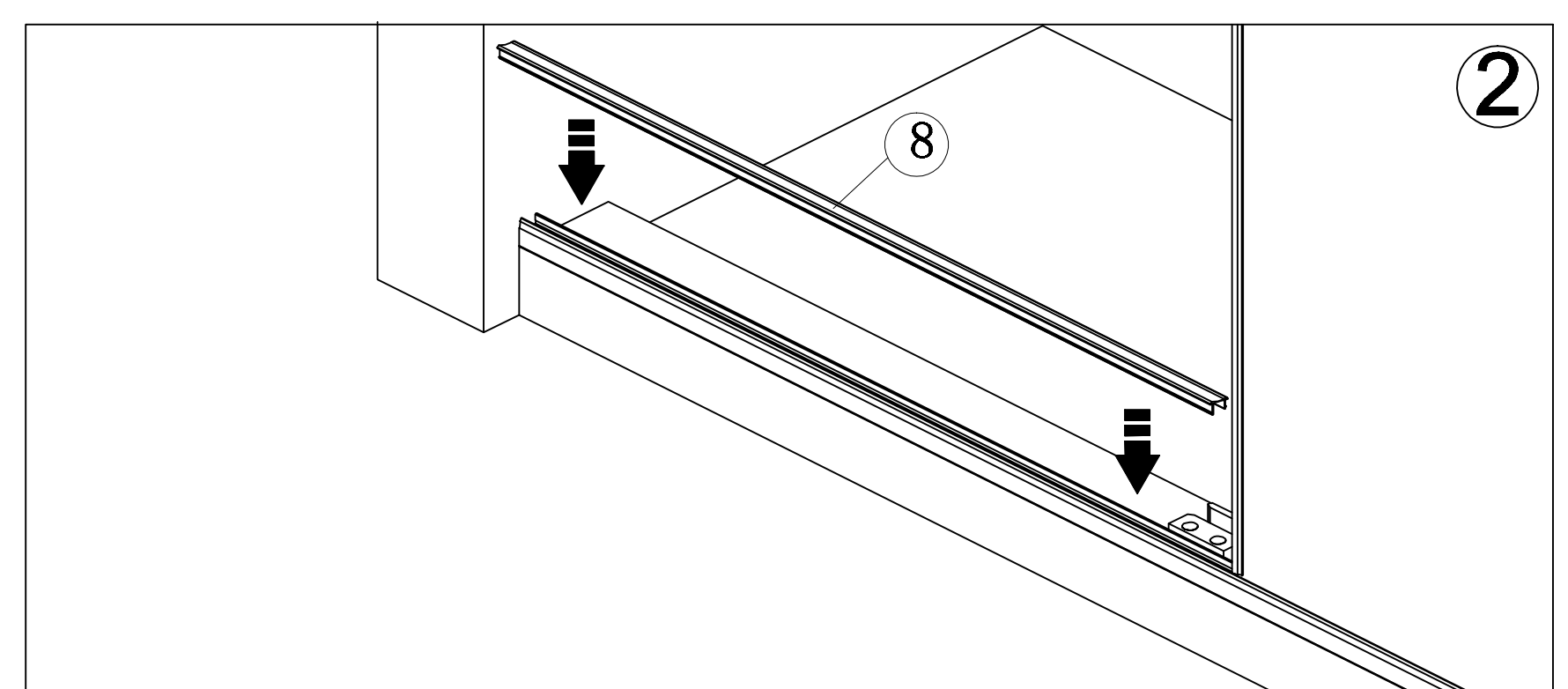
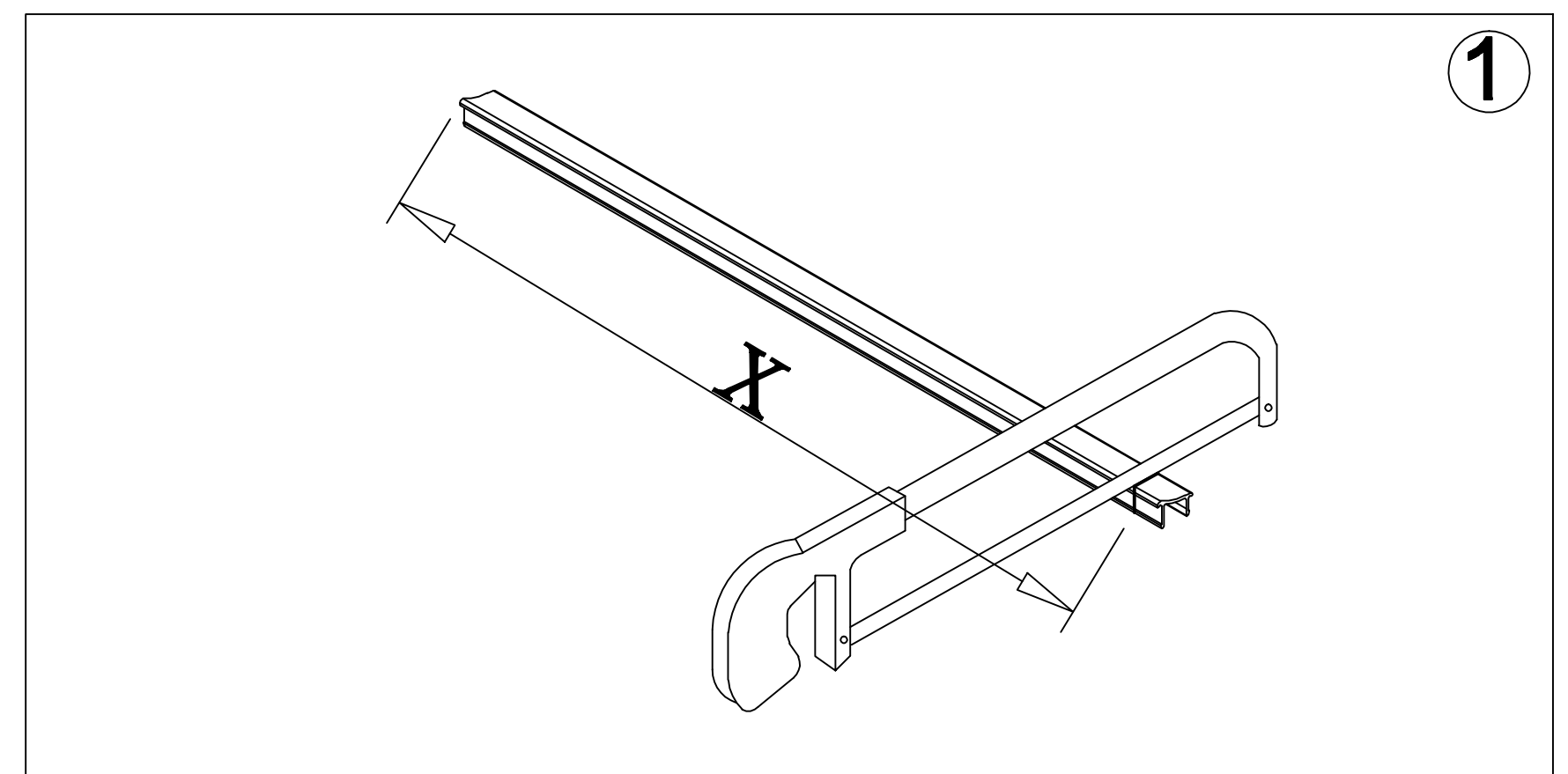
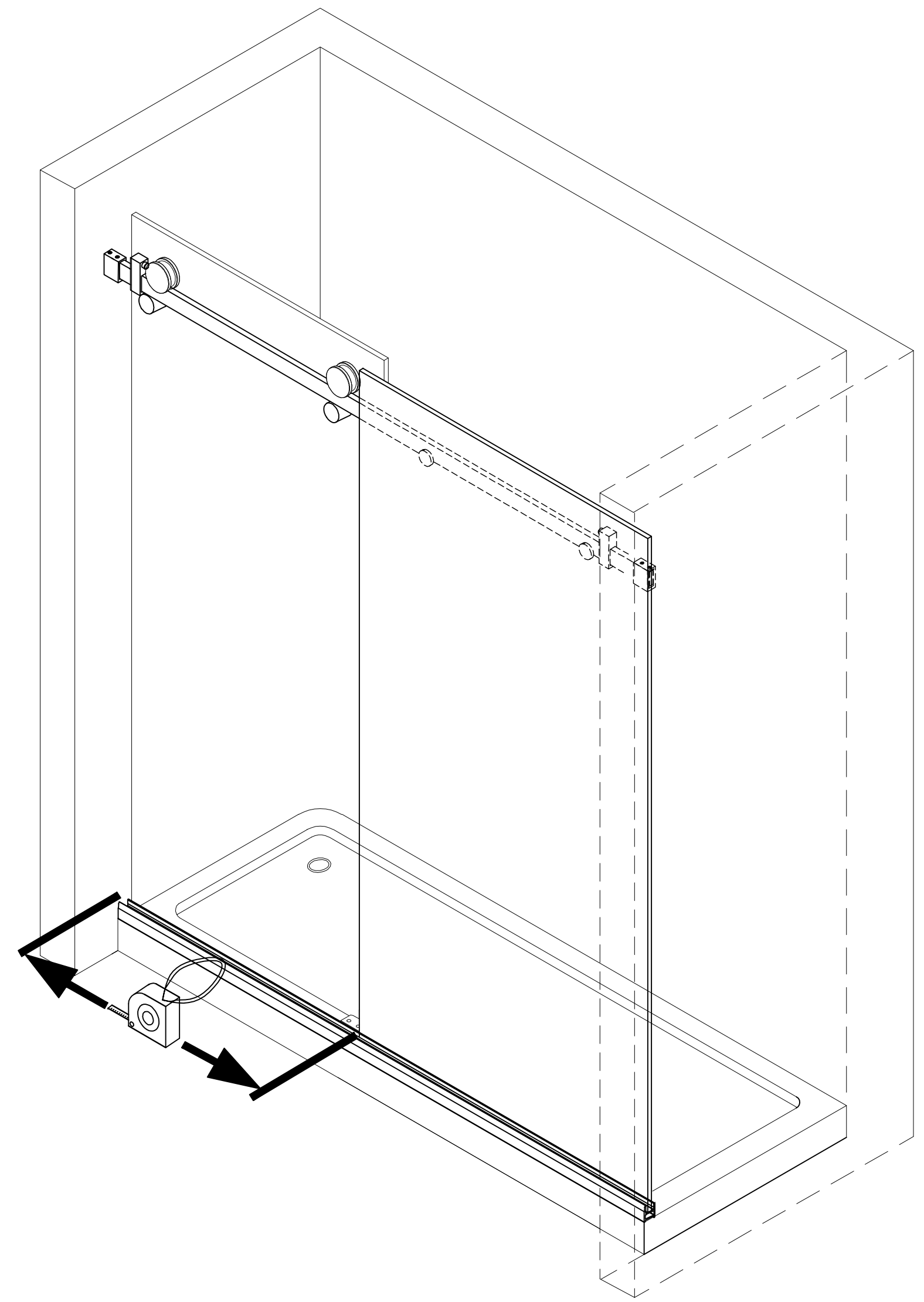


Right Hand Assembly

STEP 14

1. Cut the Threshold (8) to correct size of opening, varies per space.

2. Install the Threshold (8) on top of Door Bottom Guide (11).

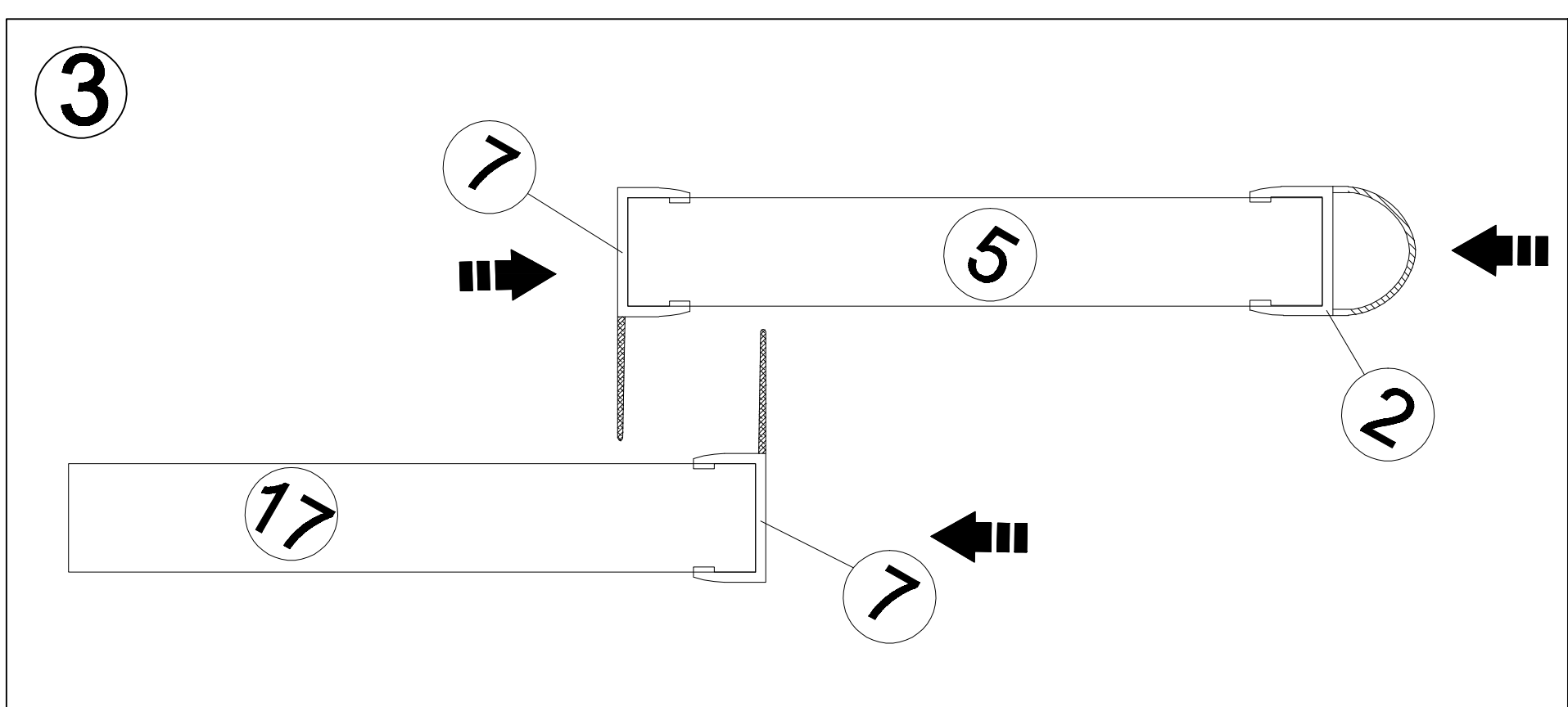
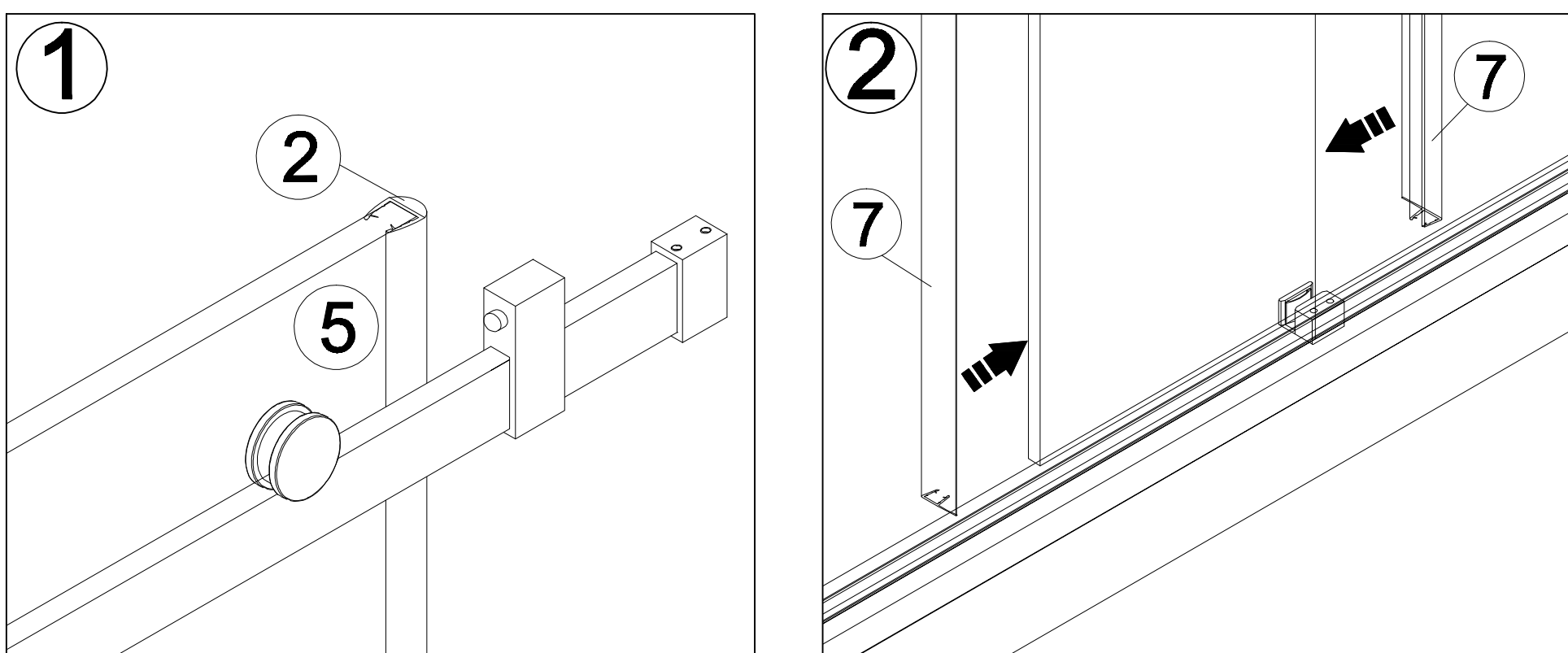
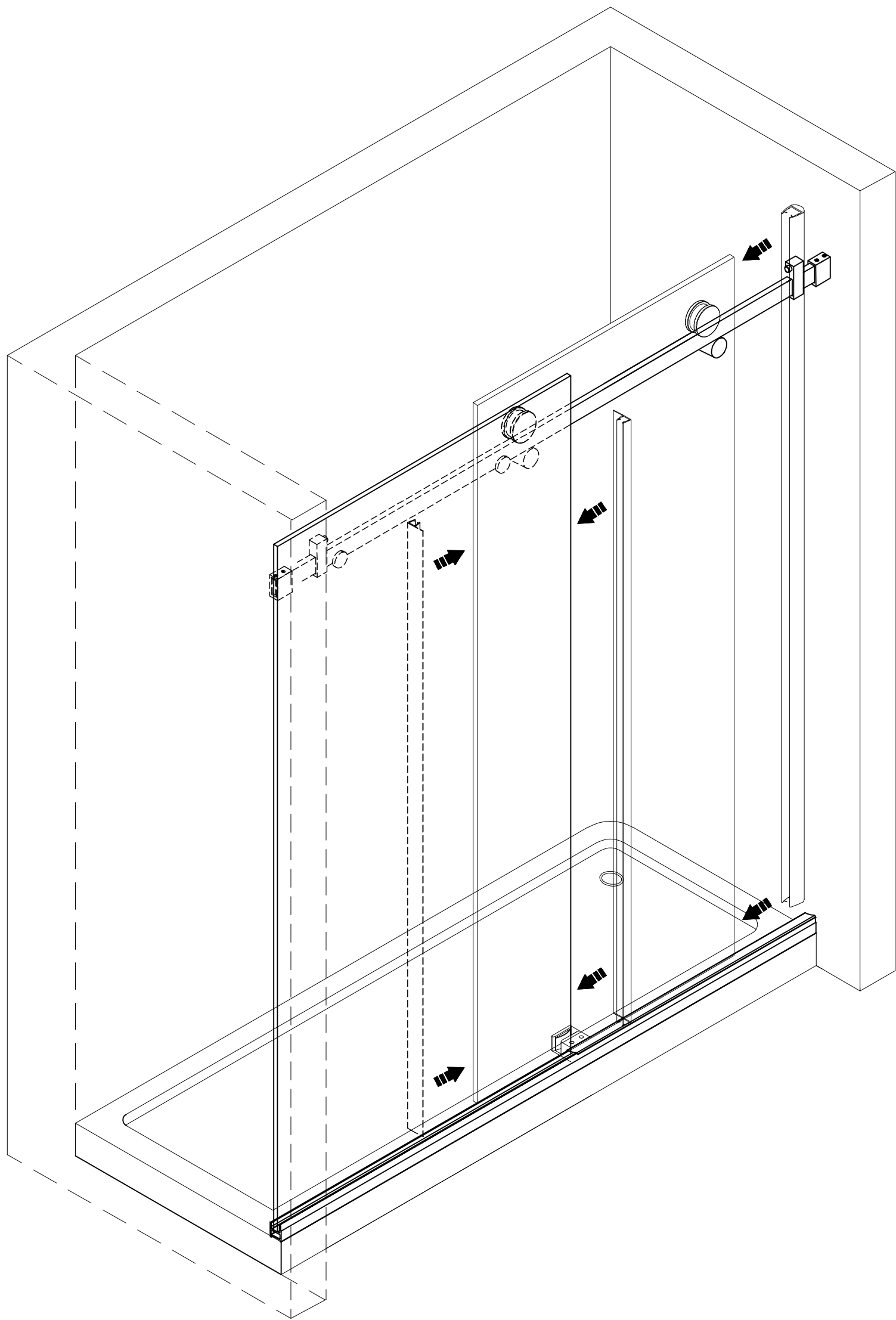


Left Hand Assembly

STEP 15

1. Put on the Bumper Strip (2) and Water Retainer Gasket(7) on the side of Roller Door (5).

2. Install Water Retainer Gasket(7) on the side of Fixed panel(17).

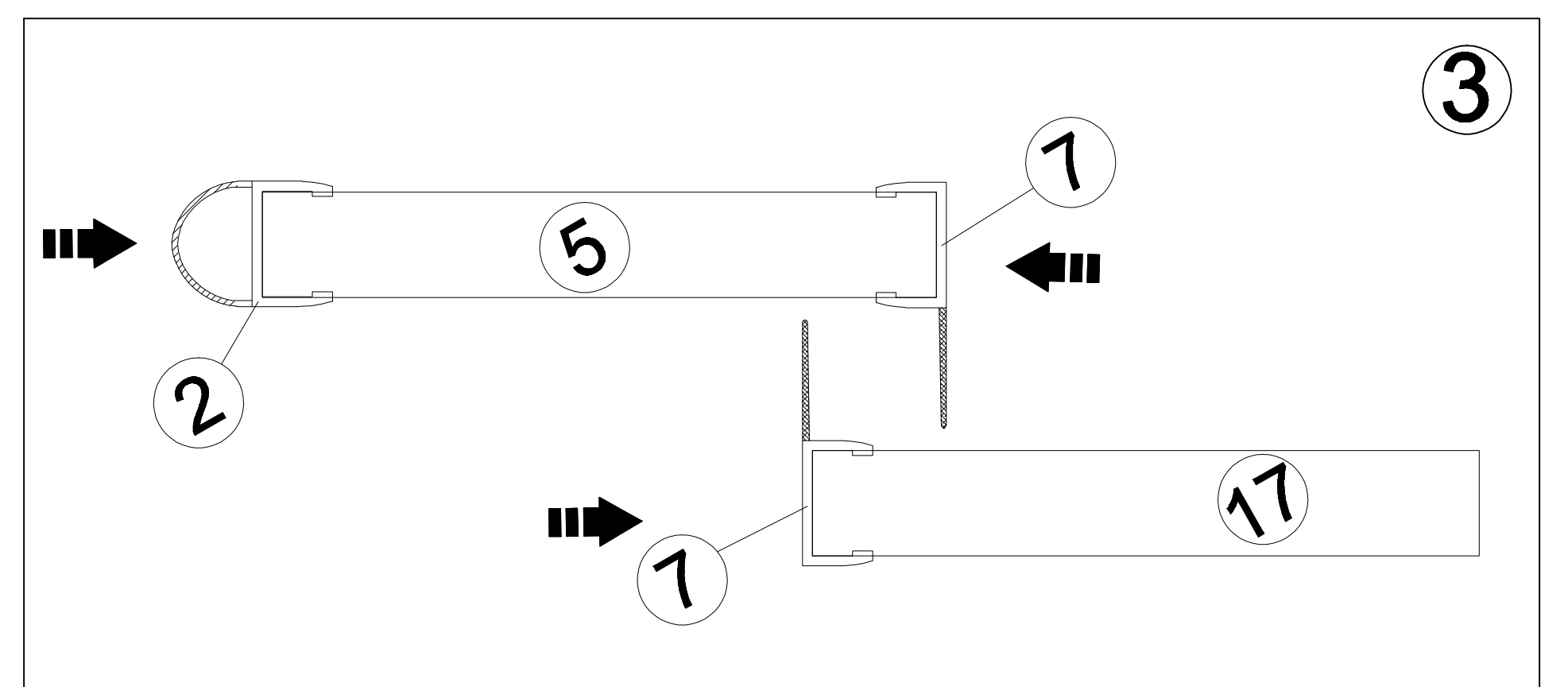
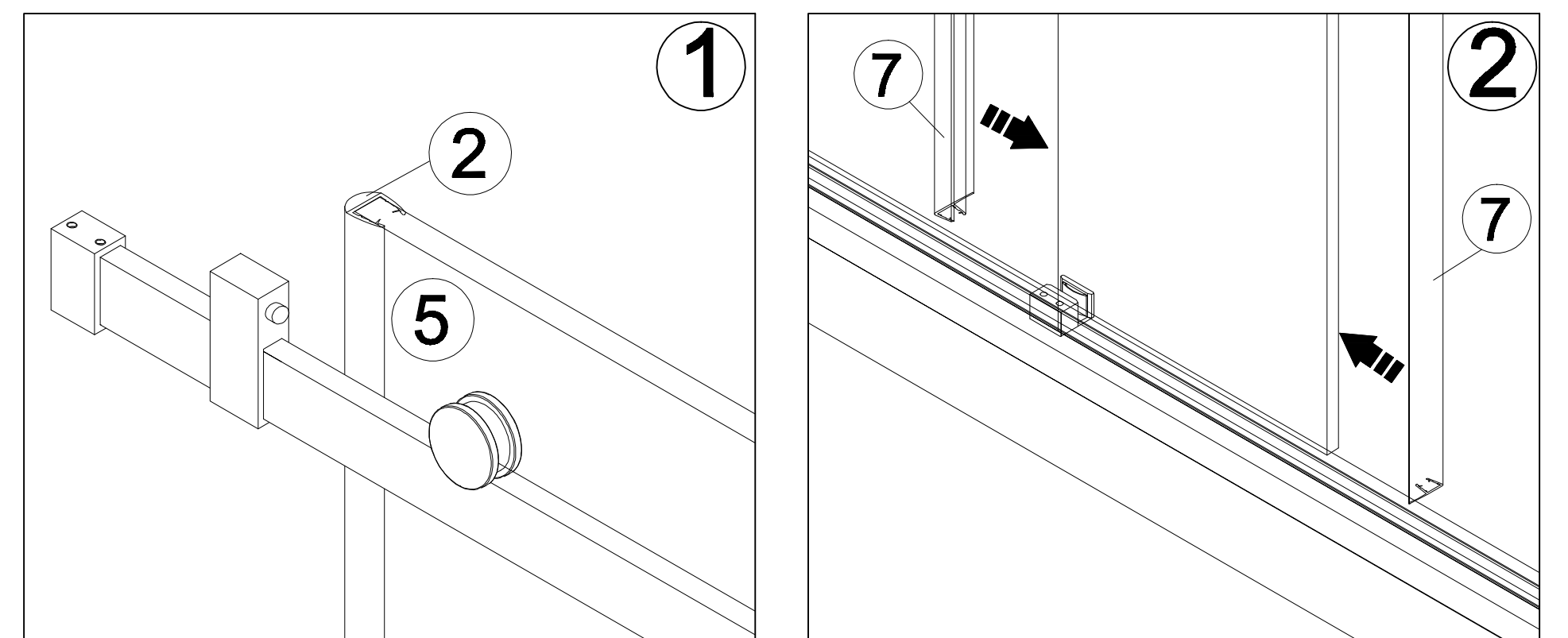
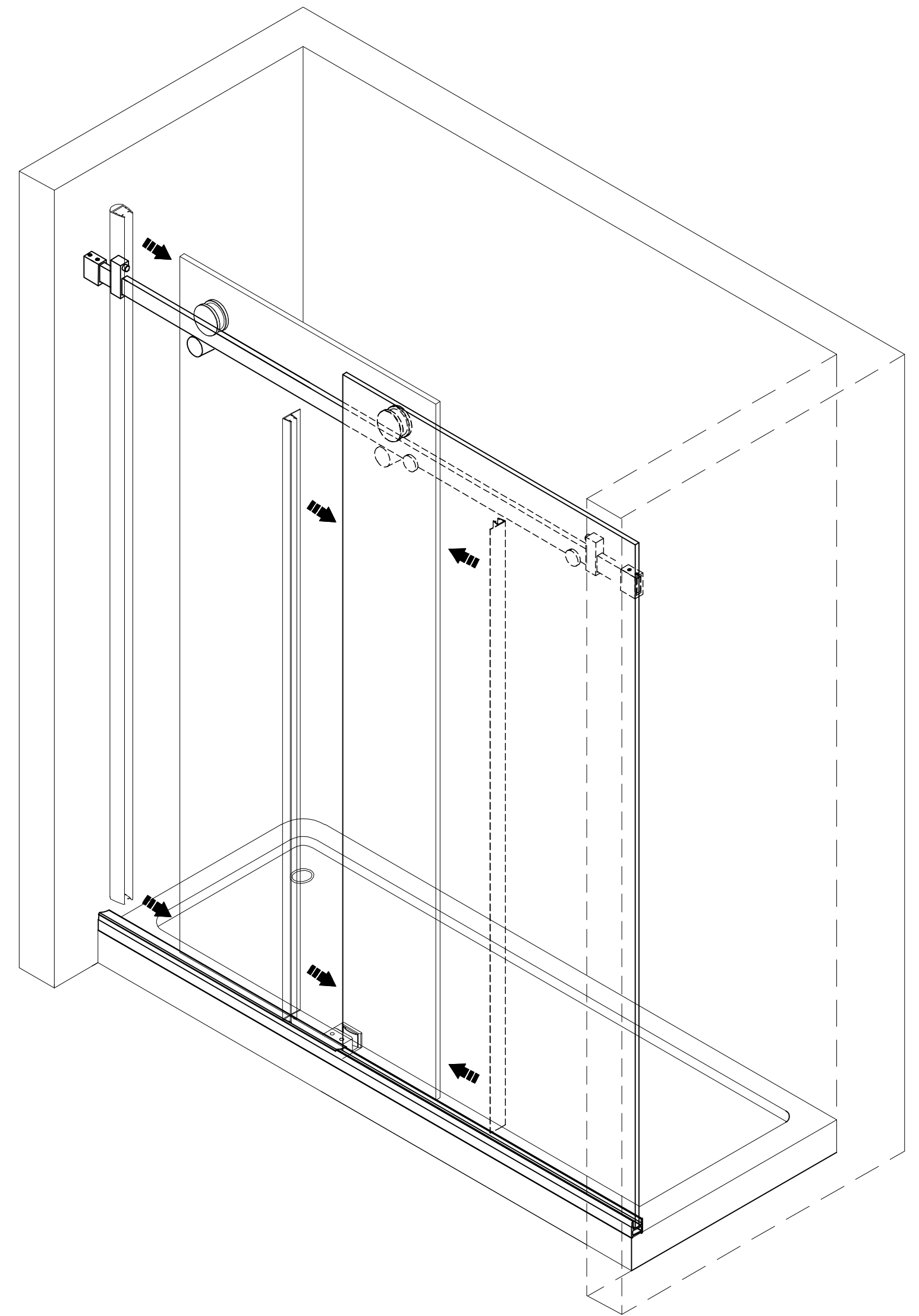


Right Hand Assembly

STEP 15

1. Put on the Bumper Strip (2) and Water Retainer Gasket(7) on the side of Roller Door (5).

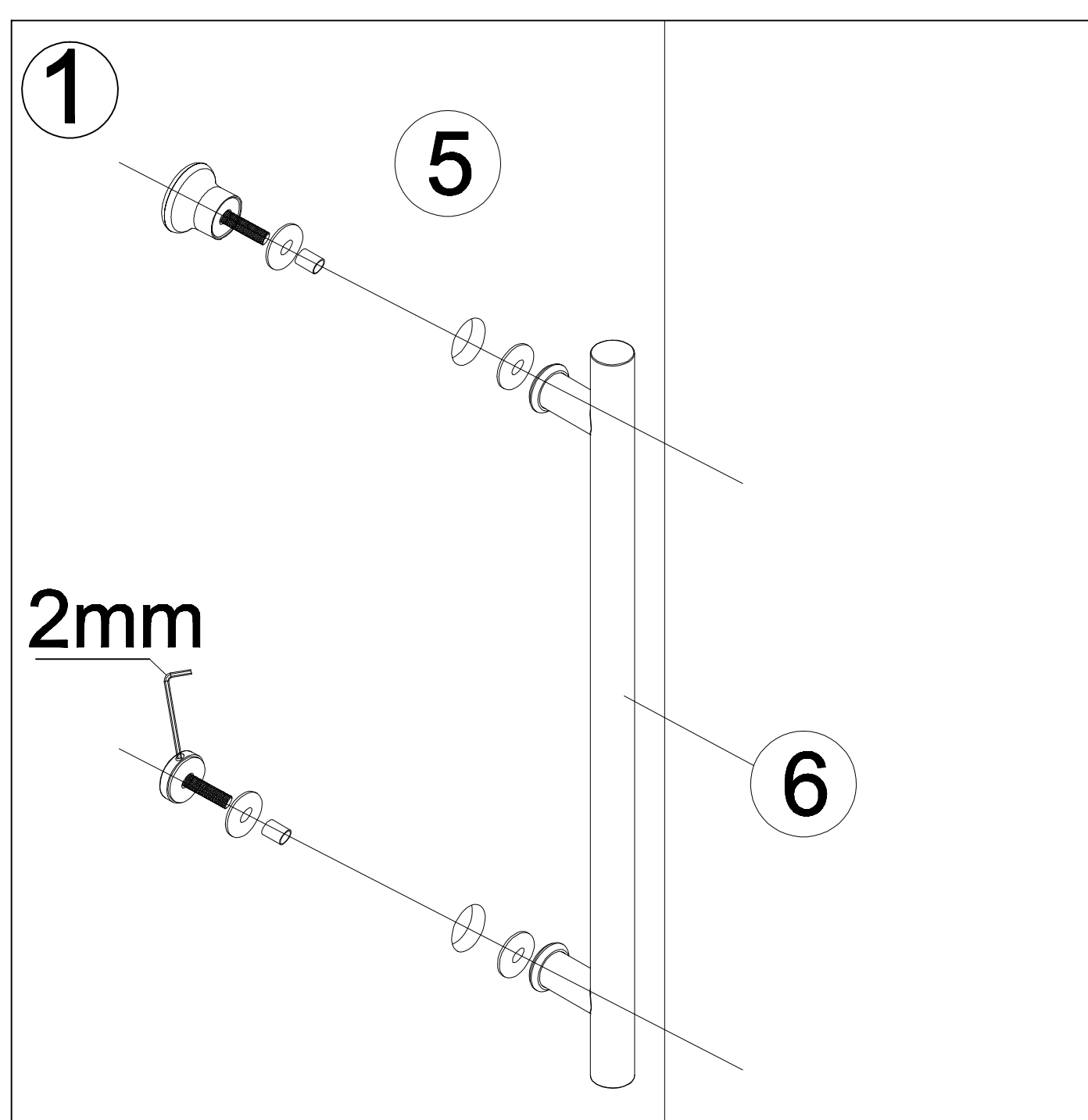
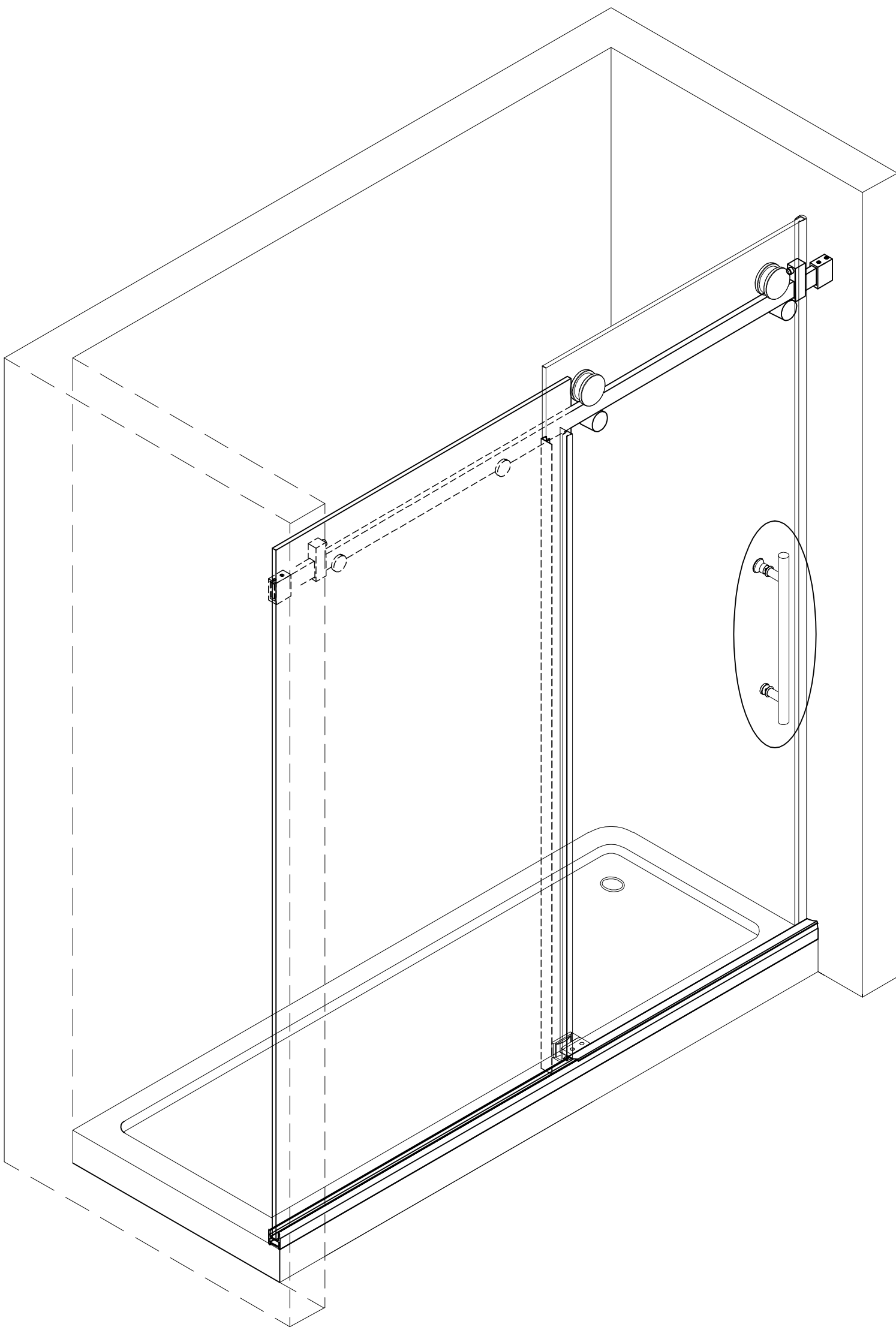
2. Install Water Retainer Gasket(7) on the side of Fixed panel(17).



Left Hand Assembly

STEP 16

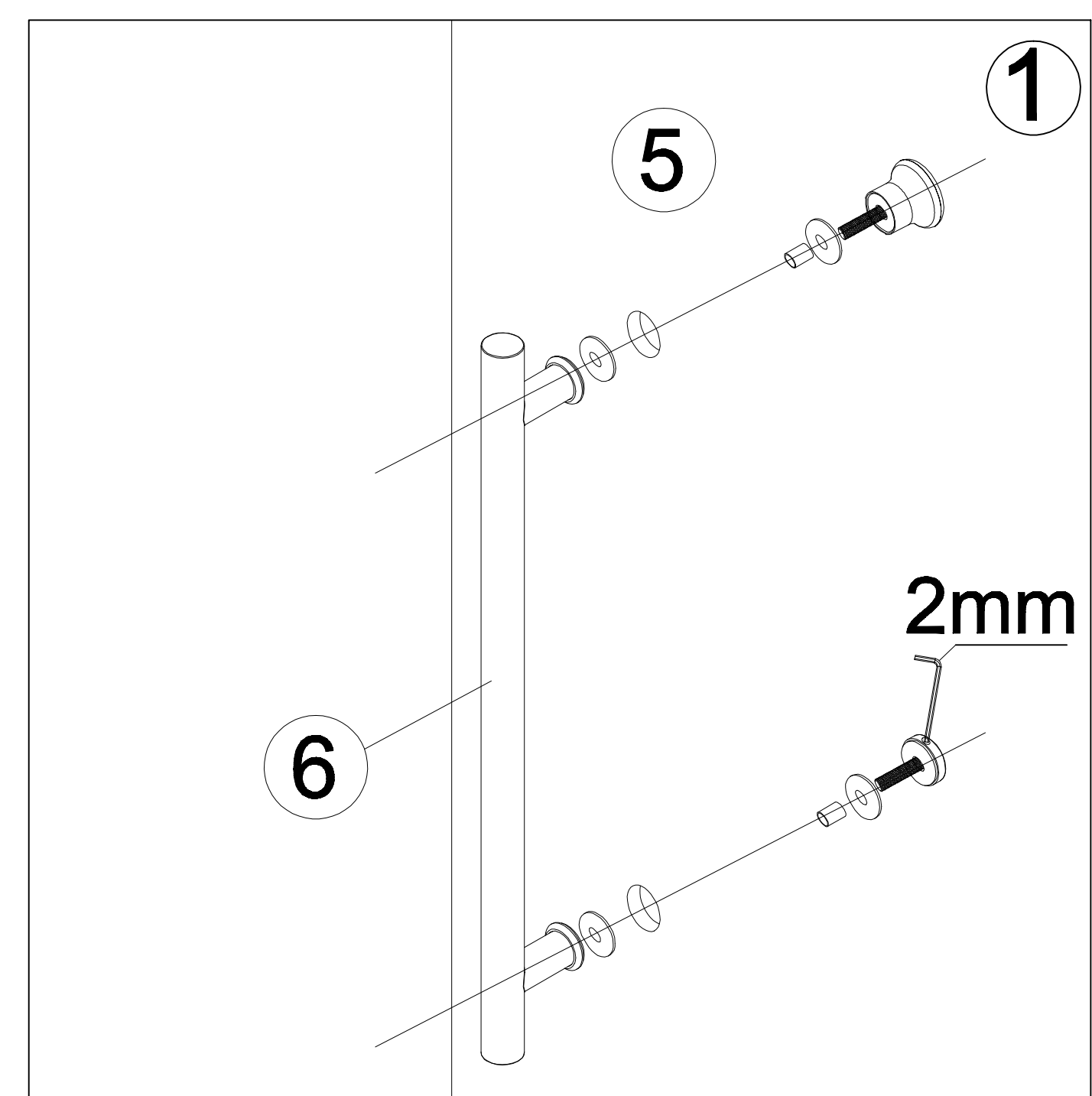
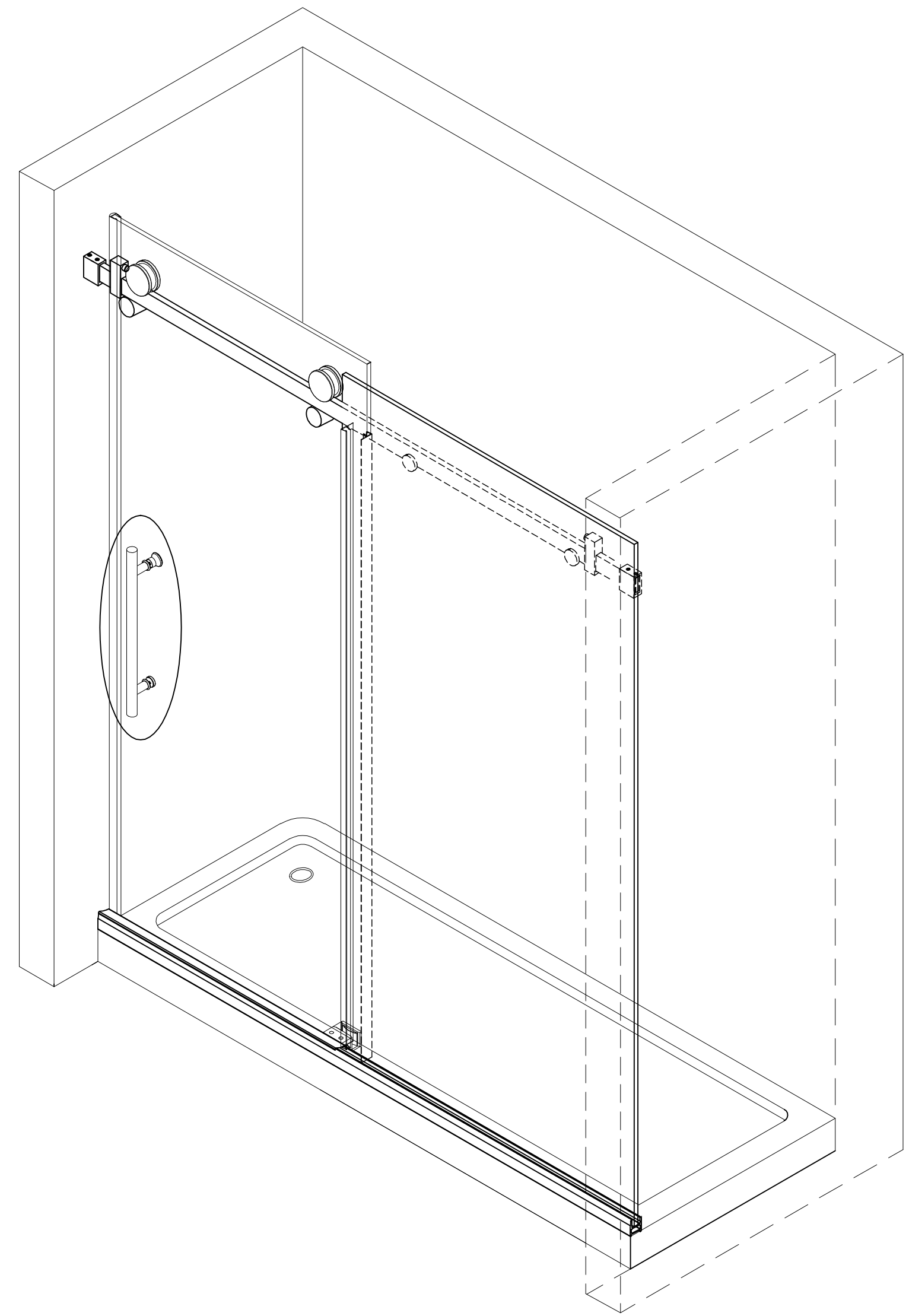
1. Install the Handle (6) onto the Roller Door (5) by unscrewing the screws that are attached to the door handle and reinserting through the panel back into the handle. Tighten with the 2mm Allen Wrench.



Right Hand Assembly

STEP 16

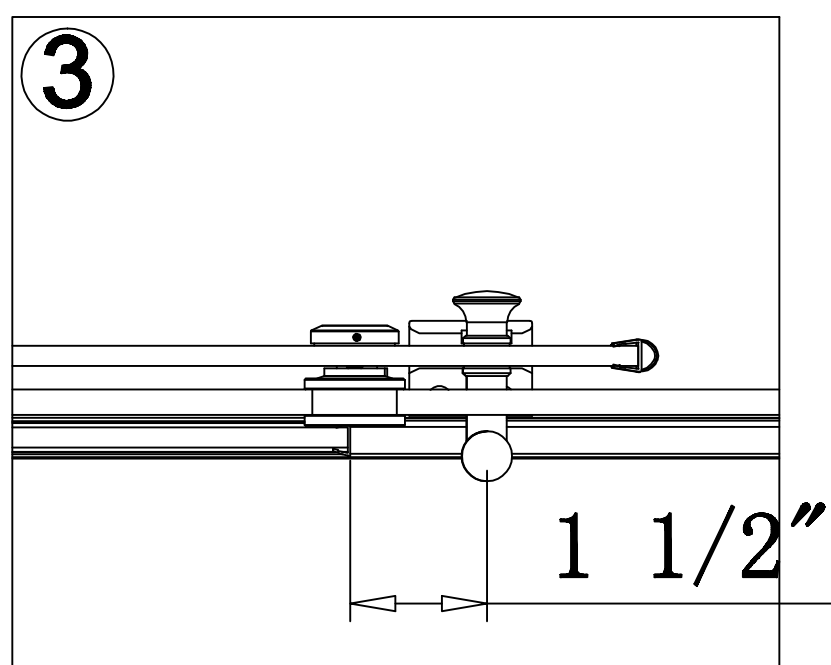
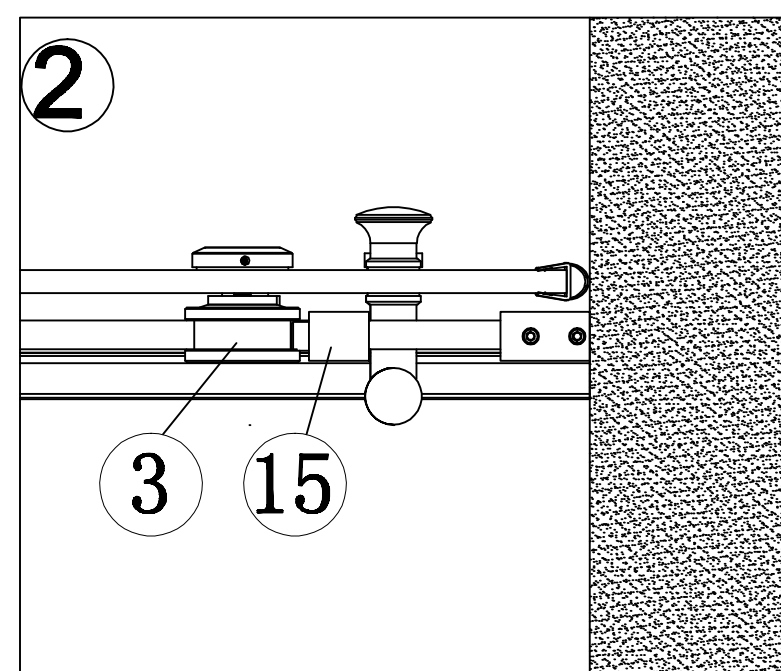
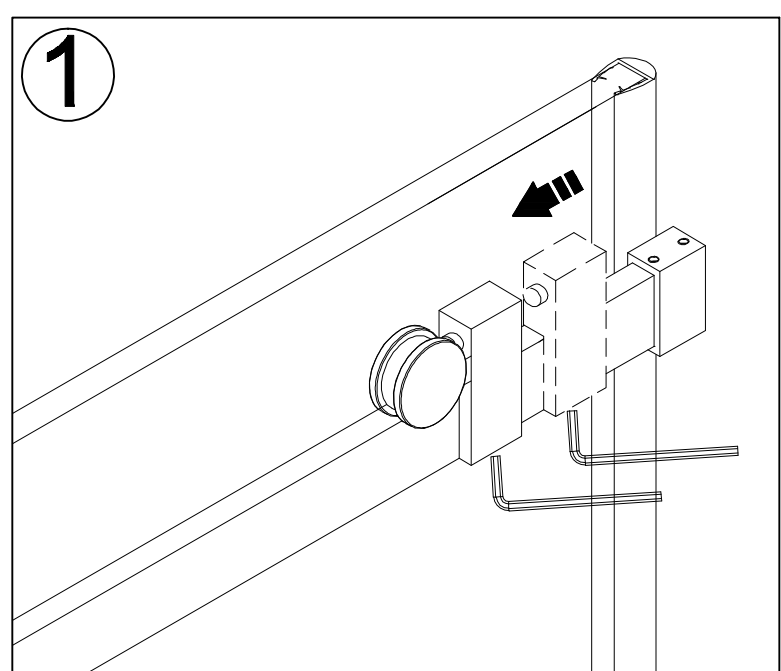
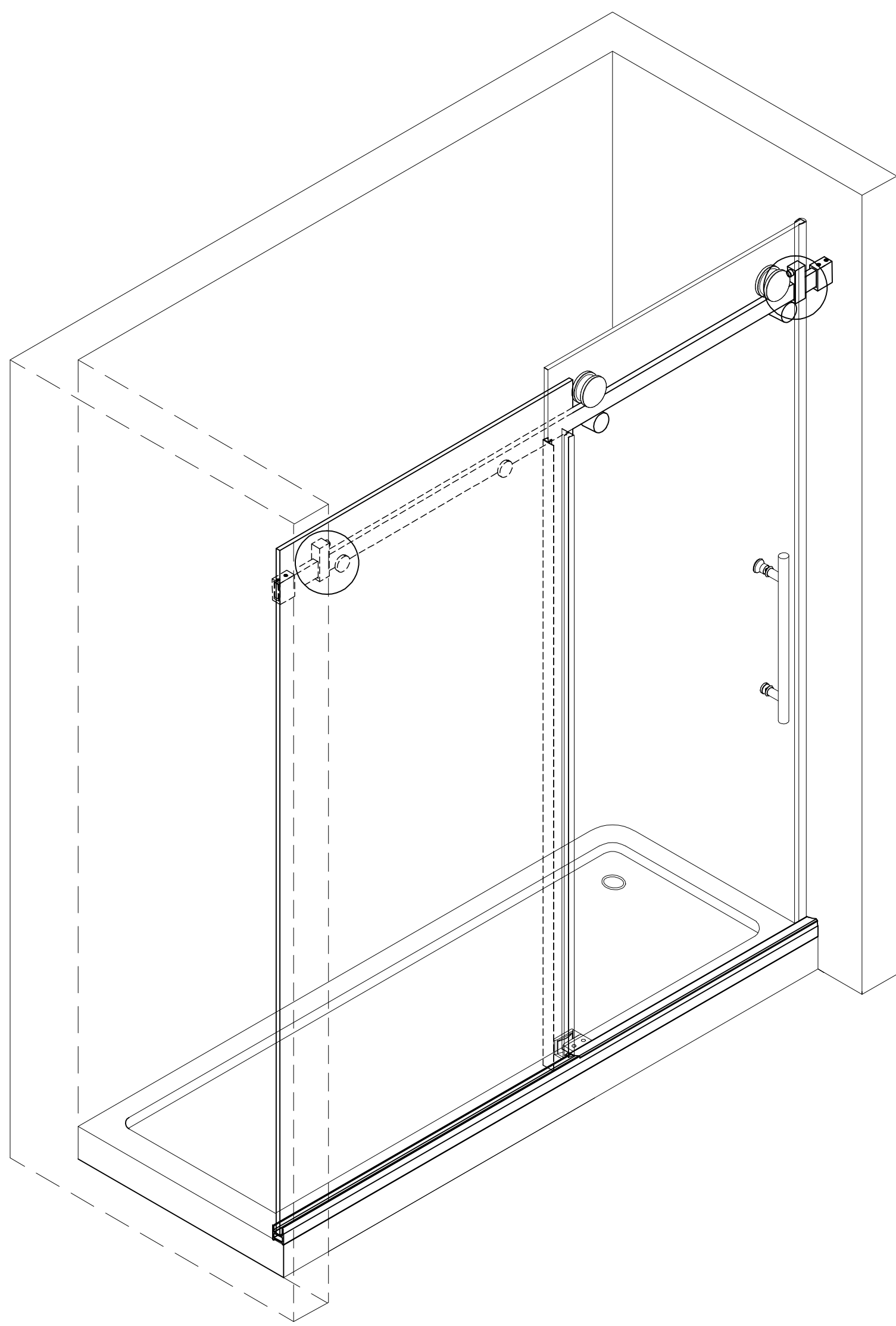
1. Install the Handle (6) onto the Roller Door (5) by unscrewing the screws that are attached to the door handle and reinserting through the panel back into the handle. Tighten with the 2mm Allen Wrench.



Left Hand Assembly

STEP17

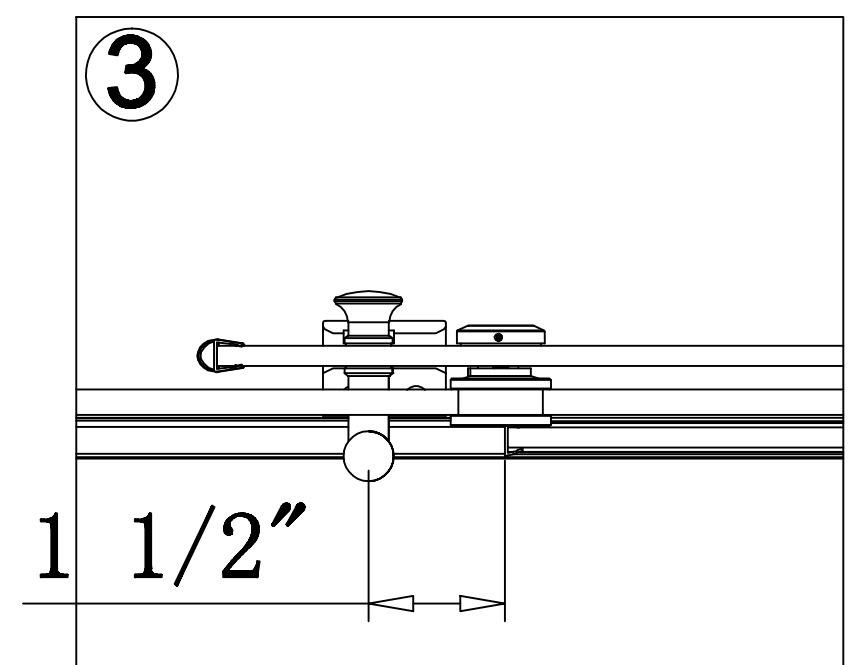
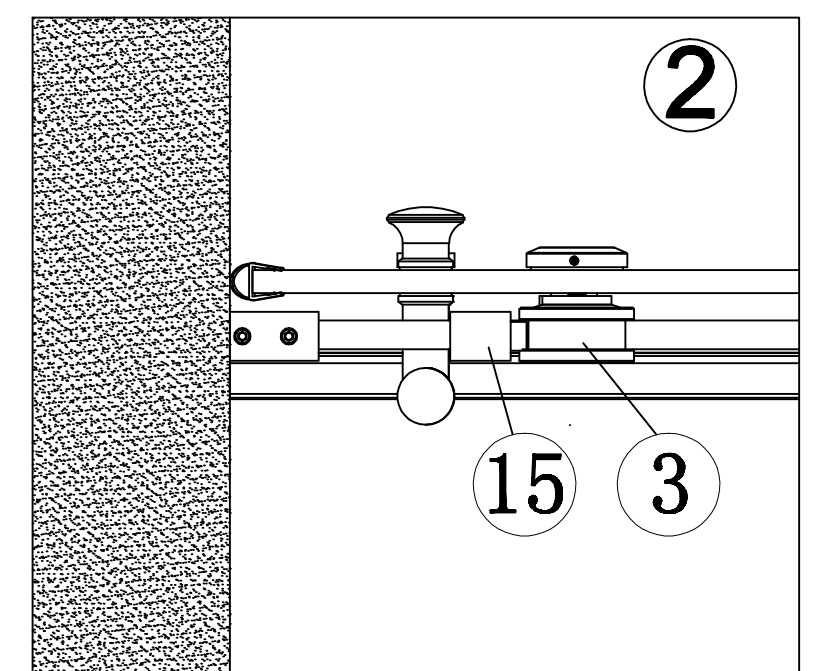
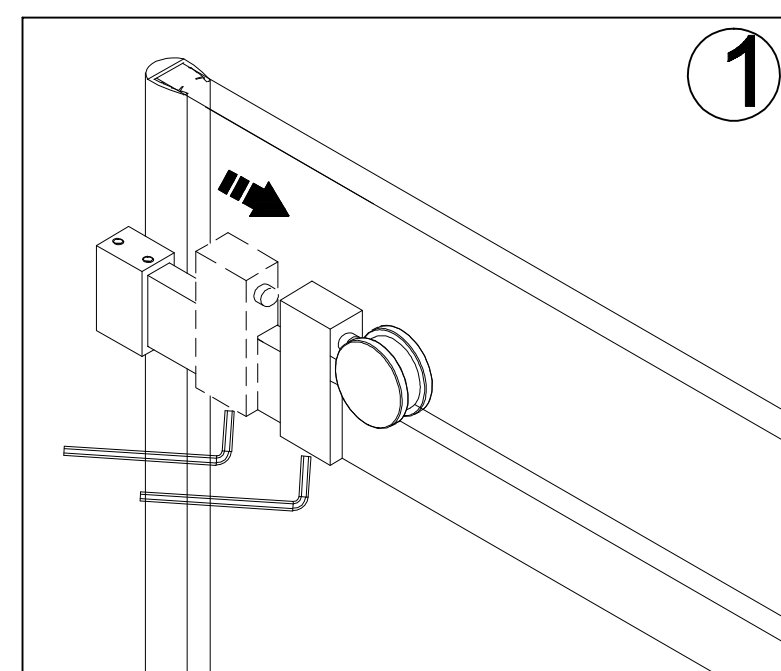
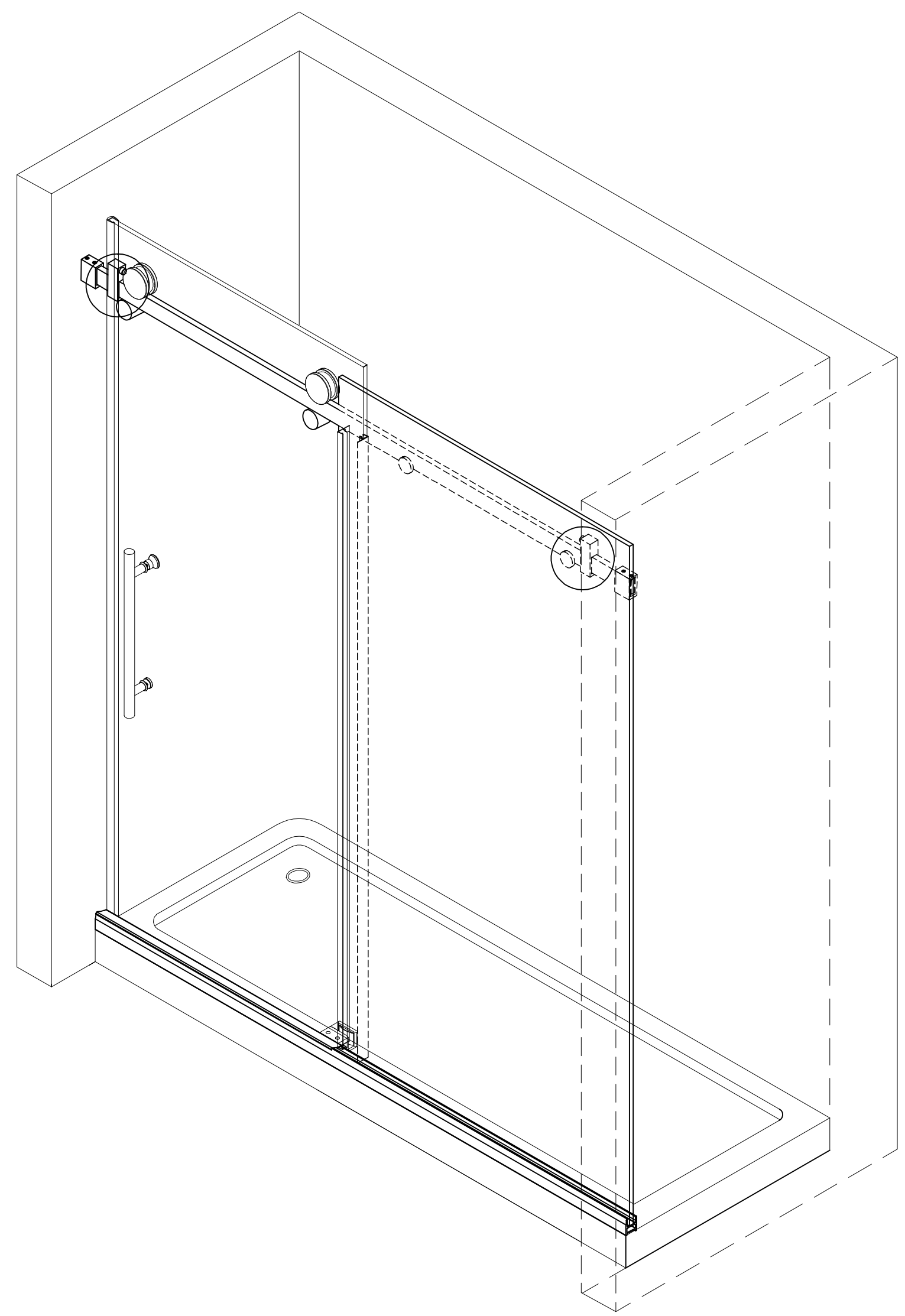
1. Avoid the Roller door(5) bumping into the Wall by moving the Door Bumper(15) to a desired position.
2. Do the same on the other side of Door Bumper(15).
3. The Roller Door(5) should be stopped 1 1/2" before the Wall.



Right Hand Assembly

STEP17

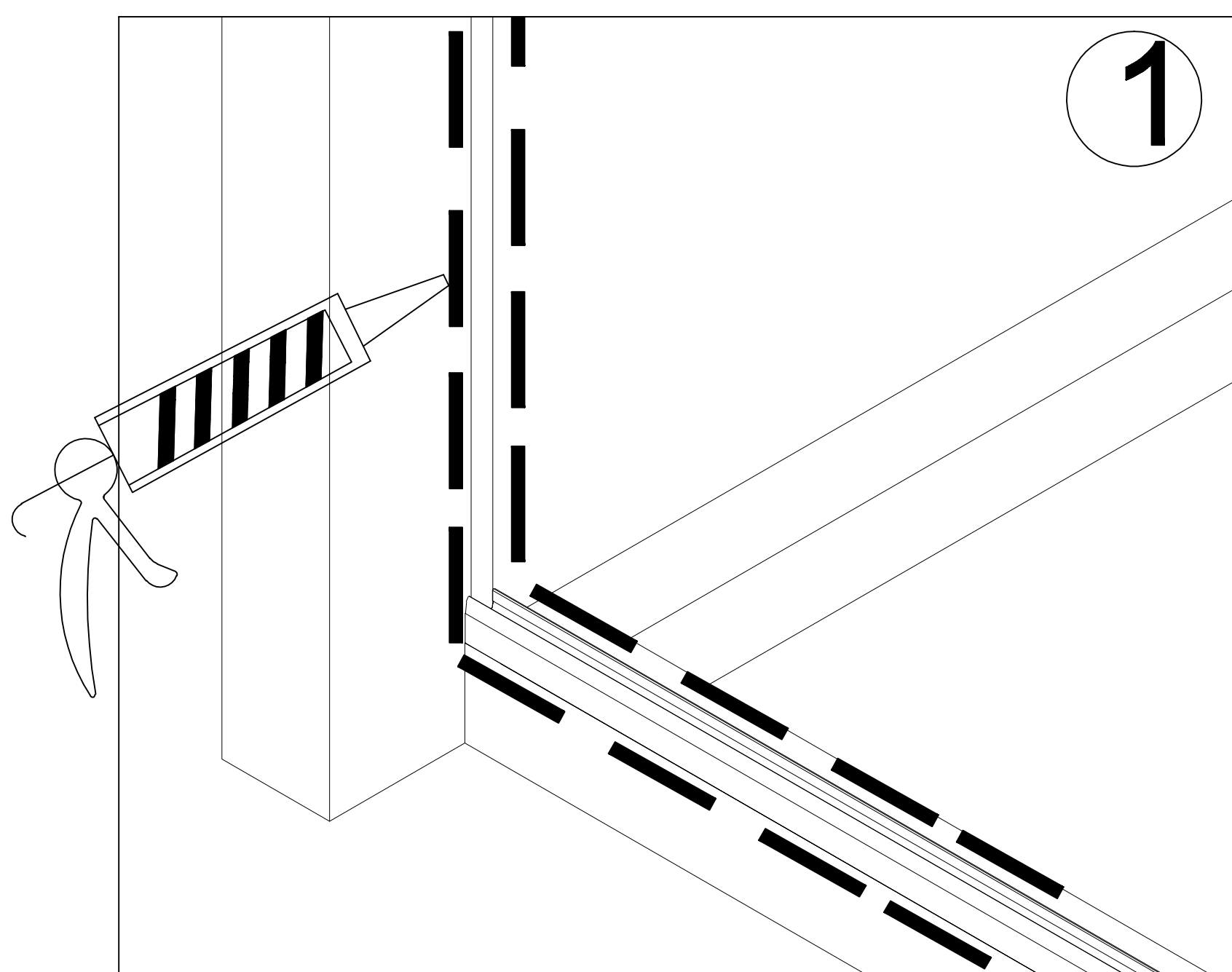
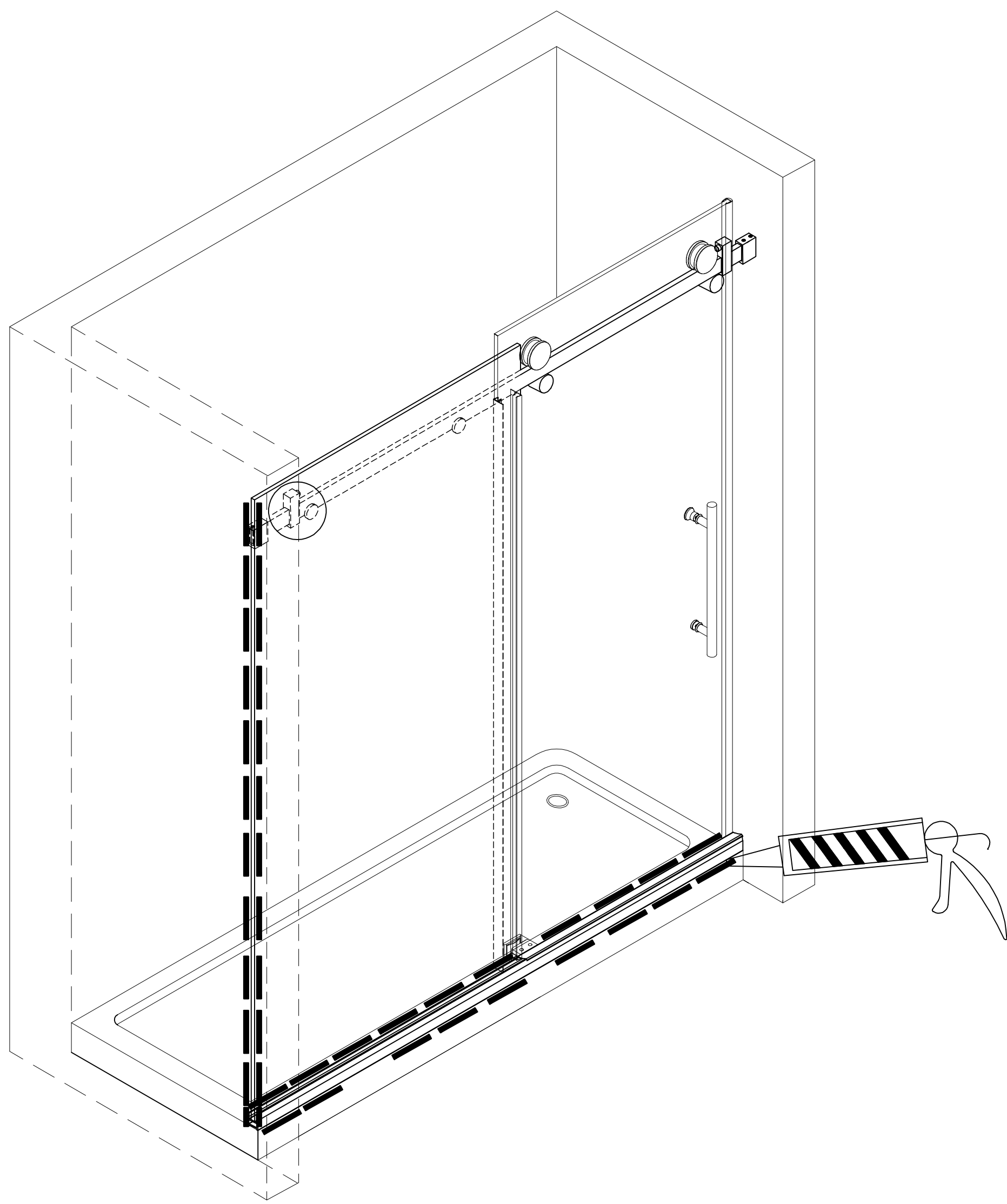
1. Avoid the Roller door(5) bumping into the Wall by moving the Door Bumper(15) to a desired position.
2. Do the same on the other side of Door Bumper(15).
3. The Roller Door(5) should be stopped 1 1/2" before the Wall.



Left Hand Assembly

STEP18

1. Use Clear Silicone on the both sides of shower door and the Door Bottom Guild. Let dry for 24 hour.



Right Hand Assembly

STEP18

1. Use Clear Silicone on the both sides of shower door and the Door Bottom Guild. Let dry for 24 hour.

