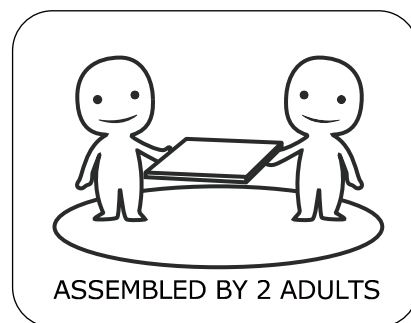
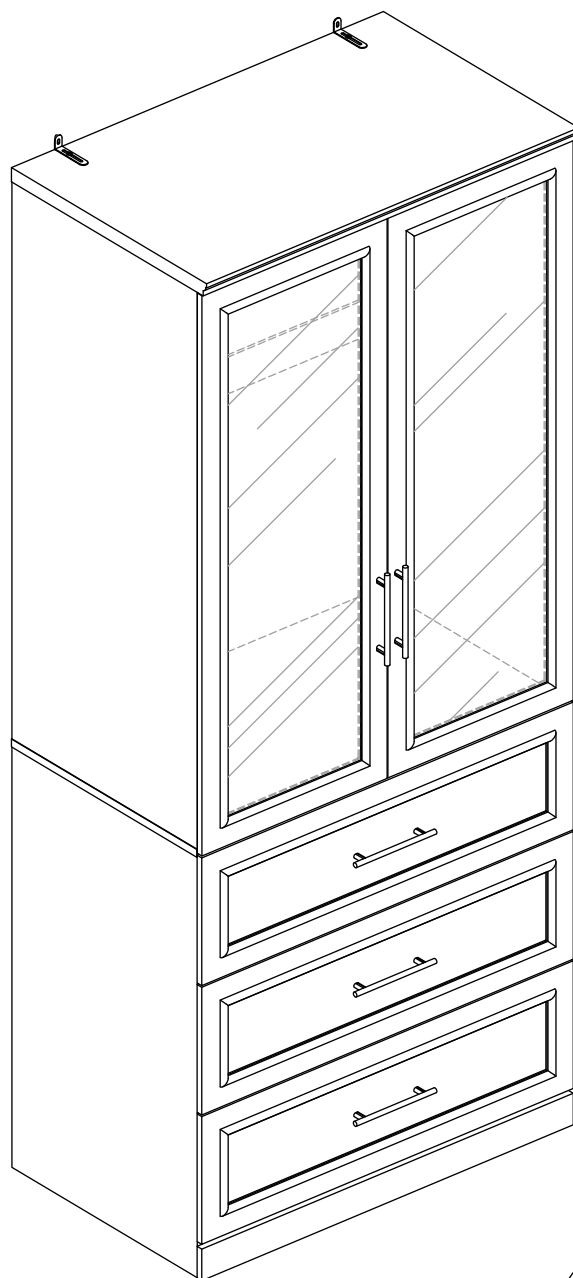
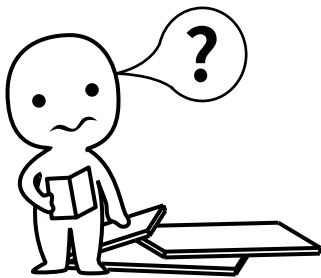


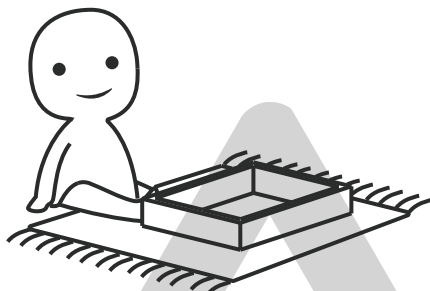
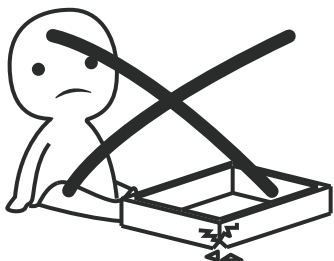
# Wardrobe





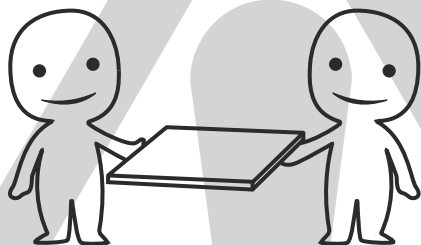
## IMPORTANT INFORMATION!

please read the entire manual before starting to assemble and/or using this product. follow the manual thoroughly and keep it for further reference.



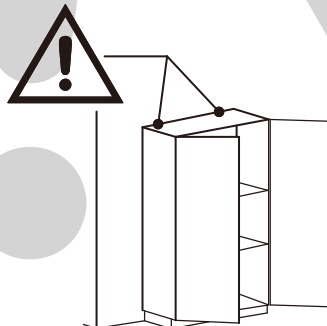
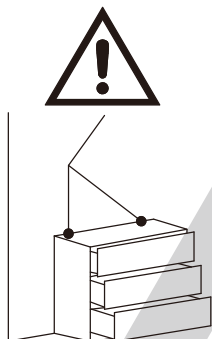
## AVOID SCRATCHES!

In order to avoid scratching this furniture should be assembled on a soft layer- could be a rug.



## IMPROVE EFFICIENCY !

Try to find a partner to install with you, which can speed up the installation efficiency and shorten the time.



## ANTI-TOPPLE WARNING !

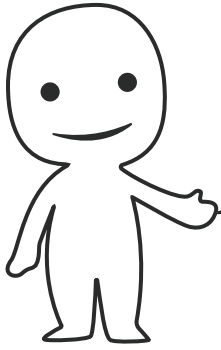
Overturnd furniture can cause serious or fatal crush injuries. To prevent tipping over, be sure to use the wall attachment, if not included with this product. Please purchase the wall attachment that fit your wall. If unsure, seek professional advice. Please read and follow each step of the instructions carefully.

## IMPORTANT !

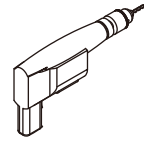
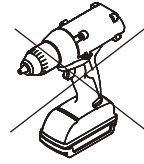
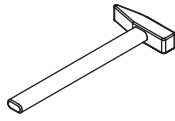
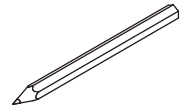
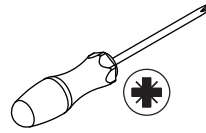
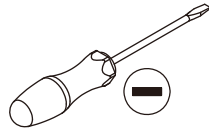
It is important that any product which is assembled using any kind of screw is re-tightened 2 weeks after assembly, and once every 3 months - in order to assure stability through-out the lifespan of the product.

For regular maintenance and cleaning of the product, for the frame, please use a rag dipped in neutral detergent to fully wipe it, and then dry it with a clean rag. For glass materials, wipe with a rag dampened with water glass cleaner, and then dry with a dry rag.

Do not use an electric screwdriver, and do not use too much force when installing, because the board is easy to break.

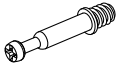


Please prepare the following tools




When installing, please carefully confirm whether each screw corresponds to the manual, accessories with similar shapes can be distinguished by size

A x 47



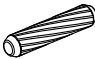
Ø 6x35mm

B x 47




Ø 14x9mm

C x 6



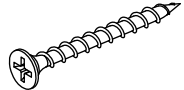
Ø 8x30mm

D x 4




Ø 8x50mm

E x 6



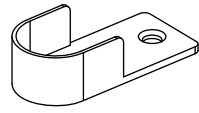
Ø 4x40mm

F x 42




Ø 3.5x12mm

G x 2

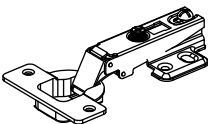


H x 36

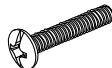


Ø 4x12mm

J x 6

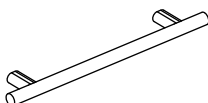


K x 10

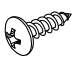


M4x18mm

L x 5

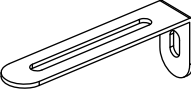


M x 2

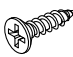


Ø 5x14mm

N x 2

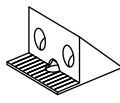


P x 32




Ø 3x16mm

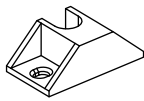
Q x 32




R x 2



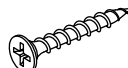
S x 1



T x 1

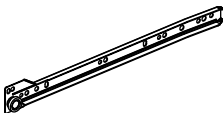


U x 15



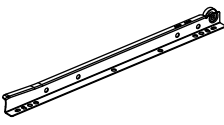
Ø 4x30mm

CL x 3



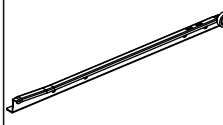
350mm

DL x 3



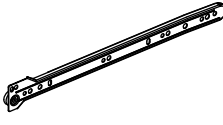
350mm

DR x 3

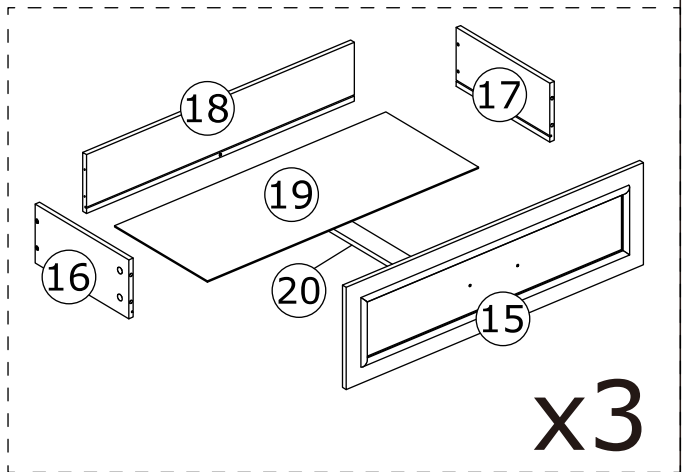
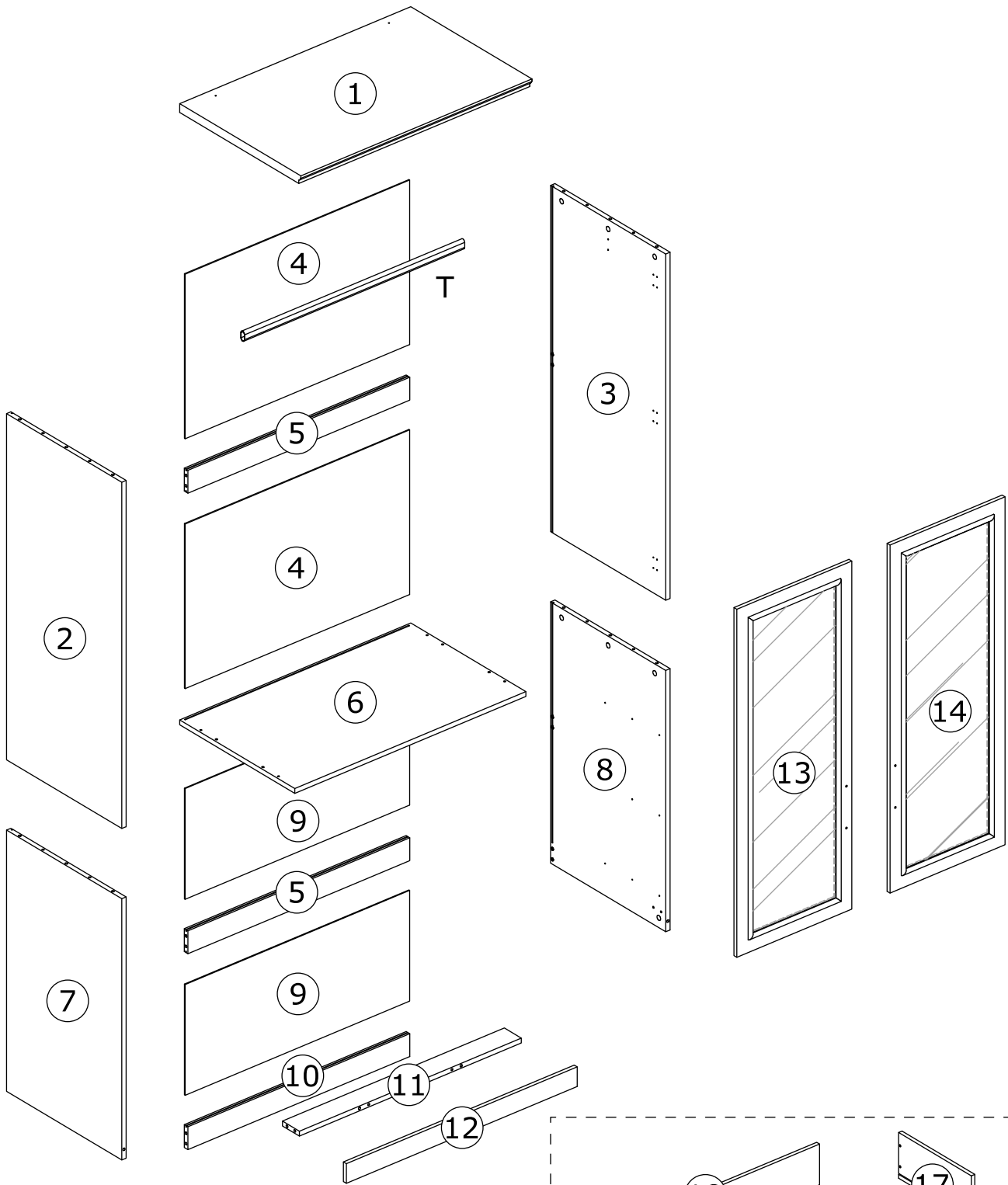


350mm

CR x 3



350mm

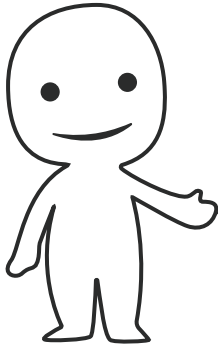


**⚠ WARNING**

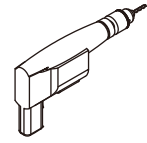
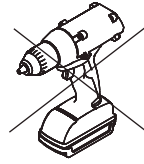
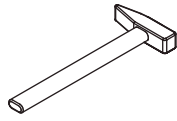
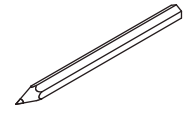
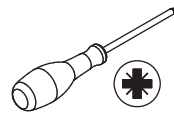
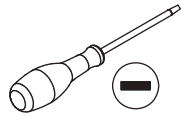
**Children have died from furniture tipover. To reduce the risk of furniture tipover:**

- ALWAYS install tipover restraint provided.
- NEVER put a TV on this product.
- NEVER allow children to stand, climb or hang on drawers, doors, or shelves.
- NEVER open more than one drawer at a time.
- Place heaviest items in the lowest drawers.

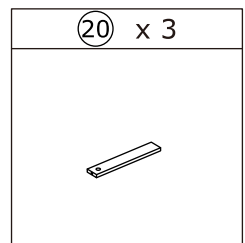
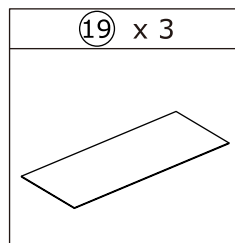
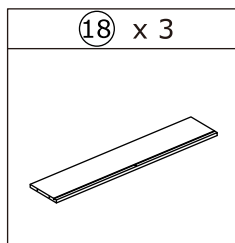
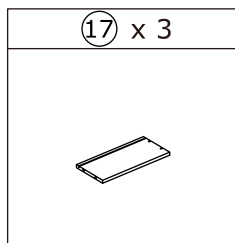
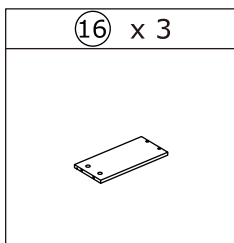
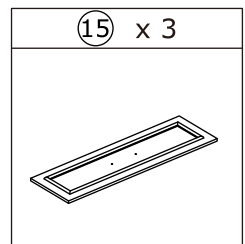
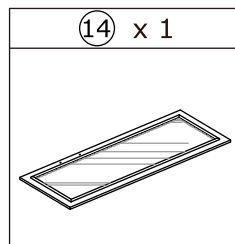
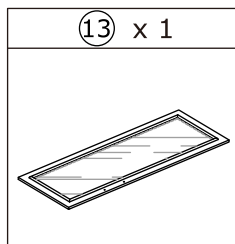
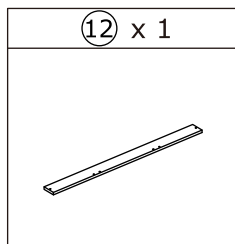
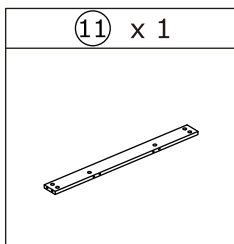
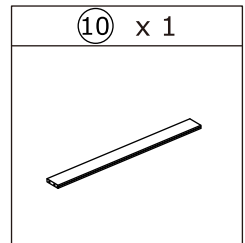
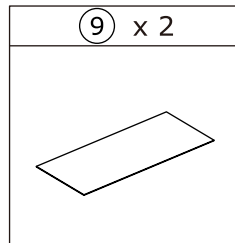
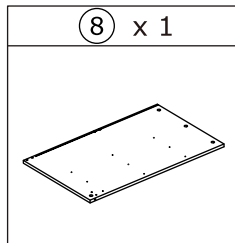
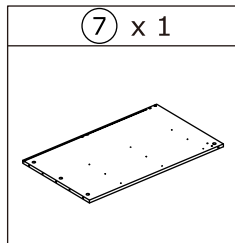
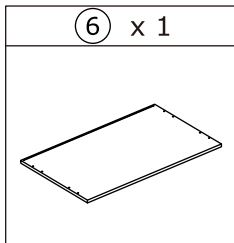
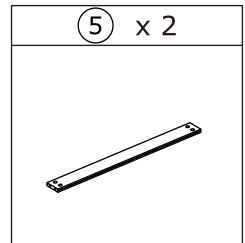
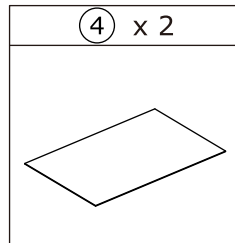
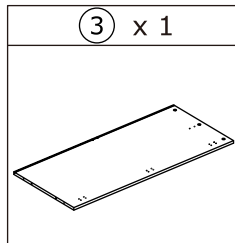
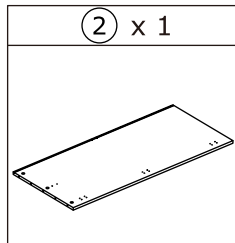
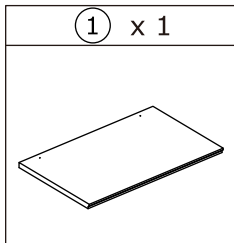
*This is a permanent label. Do not remove!*



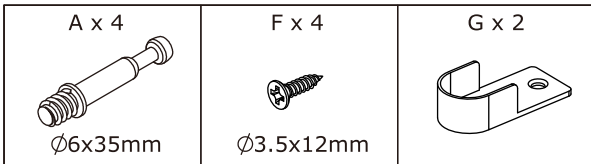
Please prepare the following tools



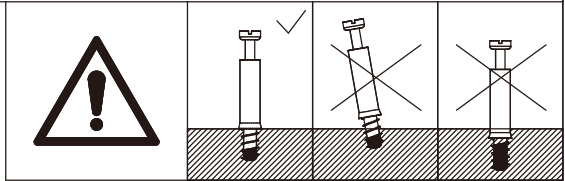
When installing, please carefully confirm whether each screw corresponds to the manual, accessories with similar shapes can be distinguished by size



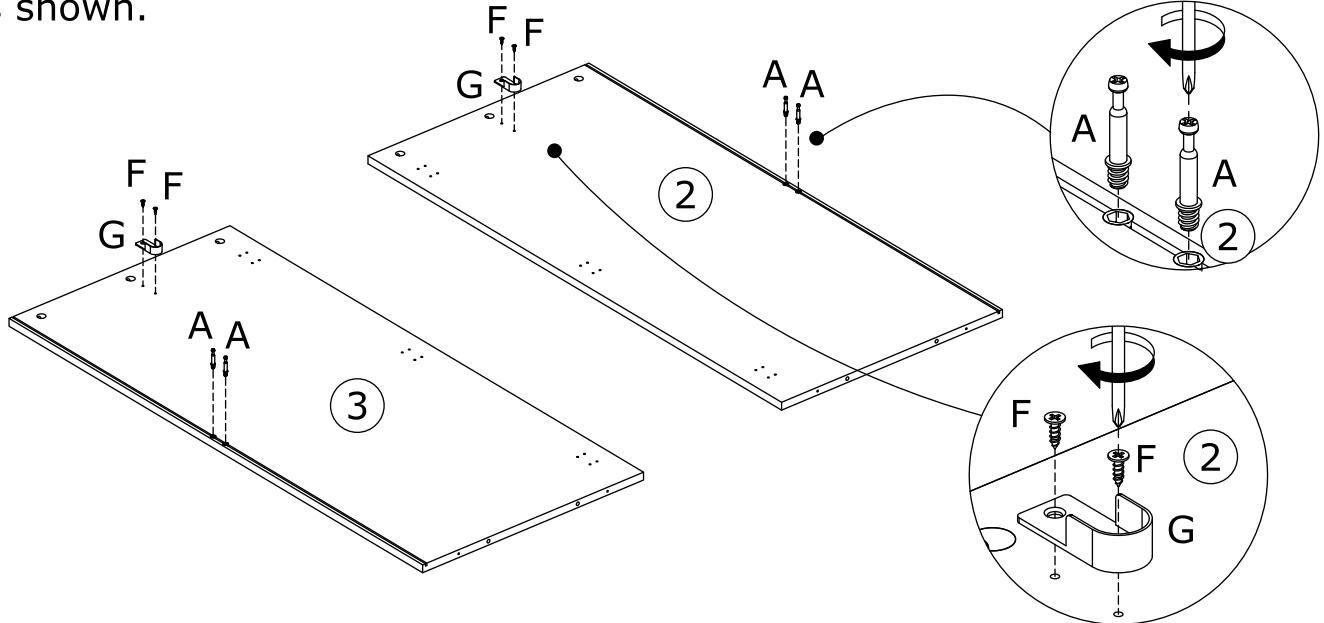
1



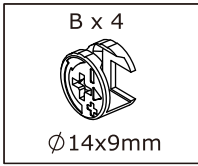
Insert quickfit screw(A) into plate 2 and 3 with a screwdriver as shown.



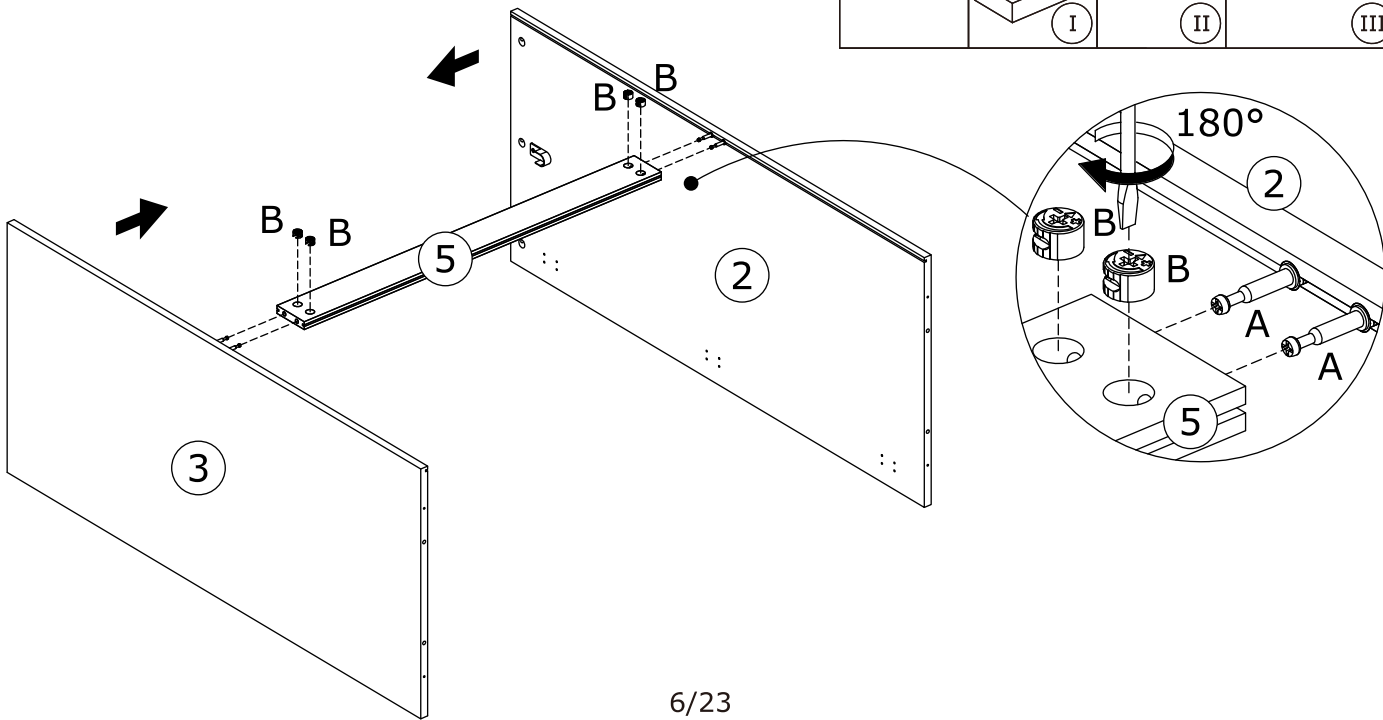
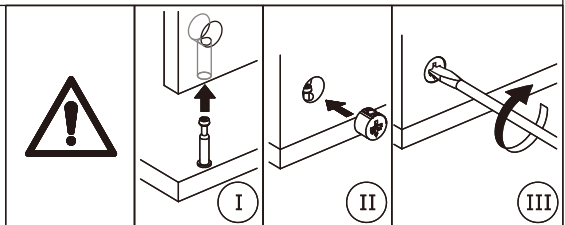
Fix part(G) to plate 2 and 3 with screw(F) as shown.



2

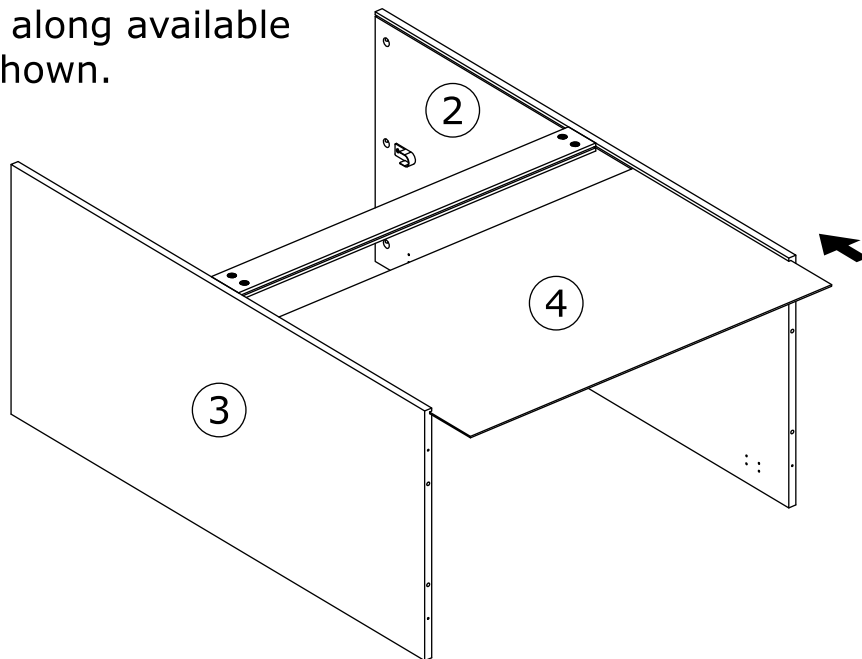


Connect plate 2 and 3 with plate 5, put cam lock(B) into plate 5 and turn clockwise to tighten as shown.

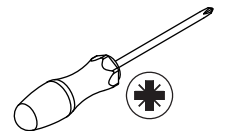
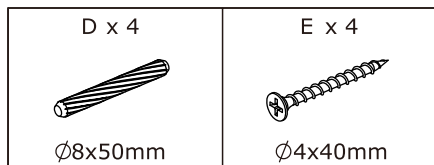


# 3

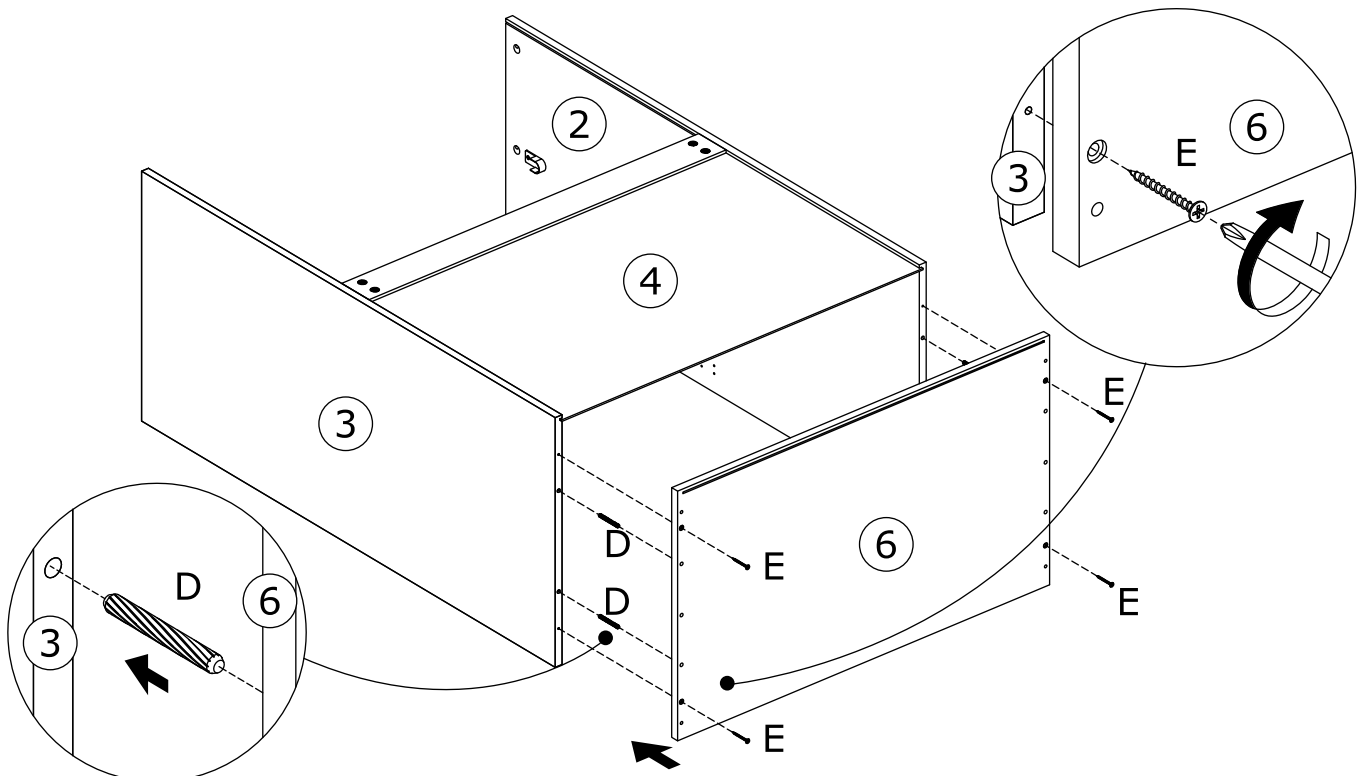
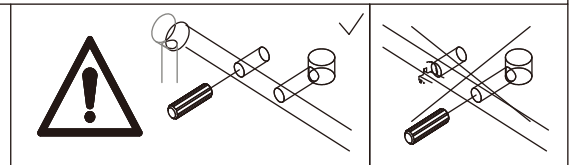
Slide plate 4 along available grooves as shown.



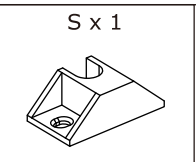
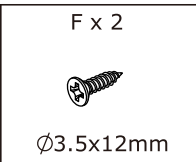
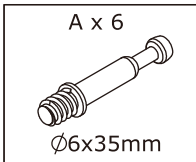
# 4



Insert long wooden dowel(D) into plate 2 and 3 at first, attach plate 6 and fix with screw(E) as shown.

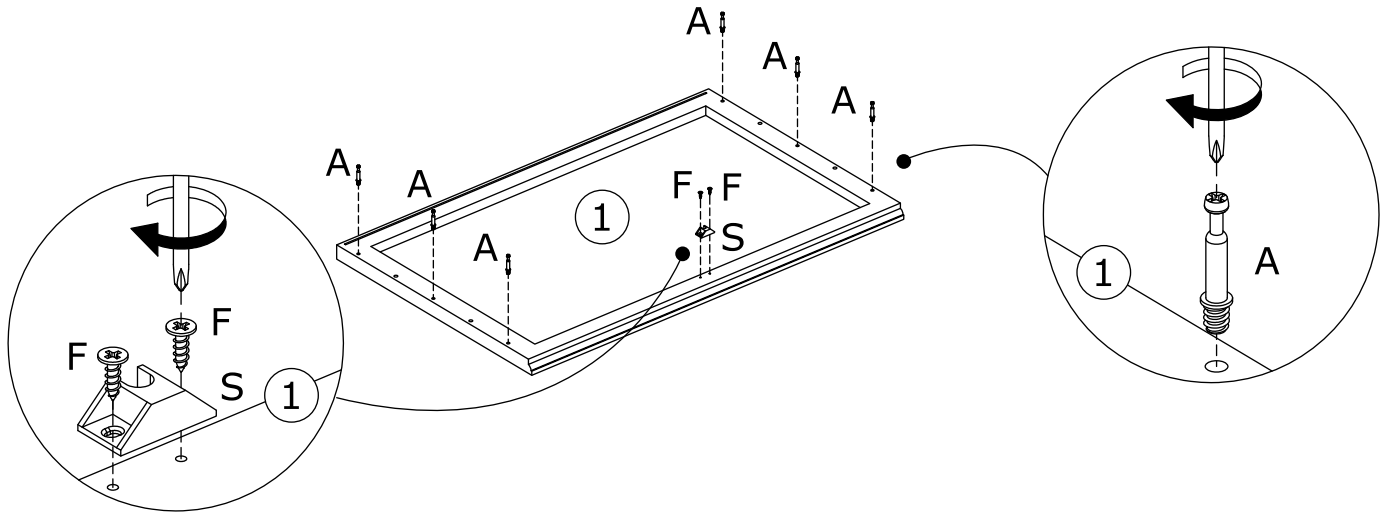
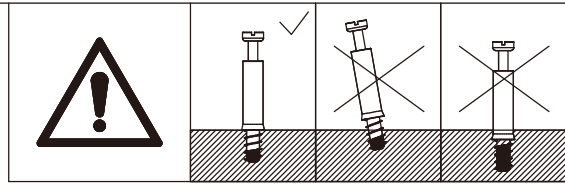


5



Insert quickfit screw(A) into plate 1 with a screwdriver as shown.

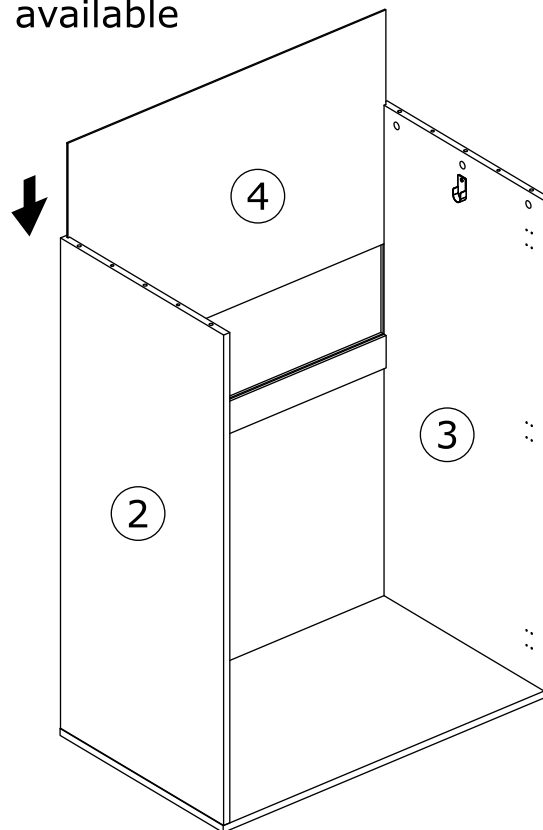
Fix part(S) to plate 1 with screw(F) as shown.



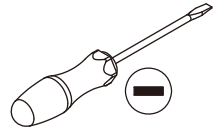
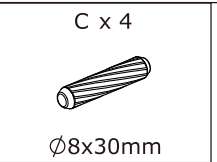
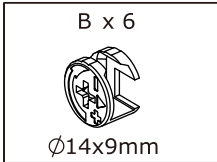
6



Slide plate 4 along available grooves as shown.

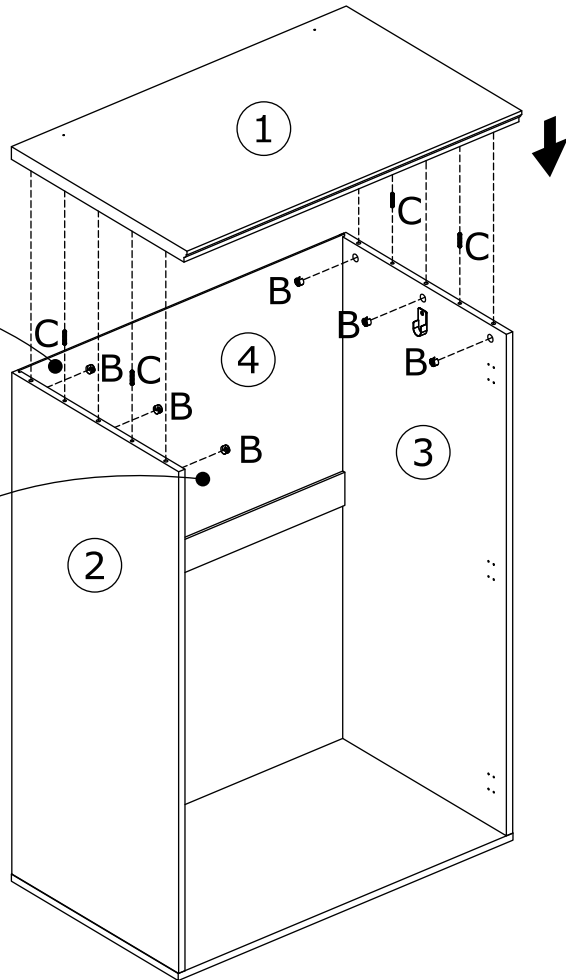
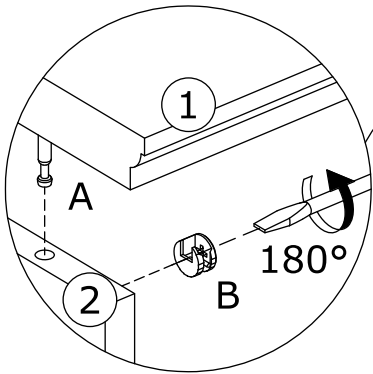
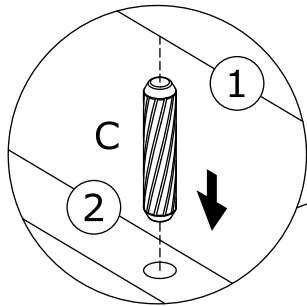
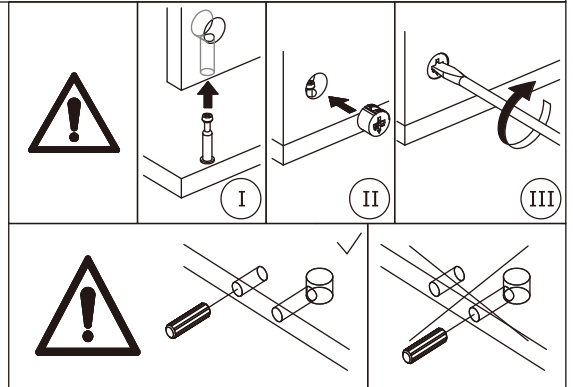


7

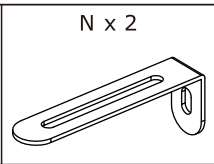
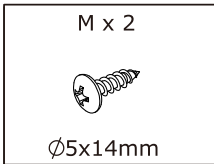


Insert wooden dowel(C) into plate 2 and 3 at first, cover plate 1.

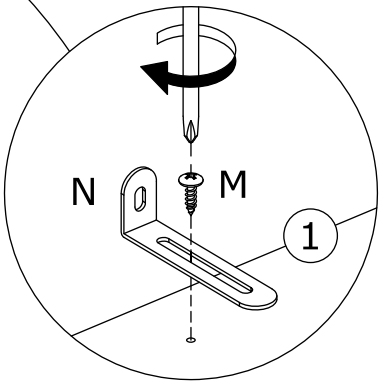
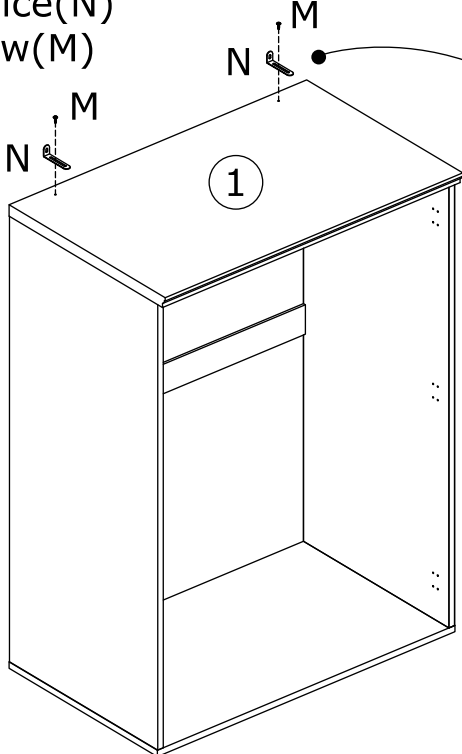
Put cam lock(B) into plate 2,3 and turn clockwise to tighten as shown.



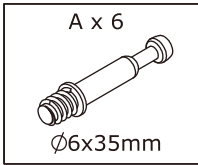
8



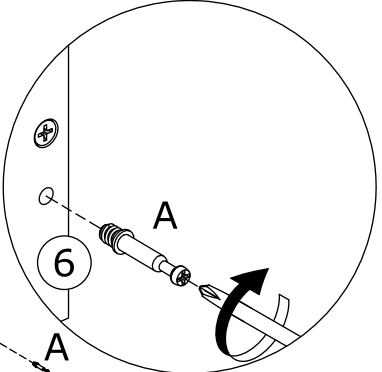
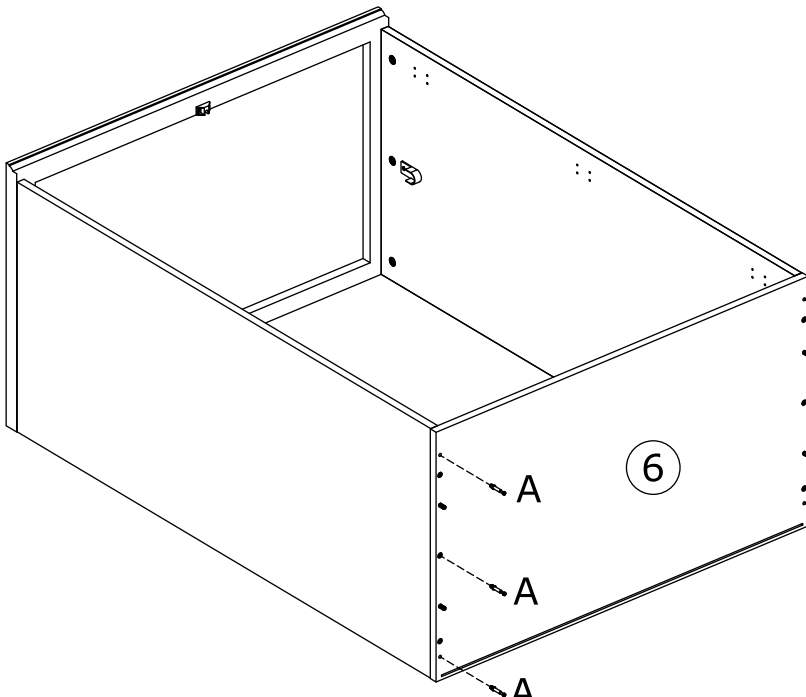
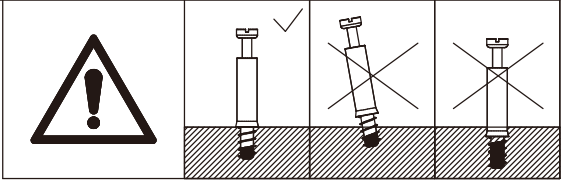
Fix anti-tipping device(N) to plate 1 with screw(M) as shown.



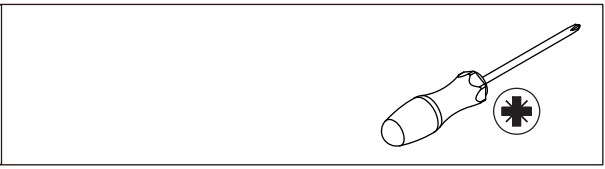
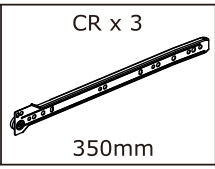
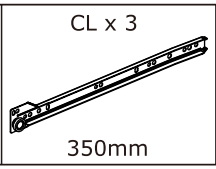
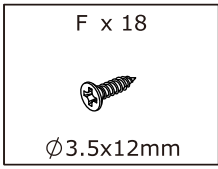
9



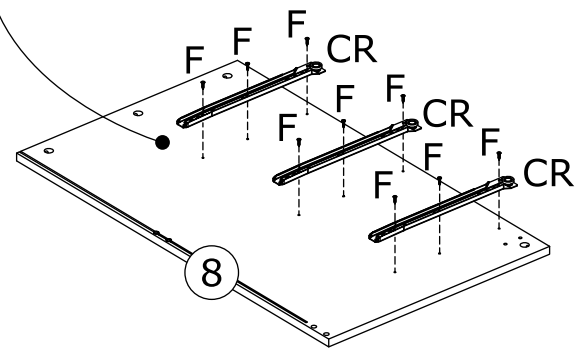
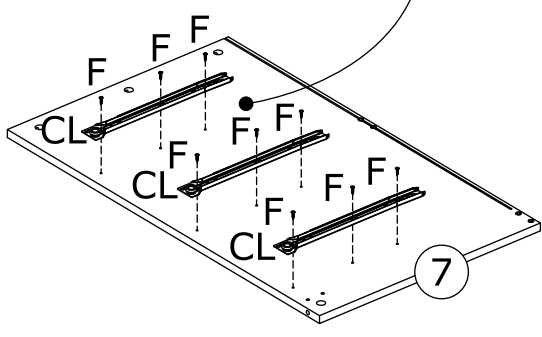
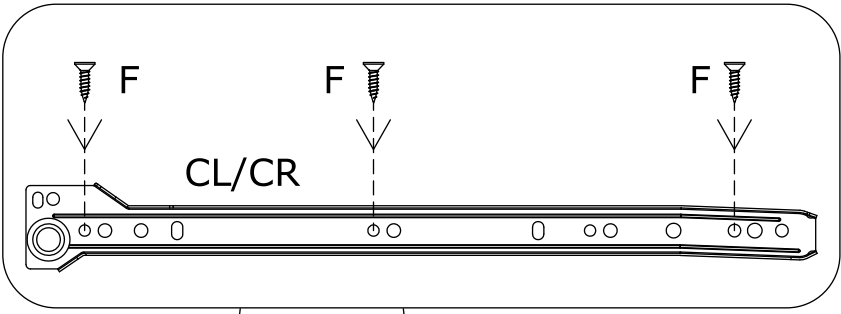
Insert quickfit screw(A) into plate 6 with a screwdriver as shown.



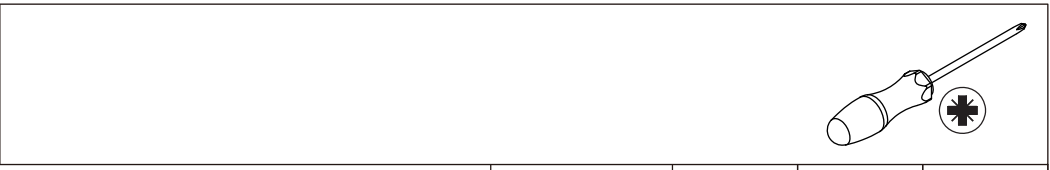
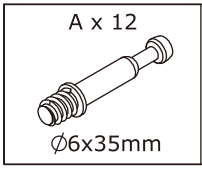
10



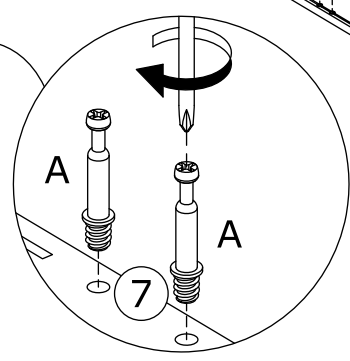
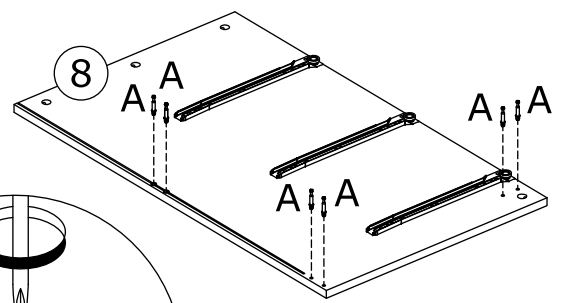
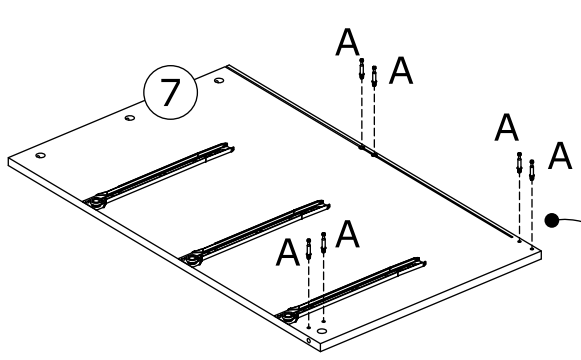
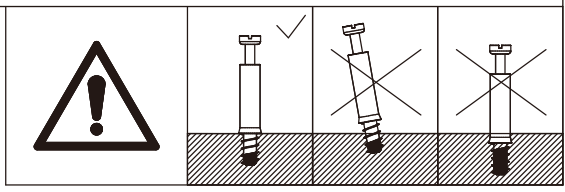
Fix slide rail(CL) and (CR) to plate 7 and 8 respectively with screw(F) as shown.



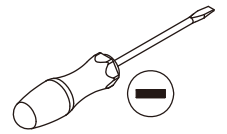
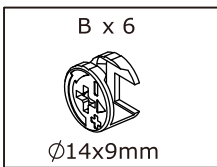
11



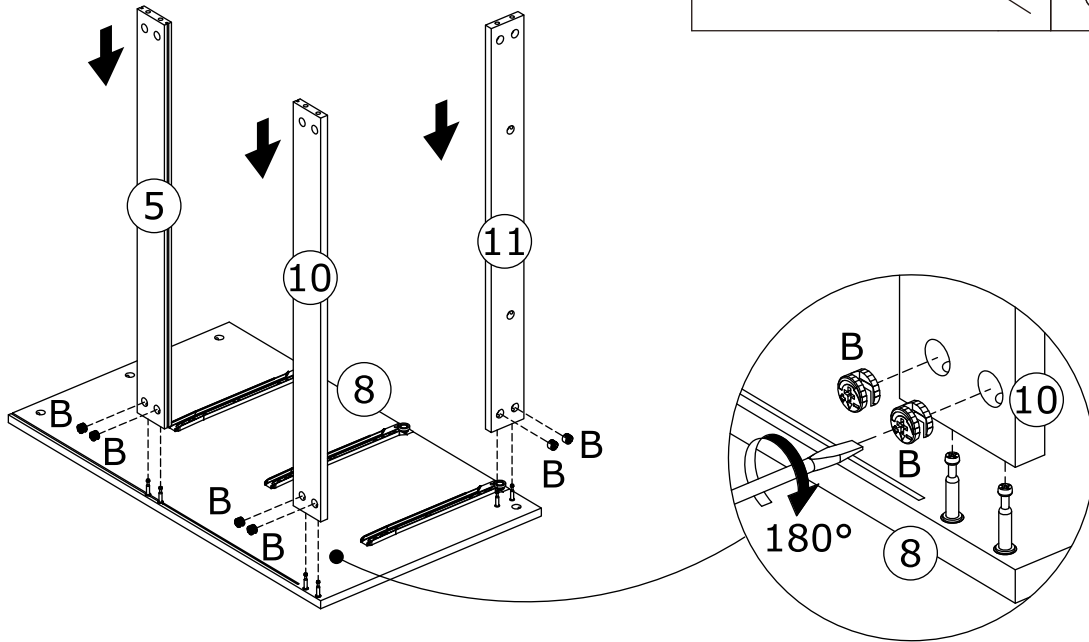
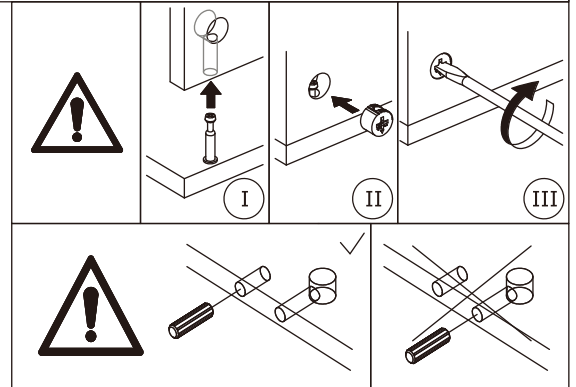
Insert quickfit screw(A) into plate 7 and 8 with a screwdriver as shown.



# 12

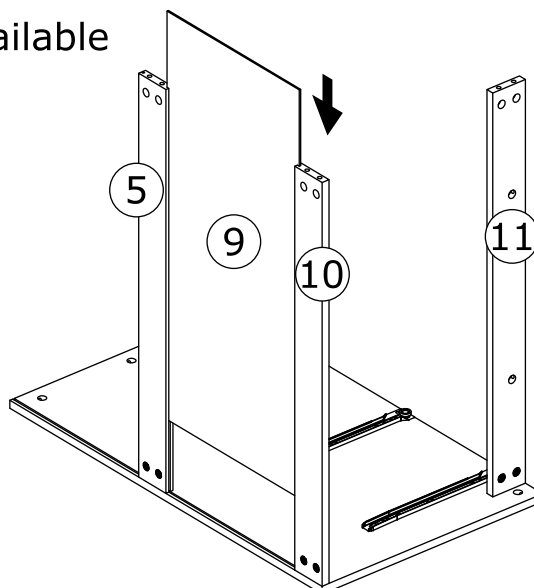


Attach plate 5, 10 and 11 to plate 8, put cam lock(B) into plate 5,10,11 and turn clockwise to tighten as shown.

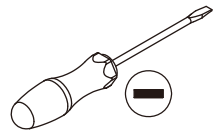
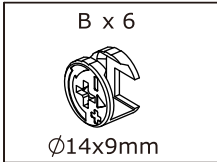


# 13

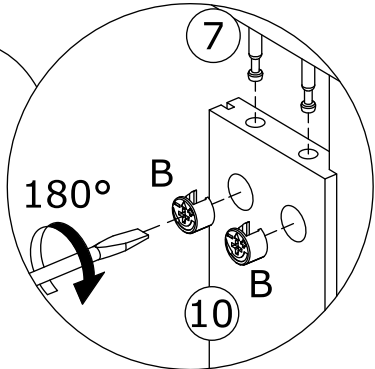
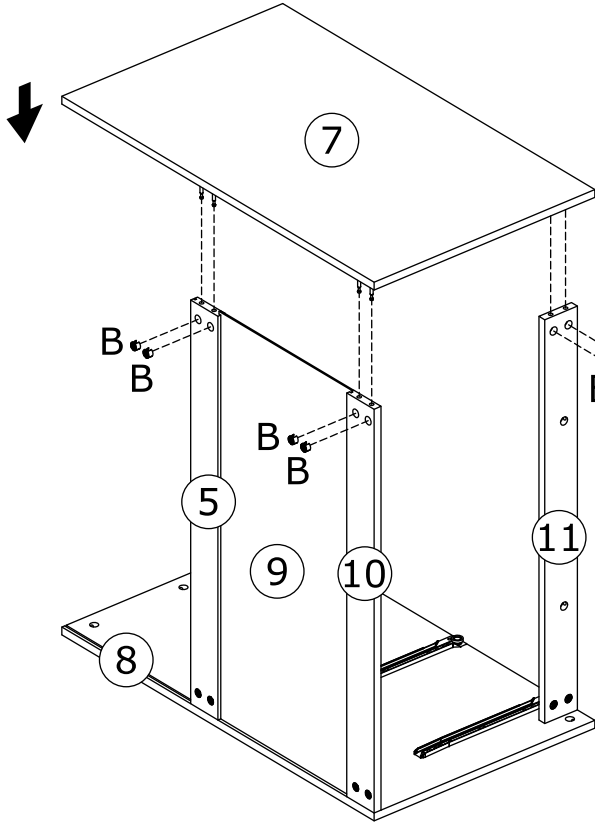
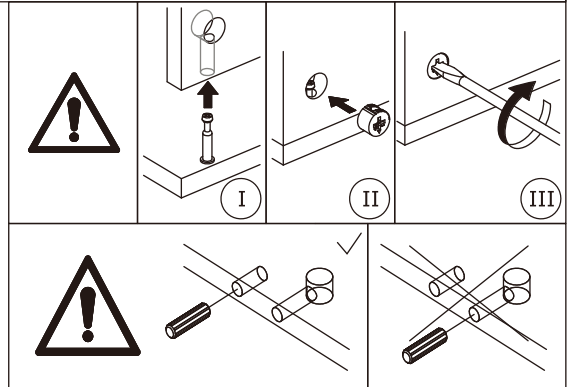
Slide plate 9 along available grooves as shown.



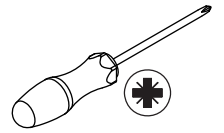
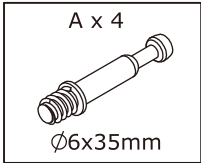
# 14



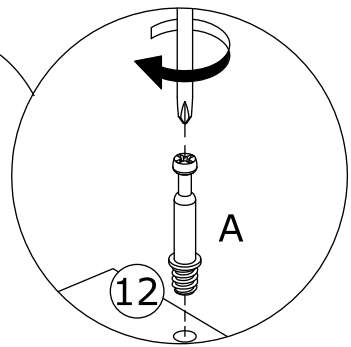
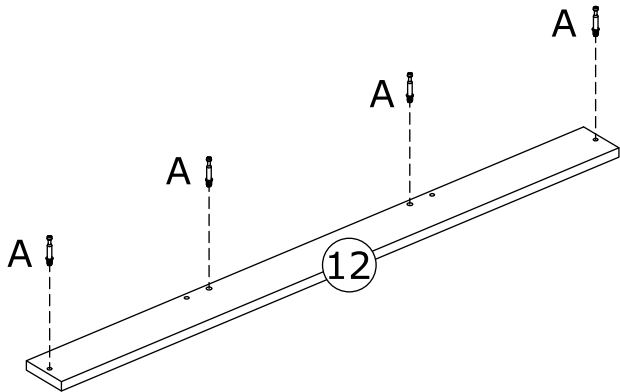
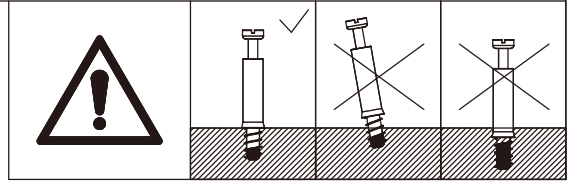
Attach plate 7 to plate 5, 10 and 11,  
put cam lock(B) into plate 5,10,11  
and turn clockwise to tighten as shown.



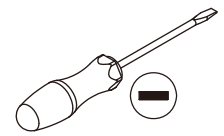
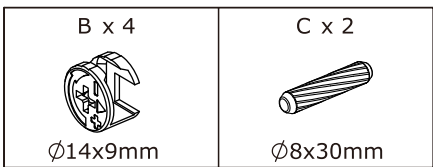
# 15



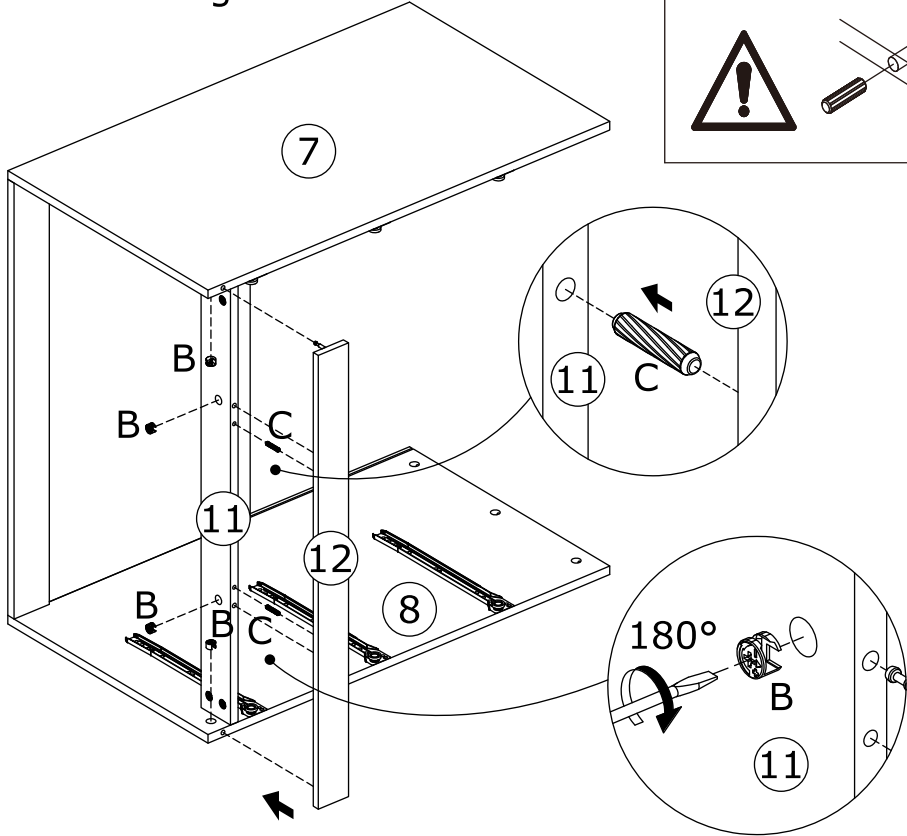
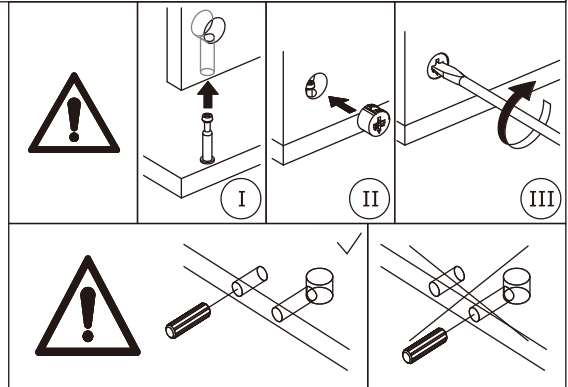
Insert quickfit screw(A) into plate 12  
with a screwdriver as shown.



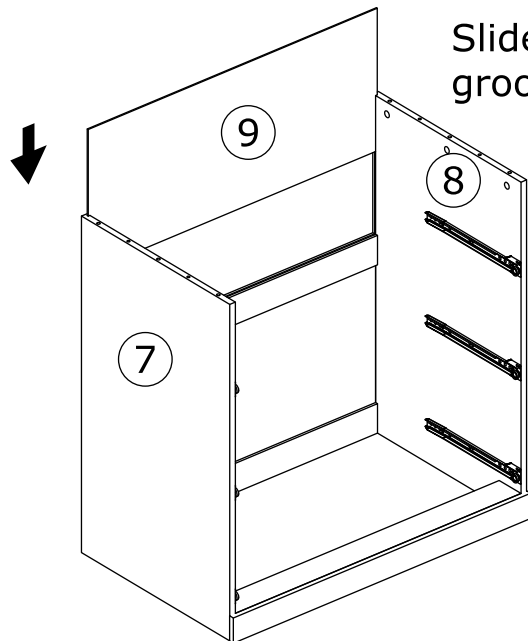
# 16



Insert wooden dowel(C) into plate 12 at first, attach plate 12 to plate 7, 11 and 8.  
Put cam lock(B) into plate 7,11,8 and turn clockwise to tighten as shown.

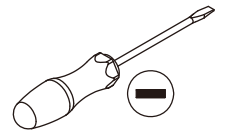
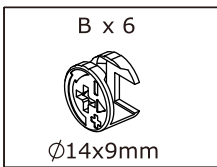


# 17



Slide plate 9 along available grooves as shown.

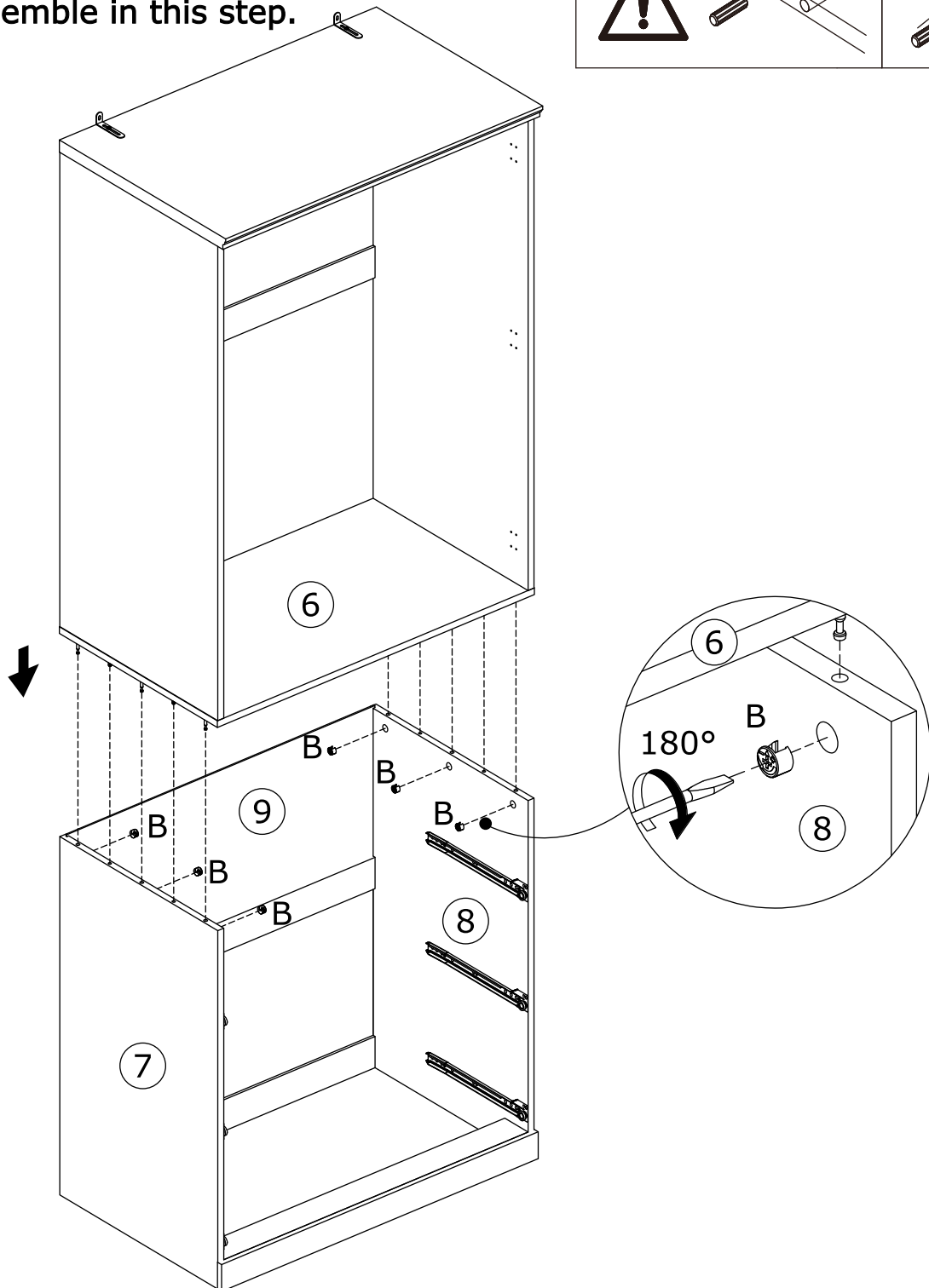
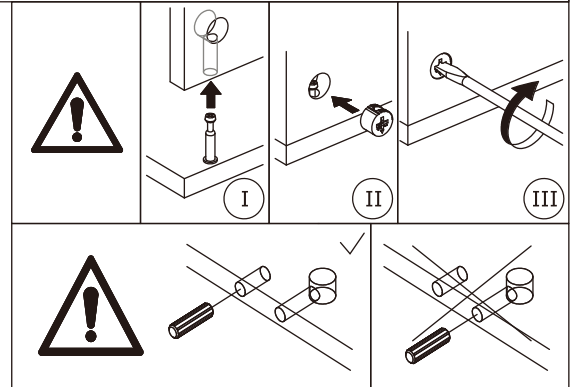
# 18




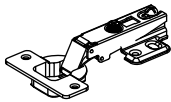

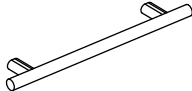
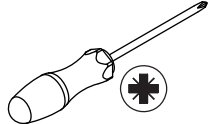
Connect the two component.

Put cam lock(B) into plate 7,8 and turn clockwise to tighten as shown.

We suggest more than two people to assemble in this step.

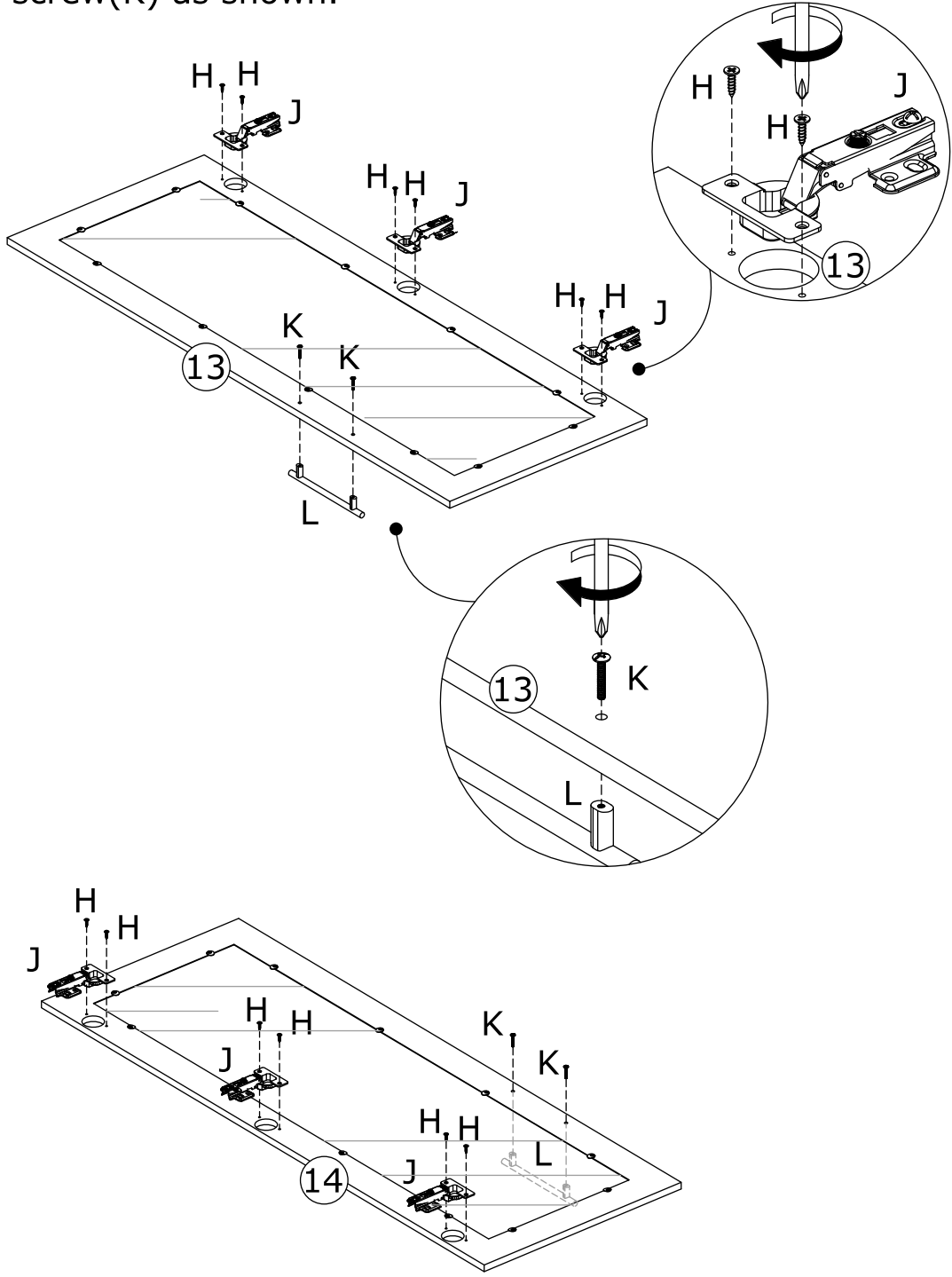


# 19


H x 12  Ø4x12mm	J x 6 	K x 4  M4x18mm	L x 2 	
--	--	---	---	--

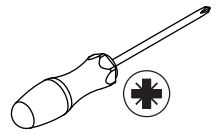
Fix hinge(J) to plate 13 and 14 with screw(H) as shown.

Fix handle(L) to plate 13 and 14 with screw(K) as shown.

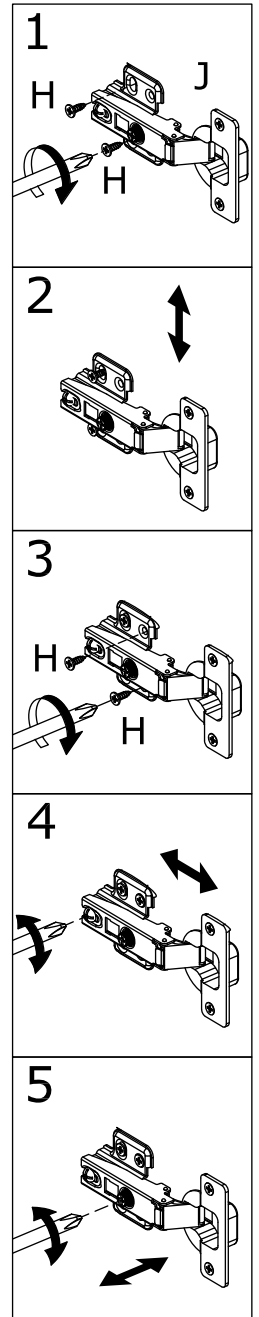
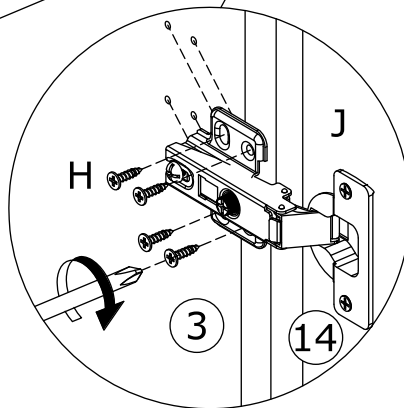
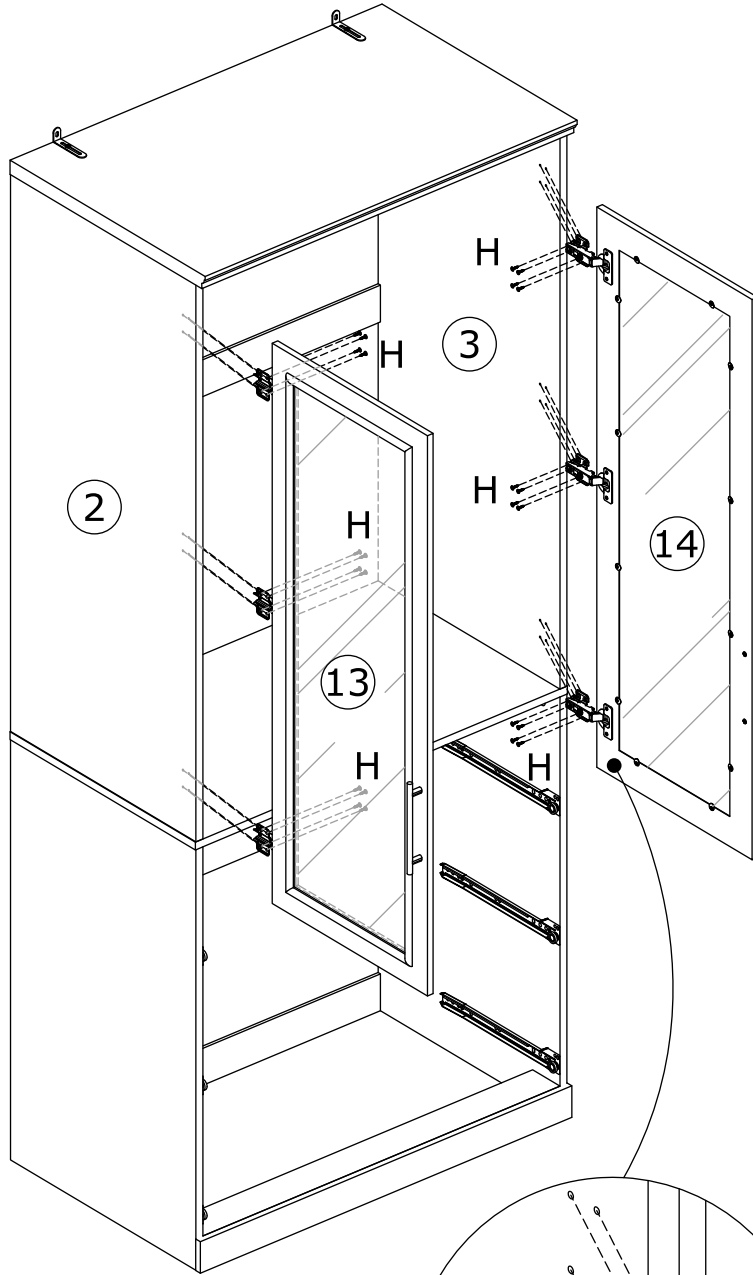


20

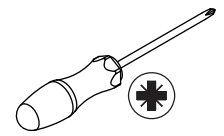
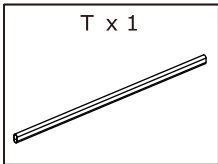
H x 24  
  
Ø4x12mm



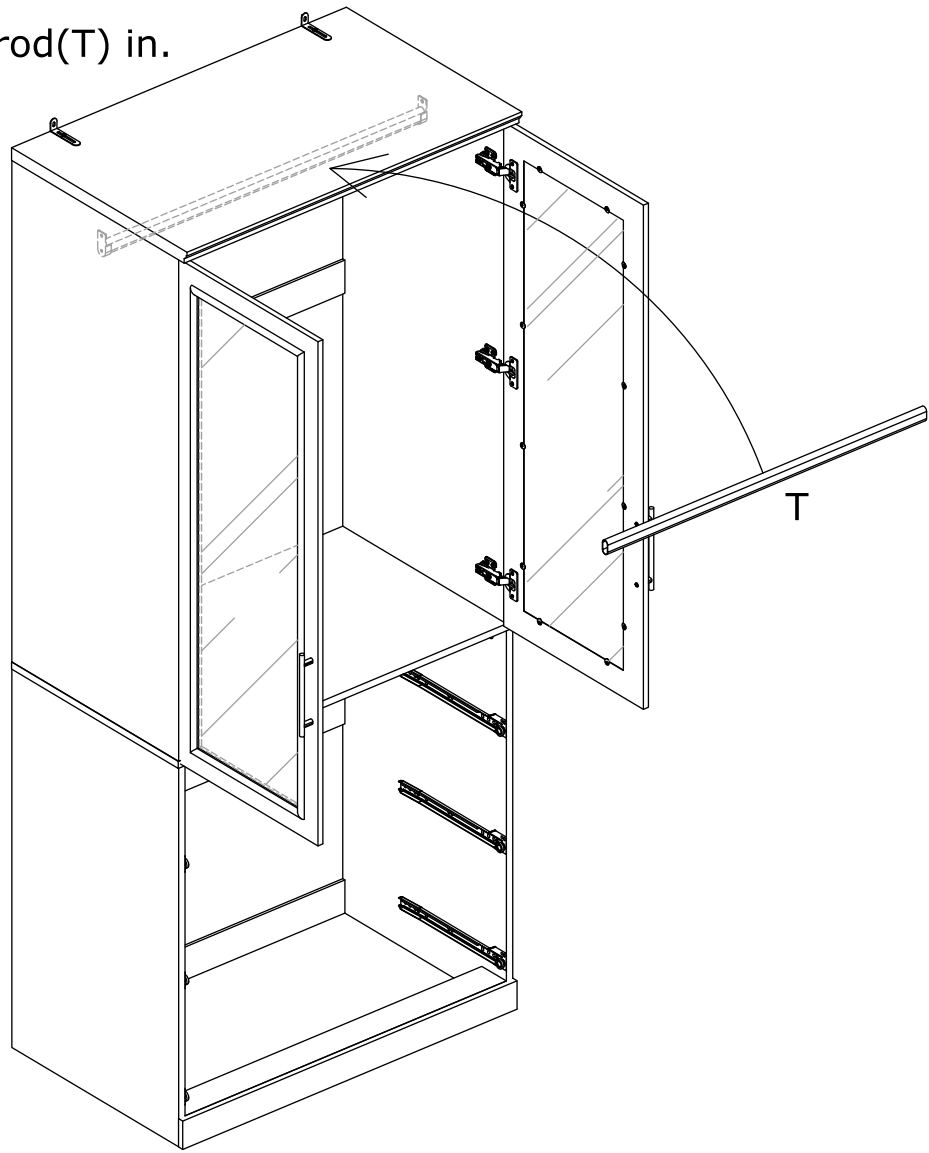
Attach door plate 13 to plate 2; door plate 14 to plate 3 by fixing hinge with screw(H) as shown.



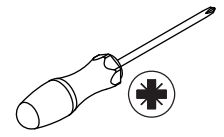
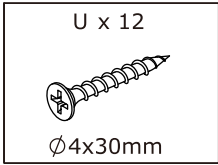
21



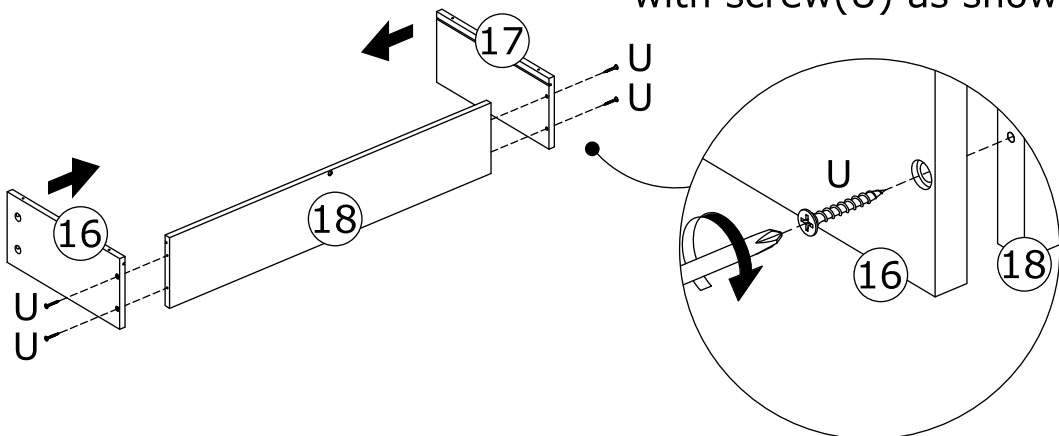
Place clothing rod(T) in.



22

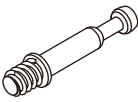


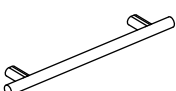
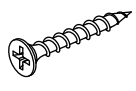
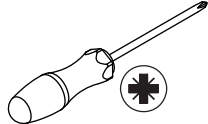


Fix plate 16 and 17 to plate 18 with screw(U) as shown.

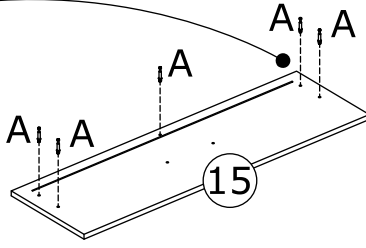
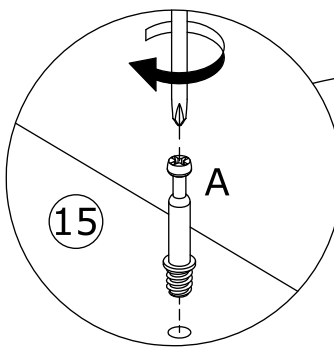
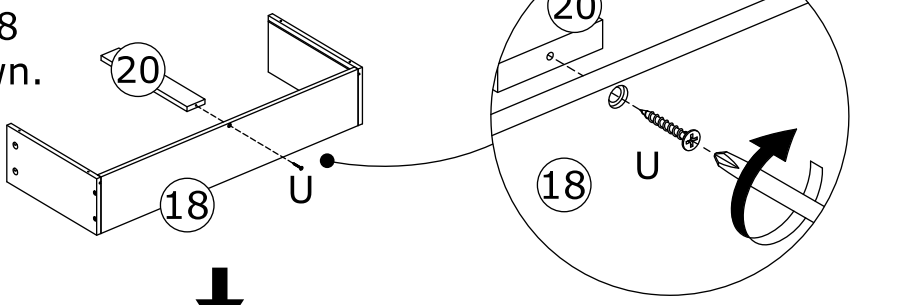


x3

23

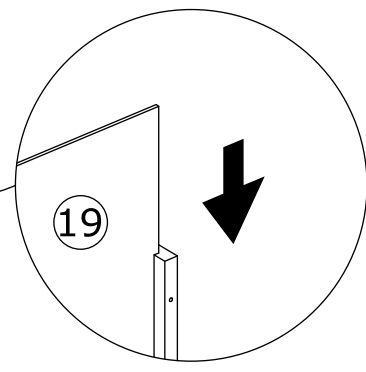
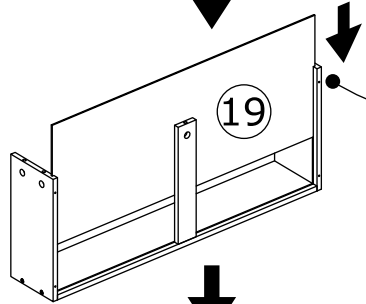
A x 15  Ø6x35mm	B x 15  Ø14x9mm	K x 6  M4x18mm	L x 3 	U x 3  Ø4x30mm	
---	--	---	---	---	--

Fix plate 20 to plate 18 with screw(U) as shown.

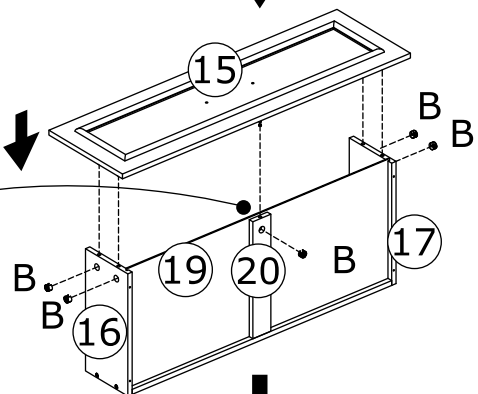
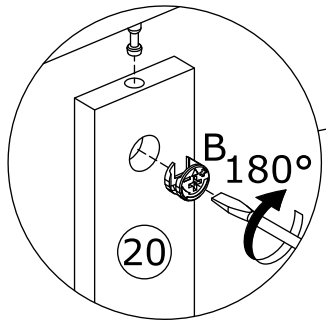


Insert quickfit screw(A) into plate 15.

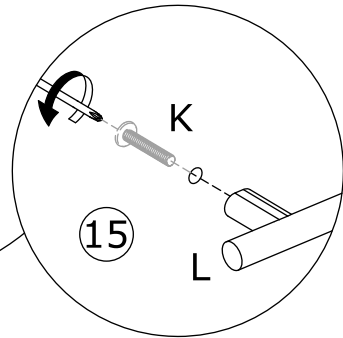
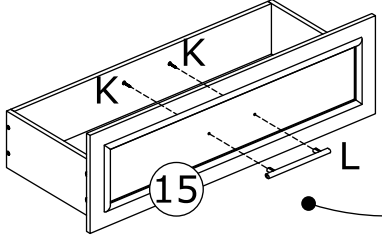
Slide plate 19 along grooves.




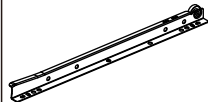

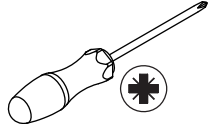
Attach plate 15 to the drawer component, turn cam lock(B) in plate 16,20,17 clockwise to tighten as shown.

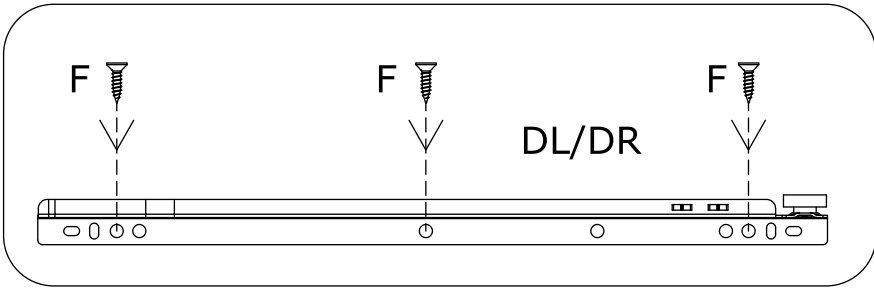


Fix handle(L) with screw(K) as shown.



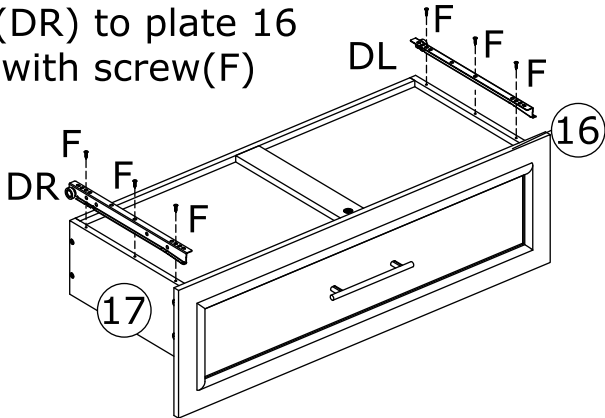
24

F x 18  Ø3.5x12mm	DL x 3  350mm	DR x 3  350mm	
--	---	---	--



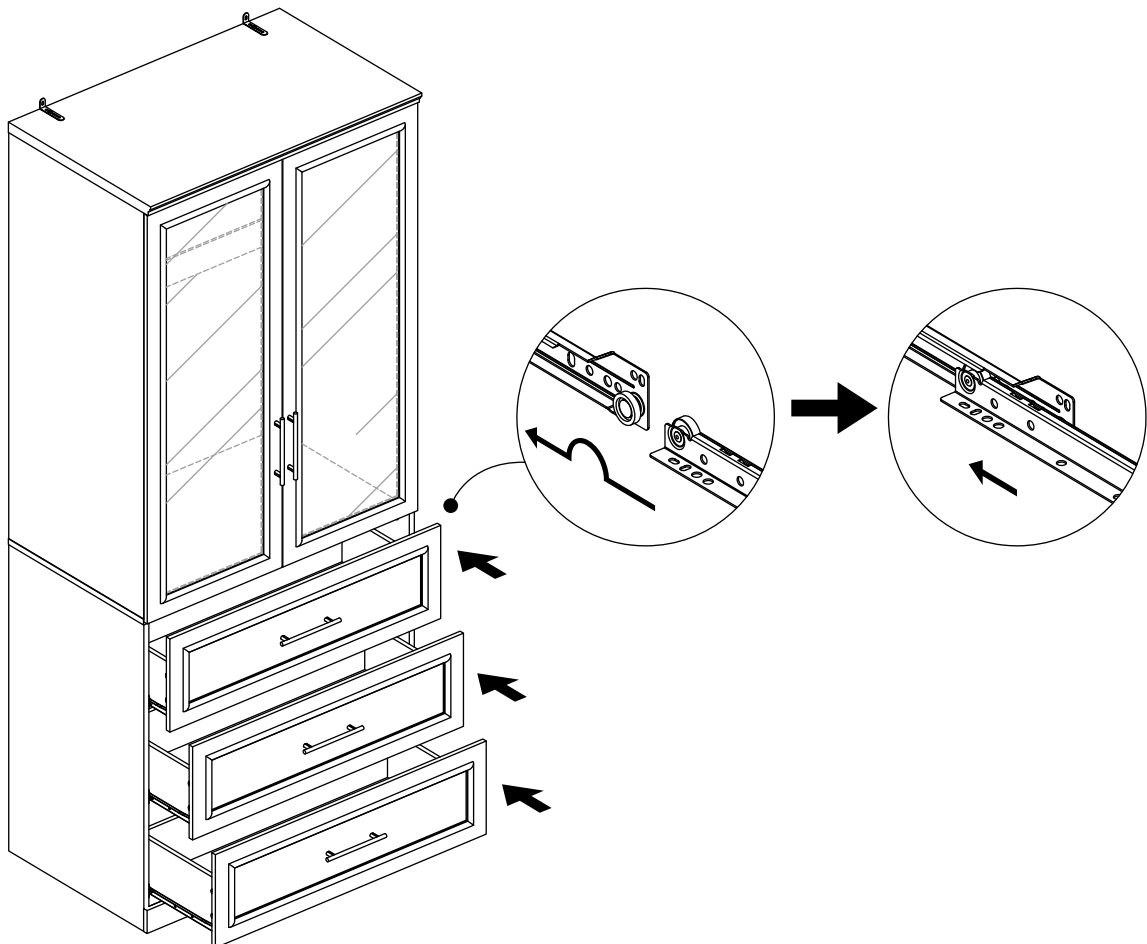
x3

Fix runner(DL) and (DR) to plate 16 and 17 respectively with screw(F) as shown.

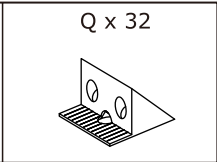
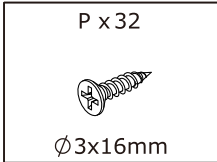


25

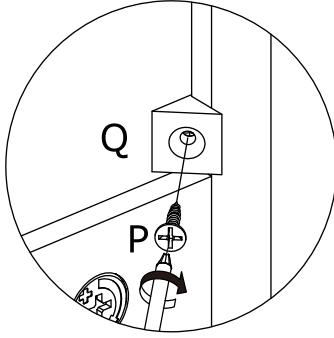
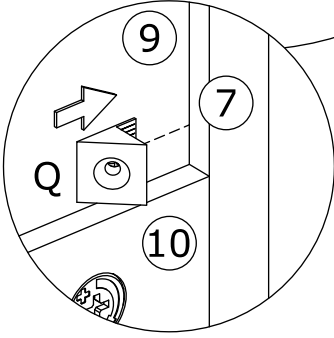
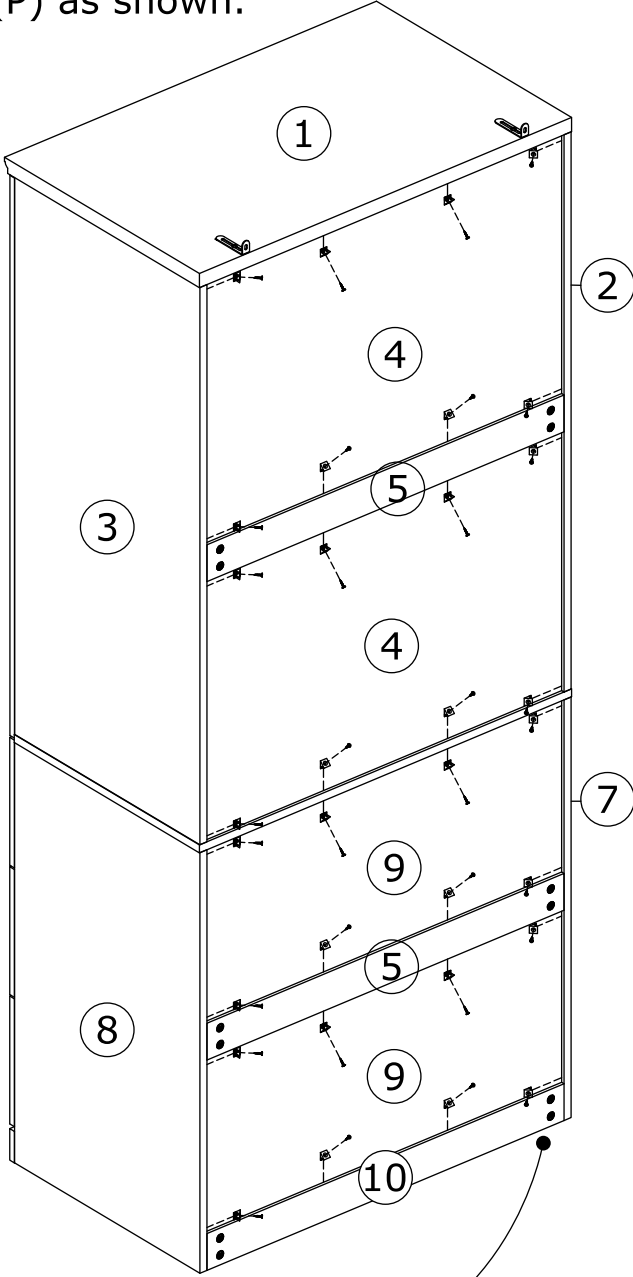

--



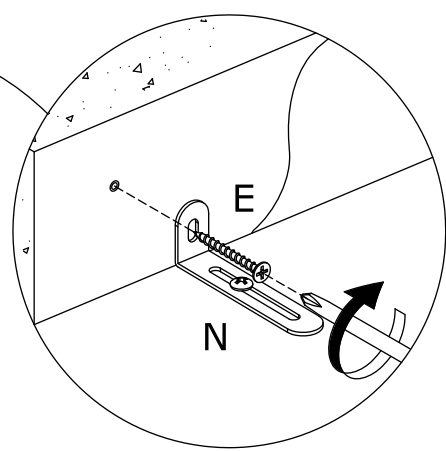
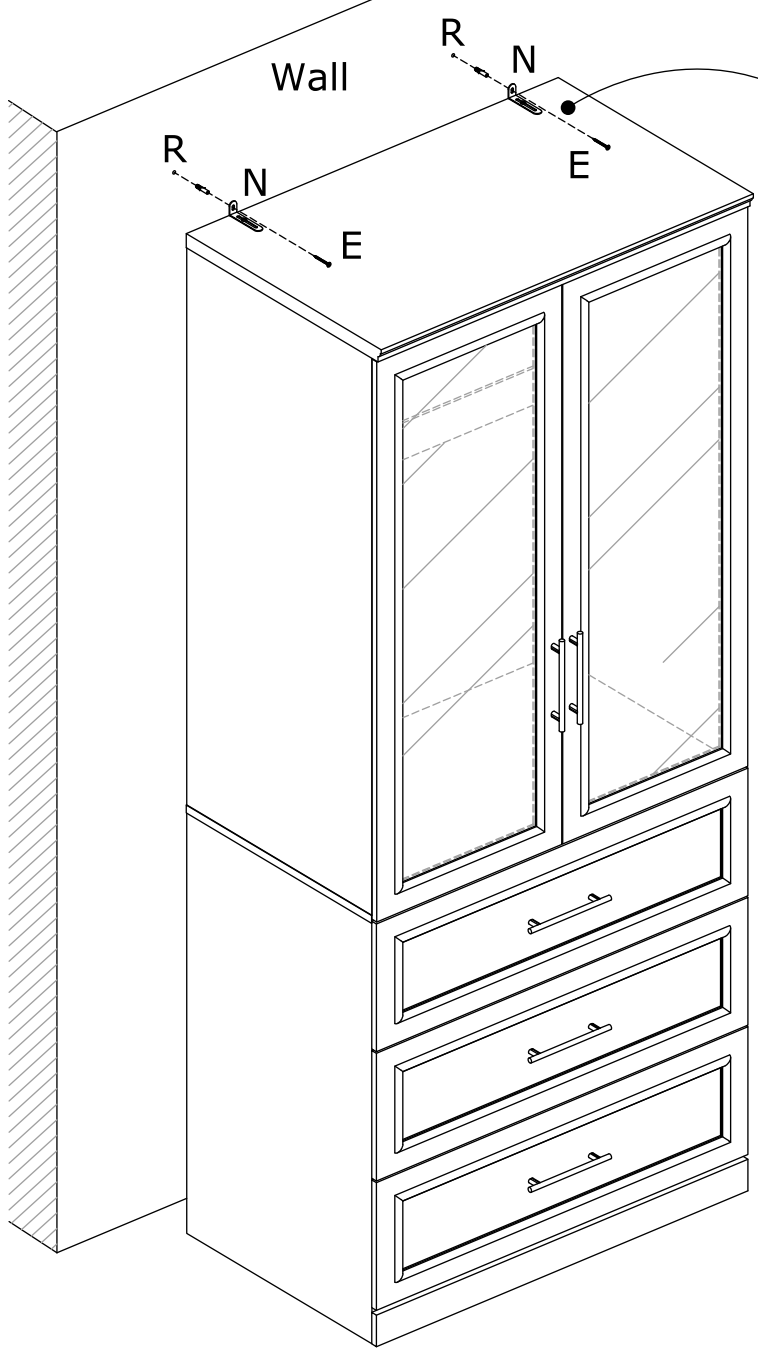
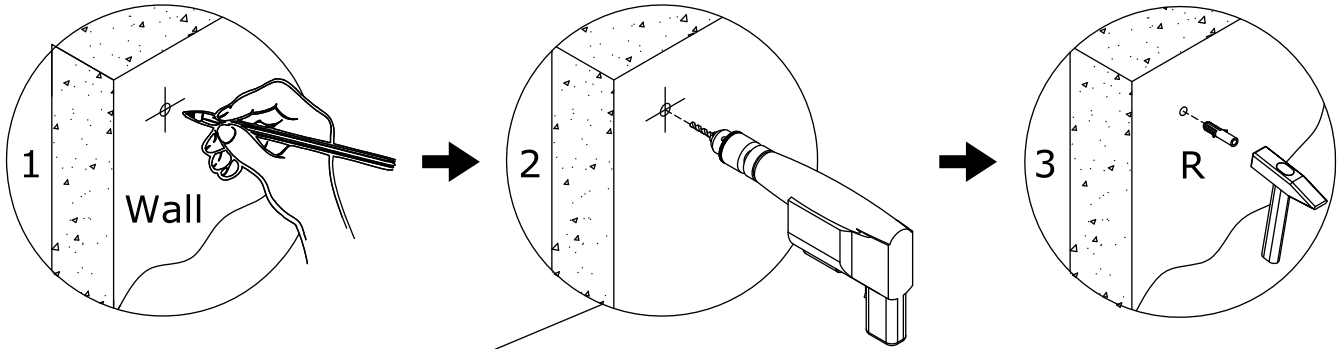
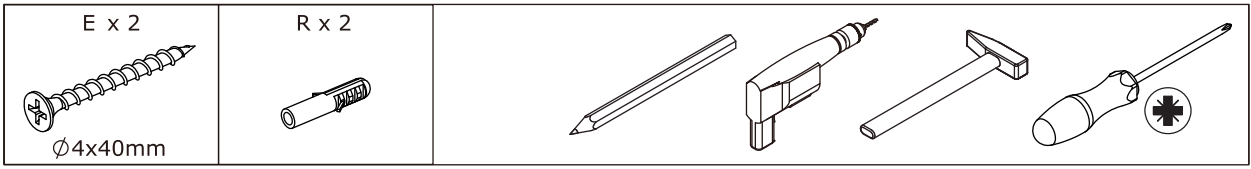
26



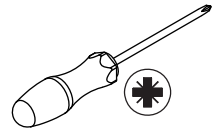
Insert buckle(Q) into back slots,  
and fix with screw(P) as shown.



27

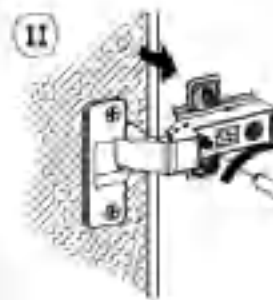
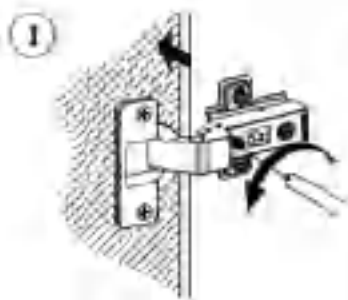
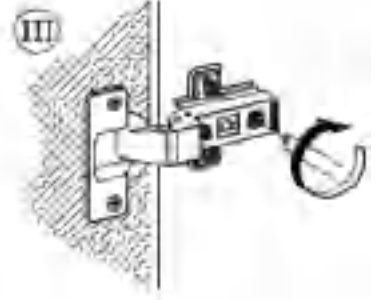
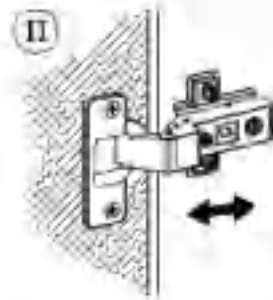
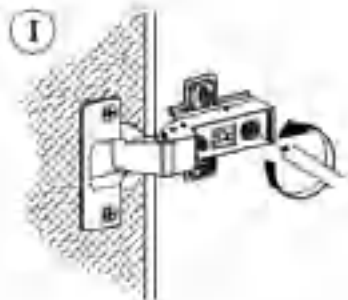
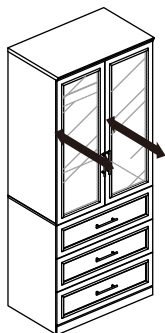
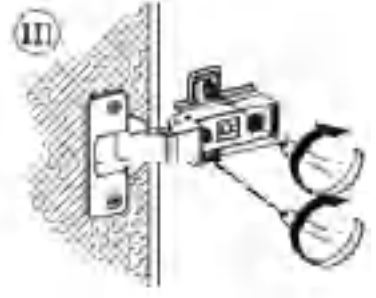
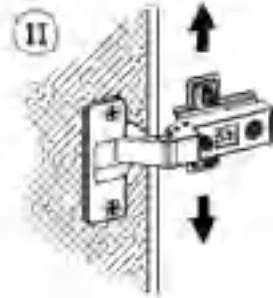
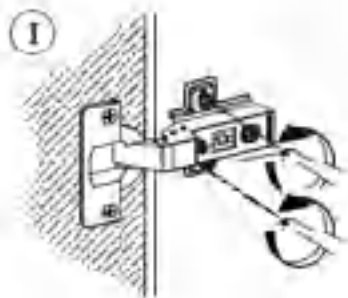
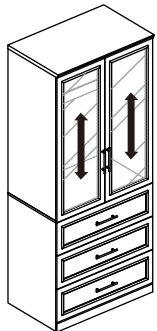


Install anti-tipping device as shown.



More detailed hinge adjustment mode:

- 1) Rotate out the screws connected with the cabinet counterclockwise, adjust the gap between the overall door frame and the upper and lower, and then rotate the screws clockwise after adjusting;
- 2) Rotate the screws at the end of the hinge counterclockwise to adjust the gap between the whole door frame and the cabinet before and after the adjustment, and then rotate the screws clockwise (rotate out to the movable door frame, do not need to over-rotate out);
- 3) Counterclockwise rotation of the screws in the middle of the hinge will offset the corresponding part of the rear door frame to the left, and clockwise rotation of the screws in the middle of the hinge will offset the corresponding part of the rear door frame to the right



# WARRANTY

## WARRANTY CLAIMS

- There is a 30-day warranty for broken furniture or any other problems that do not work properly. The warranty will start from the date of purchase which must be verified by proof of purchase.
- Before making a claim, we may be able to answer your query, simply call us. Please leave your purchase order number, along with some details of the problem, if you want a replacement part. We will arrange within 48 hours. If there is out of stock, we will reply with a shipping date.
- The product must be used in accordance with the instructions provided. For health reasons.
- For other reasons, if the furniture needs to be returned, it must be cleaned and dried and operated within 30 days of receipt.

## Type of Warranty Claim

- Failure to follow the furniture instructions will invalidate the warranty. Attention please.
- Does not include damage during installation, but includes damage during transportation.

## Scope of responsibility

- Shall not bear any responsibility for misuse or user damage and / or loss of parts during the installation of furniture.
- After using, the damage and scratches of the furniture are not covered by the warranty.

## The Warranty Relates to All Bought in The Us and Covers The Following Areas

- Sheet parts: 1 month from the date of purchase.
- Electrical parts: 1 month from the date of purchase.

# RETURNS

## **CHANGED YOUR MIND AND NEED TO RETURN YOU ITEM?**

### **PLEASE FOLLOW THE BELOW INSTRUCTIONS:**

- If you have purchased and have simply changed your mind, follow the retailer's instructions for returns.

### **DEFECTIVE ITEMS**

- If your item is defective in any way, i.e. it doesn't work but you can't identify why, in the first instance, please call us.

### **DAMAGED ITEMS**

- If you receive an order with obvious shipping damage from the retailer, then we suggest the delivery is refused. If the delivery has been accepted and then shipping damage is found, please follow the specific instructions advised by the retailer. In all circumstances please save all packaging material and paperwork for the order. Please be aware that if you dispose of packaging material or attempt to return the merchandise without contacting the fulfiller, you jeopardise your chances of making a claim, and you may not receive a credit for the return.