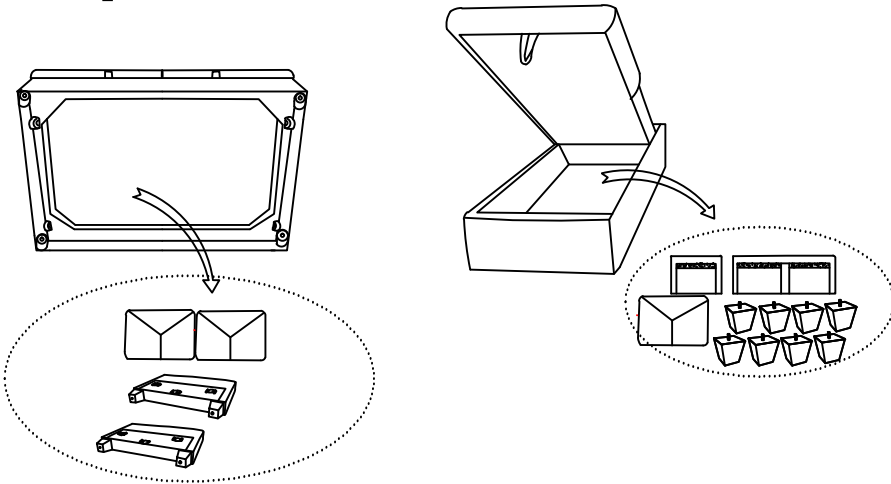
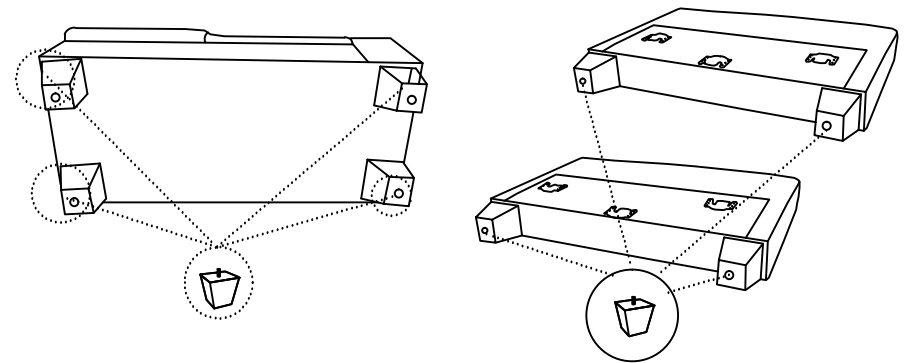


ASSEMBLY INSTRUCTION

step1

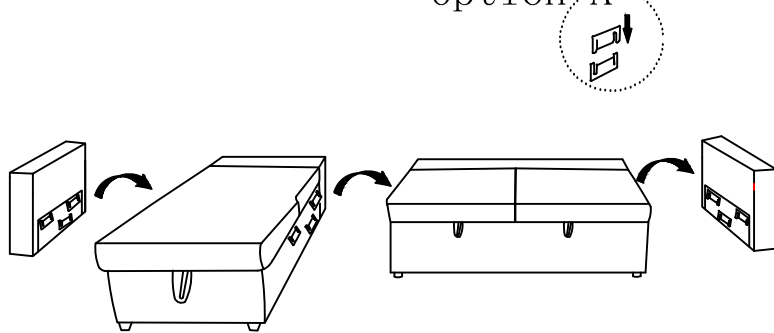


step2



step3

Option A



Option B

