

# Assembly Instructions

Caution: You must read this before you proceed

## Care & Maintenance



- Not for commercial use. For residential use only.



- Furniture may scratch floors. We recommend using furniture pads to protect your floors.



- Do not put hot items directly on furniture surface.



- Do not clean furniture with harsh cleansers or polish.



- Do not place furniture under direct sunlight.



- Do not place furniture near heating or cooling vents.



- Do not write on furniture without a padded barrier to protect the surface.



- Do not place furniture outside . For indoor use only.



- Stains may be removed with mild soap solution and damp cloth.

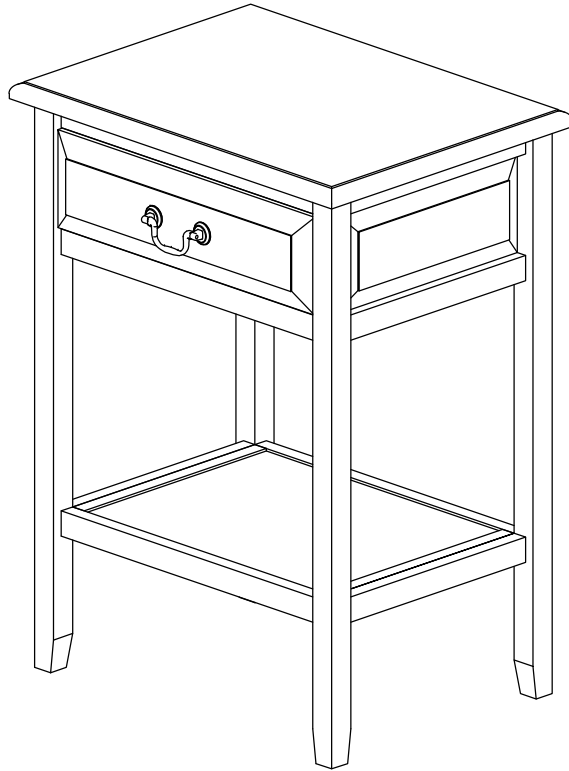


- Children should not climb or jump on the furniture.

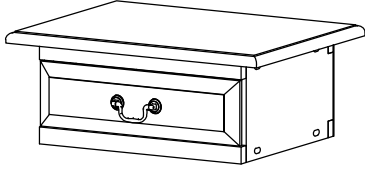
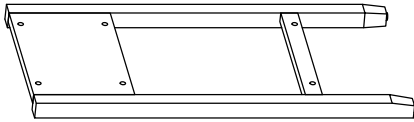



- Dust and pick-up spills using a clean, non-colored, lint-free cloth.

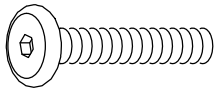

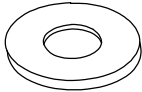
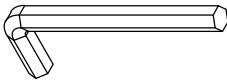
# END TABLE




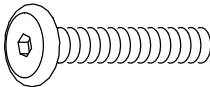
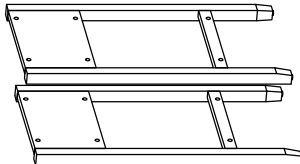




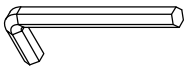
## Parts List

Lable	Picture	Description	Q.ty
A	 A line drawing of the table top, which is a square panel with a drawer on the left side and a handle.	Table Top	01
B	 A line drawing of the legs and side frame, showing two legs and a side rail connected by a crossbar.	Legs Side Frame	02
C	 A line drawing of a rectangular shelf.	Shelf	01

## Hardware

Lable	Picture	Description	Q.ty
①		Bolt (M6 x 30mm)	13
②		Spring Washer	13
③		Flat Washer	13
⑤		Allen Key	01

## Assembly Preparation

<p><b>Before Begining Assembly</b></p>			*13
			*13
			*13
			*1



- Read instruction, cover to cover.



- Have 2 adults on hand for assembly.



- Do not assemble on flooring or carpet.



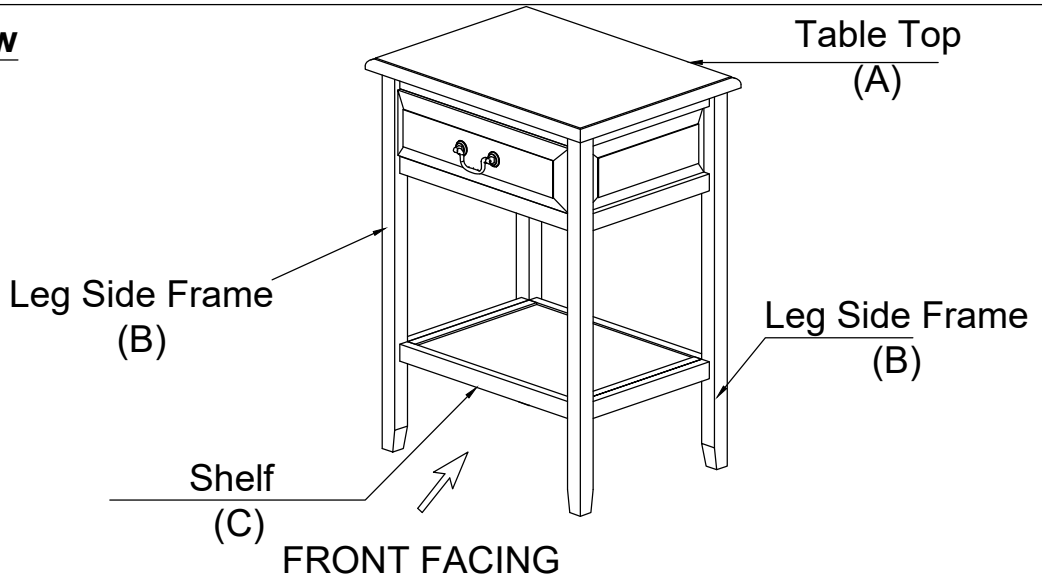
- Assemble on a clean non-marring surface (packing foarm).



- Save all packaging until finished.

## Assembly Steps

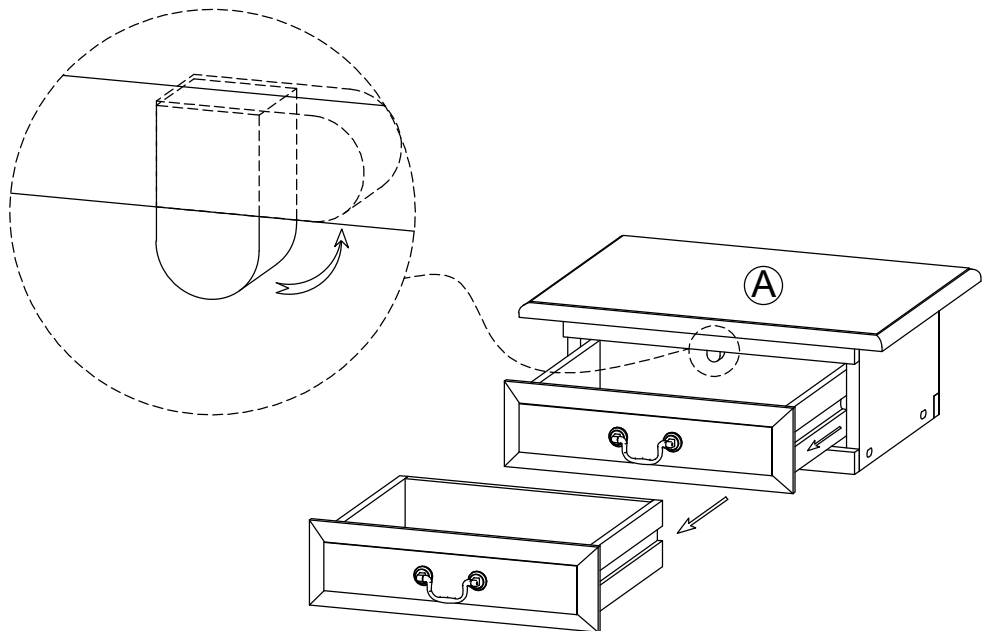
### Overview



This End Table has multiple parts and may require up to 30 minutes to assemble. To give you an overview of the End Table parts, the above picture is to help you put the various parts into perspective.

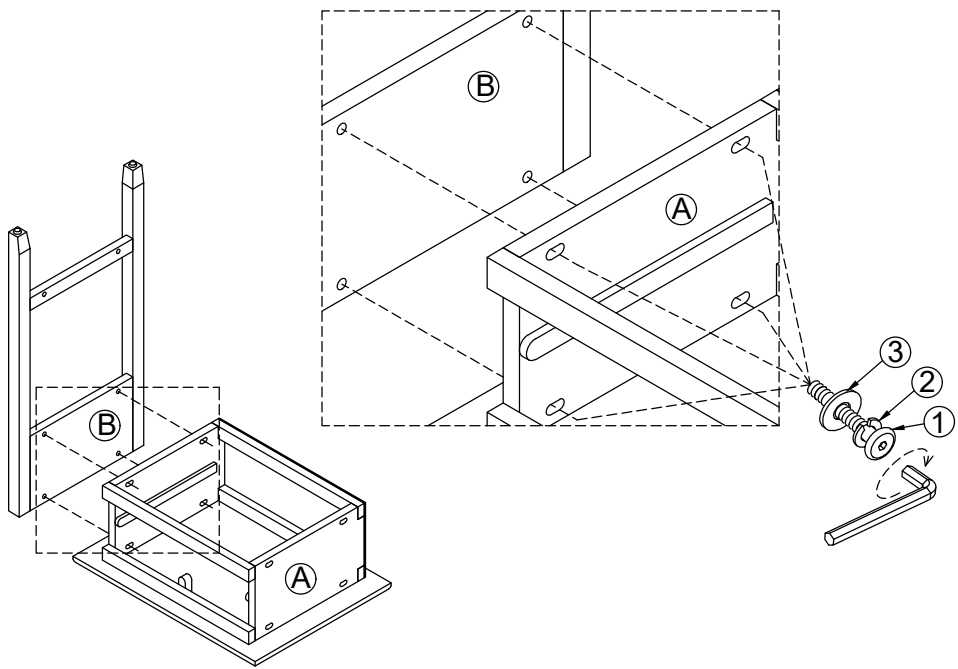
Please read through the instructions herebelow to familiarise the parts and steps before assembly.

### Step 1:



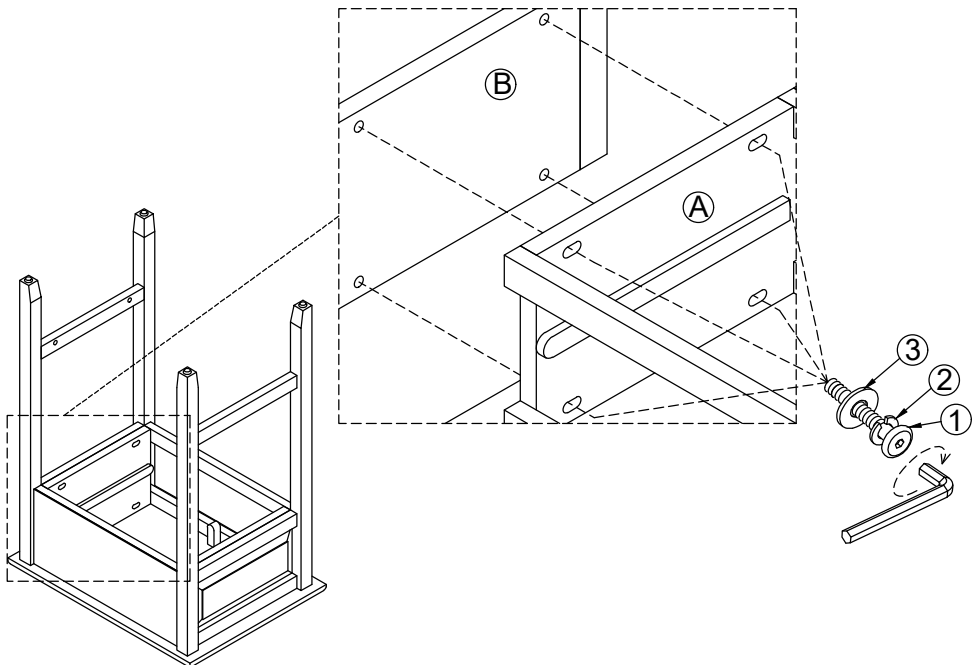
- Remove drawer at Table Top (A) as shown

## **Step 2:**



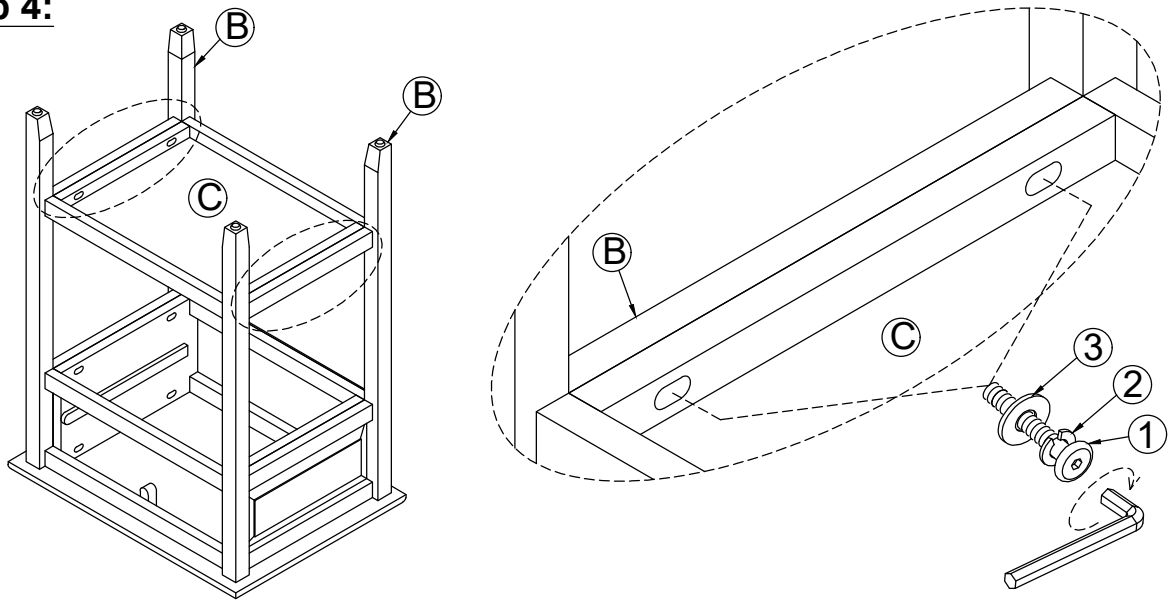
- Place the Table top (A) on clean, non-marring surface, facedown
- Attach Leg Side Frame (B) to the Table Top (A) using (1) Bolt \*4, (2) Spring washer \*4 and (3) Flat washer \*4 with Allen Wrench (4) as shown.

## **Step 3:**



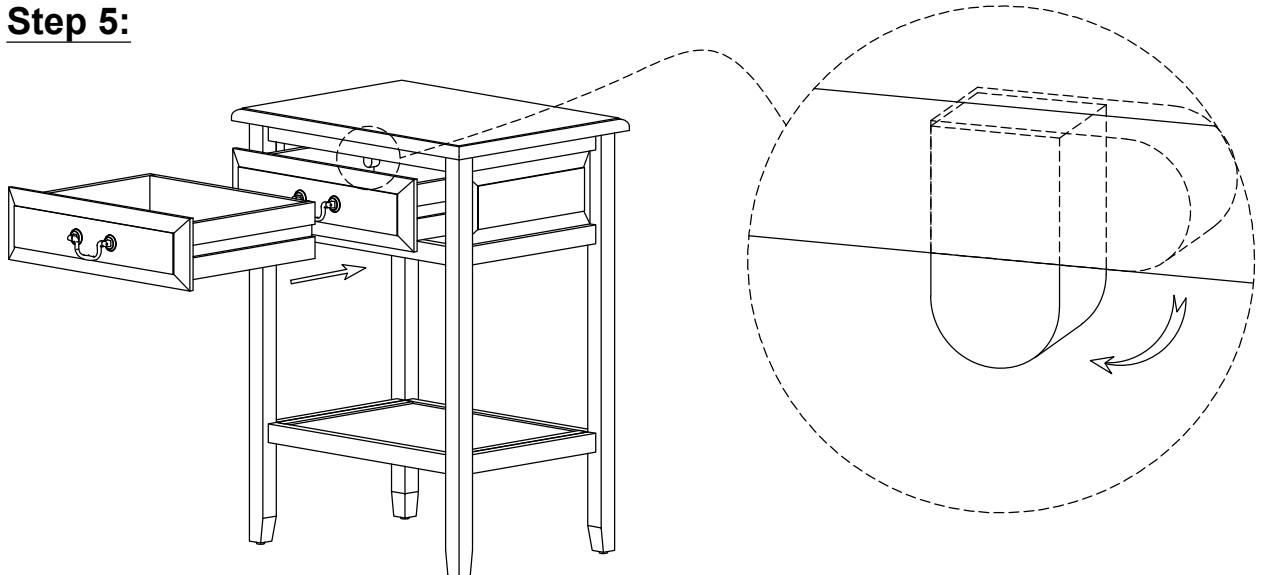
- Repeat step 3 with the other side.

### **Step 4:**



- Attach Shelf (C) to the Leg Side Frame (B) using (1) Bolt \*4, (2) Spring washer \*4 and (3) Flat washer \*4 with Allen Wrench (4) as shown.

### **Step 5:**



- Turn the End Table right side up.  
- Insert drawer to the Table Top (A) as shown. Your End Table is ready for use.  
Caution: This End Table can only be used on a flat, level surface.