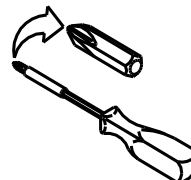
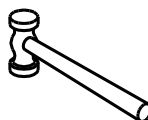


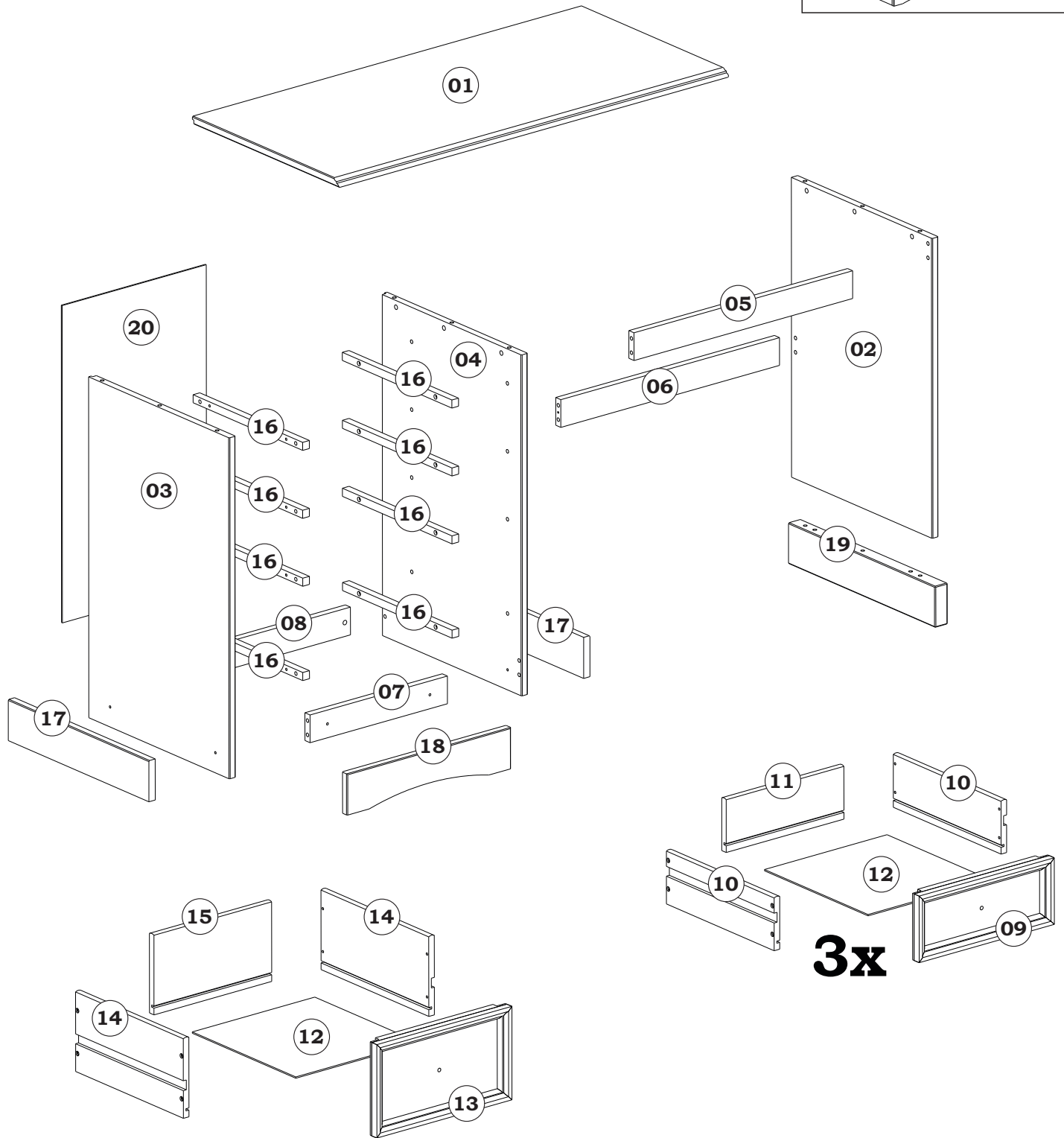
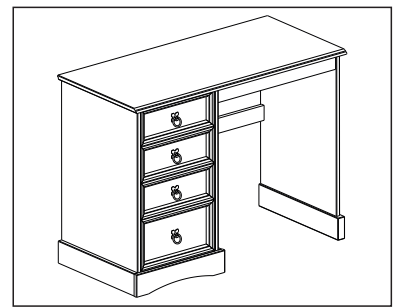
Width = 1050mm
Depth = 490mm
Height = 780mm






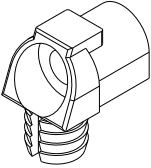

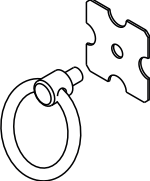
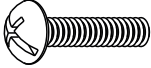
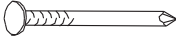
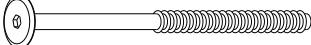
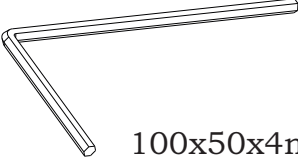
2m x 2m


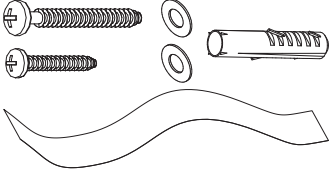


0:60h

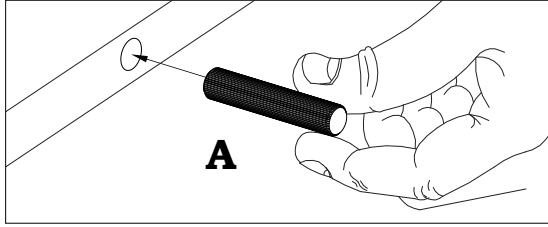


3x

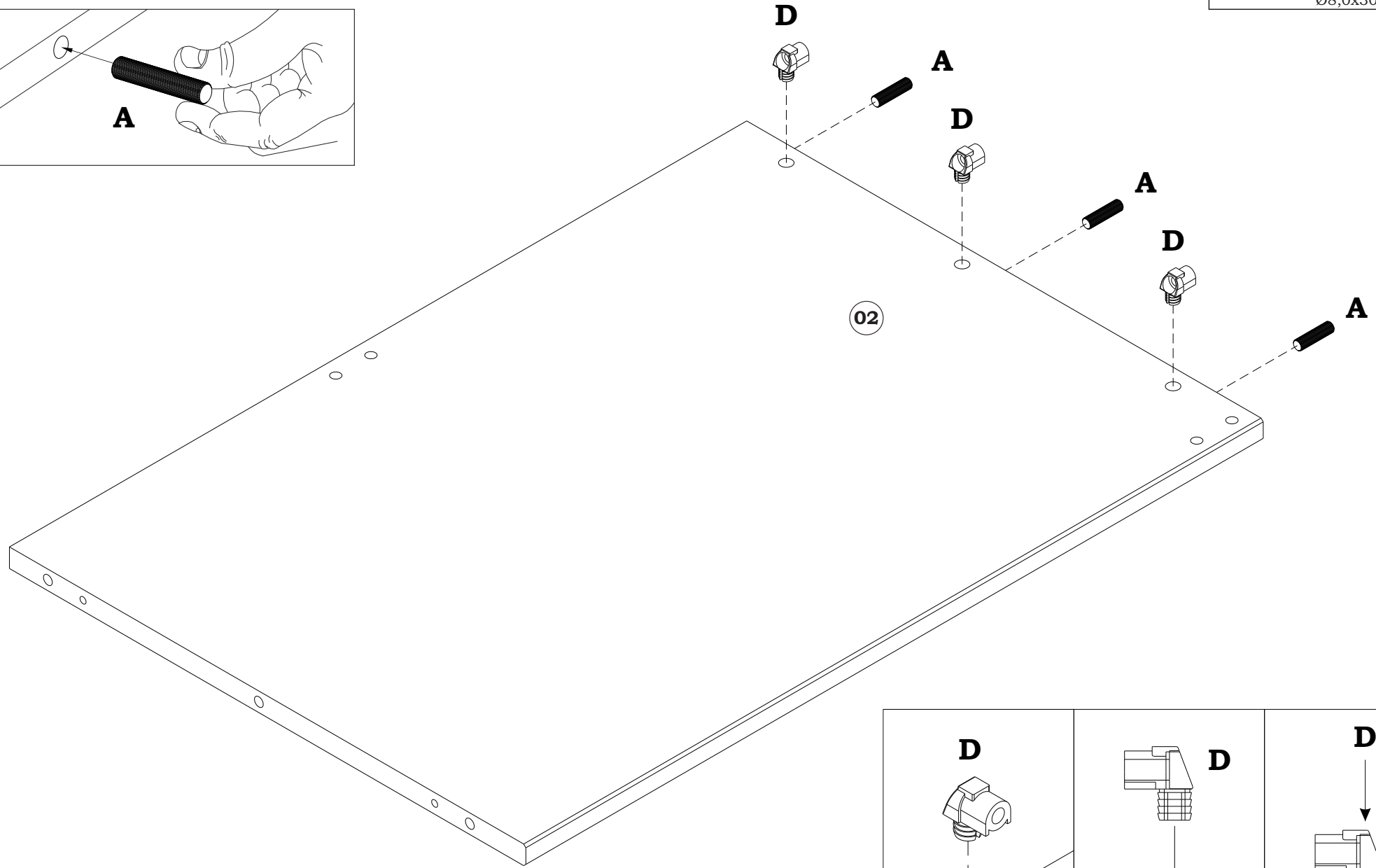
A	 Ø8,0x30mm	25
B	 Ø8,0x20mm	16
C	 Ø3,5x30mm	40
D		17
E	 Ø4,0x25mm	33
F		04
G	 3/16"x5/8"	04
H	 8x8	16
I	 7,0x100mm Cab 17	02
J	 100x50x4mm	01

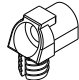
K	 Ø8,0x40mm	03
Y		01

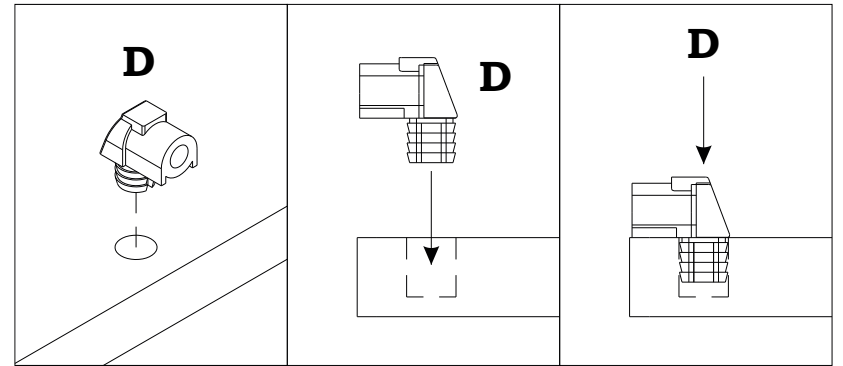
01




A  **03x**
Ø8,0x30mm

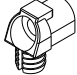


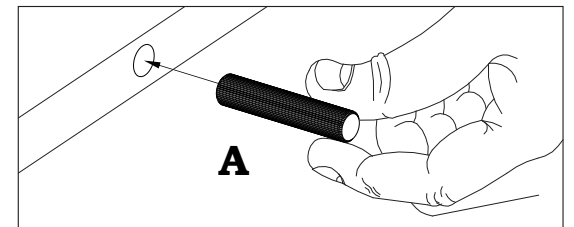
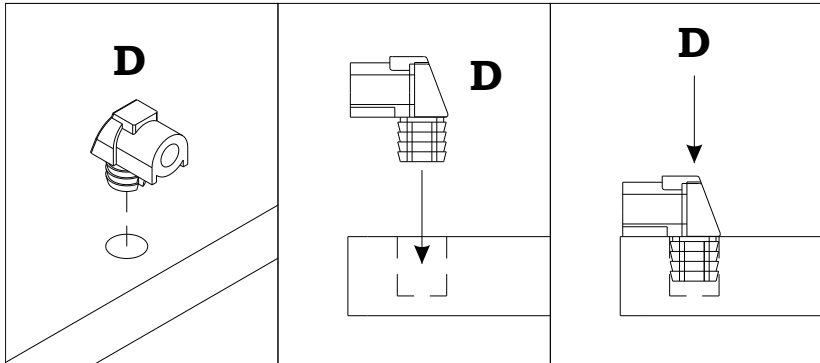
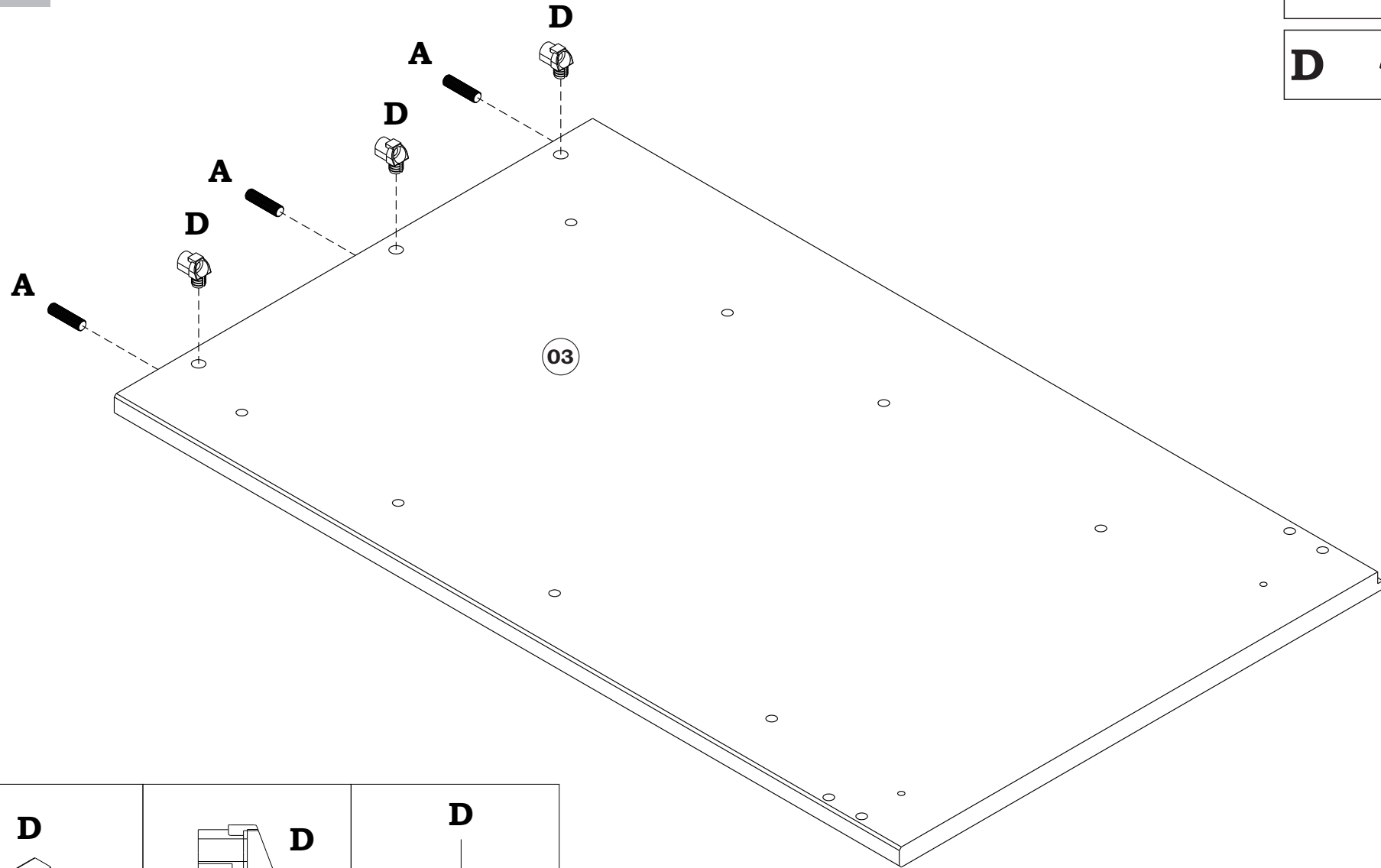
D  **03x**




02

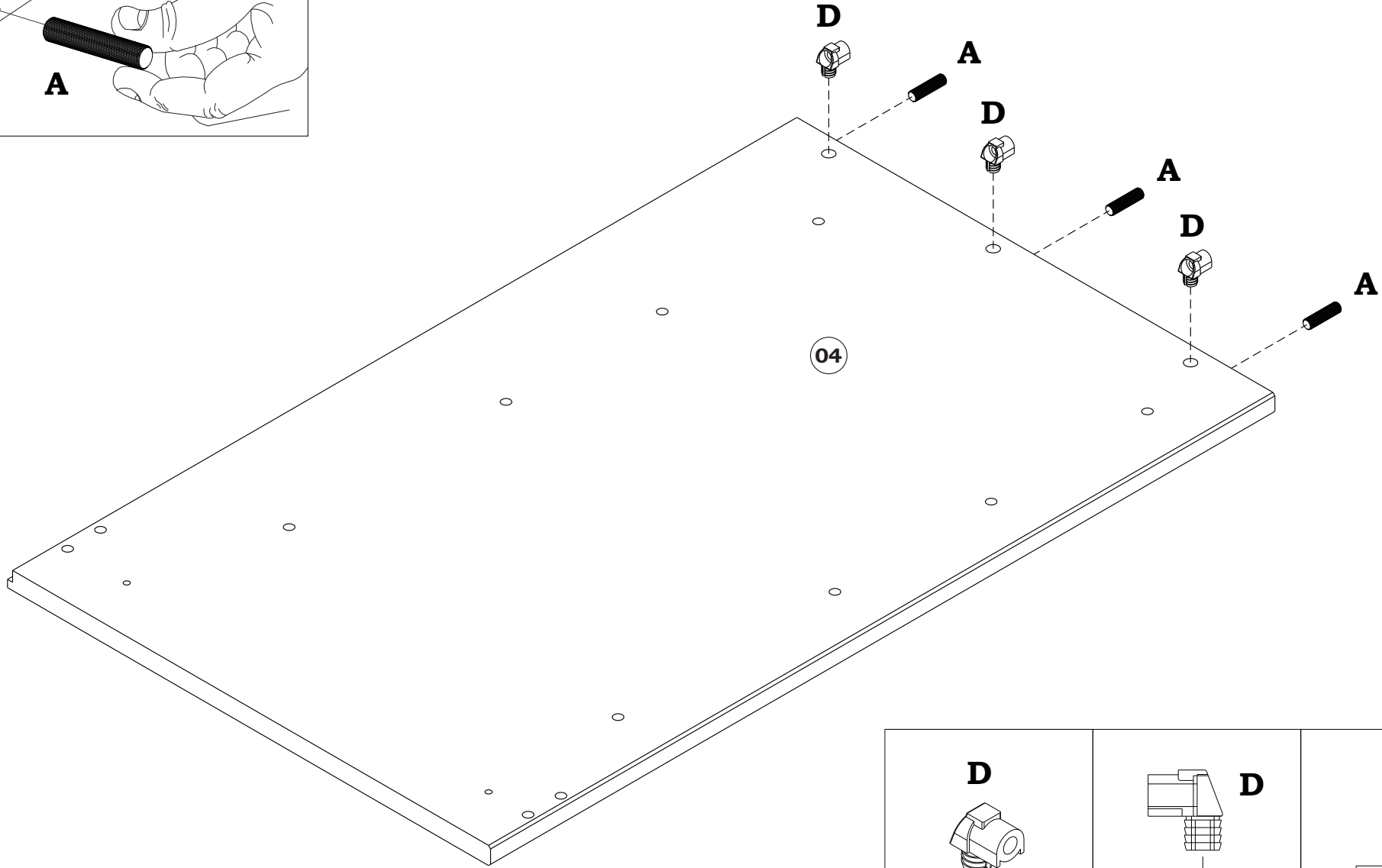
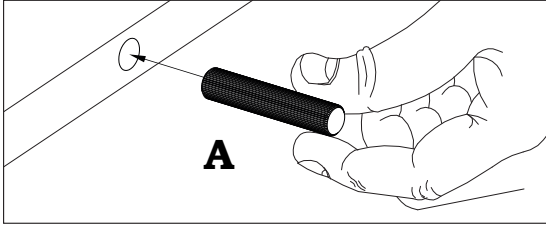
A  **03x**
Ø8,0x30mm

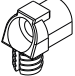
D  **03x**

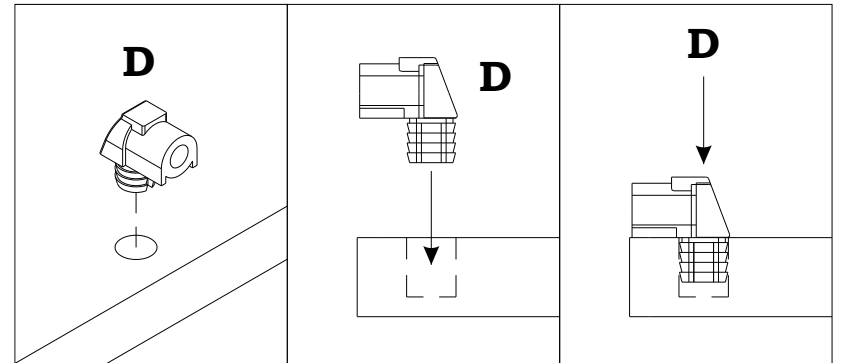


03

A  **03x**
Ø8,0x30mm

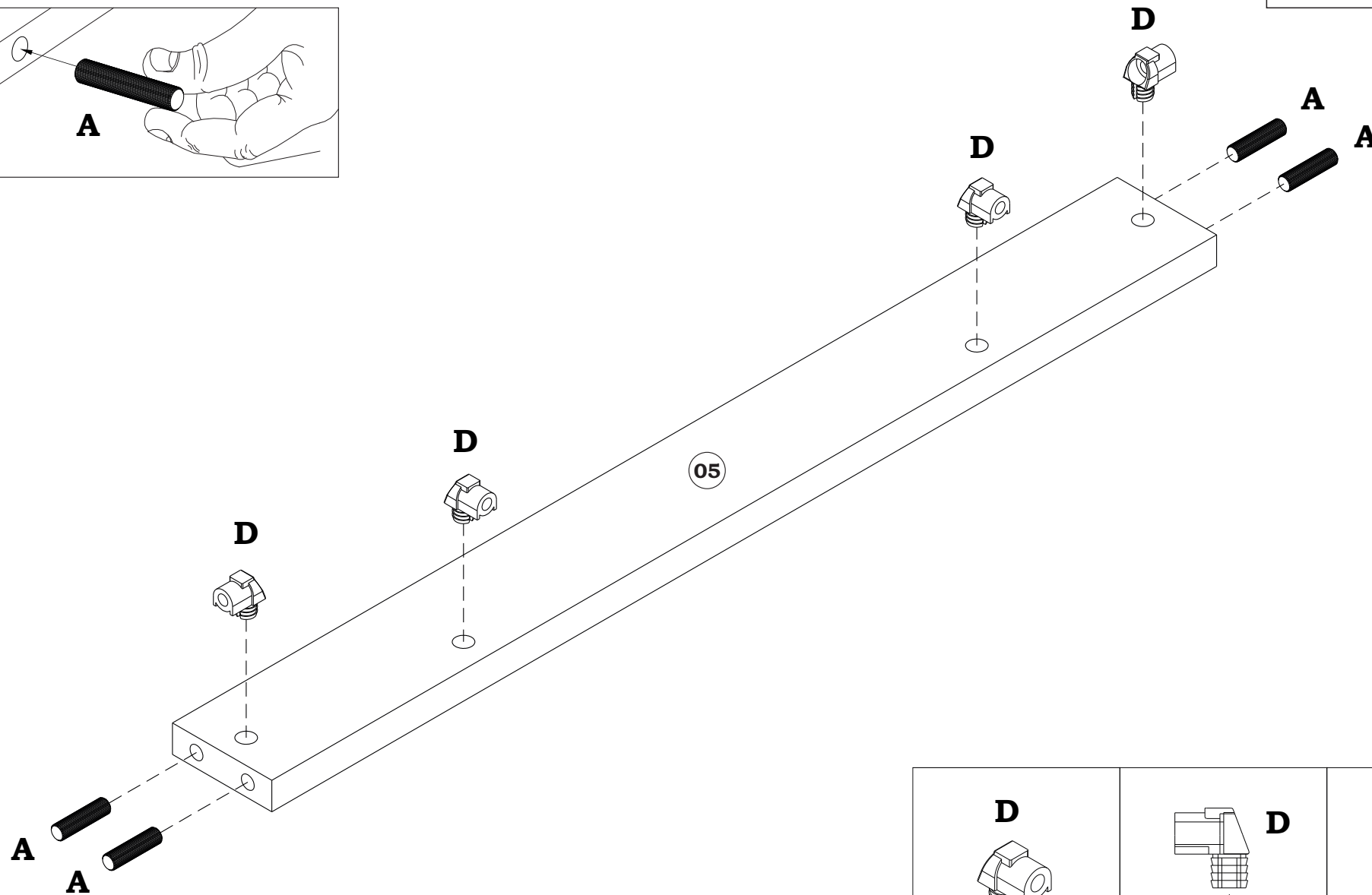
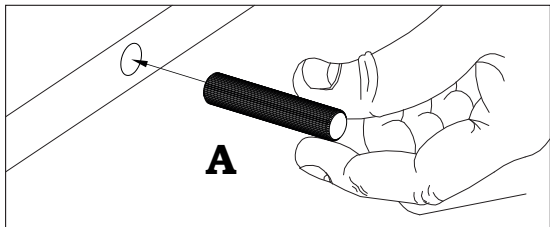


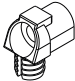
D  **03x**

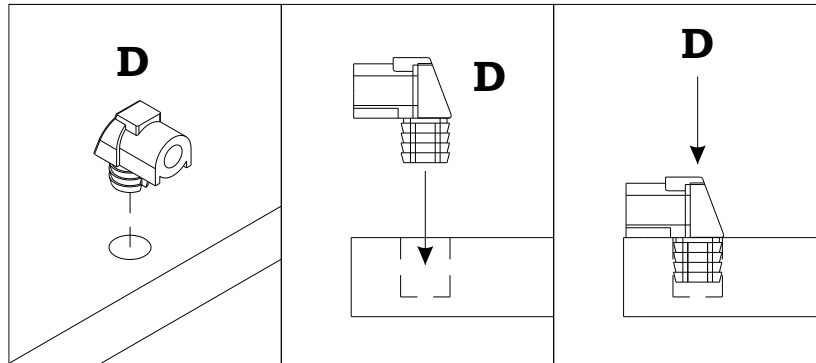


04


A  **04x**
Ø8,0x30mm

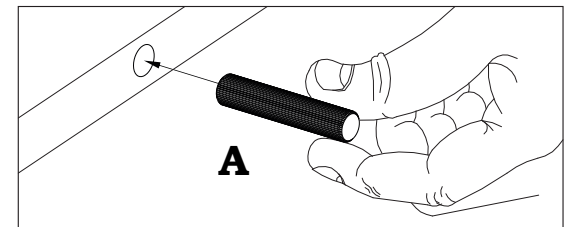
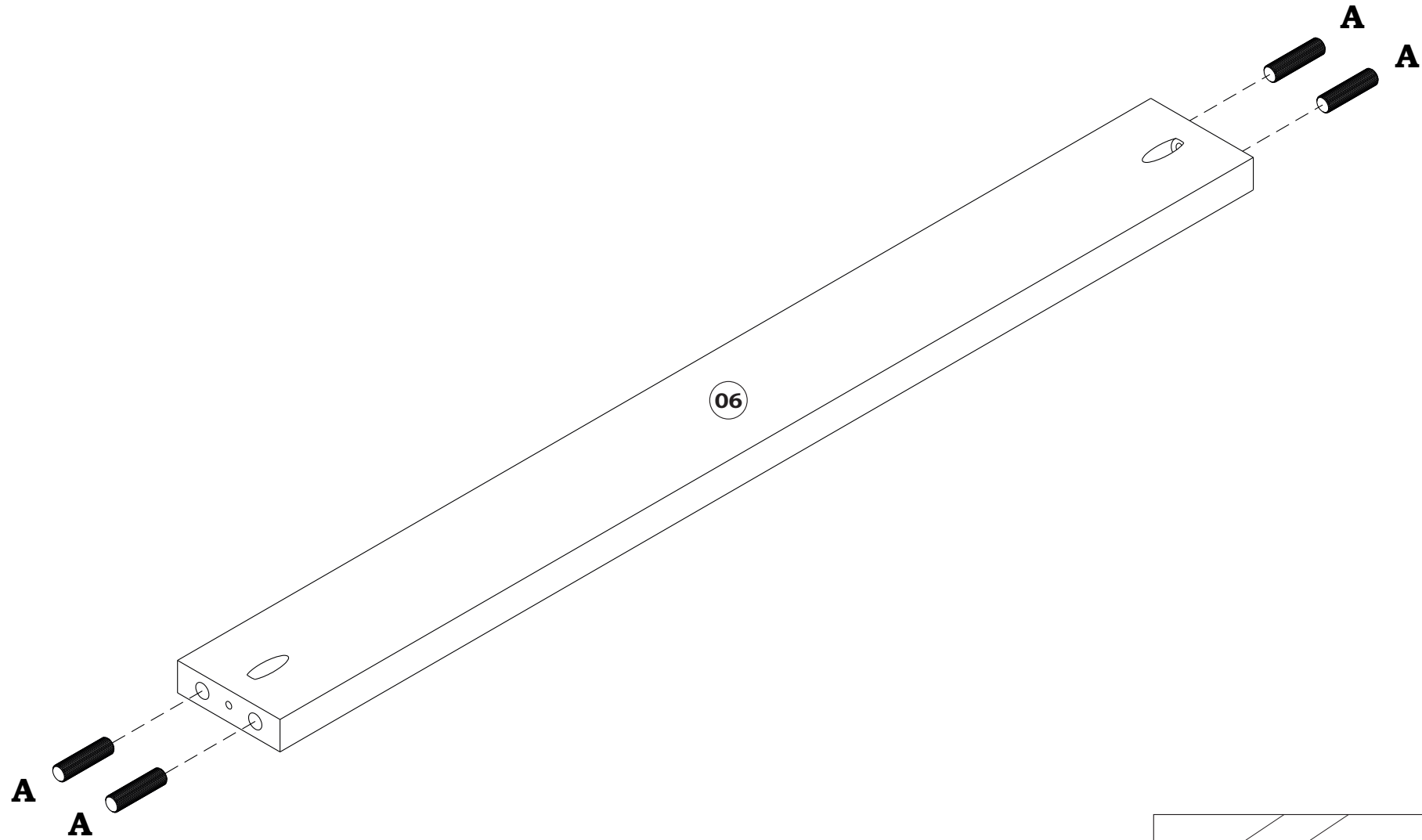


D  **04x**




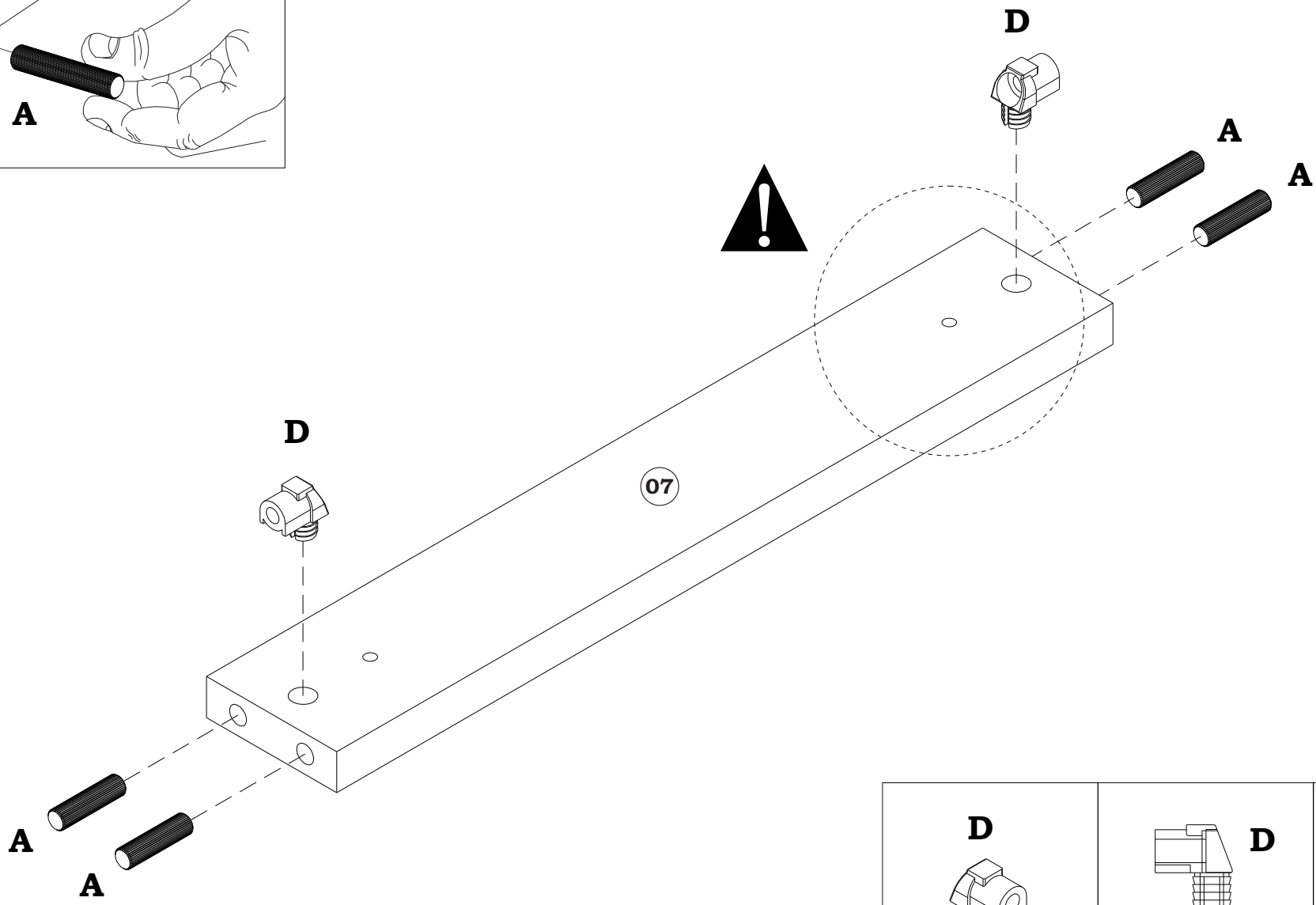
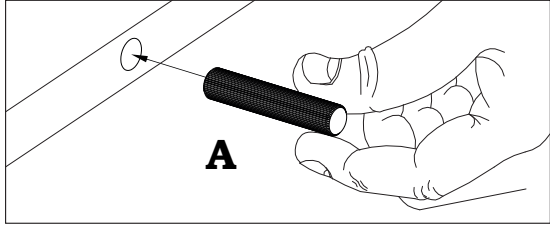
05

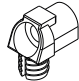
A  **04x**
Ø8,0x30mm

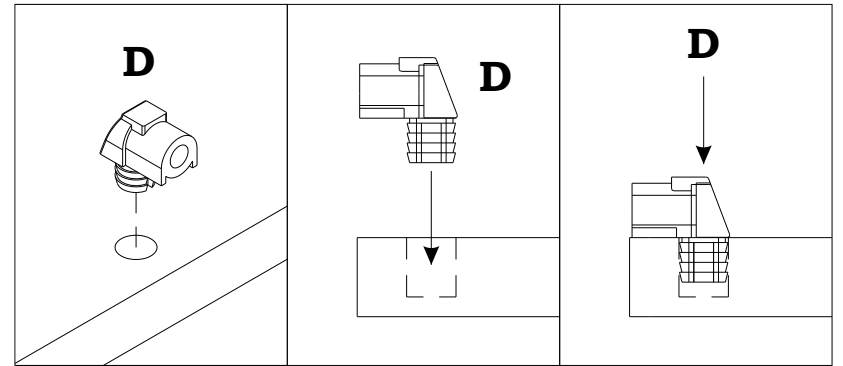


06

A  **04x**
Ø8,0x30mm

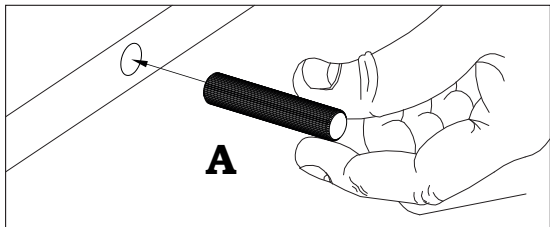


D  **02x**



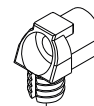
07

A  **04x**
Ø8,0x30mm



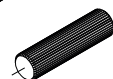
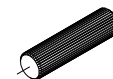
A

D



A

A



D



08

A

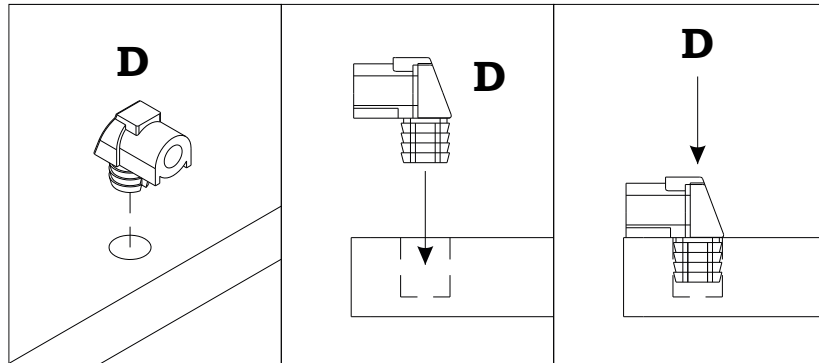
A




D

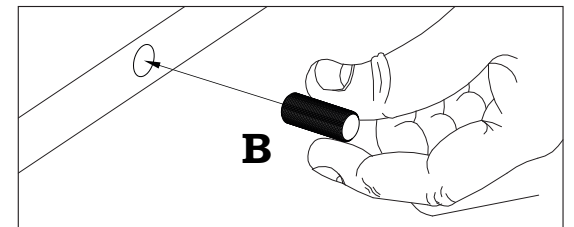
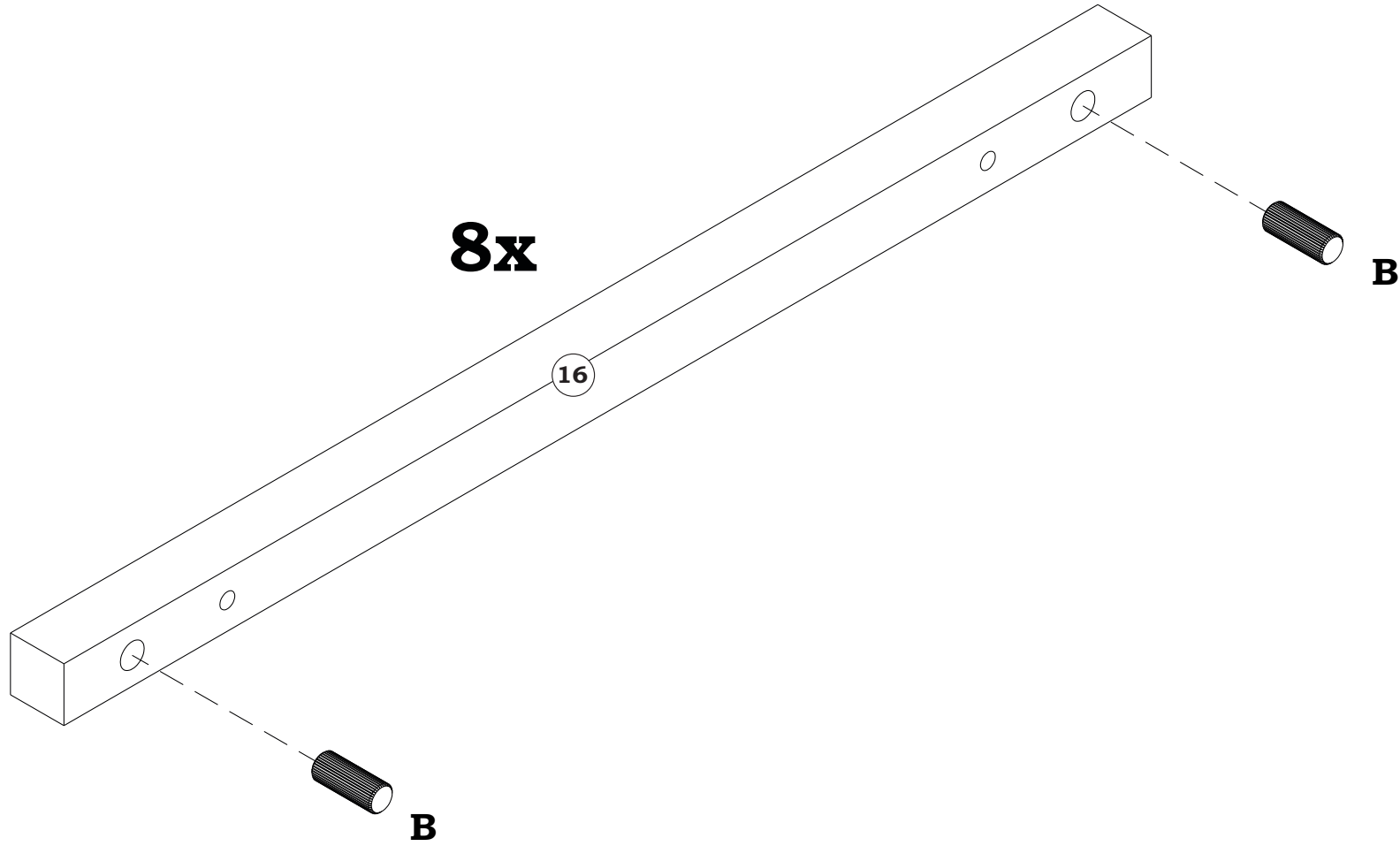


02x




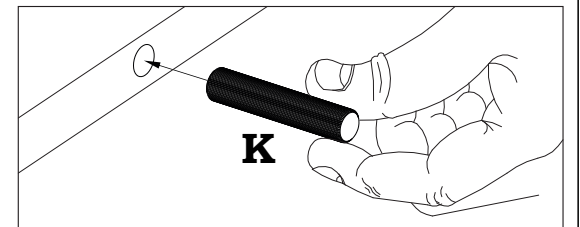
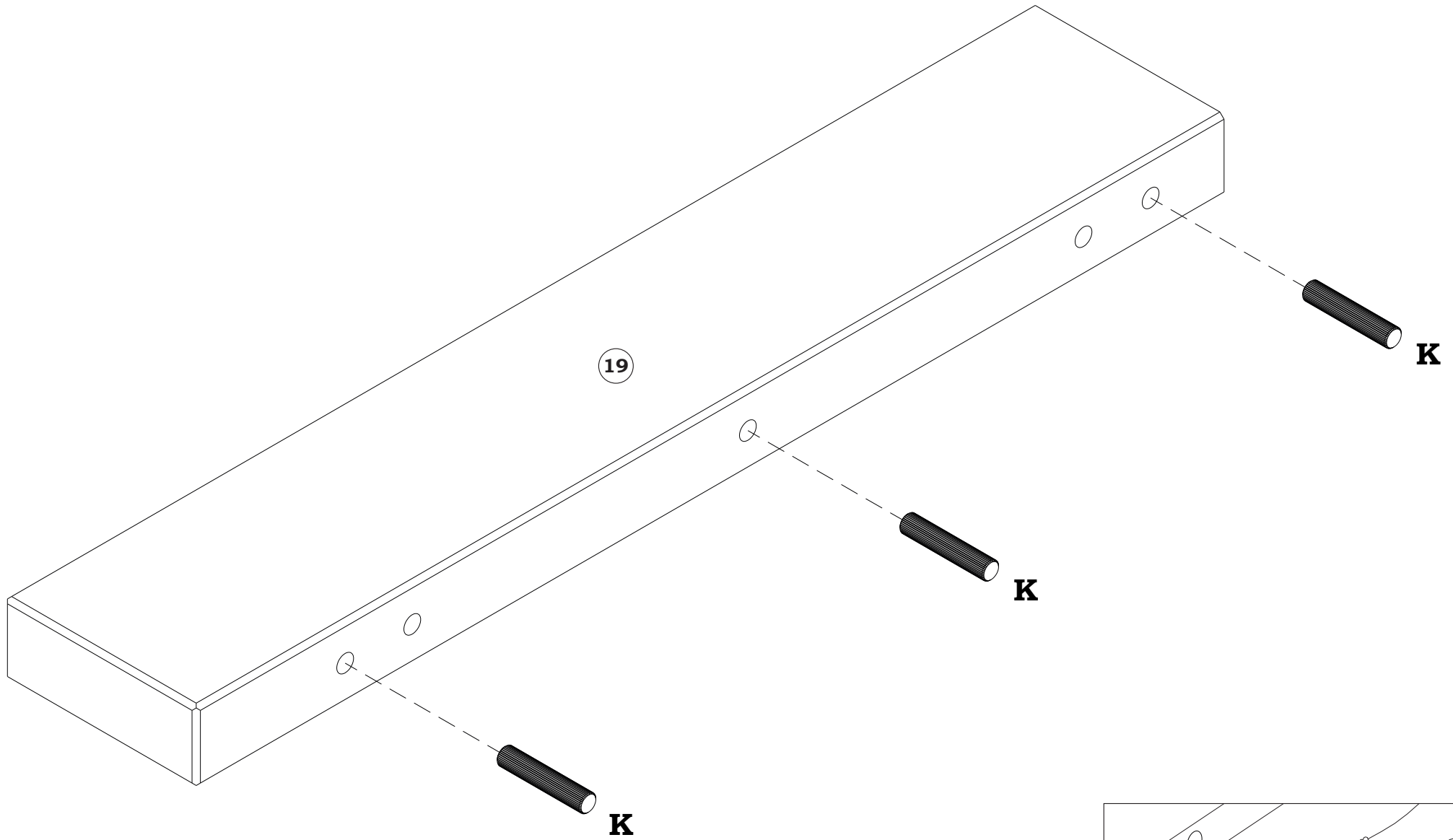
08

B  **16x**
Ø8,0x20mm

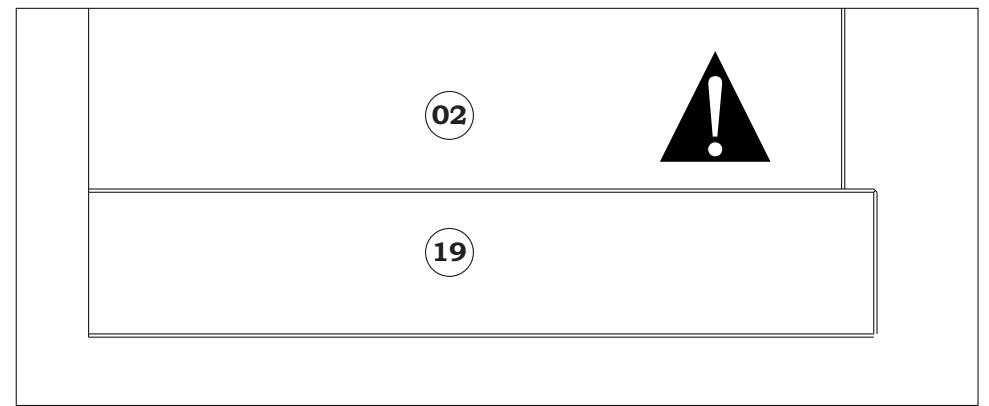
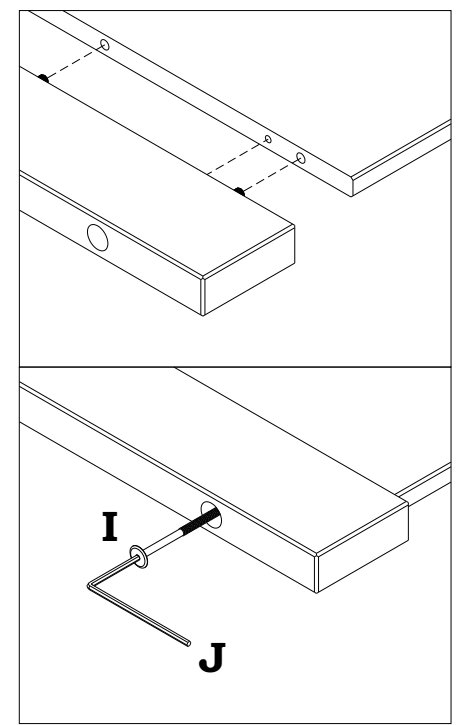
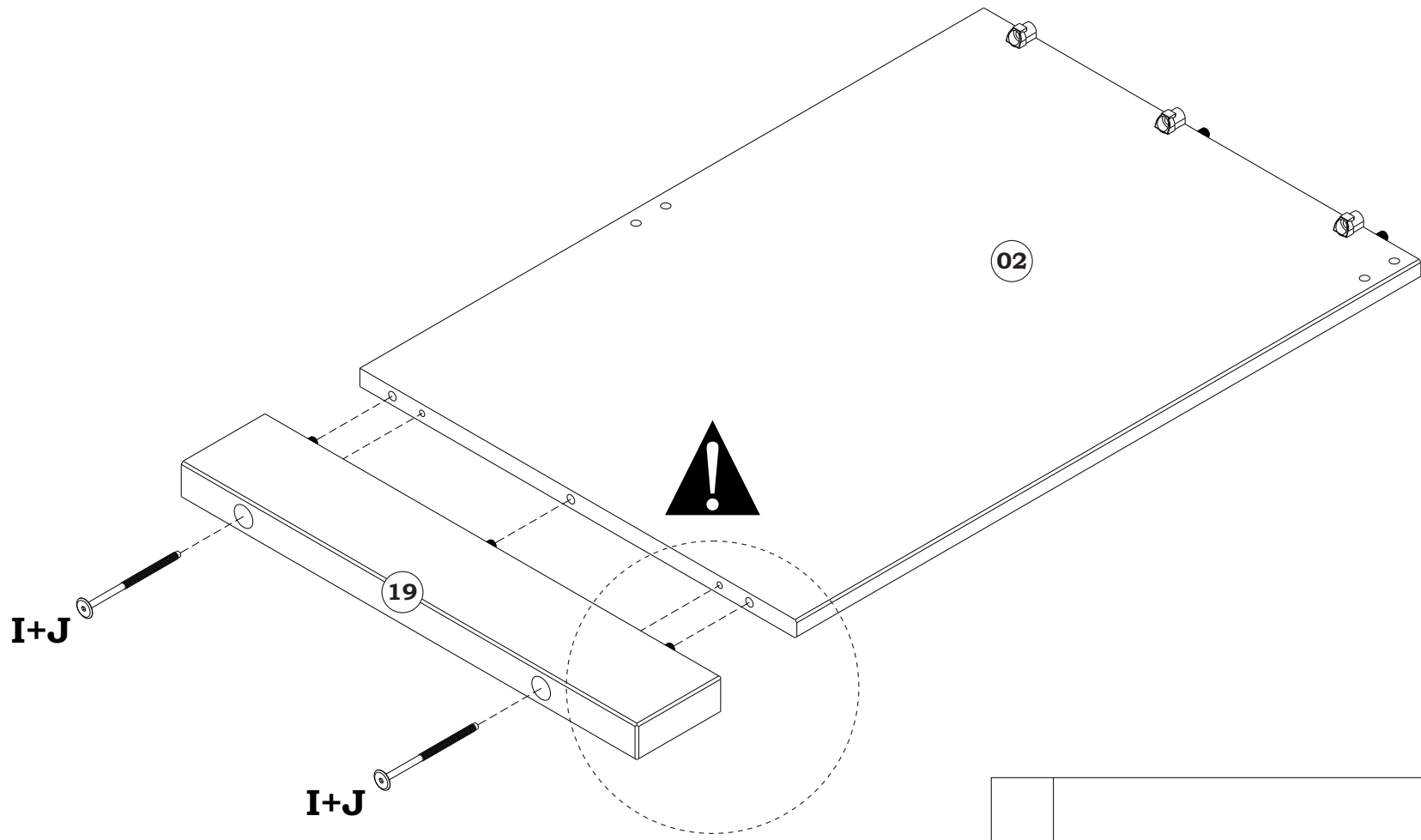


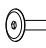

09

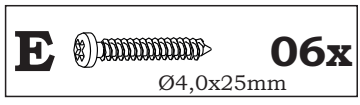
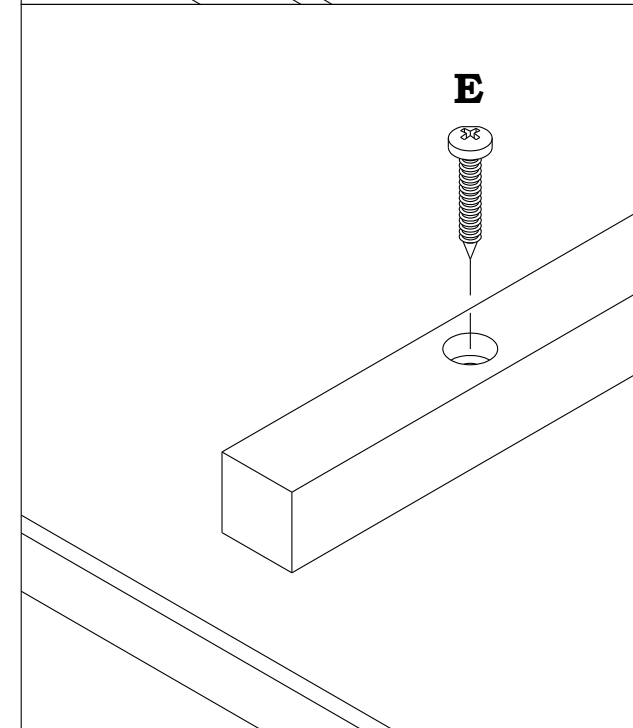
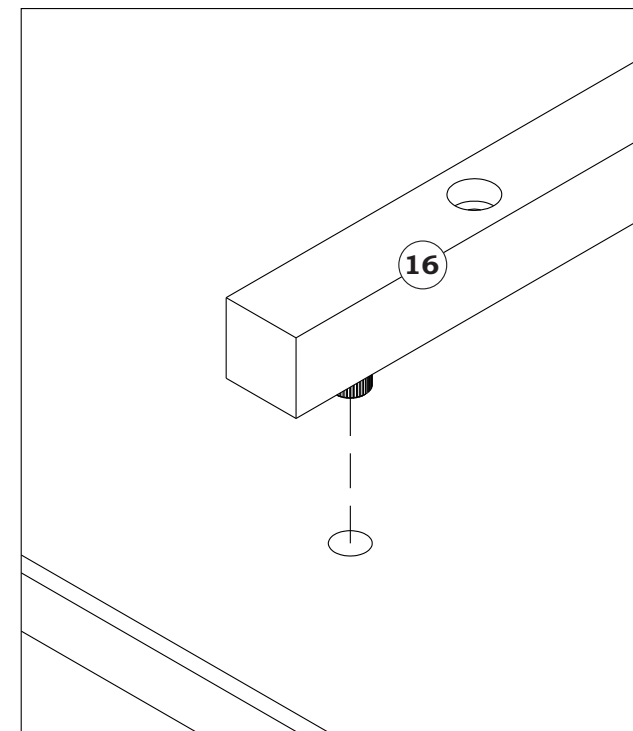
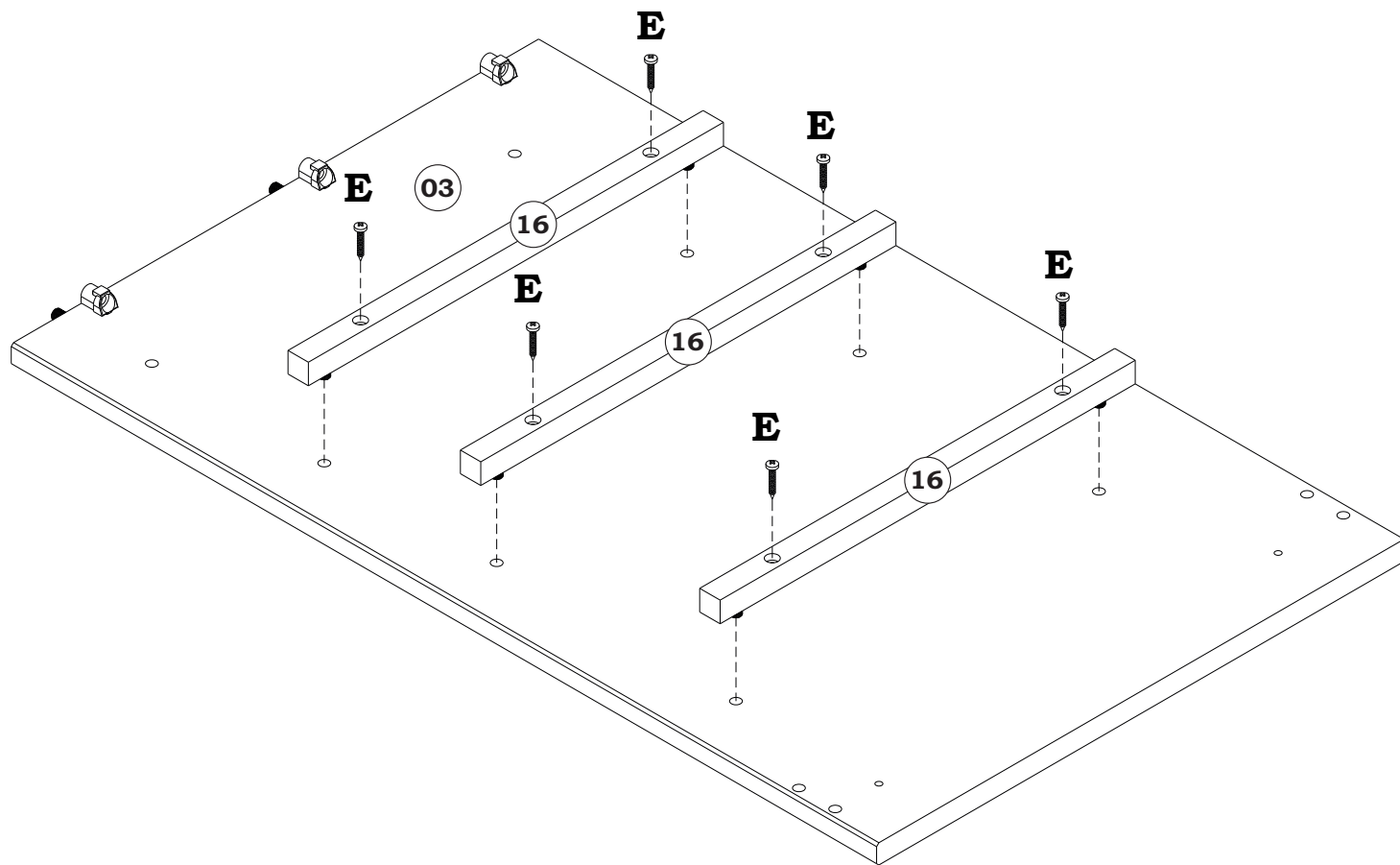
K  **03x**
Ø8,0x40mm



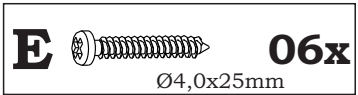
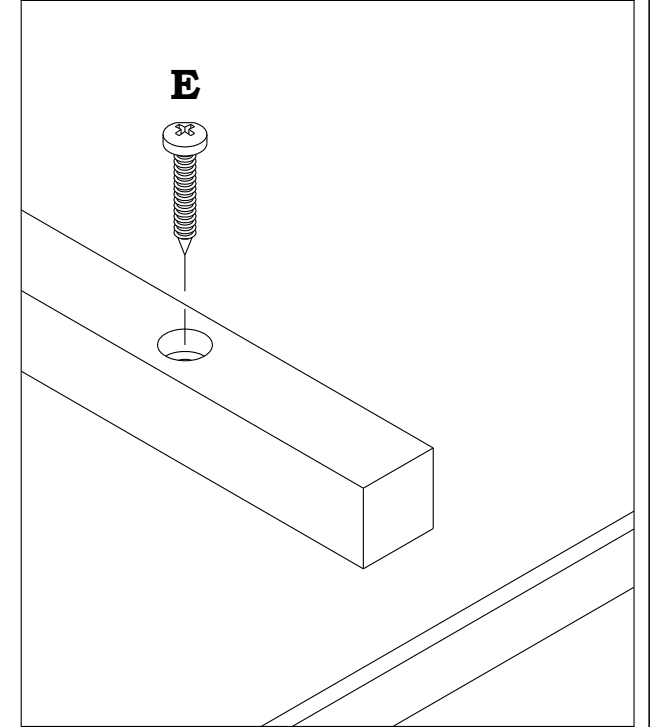
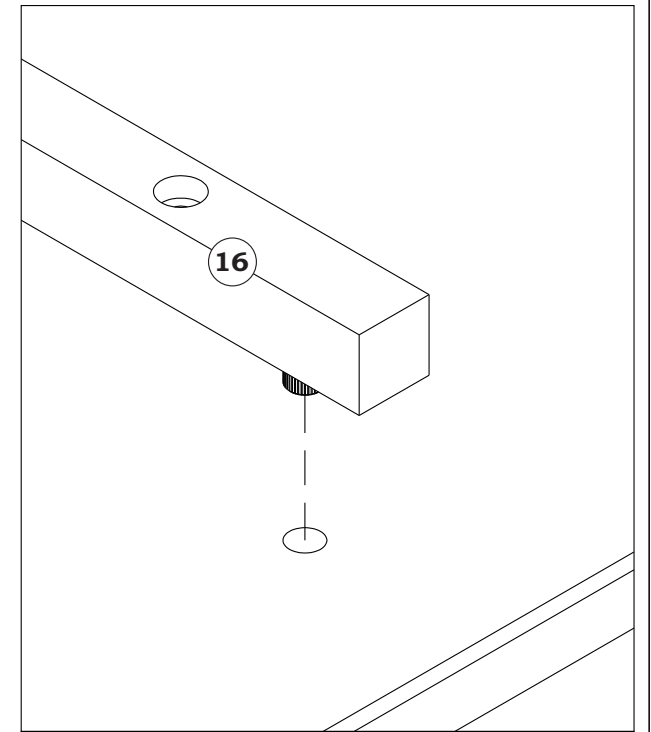
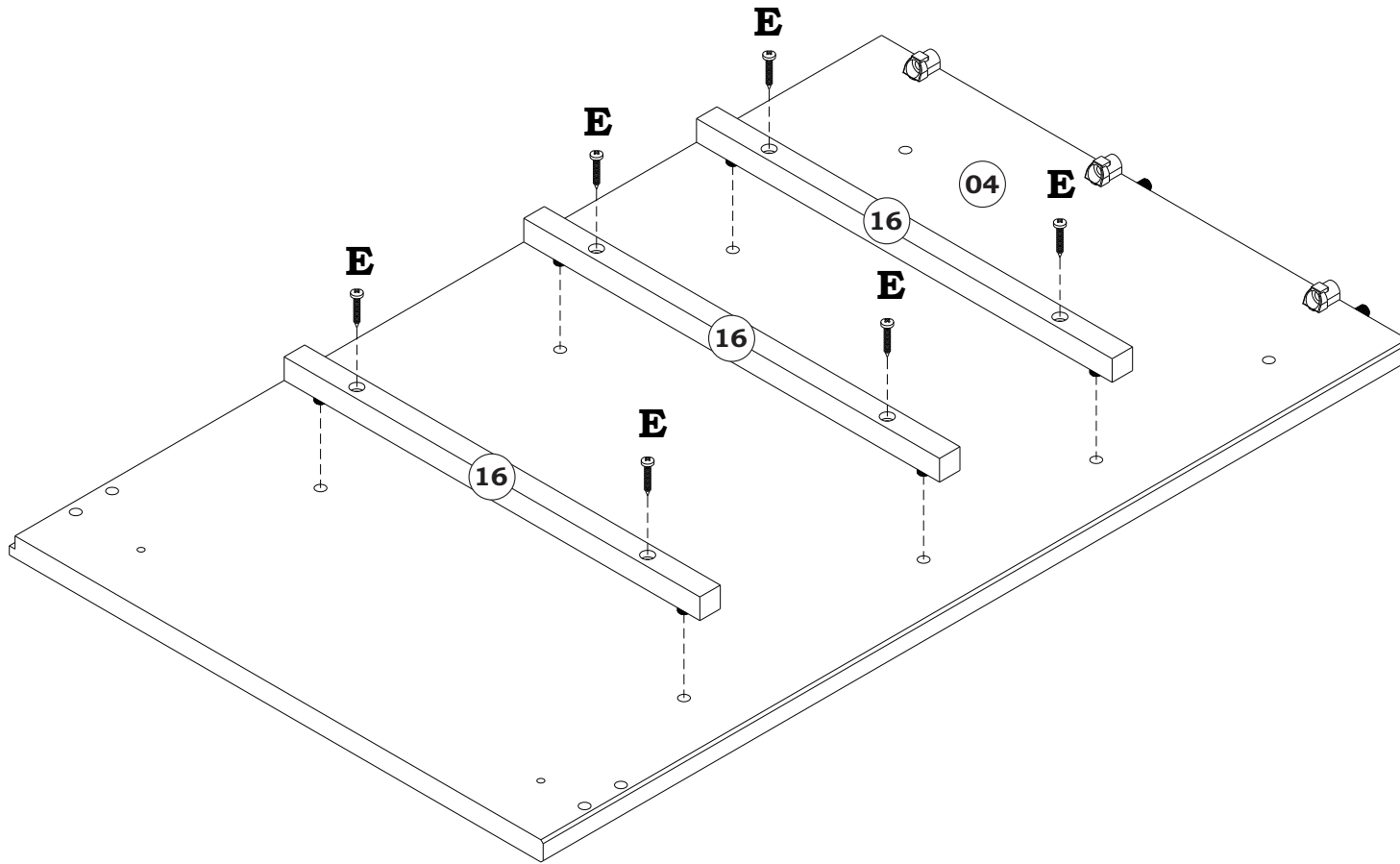
10



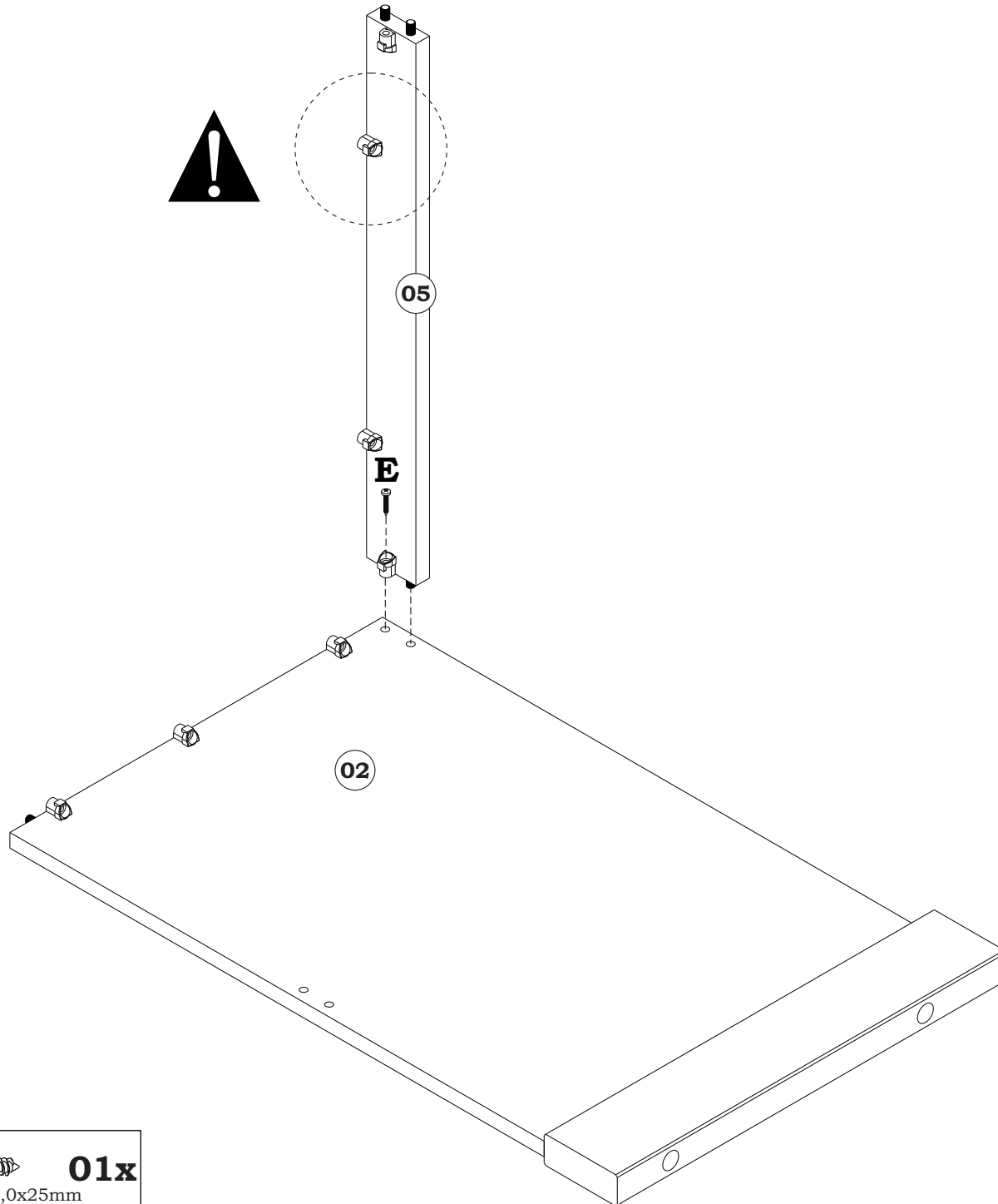
- I**  **02x**
7,0x100mm Cab 17
- J**  **01x**
100x50x4mm




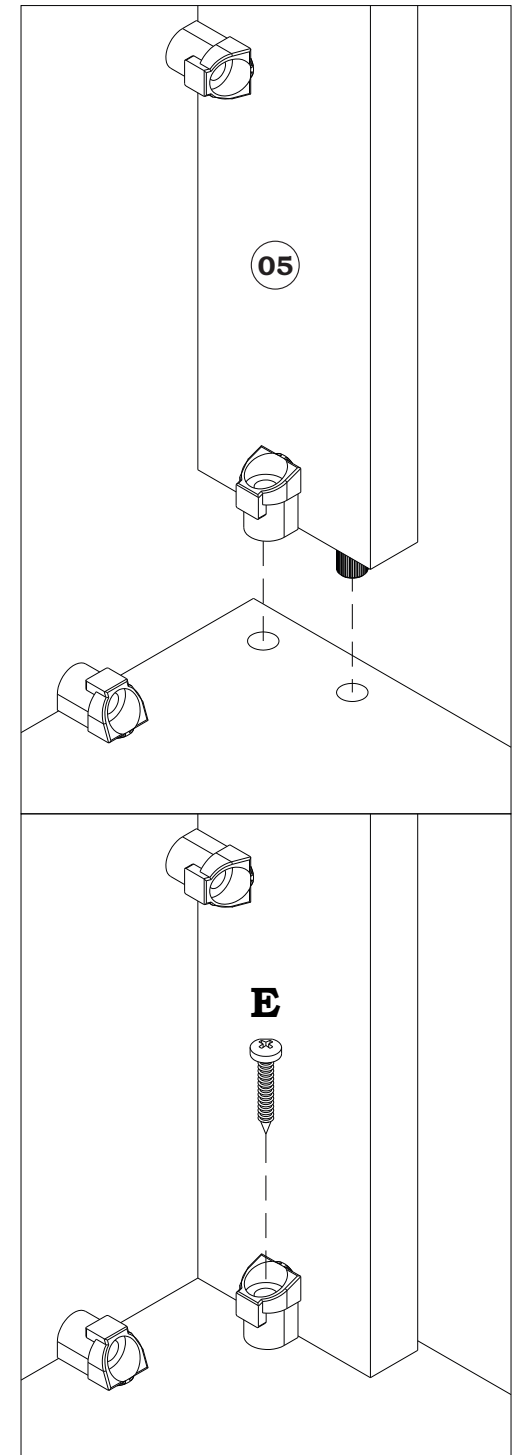
12



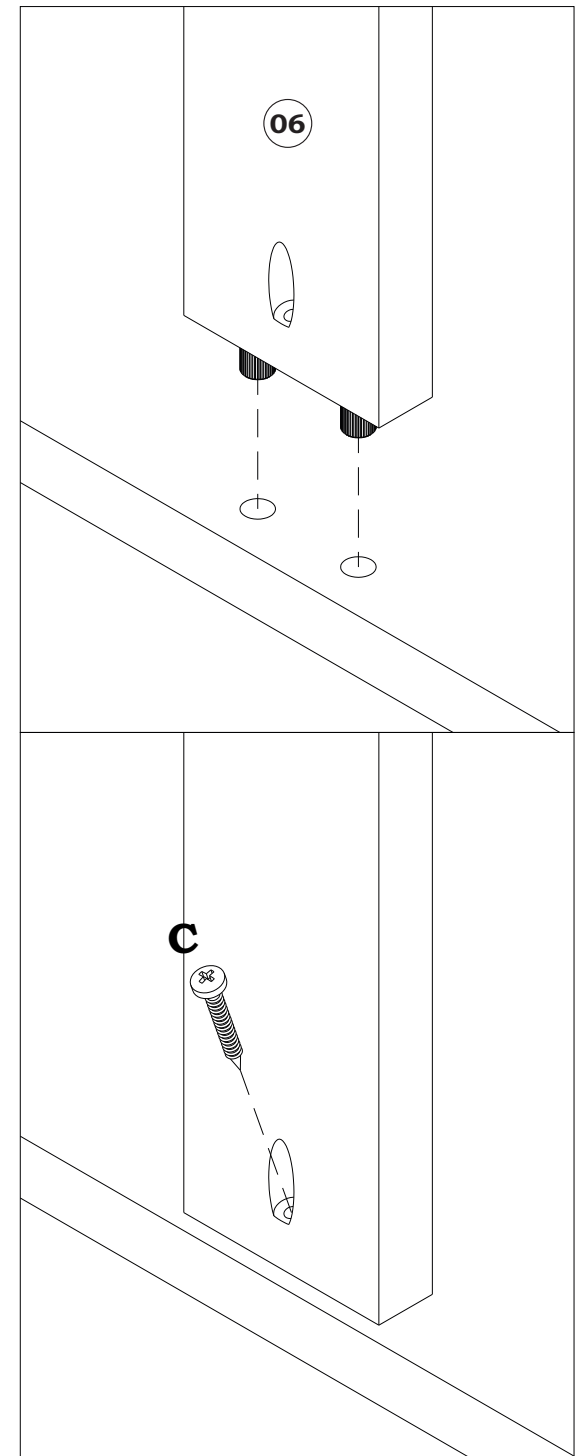
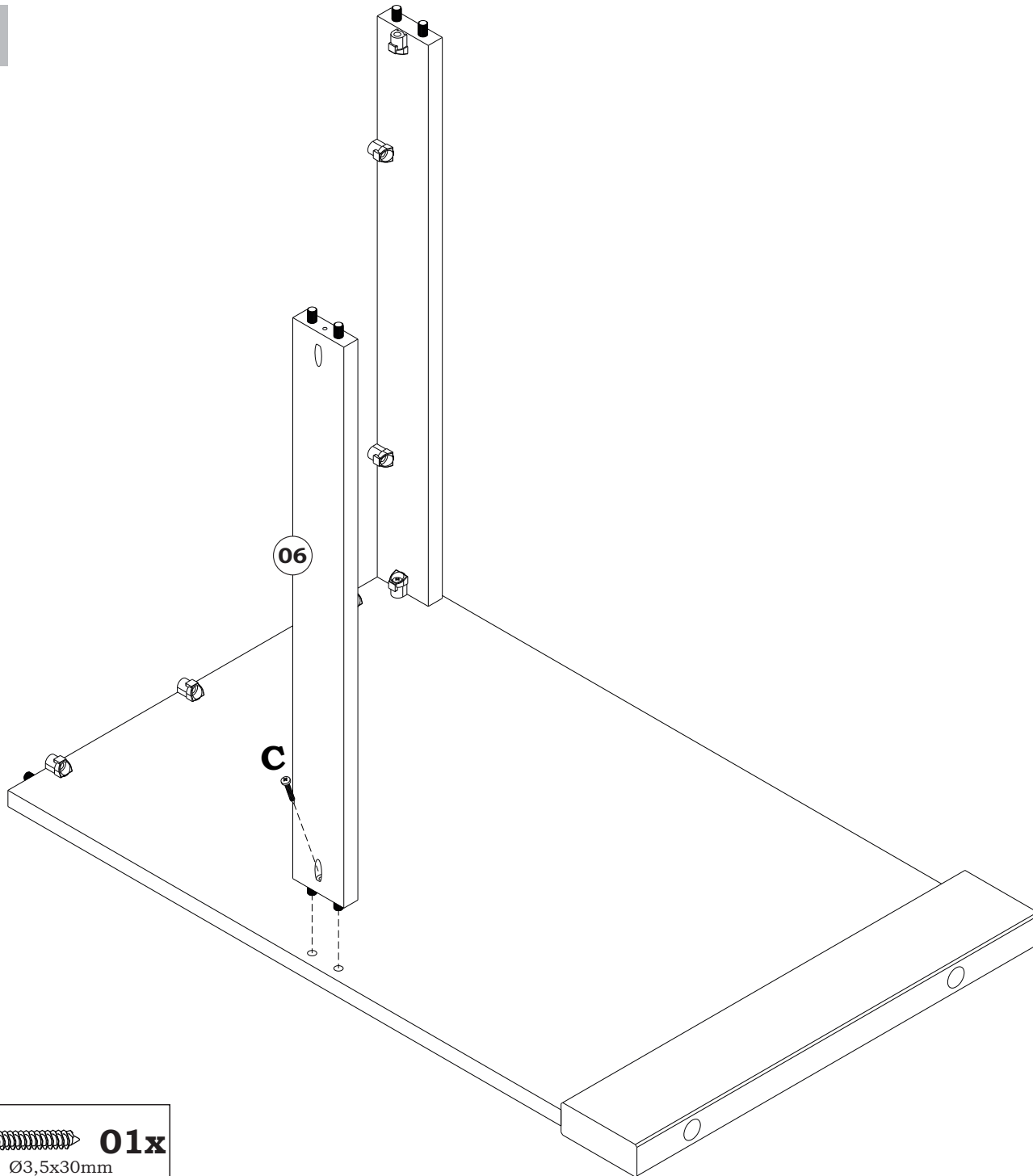
13

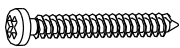


E  **01x**
Ø4,0x25mm

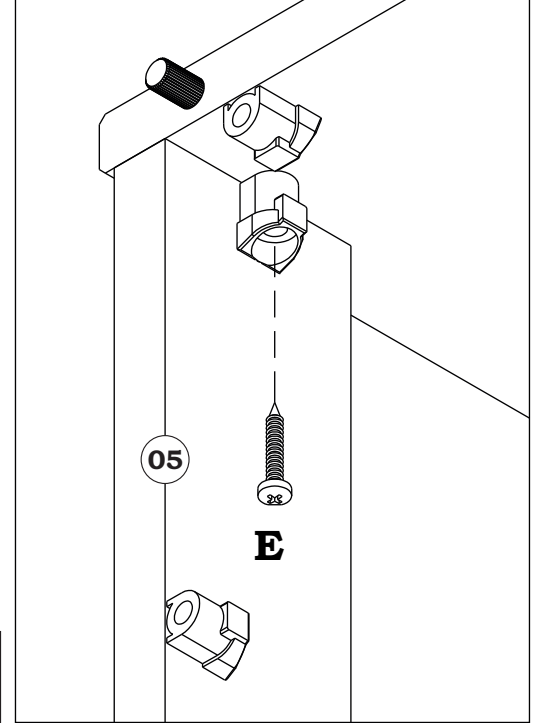
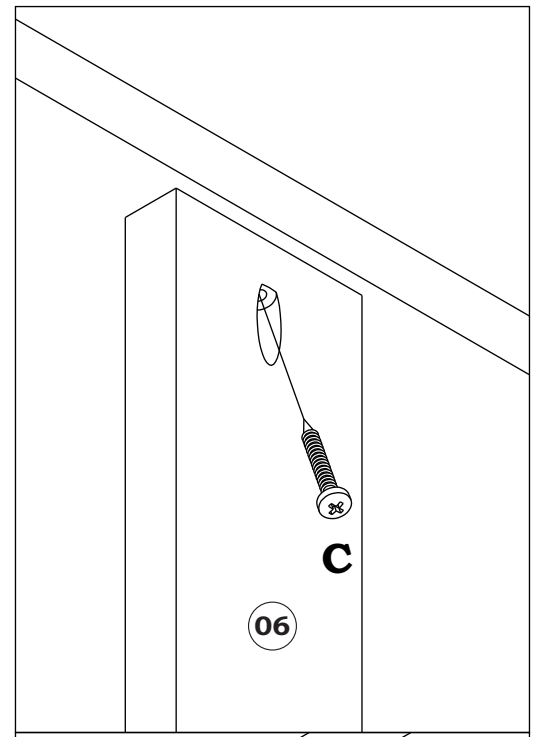
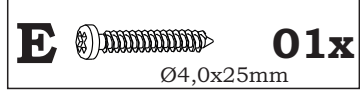
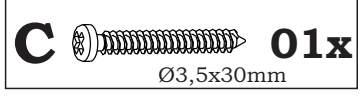
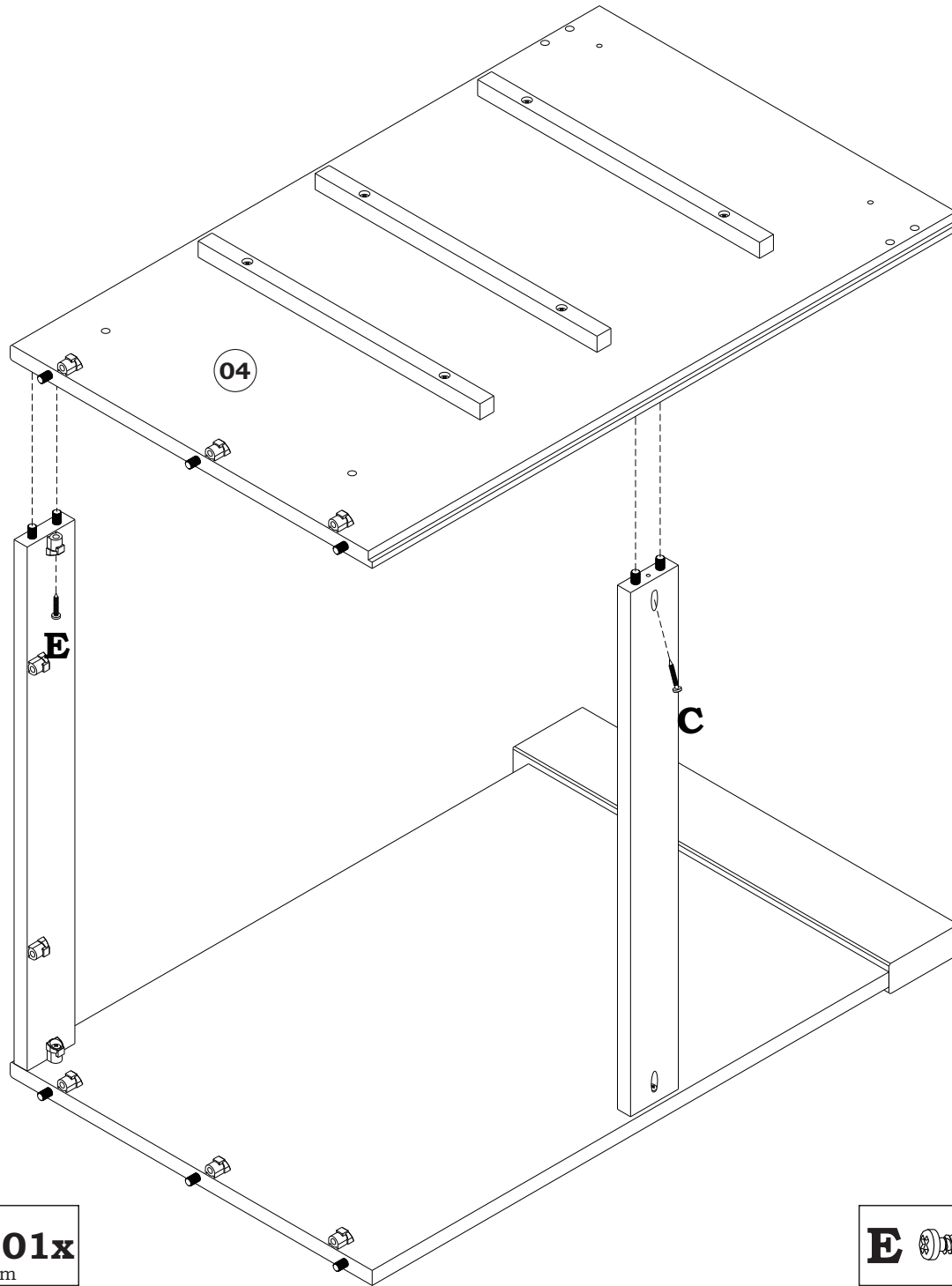


14

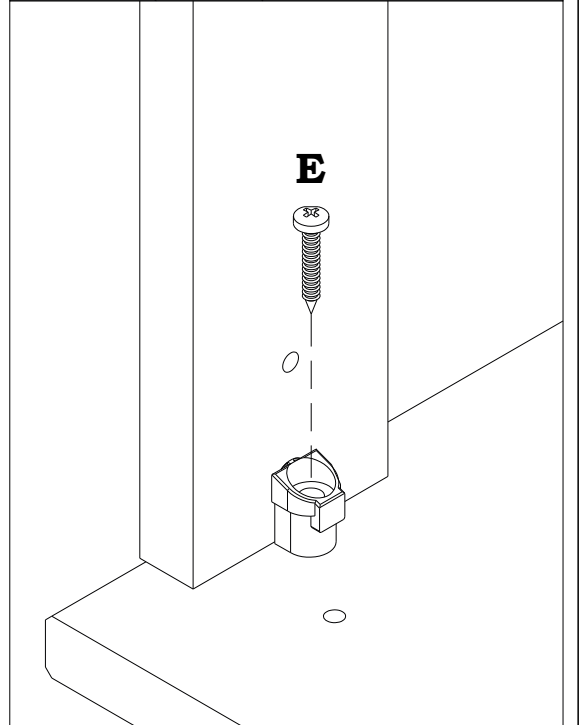
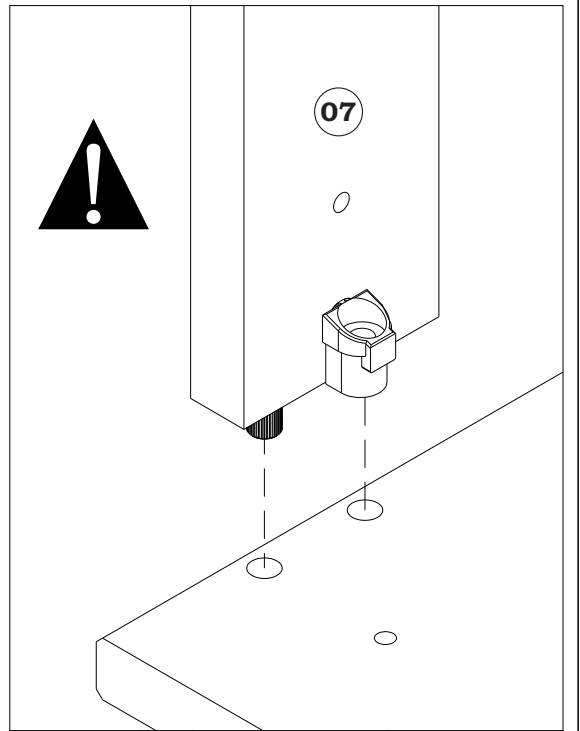
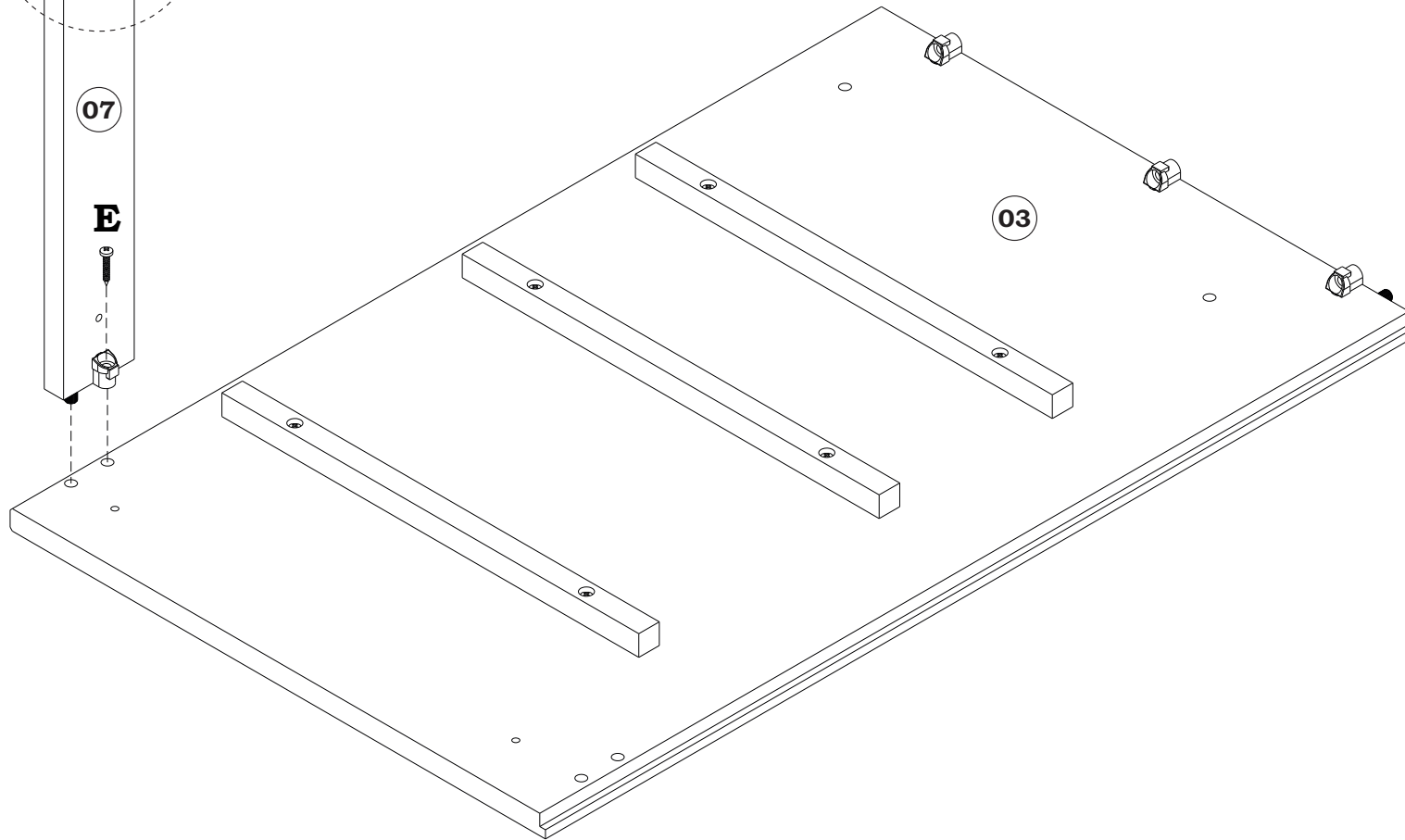
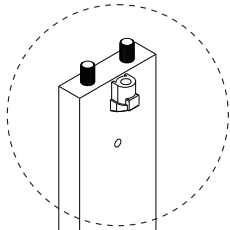



C  **01x**
Ø3,5x30mm

15

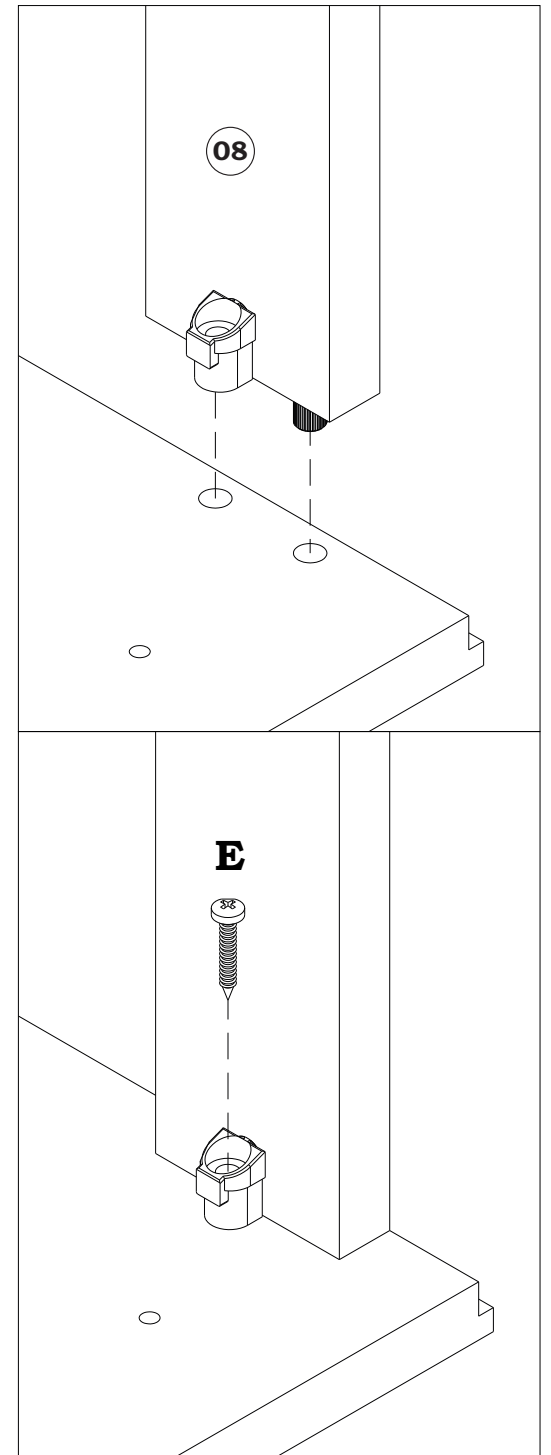
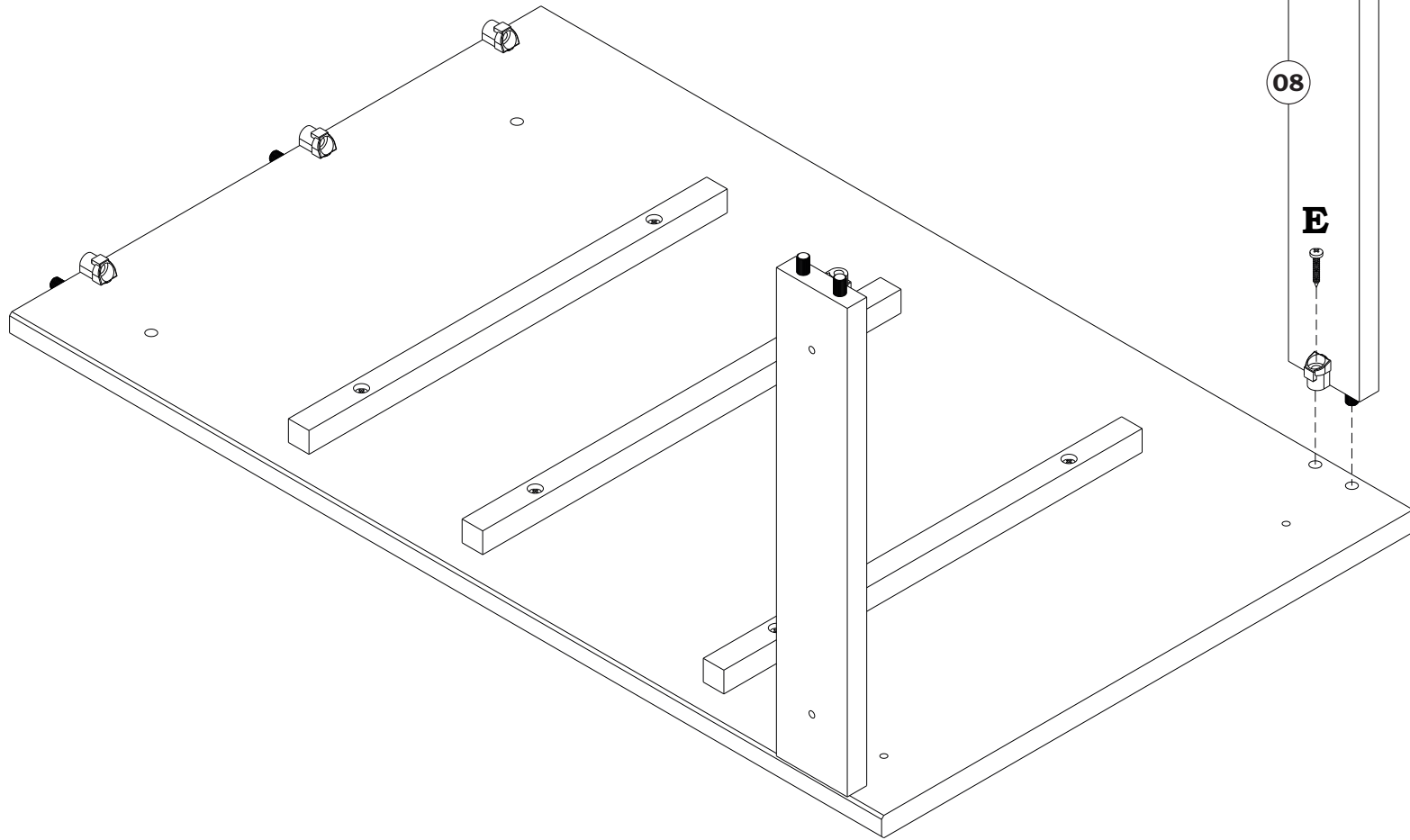



16



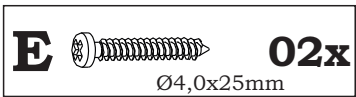
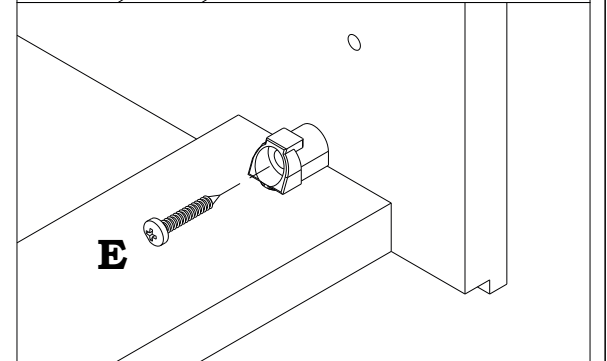
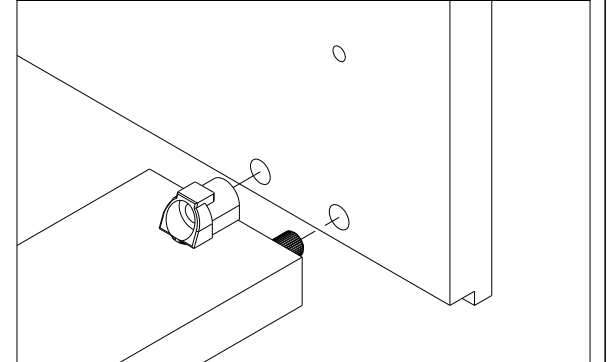
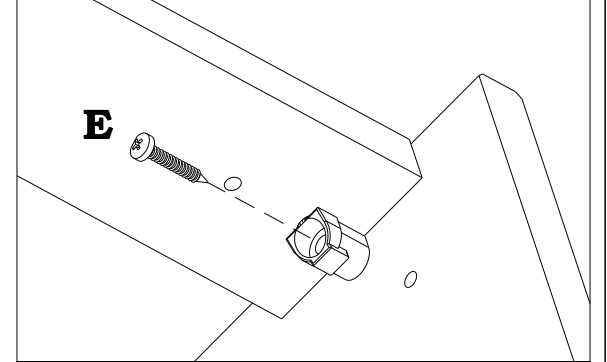
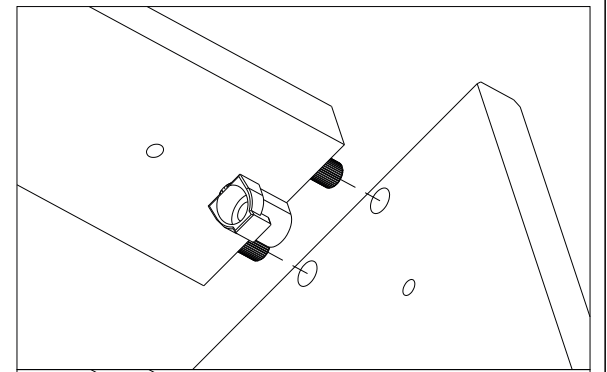
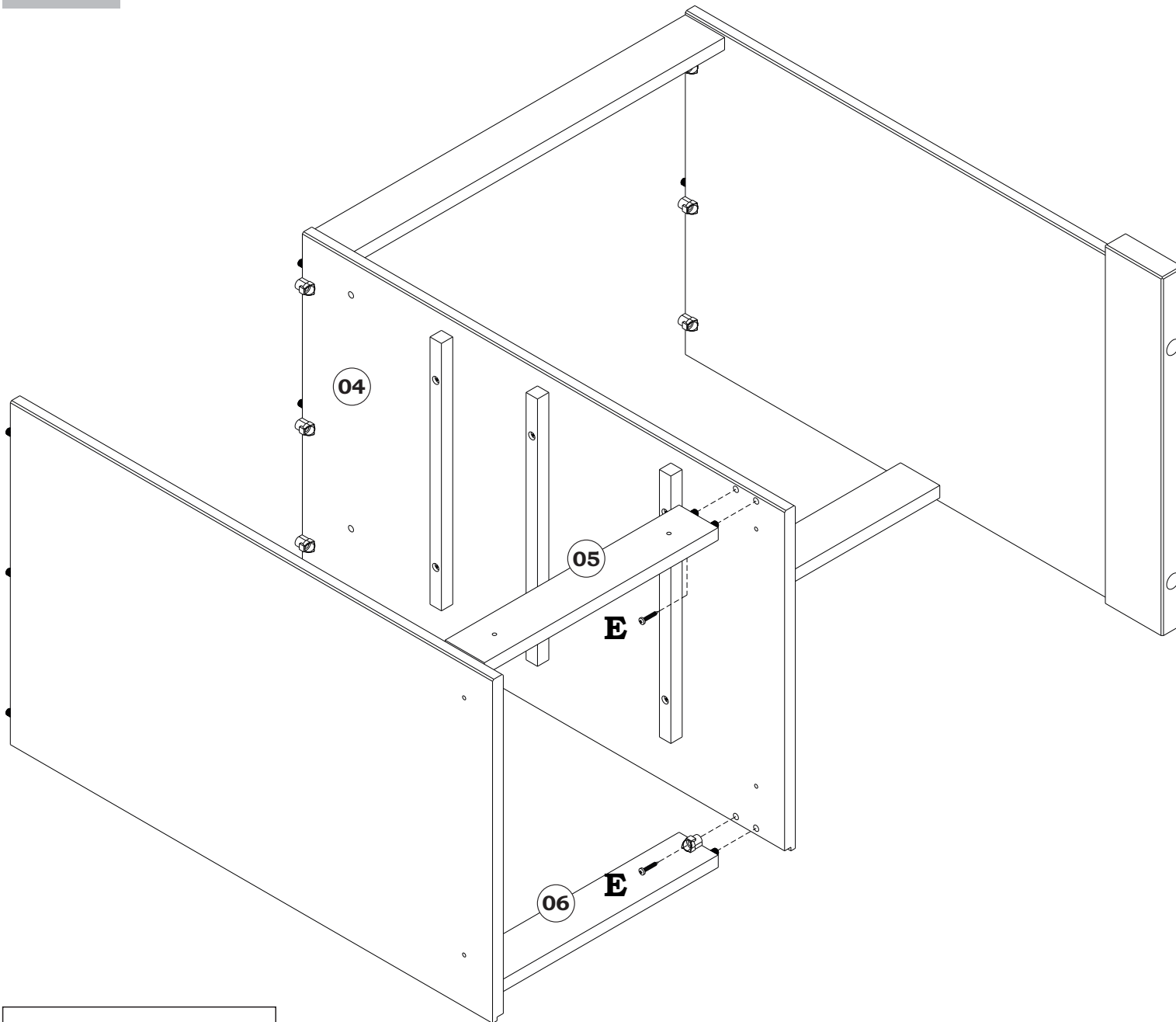
E  **01x**
Ø4,0x25mm

17

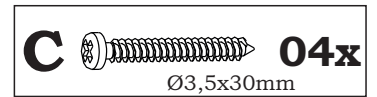
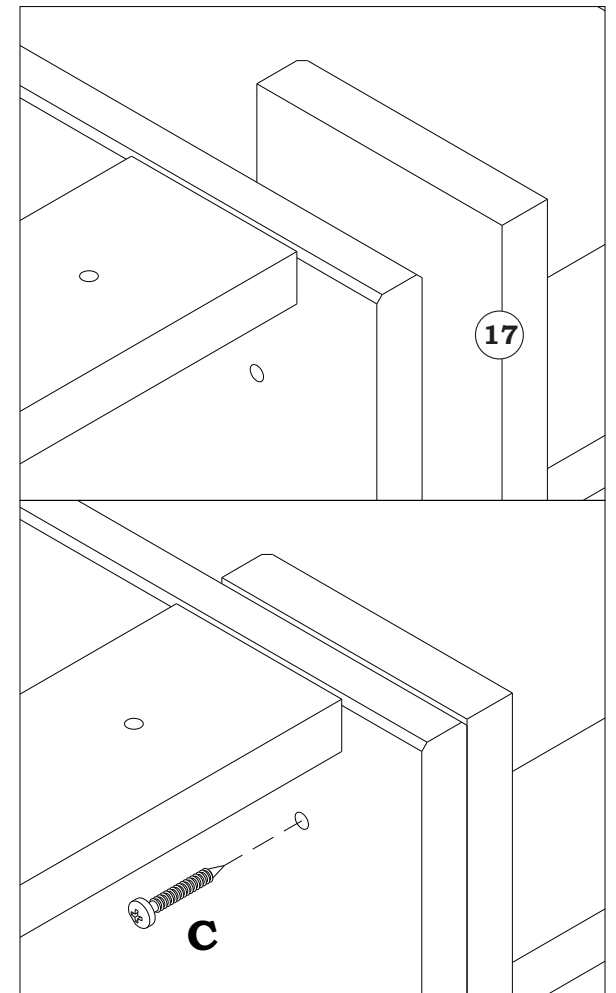
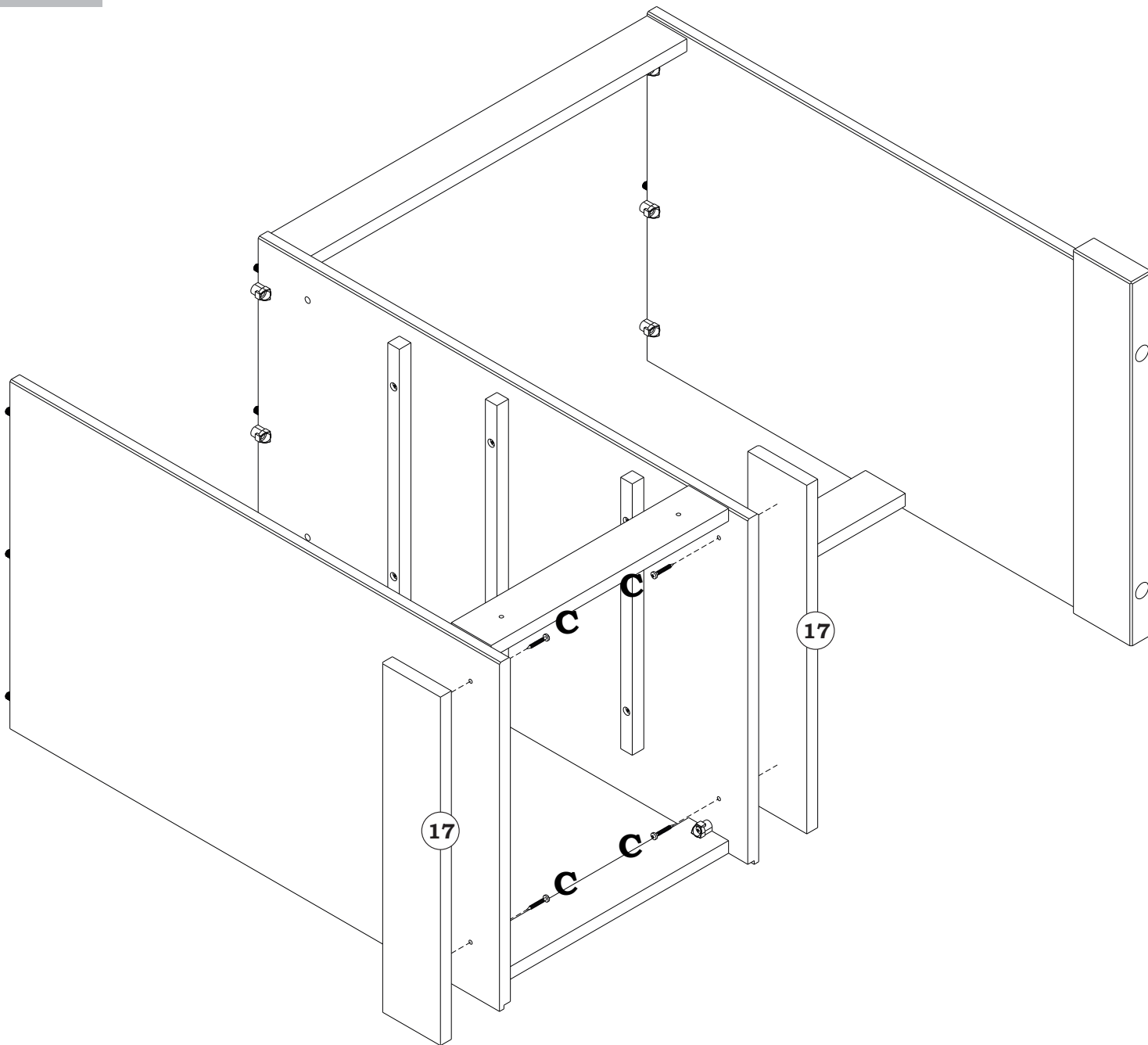


E  **01x**
Ø4,0x25mm


18

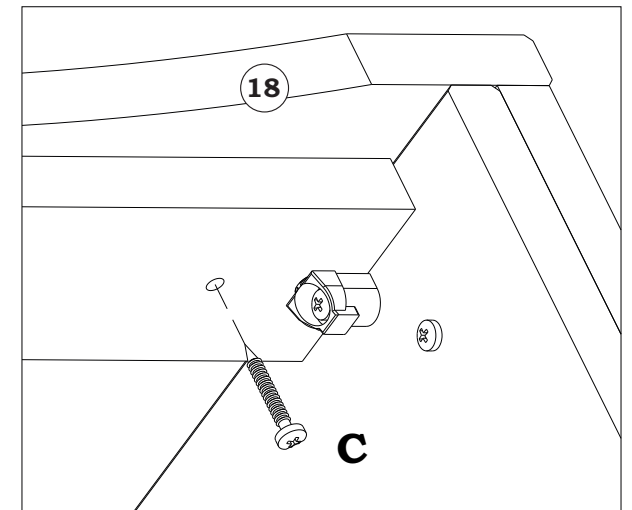
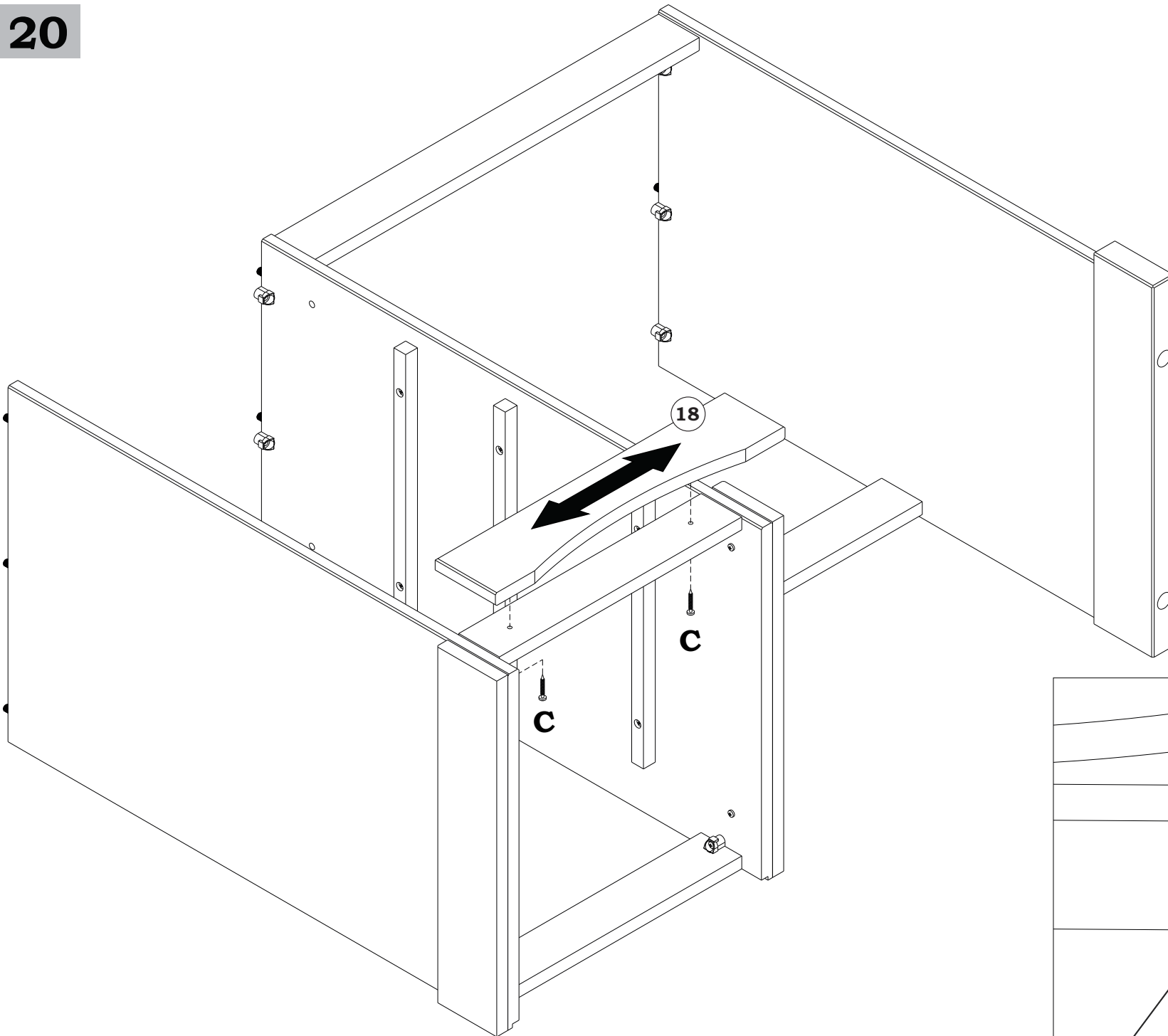


19

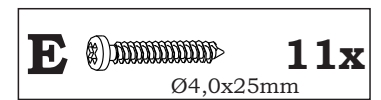
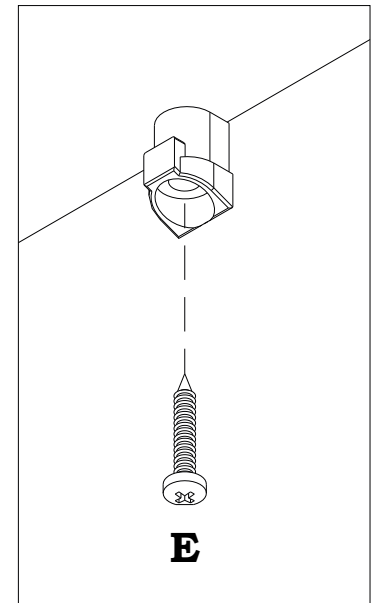
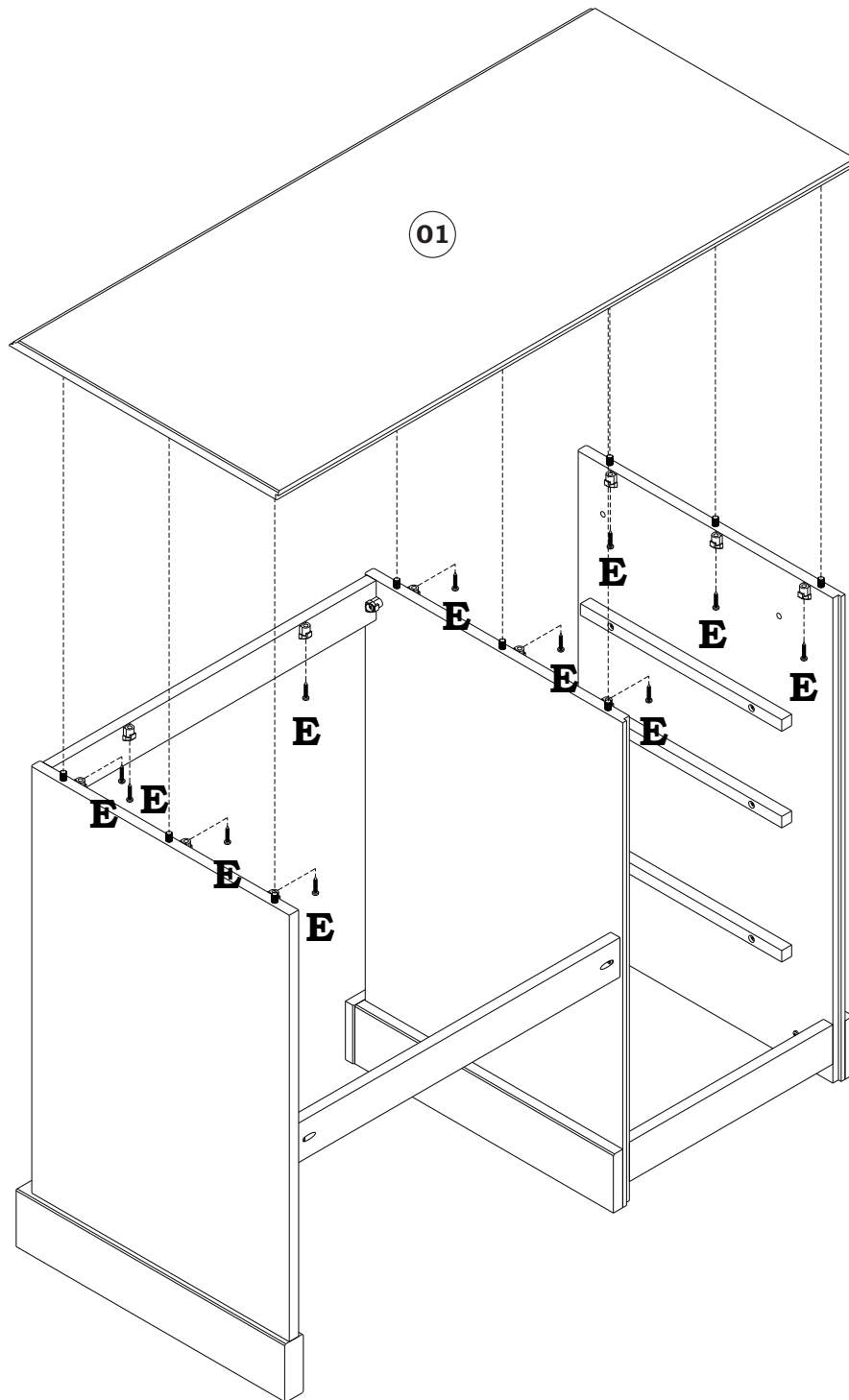


20

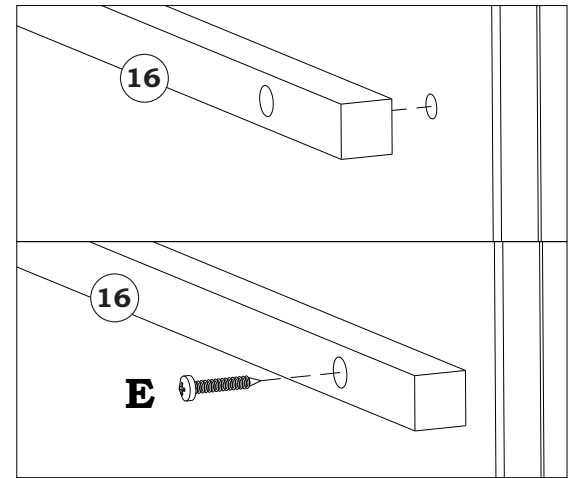
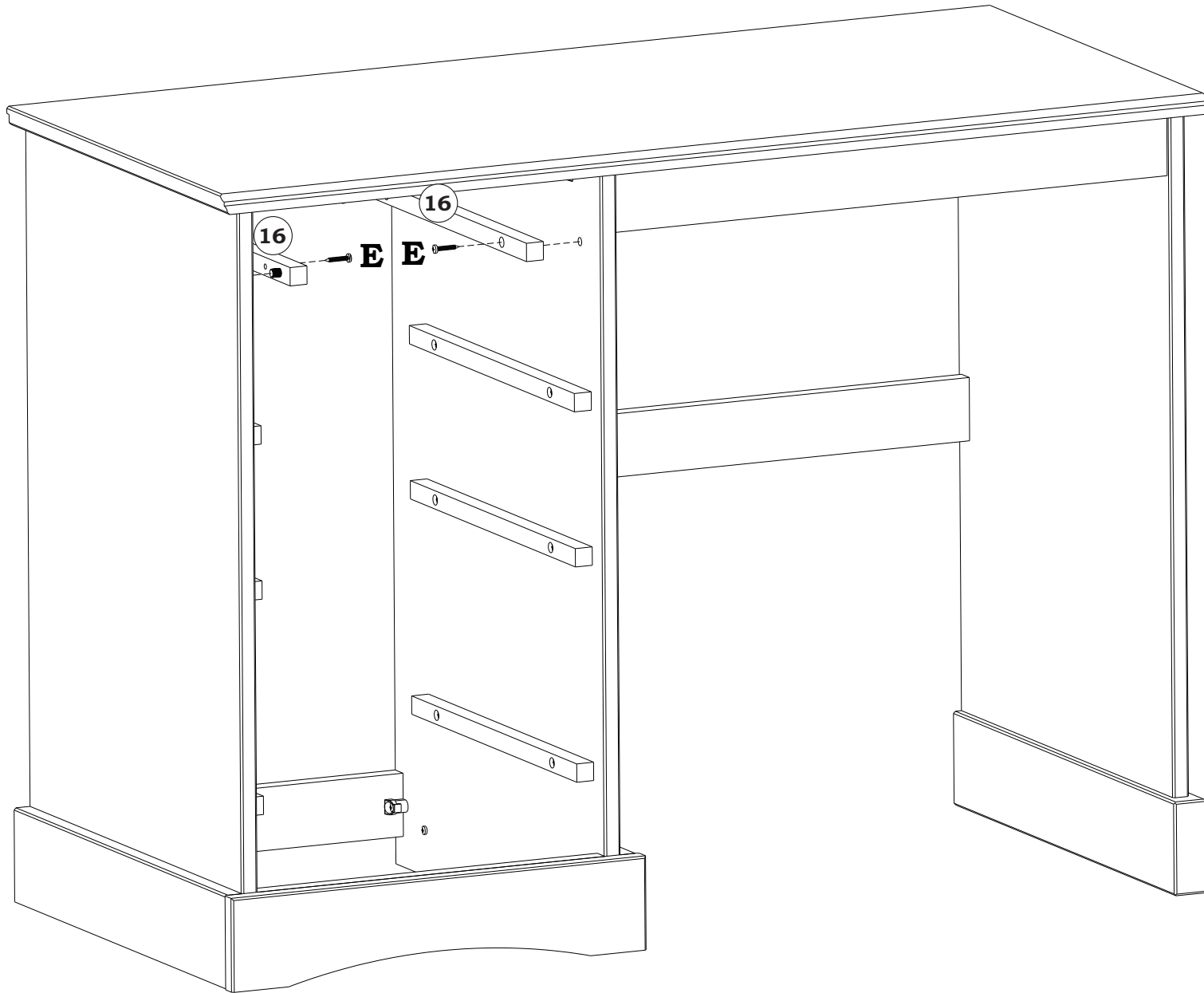
C  **02x**
Ø3,5x30mm




21

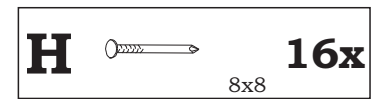
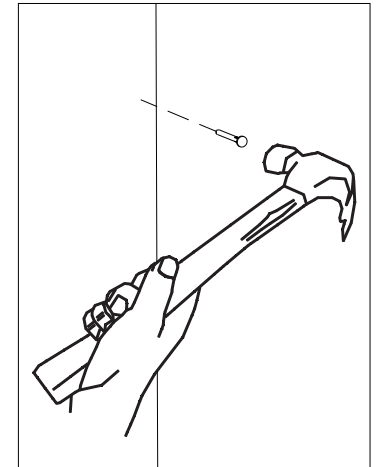
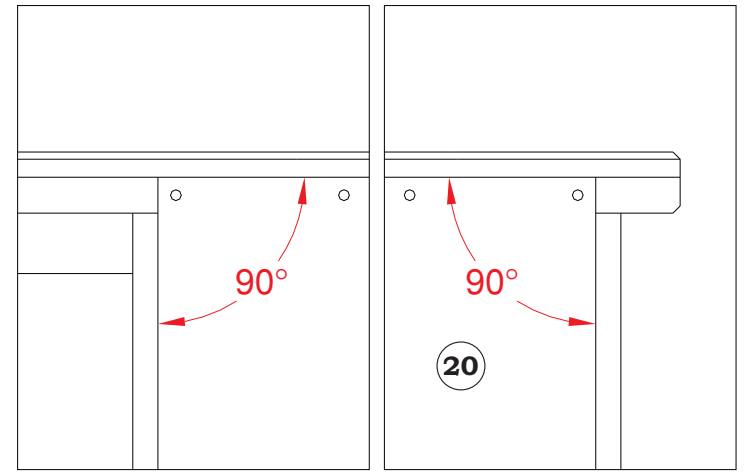
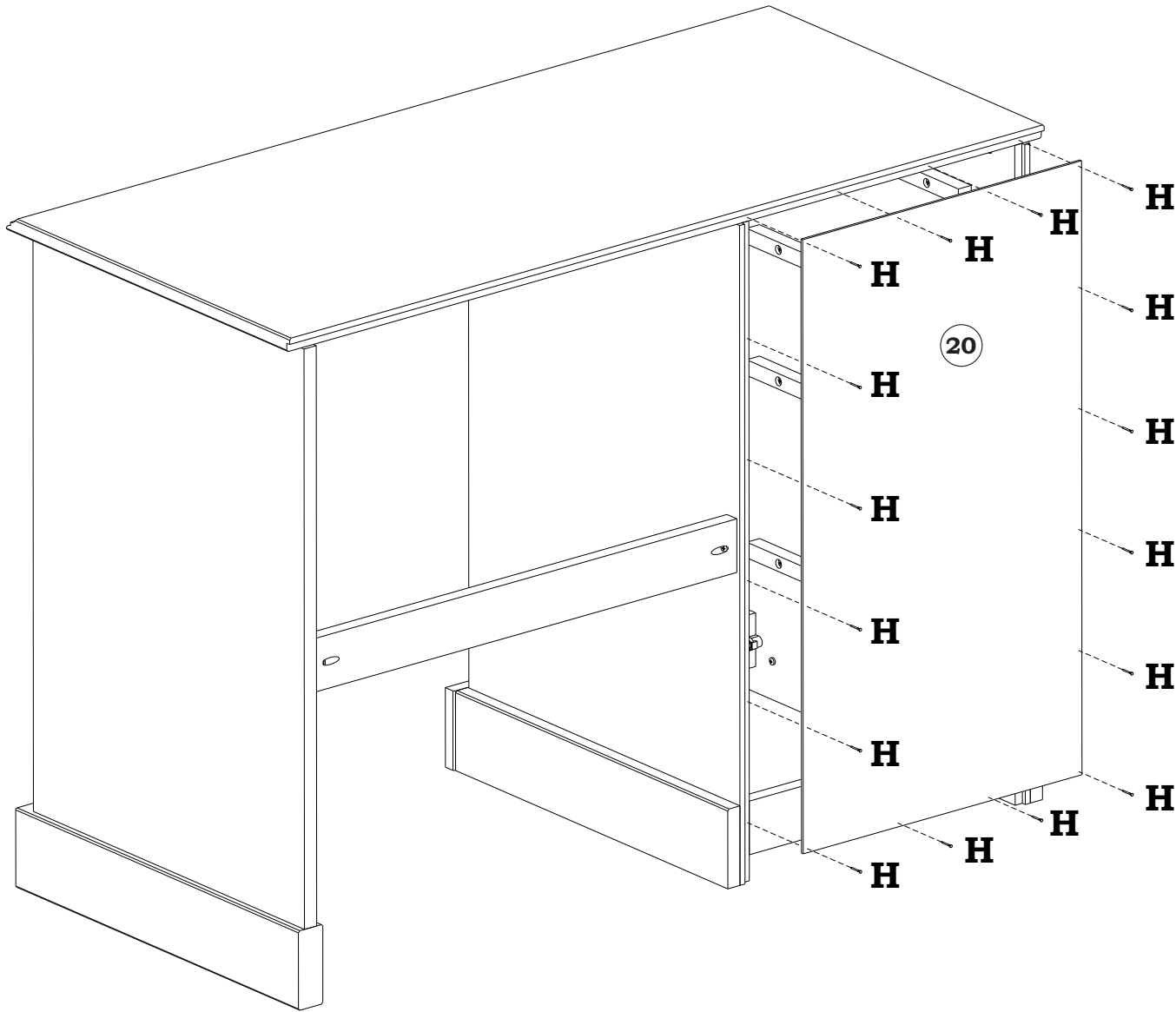


22

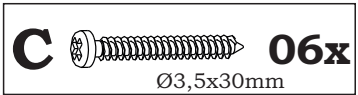
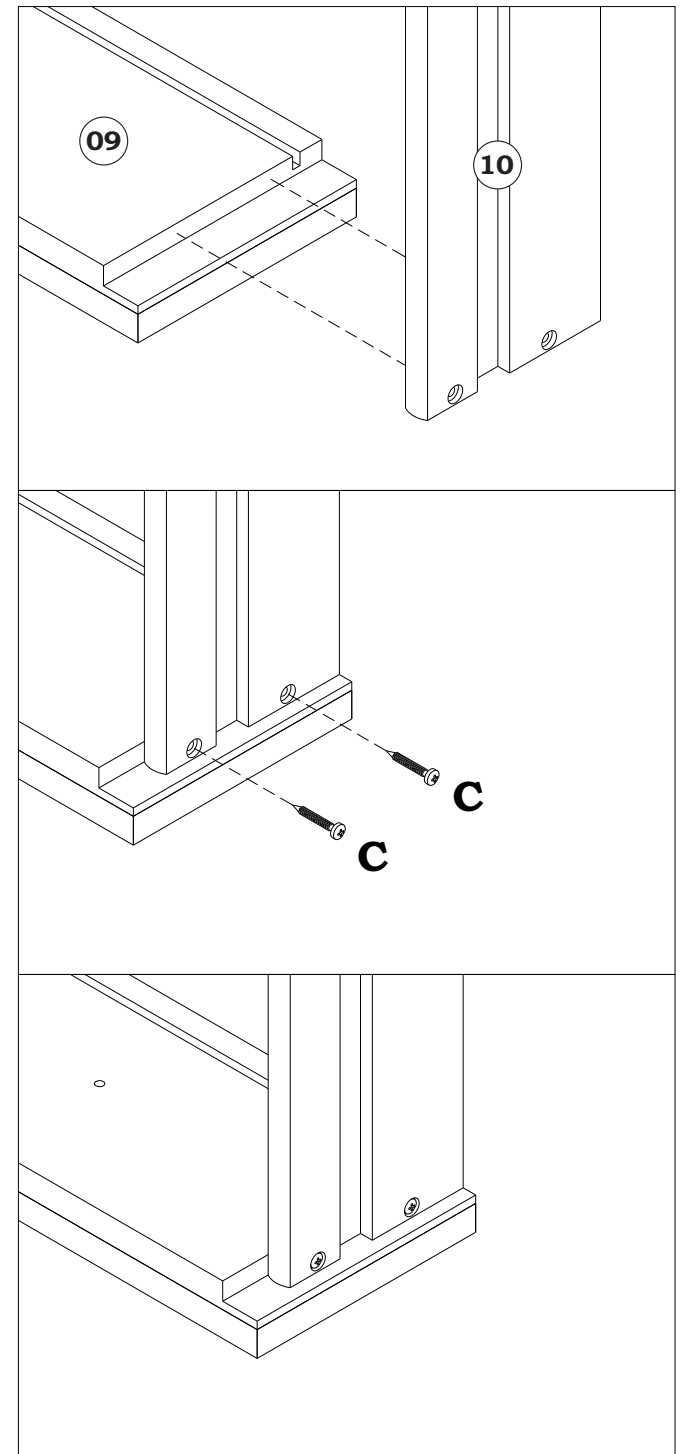
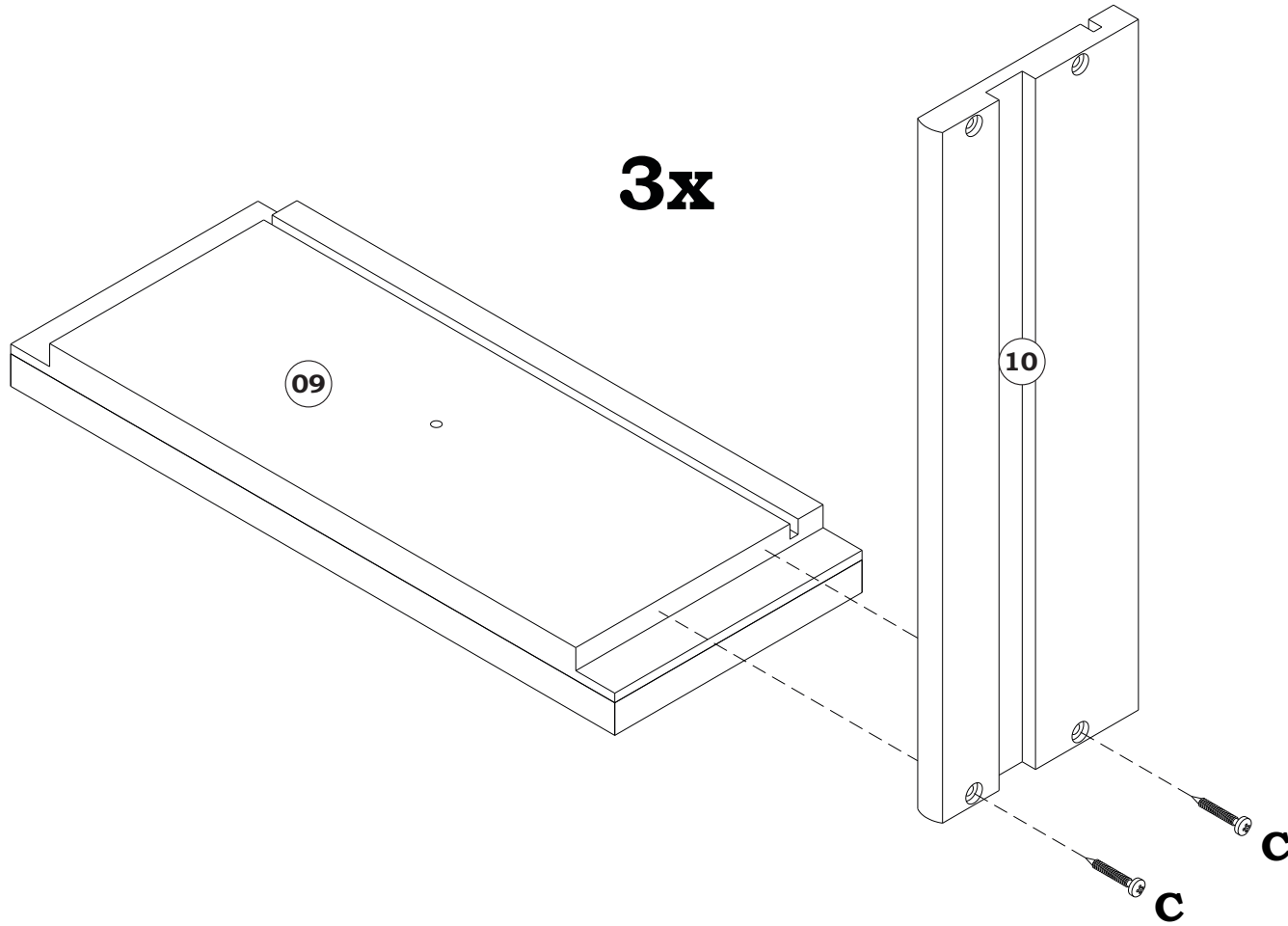


E  **04x**
Ø4,0x25mm

23

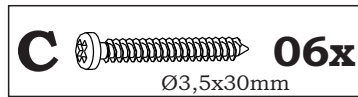
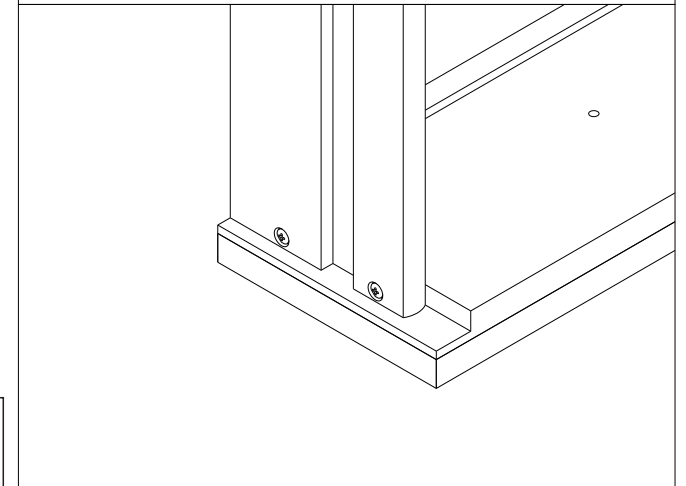
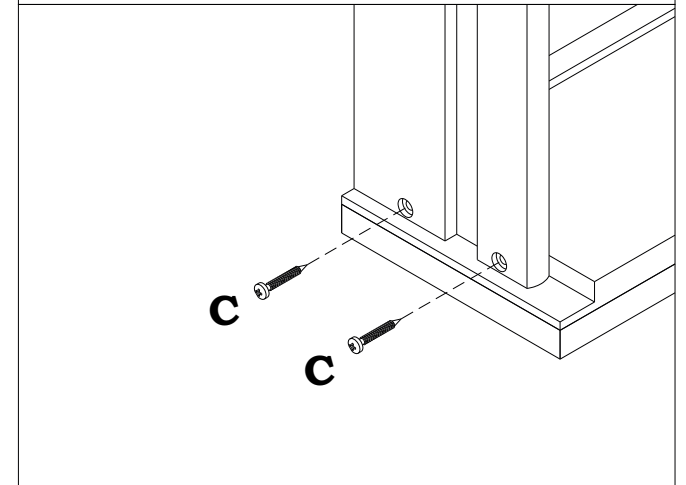
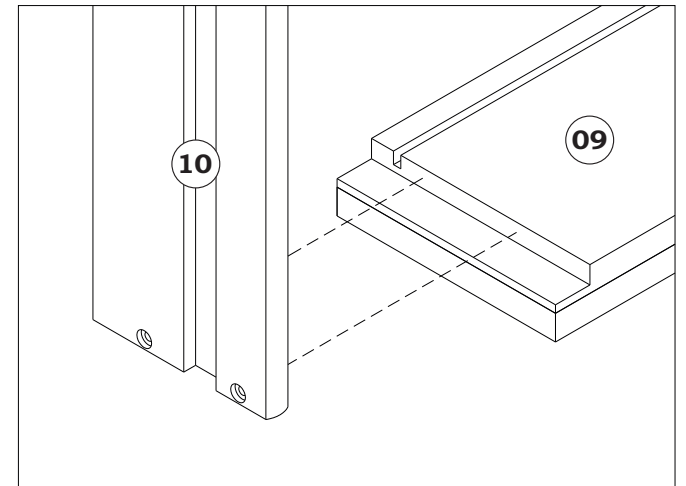
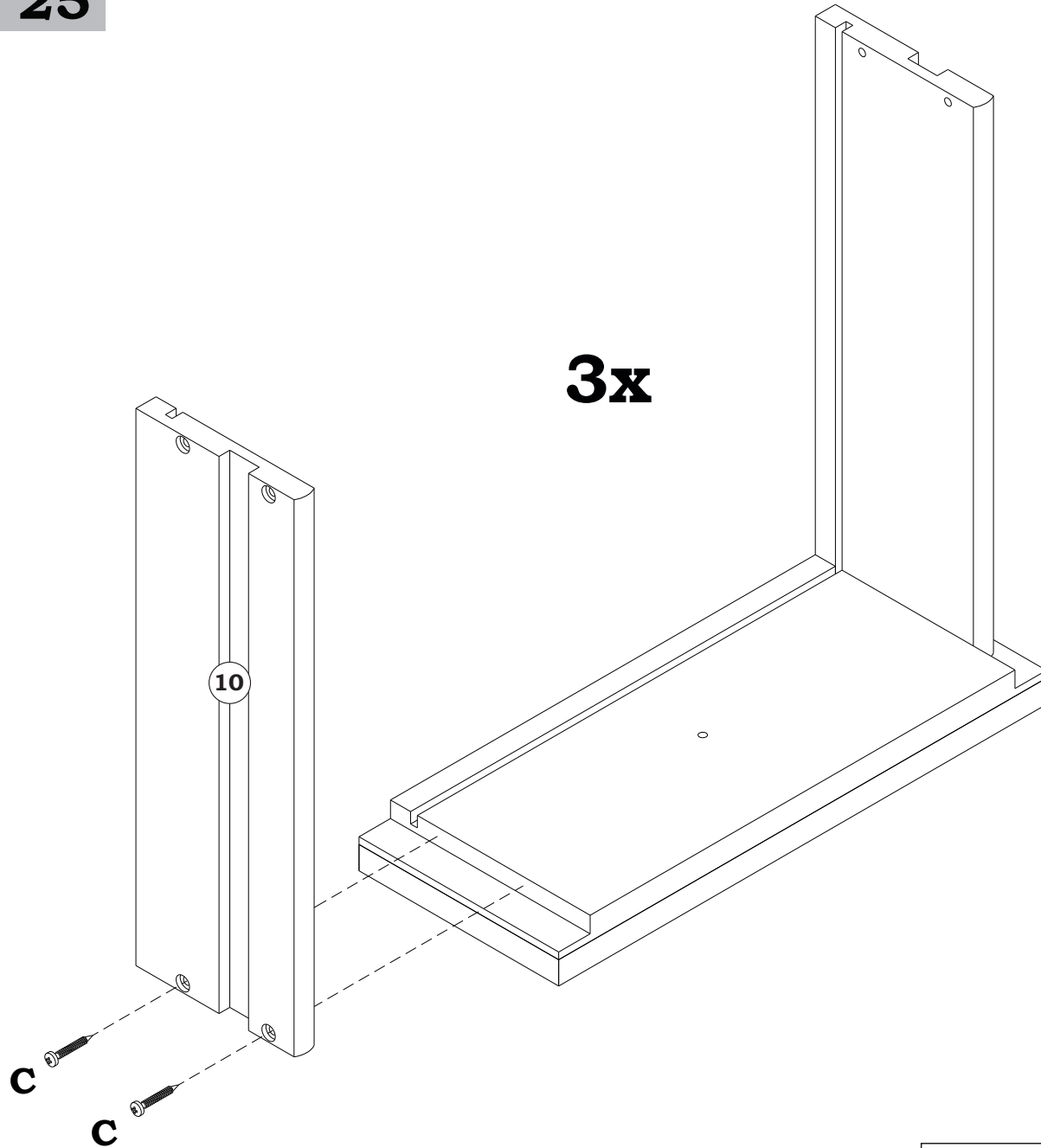


24



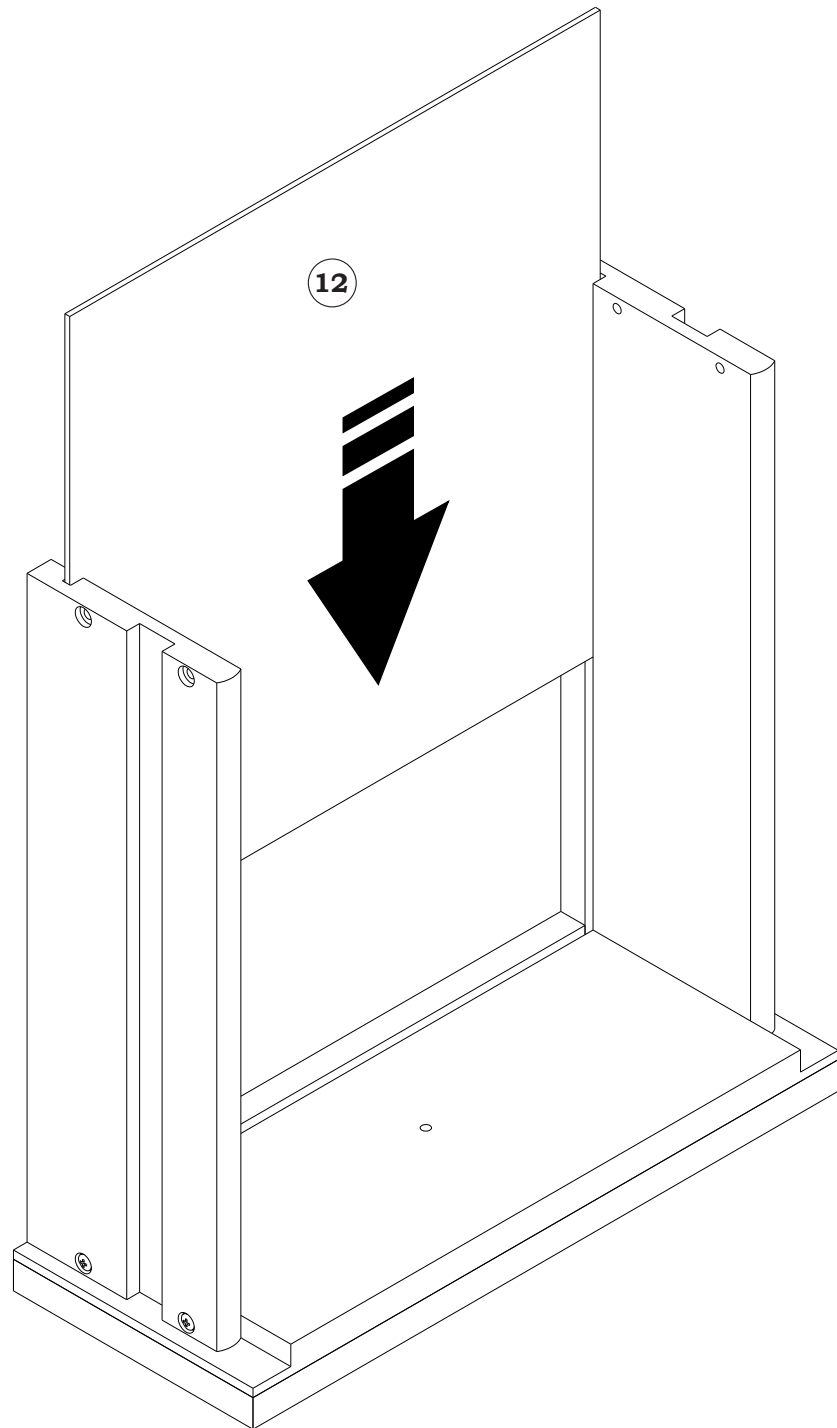
25

3x



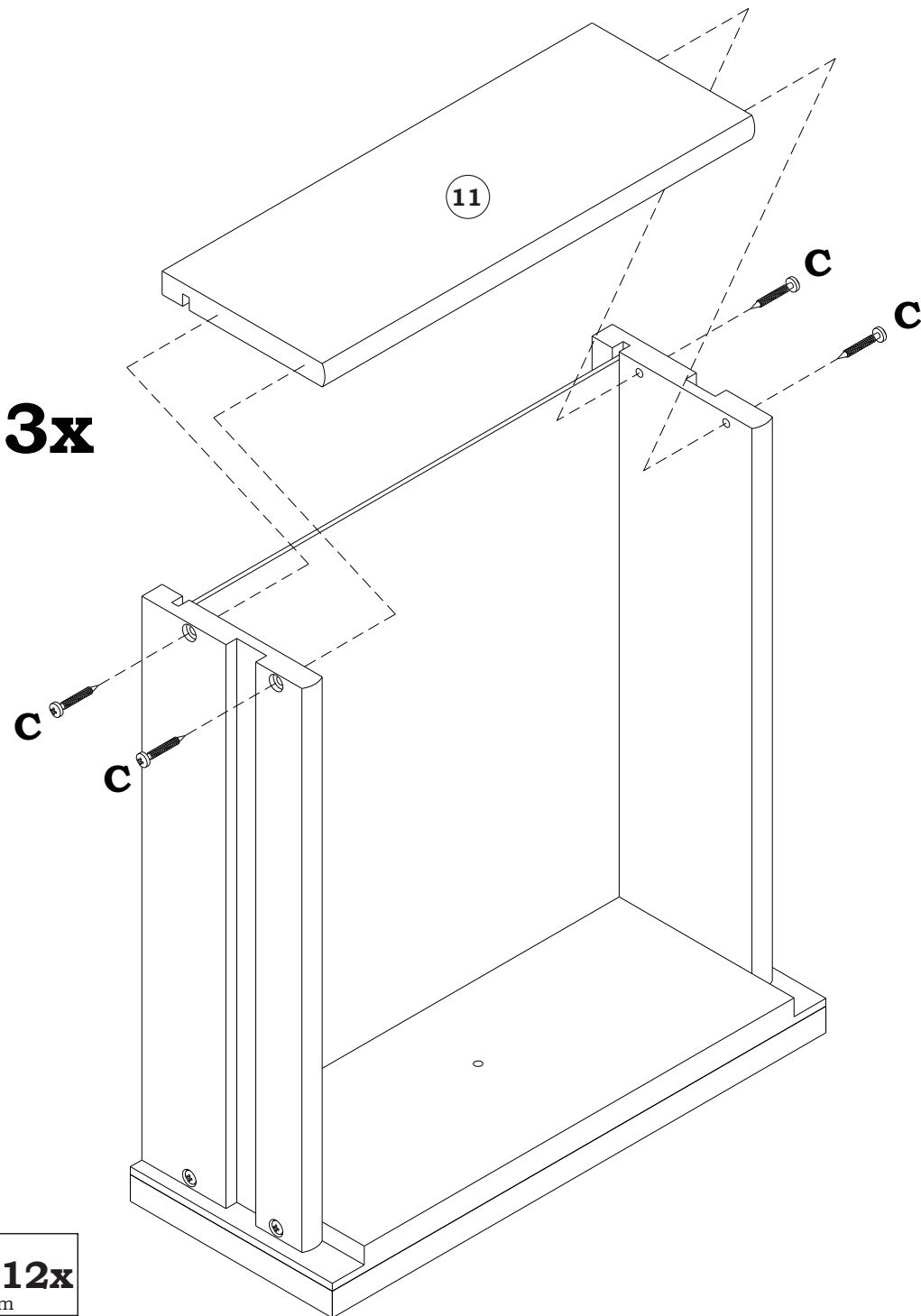
26

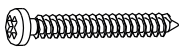
3x

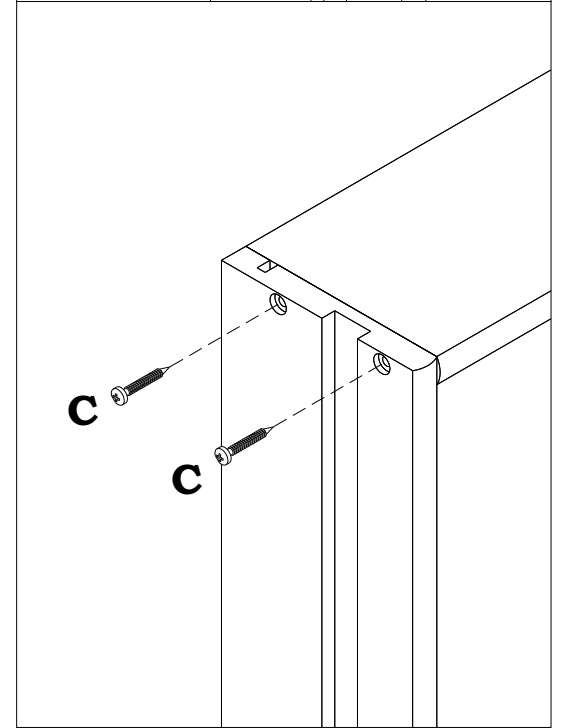
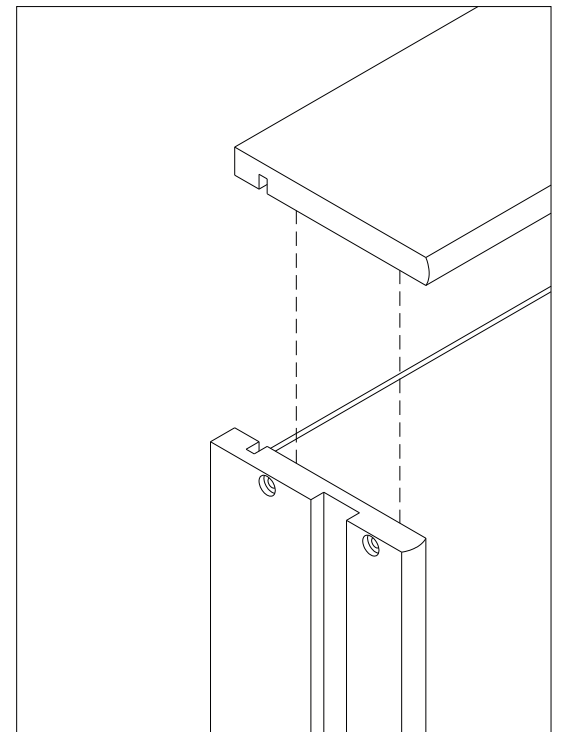


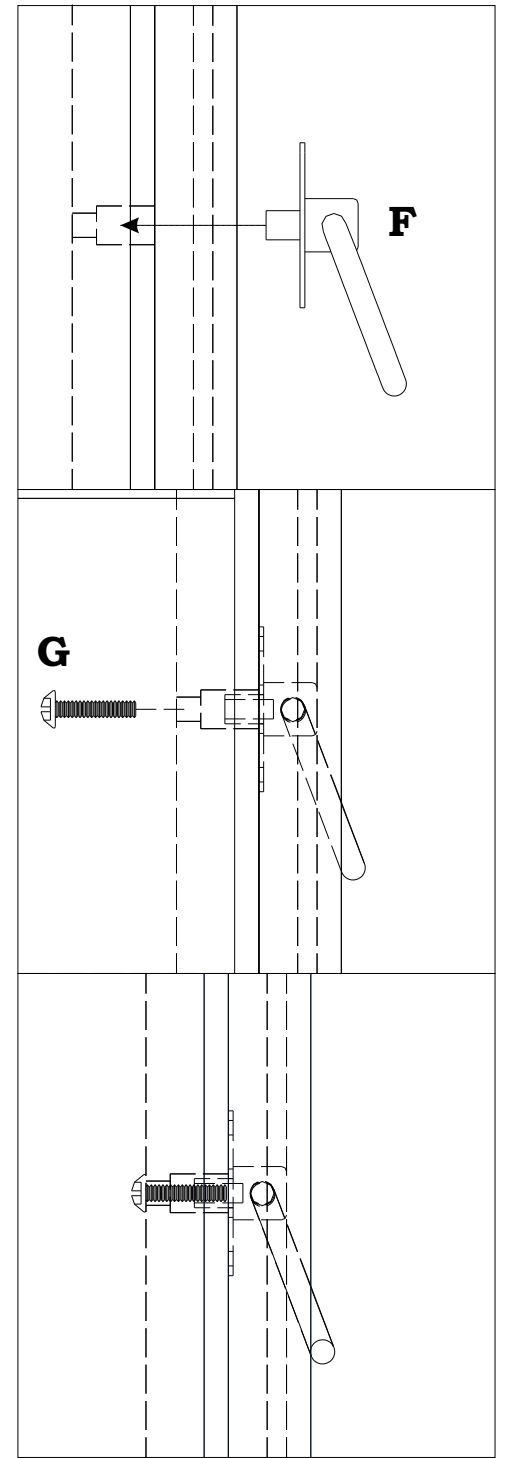
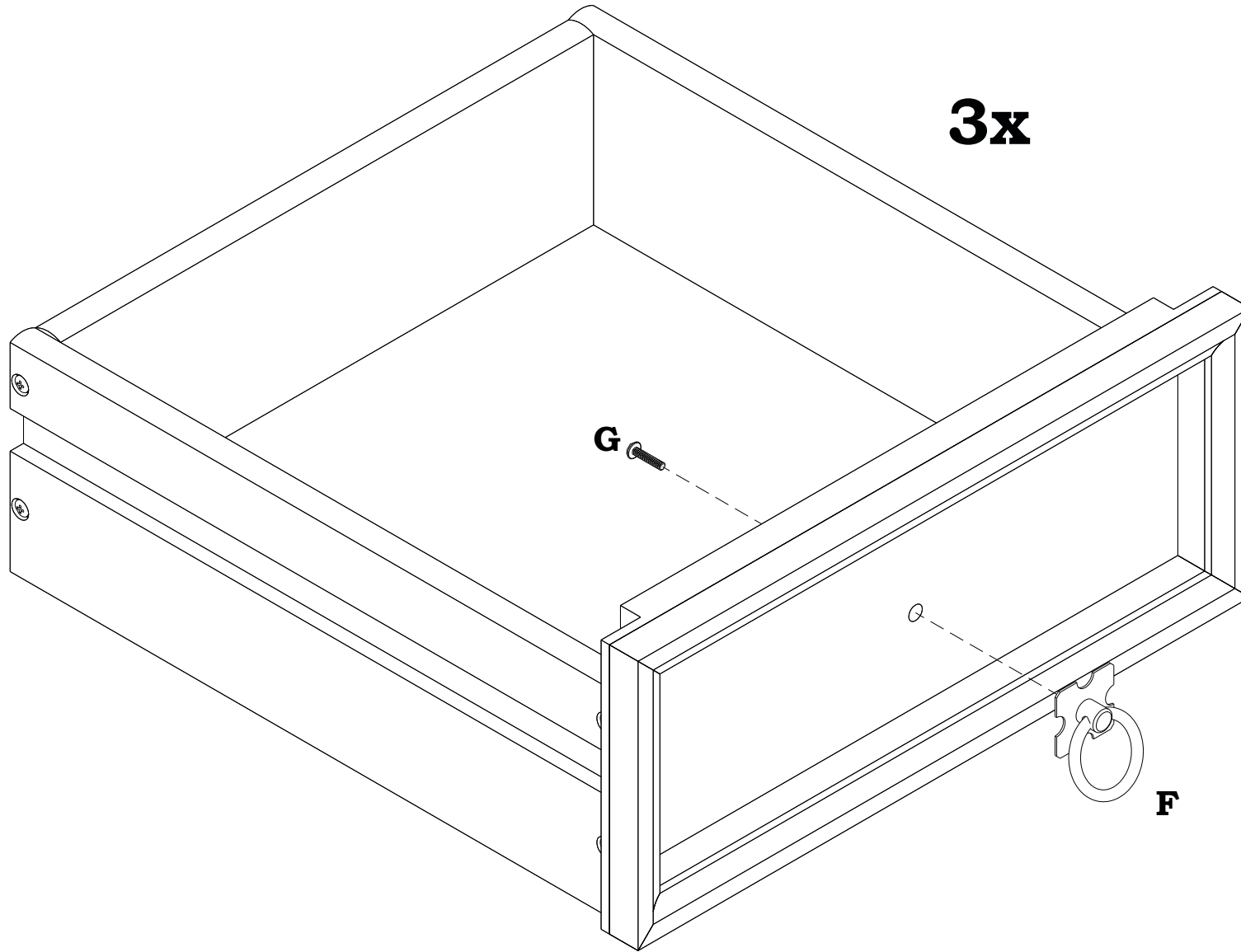
27

3x



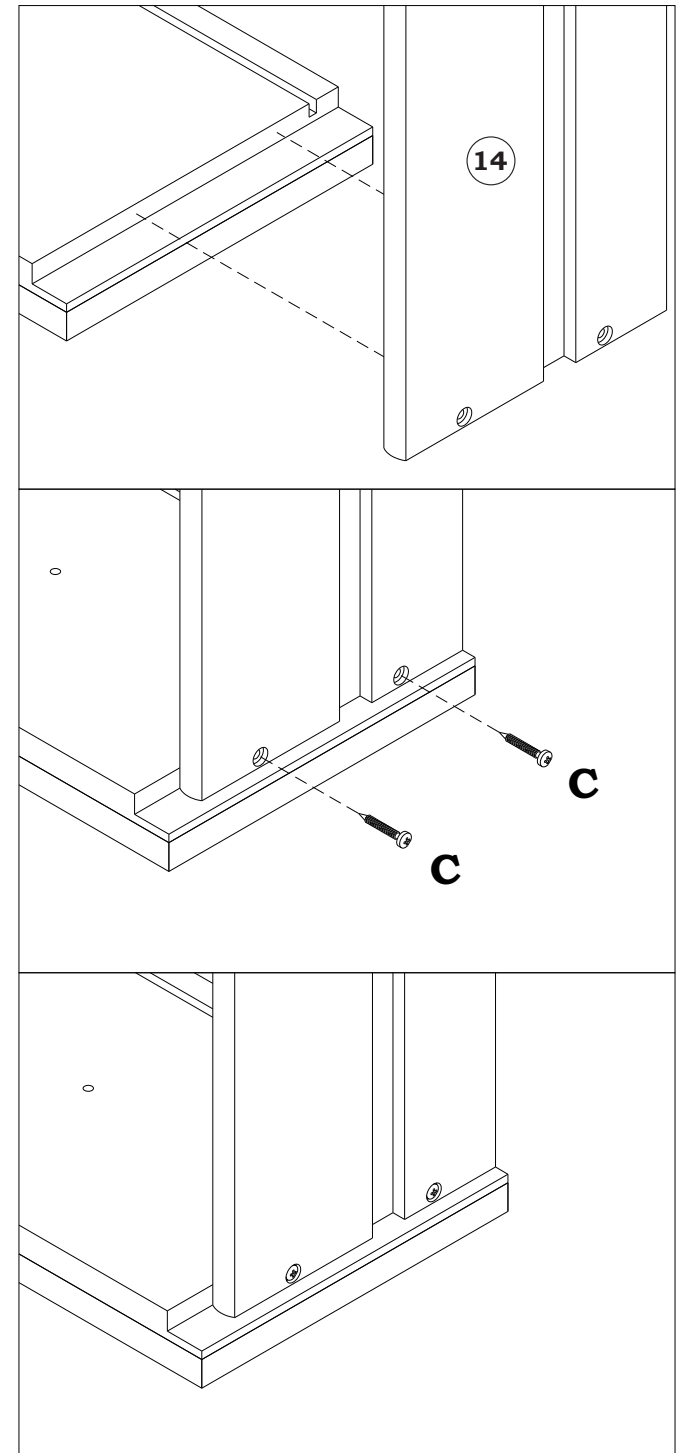
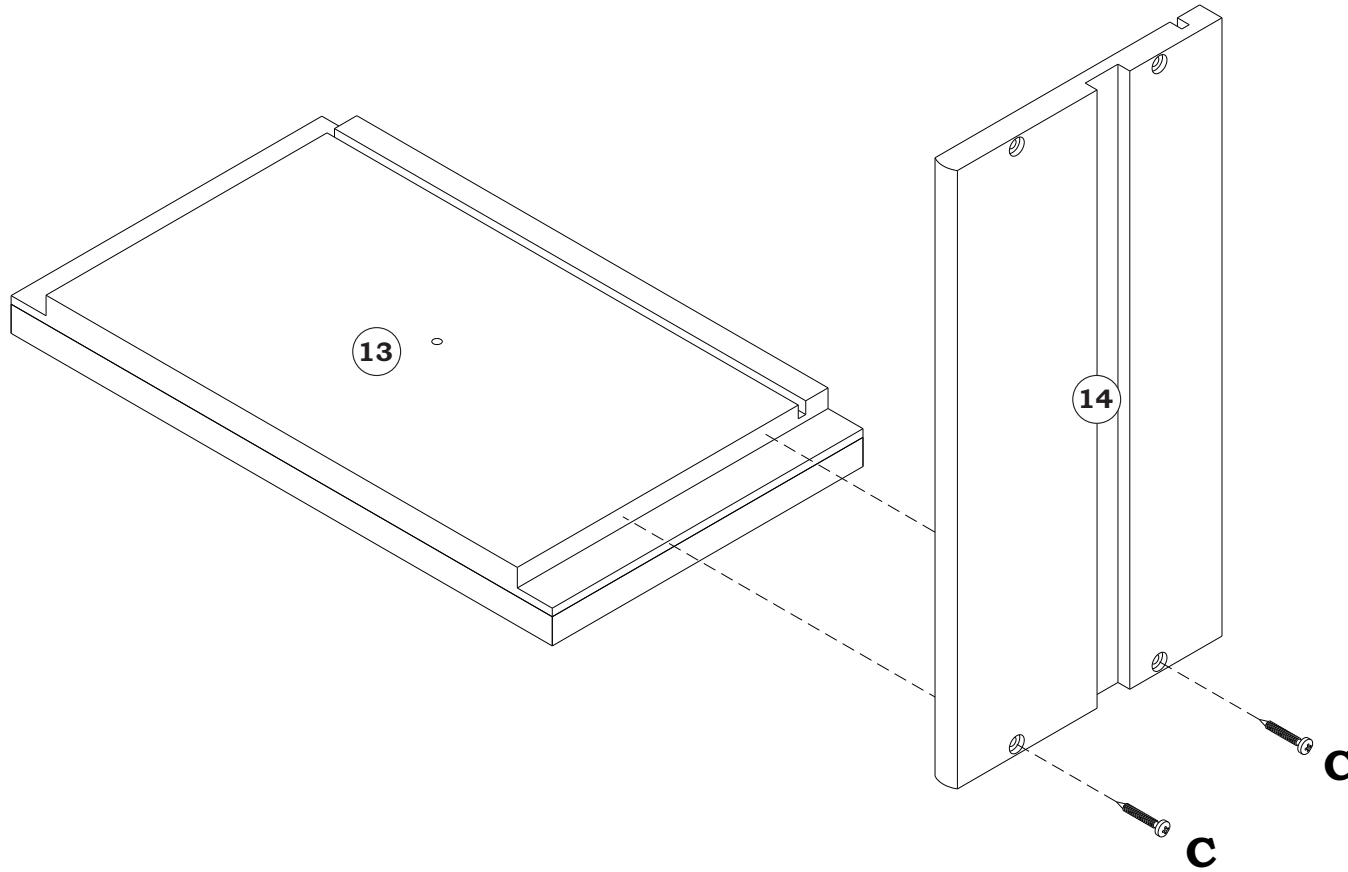
C  **12x**
Ø3,5x30mm






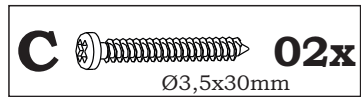
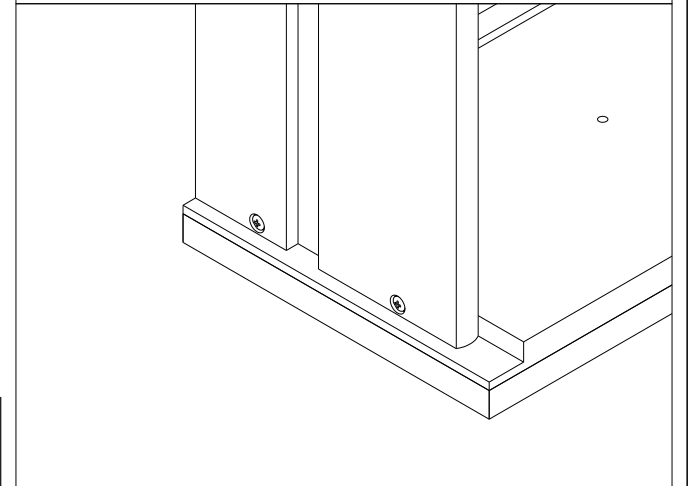
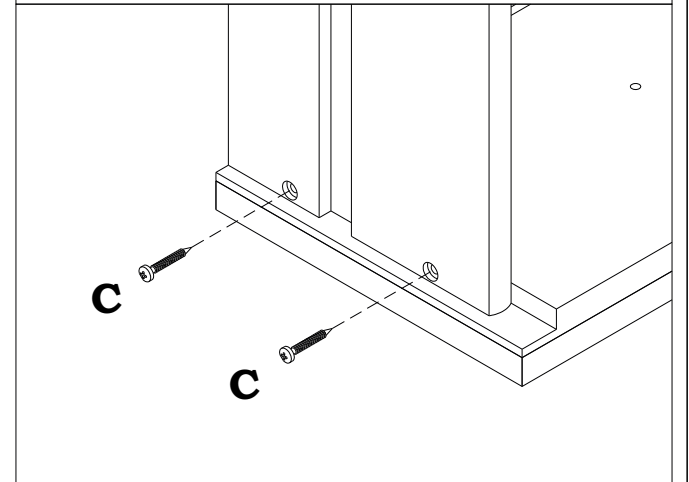
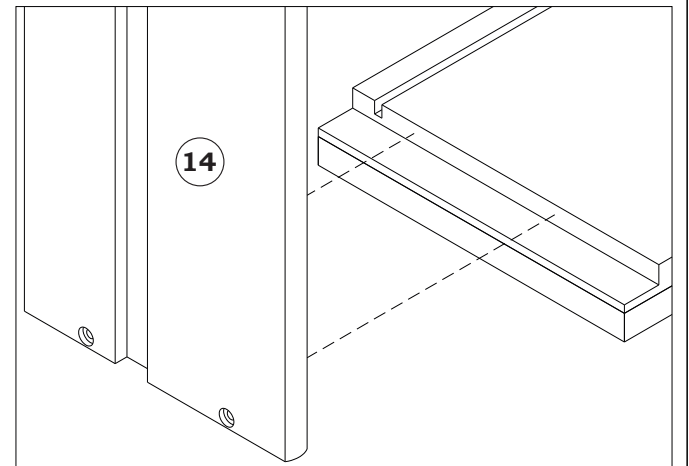
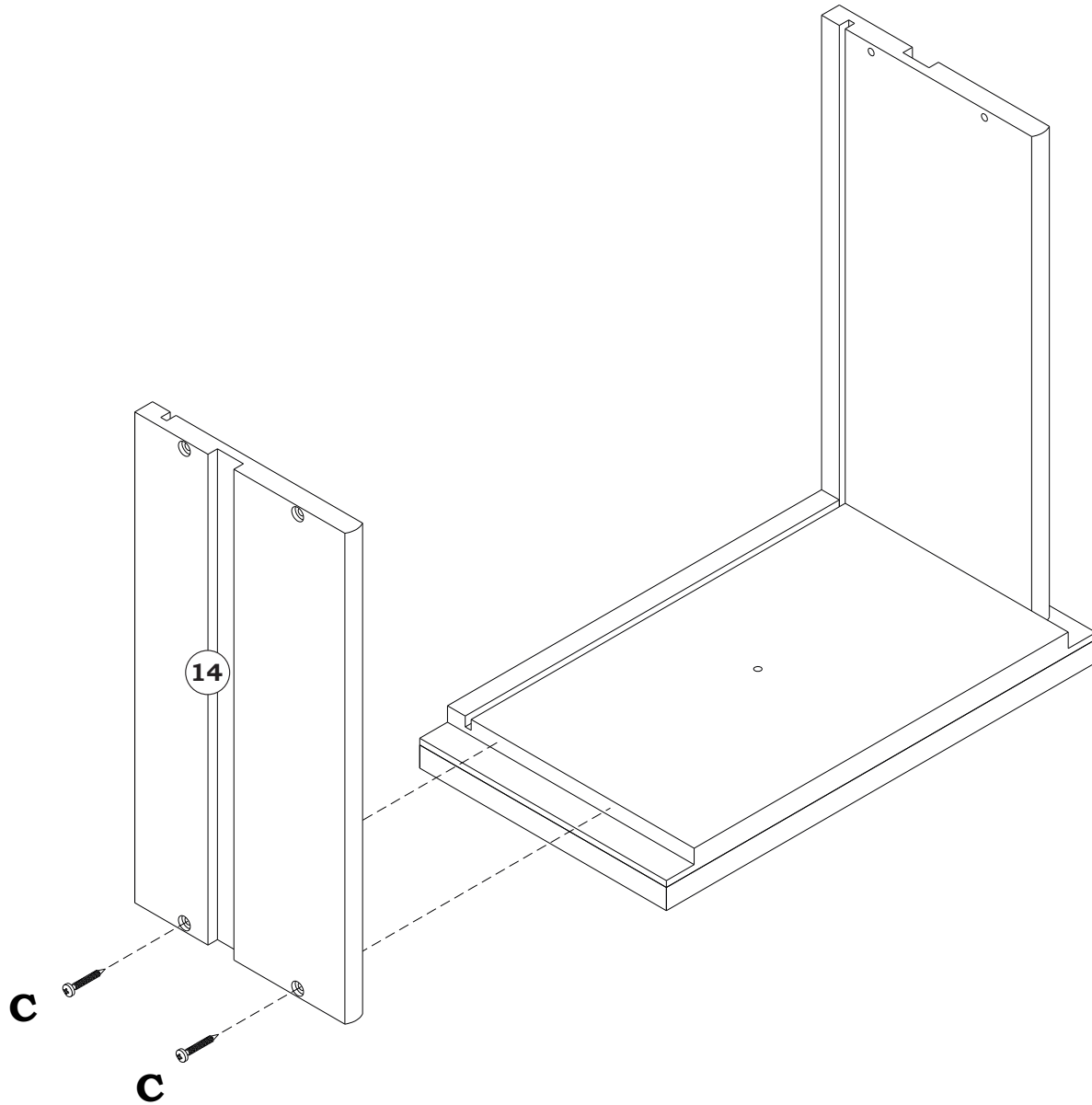
F		03x	G		03x
				3/16"x5/8"	

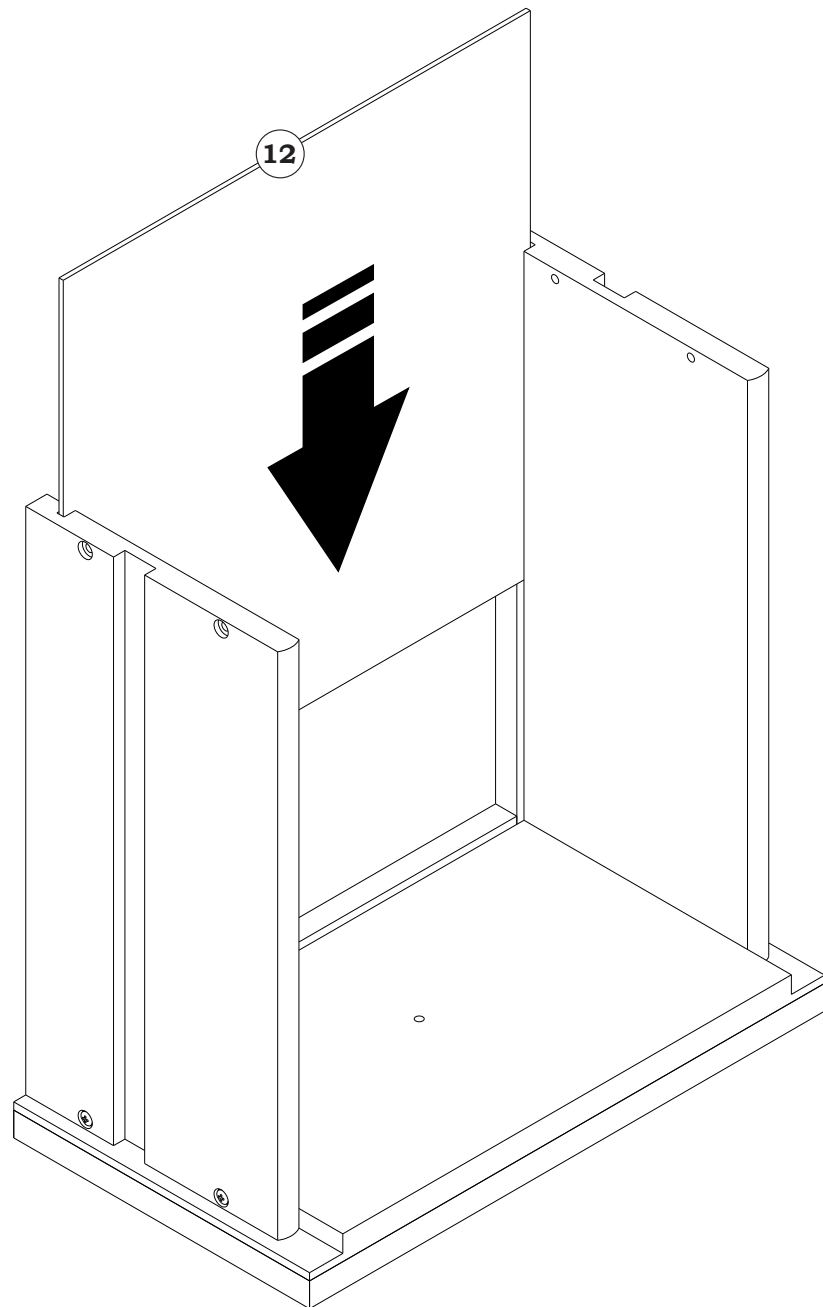
29



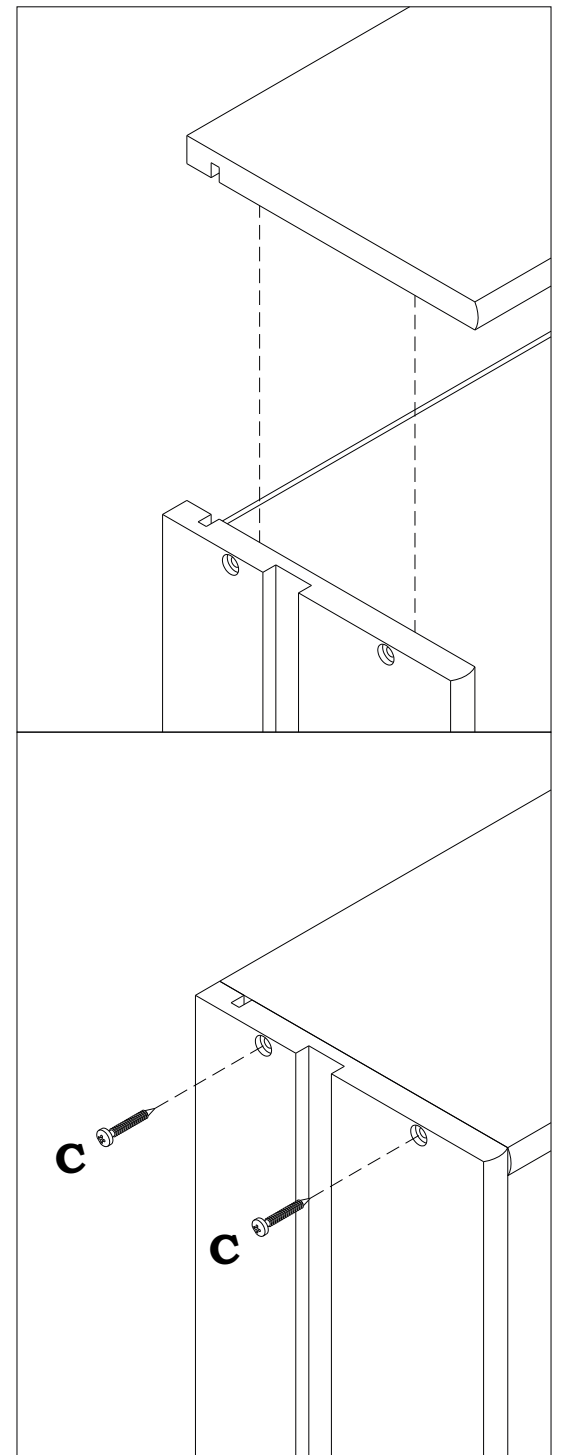
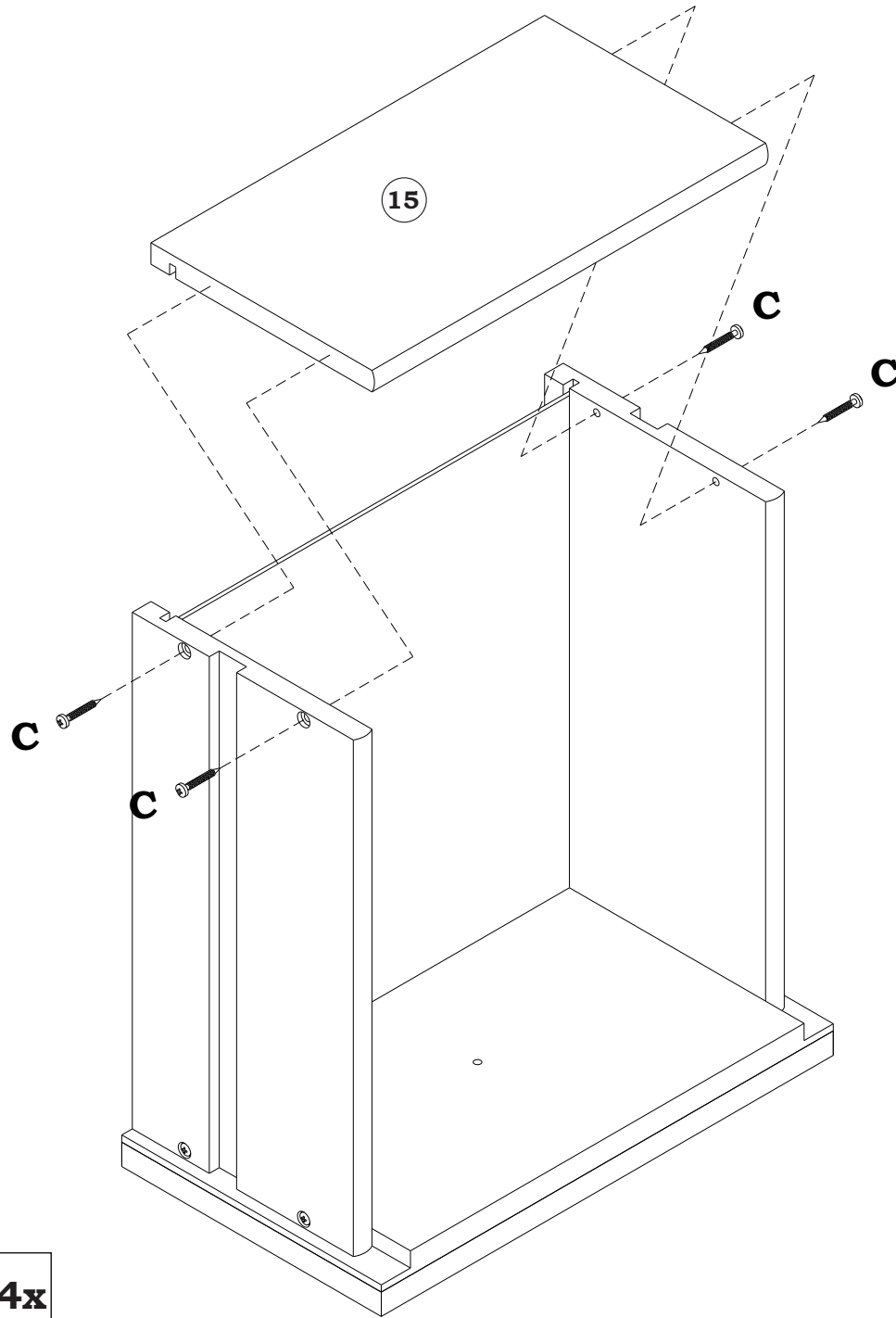
C  **02x**
Ø3,5x30mm


30



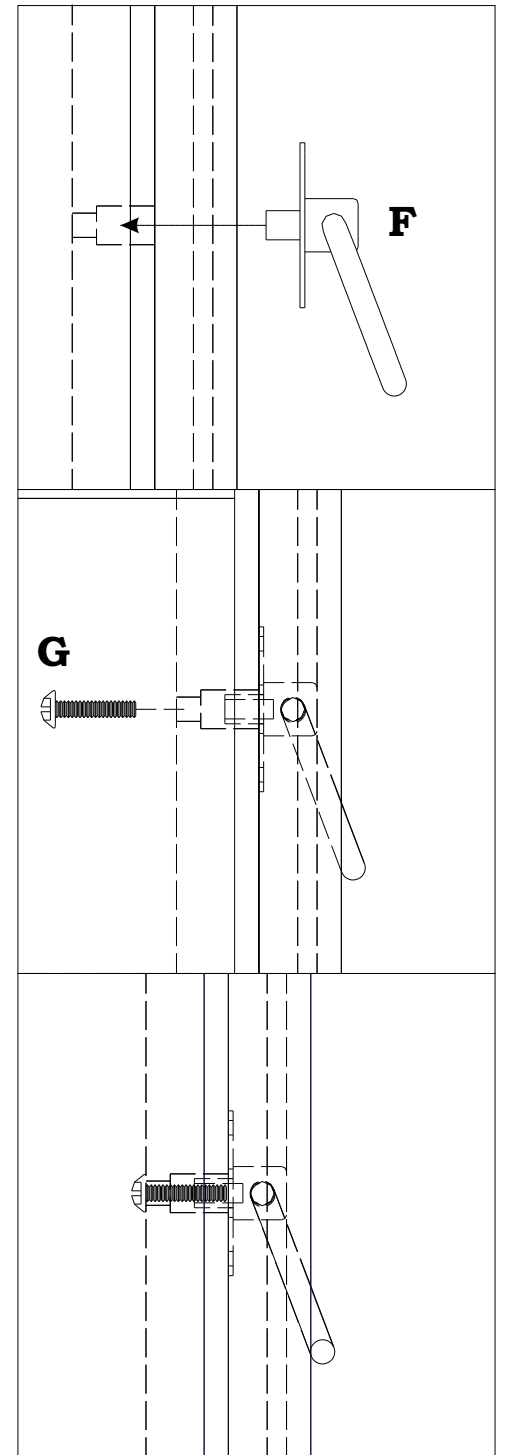
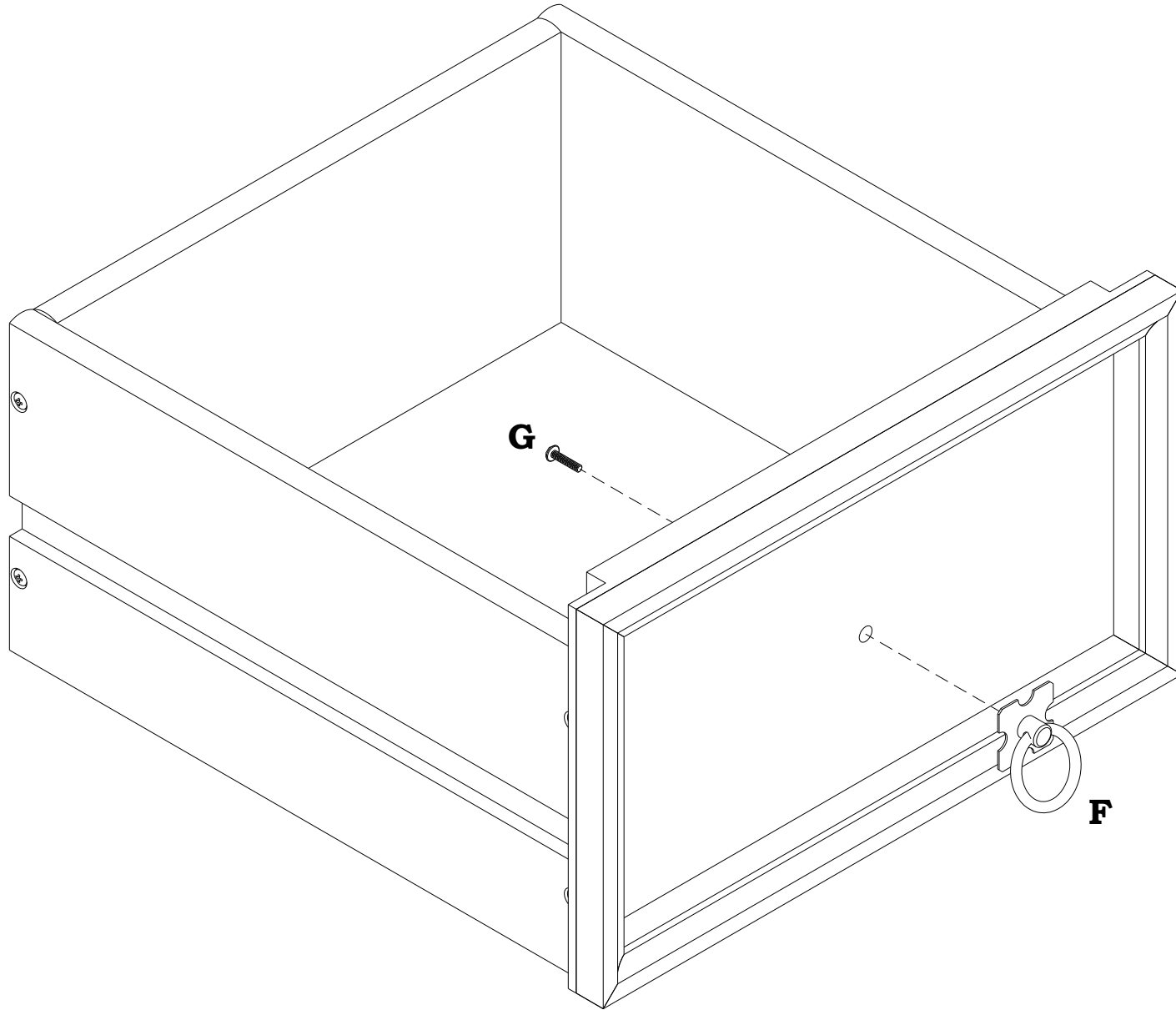


32



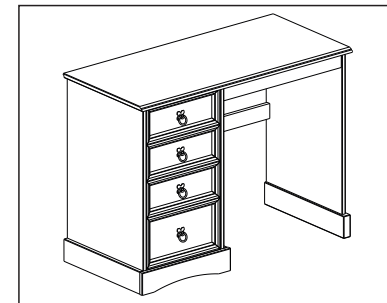
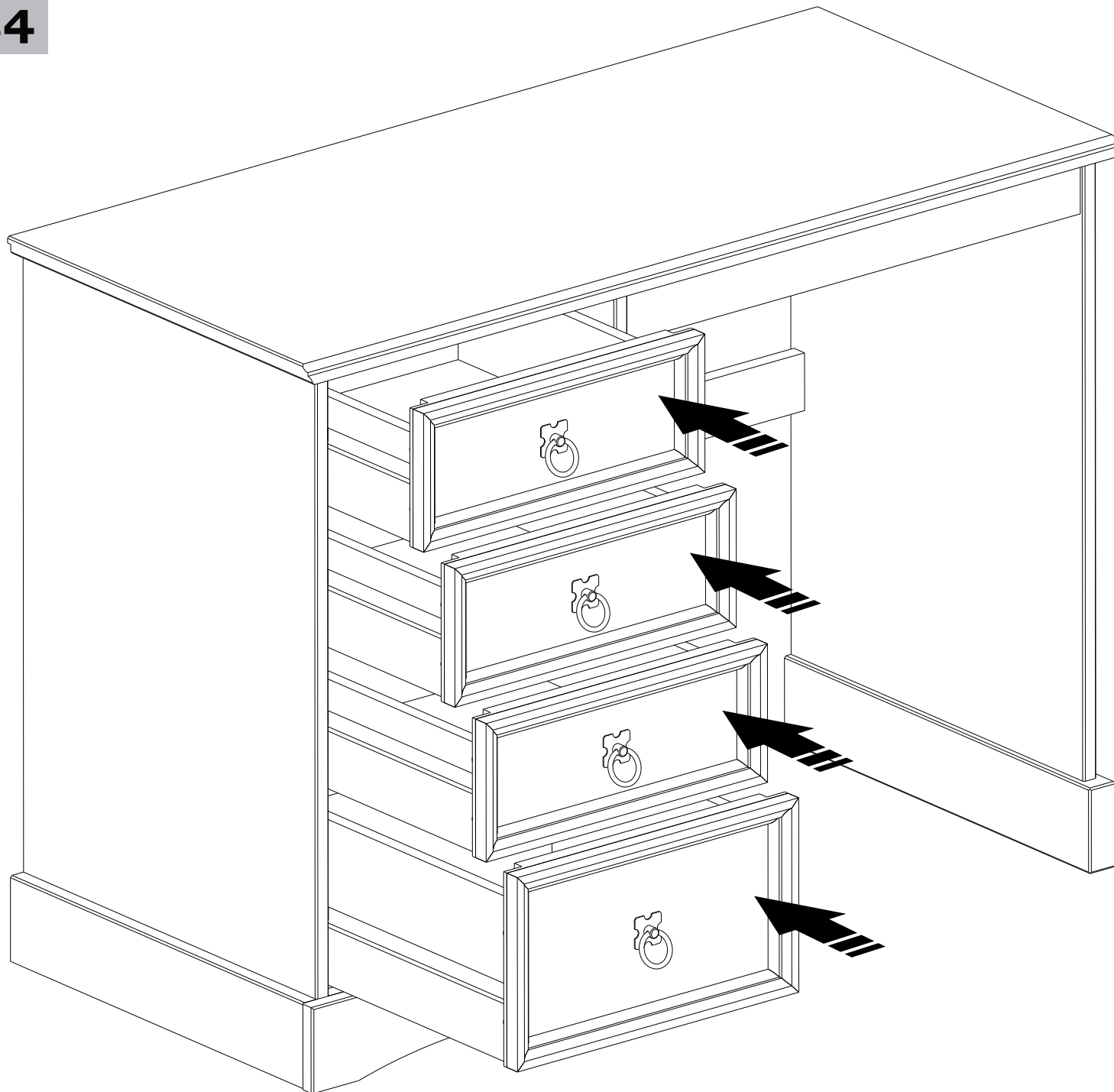
C  **04x**
Ø3,5x30mm

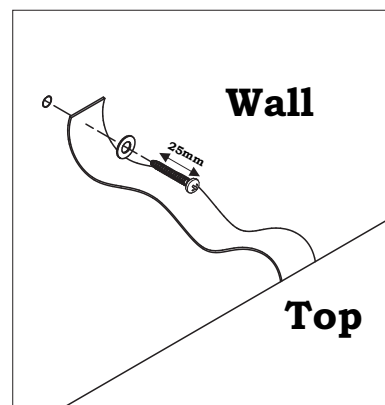
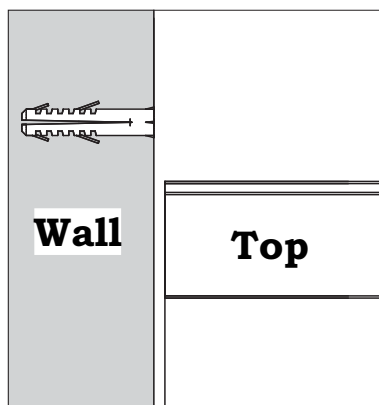
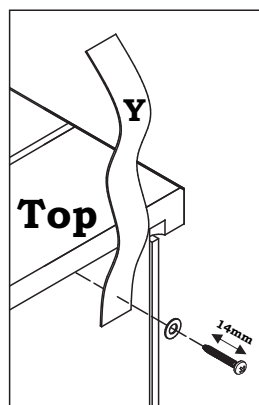
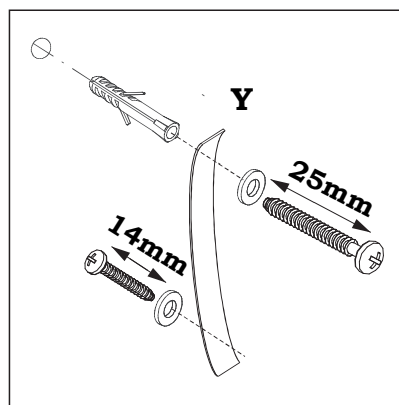
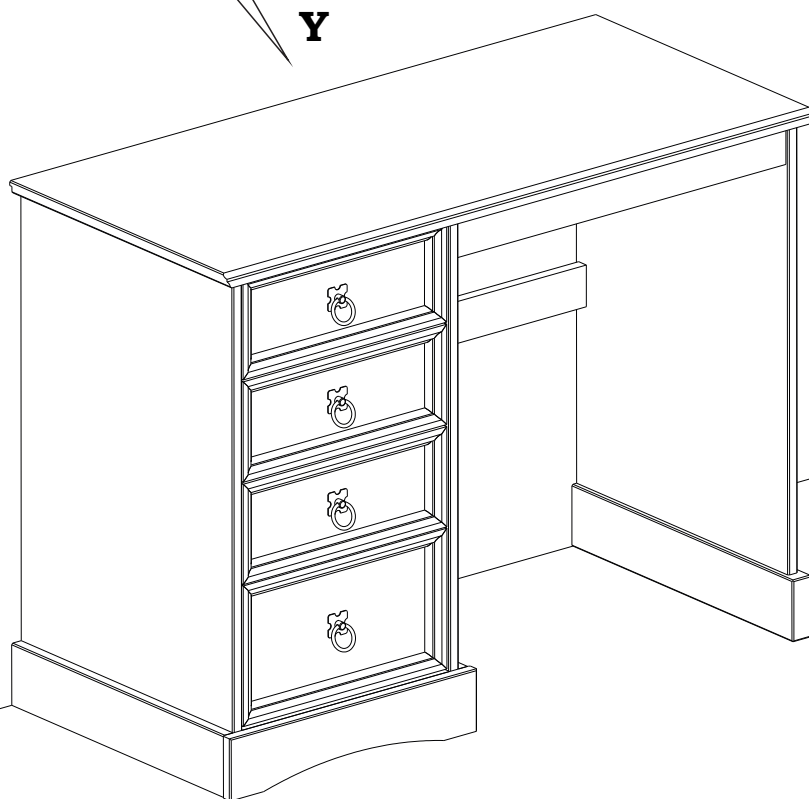
33



F		01x	G		01x
				3/16"x5/8"	

34



35**Y****01x****Y**

WARNING: CHECK FOR HIDDEN PIPES AND CABLES BEFORE DRILLING.

IMPORTANT: IF YOUR WALLS ARE NOT SOLID LIKE BRICK OR STONE, YOU WILL REQUIRE SPECIALIST FITTINGS (NOT SUPPLIED).

- Place fixing strip against the wall and mark position for drilling hole.
- Drill hole in your wall to a depth of 30mm using a 6mm drill bit. If the surface of your wall is soft and crumbly, we would advise you to use a 5mm drill bit for a tighter fit.
- Insert the wall plug into the hole with end flush to the wall surface.
- Attach fixing strip to the wall using the 25mm screw + washer and securely tighten.
- Pre-drill small pilot hole on the back edge of the furniture top using a 2mm drill bit. Attach the other end of fixing strip to the back edge of the furniture top using the 14mm screw + washer and securely tighten.