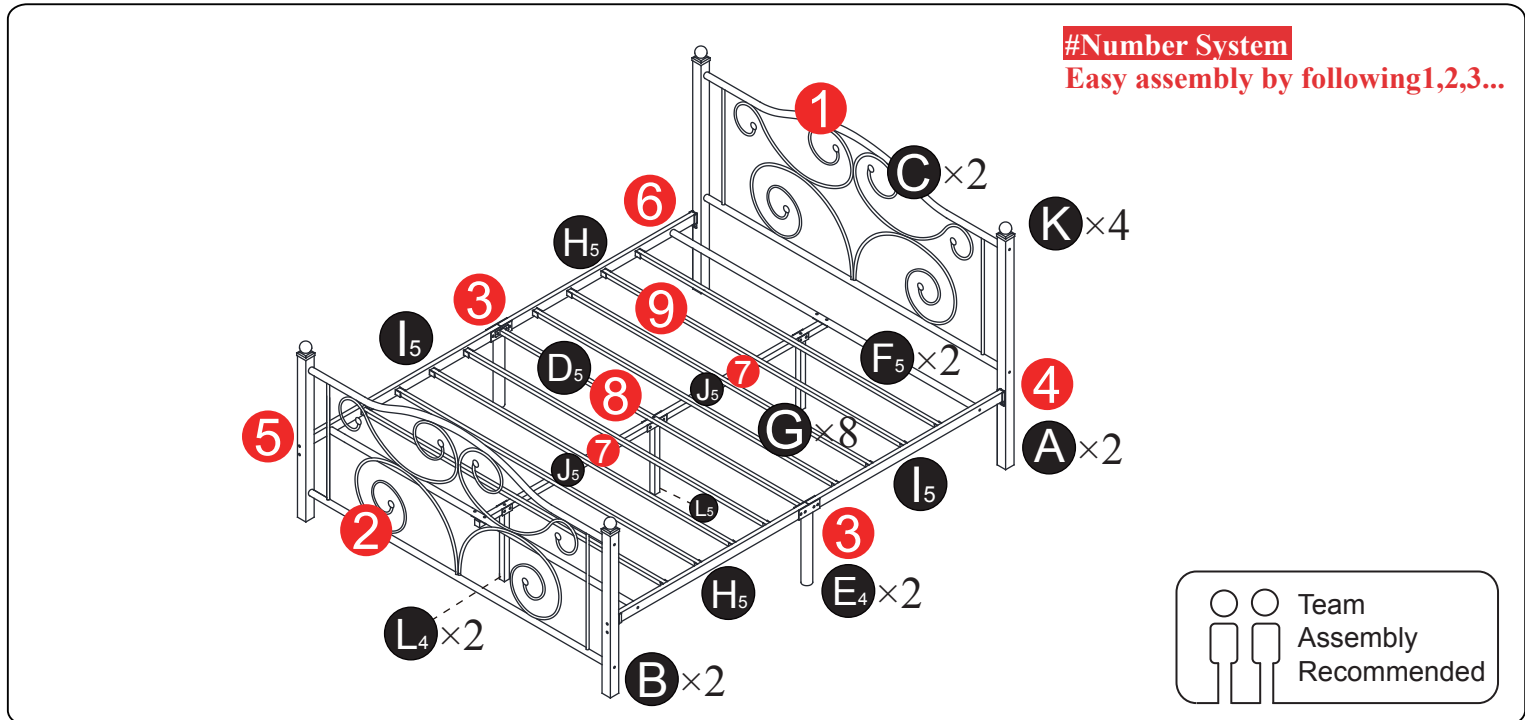


Bed Frame Installation Manual



Componets		Screws & Tools	
	A x2	①	M8x50mm x8
	B x2	②	M8x35mm x8
	C x2	③	M6x60mm x9
	D x1	④	M6x40mm x12
	E x2	⑤	M6x30mm x4
	F x2	⑥	M6x15mm x4
	G x8	⑦	Ø x16
	H x2	⑧	M8 x12
	I x2	⑨	M6 x10
	J x2	⑩	M5 x1
	K x4	⑪	M13/M10 x1
	L4 x2		
	L5 x1		

Check all the components & screws before assembly. Do not install in case part is missing, contact us to get. Send email with your question to support@vecelo.com. We will resend within 24 hours.

1 Headboard assembly

Note: In this step, do not tighten screw ③

Holes should be outside

2 Footboard assembly

Note: In this step, do not tighten screw ③

Holes should be outside

3 Connect **E₄** to **H₅** & **I₅**

	2x4		6x4
			8x4

4 Connect **H₅** & **I₅** to headboard

	1x4
	7x4
	8x2

5 Connect **H₅** & **I₅** to footboard

	1x4
	7x4
	8x2

6 Connect **F₅** to **H₅** & **I₅**

Note: Part **F₅** with screw holes

	4x4
--	-----

Note: In this step, please do not tighten the screws(4) up

7 Connect **J₅** to **F₅** & **L₅** to **J₅**

	4x2		5x4
			9x6

8 Connect **L₄** to **J₅** & **D₅** to **E₄** **L₅**

	2x4		3x1
	4x6		8x4
			9x4

9 Assemble bed slats

Note: If the bed slats can not be inserted easily, loosen the screws (step 6)

10 Check and tighten all screws

CAUTIONS!

Lift first Move second

Push Or Pull