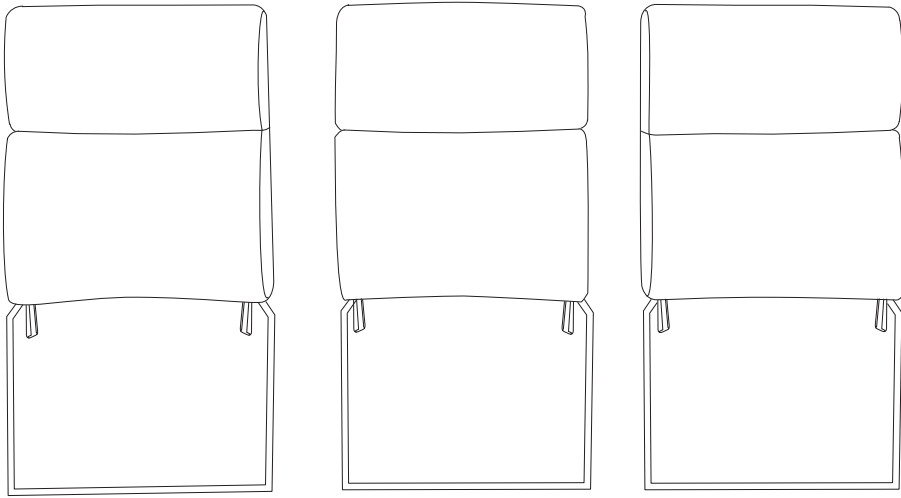


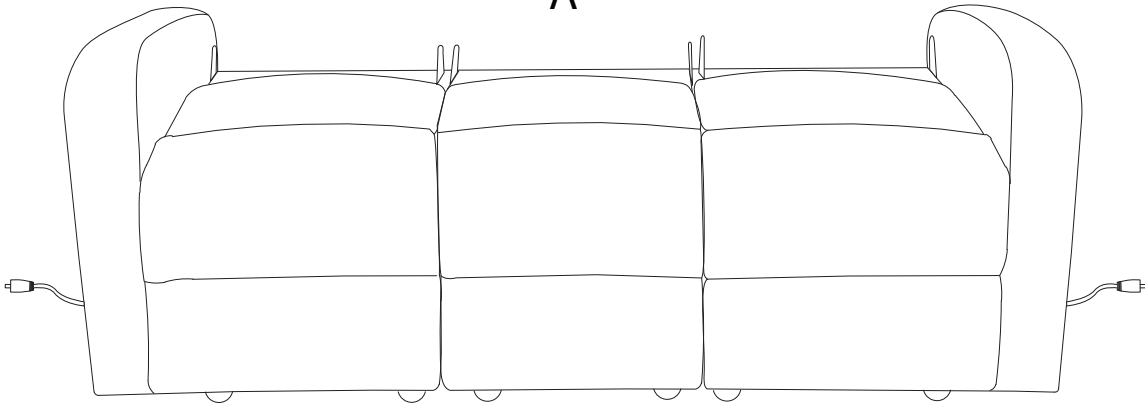
Diagram illustrating assembly instructions and warnings:

- Warning 1:** A crossed-out power drill icon indicates that a power drill should not be used for assembly.
- Warning 2:** A crossed-out icon of a block being drilled from the bottom indicates that drilling should not be performed from the underside.
- Time:** A clock icon with the text "20'" below it, indicating an estimated assembly time of 20 minutes.
- Personnel:** An icon of a person with the number "2" below it, indicating that two people are required for assembly.

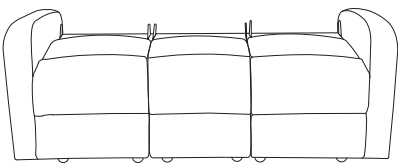
B x 3



A

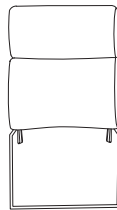


A



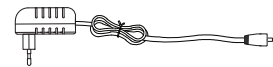
x 1

B



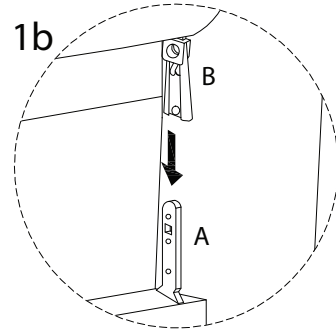
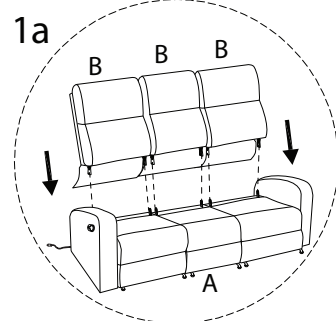
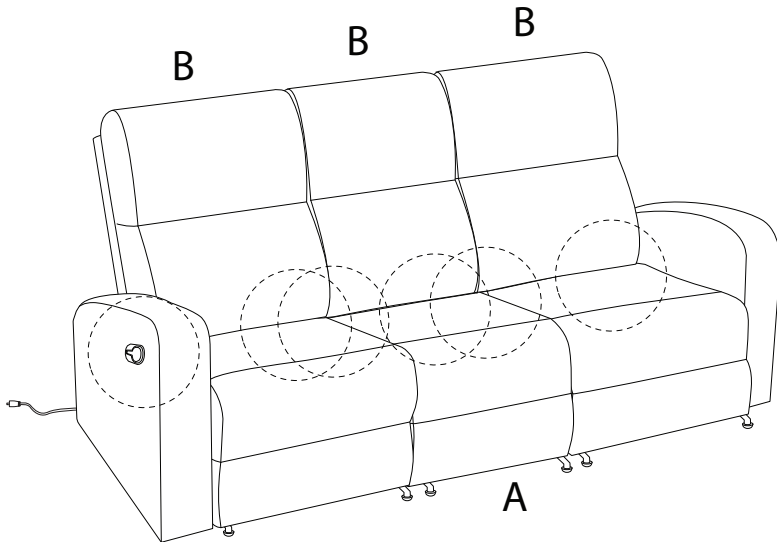
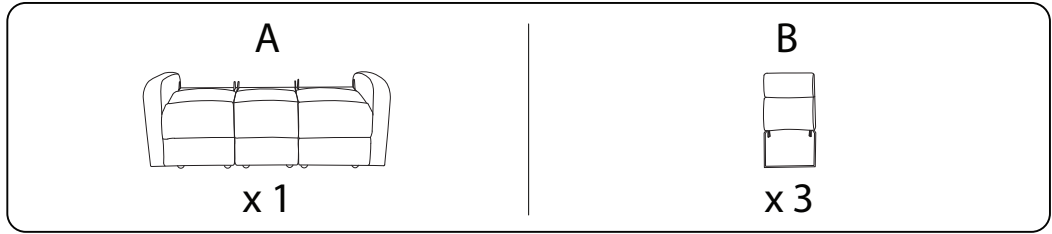
x 3

C

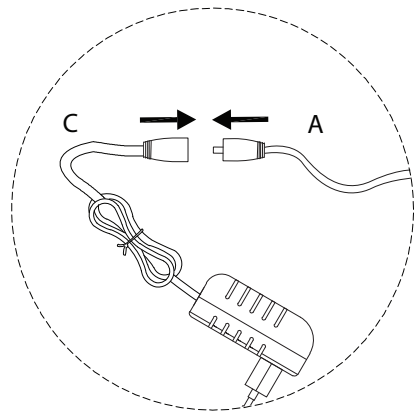
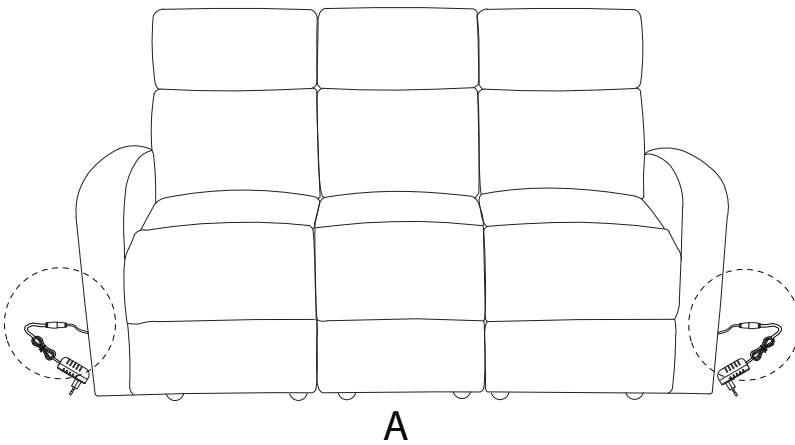
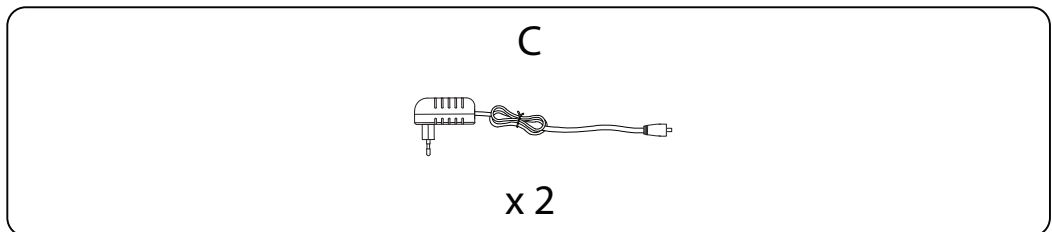


x 2

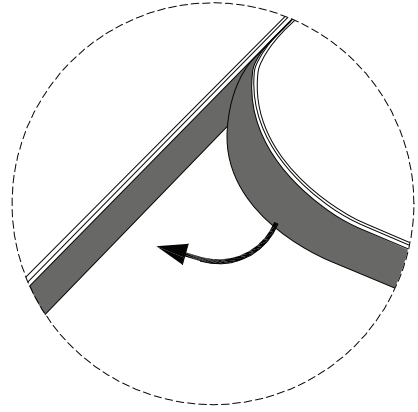
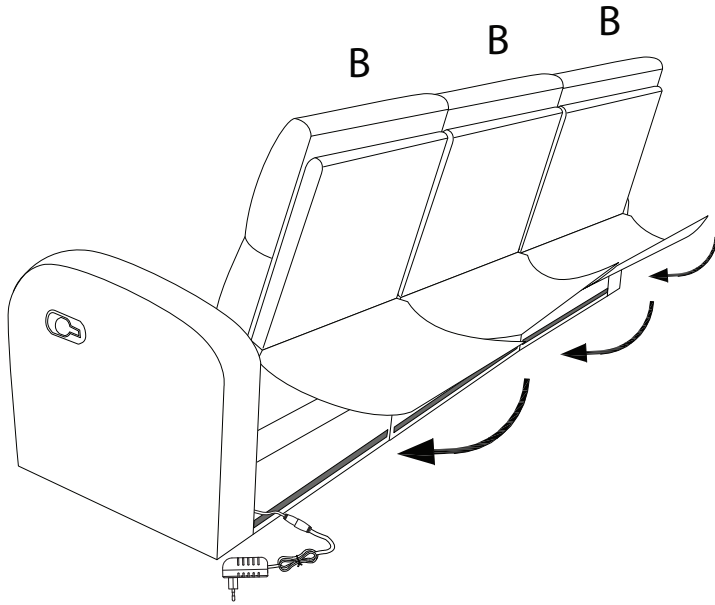
1



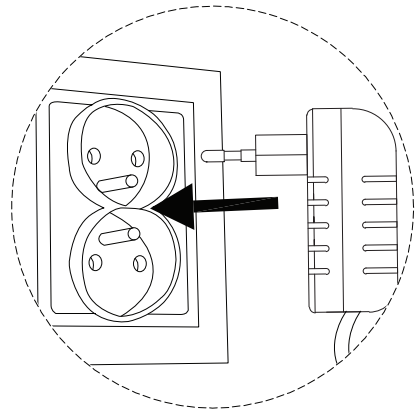
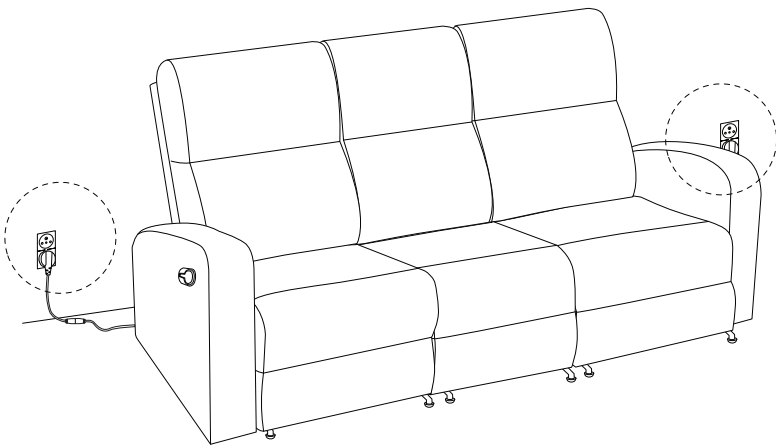
2



3



!



!

