

Drawer Storage Tower Instruction Manual



General Guidelines

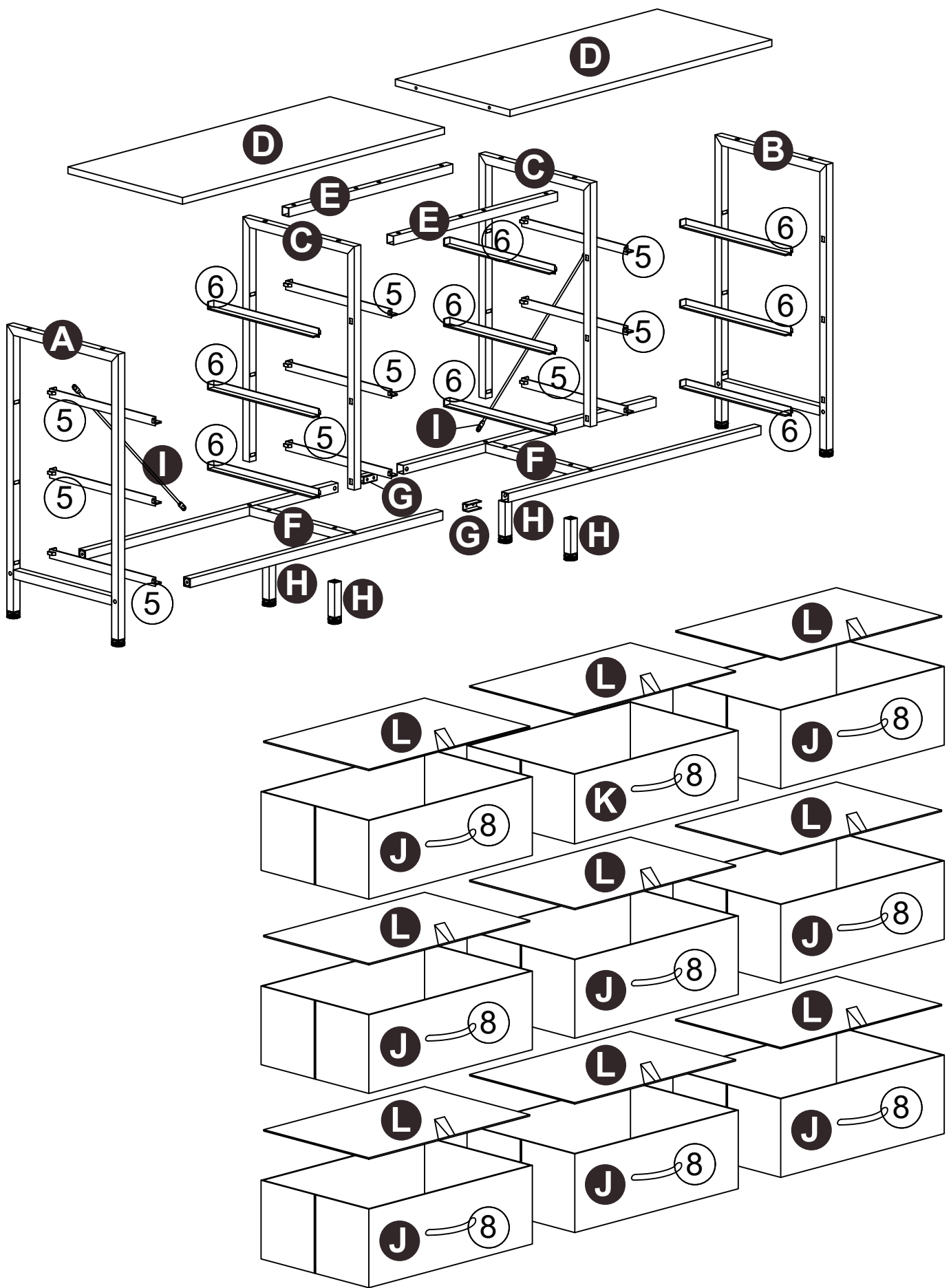
- Please read the following instructions carefully and use the product accordingly.
- Please keep this manual and hand it over when you transfer the product.
- This summary may not include every detail for all variations and assembly steps.
- Please contact our after-sales service for additional information or assistance if needed.

Notes

- This product is intended for indoor use only. It must be assembled and used strictly according to the instruction manual.
- Do not use the product for unintended purposes or modify it from its original design.
- Improper use or modifications may lead to injury or damage.
- Avoid long-term exposure to humid environments to prevent mildew.
- Keep the product away from fire sources and high temperatures. Do not expose it to direct sunlight.
- Do not place hot objects directly on the surface of the product.
- If any parts are missing or defective after unpacking, stop assembly immediately and contact our after-sales service.
- Assemble the product on a clean, flat, and spacious surface. Do not place unwrapped components directly on the ground, as this may cause damage.
- Do not stand or sit on the wooden panels.
- Wear gloves during assembly and disassembly to avoid scratches from sharp edges.
- Match each component to the part number listed in the manual.
- If a part does not match, confirm its specifications in the manual.
- During assembly, first loosely insert all screws into the pre-drilled holes, then gradually tighten them one by one.
- Periodically inspect the tightness of screws during use. Retighten if necessary to maintain structural integrity.
- If liquids are spilled on the product, wipe it dry immediately with a clean towel.
- Keep the product away from sharp or pointed objects and corrosive substances to avoid damage.
- Place the product on flat and solid ground during use.

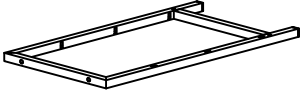
Warnings

- Keep children away during assembly. Small parts included in the package may pose a choking hazard if swallowed or inhaled.
- Children must not climb or stand on the product to avoid injury from tipping.
- To prevent suffocation, keep all packaging materials (such as film, plastic bags, foam, etc.) away from infants and children.
- Always secure the product to the wall using the included anti-tipping kit to prevent tipping and injury.

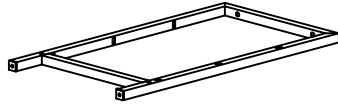


1 Components List

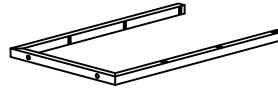
A X1



B X1



C X2



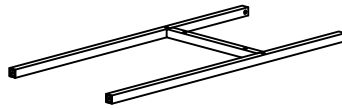
D X2



E X2



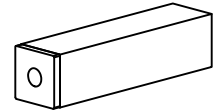
F X2



G X2



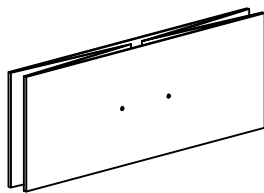
H X4



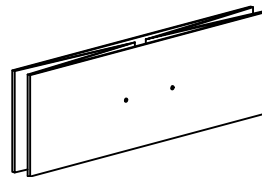
I X2



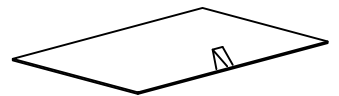
J X8



K X1



L X9



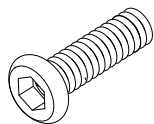
2 Hardware

① X2



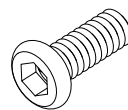
M6x30mm

② X20



M6x30mm

③ X16



M6x12mm

④ X8



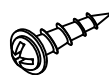
⑤ X9



⑥ X9



⑦ X18

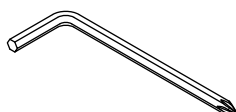


M4x10mm

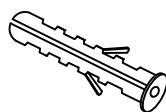
⑧ X9



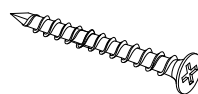
⑨ X1



⑩ X2



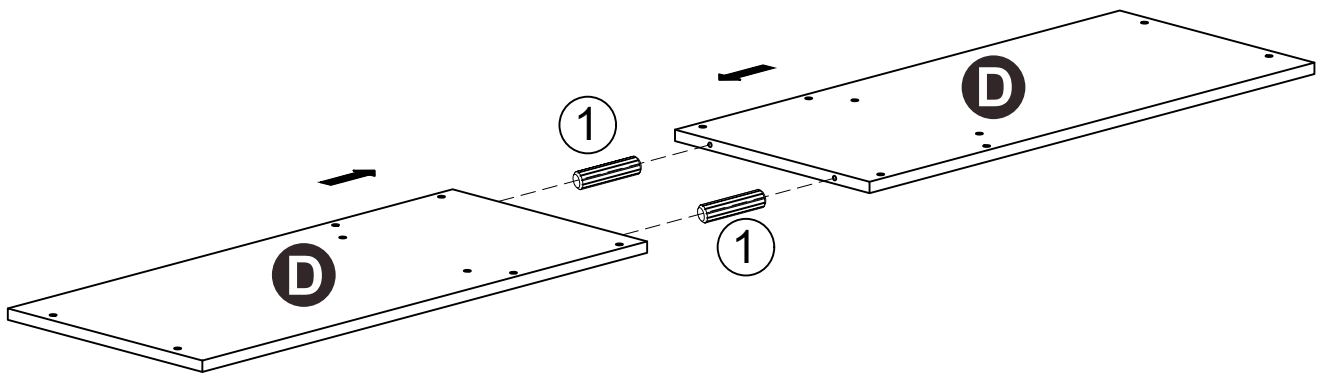
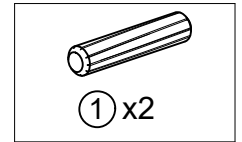
⑪ X2



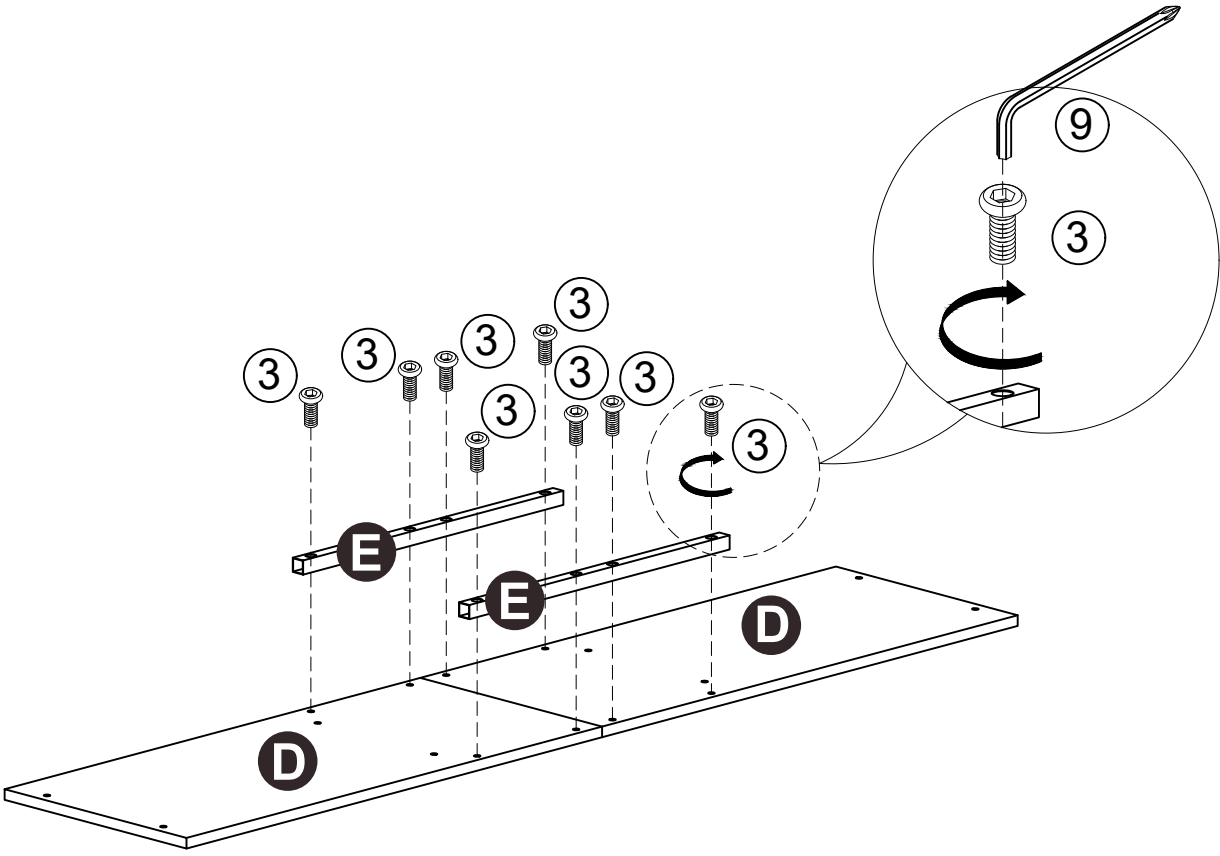
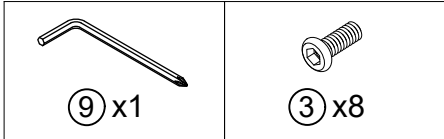
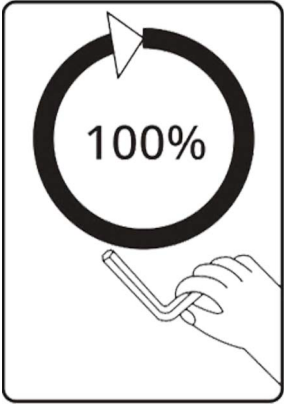
M4x35mm

3 Assembly Instruction

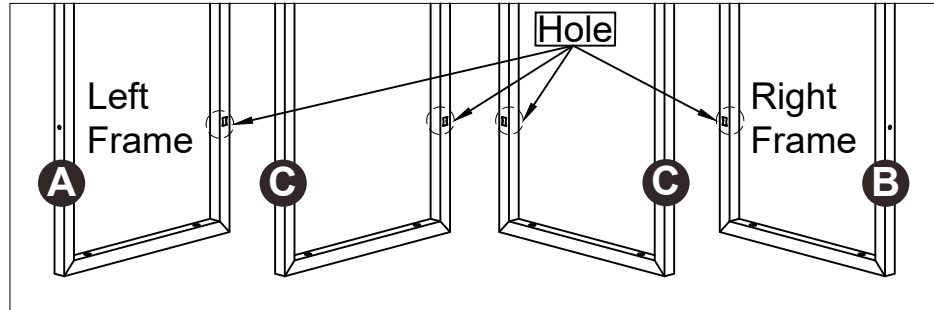
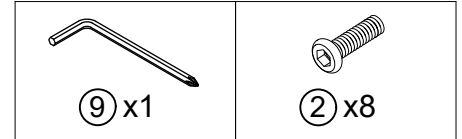
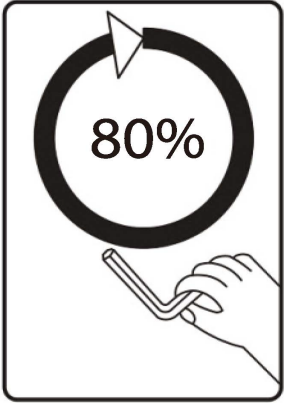
STEP 1



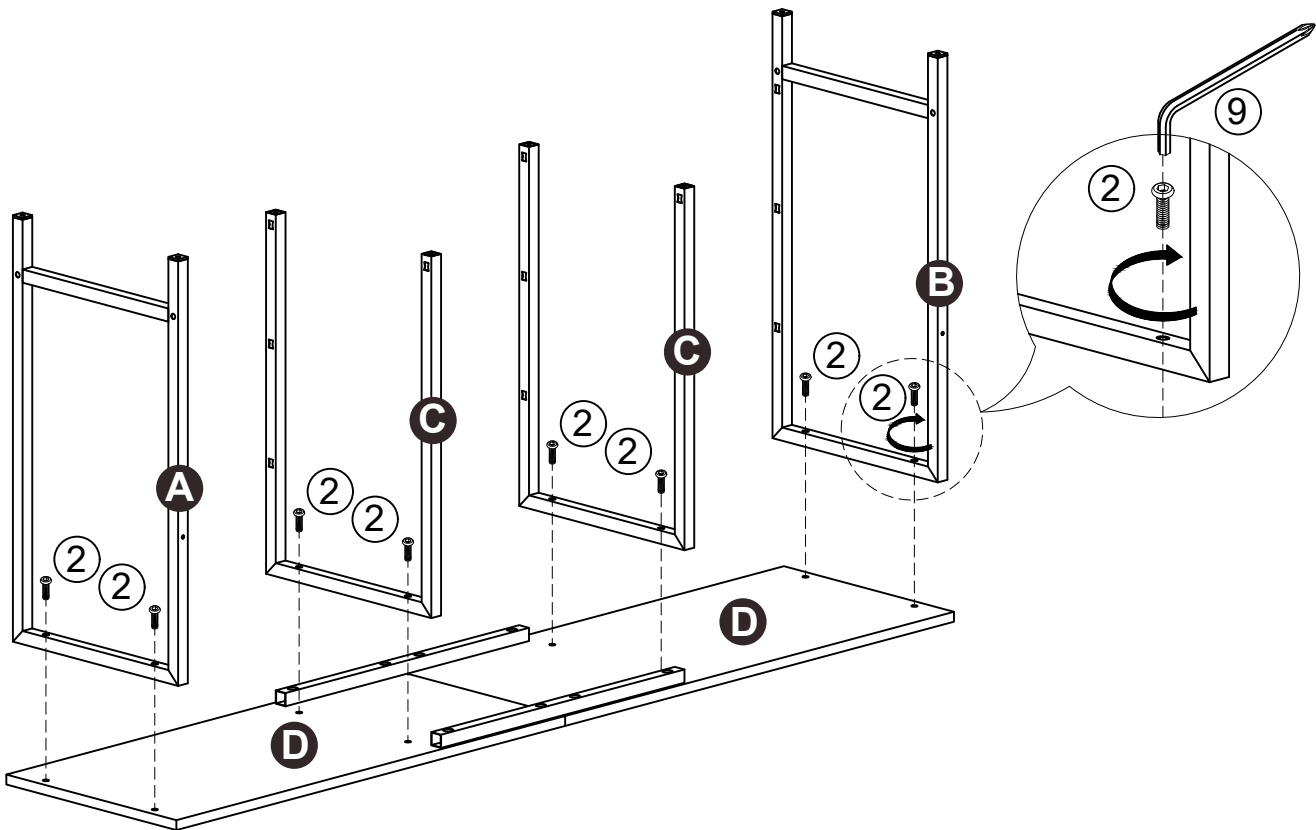
STEP 2



STEP 3

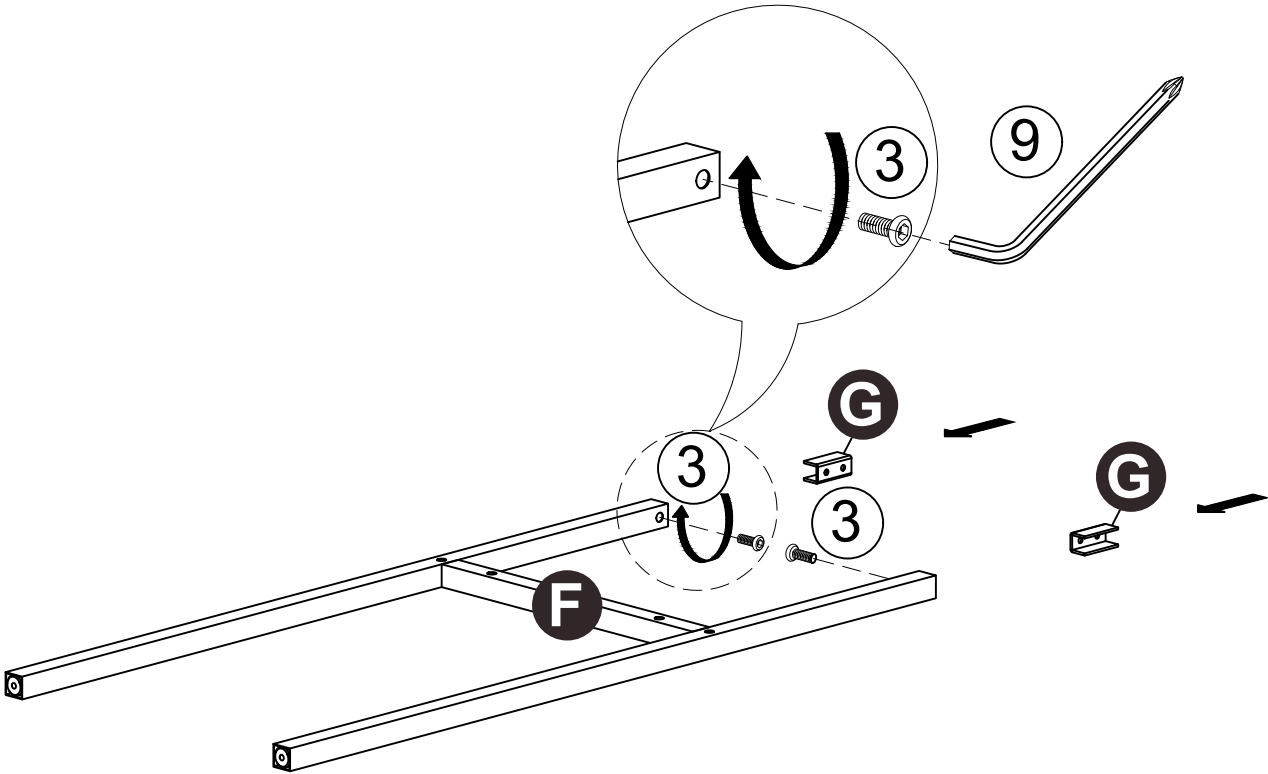
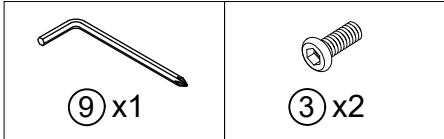
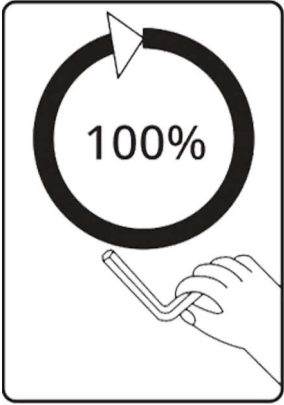


NOTE: The drawer hole on Left Frame **A**, Right Frame **B** and Frames **C** should face as illustrated in the diagram.



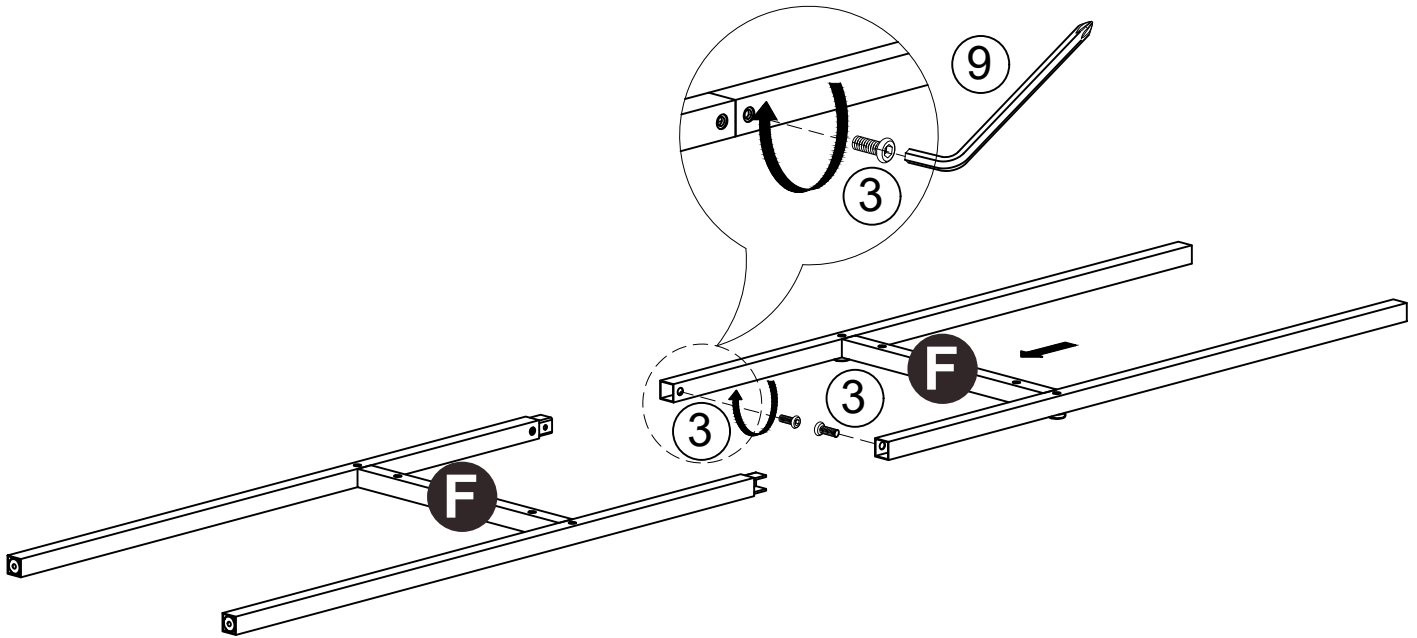
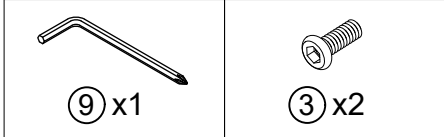
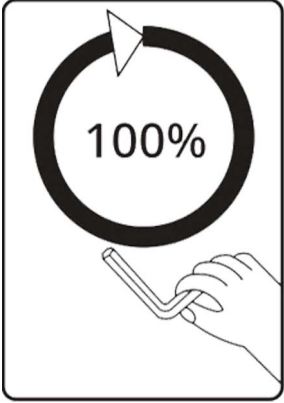
As shown, fix the Left and Right Frames **A** & **B** to both ends of Top Board **D** and fix Frames **C** to the middle of Top Board **D** with Screws **2**.

STEP 4

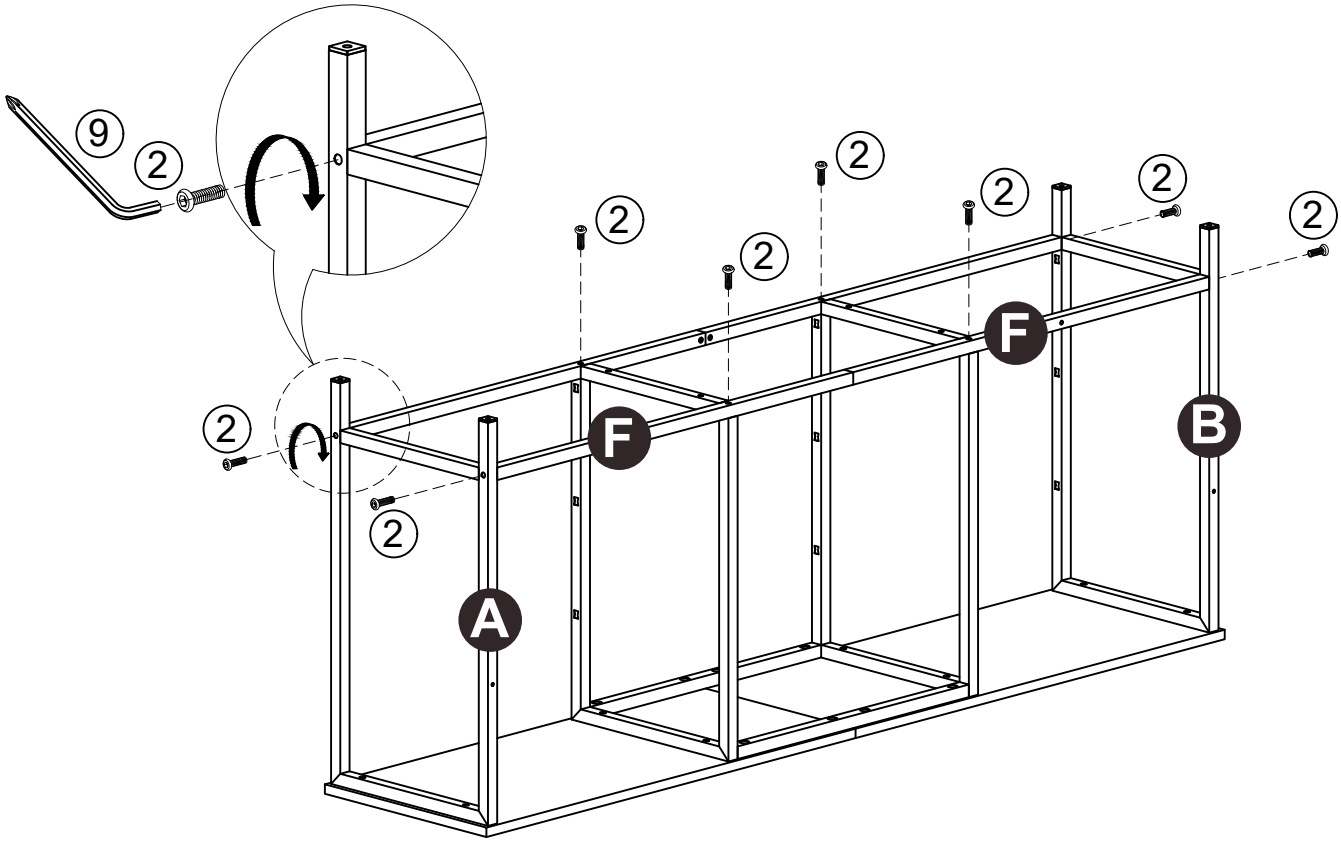
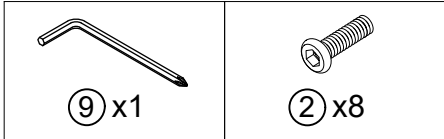
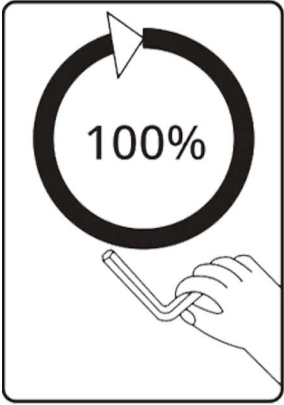


NOTE: The Screws ③ are installed into the holes on the left side of the Small Punched Channels ④.

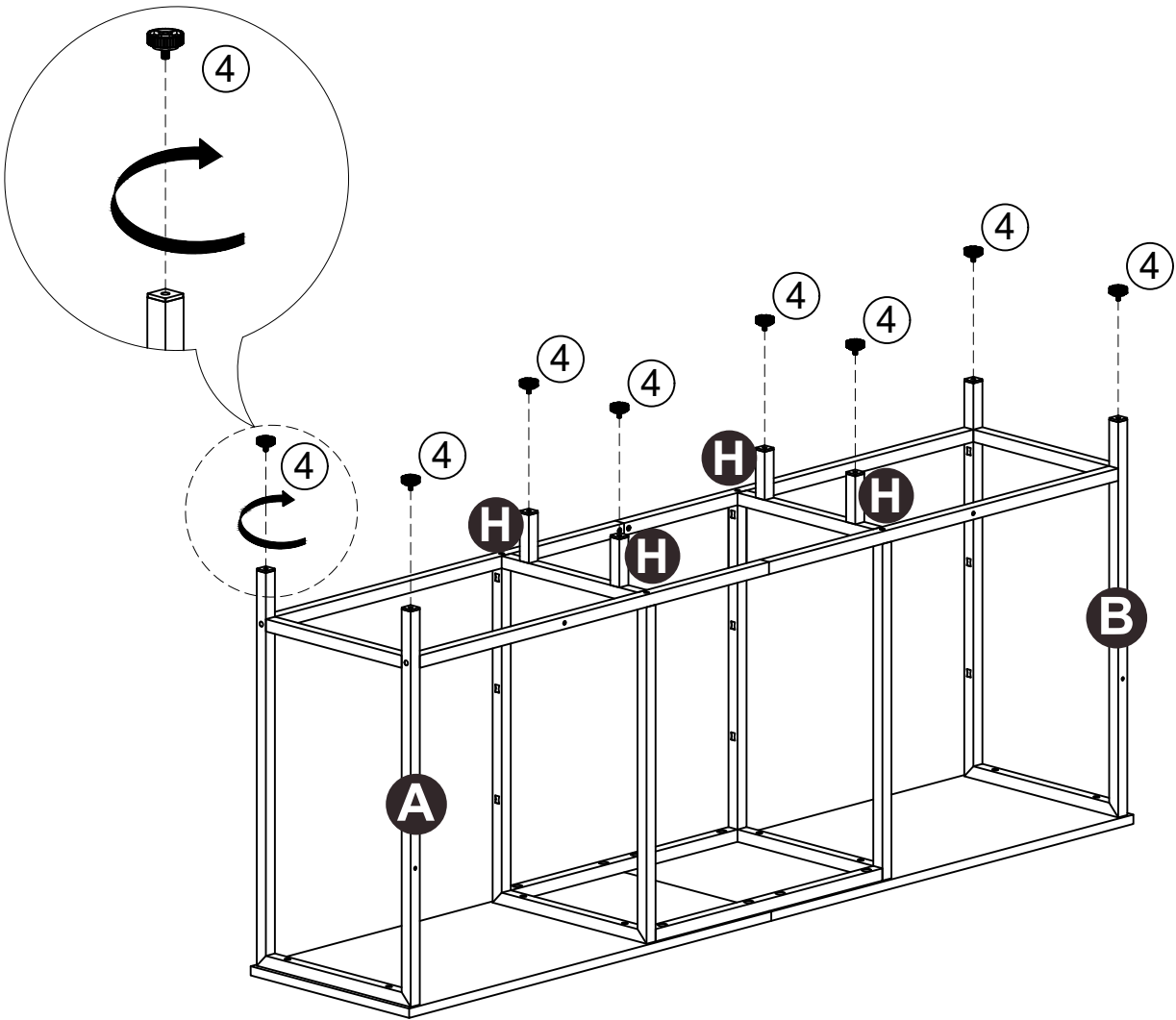
STEP 5



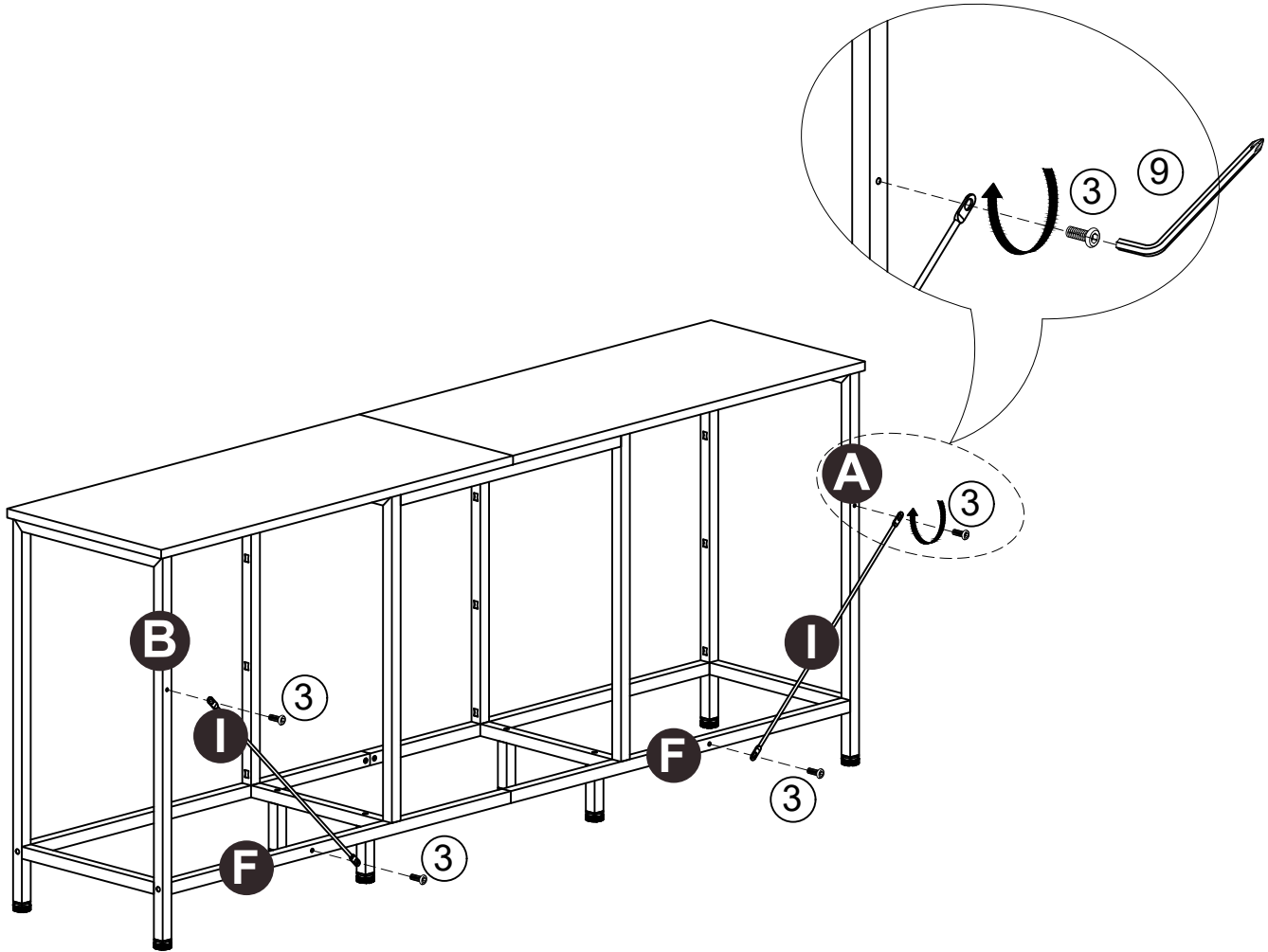
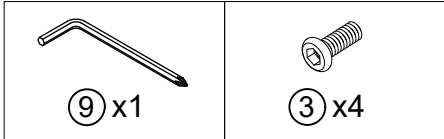
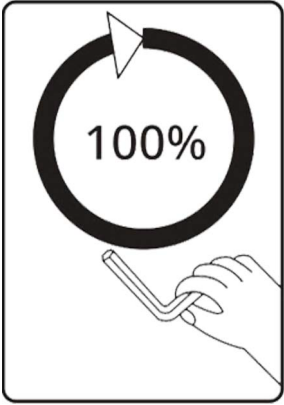
STEP 6



STEP 8



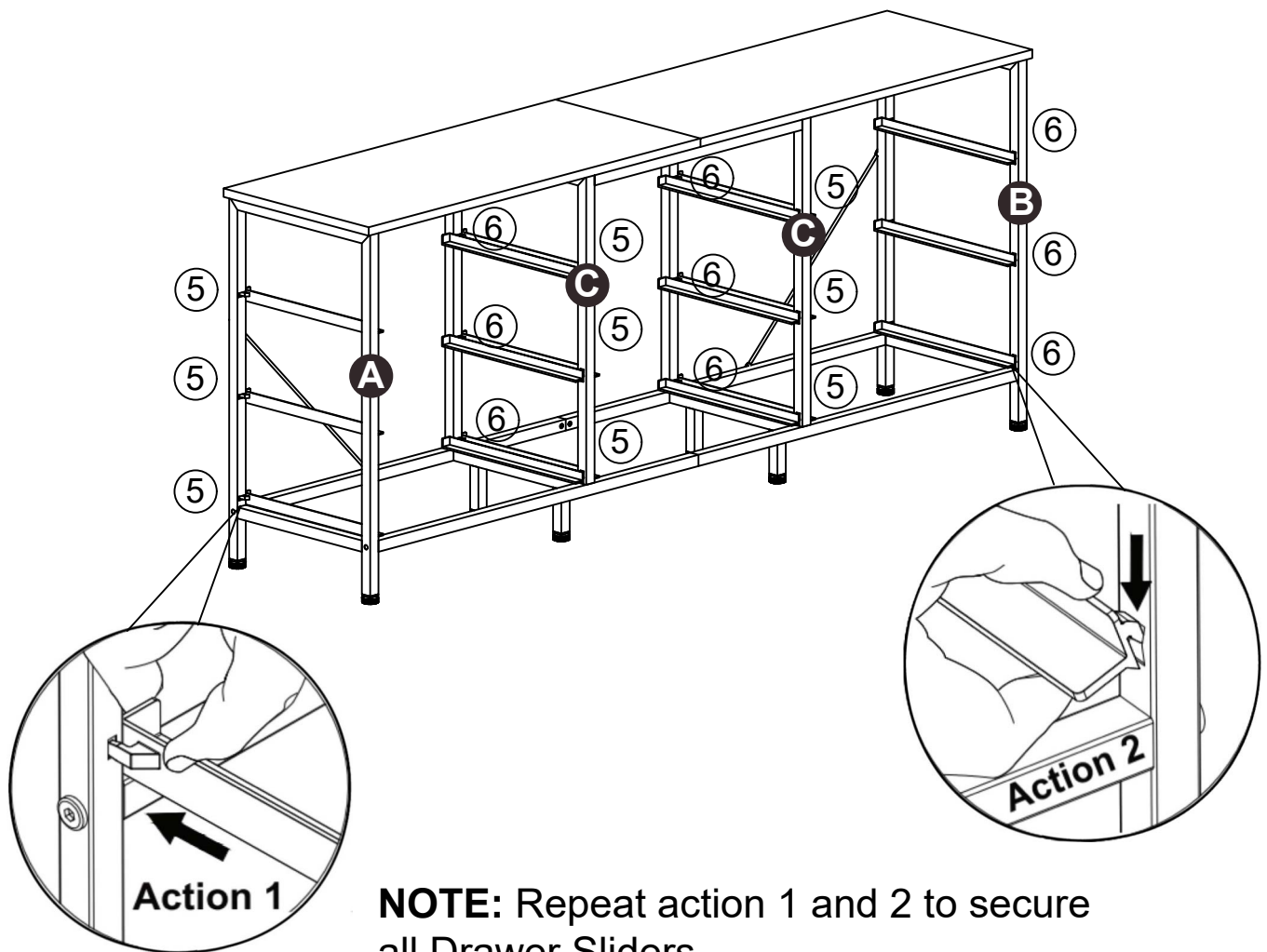
STEP 9



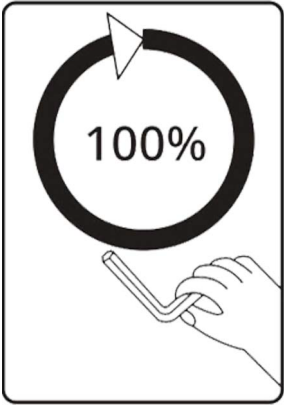
STEP 10

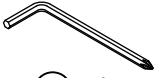




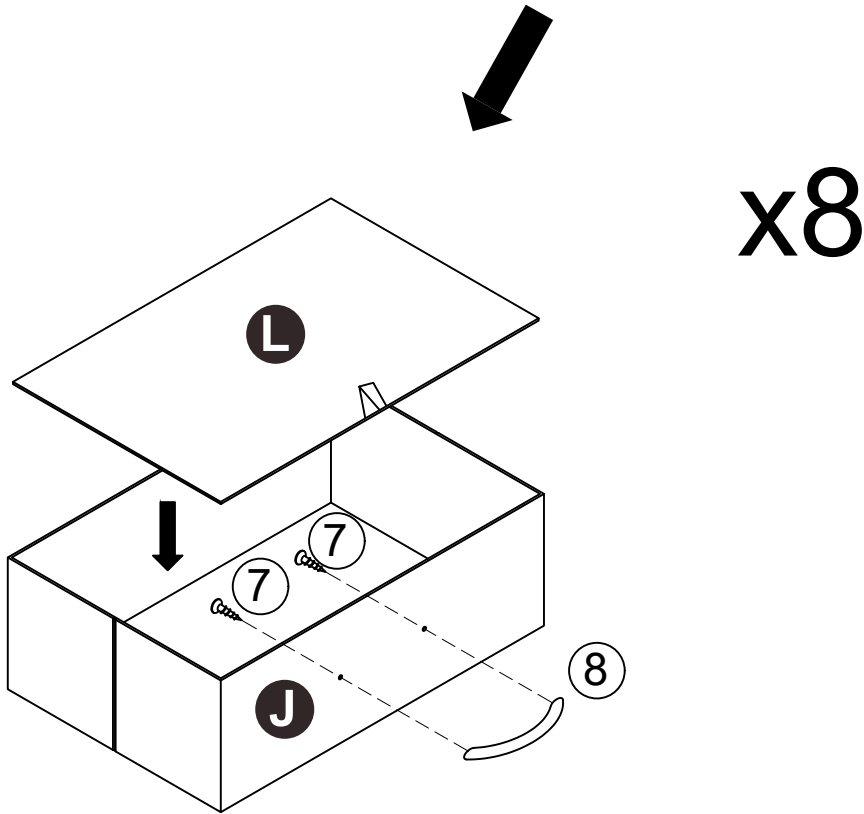
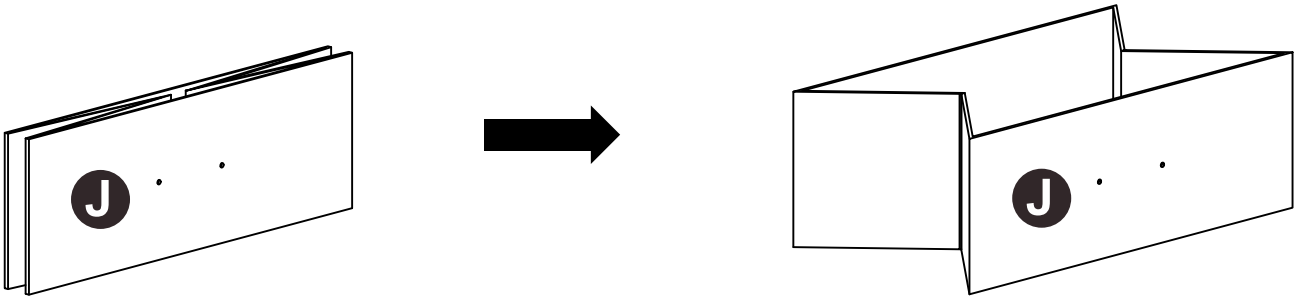
Tighten screws **AFTER** Drawer Sliders are assembled!



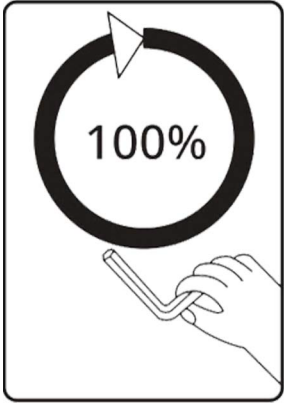
STEP 11



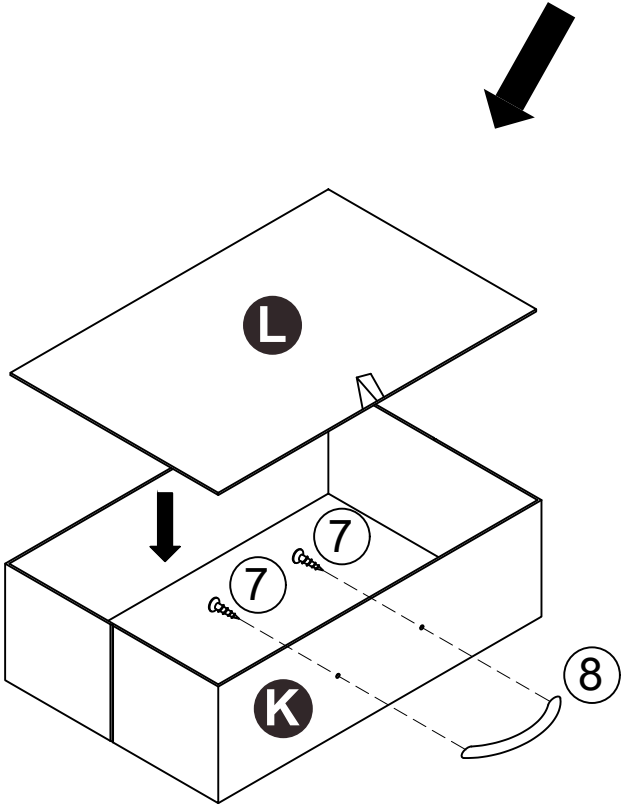
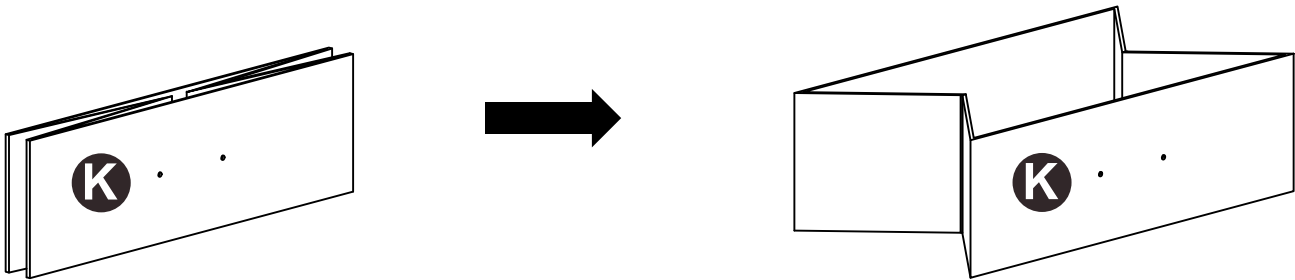
 ⑨ x1	 ⑦ x16	 ⑧ x8
--	--	---



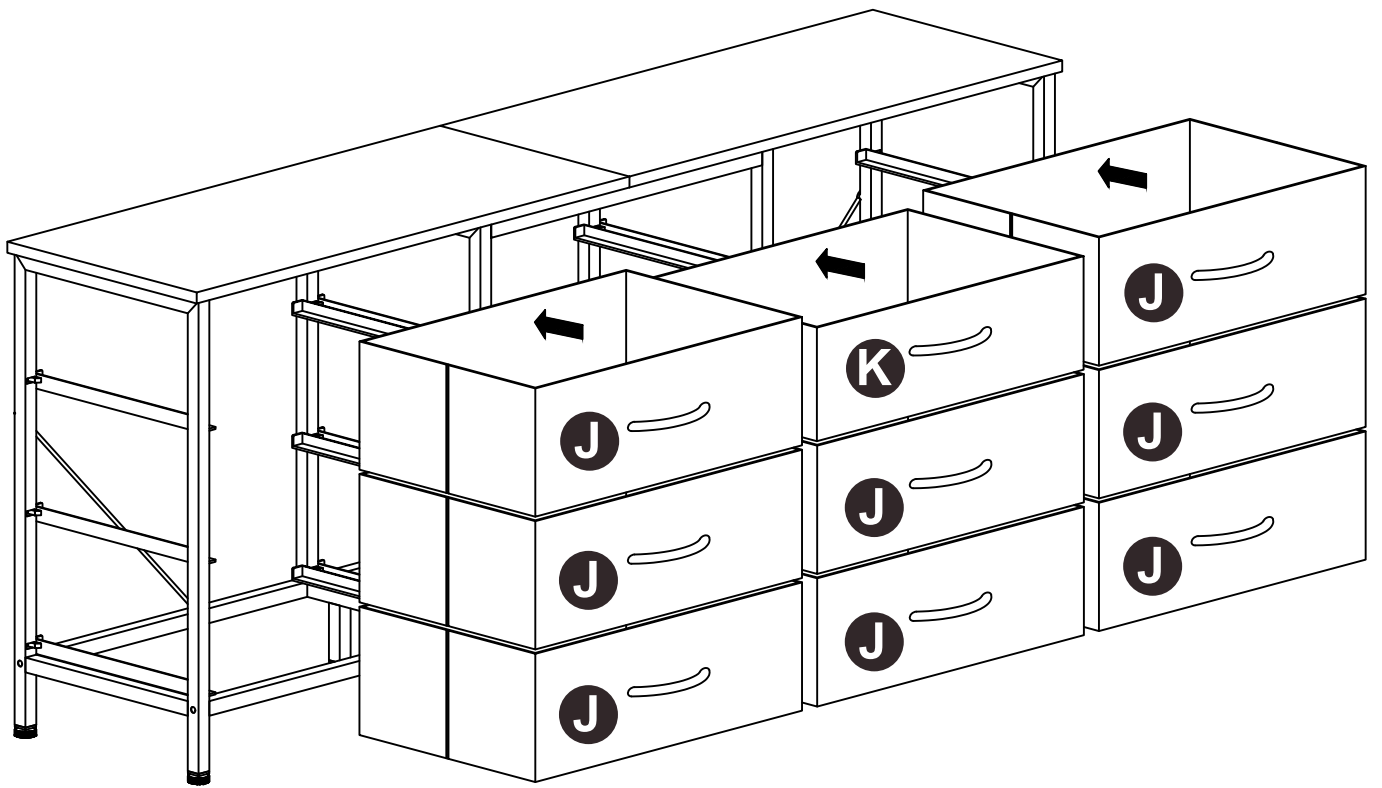
STEP 12



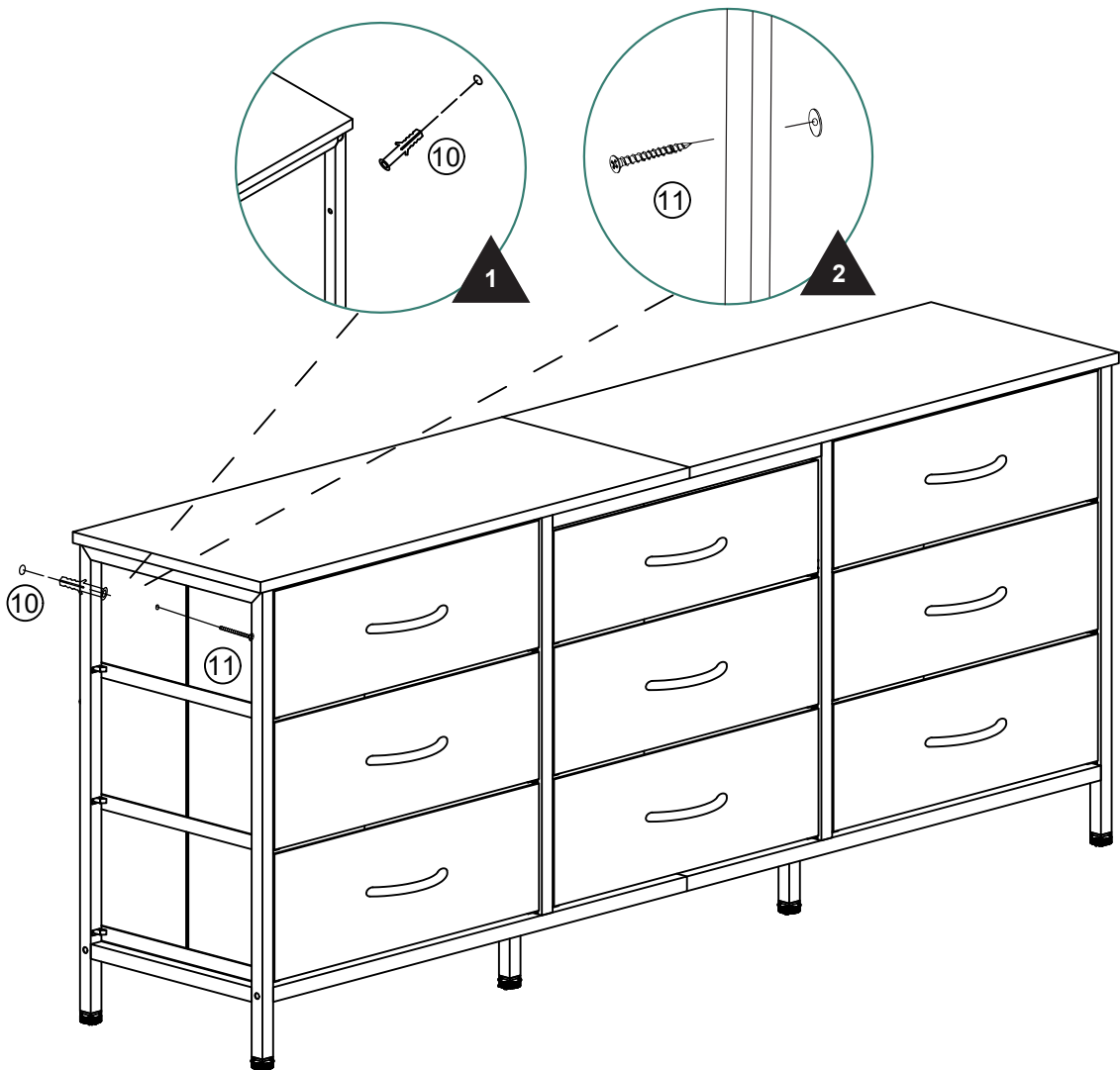
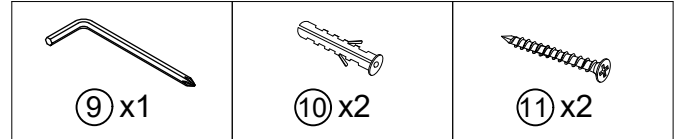
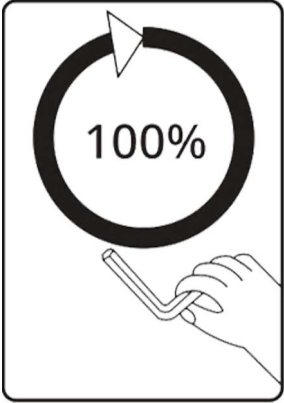
 ⑨ x1	 ⑦ x2	 ⑧ x1
--	---	---



STEP 13



STEP 14



Step 1: Mark the corresponding spot on the wall. Drill a hole into the wall at the marked location, and insert the Wall Anchor ⑩.

Step 2: Insert Screw ⑪ directly into the Wall Anchor ⑩ and tighten firmly. And repeat the two steps on the other side.

STEP 15

