



## **Warnings and Cautions**

*Please retain this instruction for future usage and read carefully before assembly.*

*Make sure you have all the parts & hardware as item list shows.*

**2 adults or more** are recommended to install your metal awning.

*Do not discard any of the packaging until you have checked that you have all the parts and pack of fittings.*

*Check all bolts for tightness before use, and periodically check and tighten bolts ensure your metal awning works properly.*

*Some parts might have sharp edges/corners. Please follow basic safety precautions to reduce the risk of hurts.*

*If you have questions or concerns.*

*Please contact us via email at **service@domioutdoorliving.com***



**40'X36'**

SKU: LGCF1782

Metal Awning

**Assembly Manual**

**T**hank you for your purchase of

*Domi outdoor living's Awning*

Read and follow this assembly and operation guide.

To reduce personal injury and damage to your *Awning*

We recommend a **two-person team** for assembly and disassembly.

If you like our products, please tell other customers

If you have prbblem with our products, please tell us

**Please feel free to contact us.**

DOMI OUTDOOR LIVING

**domi**  
outdoor living

## Pre-assembly

### TOOLS THAT MAY BE REQUIRED (Not included in boxes)

\*NOTE: Tools / equipment are not shown to actual size and scale.



LEVEL



RUBBER MALLET



PHILLIPS SCREW



DRILL



ALLEN KEY



ALLEN KEY



HOME-USE HEAVY-DUTY WRENCH

### EQUIPMENT REQUIRED (Not included in boxes)

\*NOTE: Equipment are not shown to actual size and scale.



SAFETY HAT



GLOVES



SAFETY GOGGLES



STEPLADDER

### Matters needing attention



1. Two or more people are required for assembly.



2. Do not fully tighten screws prior to complete assembly.

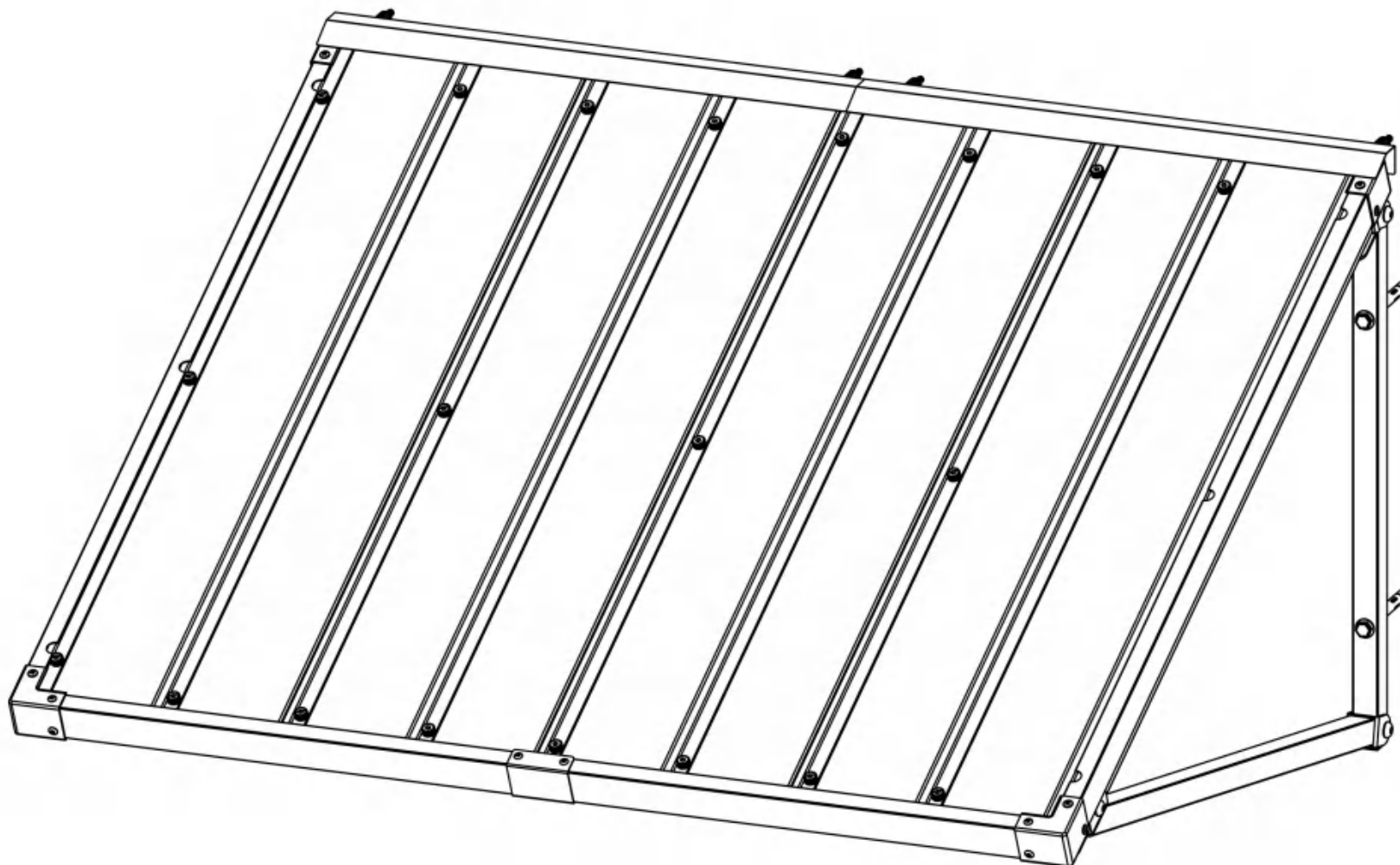
## IMPORTANT

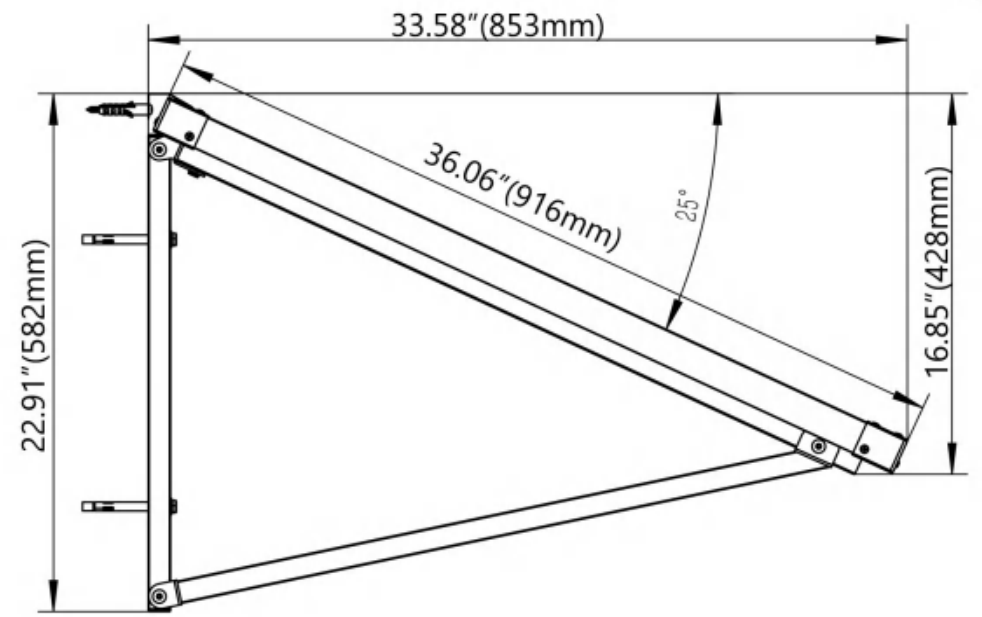
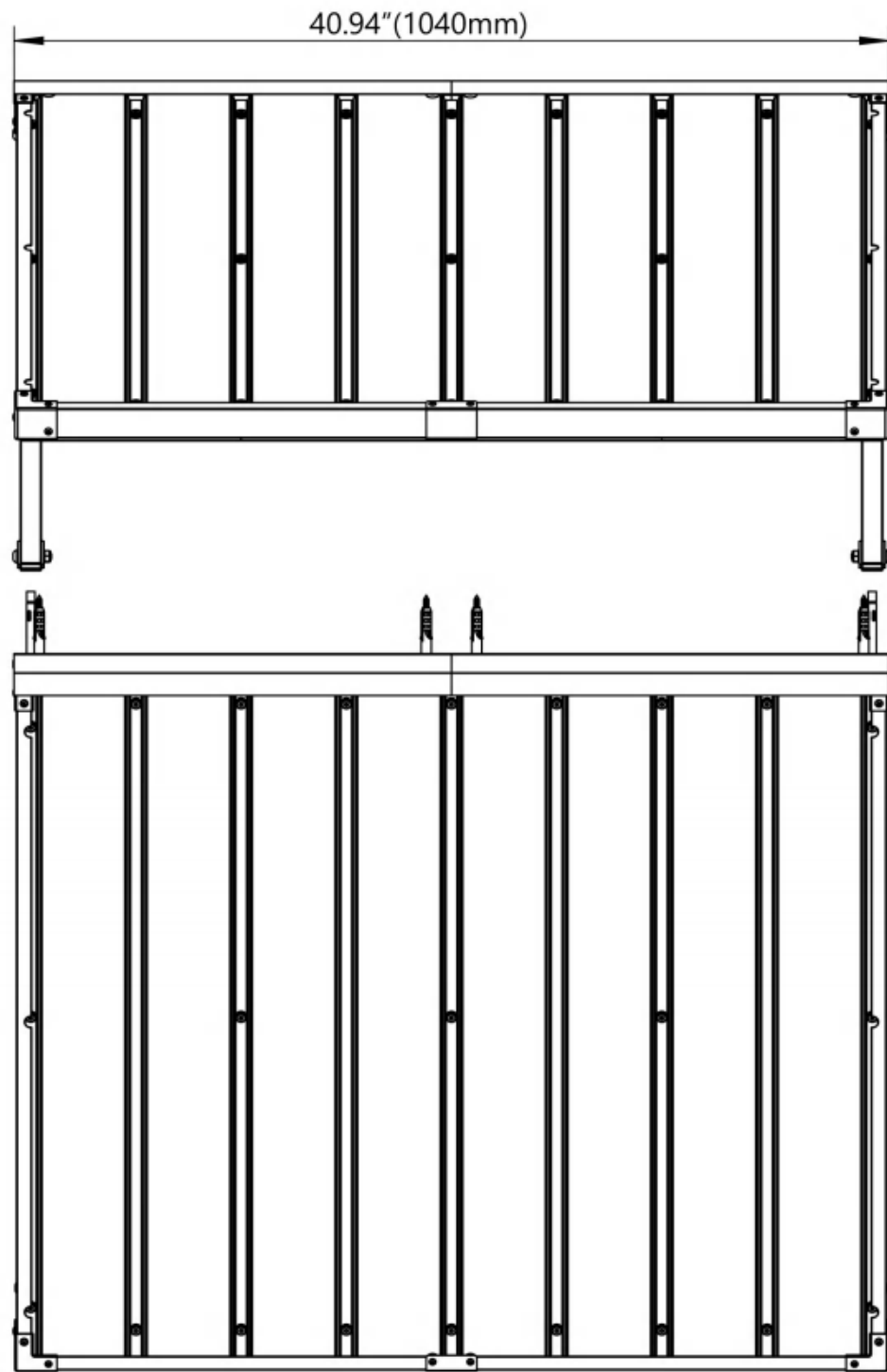
The construction of a gazebo may require a municipal permit or be subject to specific building codes. It is the responsibility of the consumer to check and ensure compliance with any local regulations or restrictions before proceeding with assembly.

LGCF1782



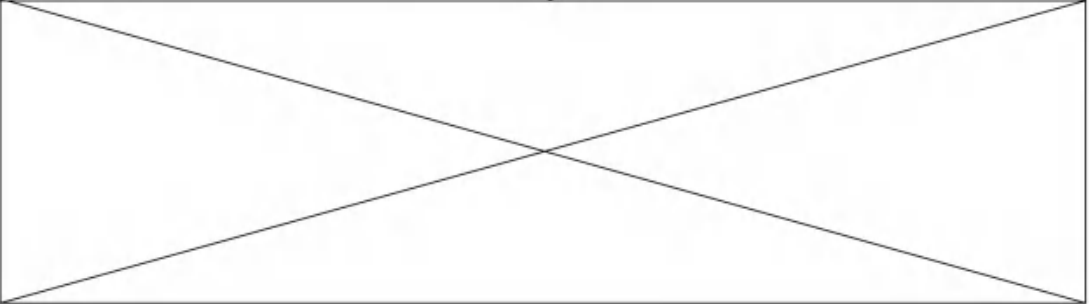
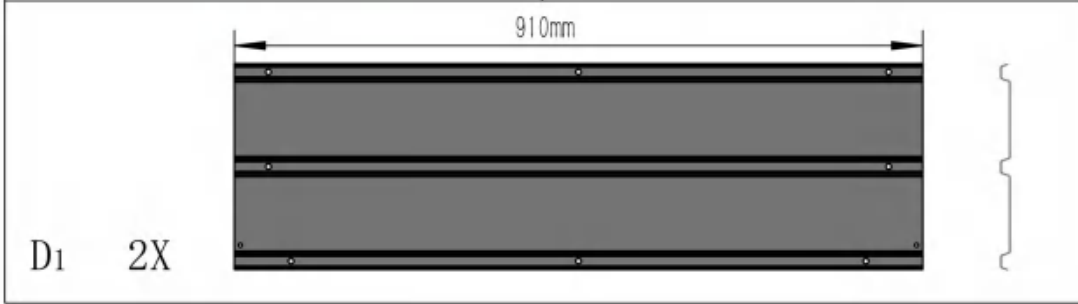
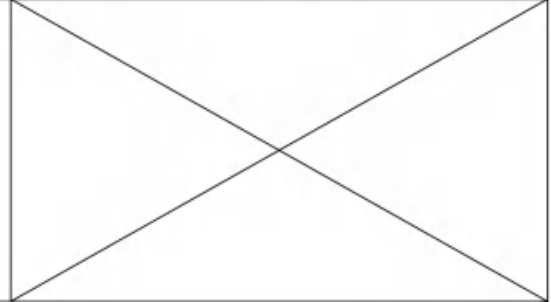
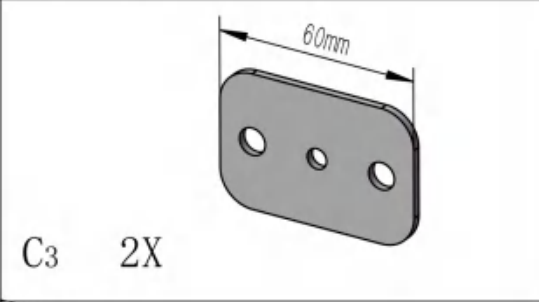
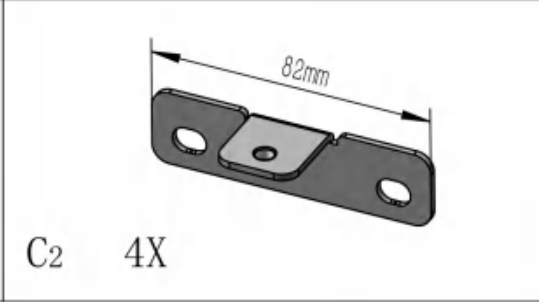
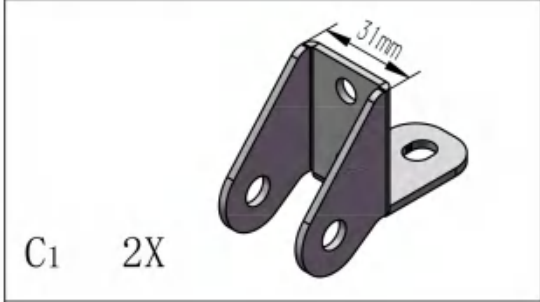
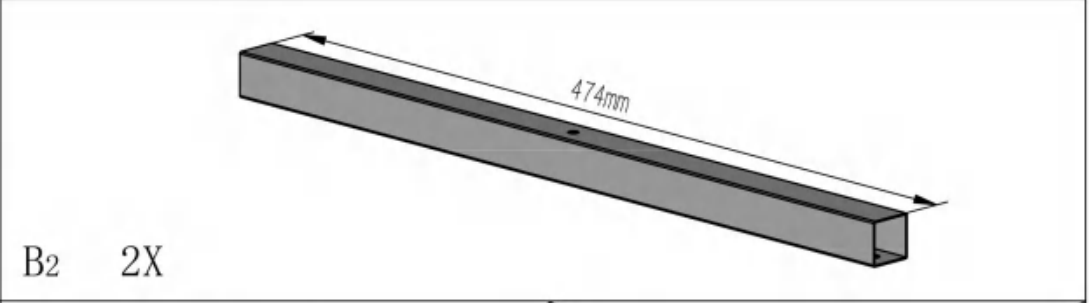
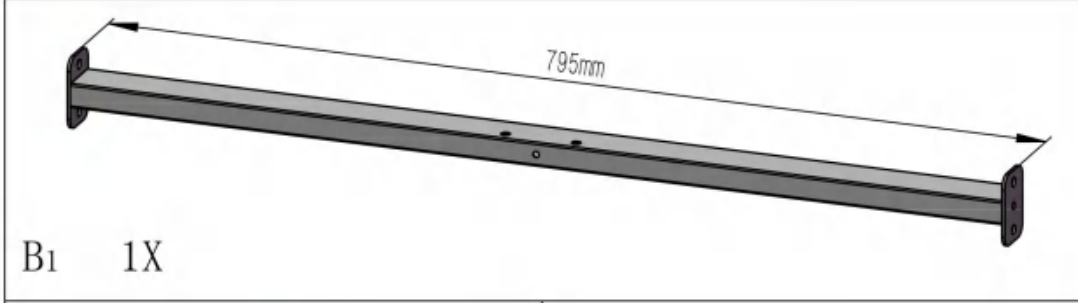
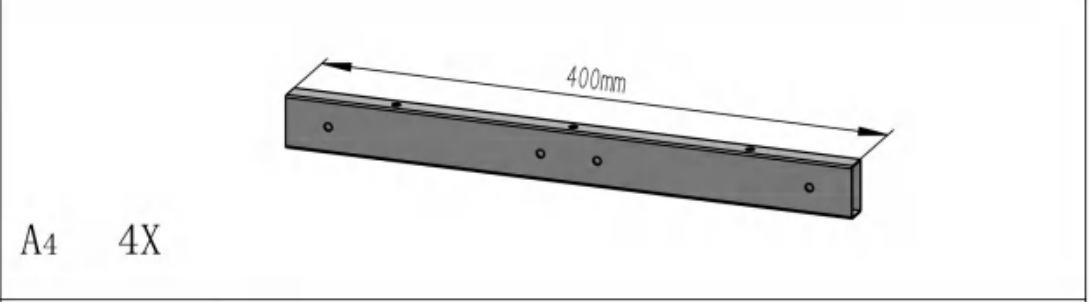
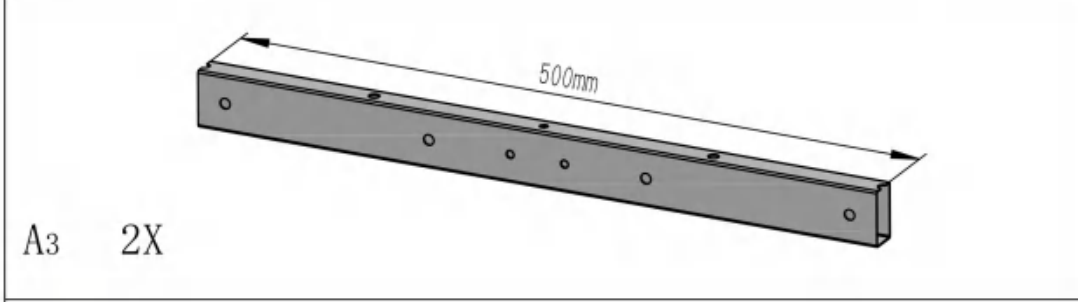
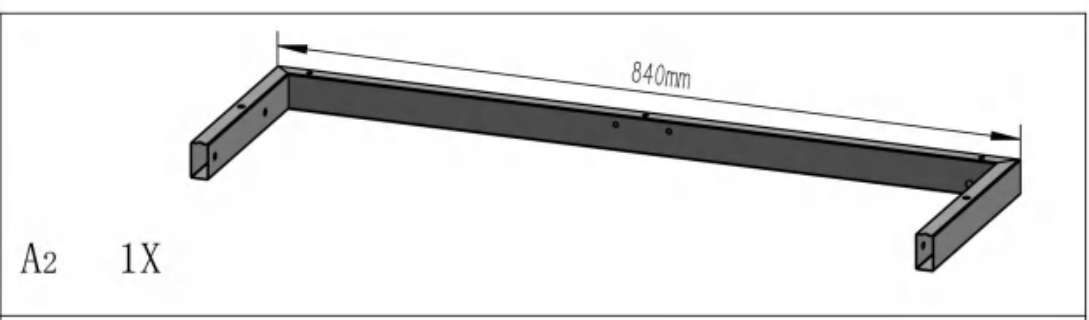
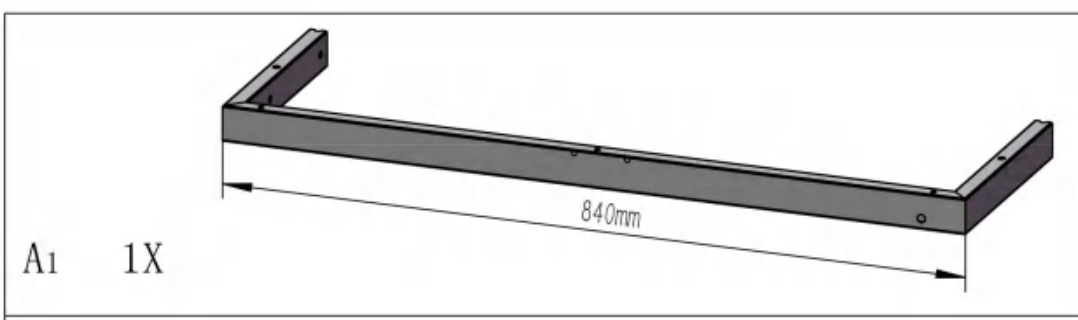
LGCF1782



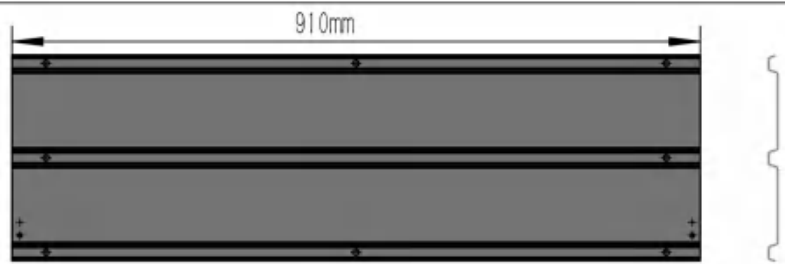




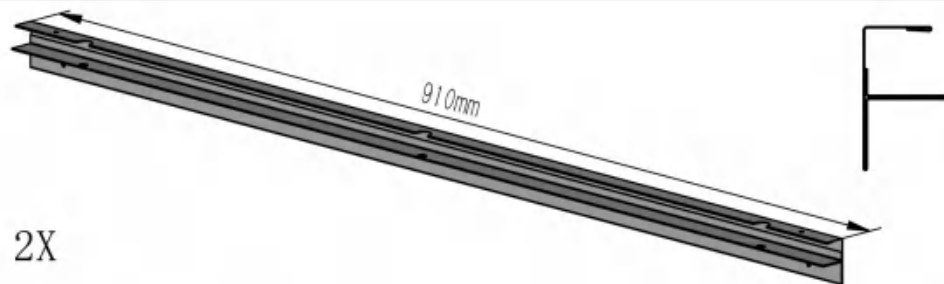
Note: This diagram shows the mounting hole dimensions for the wall expansion anchor bolts. Alternatively, after assembly, position the product against the wall to mark the mounting hole locations before drilling.



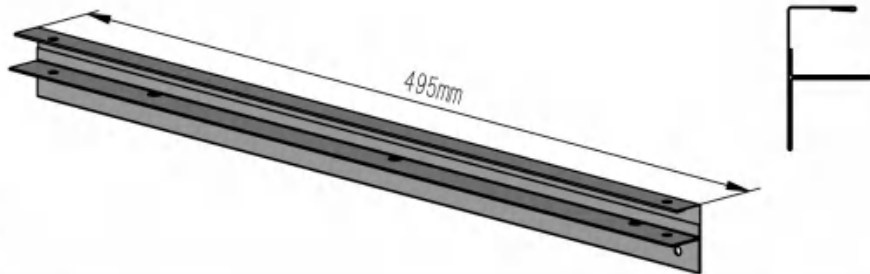
D3 2X



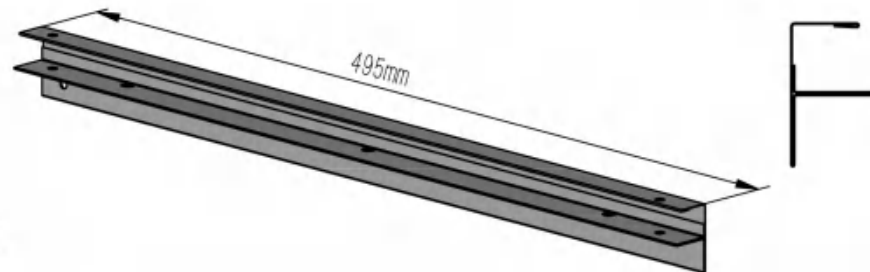
E1 2X



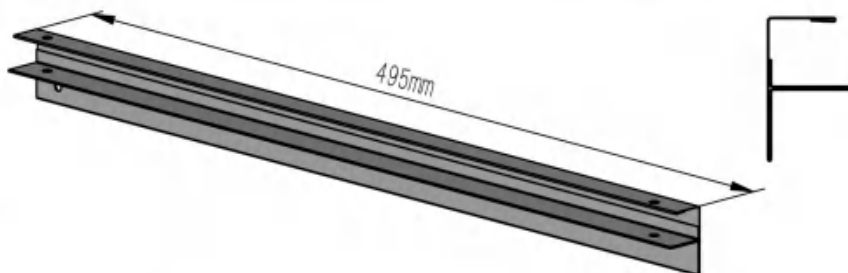
E2 1X



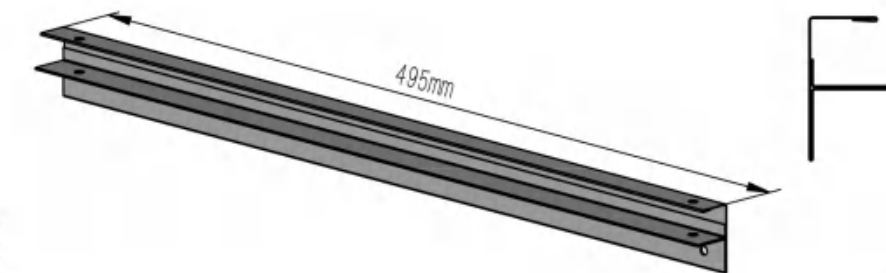
E3 1X



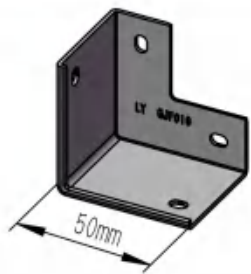
E4 1X



E5 1X



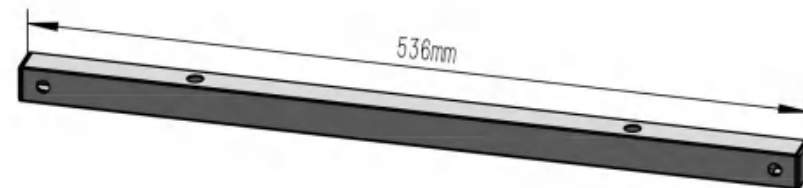
F1 4X



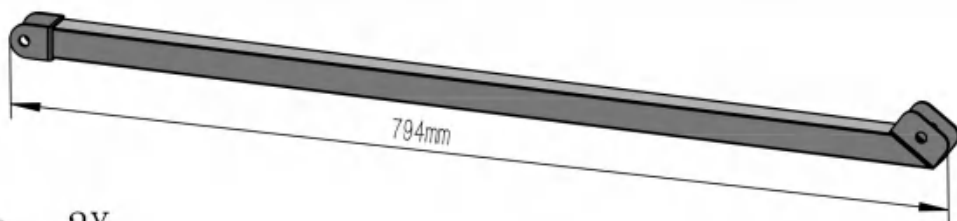
F2 2X



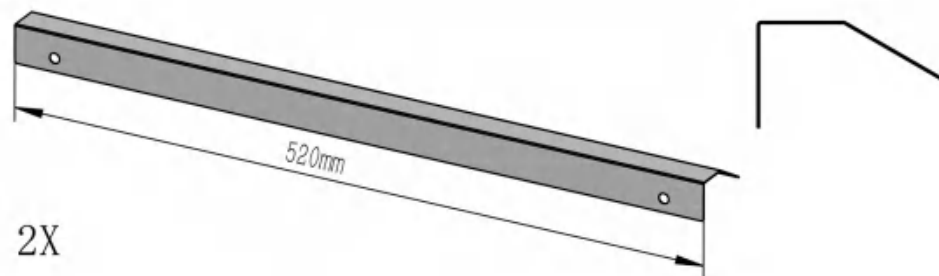
G1 2X



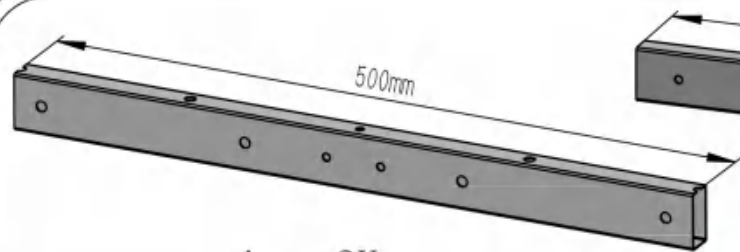
G2 2X



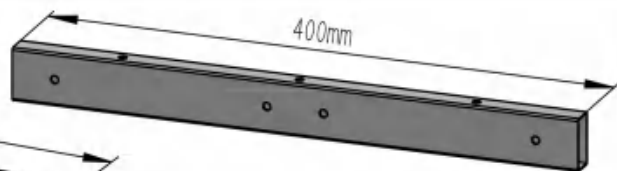
H1 2X



 1# 8X ST4.2*8	 2# 4X M4*8	 3# 8X M4*26	 4# 12X M4	 5# 12X M4	 6# 57X M6*16
 7# 2X M6*32	 8# 2X M6	 9# 2X M6	 10# 2X M8*35	 11# 4X M8*40	 12# 6X M8
 13# 6X M8	 D12/d6. 2*H2 14# 23X	 D15/d5. 52*H4 15# 8X	 Spacer 16# 8X	 17# 4X ST6*70	 (D12) 18# 4X
	 M8*100 (D10) 20# 4X	 21# 1X M6	 22# 1X M8	 23# 1X M6	
 24# 1X M8					



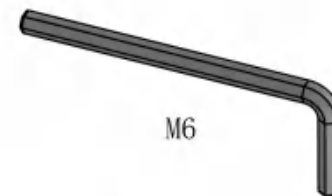
A3 2X



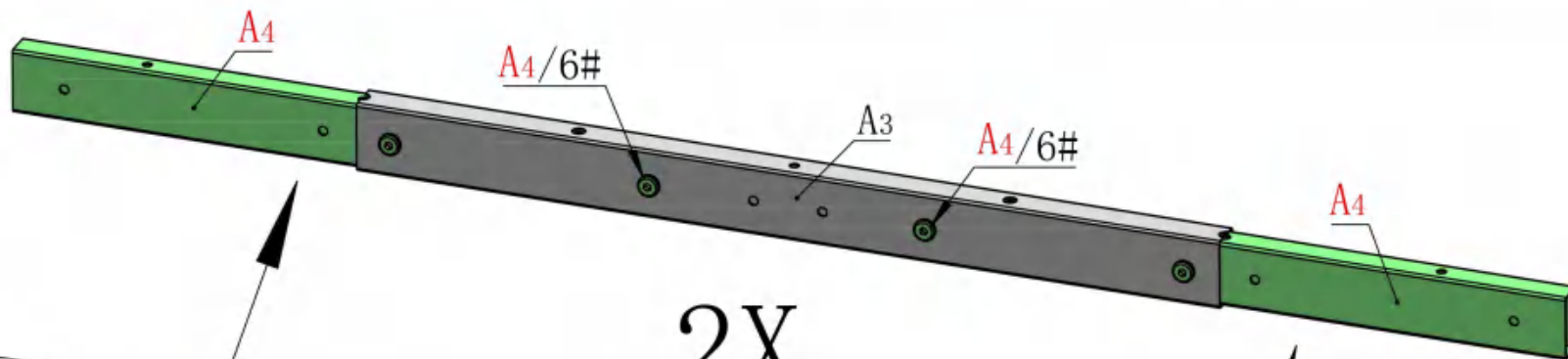
A4 4X



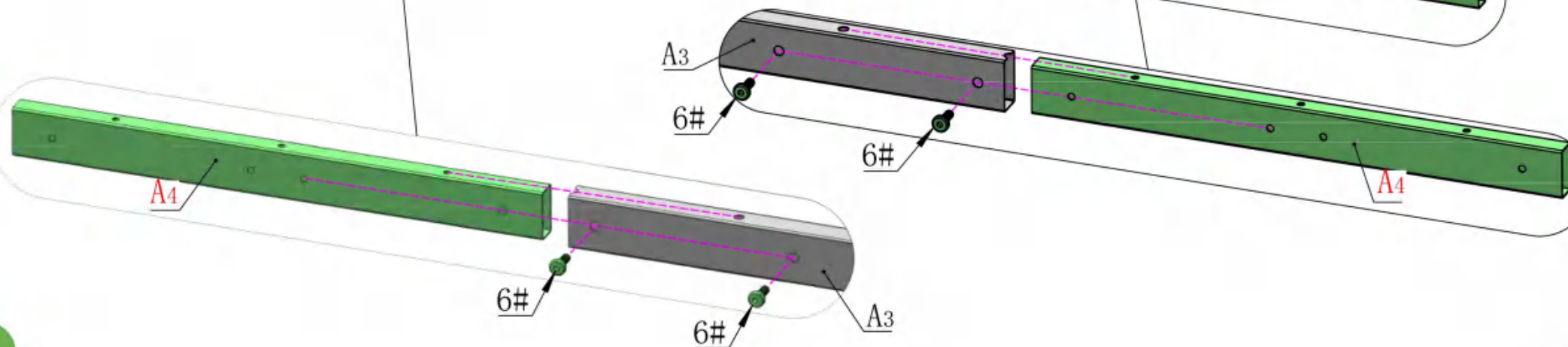
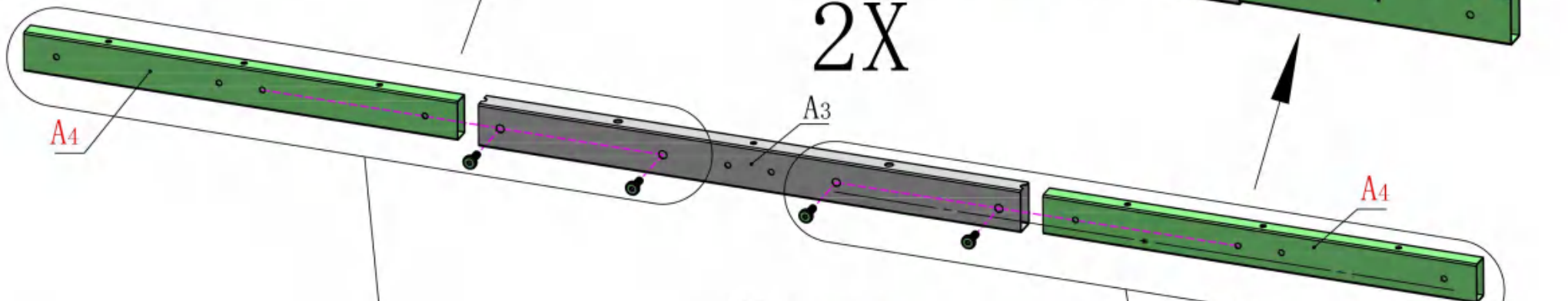
6# 8X

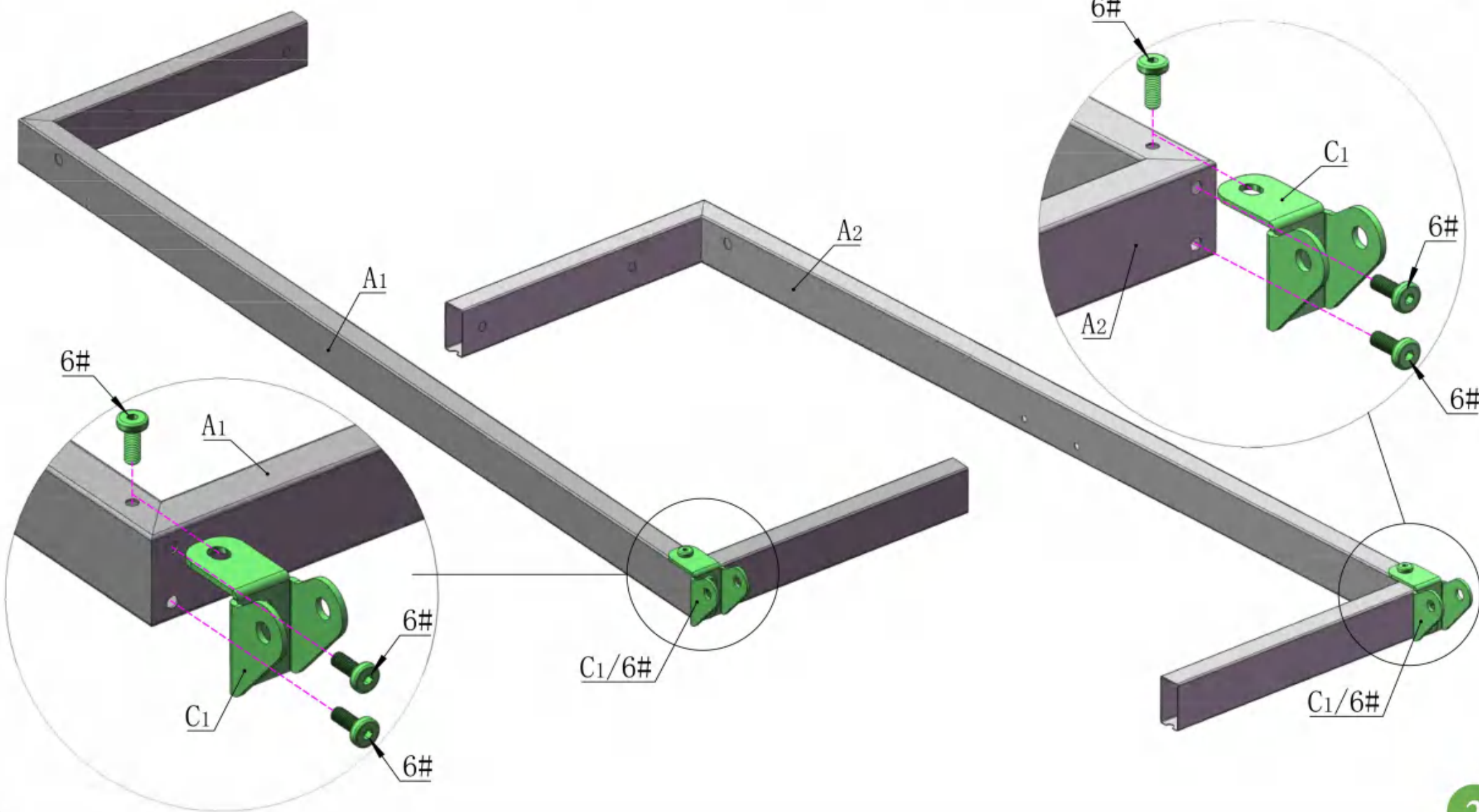
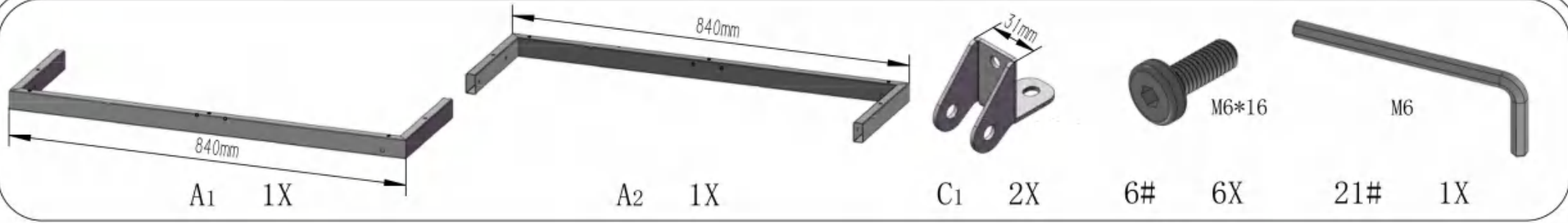


21# 1X



2X



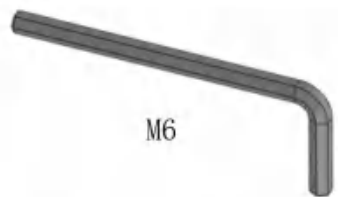




M6\*16

6#

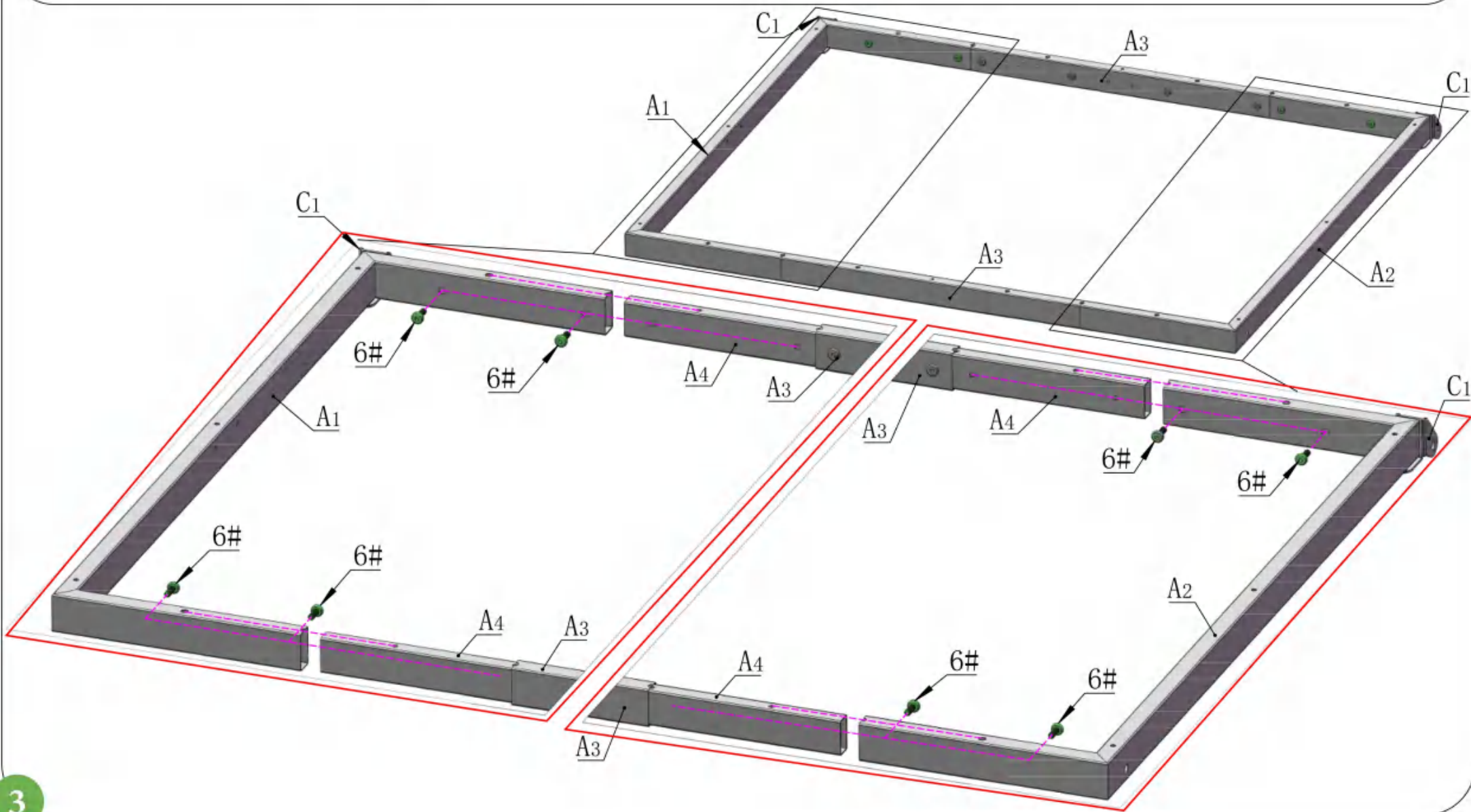
8X

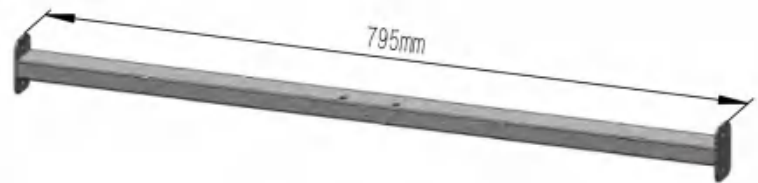


M6

21#

1X





B1 1X



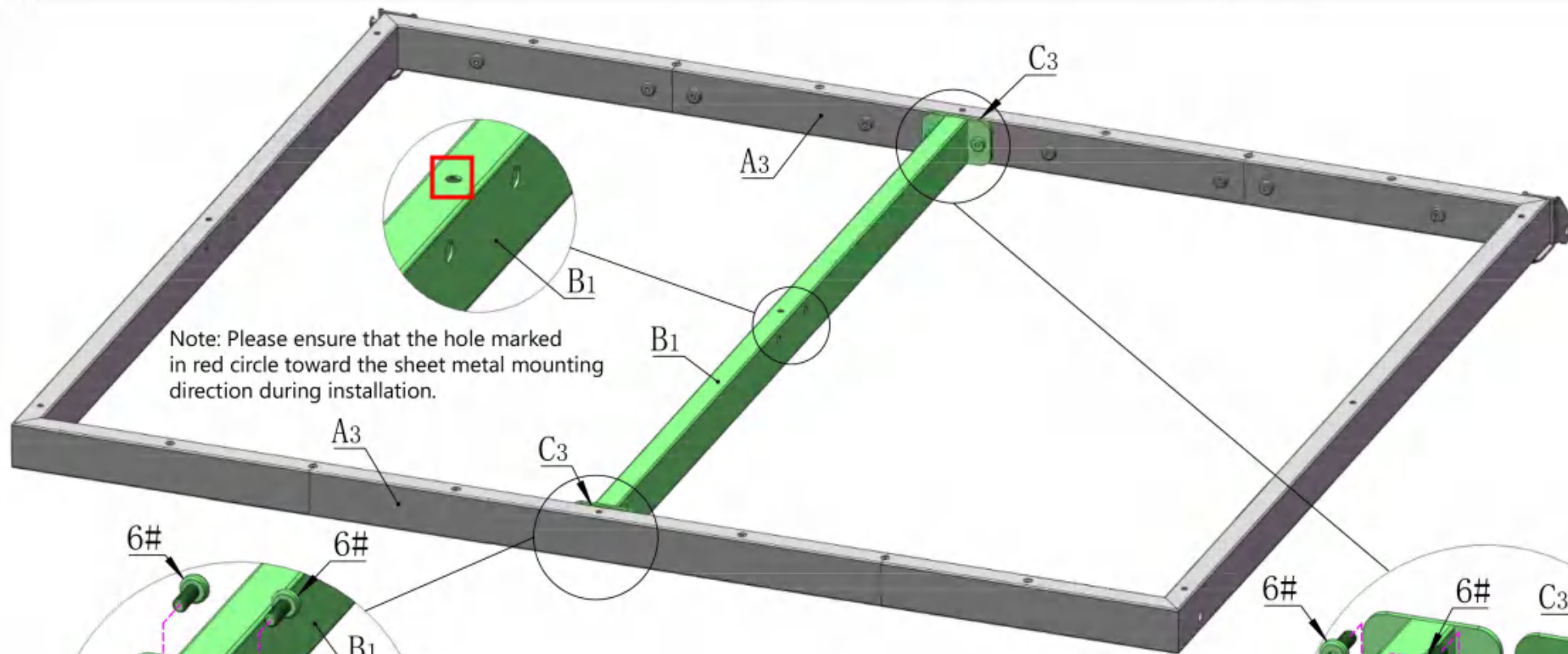
C3 2X



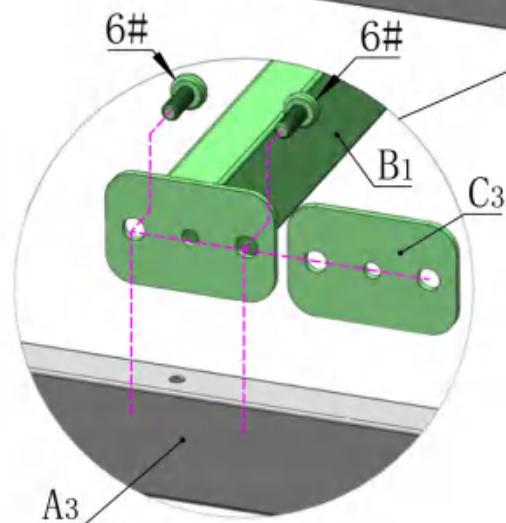
6# 4X



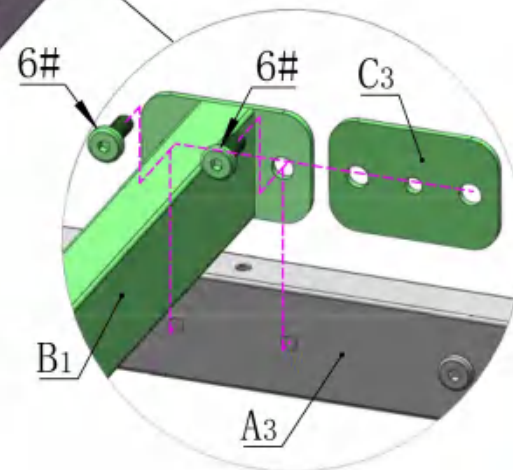
21# 1X

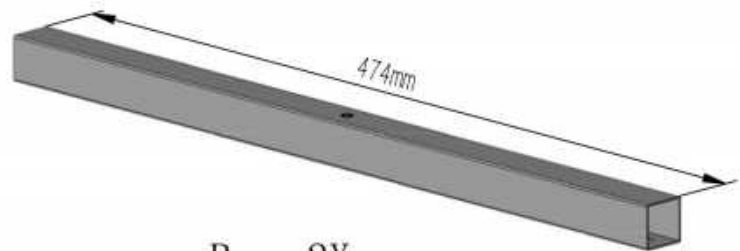


Note: Please ensure that the hole marked in red circle toward the sheet metal mounting direction during installation.



Note: Please install #C3 between #B1 and #A3.





B2 2X



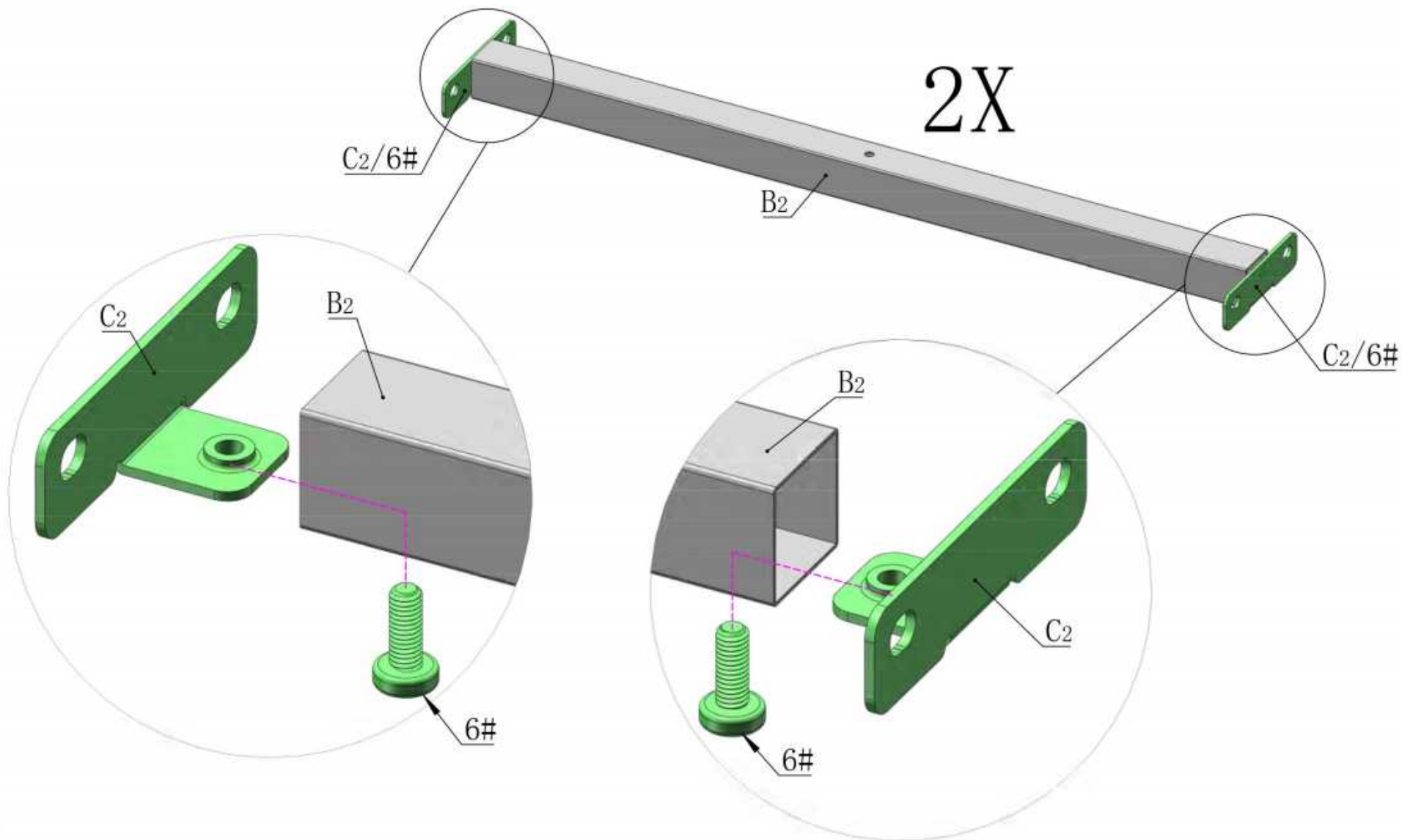
C2 4X



6# 4X



21# 1X





M6\*16

6#

4X



M6\*32

7#

2X



M6

8#

2X



M6

9#

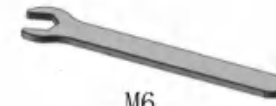
2X



M6

21#

1X

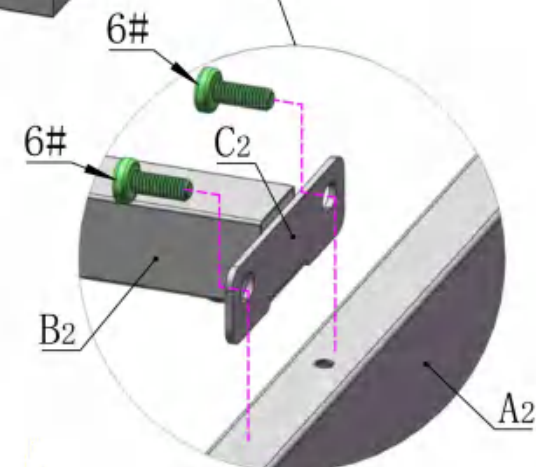
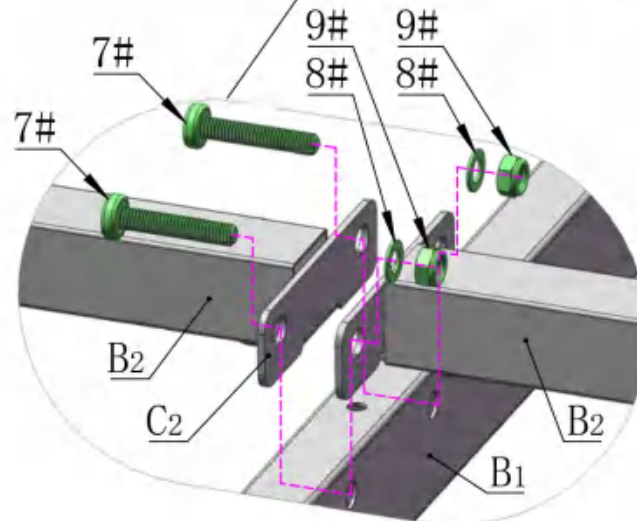
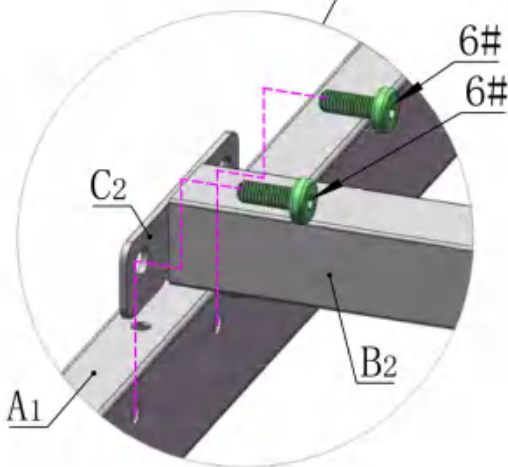
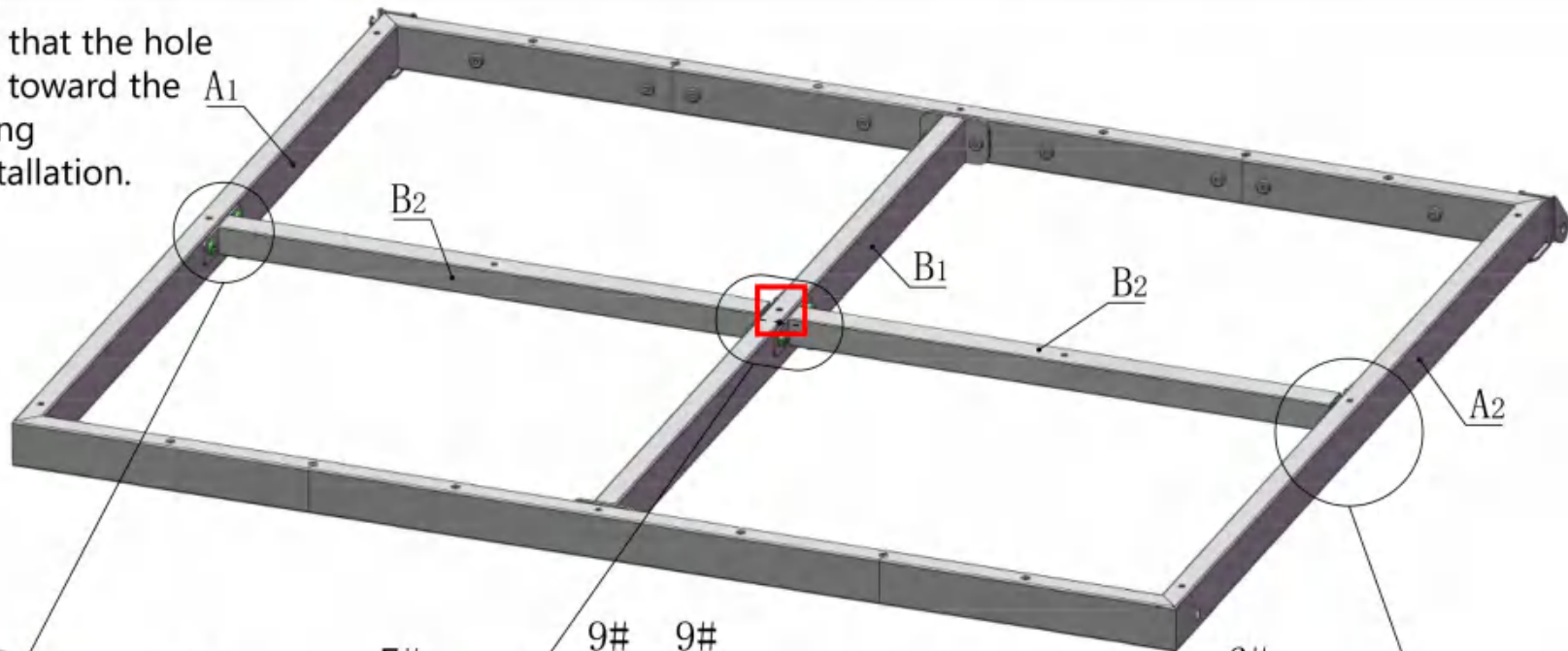


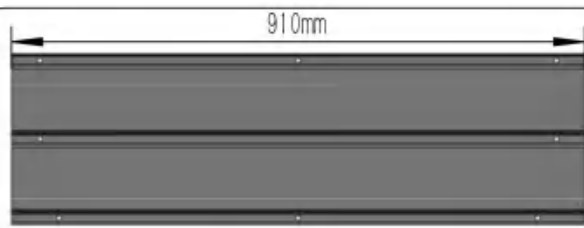
M6

23#

1X

Note: Please ensure that the hole marked in red circle toward the sheet metal mounting direction during installation.





D1 1X



M6\*16

6# 2X



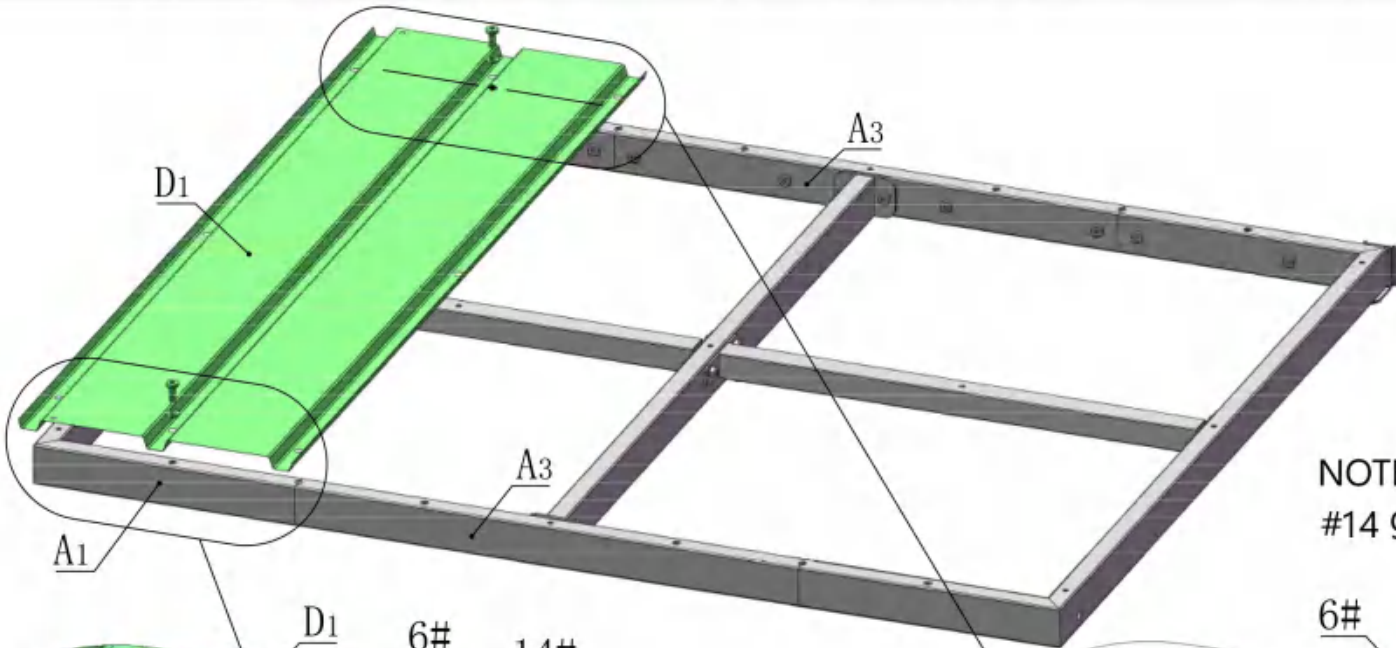
D12/d6. 2\*H2

14# 2X

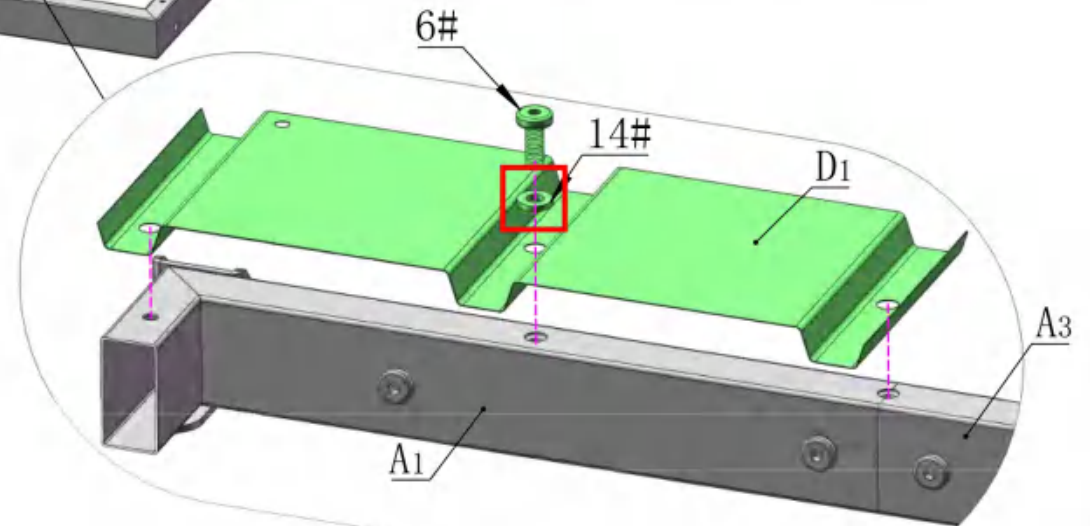
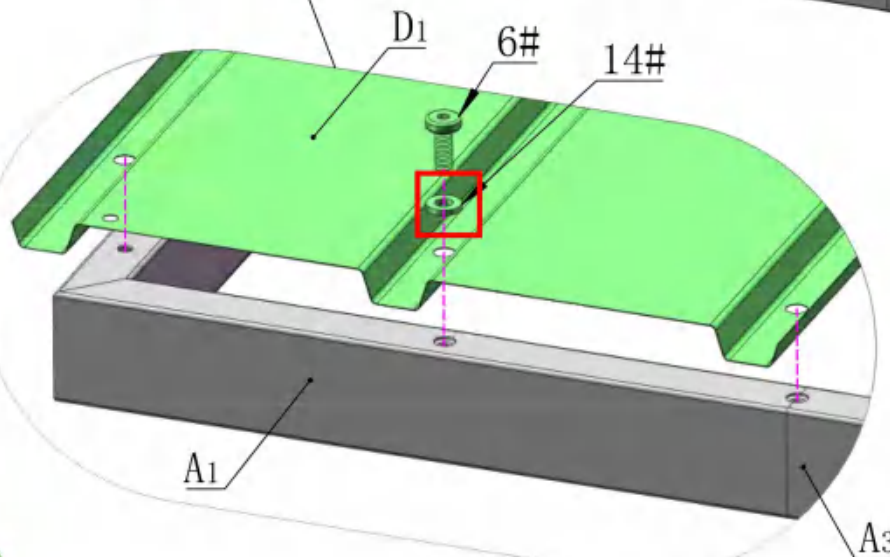


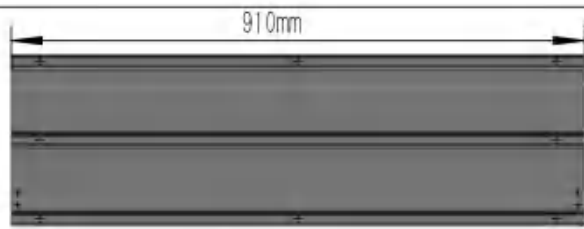
M6

21# 1X



NOTE: Make sure to use the #14 gasket for installation.





D3 2X

6#

10X

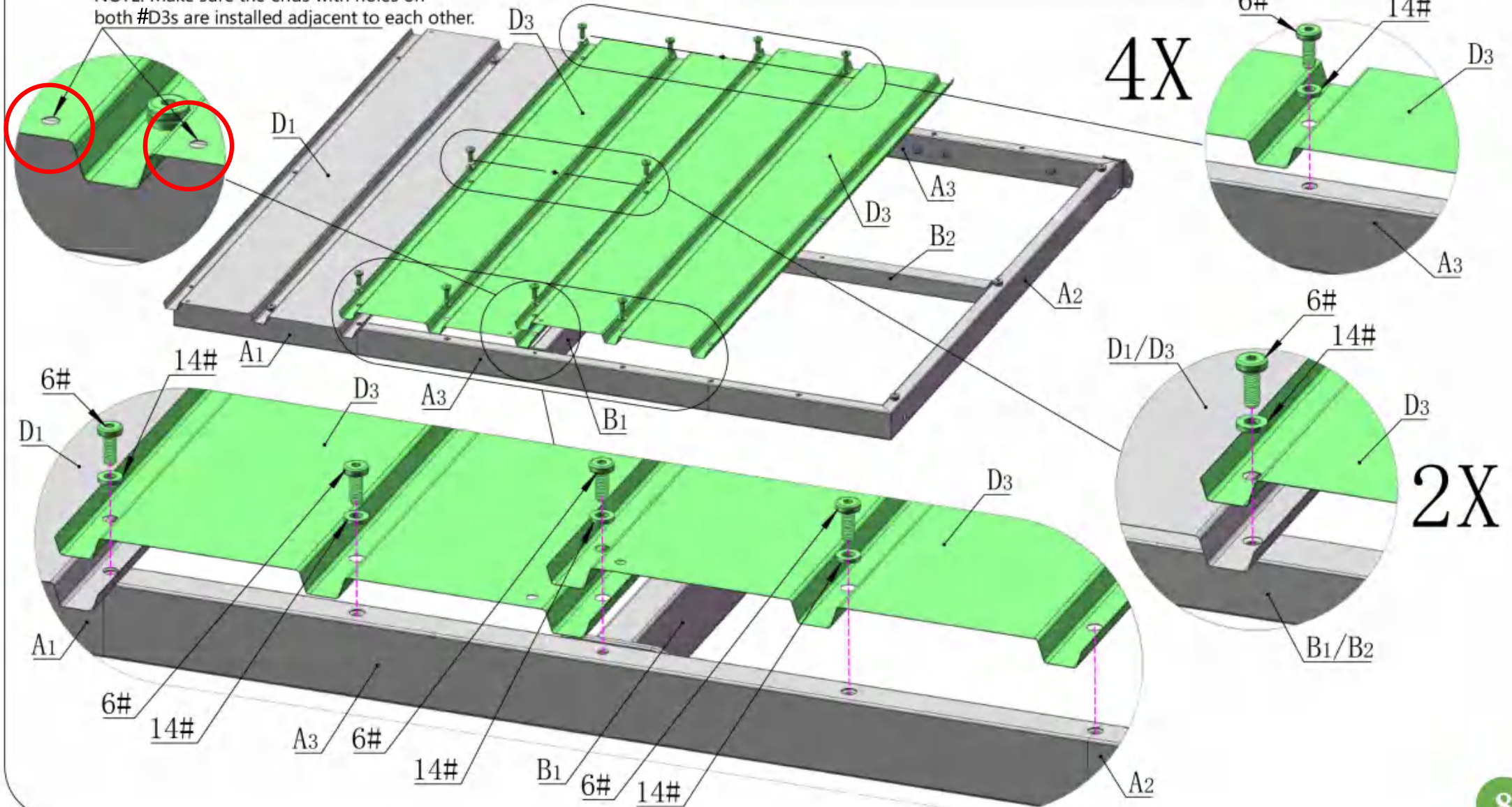
14#

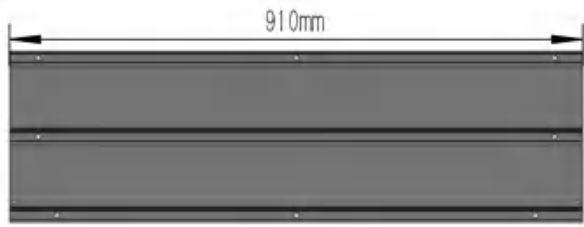
10X

21#

1X

NOTE: Make sure the ends with holes on both #D3s are installed adjacent to each other.





D1 1X



M6\*16

6# 5X



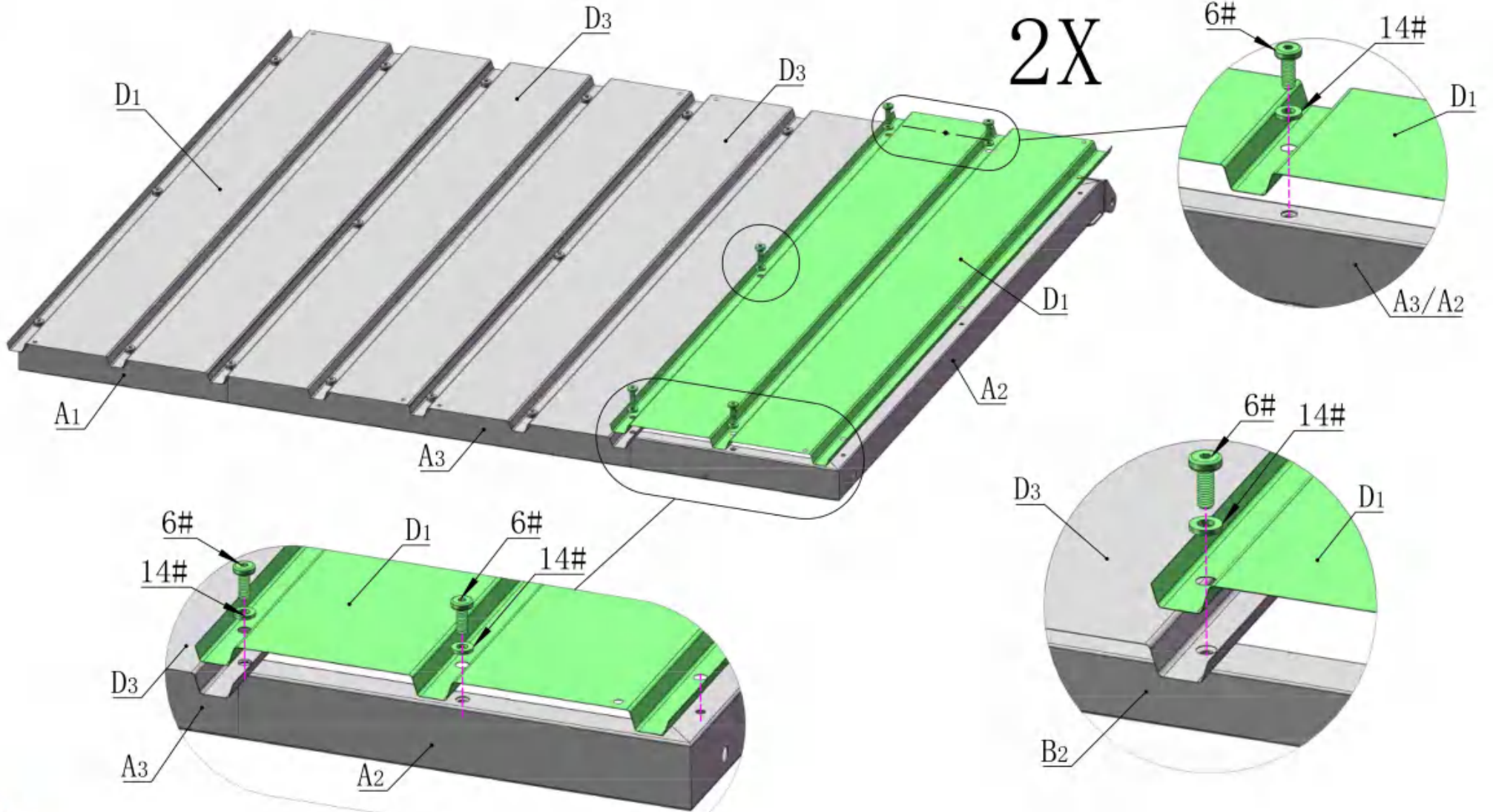
D12/d6. 2\*H2

14# 5X



M6

21# 1X





E1 2X



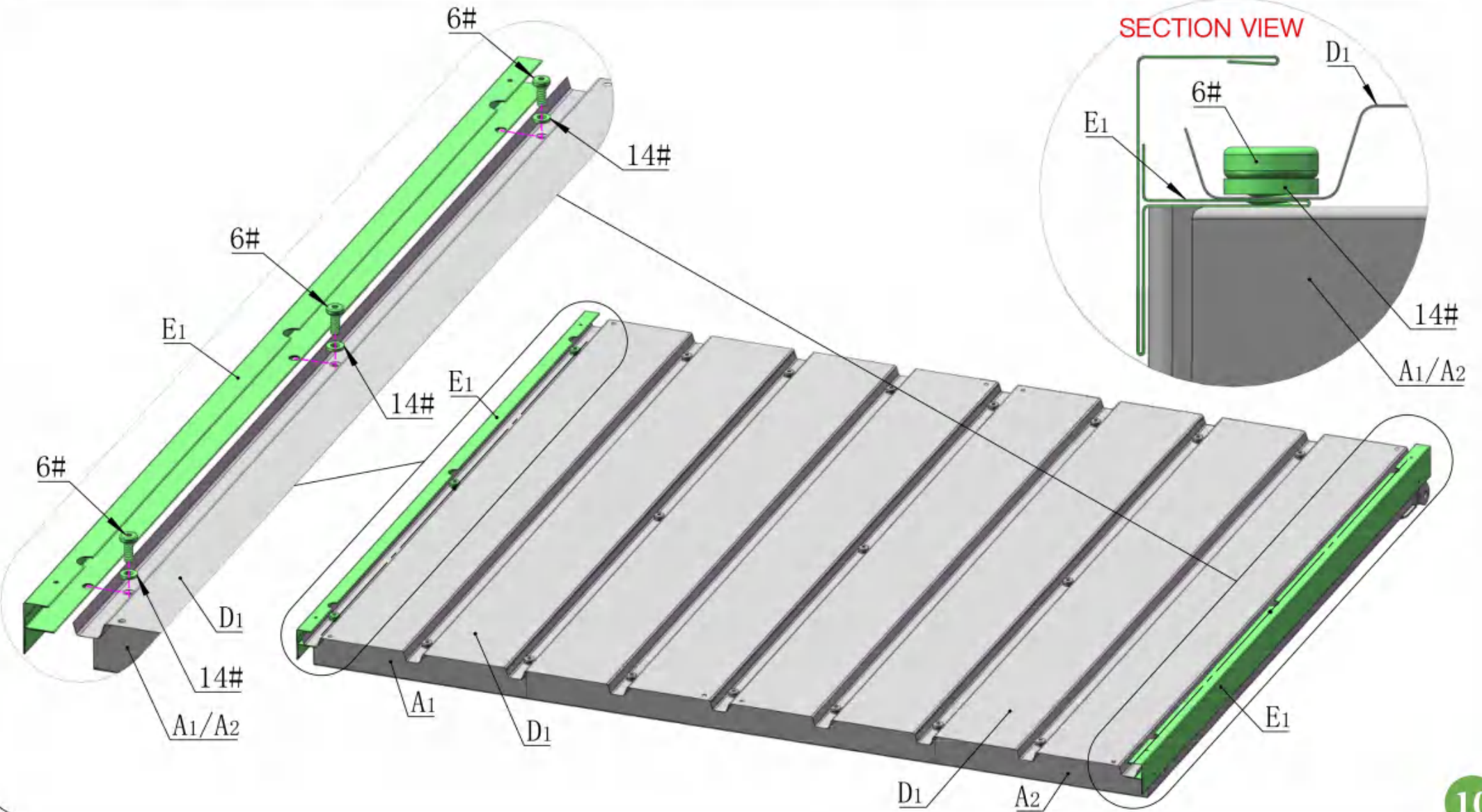
6# 6X

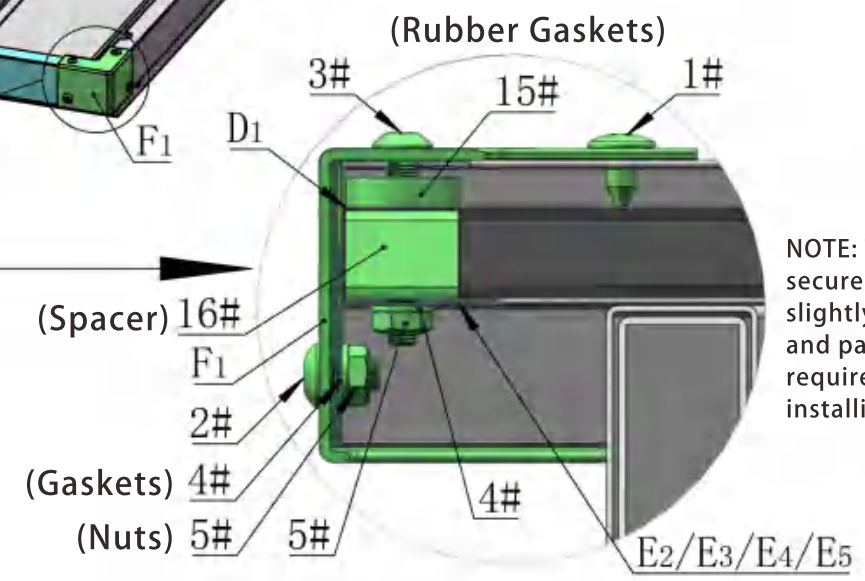
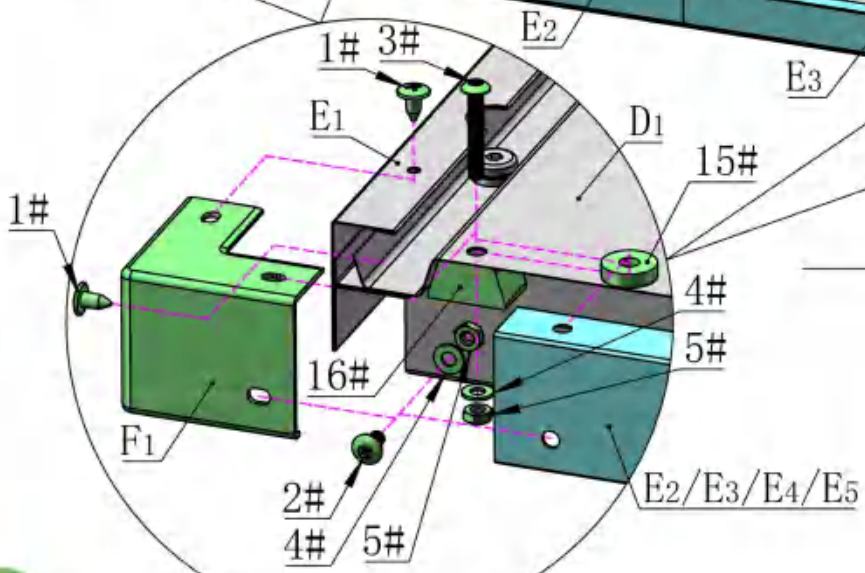
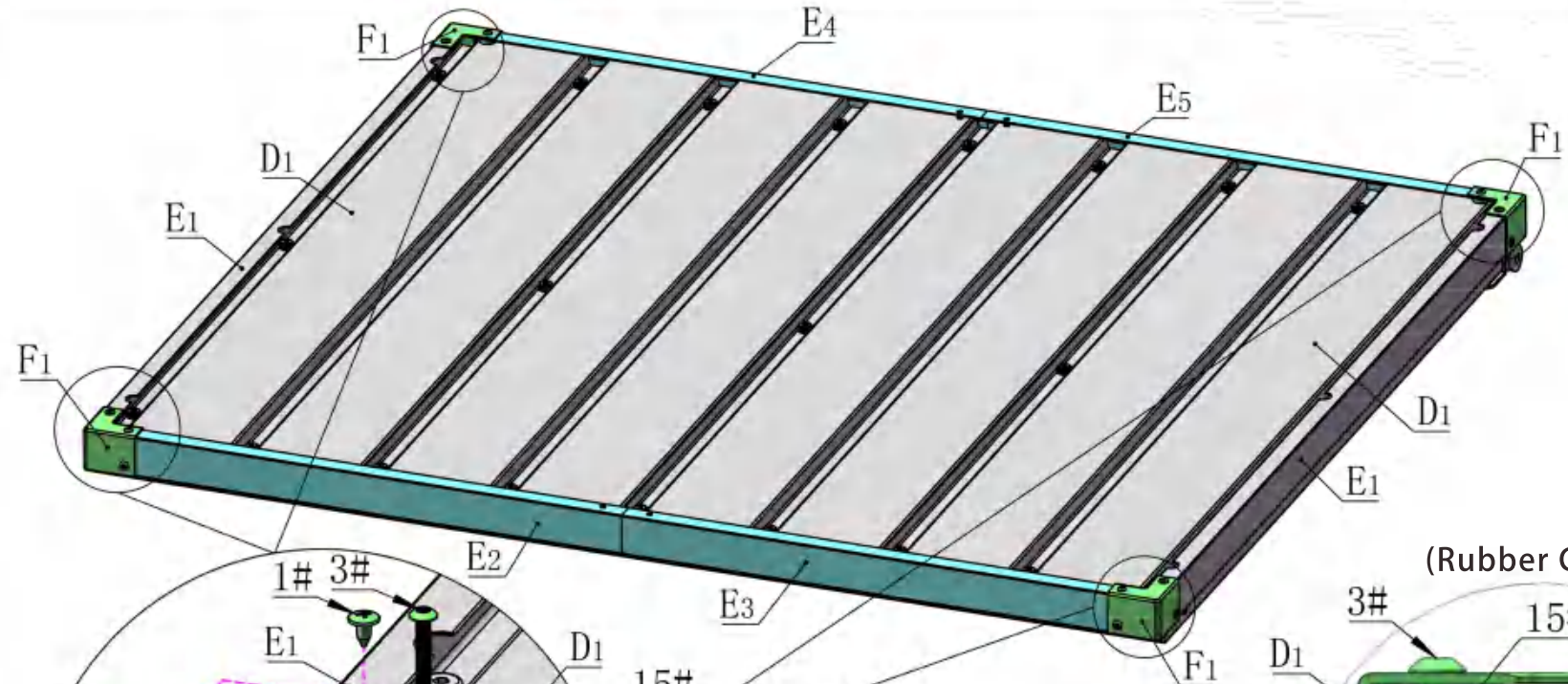
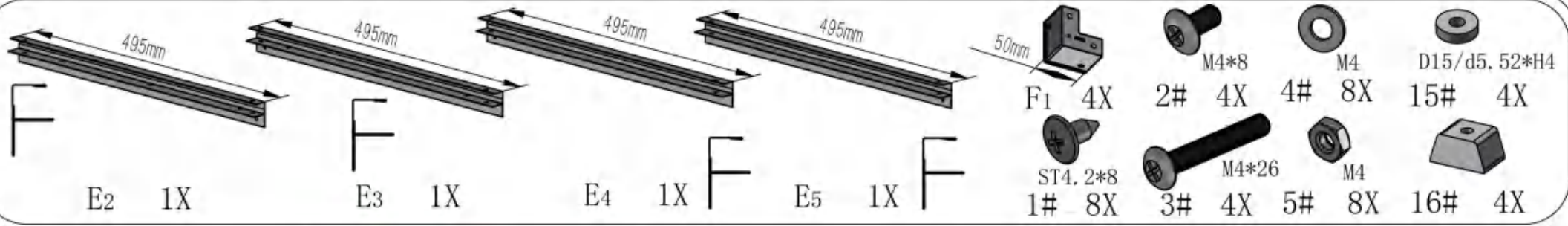


14# 6X



21# 1X





NOTE: To ensure a secure installation, slightly more force and patience are required when installing #16.



F2 2X



3# 4X



4# 4X



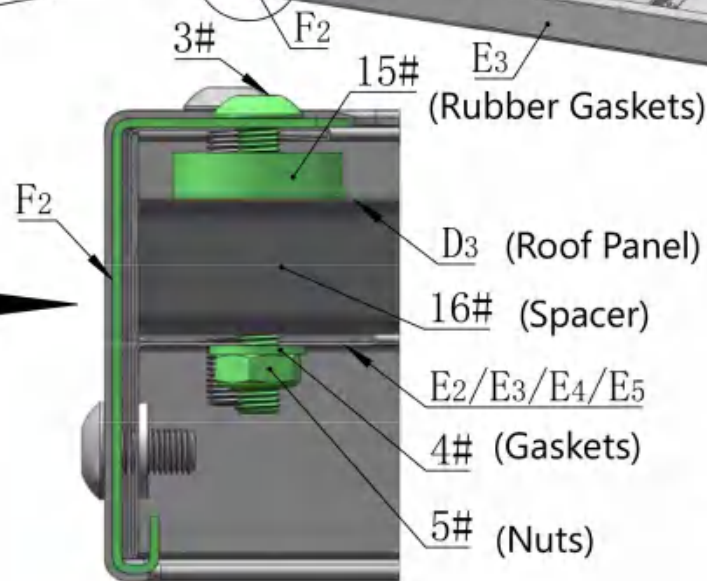
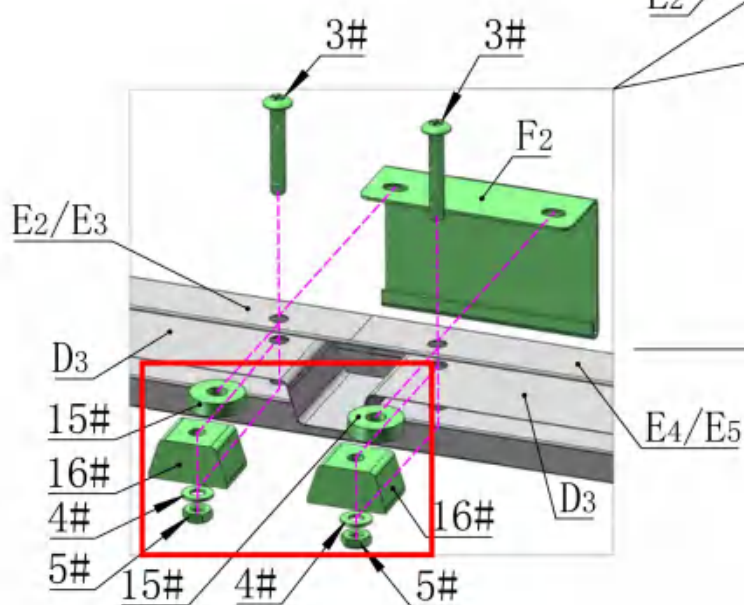
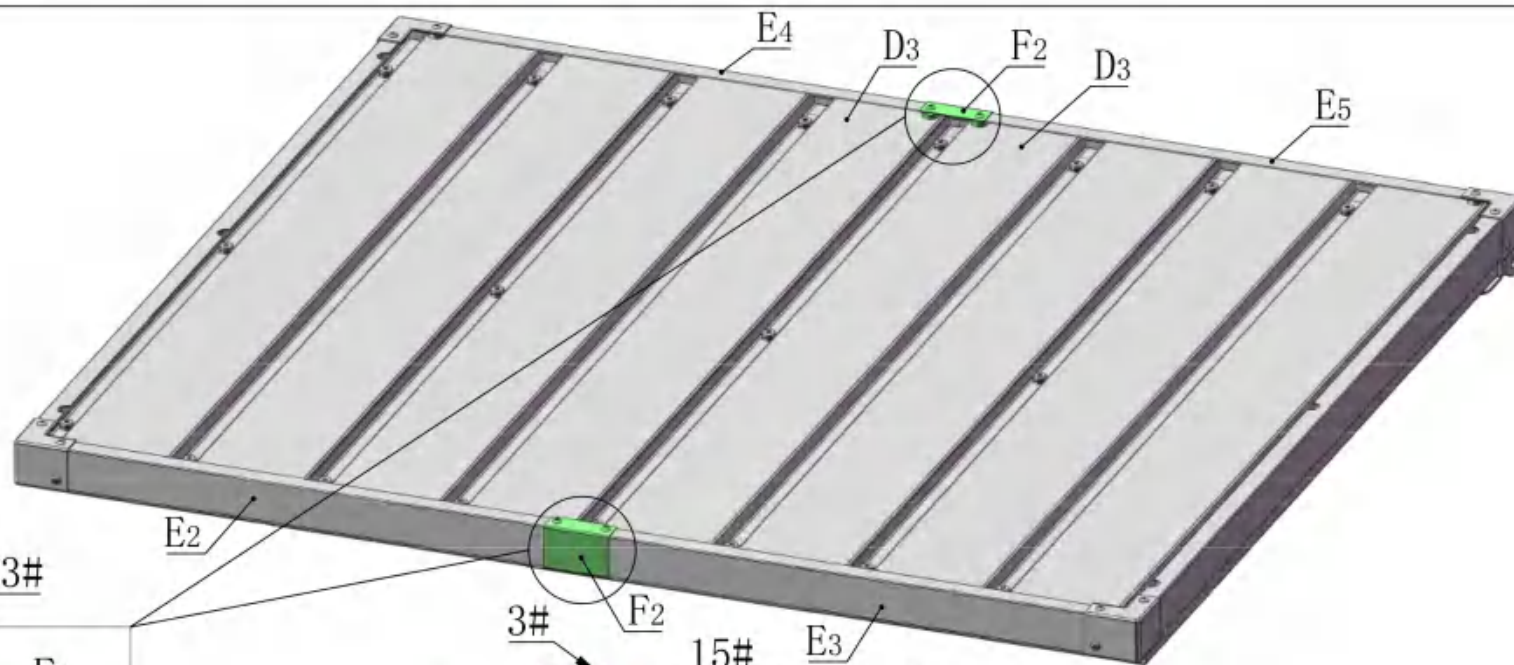
5# 4X



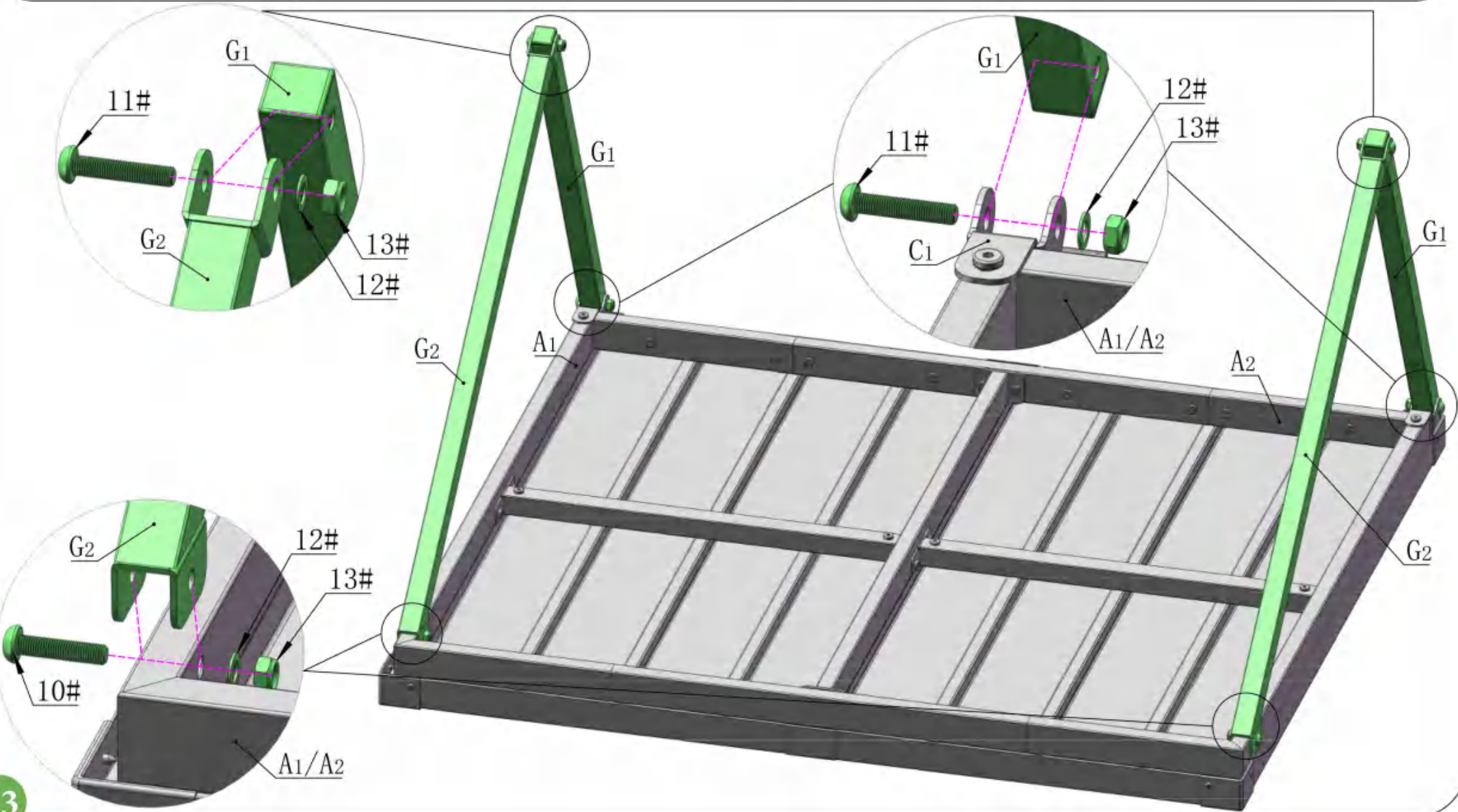
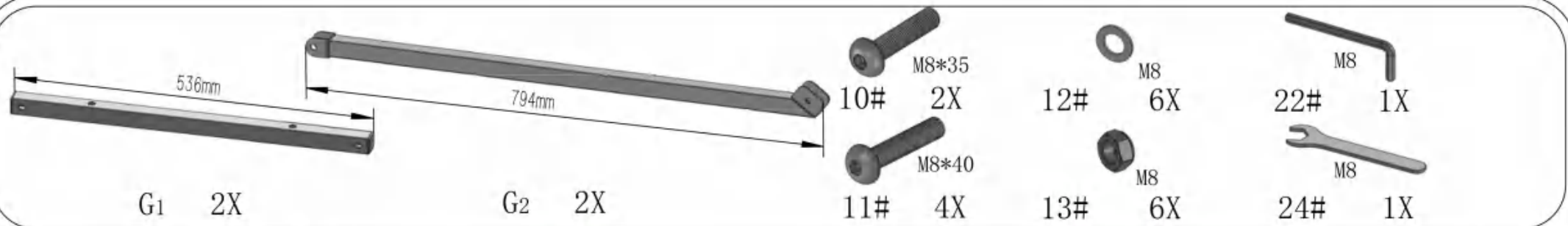
15# 4X

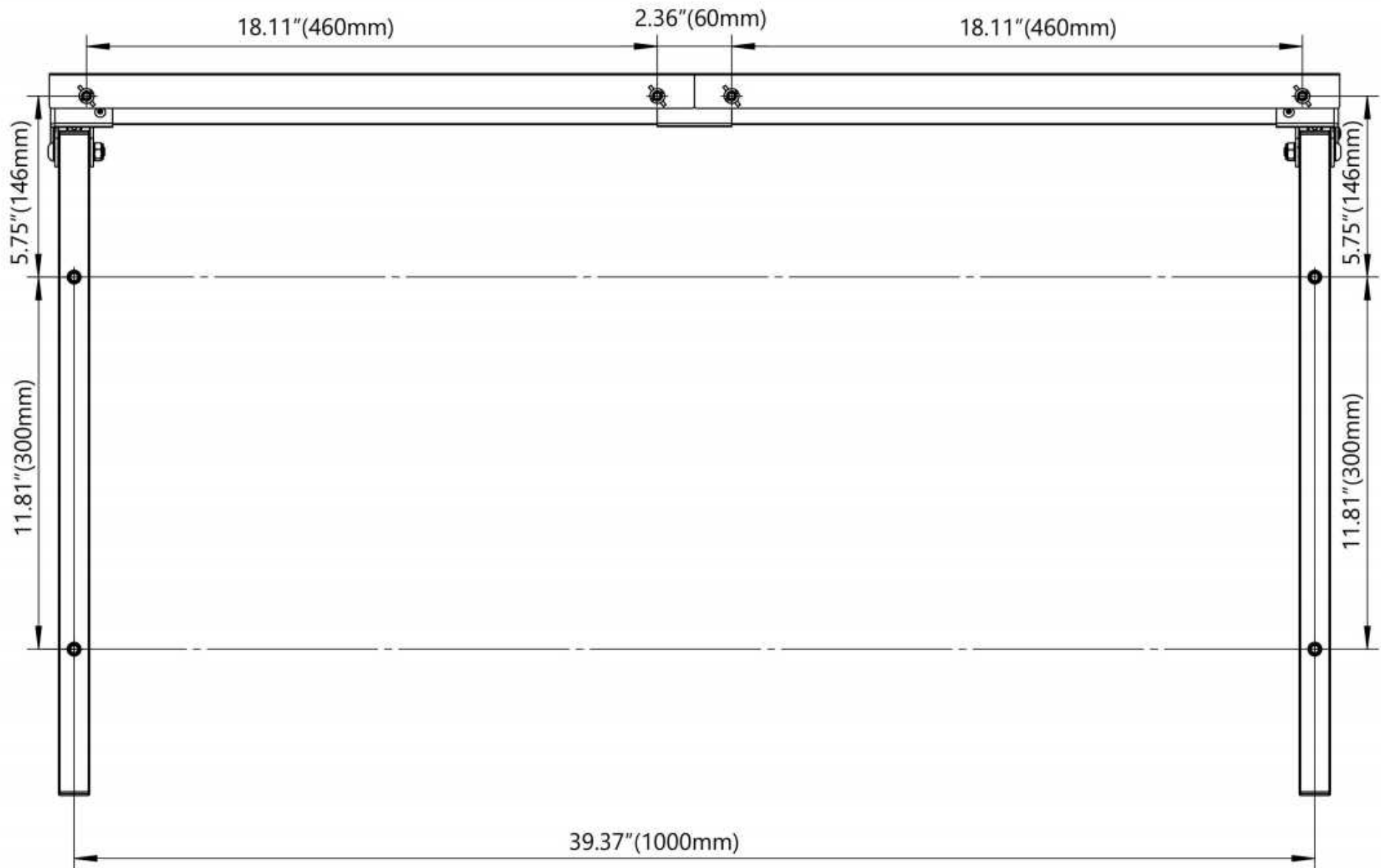


16# 4X

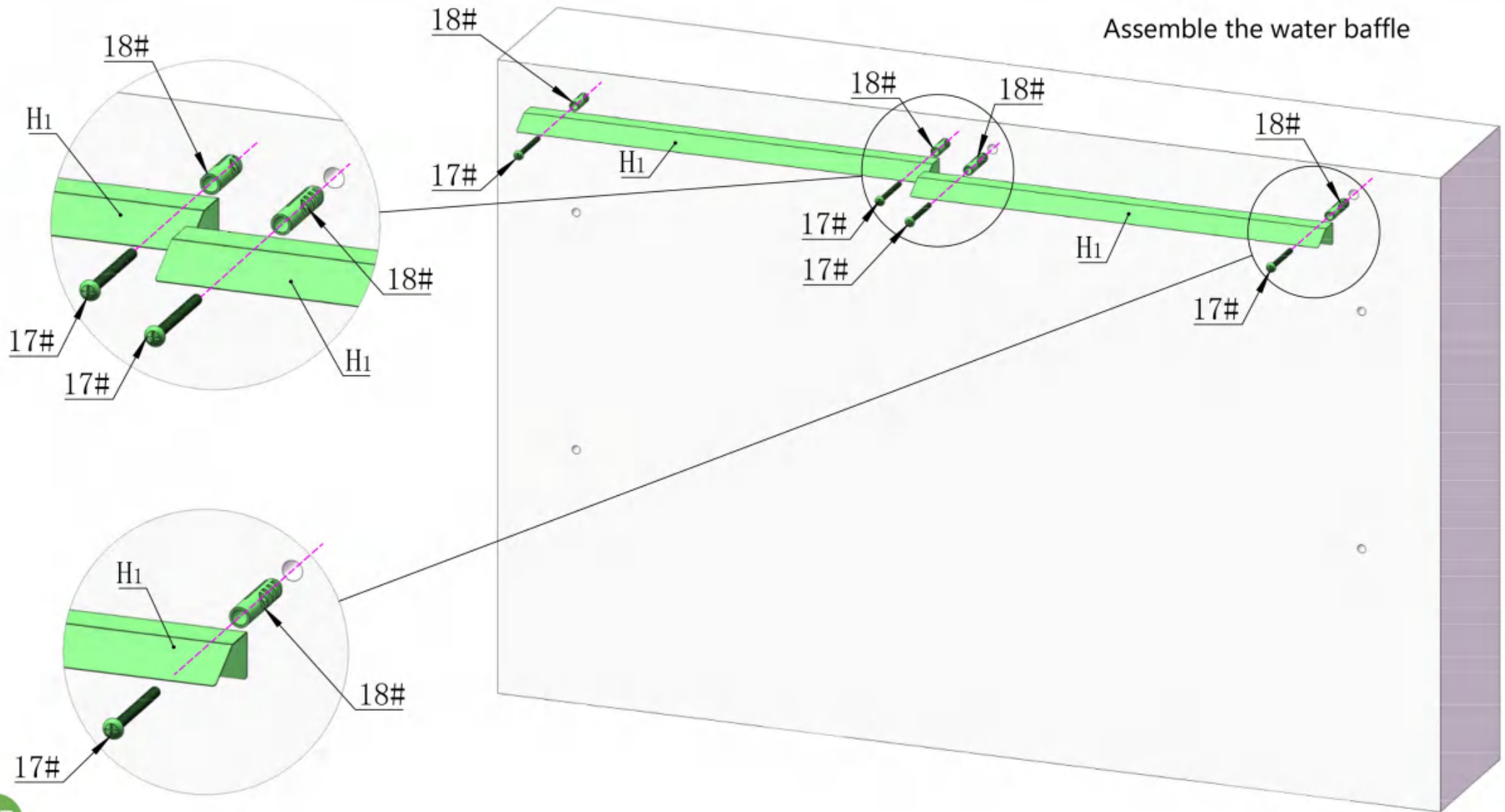
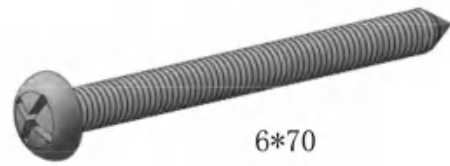
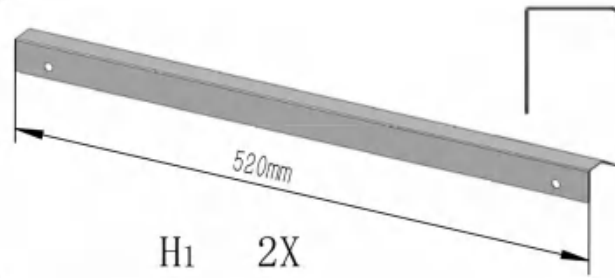


NOTE: To ensure a secure installation, slightly more force and patience are required when installing #16.

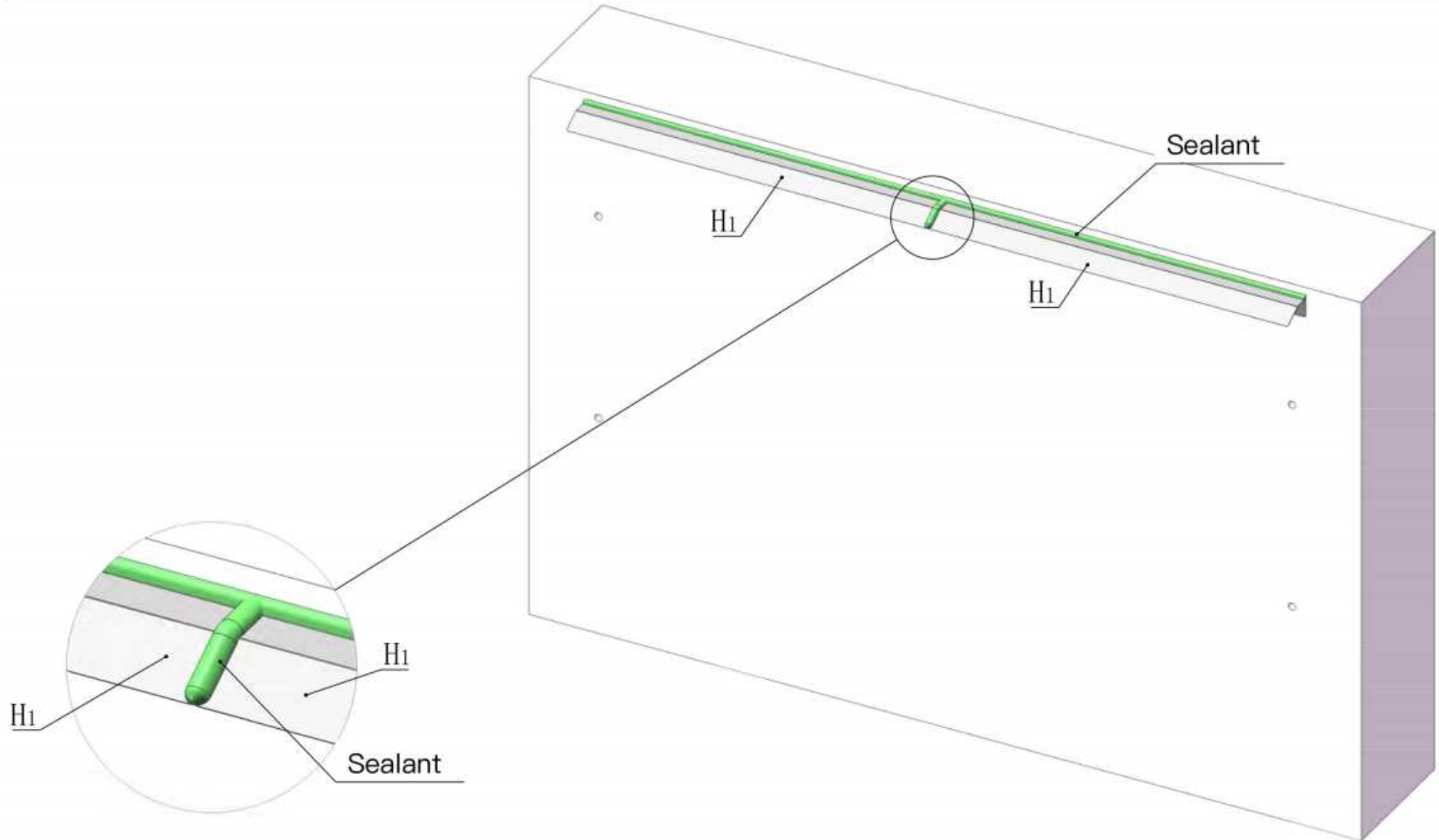




NOTE: This diagram shows the mounting hole dimensions for the wall expansion anchor bolts. Alternatively, after assembly, we highly suggest to position the product against the wall to mark the mounting hole locations before drilling.



NOTE: Apply sealant to the seam of the rain guard #H1 and its connection to the wall to prevent water leakage (sealant must be purchased separately).

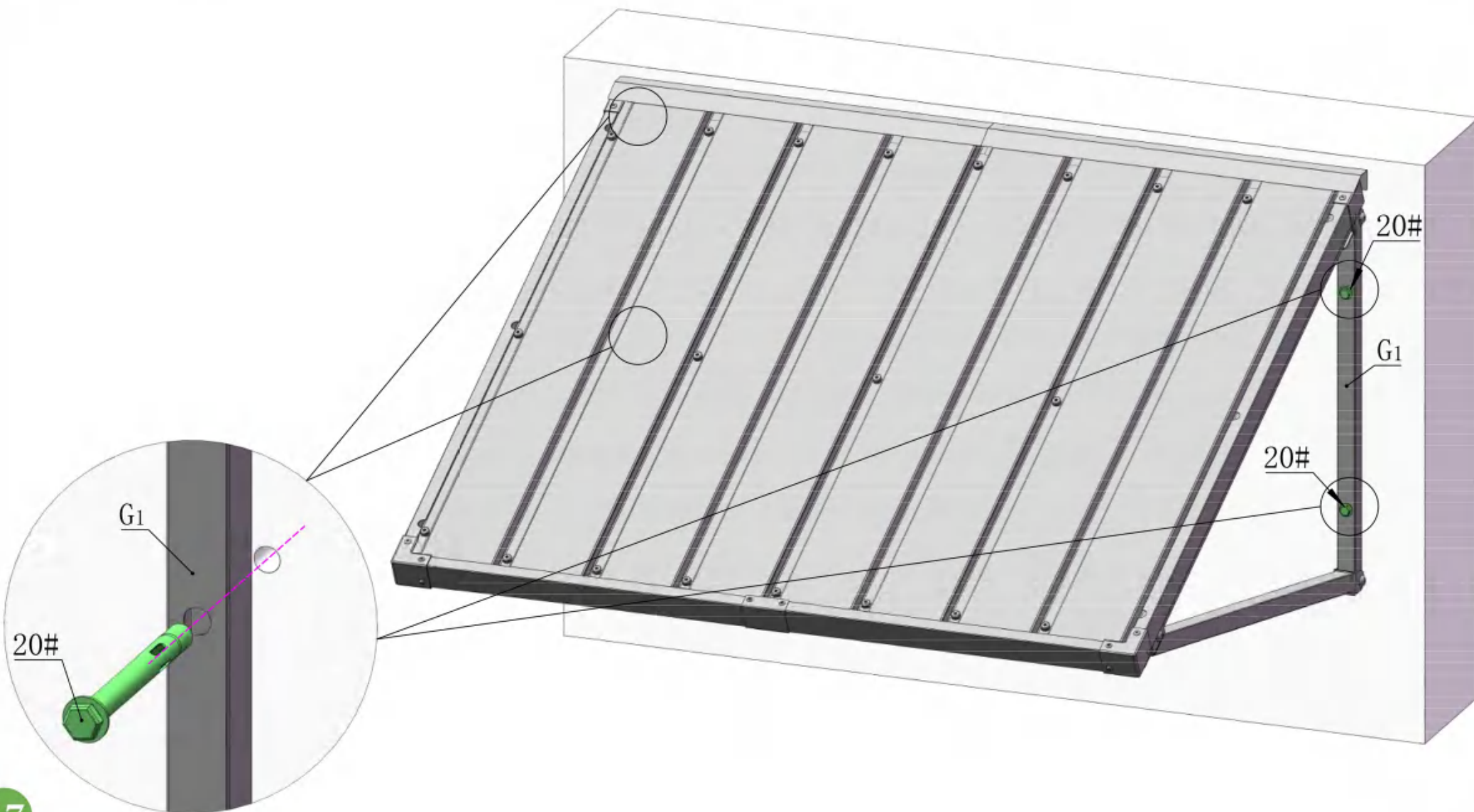




M8\*100 (D10)

20# 4X

NOTE: Please use a heavy-duty household wrench for tightening.



# **Warranty**

## **Frames**

Frames constructions are warranted to be free from defects in material and workmanship for 1 year from item purchased. Damage to frame from negligence won't be covered by this warranty.

## **Bolts & nuts**

Bolts and nuts are warranted to be free from defects in material and workmanship for 1 year from item purchased. Damage from exposure to chemicals (including not only oils ,spills, fluids) won't be covered by this warranty.

## **Warranty Limitation**

This warranty is for the original purchase order only. (Order number required). This warranty is non-transferable. Domi outdoor living is responsible for the free replacement part including shipping charges for the 1 year warranty.

## **Warranty Exclusion**

This warranty does not cover products subject to negligence, abuse usage, inappropriate installation. Domi outdoor living reserves the right to explain warranty exclusions. When the replacement item is applied, the 1 year warranty automatically expires. Please feel free to contact us for applying warranty.



RESORT COMFORT IN YOUR  
OWN BACKYARD

**Support:**



Email: [service@domioutdoorliving.com](mailto:service@domioutdoorliving.com)

Please tell us your order ID when contact.

Attach photos of damaged part for instant reply.