

Package List

**Futon
Body
(A)*2**



Side Legs (B)*2

Bolts(E)*4



Bolts(D)*8



Middle Lges(C)*2

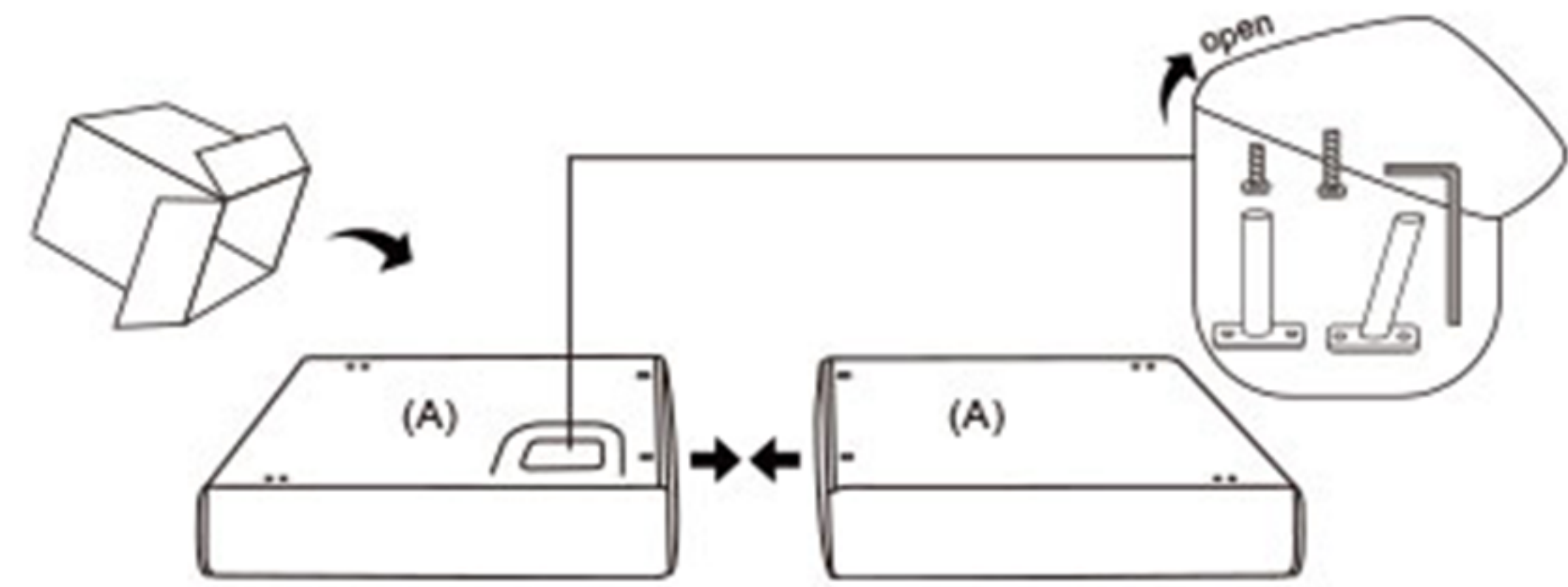


Side Legs (B)*2

Assembly Steps

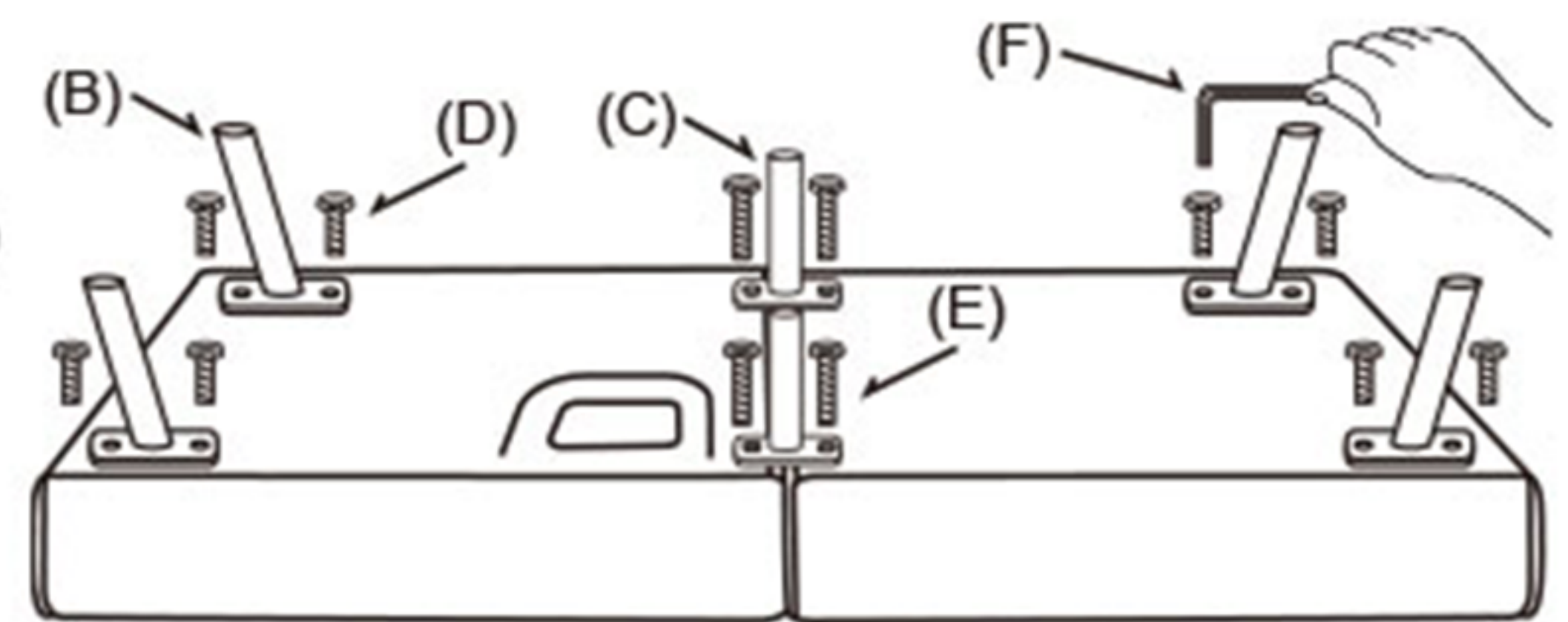
Step1

Turn the futon body (A) upside down, place the two sides of the mounting middle legs close together. Take out the legs and hardware in the fabric zipper pocket on the underside of the sofa bed.



Step2

1. Attach the Middle Legs (C) *2 to the Futon Body (A) with Four Bolts (E)*4, using the Wrench (F).
2. Attach the Side Legs (B) *4 to the Futon Body (A) with Eight Bolts (D) *8, using the Wrench (F).



Step3

Flip the Futon over so it is supported on its legs, the assembly is complete.

