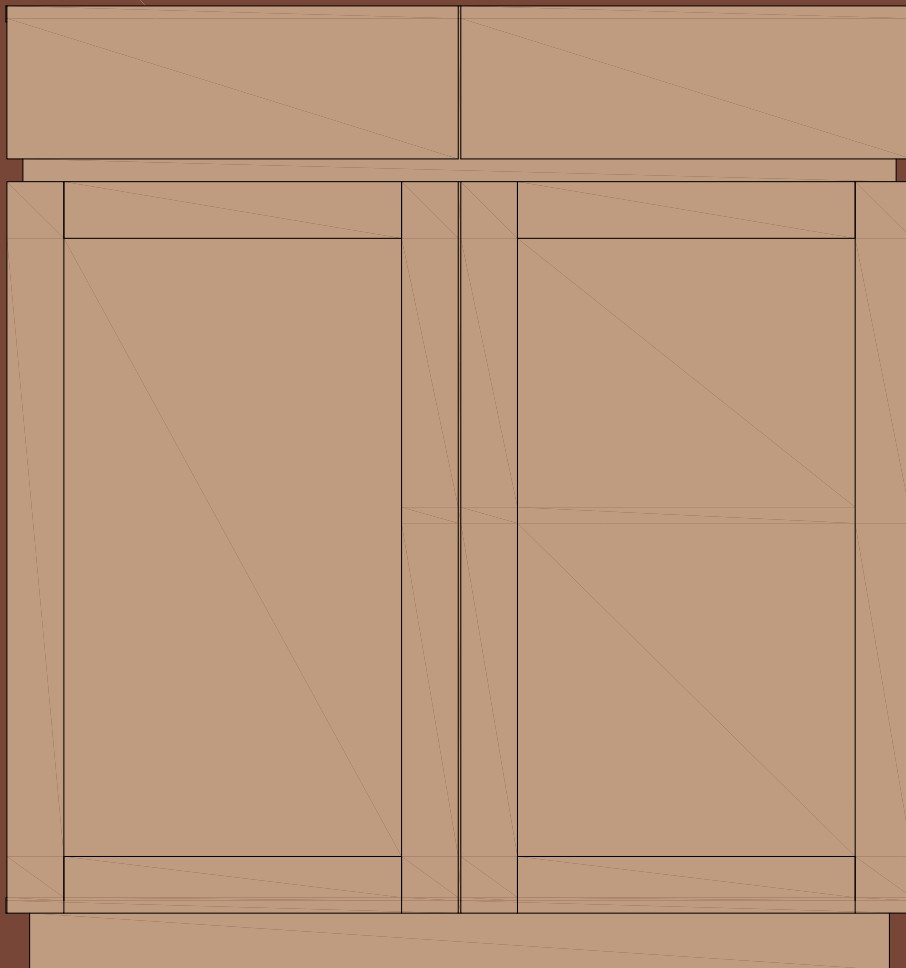




ModernMate

ASSEMBLY INSTRUCTION



Base Wine Cabinet

INTRUCTION

Thank you for purchasing our products. Please read the instructions carefully before installation and keep it in a safe place for future reference. If you need any assistance or support, please feel free to contact our customer support team.

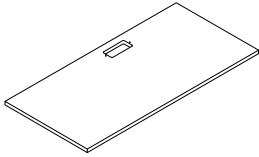
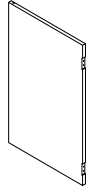

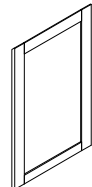
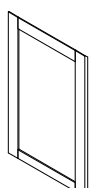
PRECAUTIONS

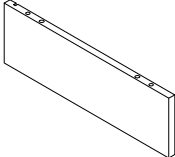
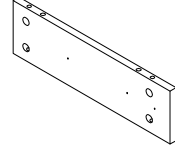
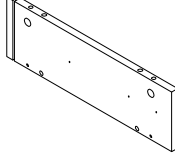
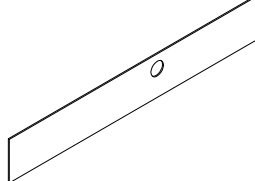
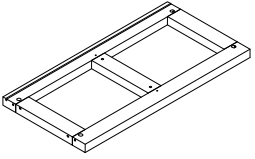
1. There are many components and accessories in the package. Each component and accessory is labeled with a letter or a number, check carefully before using any of them. Keep them away from children to prevent accidents.
2. Please install the product on a clean and soft underlay (such as carpet or cardboard) to avoid scratching or damaging the surface of the product.
3. The main components of the product is relatively heavy. Please pay attention to safety during installation.
4. The product is not stable during installation. Please do not move it randomly before it is completely installed.
5. If you have any questions during installation, please contact the customer service in time.

*** Please be sure to follow the installation steps in the manual to avoid unnecessary losses caused by improper installation.**

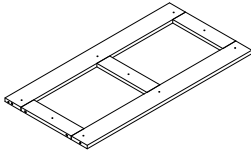
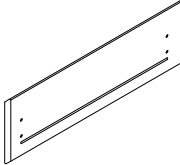
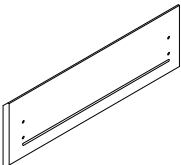
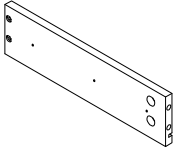
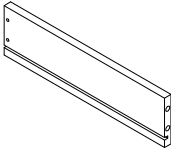
*** If you need further assistance, please contact the customer service online.**

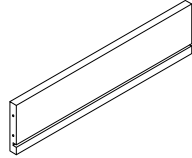
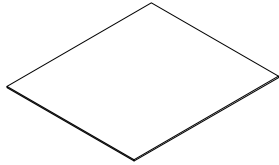
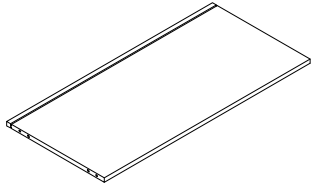
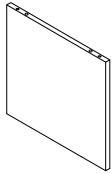
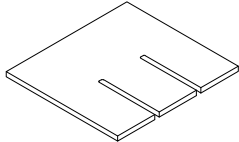
Parts list

ID	Parts	QTY
1	Top panel	1
		
2	Left side panel	1
		
3	Right side panel	1
		
4	Left door	1
		
5	Right door	1
		

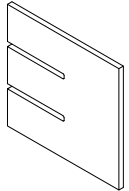
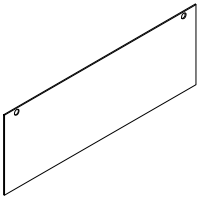
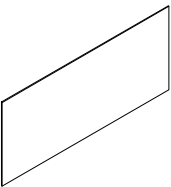
ID	Parts	QTY
6	Upper left side panel	1
		
7	Upper right side panel	1
		
8	Upper middle side panel	1
		
9	Upper back panel	1
		
10	Upper middle frame	1
		

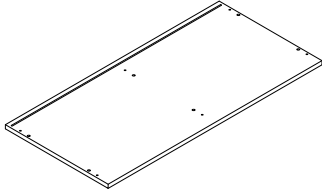
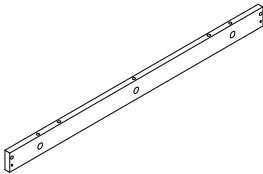
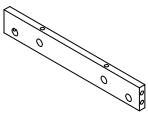
Parts list

ID	Parts	QTY
11	Middle frame	1
		
12	Left drawer front panel	1
		
13	Right drawer front panel	1
		
14	Left drawer side panel	2
		
15	Right drawer side panel	2
		

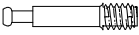
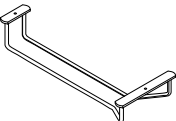
ID	Parts	QTY
16	Drawer back panel	2
		
17	Drawer bottom panel	2
		
18	Middle partition panel	1
		
19	Vertical middle partition panel	1
		
20	Wine rack horizontal partition	2
		


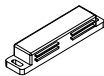
Parts list

ID	Parts	QTY
21	Vertical partition of the wine rack	2
		
22	Middle back panel	1
		
23	Lower back panel	1
		

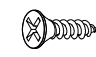
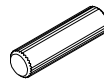
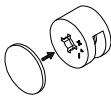
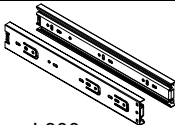

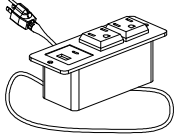
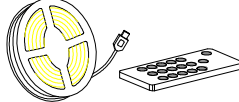
ID	Parts	QTY
24	Bottom panel	1
		
25	Long bottom rail	2
		
26	Short bottom rail	2
		



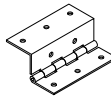
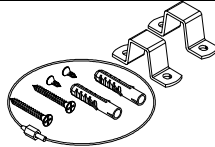
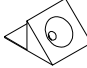

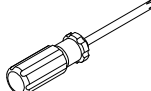
Hardware list

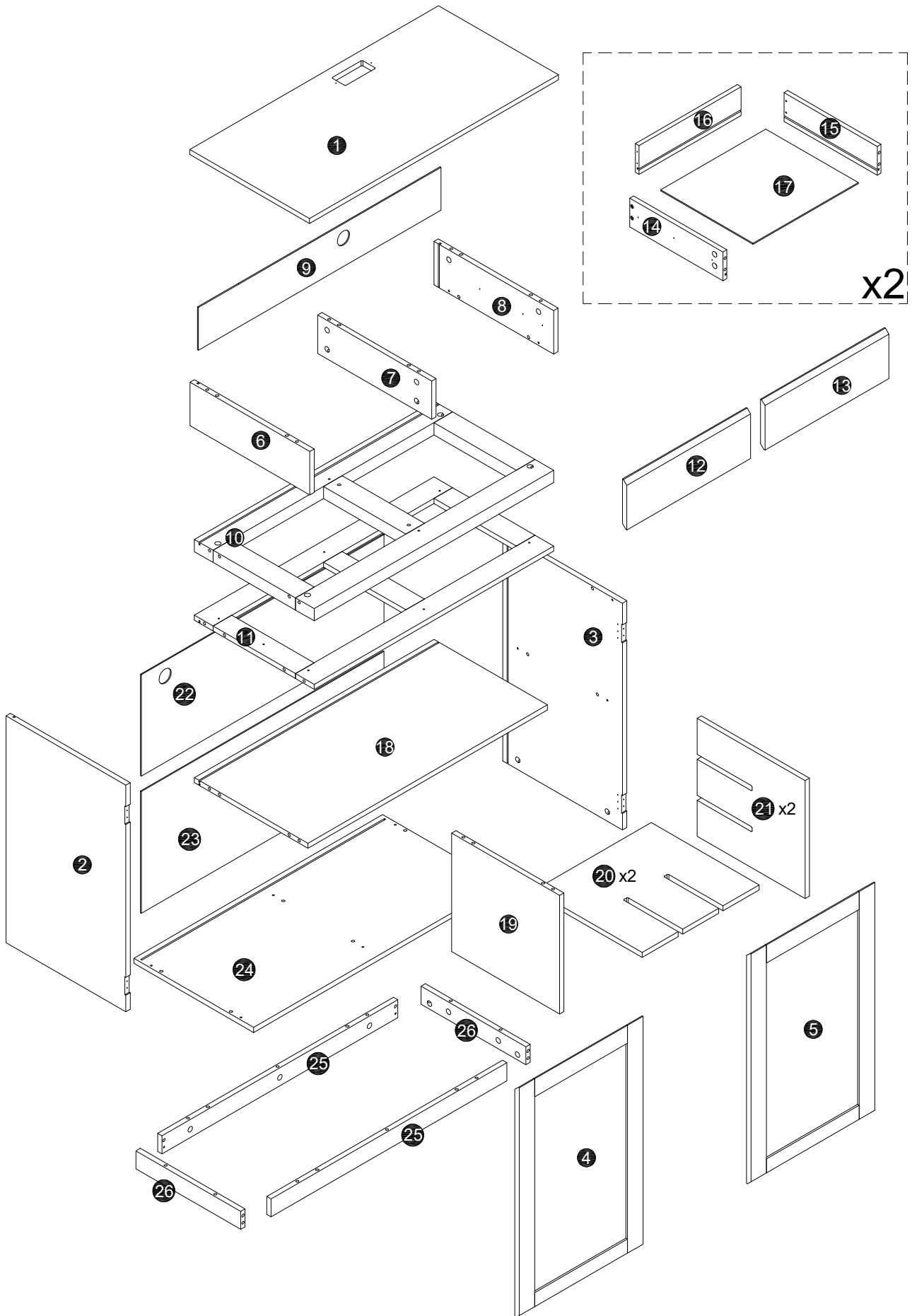
ID	Parts	QTY
A	CAM BOLT	50 +4
	 Ø6*34mm	
B	UNDER-CABINET STEMWARE RACK	4
		

ID	Parts	QTY
C	SCREW	40 +2
	 Ø3.5*12mm	
D	MAGNETIC CATCH	1
		

Hardware list

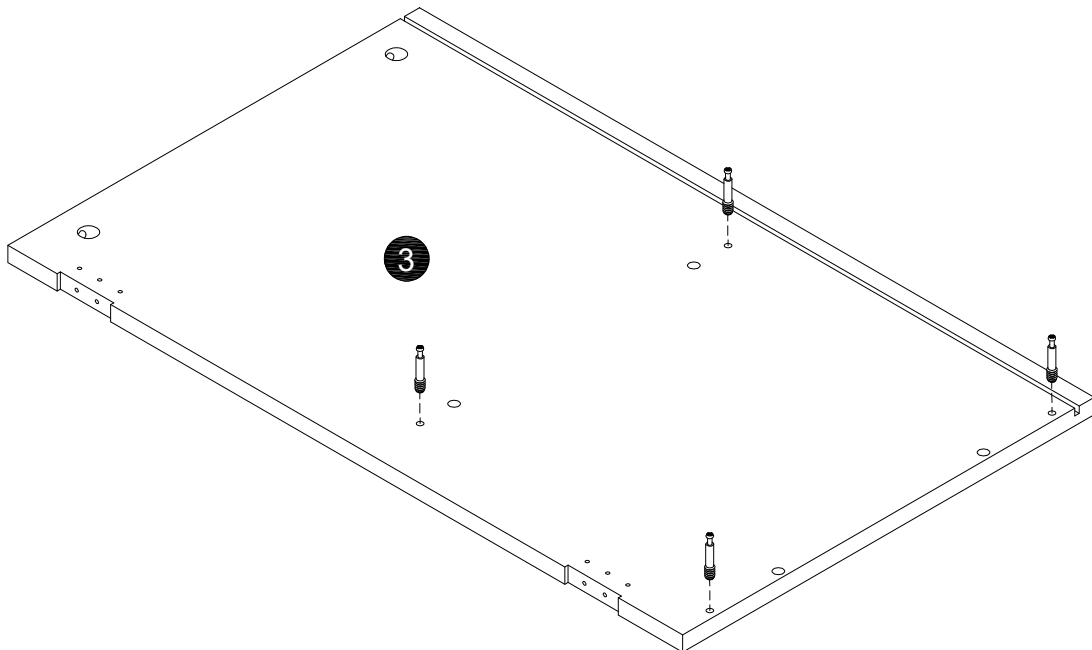
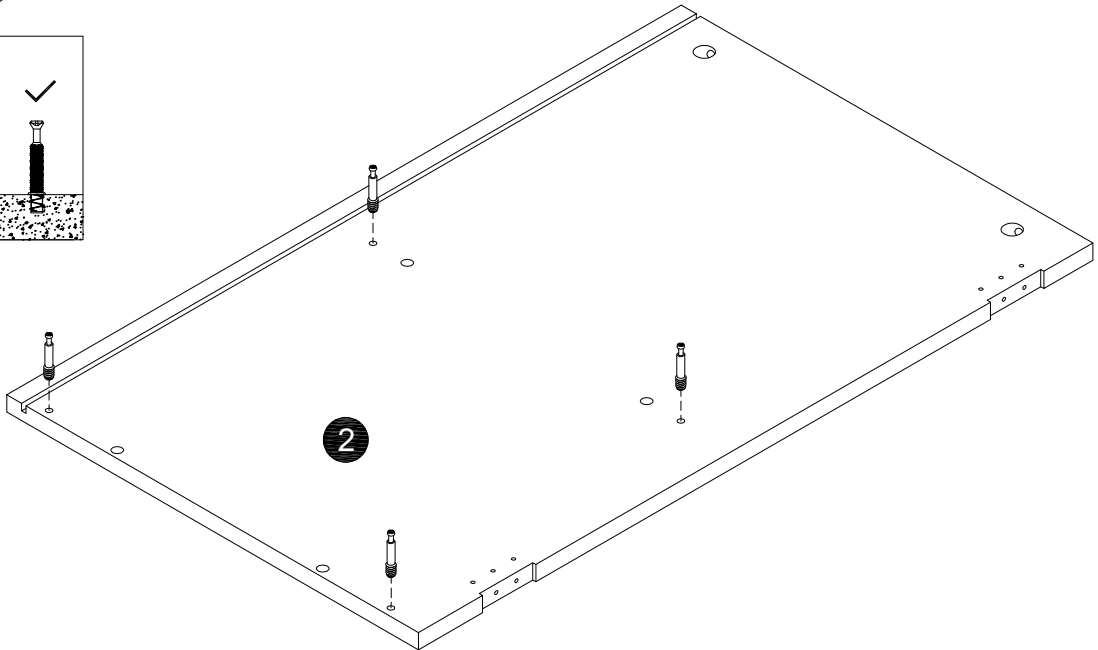
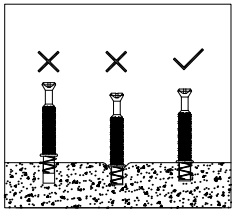
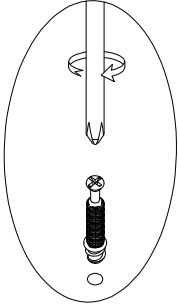
ID	Parts	QTY
E	SCREW	2
	 Ø3.5*14mm	
F	WOOD DOWEL	36 +2
	 Ø8*30mm	
G	CAM LOCK	50 +4
	 Ø15*9.5mm	
H	DRAWER SLIDE	2 SET
	 L300mm	
I	SCREW	17 +1
	 Ø4*30mm	
J	SOCKET	1
		
K	LED AND REMOTE	1 SET
		

ID	Parts	QTY
L	CABLE CLAMP	3
		
M	METAL PLATE	2
		
N	BUTT HINGE	4
		
O	ANTI - TIP KIT	2 SET
		
P	PLASTIC CORNER BRACE	16
		
Q	SCREW	50 +4
	 Ø3*12mm	
R	SCREW	1
		

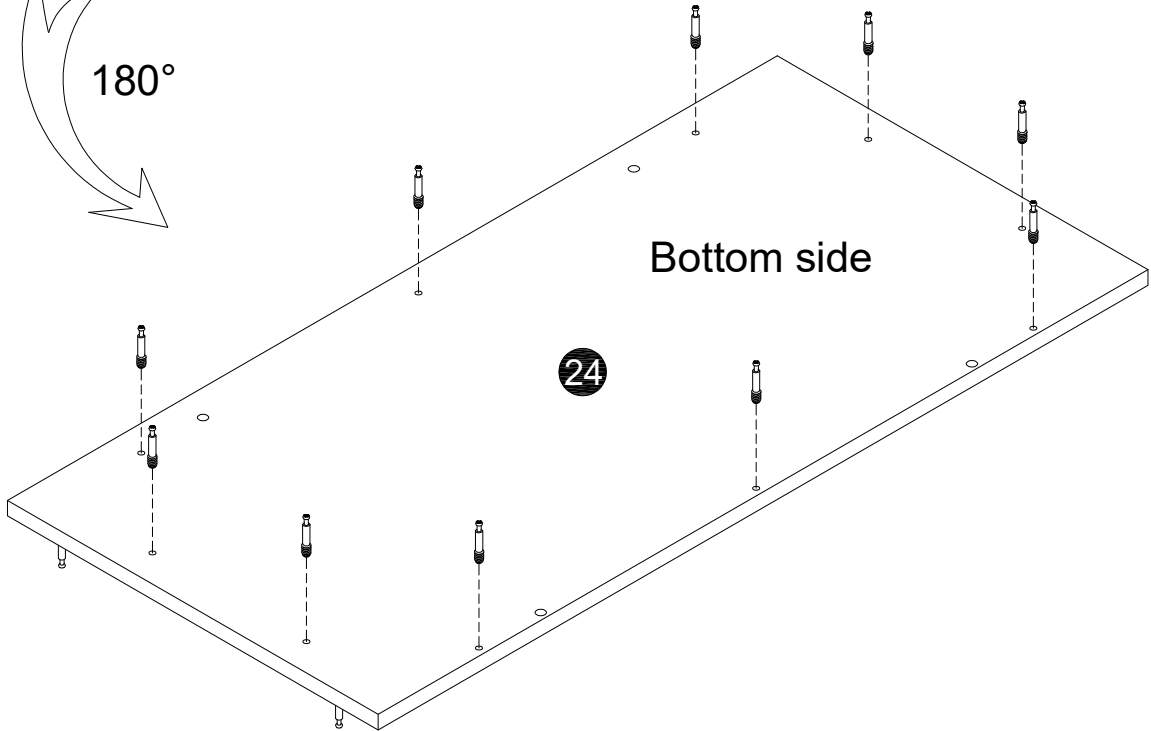
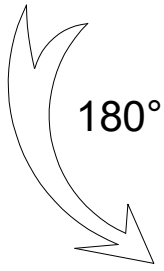
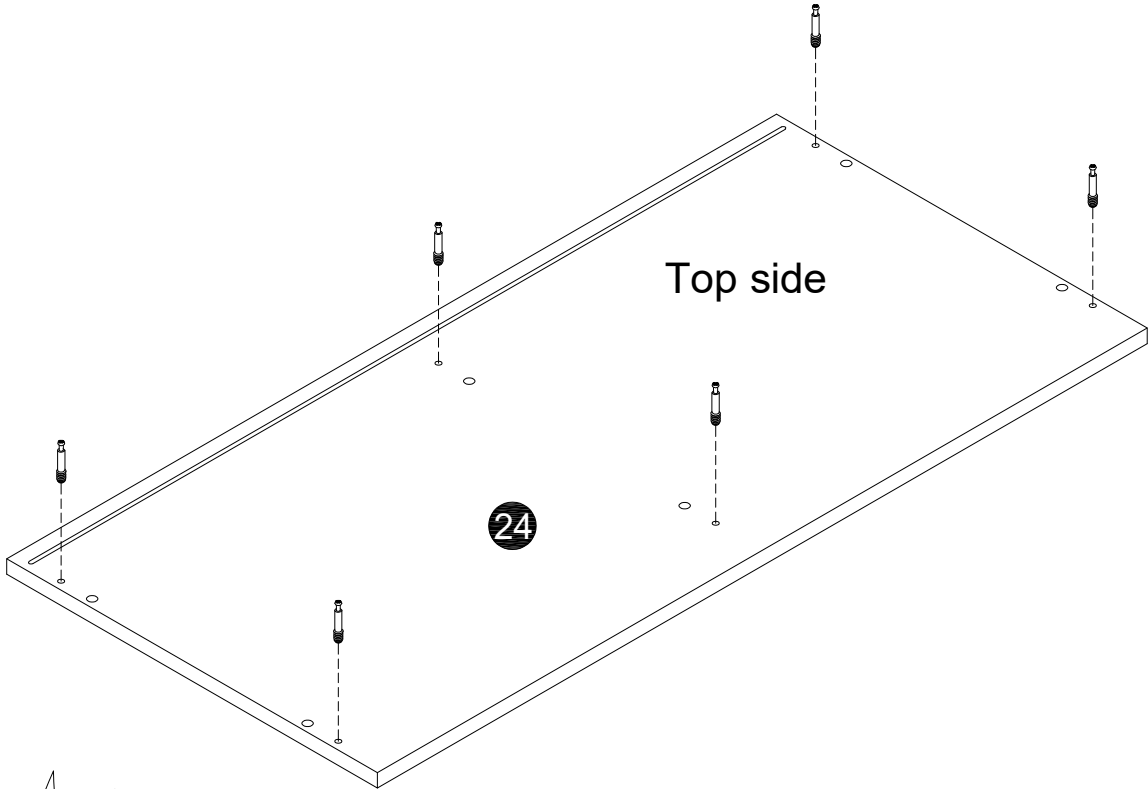


STEP 1 **A** x8

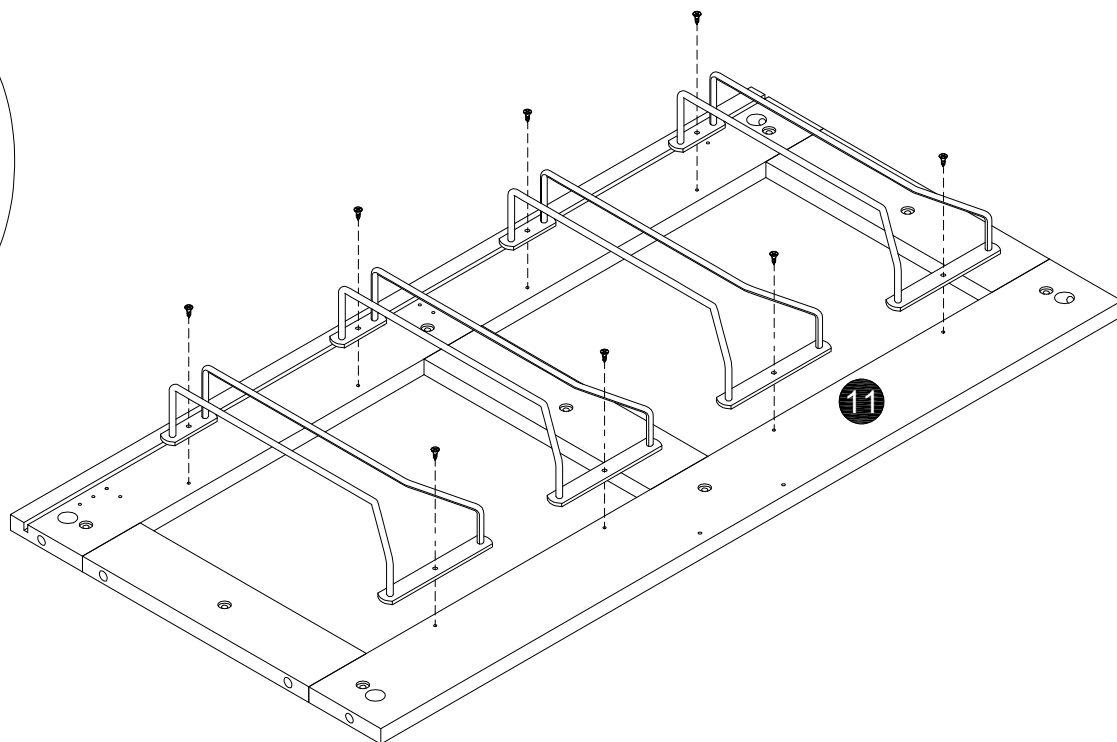
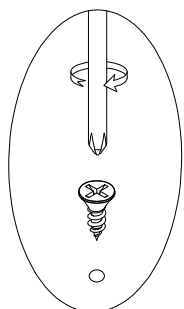
Turn the screw clockwise as viewed



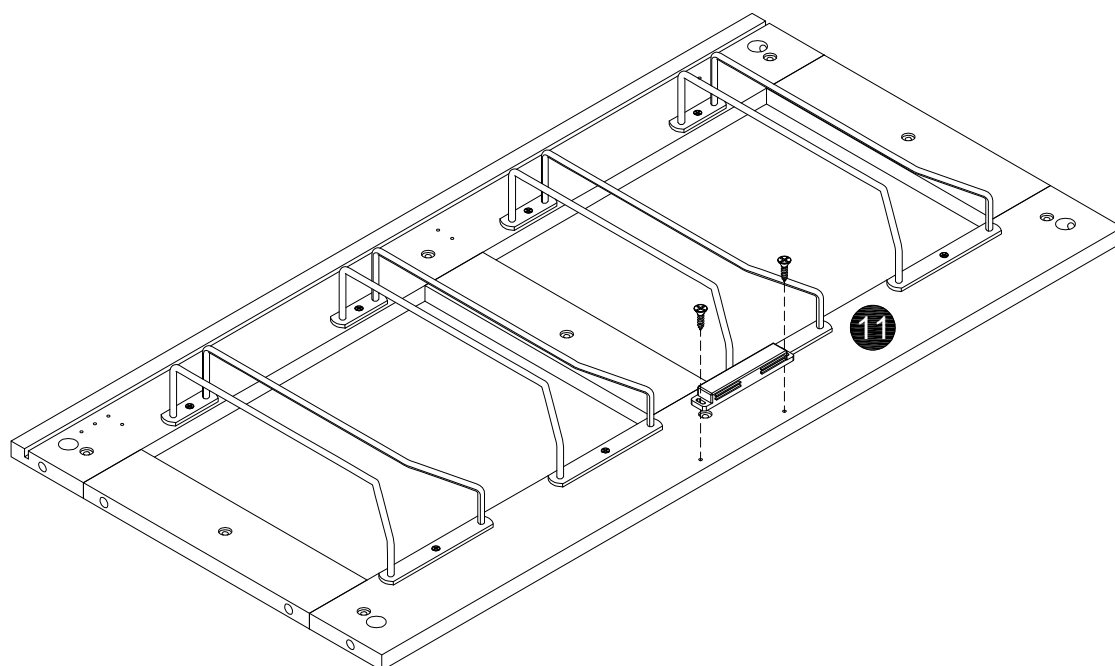
STEP 2

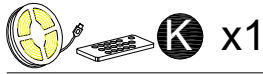


STEP 3



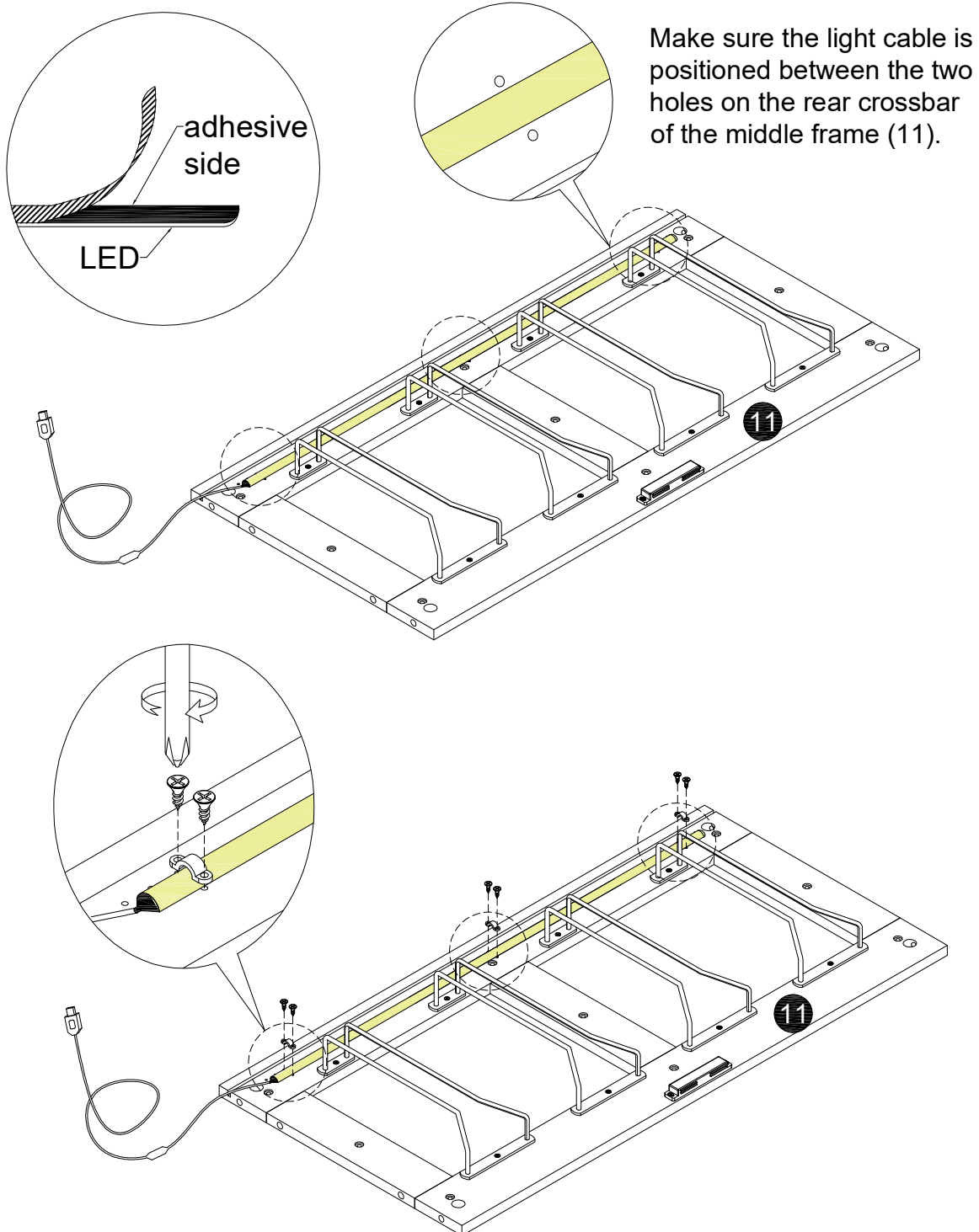
STEP 4



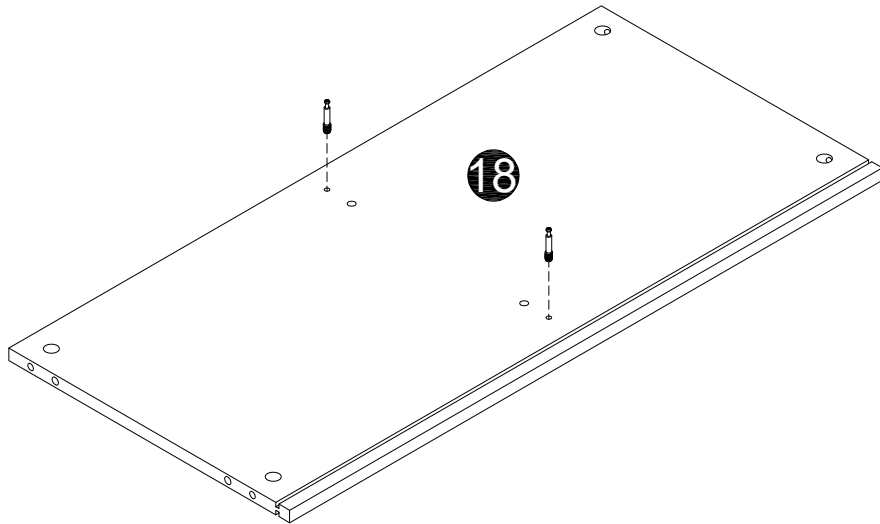
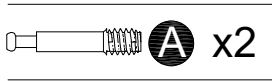
STEP 5

***Note:** The light cable can be attached from left to right or in the opposite direction, depending on your needs.

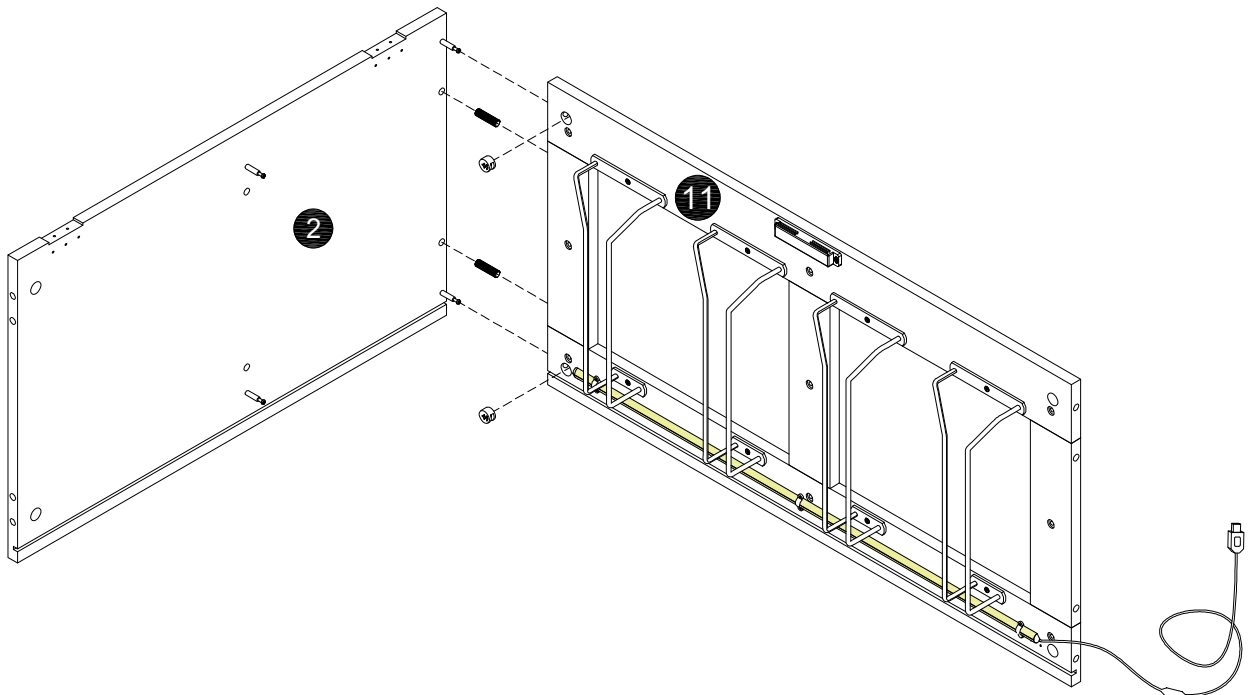
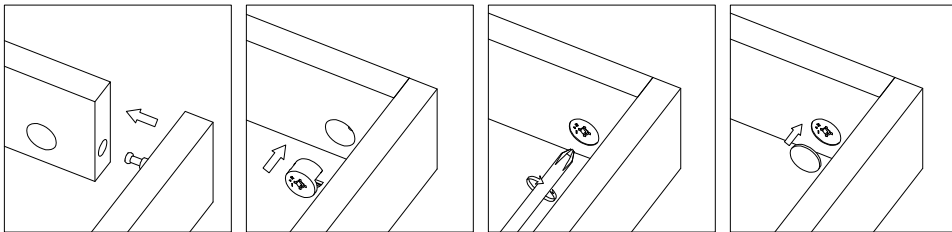
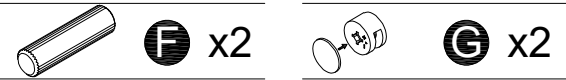
Peel off the adhesive backing on the LED light strip and attach it to the rear crossbar of the middle frame (11), behind the glass holder

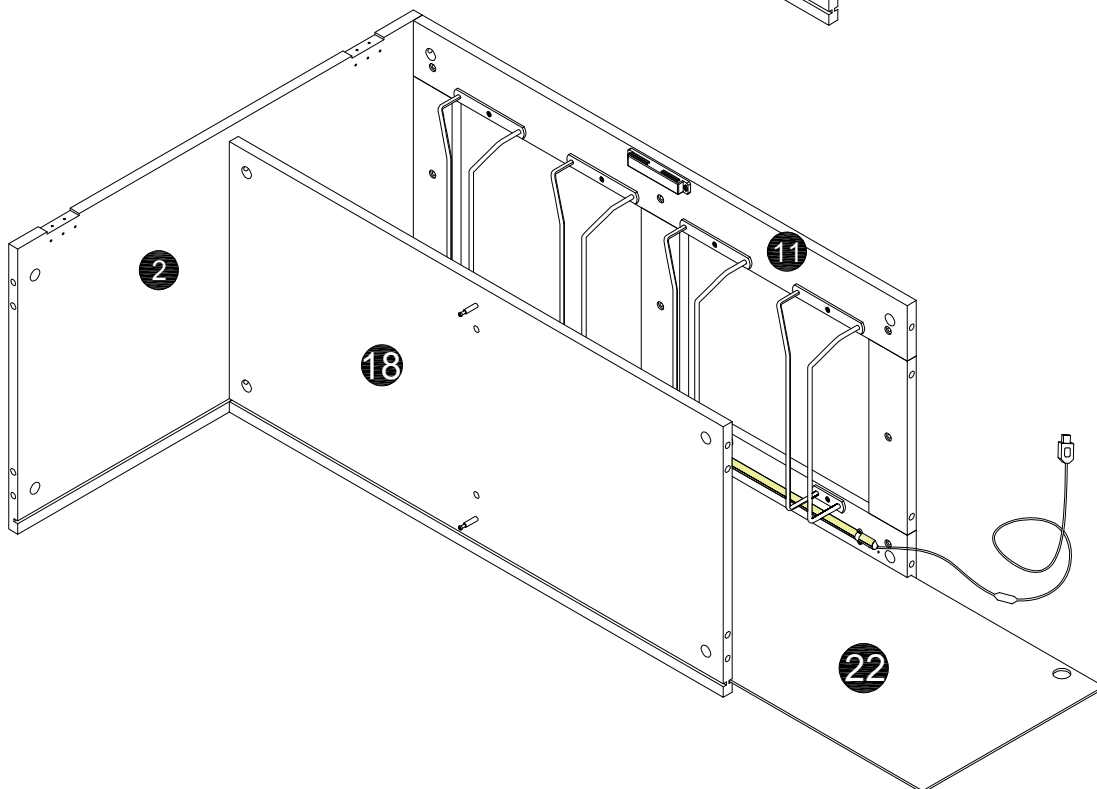
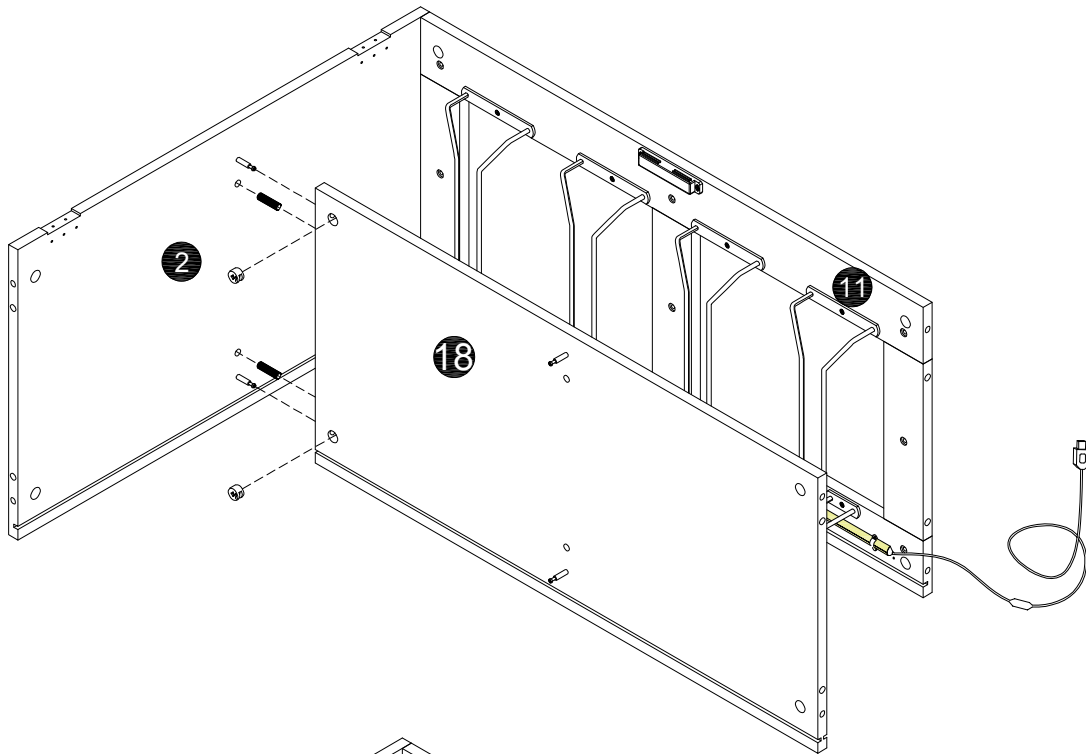
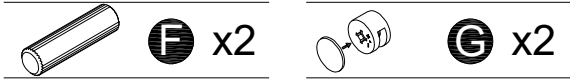


STEP 6

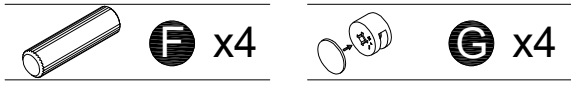


STEP 7

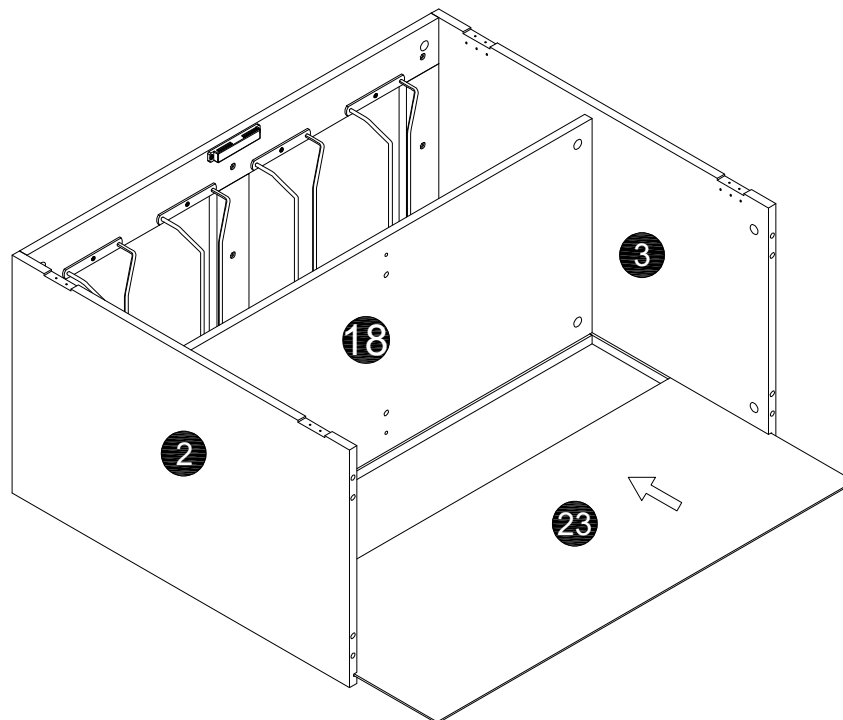
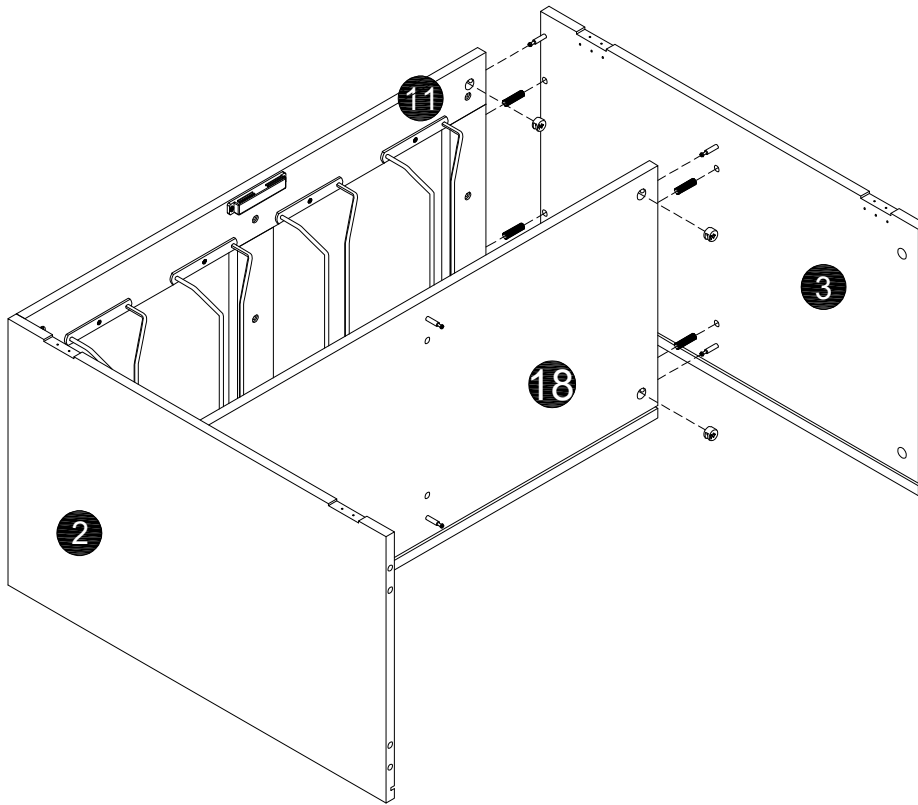


STEP 8

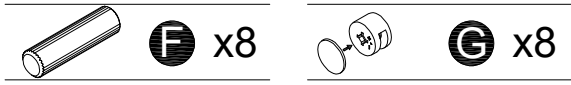
STEP 9



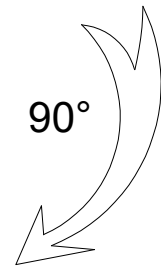
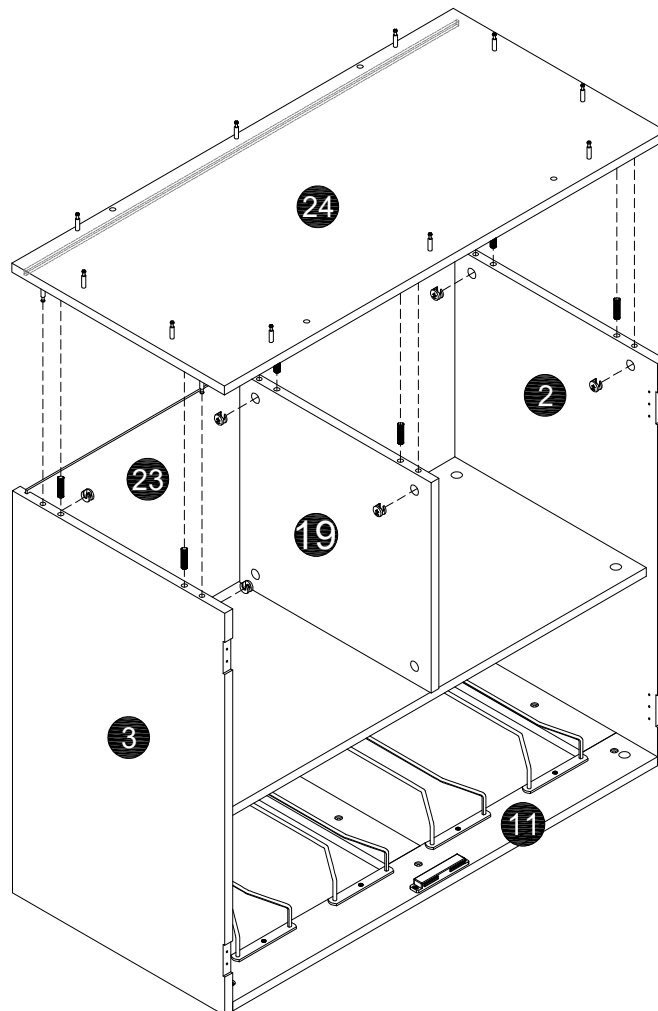
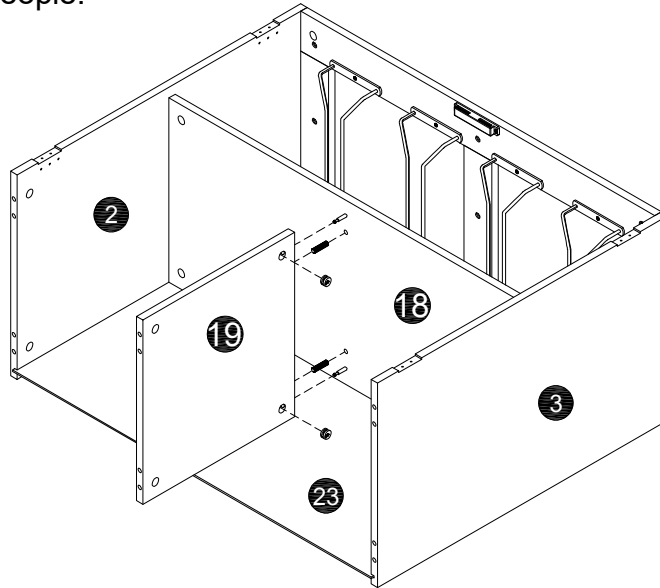
This step requires two people.



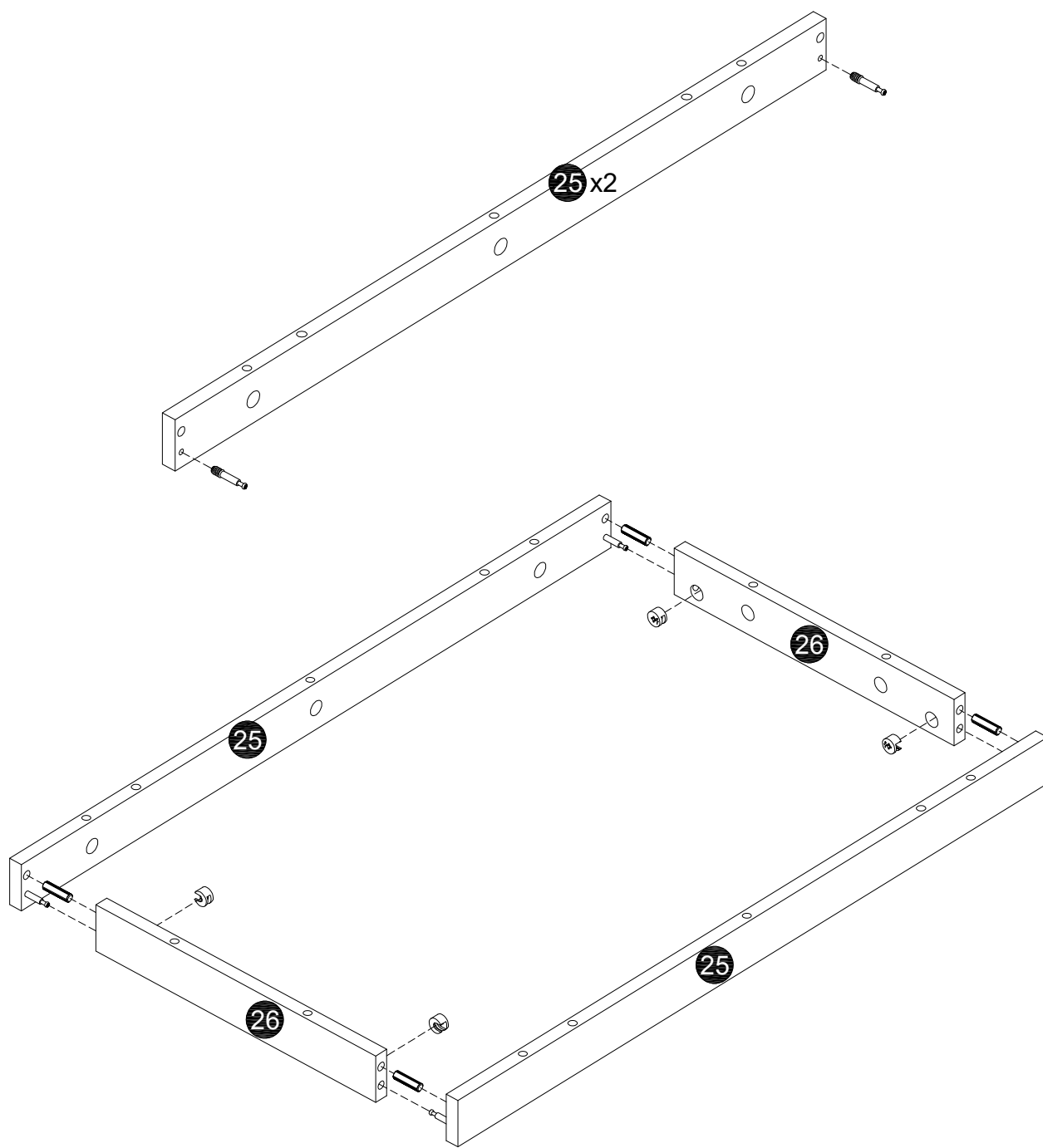
STEP 10



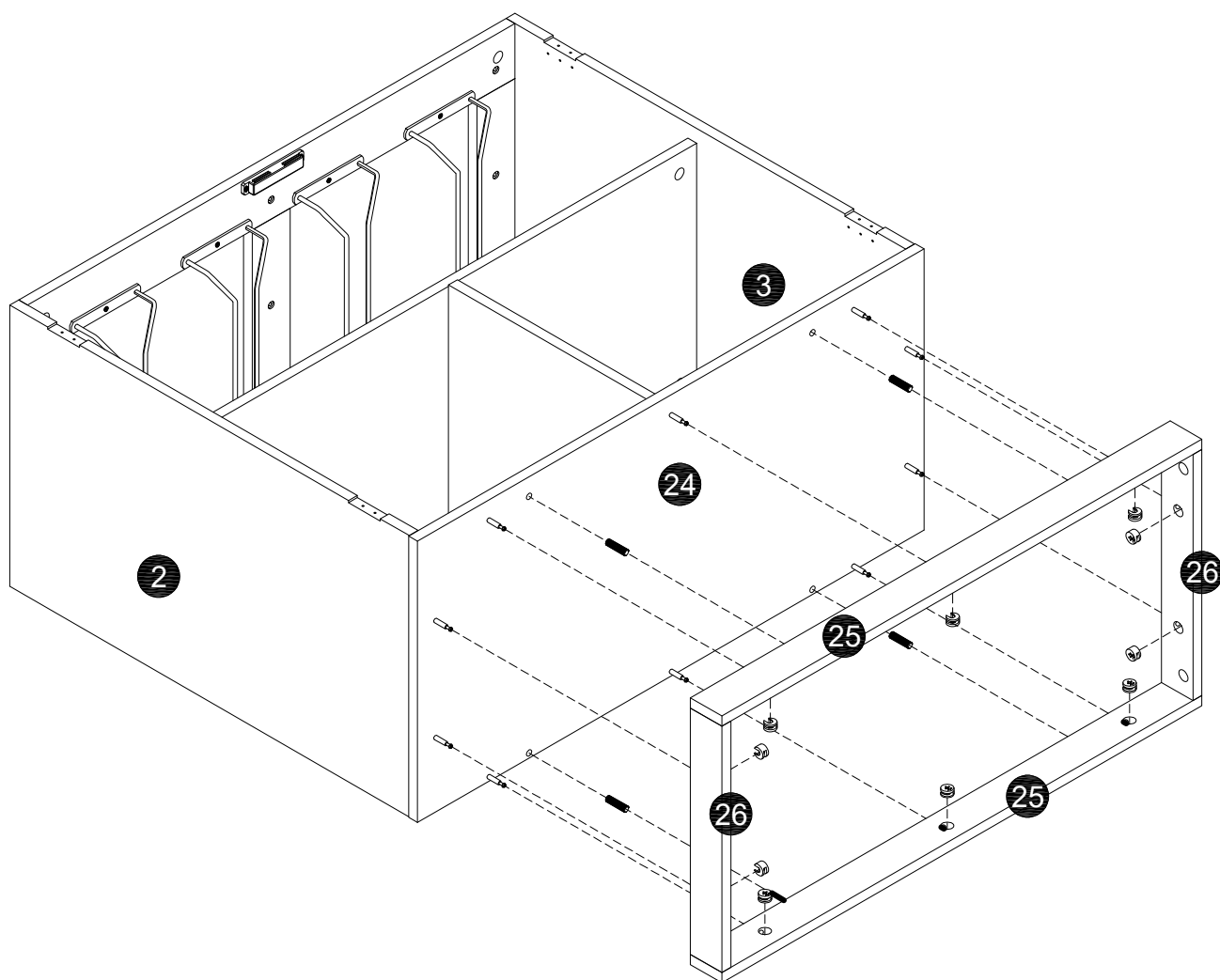
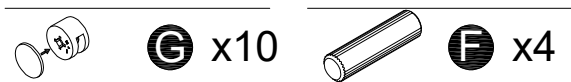
This step requires two people.



STEP 11



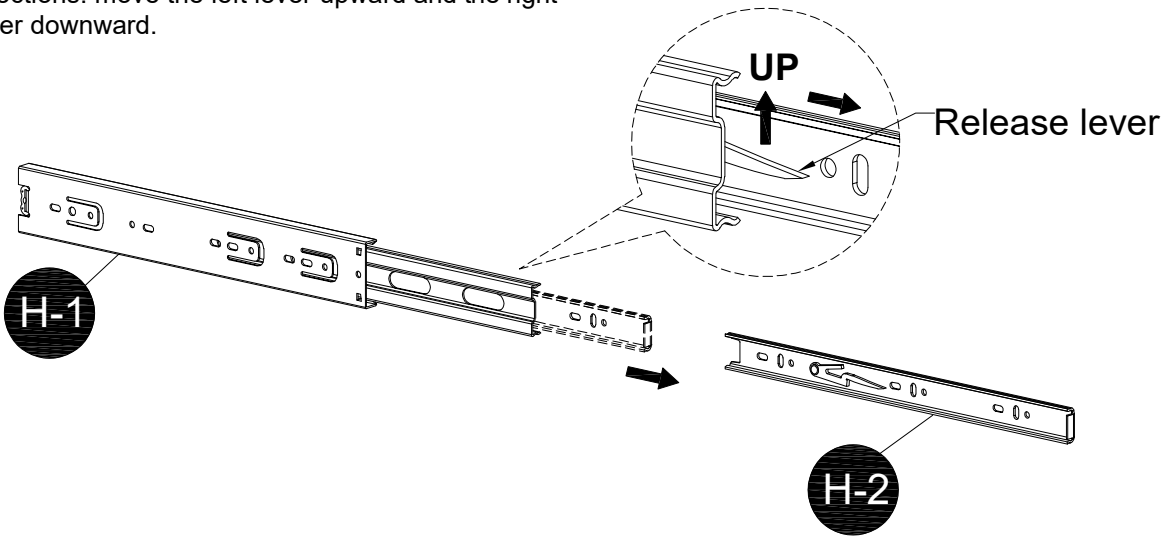
STEP 12



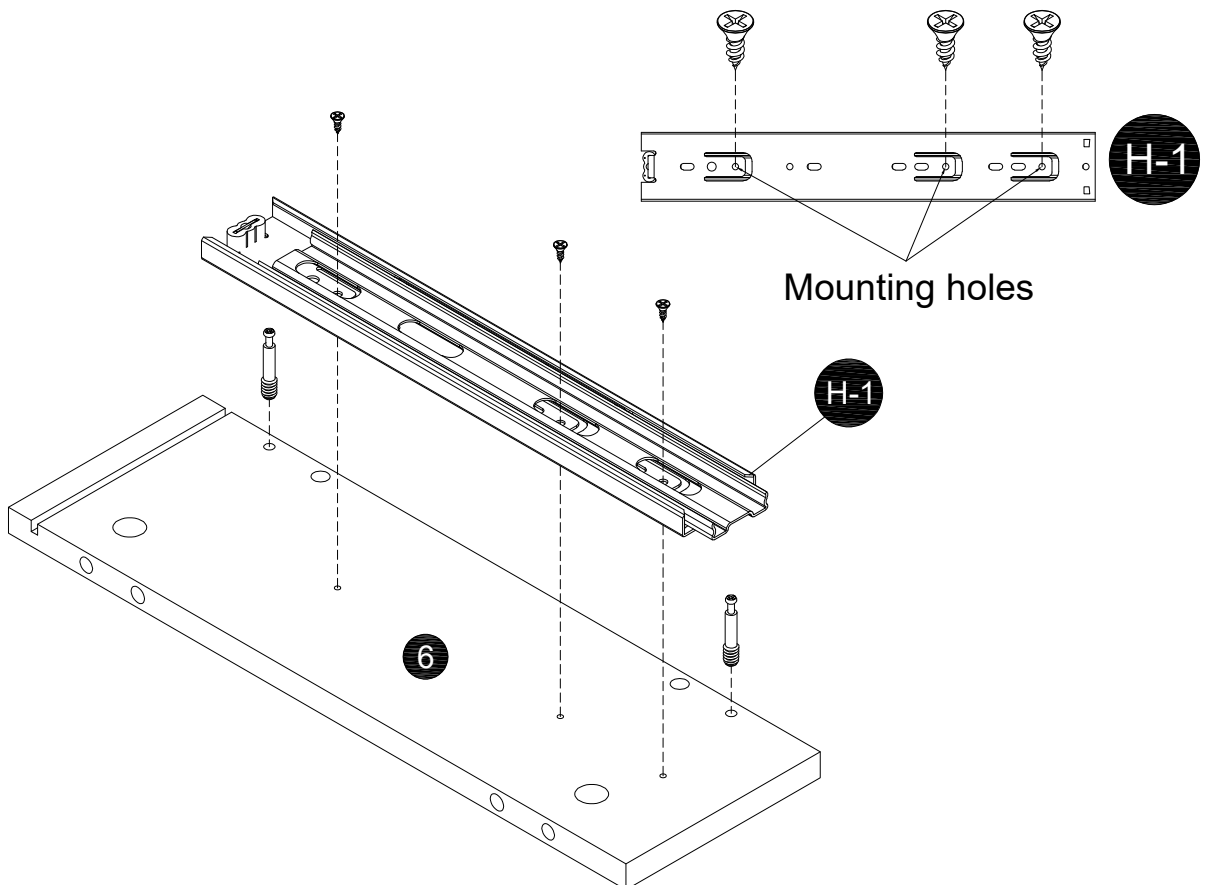
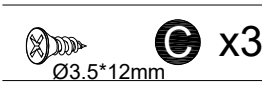
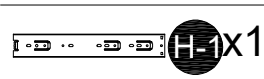
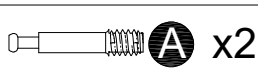
STEP 13

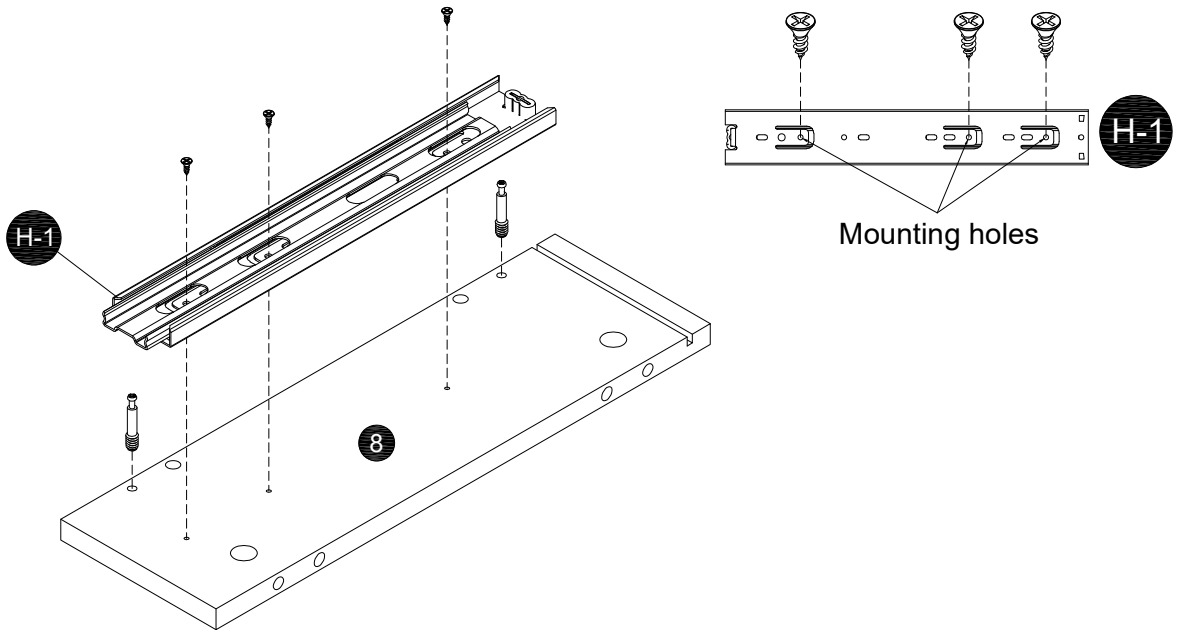
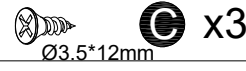
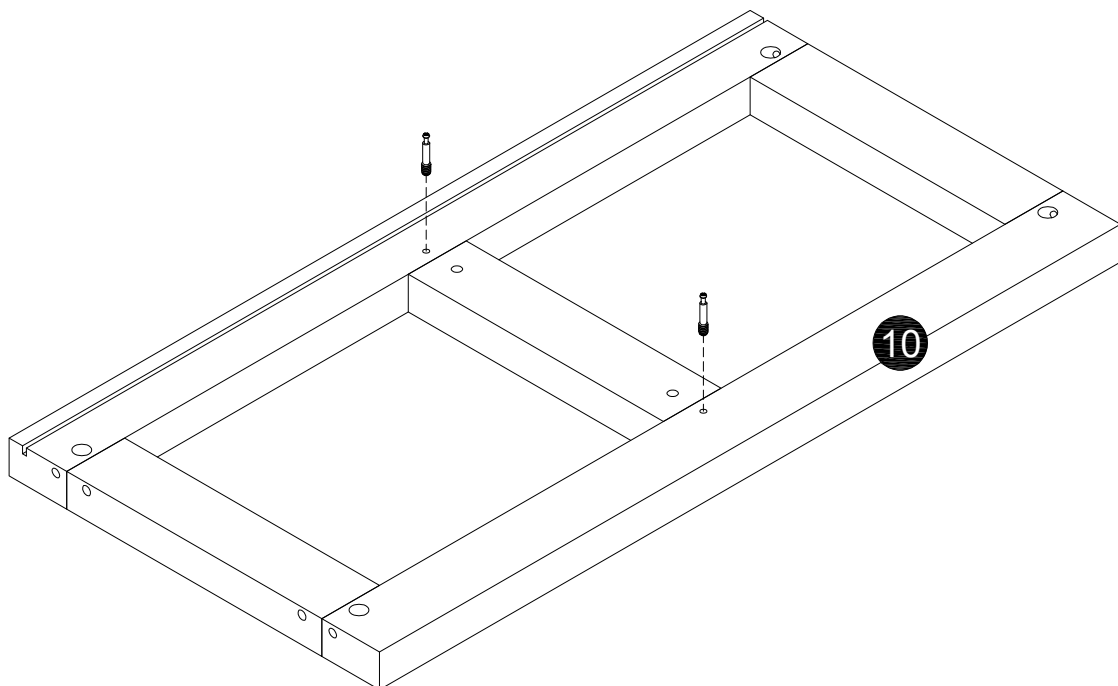


The left and right release levers operate in opposite directions: move the left lever upward and the right lever downward.

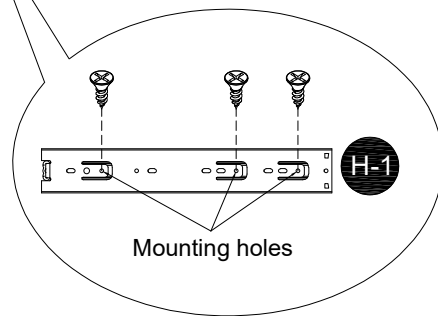
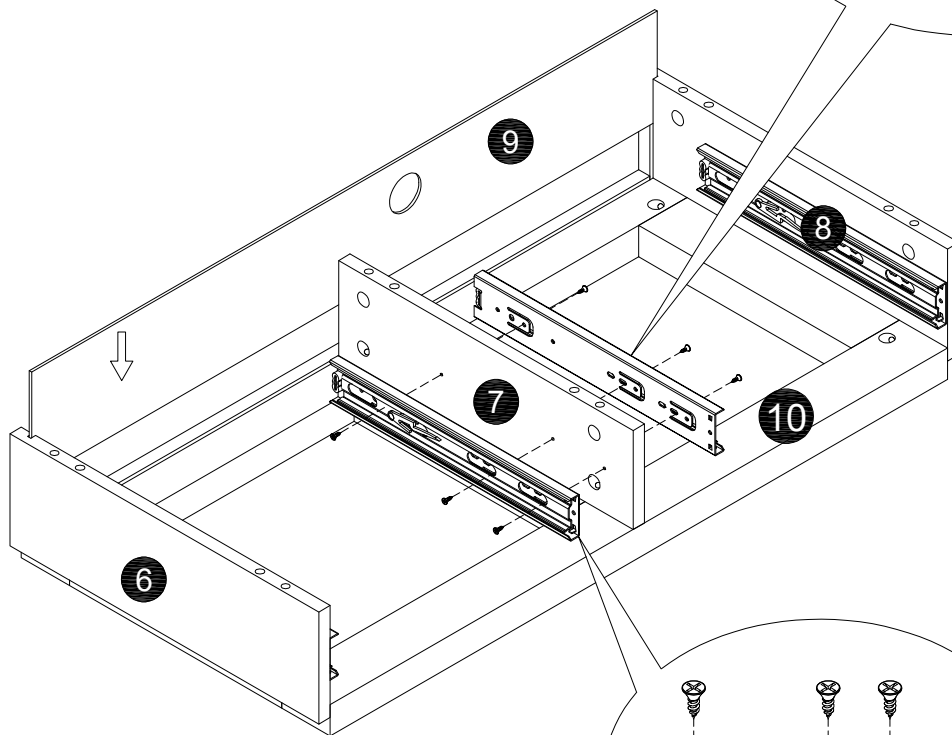
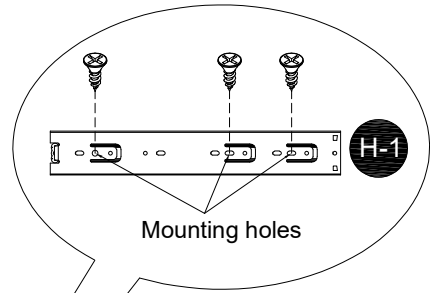
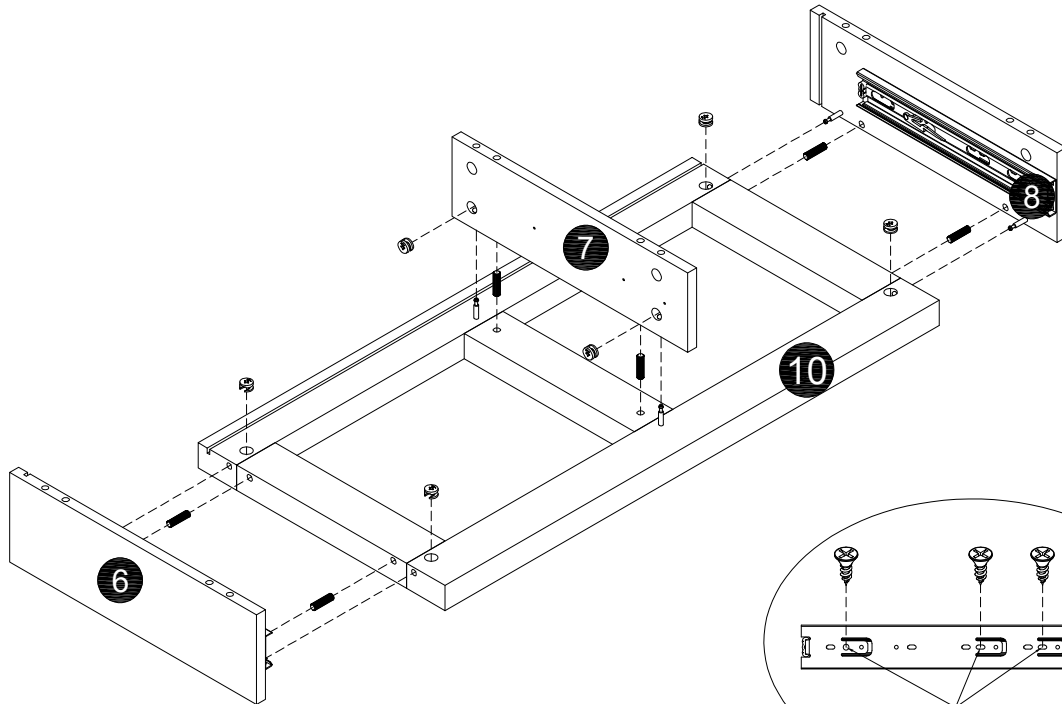
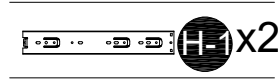


STEP 14



STEP 15**STEP 16**

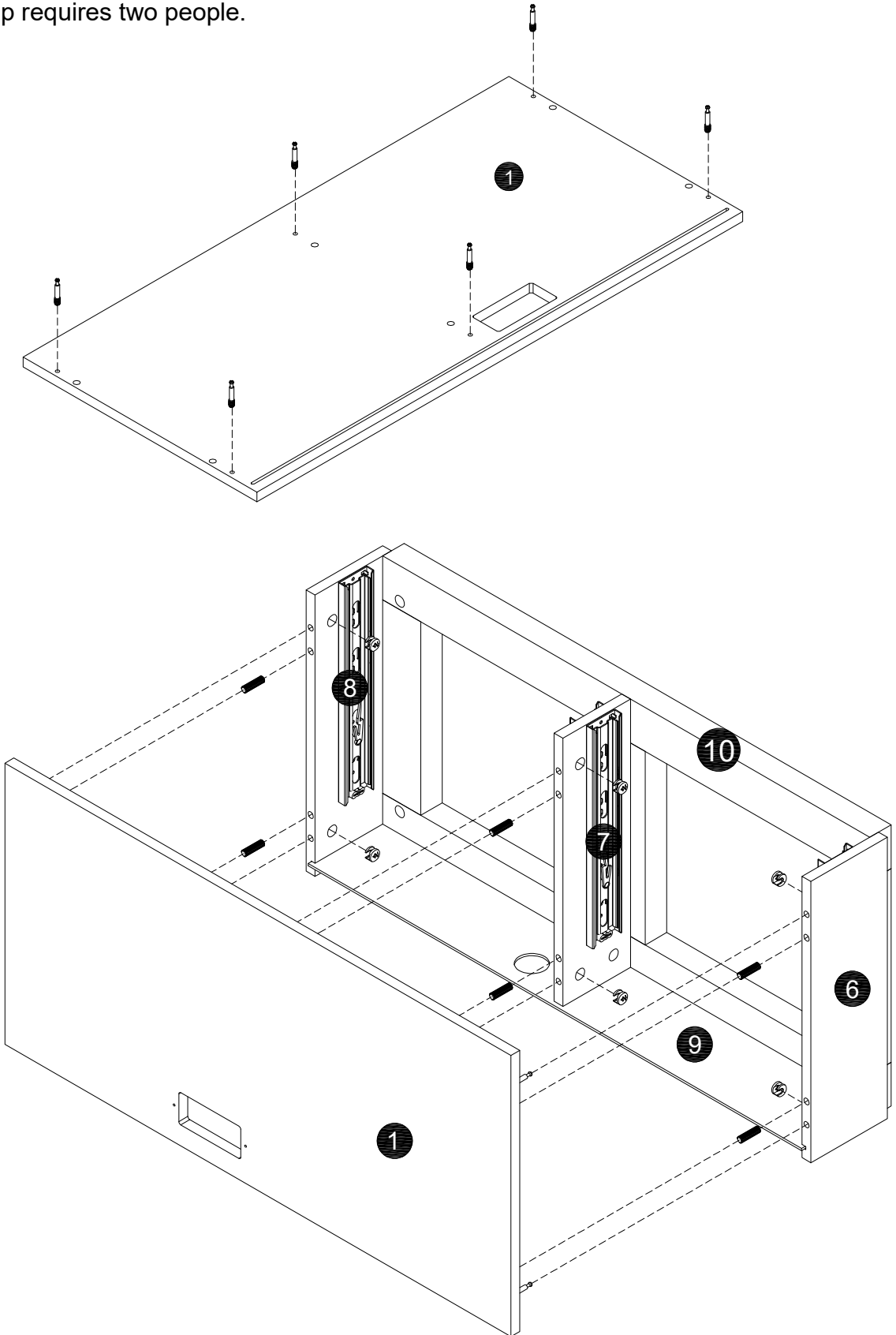
STEP 17



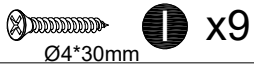
STEP 18



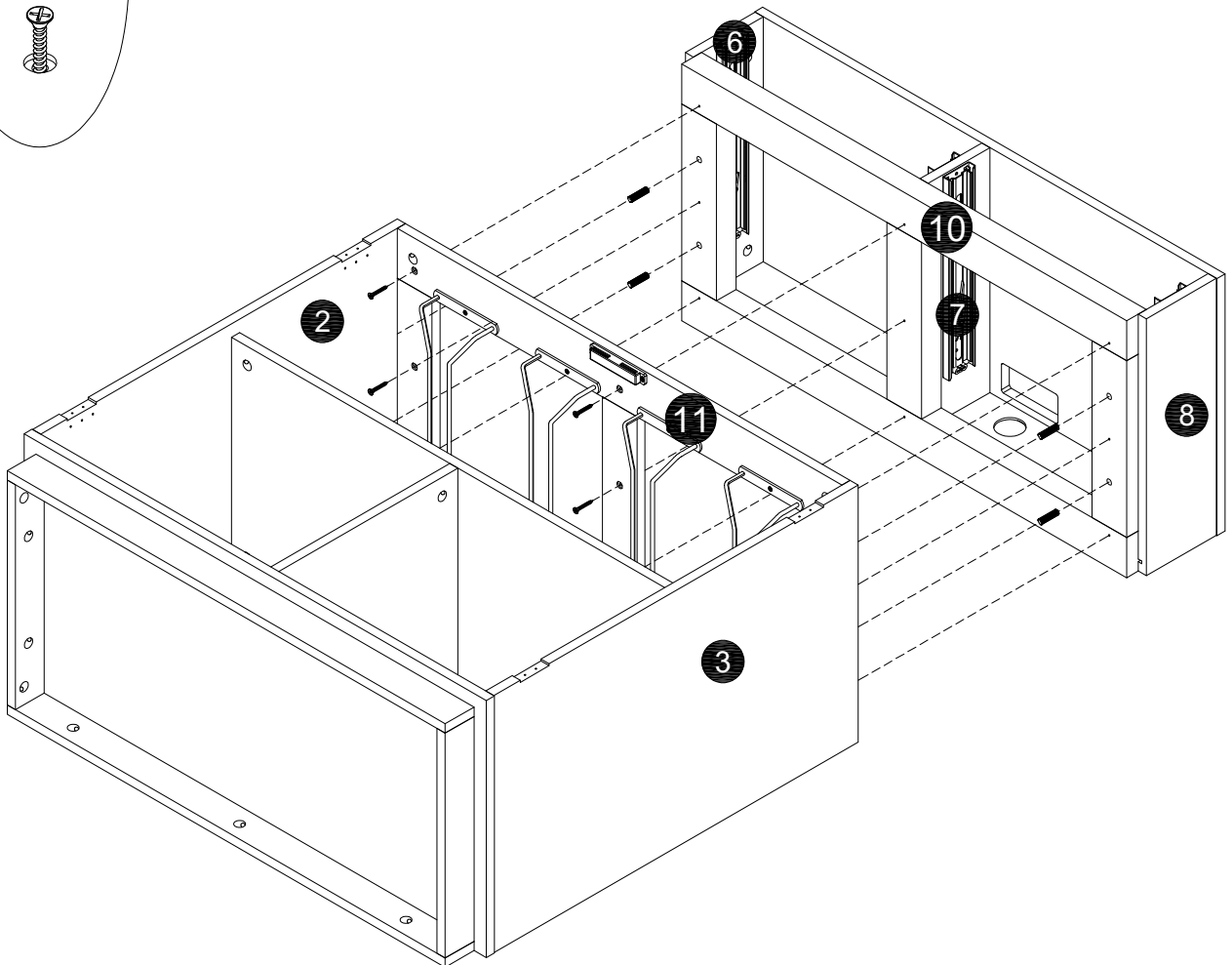
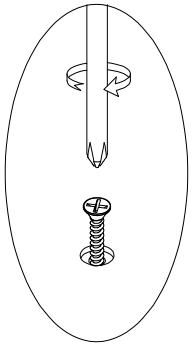
This step requires two people.



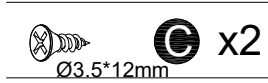
STEP 19



This step requires two people.

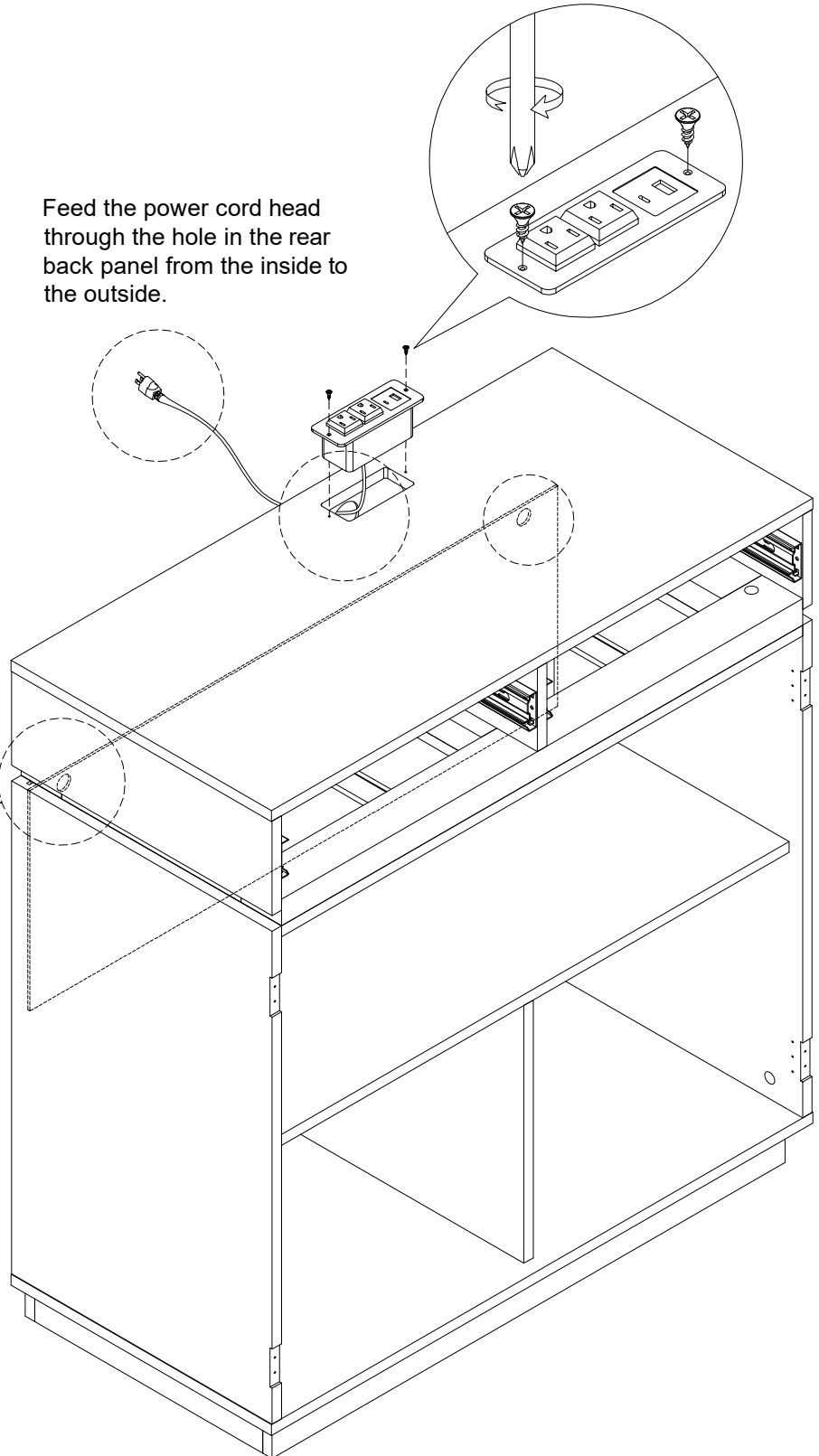
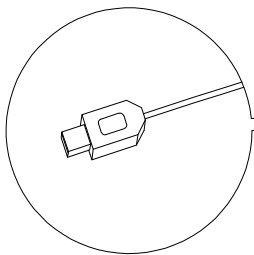


STEP 20

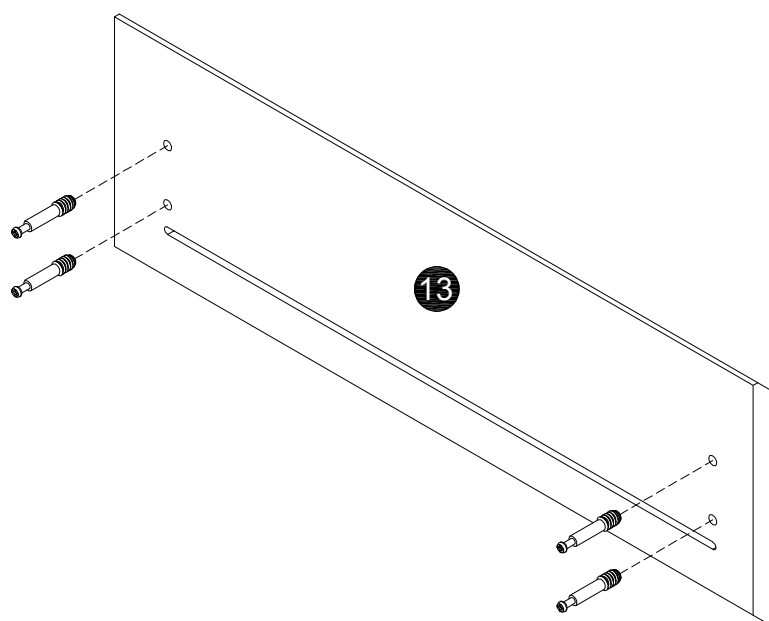
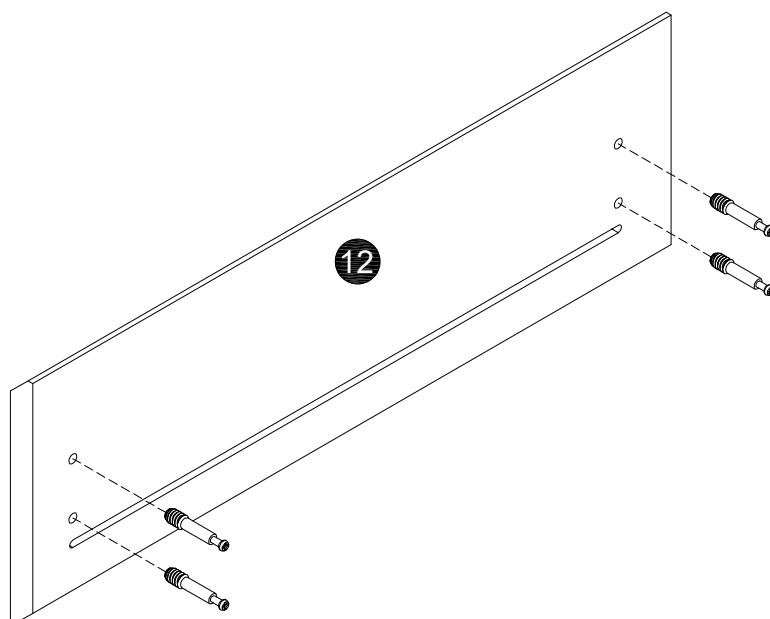
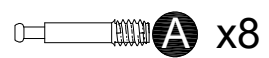


Feed the power cord head through the hole in the rear back panel from the inside to the outside.

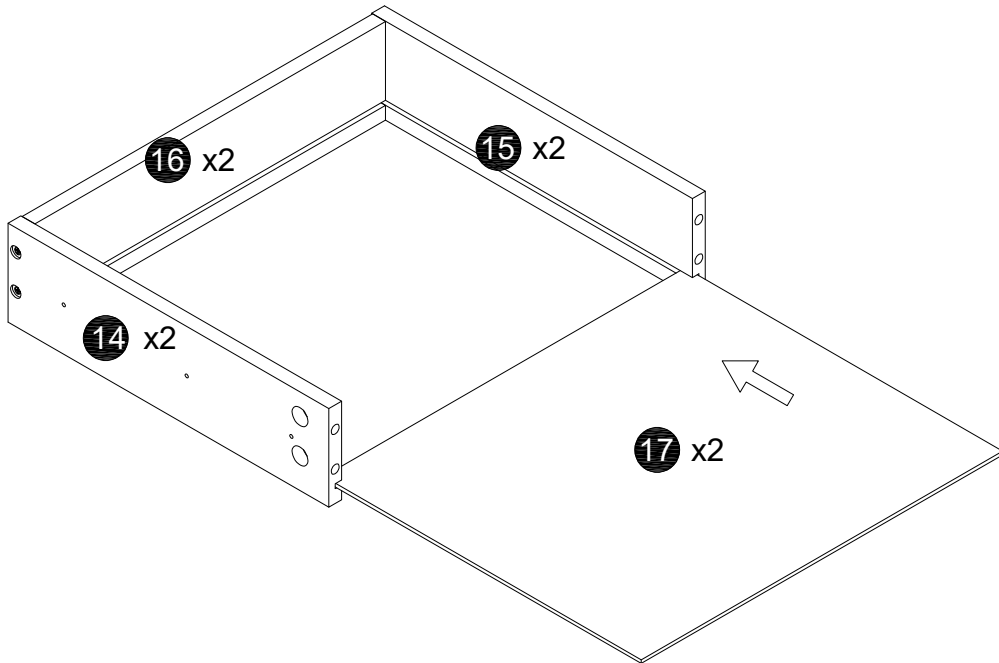
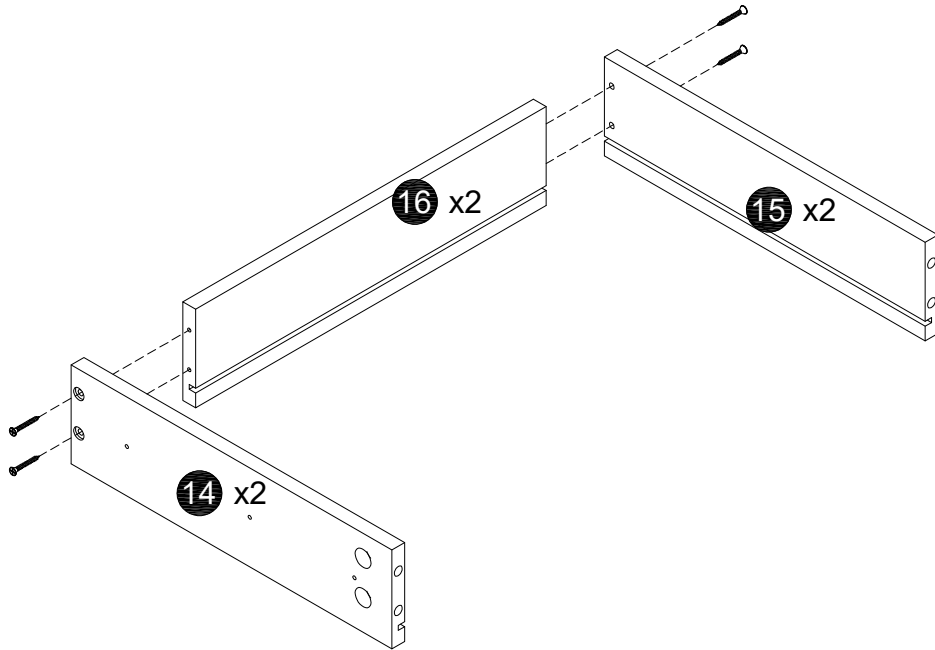
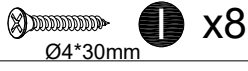
The head of the light cable should be inserted through the drilled hole on the middle back panel (22), either on the left or right side, depending on the installation direction of the light.



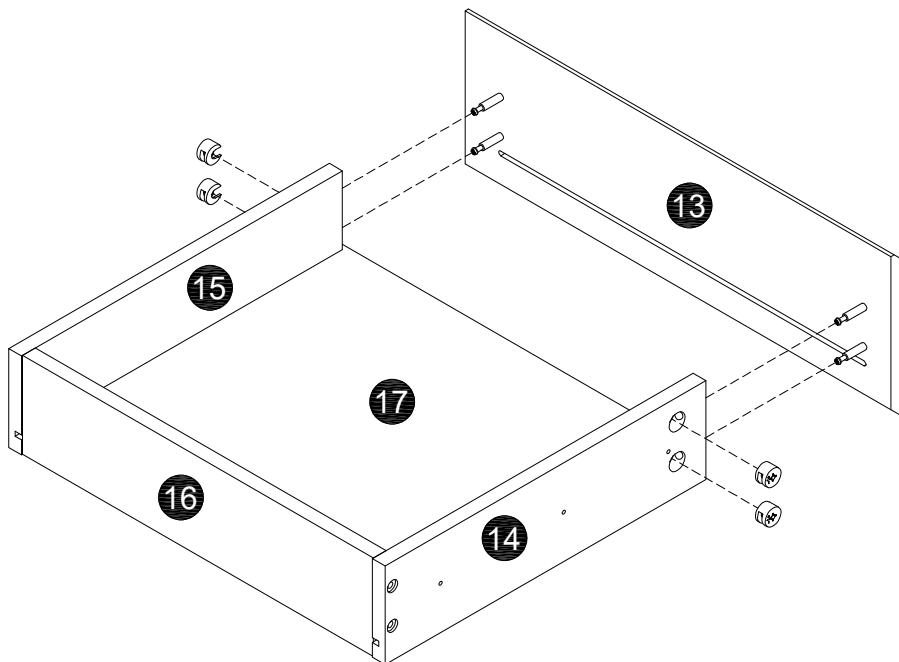
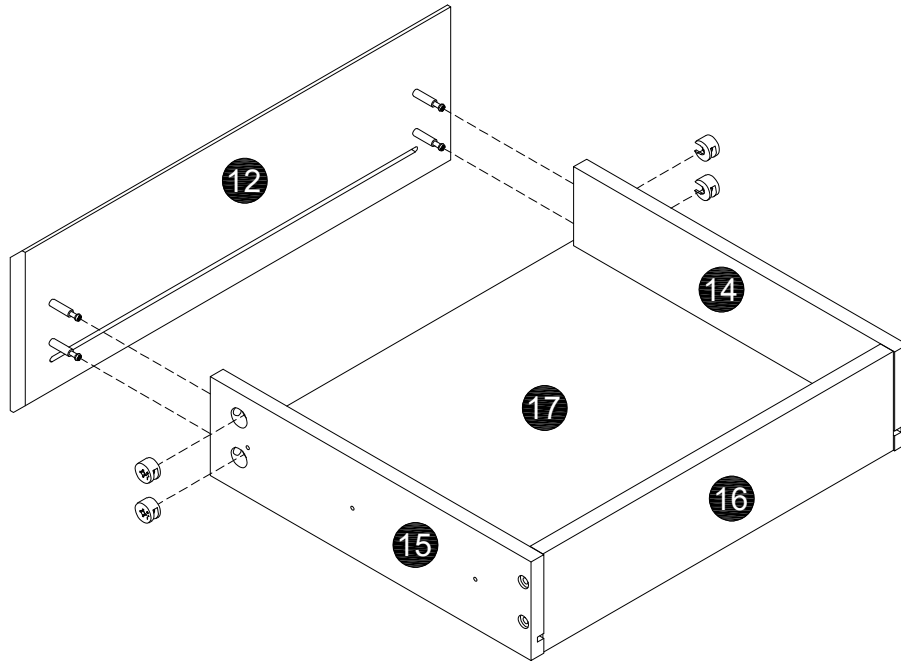
STEP 21



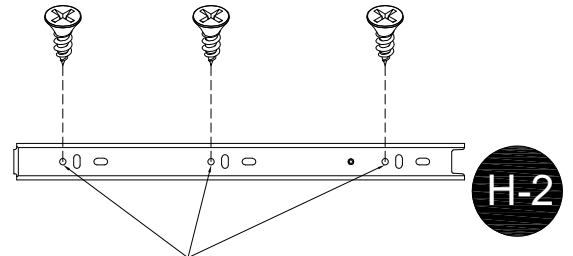
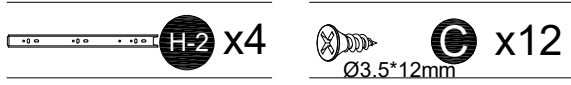
STEP 22



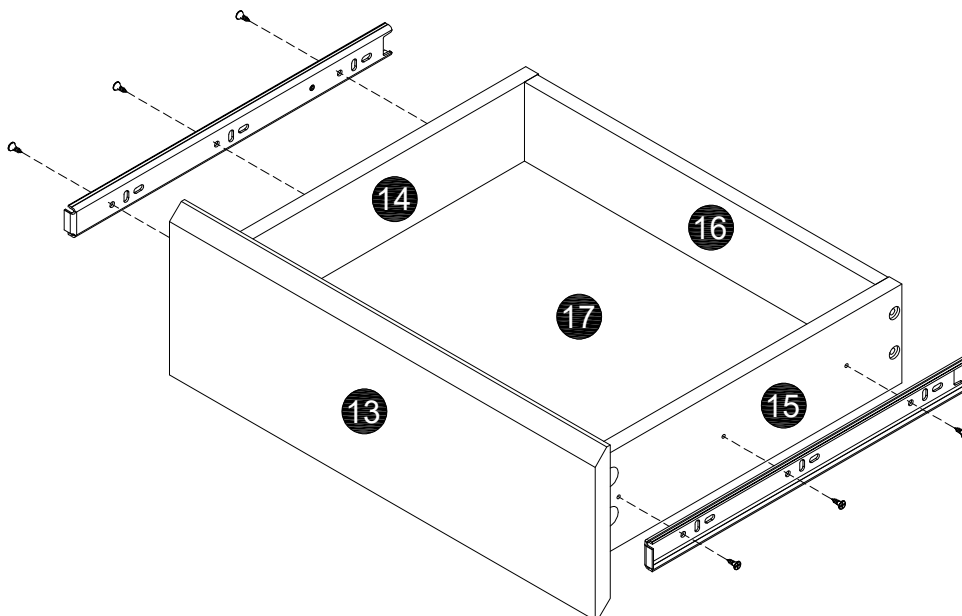
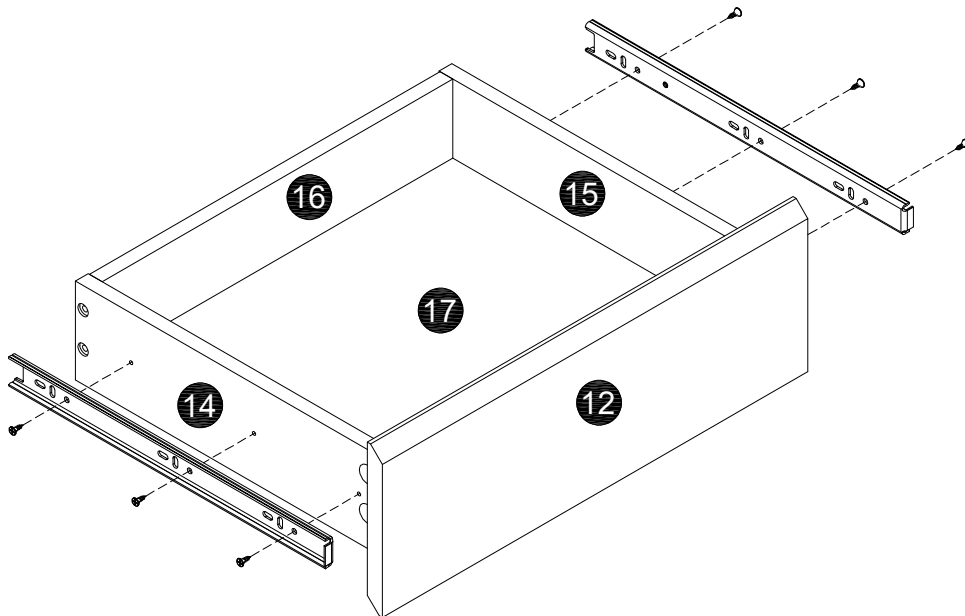
STEP 23

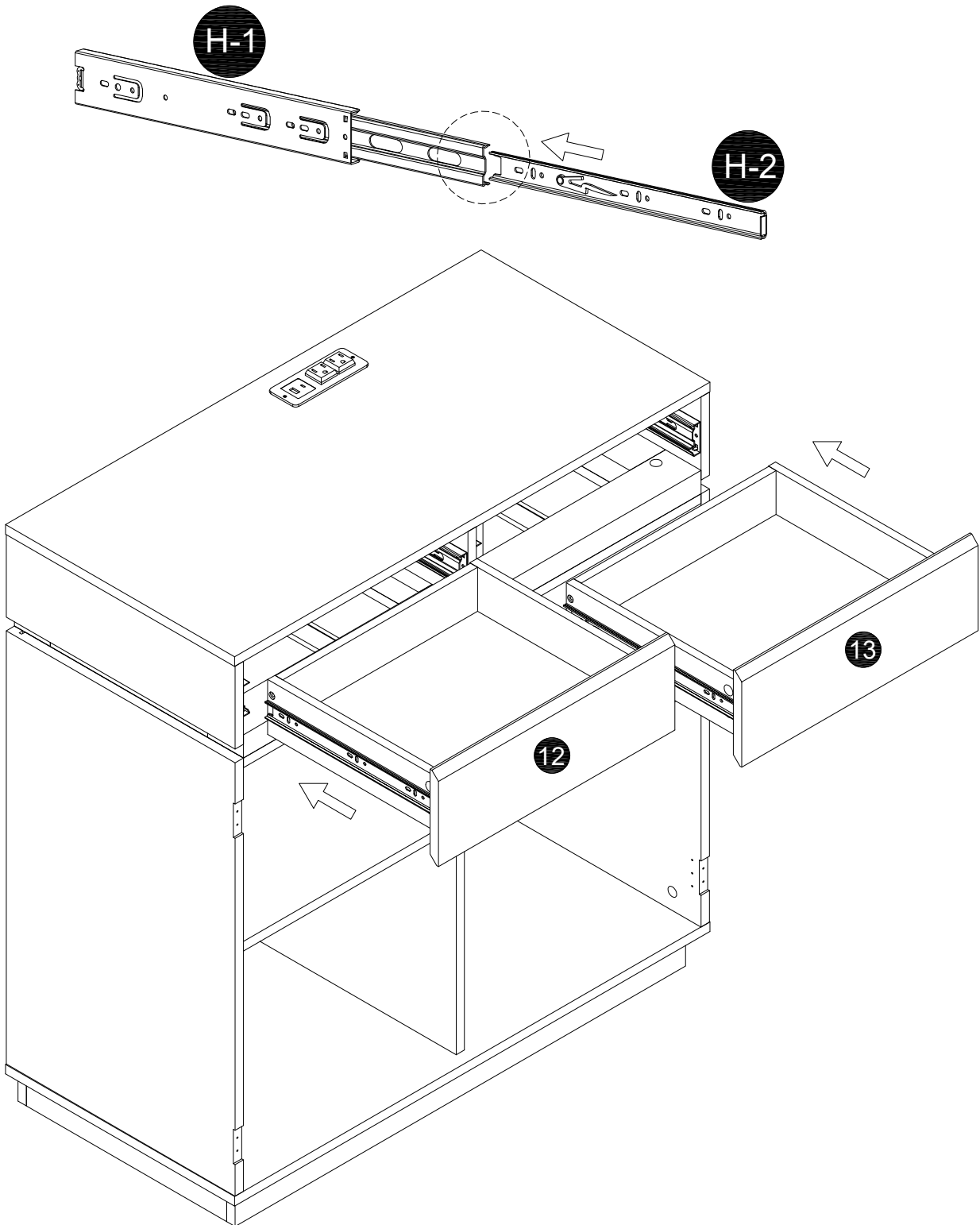


STEP 24



Mounting holes



STEP 25

STEP 26



M x2

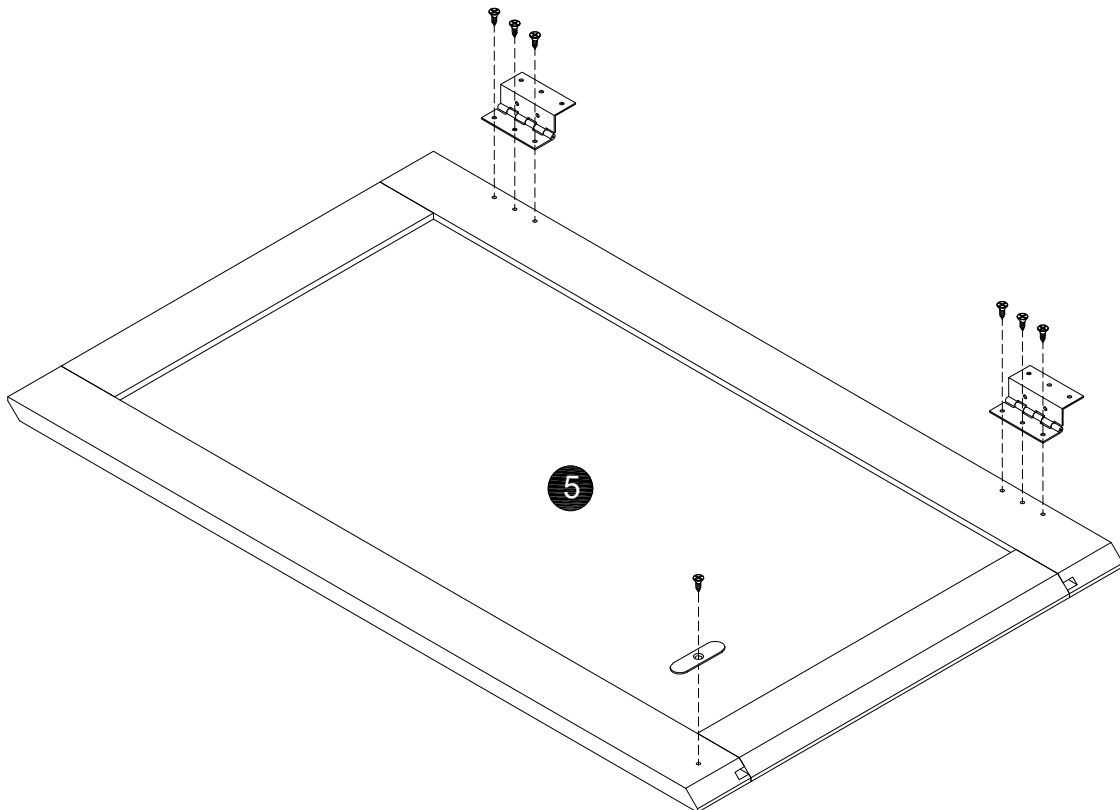
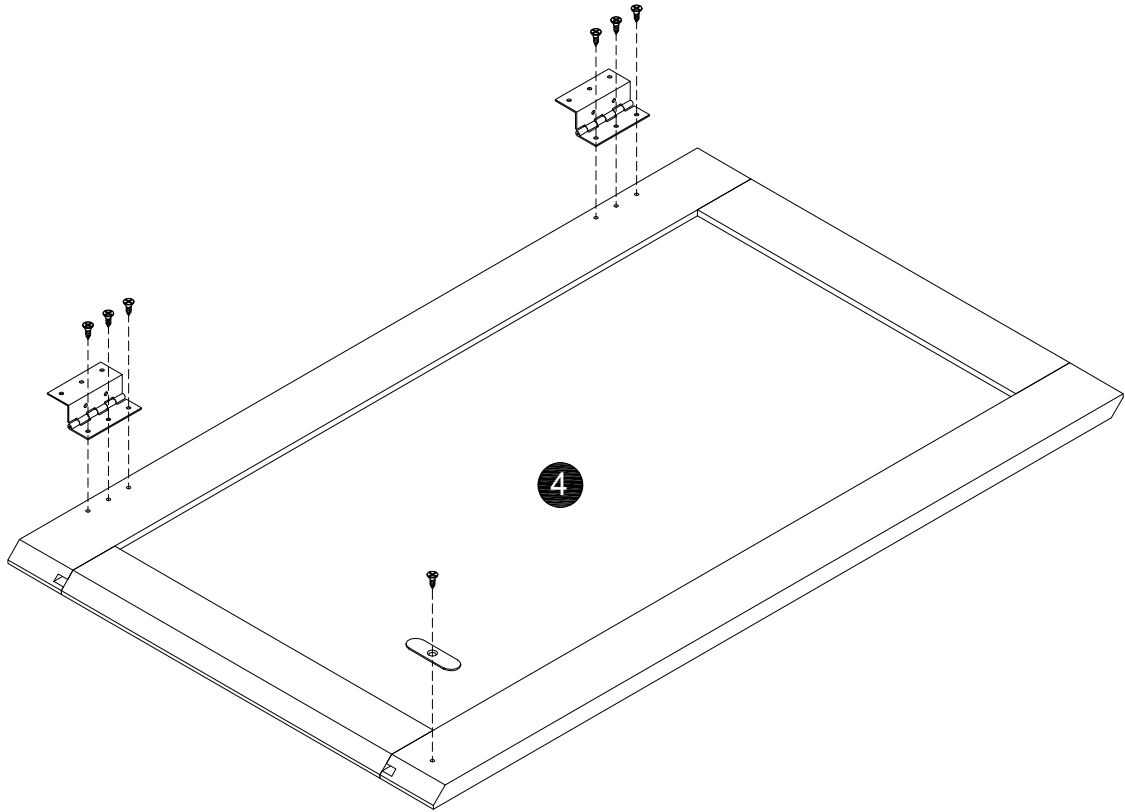


Ø3*12mm

Q x14



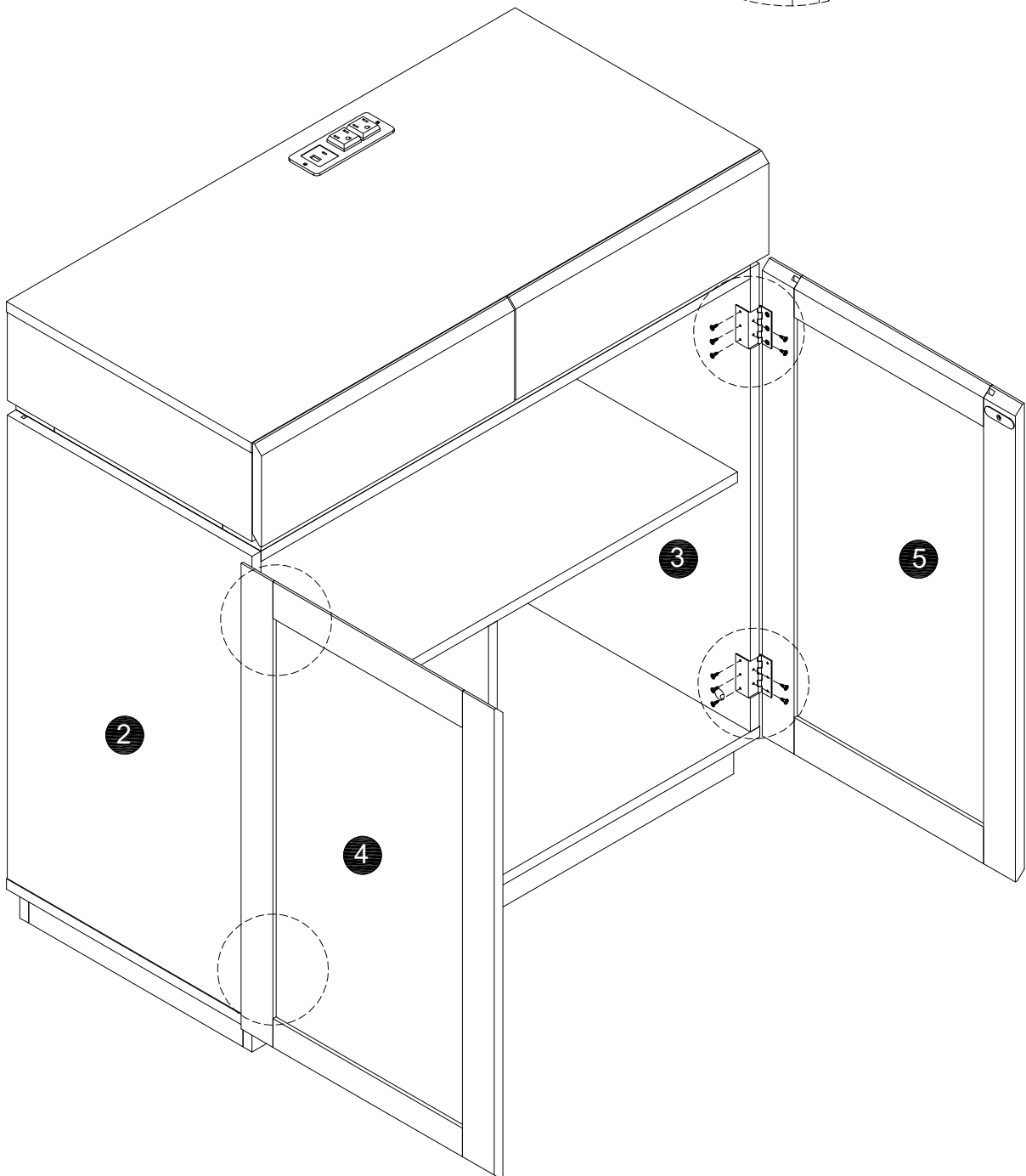
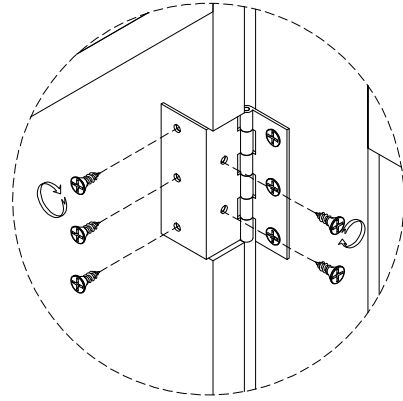
N x4

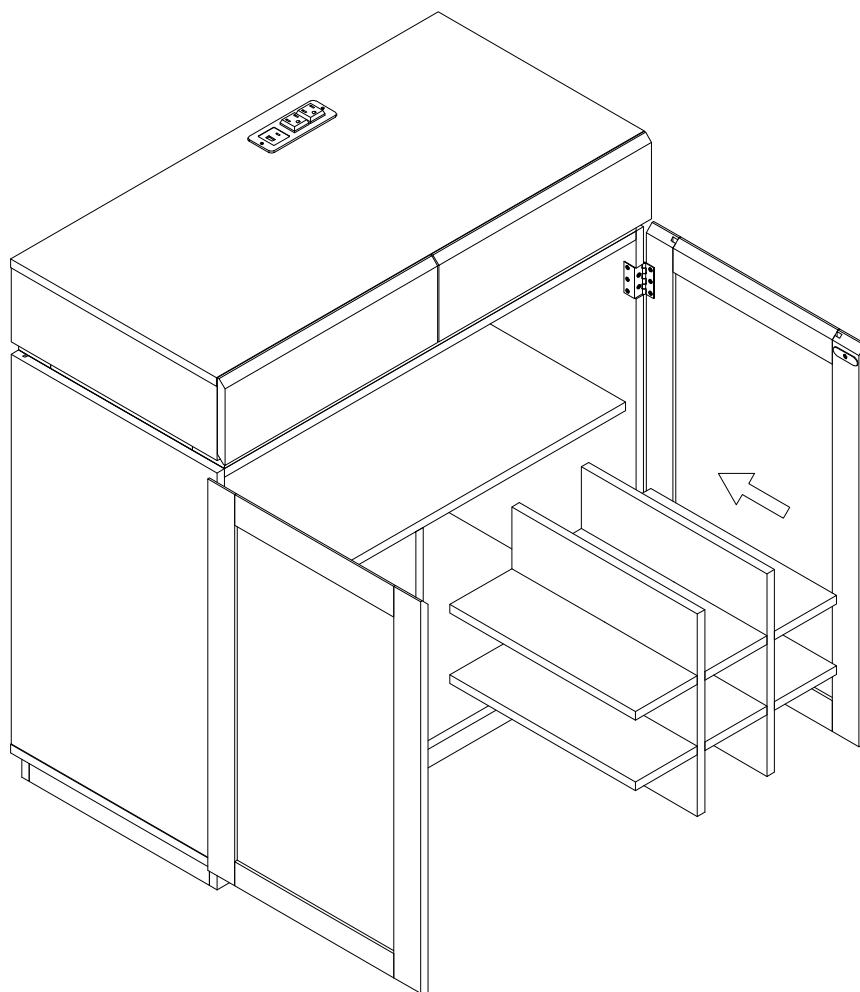
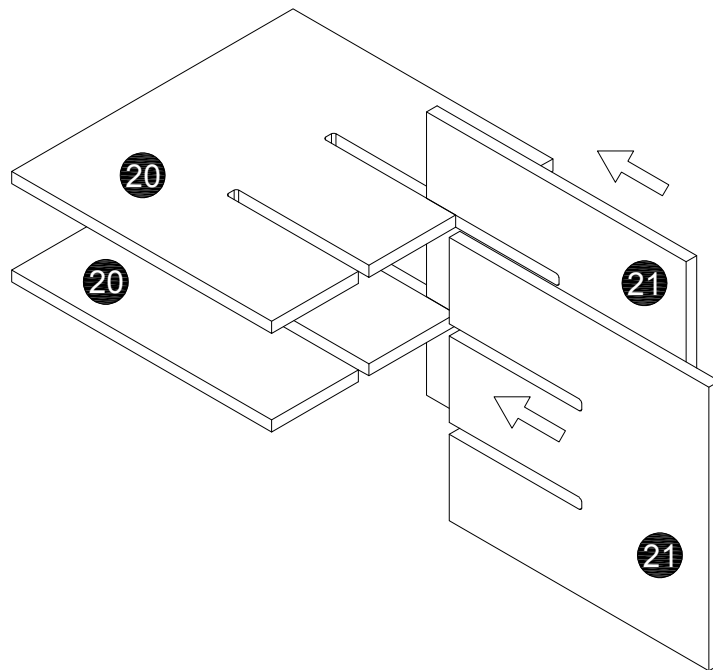


STEP 27



This step requires two people.

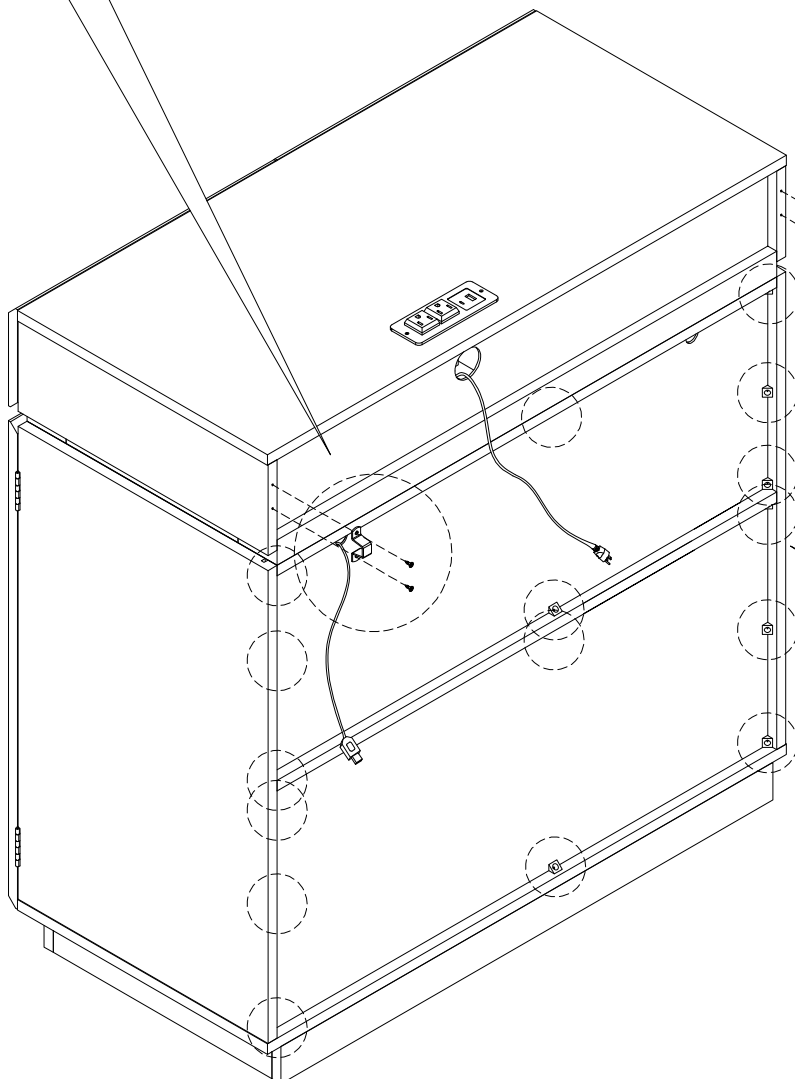
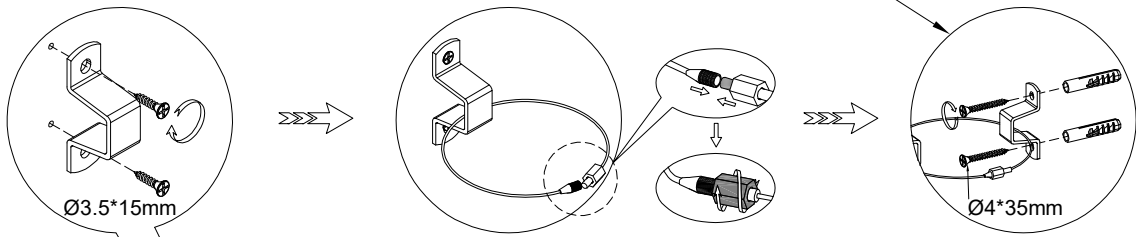


STEP 28

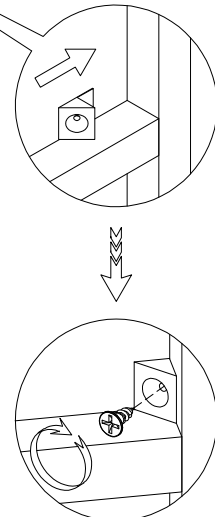
STEP 29

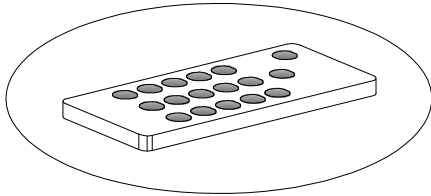


Used for fastening to the wall to secure the cabinet and prevent it from falling over.



Use plastic corner braces to fasten the back panel. Make sure to secure all four corners and the center points of all four edges of both the middle and lower back panels.





Use the remote to adjust the lighting modes. The remote control manual is packed together with the remote and the light.

