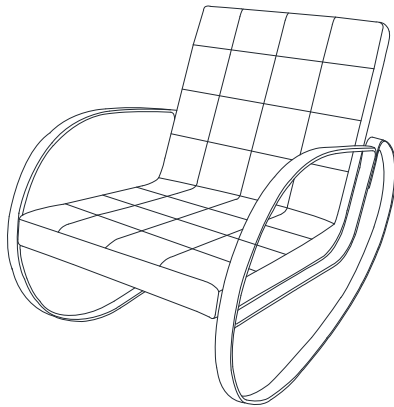


EEI-2084 CASUAL CHAIR

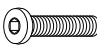

Thank you for purchasing the **MODWAY CASUAL CHAIR!**

Before you start, here is some helpful advice:

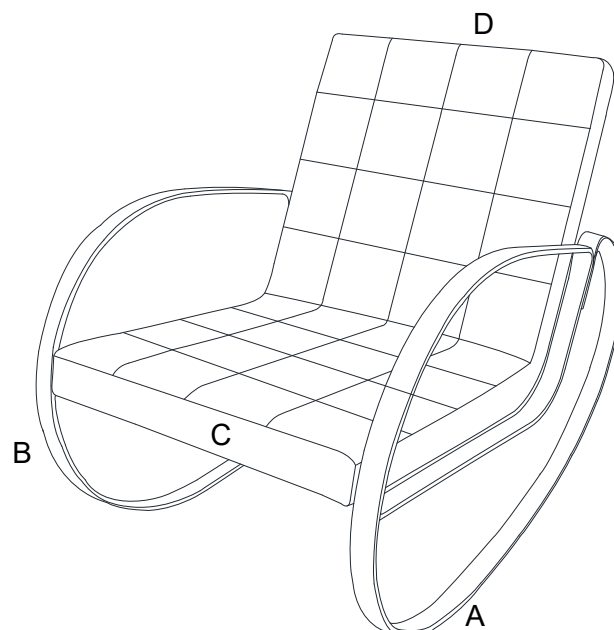
1. We suggest you spend a short time reading through this leaflet and then follow the simple step by step instructions.
 2. Owing to the size and weight of the chair, we recommend that it is assembled by two adults, on a carpeted or padded area, in the room that it is intended for. Approx assembly time: 30 minutes.
 3. Please do not use any tools other than those provided or recommended in these instructions.
 4. Please do not throw away any of the packaging or the instruction until you have checked all the components and hardware and the furniture is fully assembled. Please ensure that the packaging is disposed of in a safe environmentally friendly way.
 5. Assemble all components loosely until advised to tighten. Depending on use, it may be necessary to tighten the components from time to time, so please save the tools that has been provided.
 6. Please keep all fitting out of reach of children.
-



Hardware:

- | | | | |
|---|--|-----------------|----|
| 1 |  | Bolt M8x20mm | x8 |
| 2 |  | Allen Wrench M5 | x1 |

Component:



A Right Leg x1

B Left Leg x1

C Chair Seat x1

D Chair Back x1

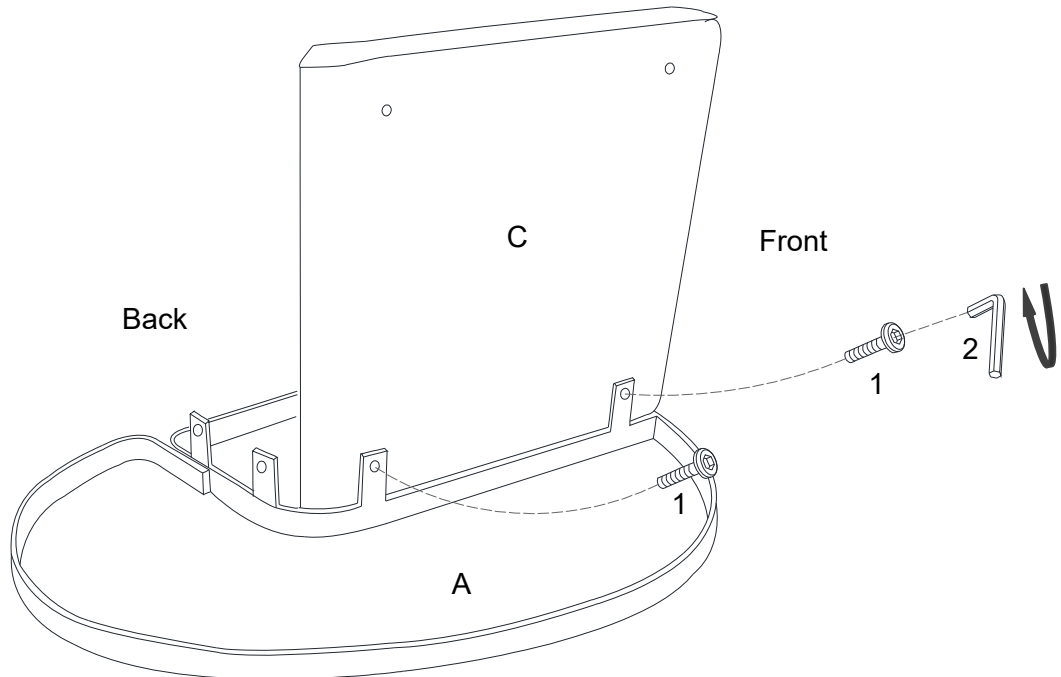
EEI-2084 CASUAL CHAIR

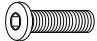

STEP 1:

Please put **Right Leg (A)** side down on a carpeted or padded area.

Attach on side of **Chair Seat (C)** to **Right Leg (A)** by using 4 pieces of **Bolt (1)** as shown.

Use **Allen Wrench (2)** to tighten **Bolts (1)**, please do not fully tighten **Bolts (1)** at this step.



	
1x2pcs	2x1pc

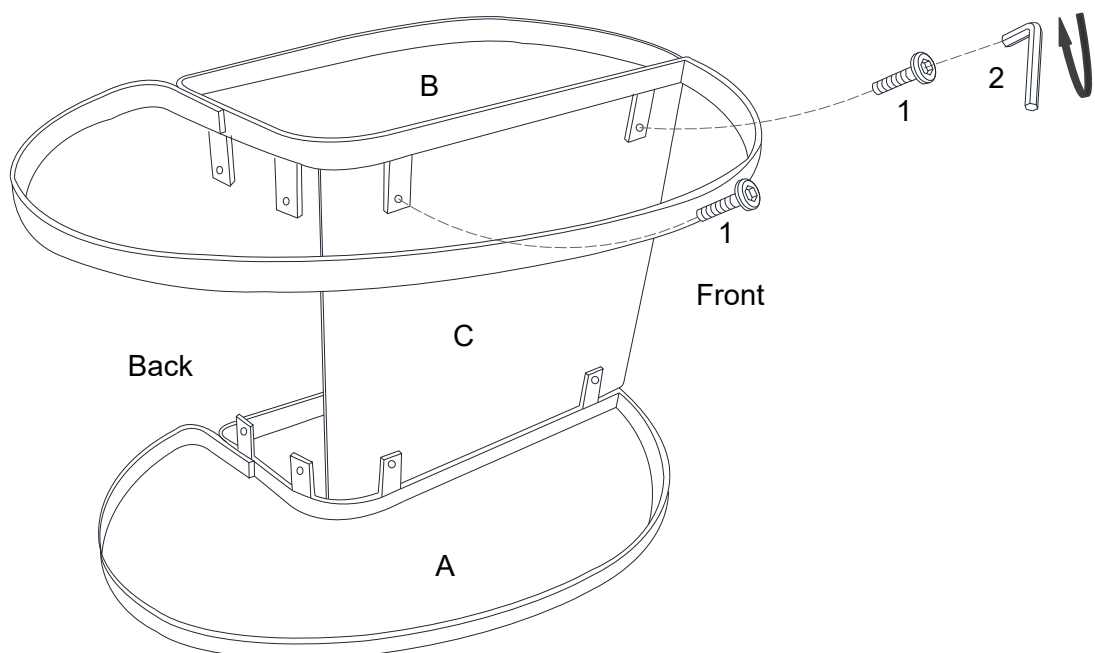
Hardware & Tool required



STEP 2:

Two People are recommended for this step.

Attach **Left Leg (B)** to **Chair Seat (C)** by using 4 pieces of **Bolt (1)** as shown.

Use **Allen Wrench (2)** to tighten **Bolts (1)**, please do not fully tighten **Bolts (1)** at this step either.



	
1x2pcs	2x1pc

Hardware & Tool required

EEI-2084 CASUAL CHAIR

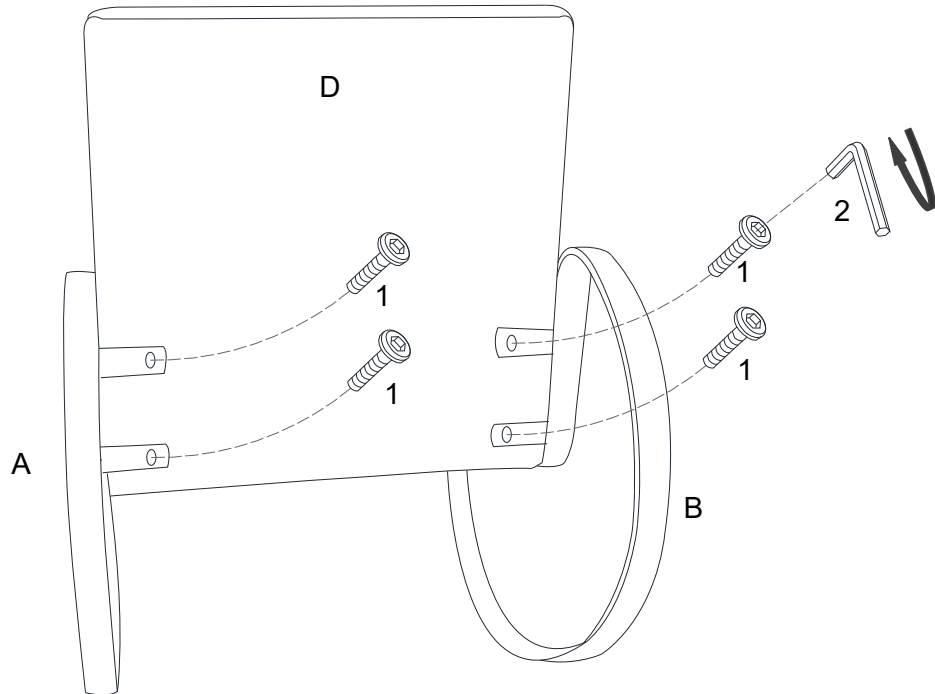
STEP 3:

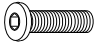

Two People are recommended for this step.

Carefully turn over the assembled **Legs (A&B)** and **Chair Seat (C)**.

Attach Chair Back to **Legs (A&B)** by using 4 pieces of **Bolt (1)** as shown.

Use **Allen Wrench (2)** to tighten **Bolts (1)** and the **Bolts (1)** at step 1 and step 2 clockwise until secure.

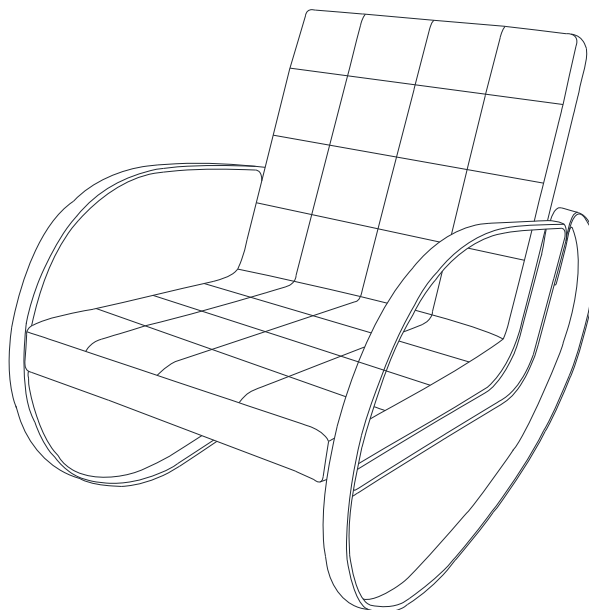


	
1x4pcs	2x1pc

Hardware & Tool required

STEP 4:

Place the assembled chair to your desired position.



Assembly is complete. Your chair is ready to be enjoyed now!