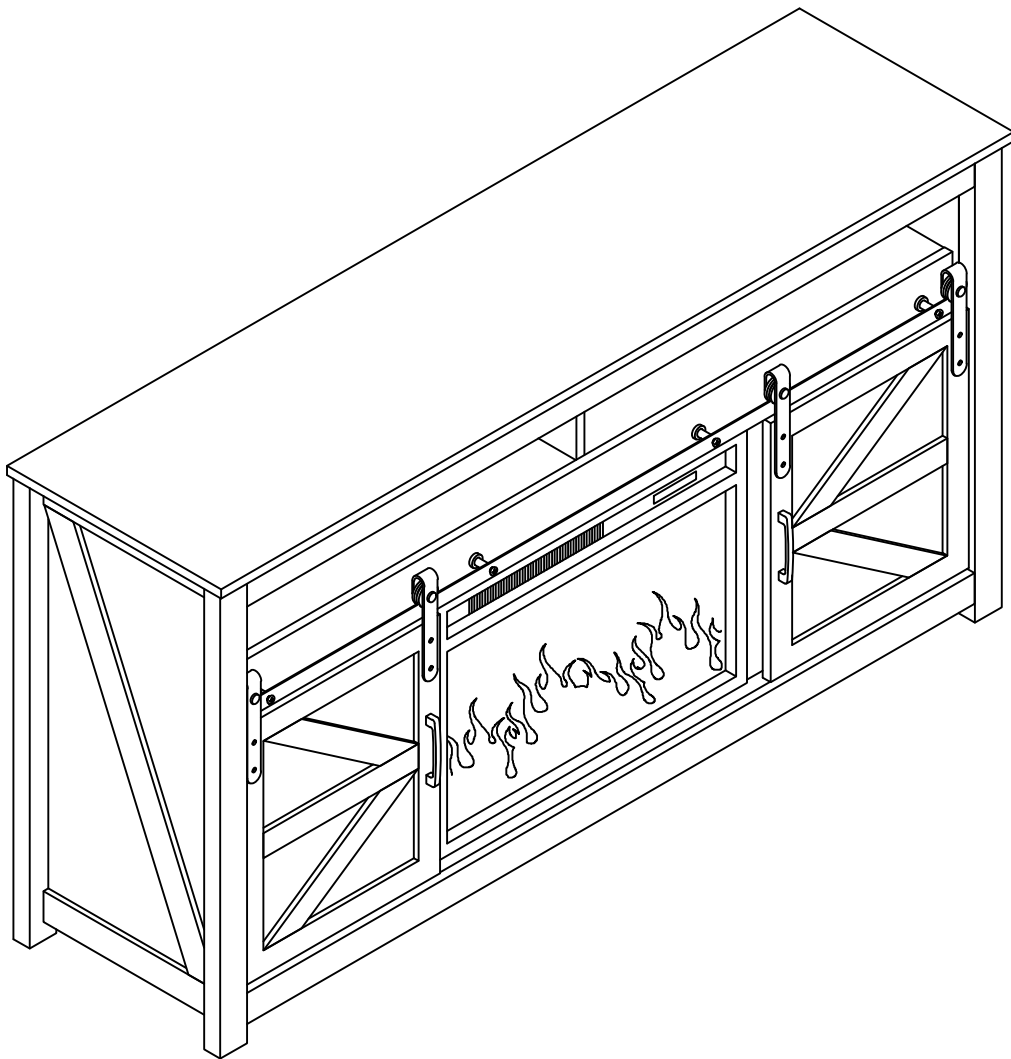
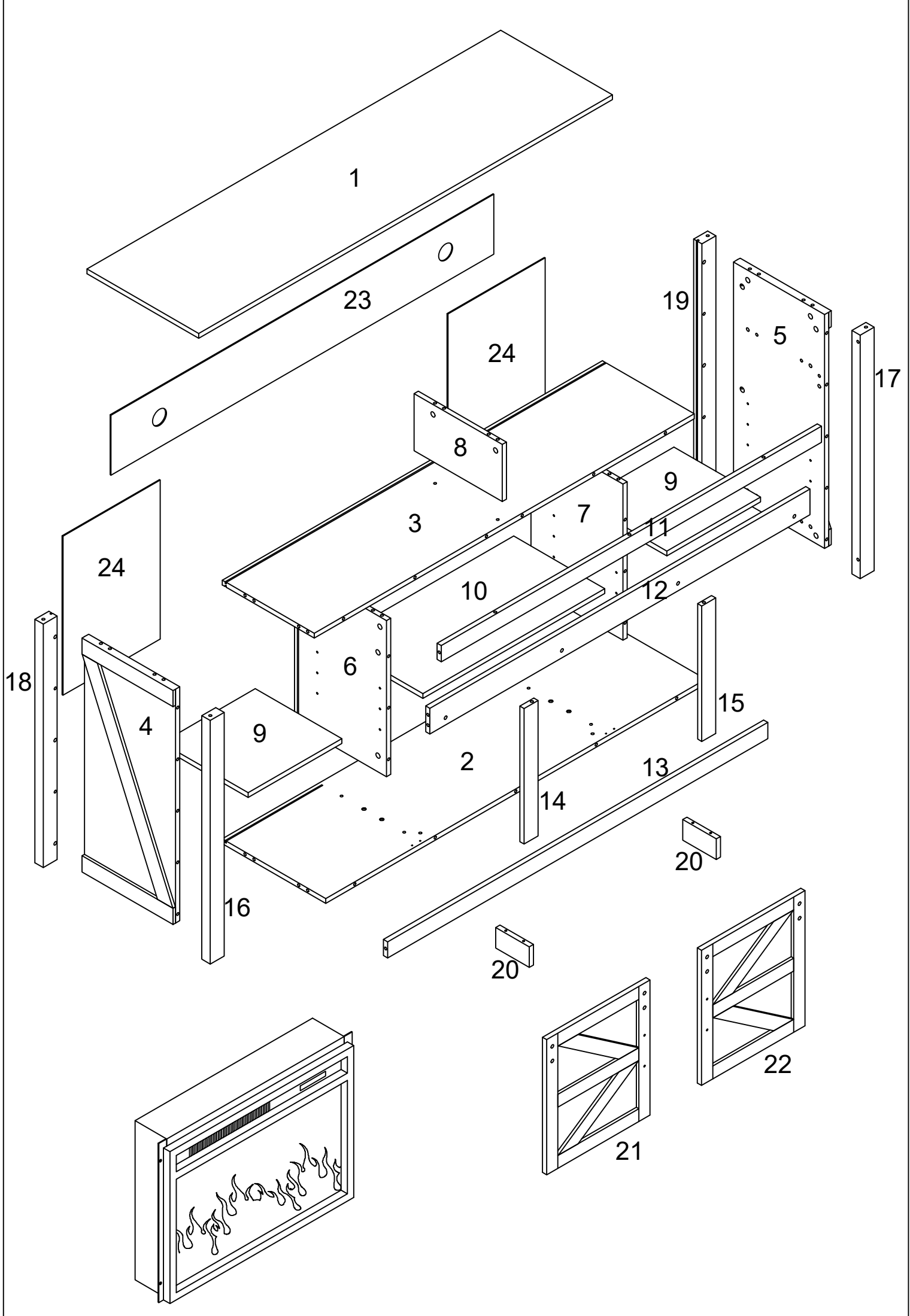
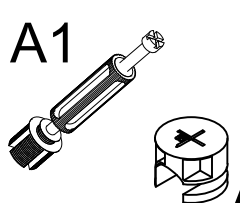


Assembly Instructions





A

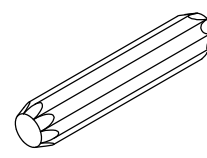


A1
A2

45PCS

B

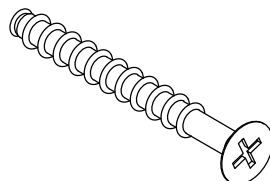
8*40



47PCS

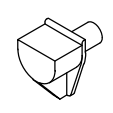
C

7*50



10PCS


D



12PCS

E


96



2PCS

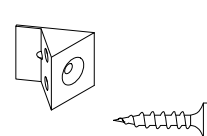
F

4*18



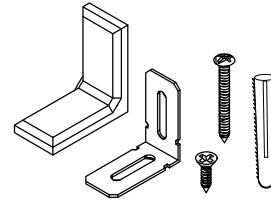
4PCS

G



18PCS

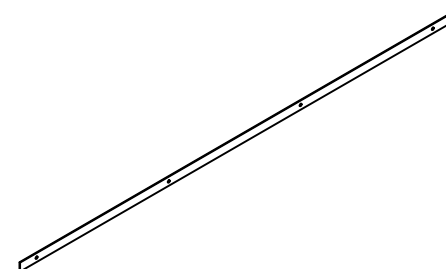
H



2PCS

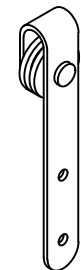
I

1350mm




1PCS

J



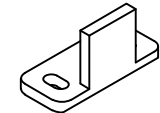
4PCS

K



4PCS

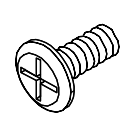
L



2PCS

M

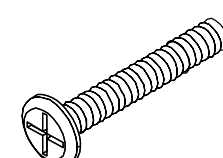
6*10



8PCS

N


6*35



4PCS

O

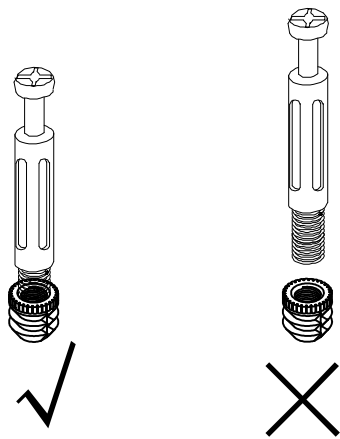
3.5*14



8PCS

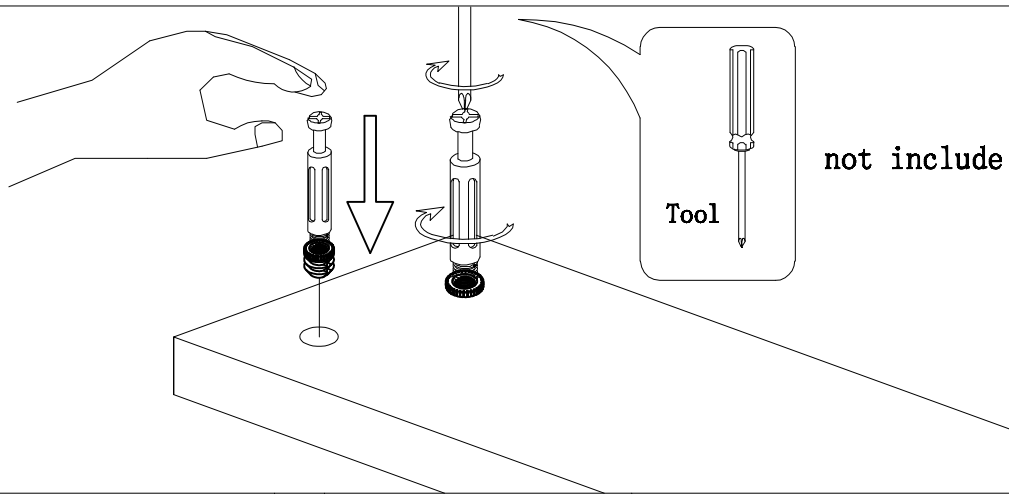
"A" Hardware installation example

I

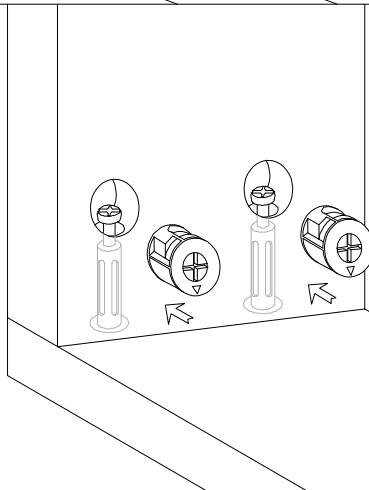


This part cannot be separated,
please install in strict
accordance with the assembly
requirements

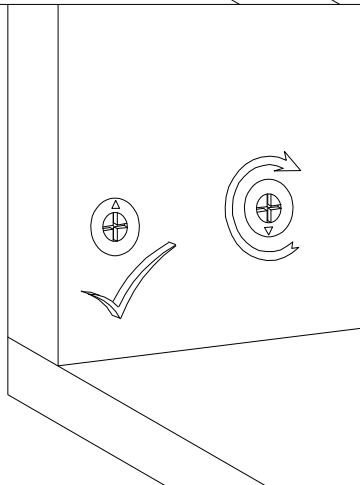
II



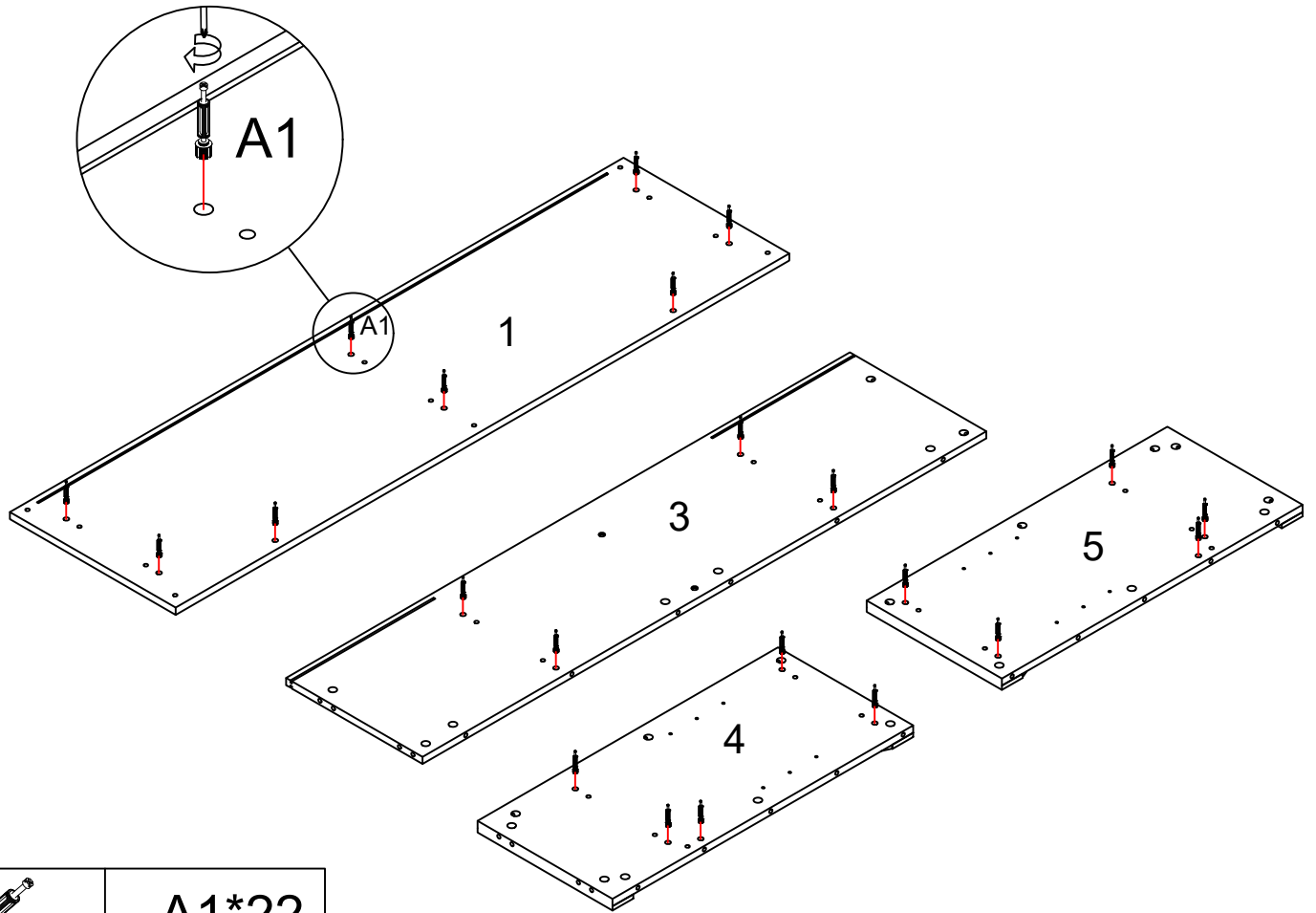
III



IV

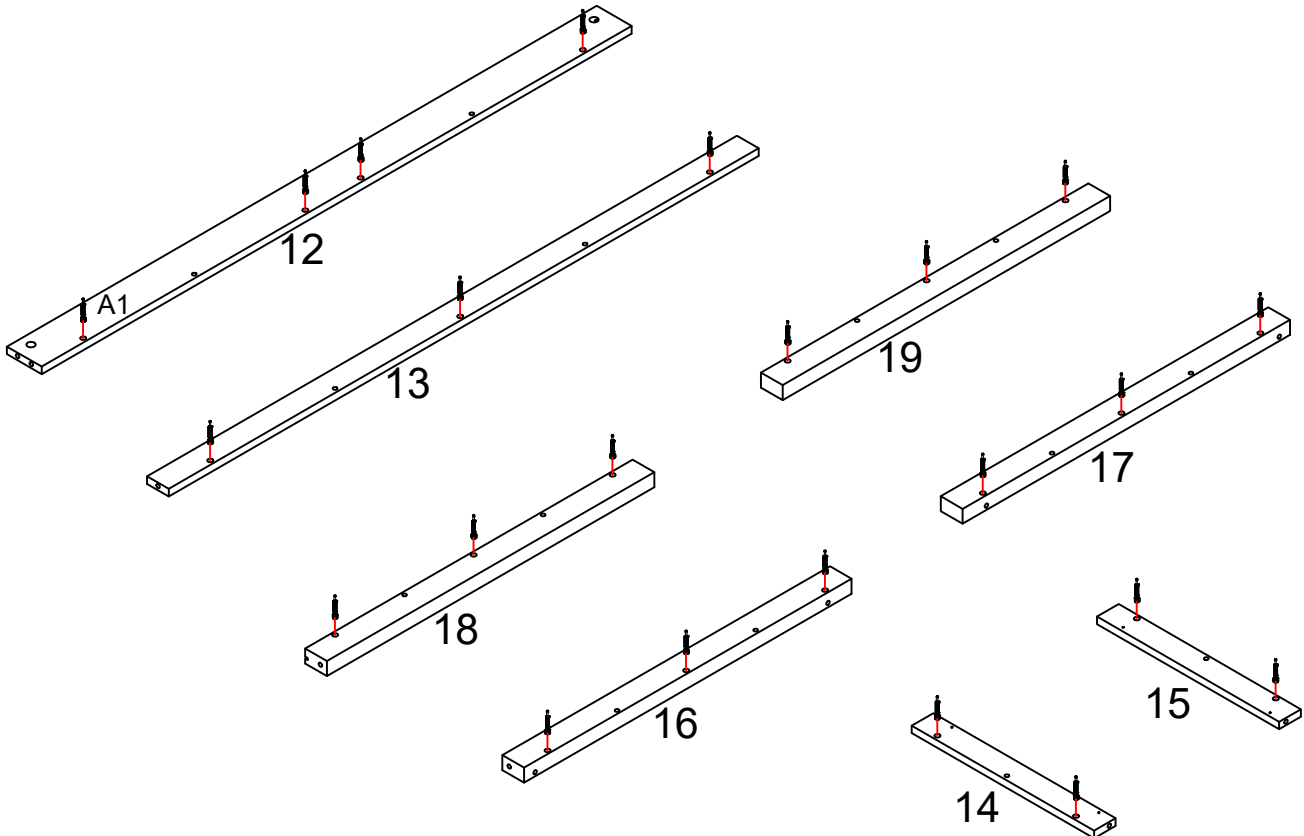


STEP 1



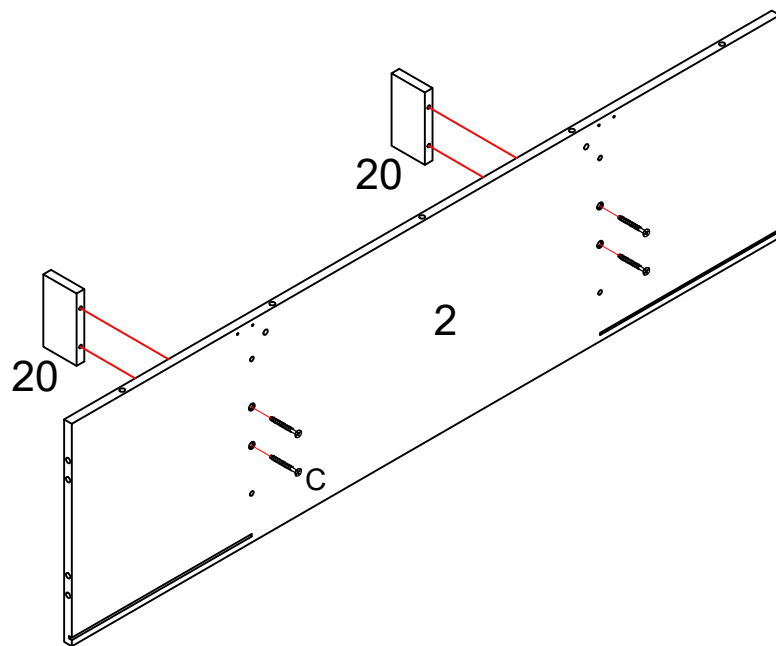
A1*22

STEP 2



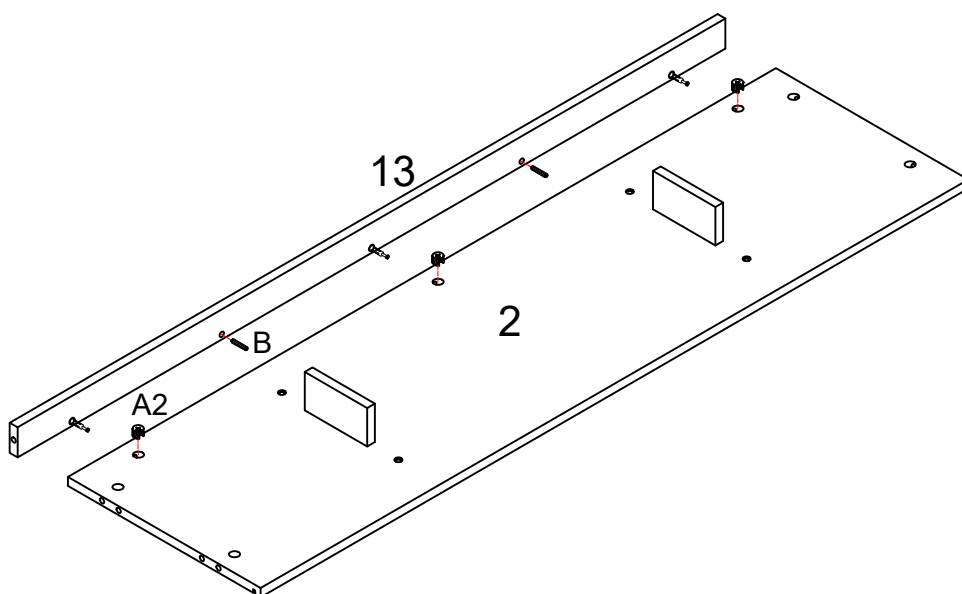
A1*23

STEP 3

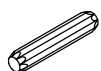


C*4

STEP 4

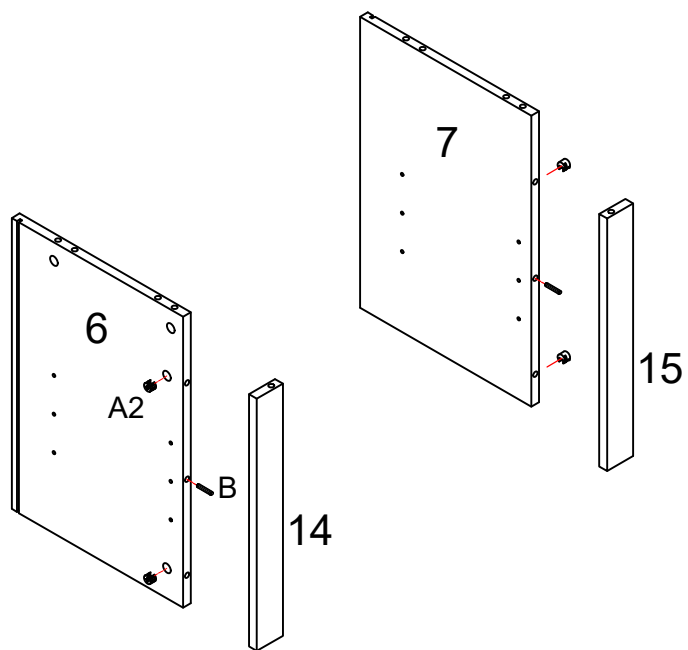



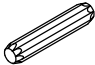
A2*3



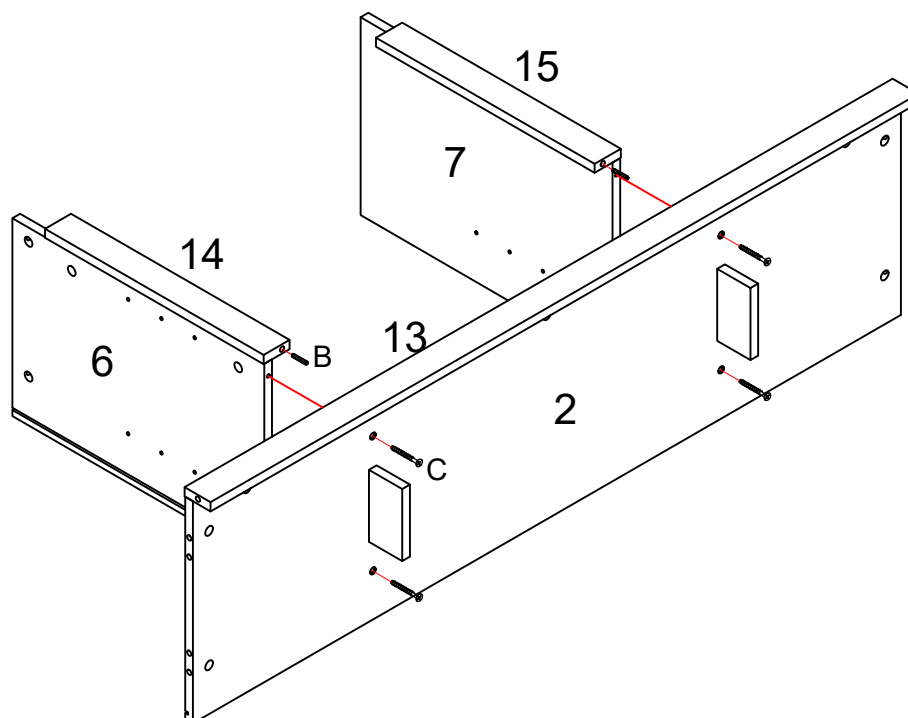
B*2

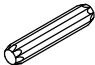

STEP 5



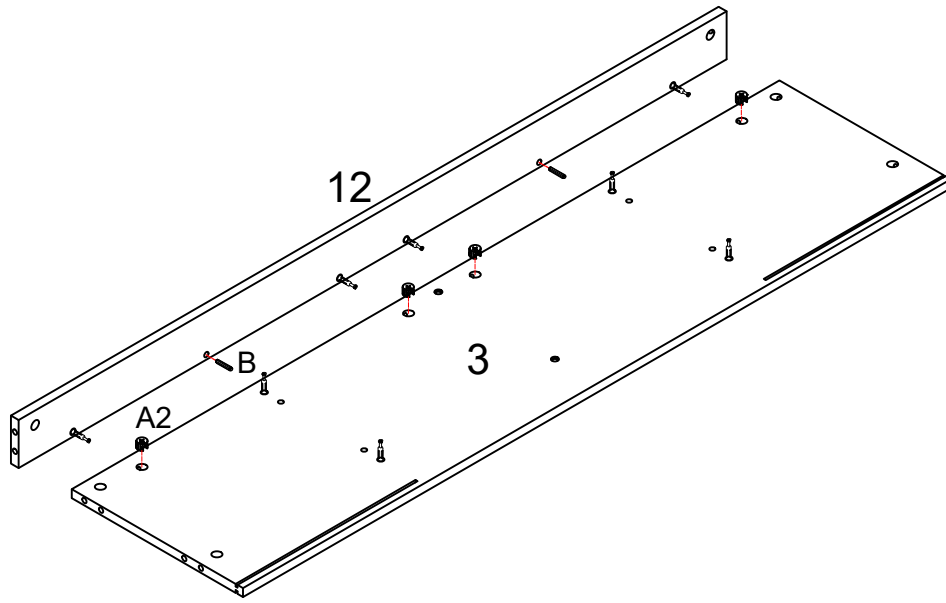
	A2*4
	B*2


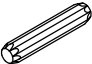
STEP 6



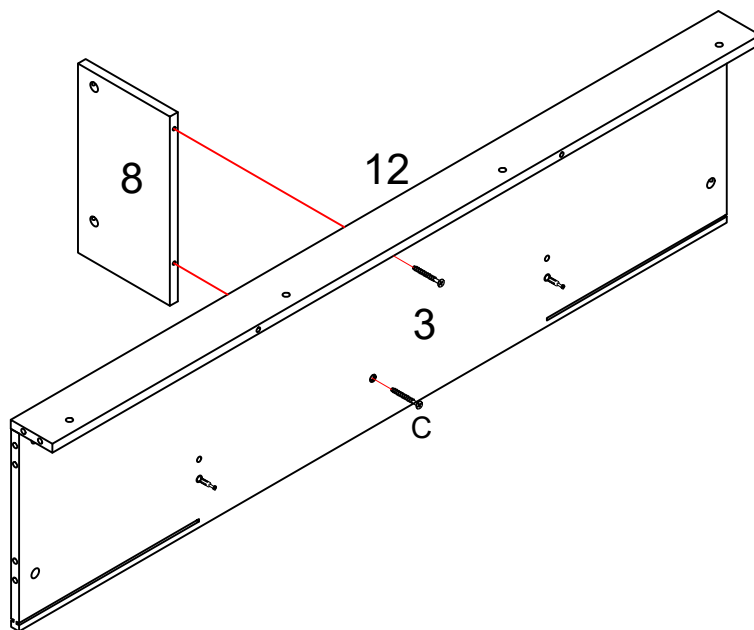
	B*2
	C*4

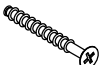
STEP 7



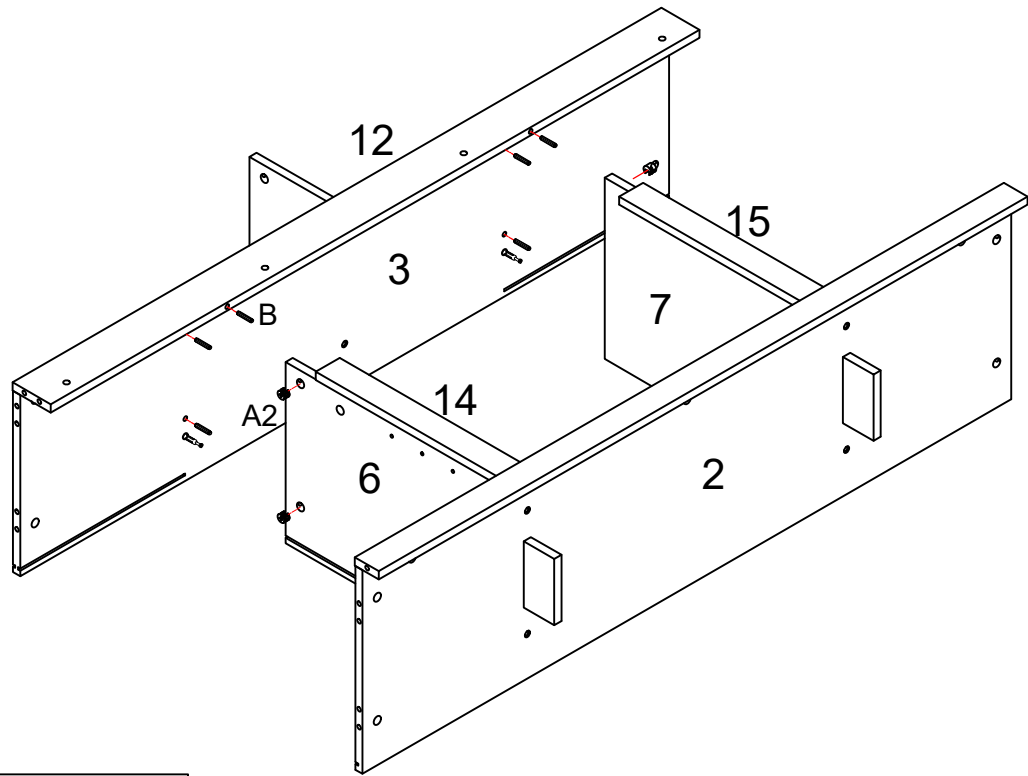
	A2*4
	B*2


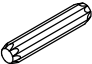
STEP 8



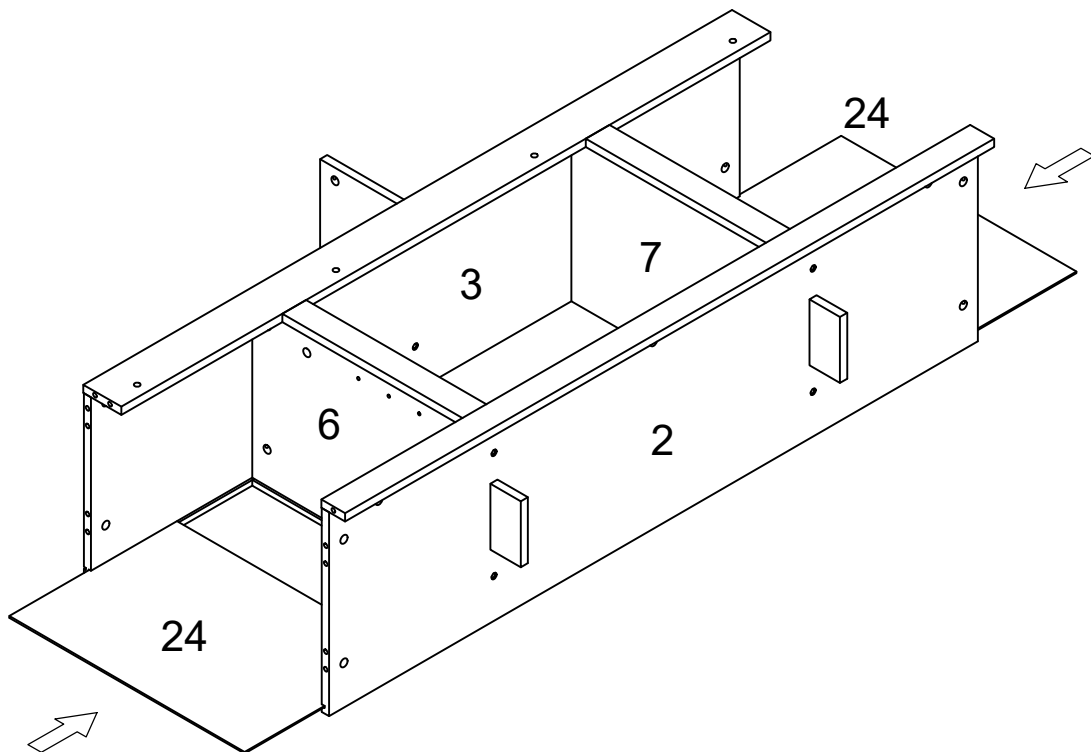
	C*2
---	-----

STEP 9

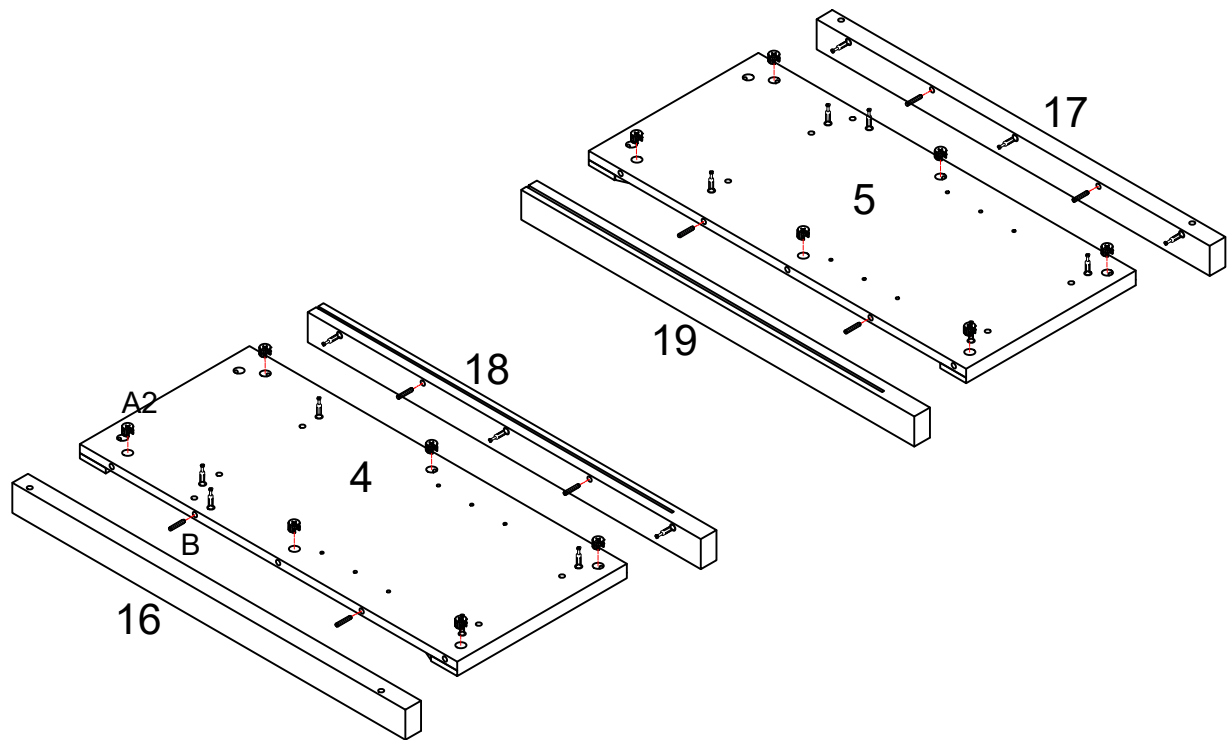



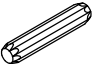
	A2*4
	B*6

STEP 10

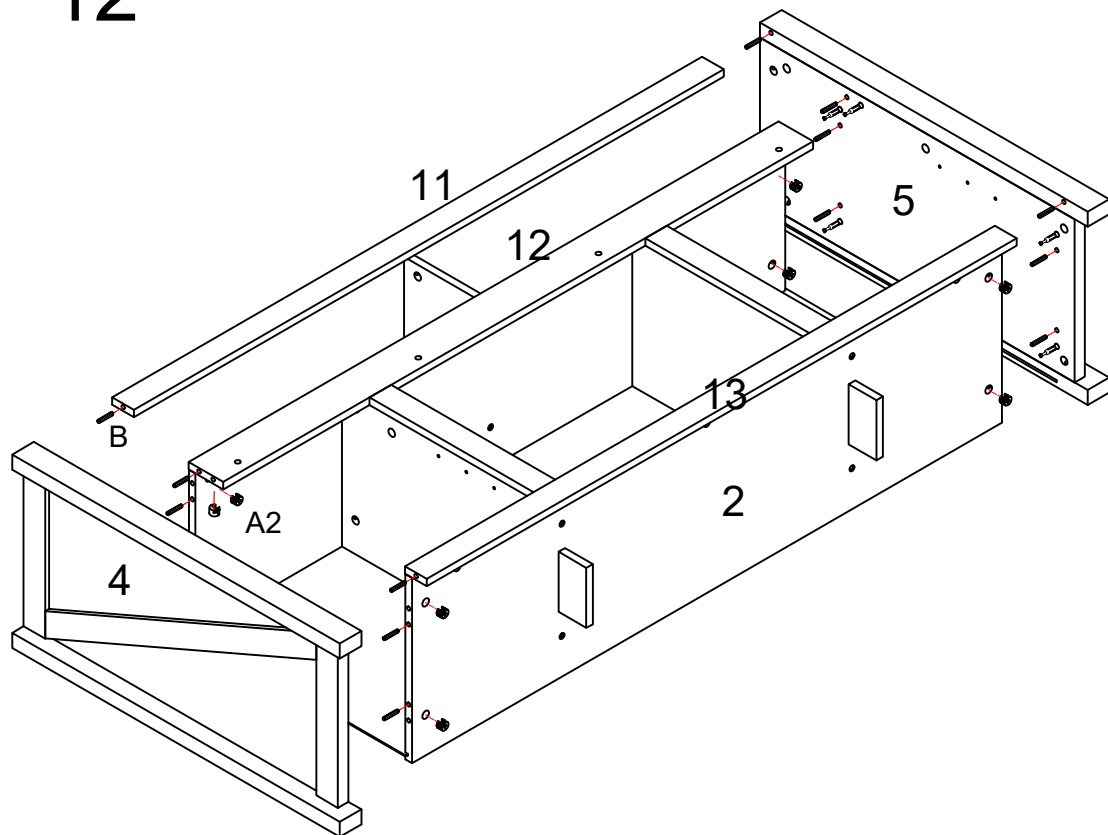



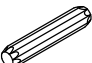
STEP 11



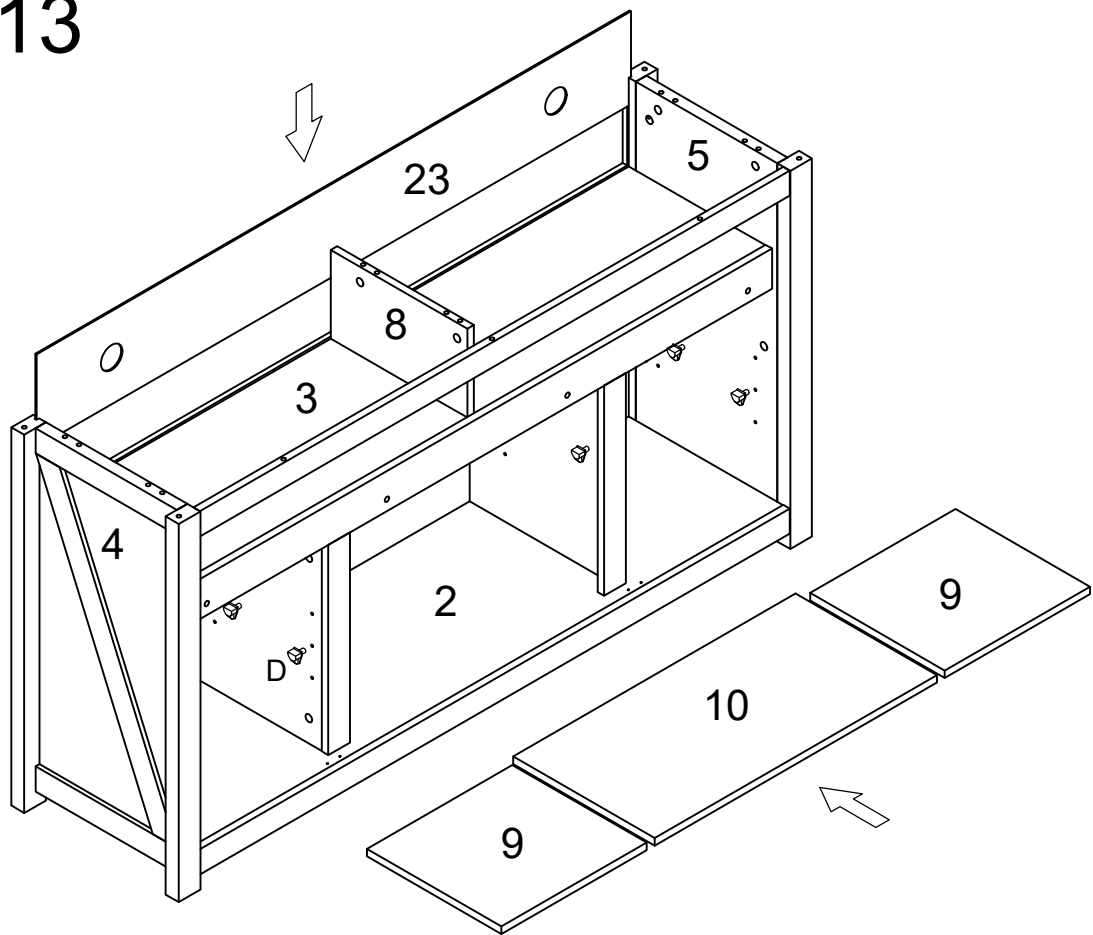
	A2*12
	B*8

STEP 12



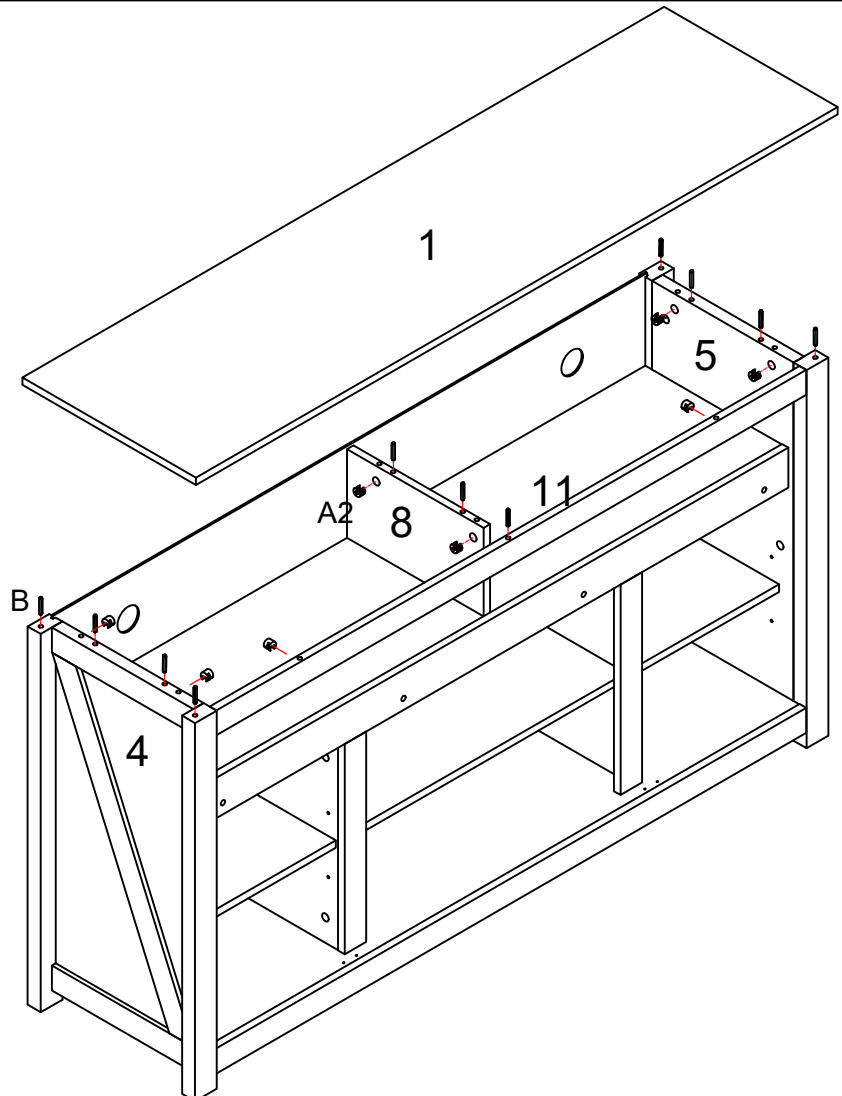
	A2*10
	B*14

STEP 13

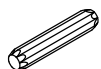


D*12

STEP 14

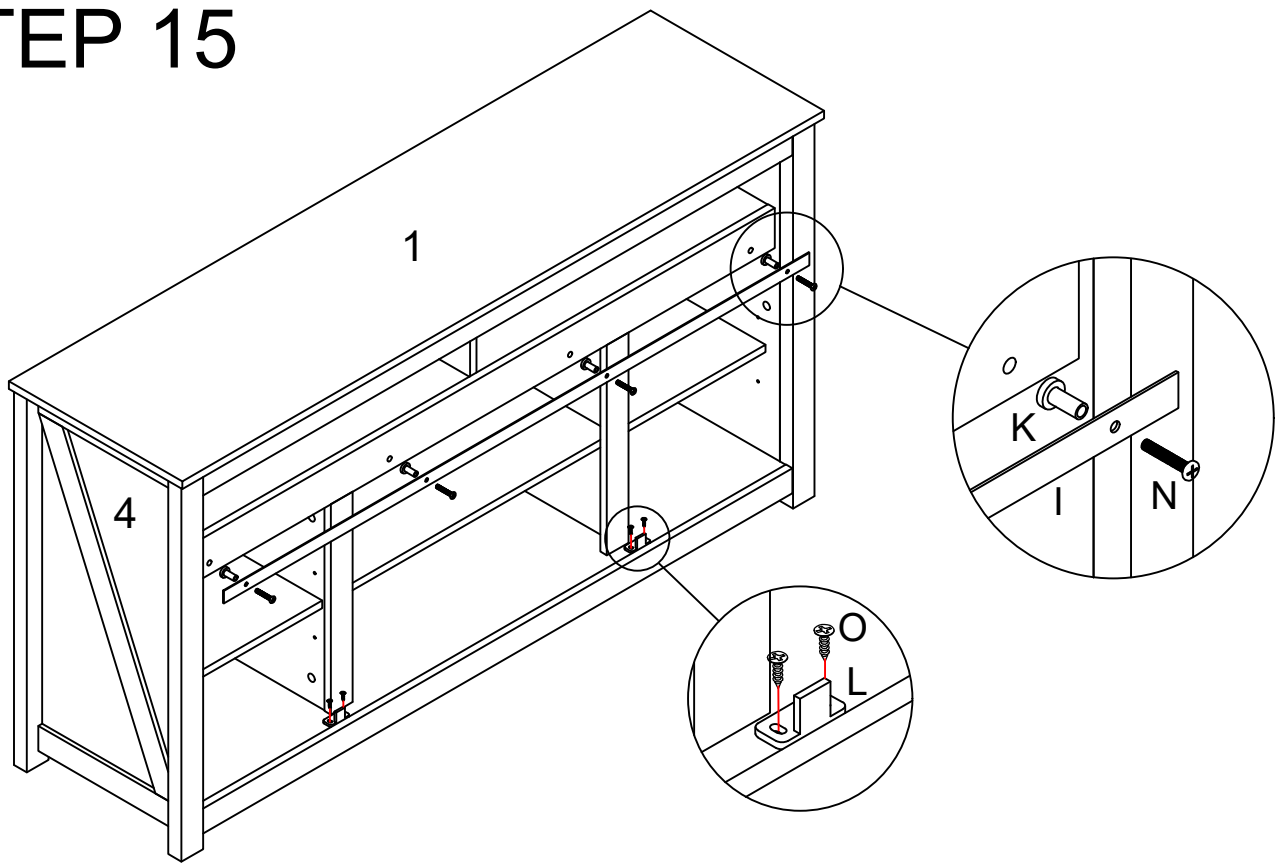






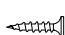
A2*8



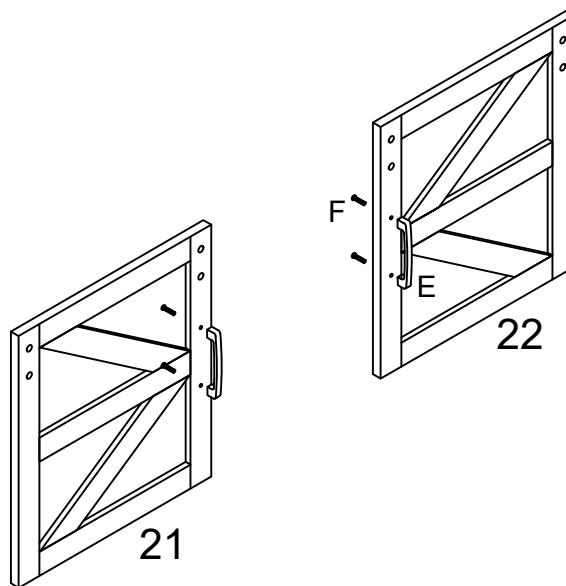
B*11



STEP 15



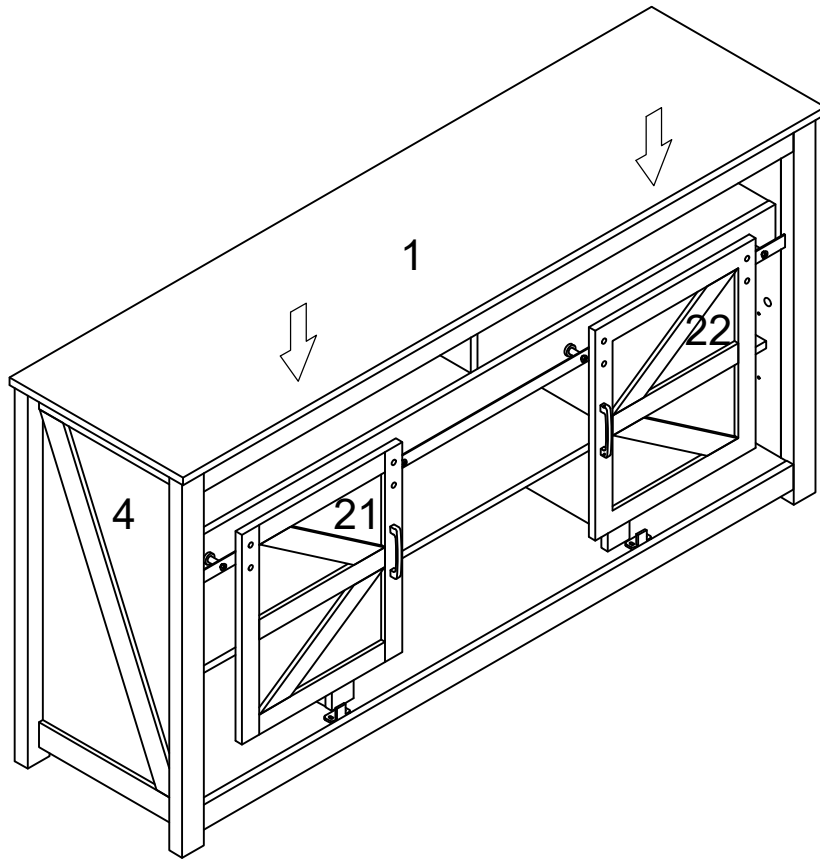
	I*1		K*4		
	L*2		N*4		O*4

STEP 16

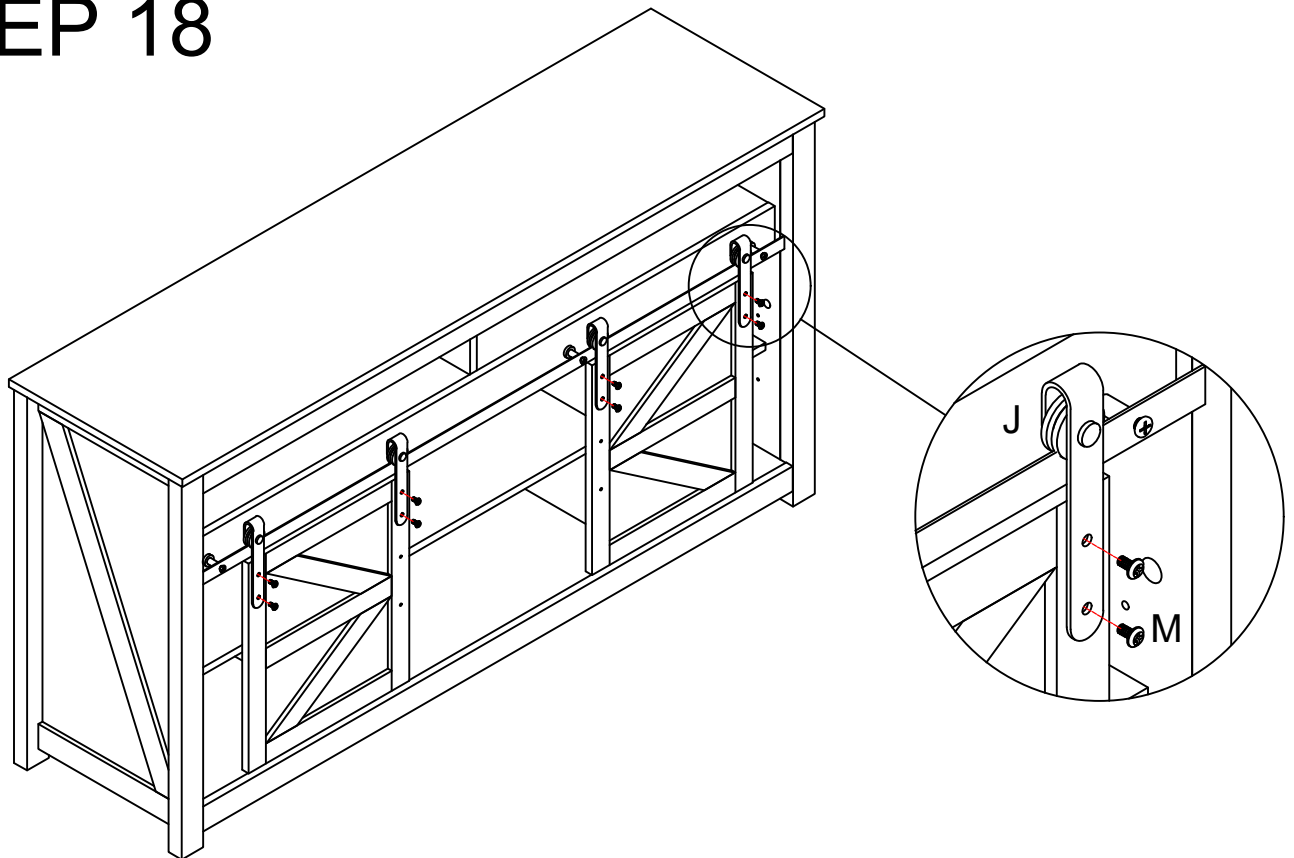


	E*2
	F*4

STEP 17



STEP 18

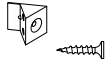
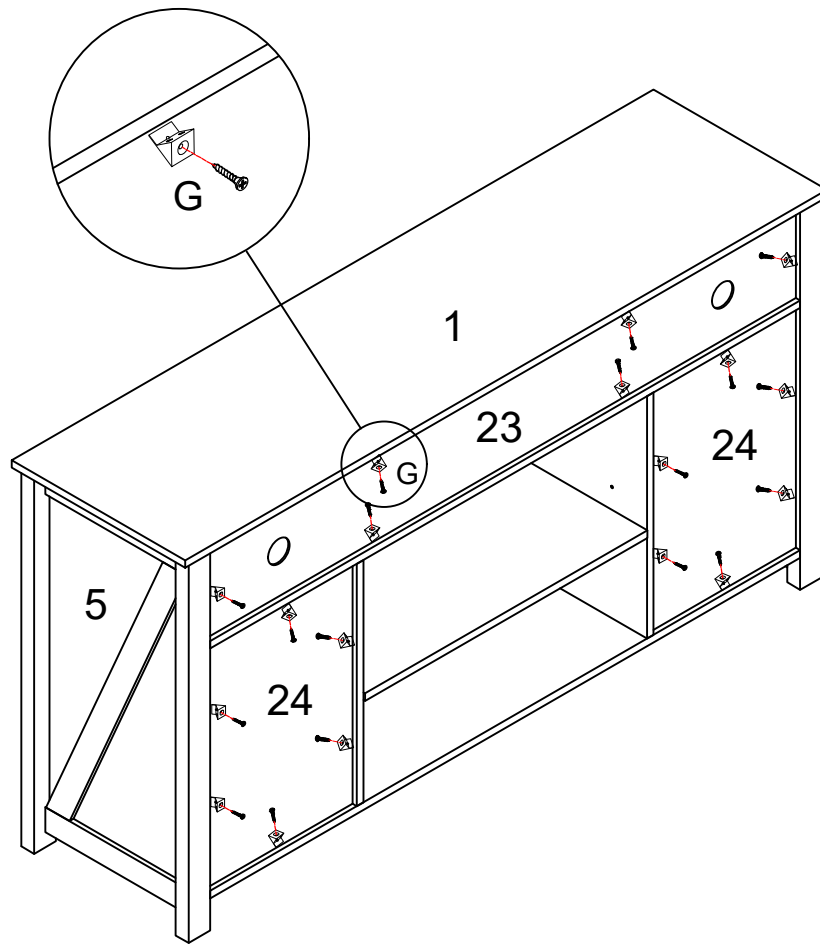


J*4



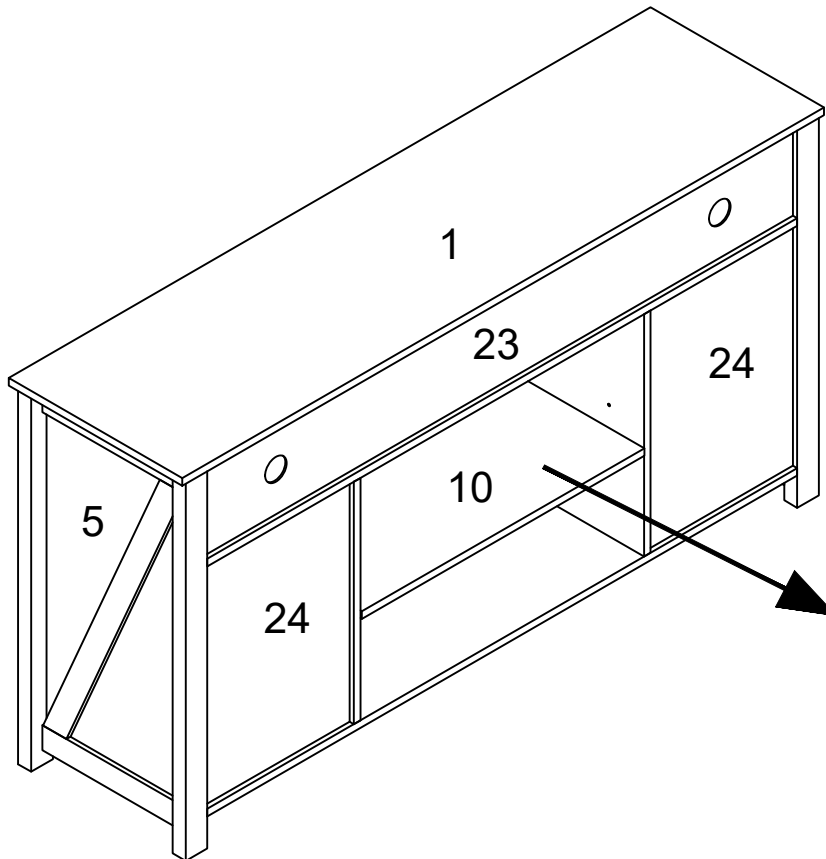
M*8

STEP 19

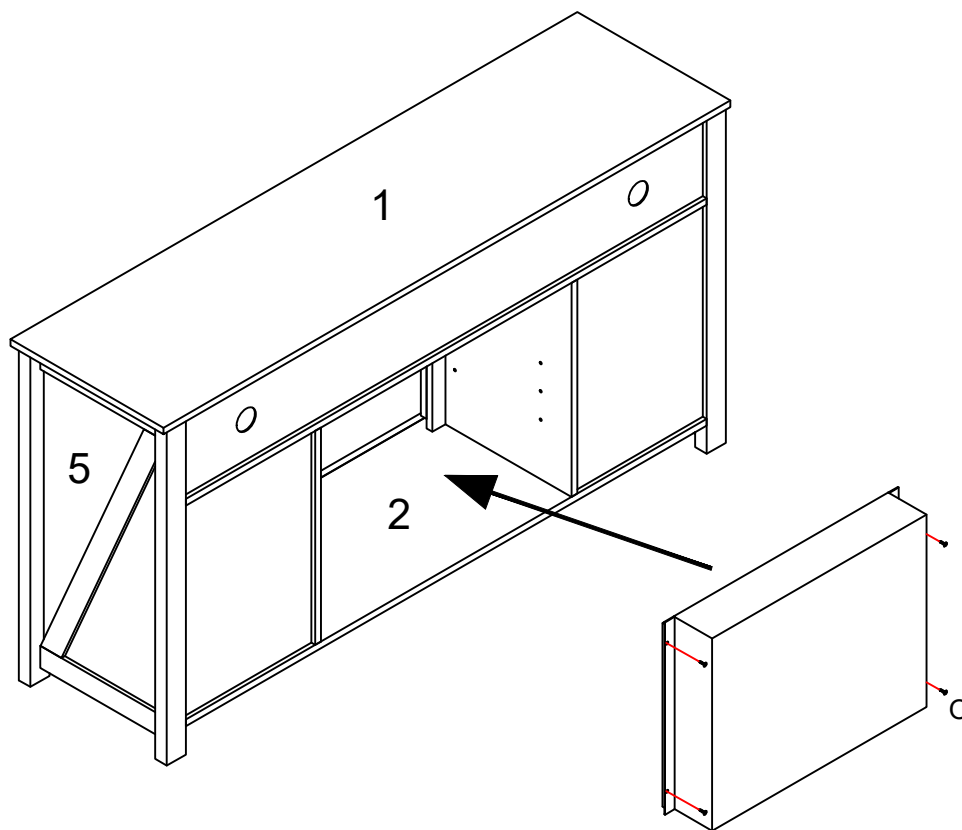


G*18

STEP 20

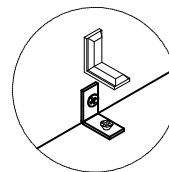
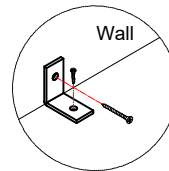
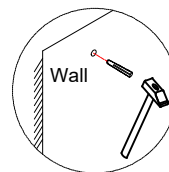
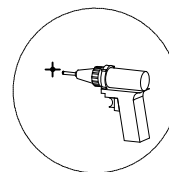
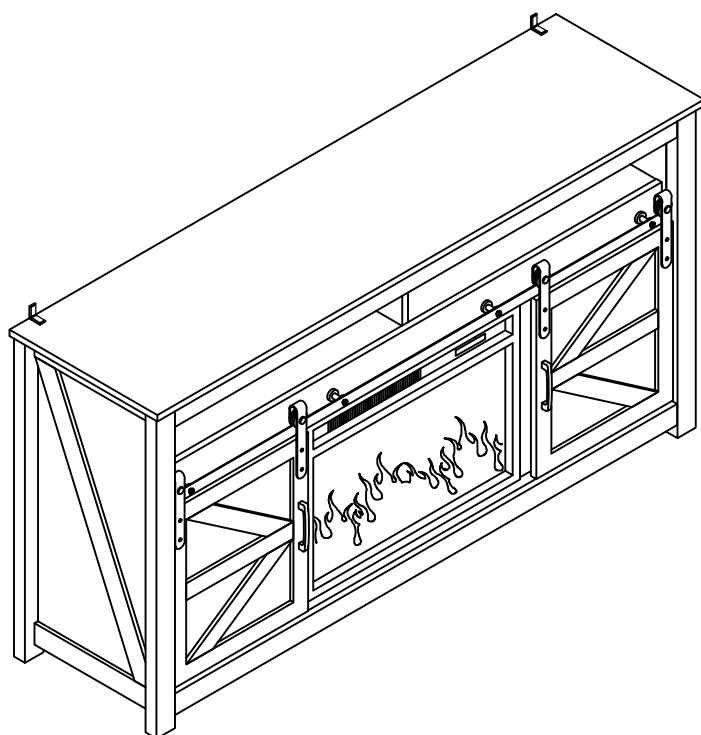


STEP 21



O*4

STEP 22



H*2

Please install tip-proof fitting.