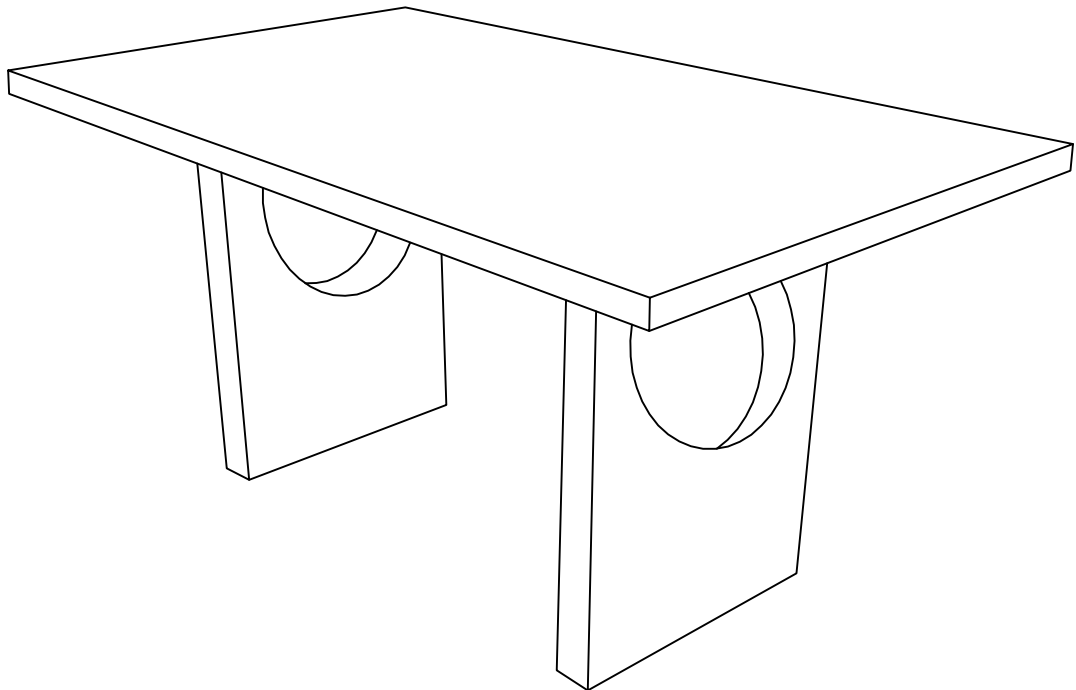


ASSEMBLY INSTRUCTION

ITEM : N715P180448

DINING TABLE



ASSEMBLY INSTRUCTION

ITEM : N715P180448

Important Note !

Please read these instructions fully before starting assembly:

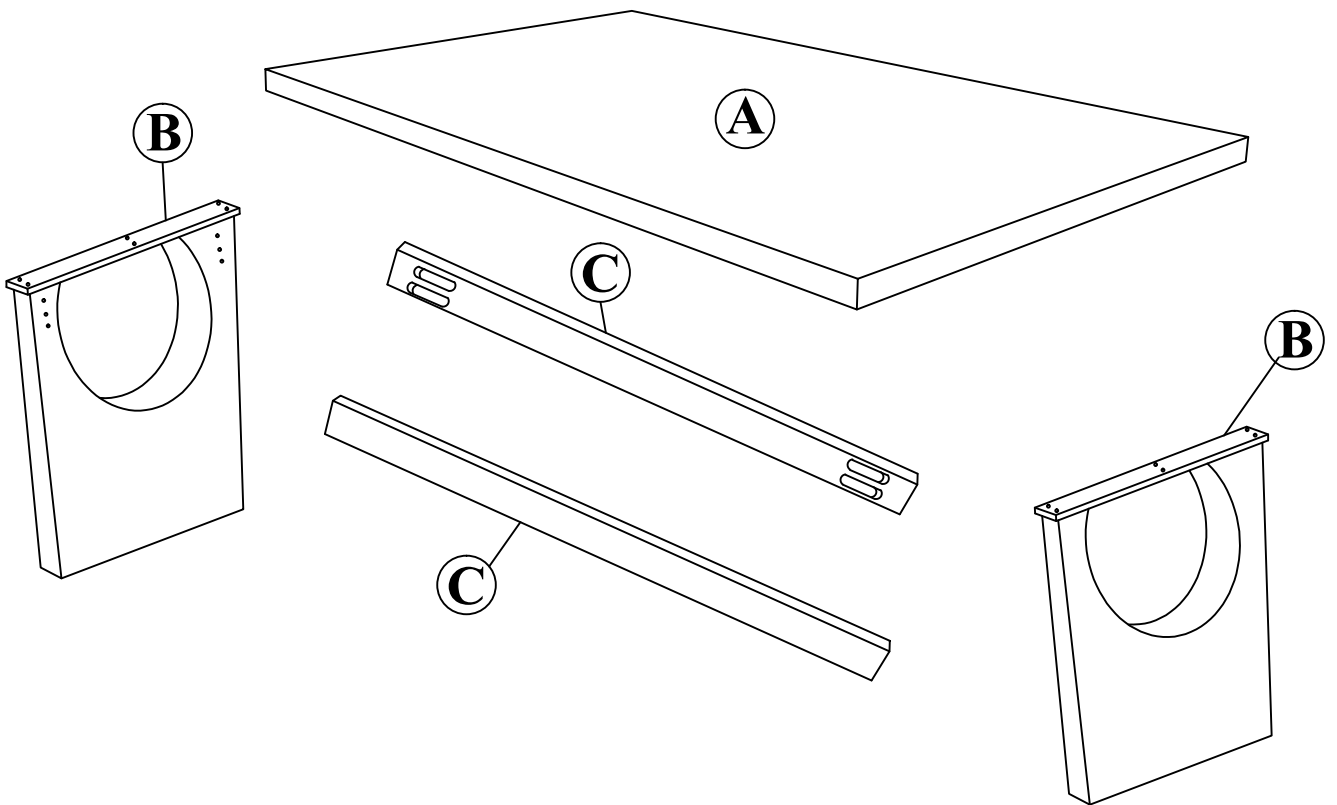
1. Place all wooden parts on a clean and smooth surface such as a rug or carpet to avoid scratching the parts
2. Kindly follow the assembly instructions step by step.
3. Do not tighten all screws and bolts until the table is fully assembled.
4. Unscrew the protective plastique supports from the metal insert of the table legs before assembly.
5. Parts of the assembly will be easier with 2 people.

Care and maintenance:

Only clean using a damp cloth and mild detergent, do no use bleach or abrasive cleaners.

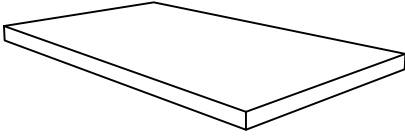
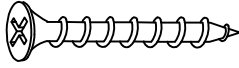
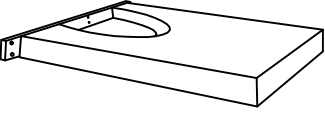

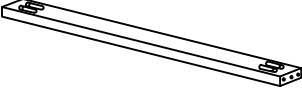



ASSEMBLY INSTRUCTION

ITEM : N715P180448



ASSEMBLY INSTRUCTION

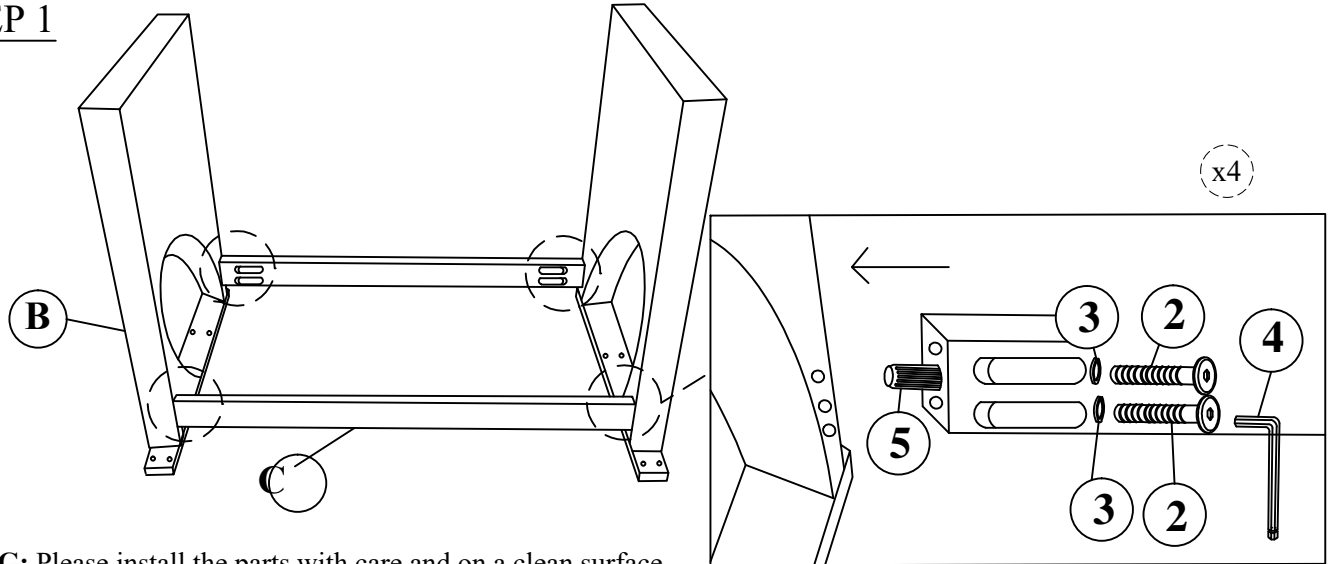
ITEM : N715P180448

Part List For One	Hardware List For One
<p data-bbox="124 456 188 519">Ⓐ</p> 	<p data-bbox="817 456 880 519">①</p>  <p data-bbox="976 636 1136 672">M4*32mm</p>
<p data-bbox="284 734 577 770">TABLE TOP (1PC)</p>	<p data-bbox="960 734 1353 770">WOOD SCREW (12PCS)</p>
<p data-bbox="124 824 188 887">Ⓑ</p> 	<p data-bbox="817 824 880 887">②</p>  <p data-bbox="986 963 1145 999">M6*60mm</p>
<p data-bbox="293 1070 488 1106">LEG (2PCS)</p>	<p data-bbox="976 1070 1193 1106">BOLT (8PCS)</p>
<p data-bbox="124 1160 188 1223">Ⓒ</p> 	<p data-bbox="817 1160 880 1223">③</p> 
<p data-bbox="284 1406 552 1442">SUPPORT (2PC)</p>	<p data-bbox="900 1406 1318 1442">SPRING WASHER (8PCS)</p>
	<p data-bbox="817 1496 880 1559">④</p> 
	<p data-bbox="973 1751 1267 1787">ALLEN KEY (1PC)</p>
	<p data-bbox="817 1854 880 1917">⑤</p> 
	<p data-bbox="900 2087 1273 2123">WOOD DOWEL (4PCS)</p>

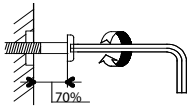
ASSEMBLY INSTRUCTION

ITEM : N715P180448





STEP 1



WARNING: Please install the parts with care and on a clean surface.



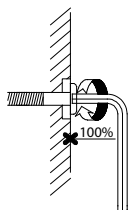
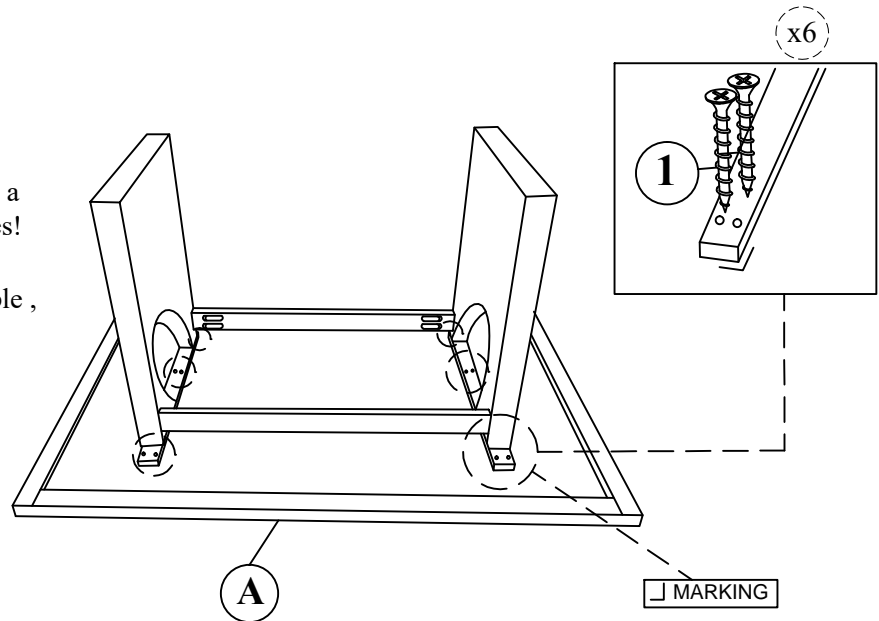
NOTE : Do not fully tighten the bolt

BOLT M6*60mm	SPRING WASHER	ALLEN KEY	WOOD DOWEL
			
② x 8	③ x 8	④ x 1	⑤ x 4

STEP 2

WARNING: Place the Table Top panel on a clean and smooth surface to avoid scratches!

* There are no pre-drilled holes on the table , please align the legs with the marking line provided and screw directly with screwdriver or electric drill.



NOTE: Fully tighten all bolts with Allen Key (4) to secure all legs.

WOOD SCREW M4*32mm

① x 12

ASSEMBLY INSTRUCTION

ITEM : N715P180448

COMPLETE

