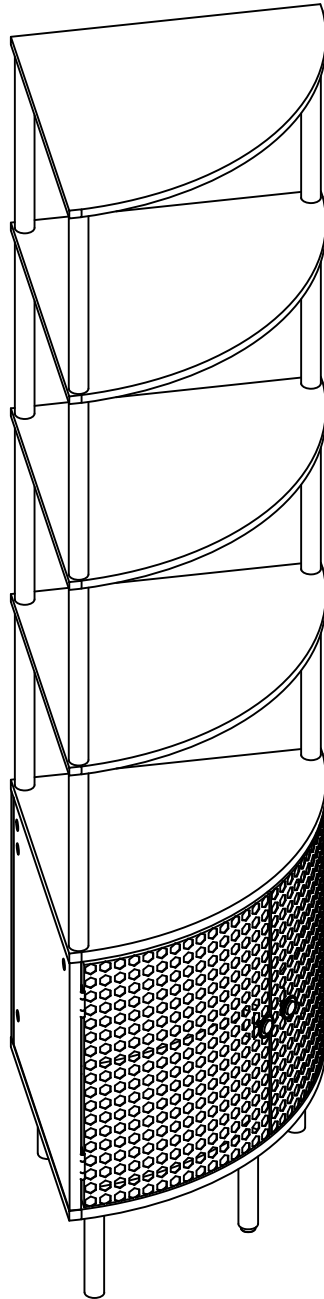


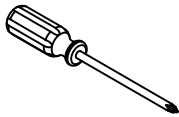
Installation Instruction



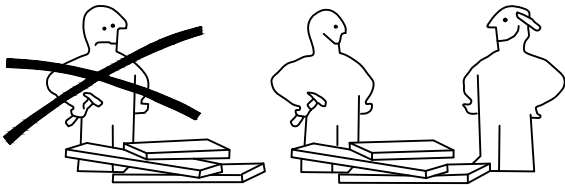
Assembling

What you need

- Use the packaging carton as a working surface to prevent product damage during assembly
- Phillips head screwdriver



Weight Limitation

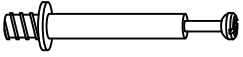


What' included

Code	Description	Qty
A	Cam Bolt M6X35MM	6
B	Cam Lock 15X10MM	6
C	Wooden Dowel M8X30MM	5
D	Screw M4X40MM	6
E	Shelf Holder	4
F	Screw M3.5X12MM	2
G	Metal connector	2
H	Screw M3.0X14MM	24
I	Shelf Holder	5
J	The screw M6X40MM	12
K	Anchor	2
L	Arc-shaped iron sheet	2
M	Metal shake handhandle	2
N	Metal connector	6
O	Cam Bolt M4X20MM	2
P	Screw M4.0X14MM	16
Q	Iron buckle	2
R	The screw M4X55MM	1
S	The screw M6X30MM	3
T	gasket	2
U	Adjustable plastic foot pads	4

The Hardwares

A



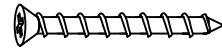
B



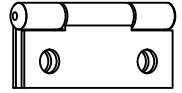
C



D



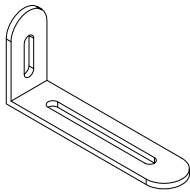
E



F



G



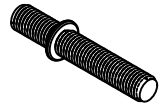
H



I



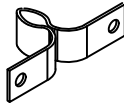
J



K



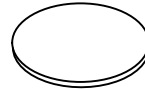
L



M



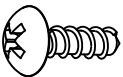
N



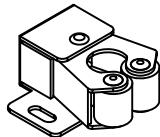
O



P



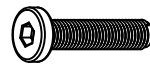
Q



R



S



T



U



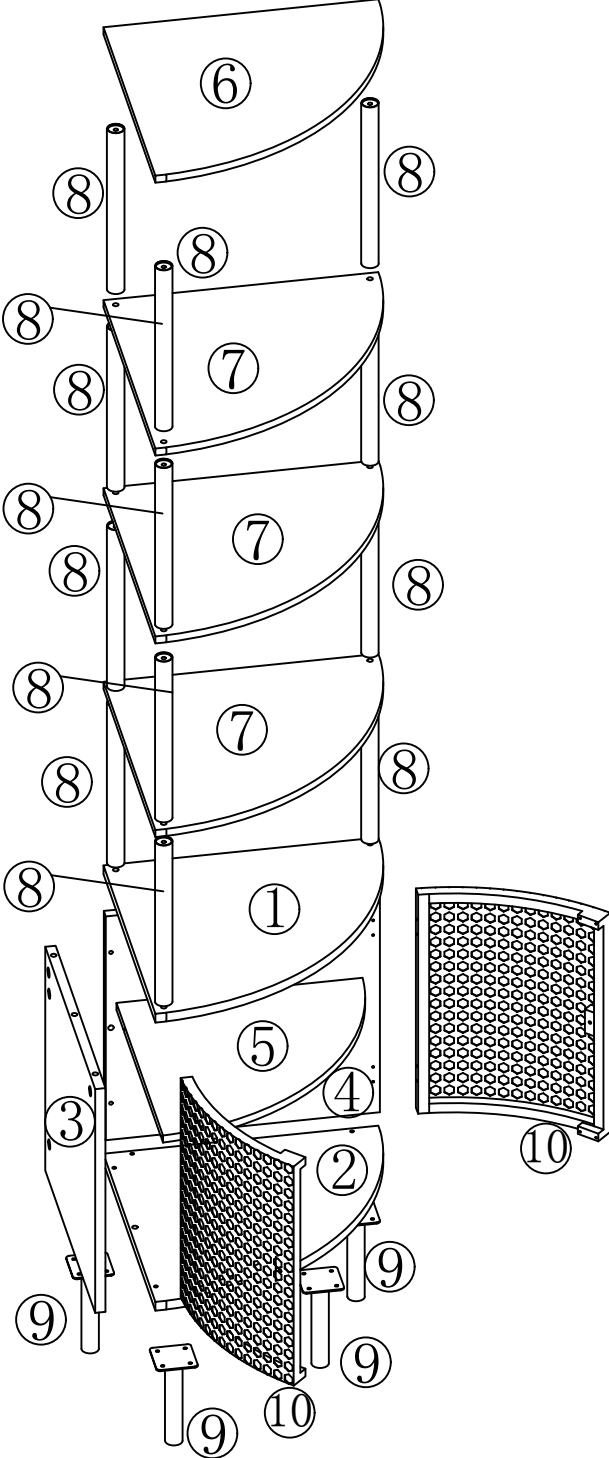
IMPORTANT:

1. Do not tighten bolts / screws completely until all bolts / screws are lined up and inserted into holes.
2. Do not over tighten screws and bolts to avoid stripping
3. You can use a screwdriver. Power tools can also be used. (Be careful with power tools)

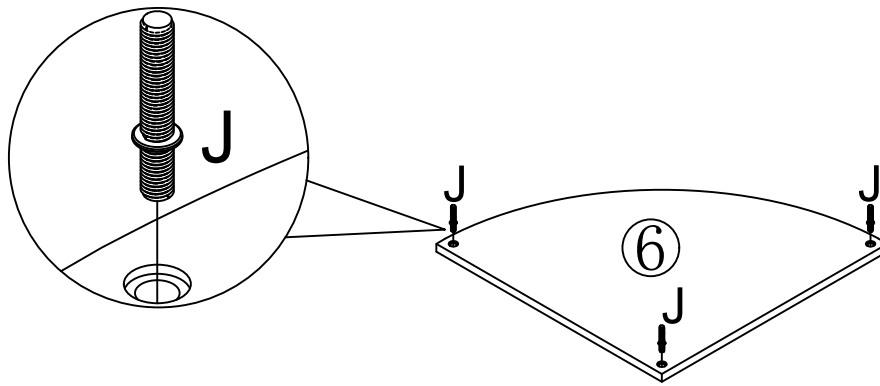
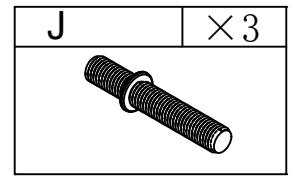
Included Accessories

Code	Description	Qty
1	Cabinet Top	1
2	Bottom Panel	1
3	Left Side Panel	1
4	Right Side Panel	1
5	Middle fixed laminate	1
6	Roof plate	1
7	Layer plate	3
8	Support pipe	12
9	Adjustable support feet	4
10	Iron Vine Gate	2

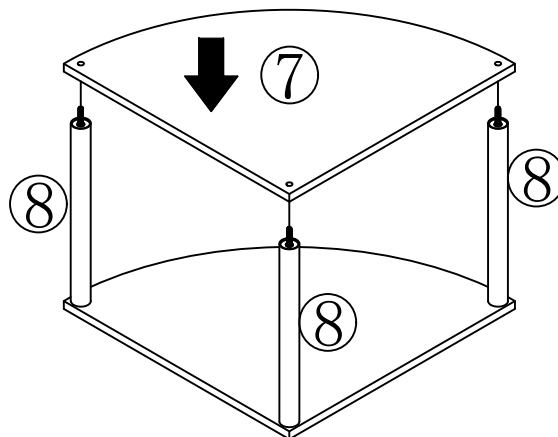
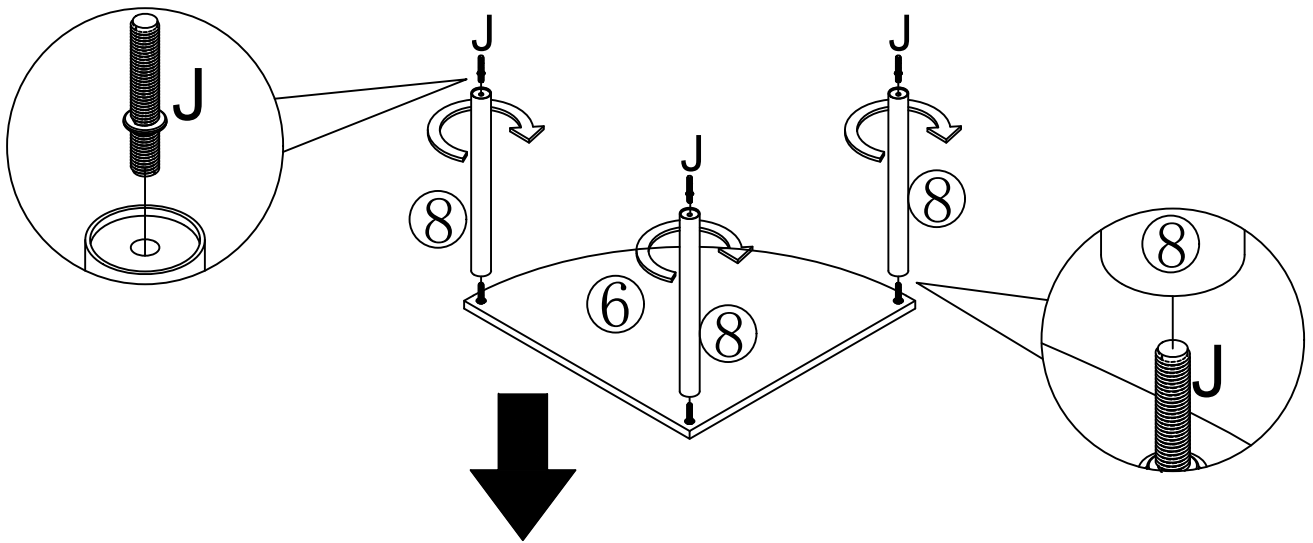
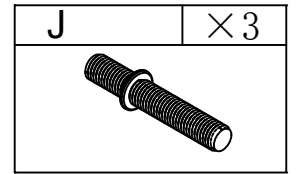
The Accessoriess



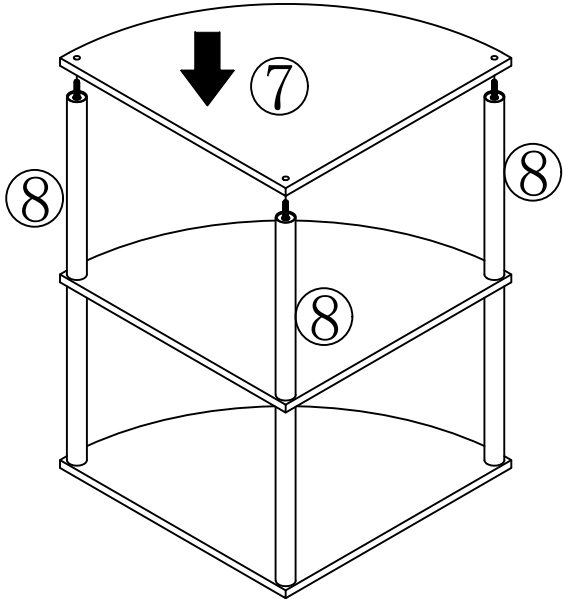
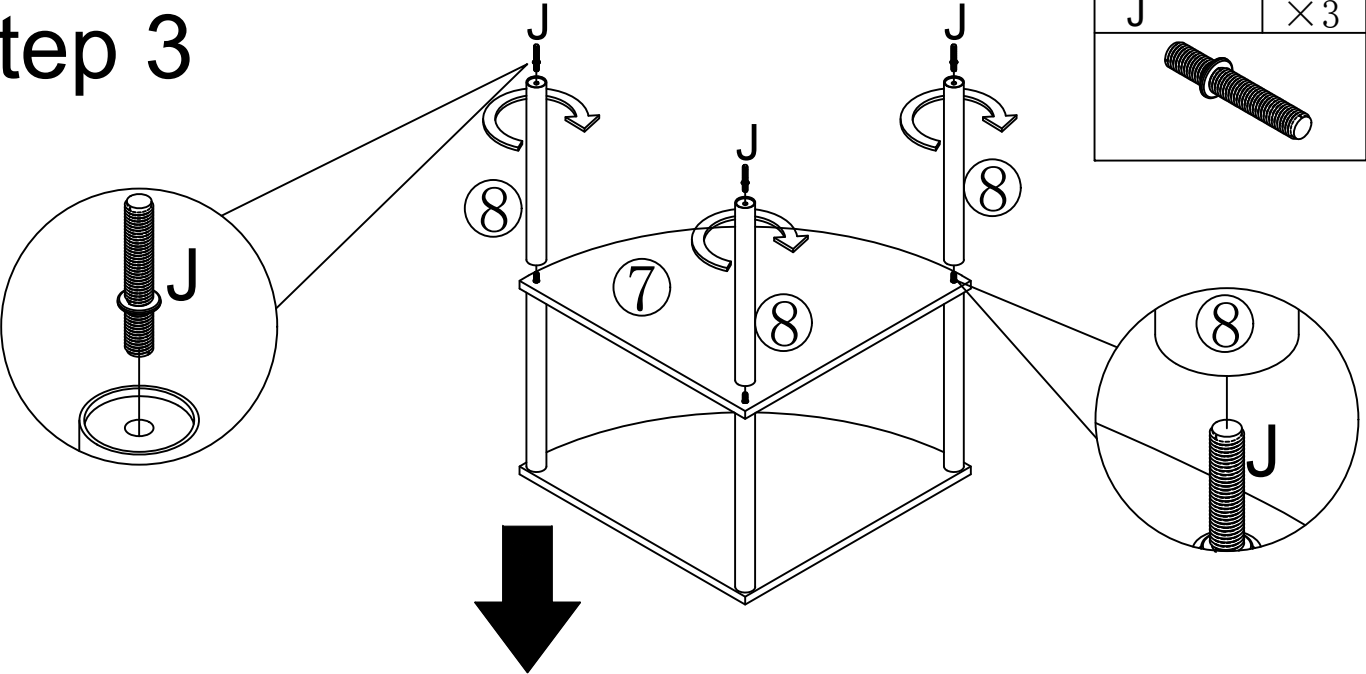
Step 1



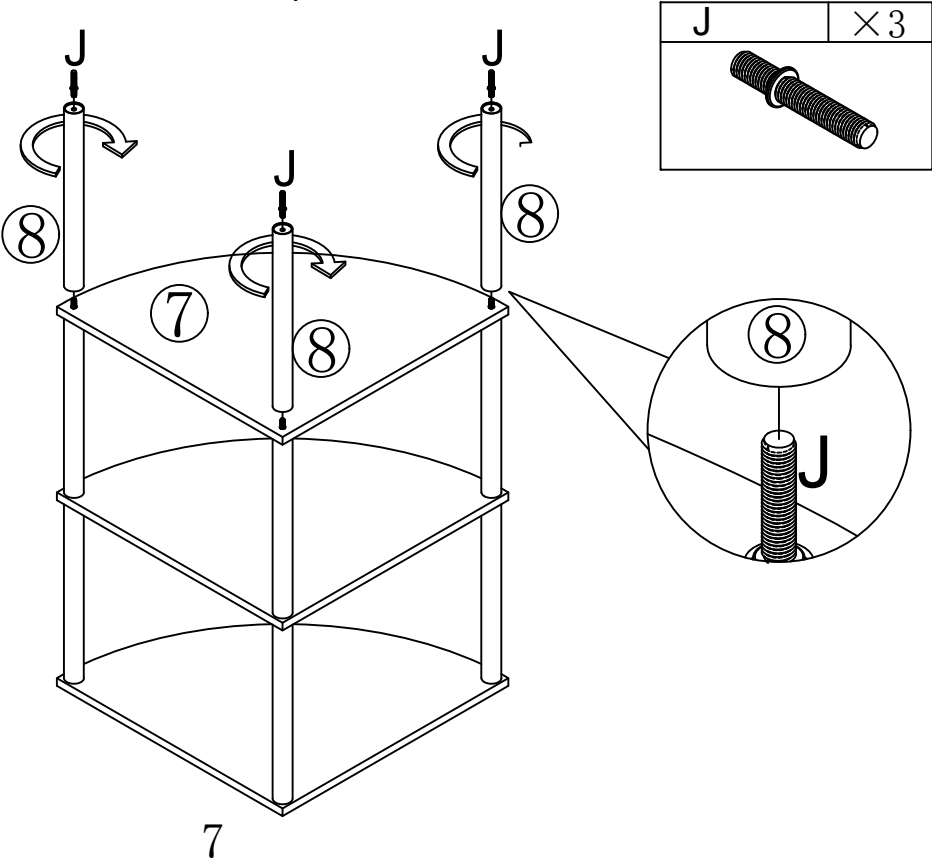
Step 2



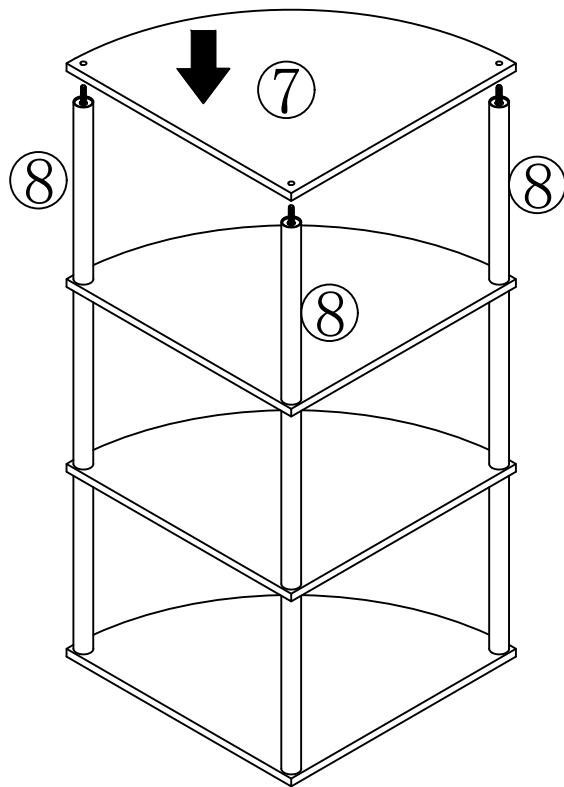
Step 3



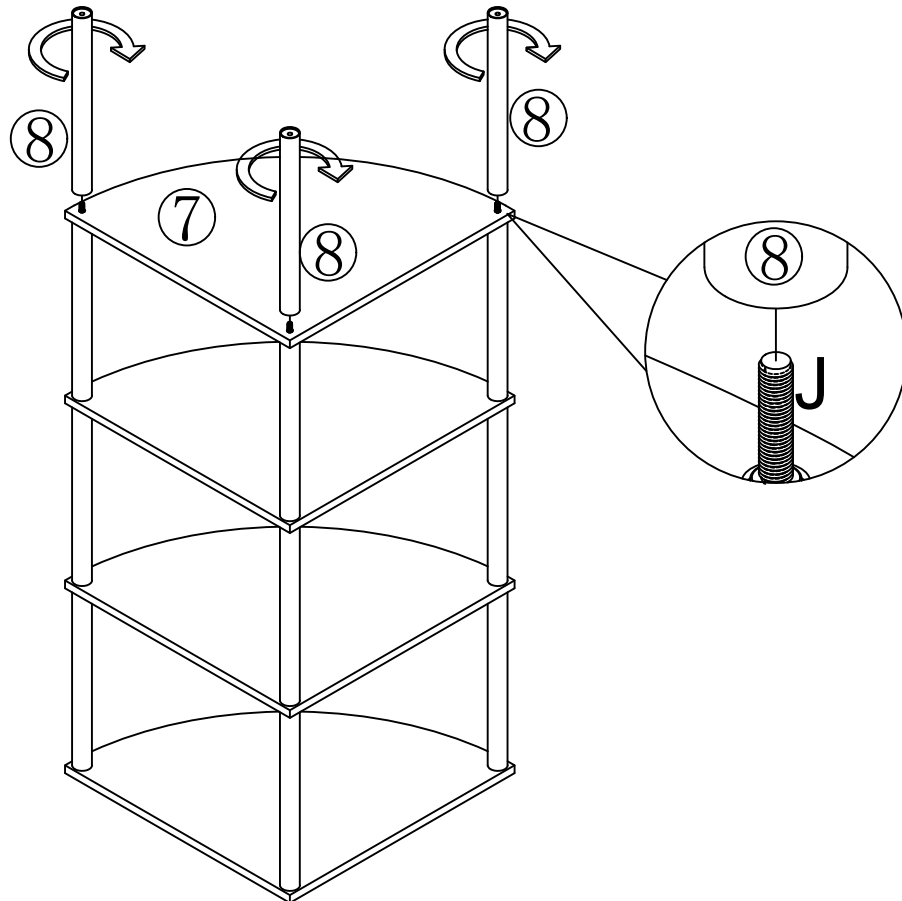
Step 4



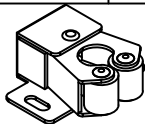

Step 5

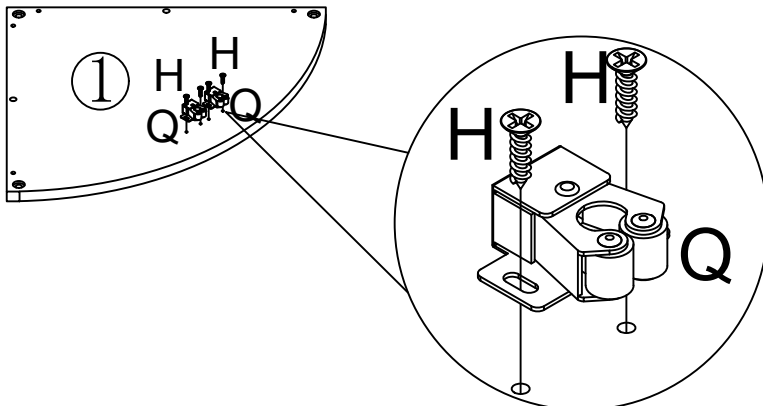


Step 6




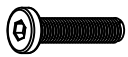
Step 7

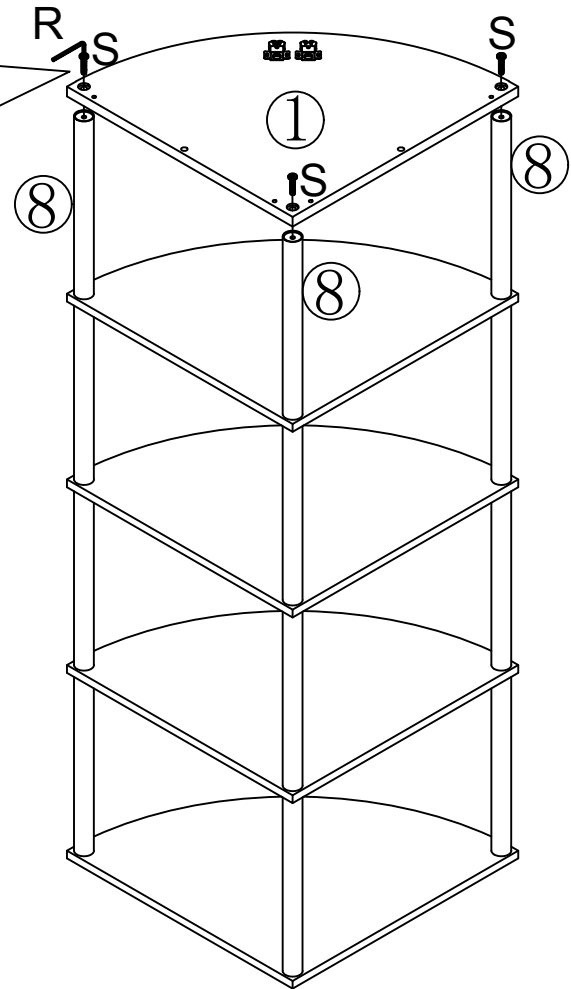
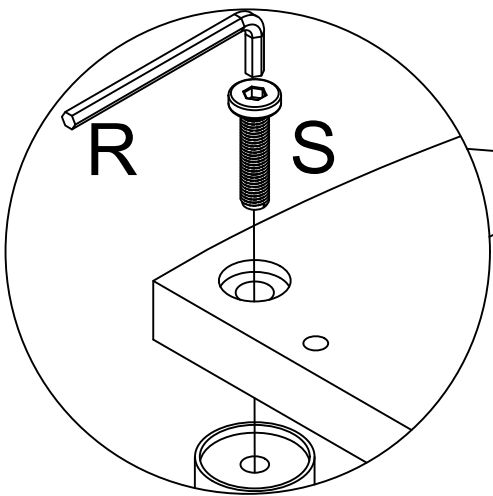
Q	×2	H	×4
			



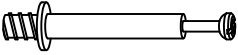

Be careful not to lock the (Q) lock of the hardware crooked

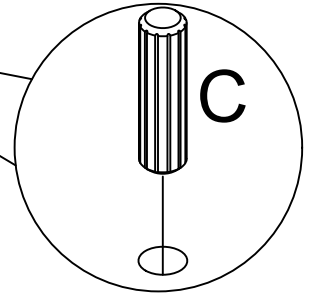
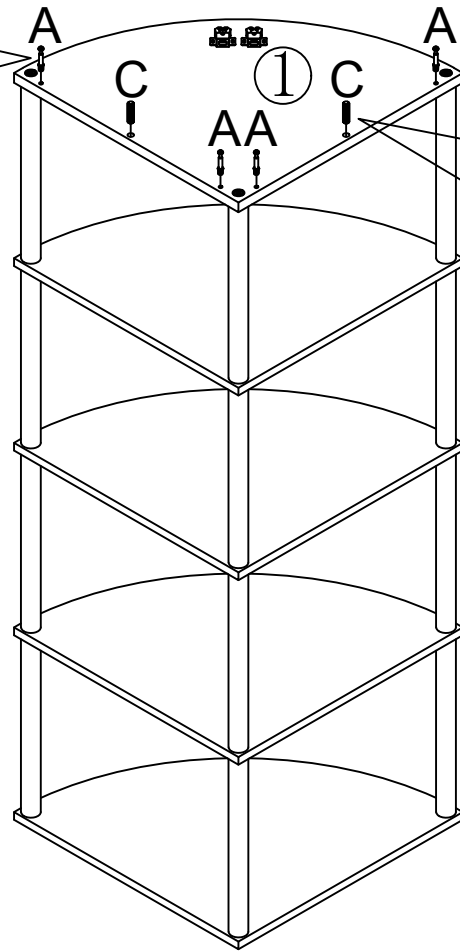
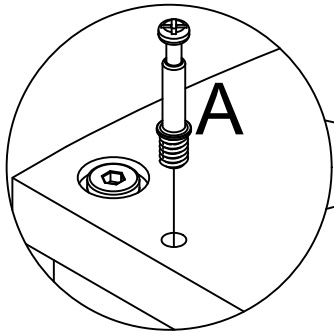
Step 8

R	×1	S	×3
			

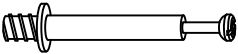



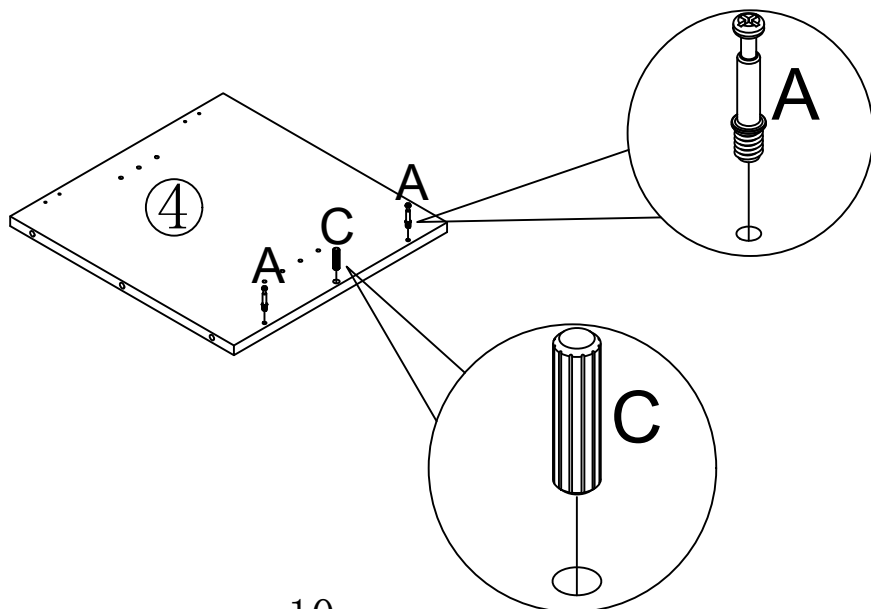
Step 9

A	×4	C	×2
			

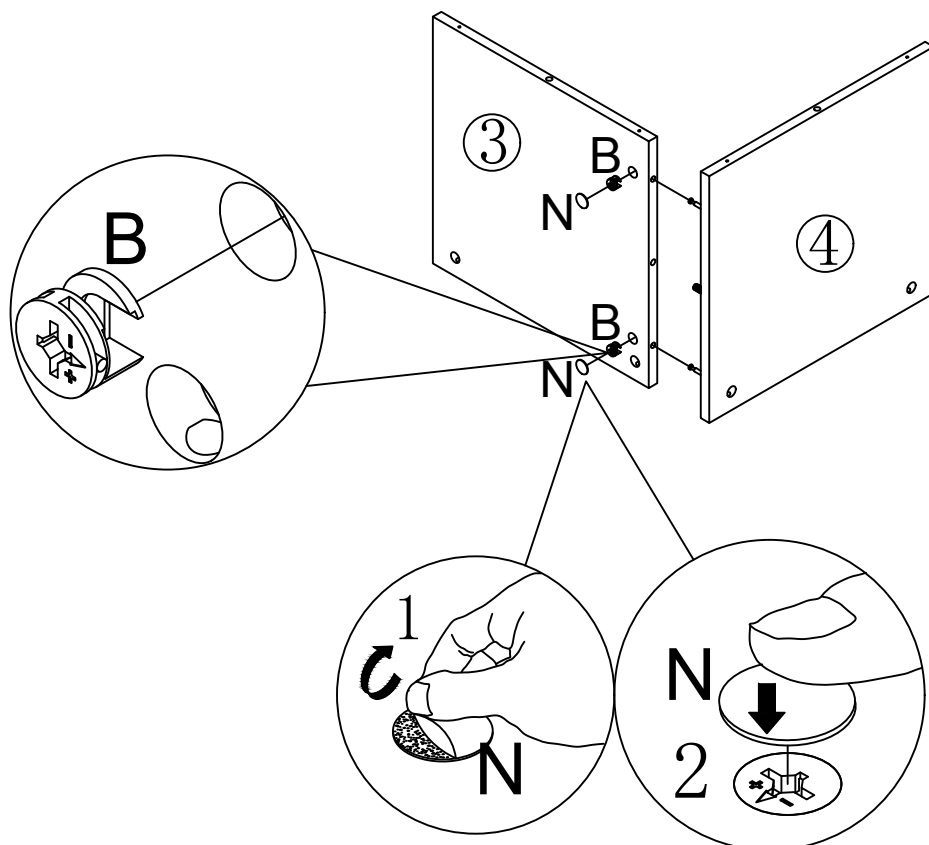
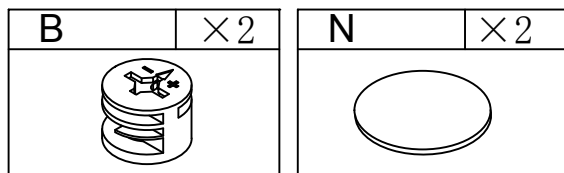


Step 10

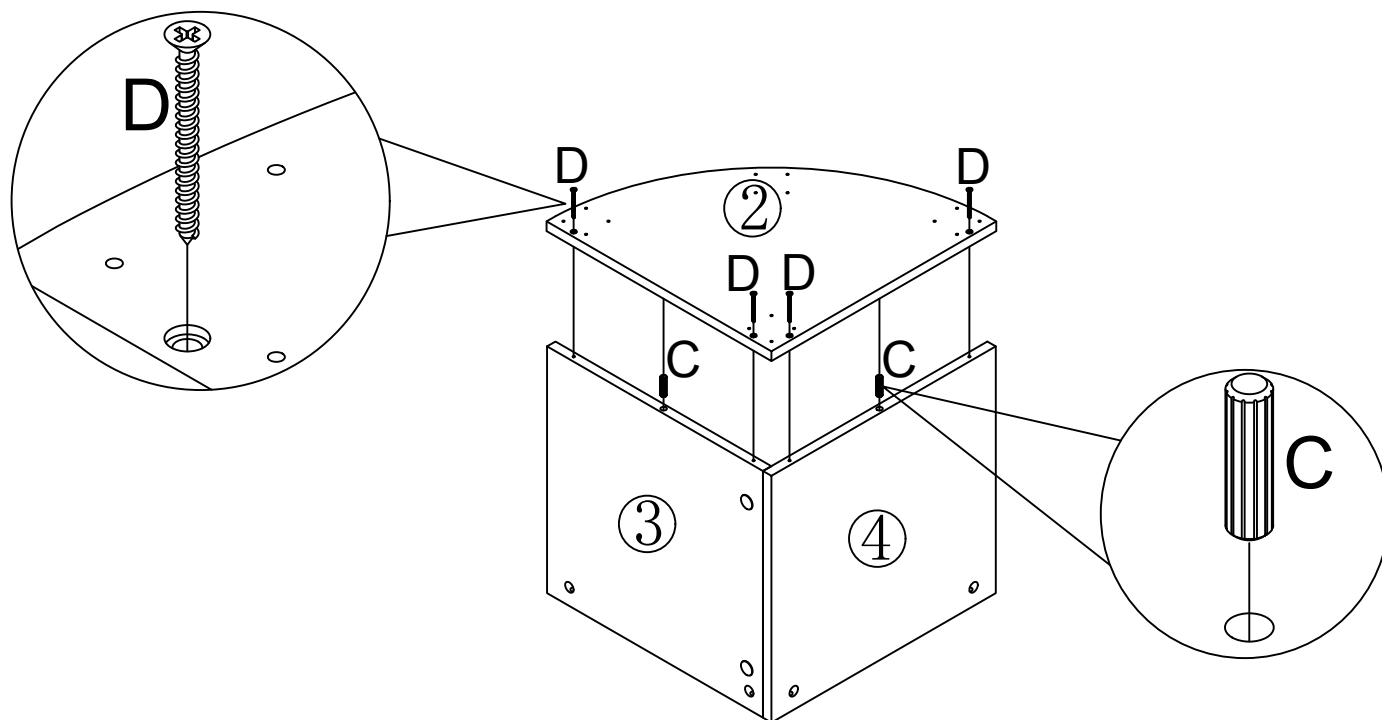
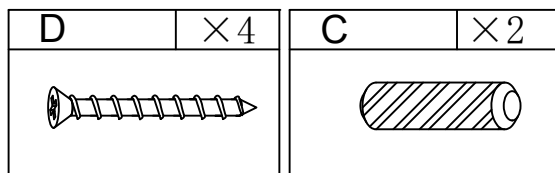
A	×2	C	×1
			



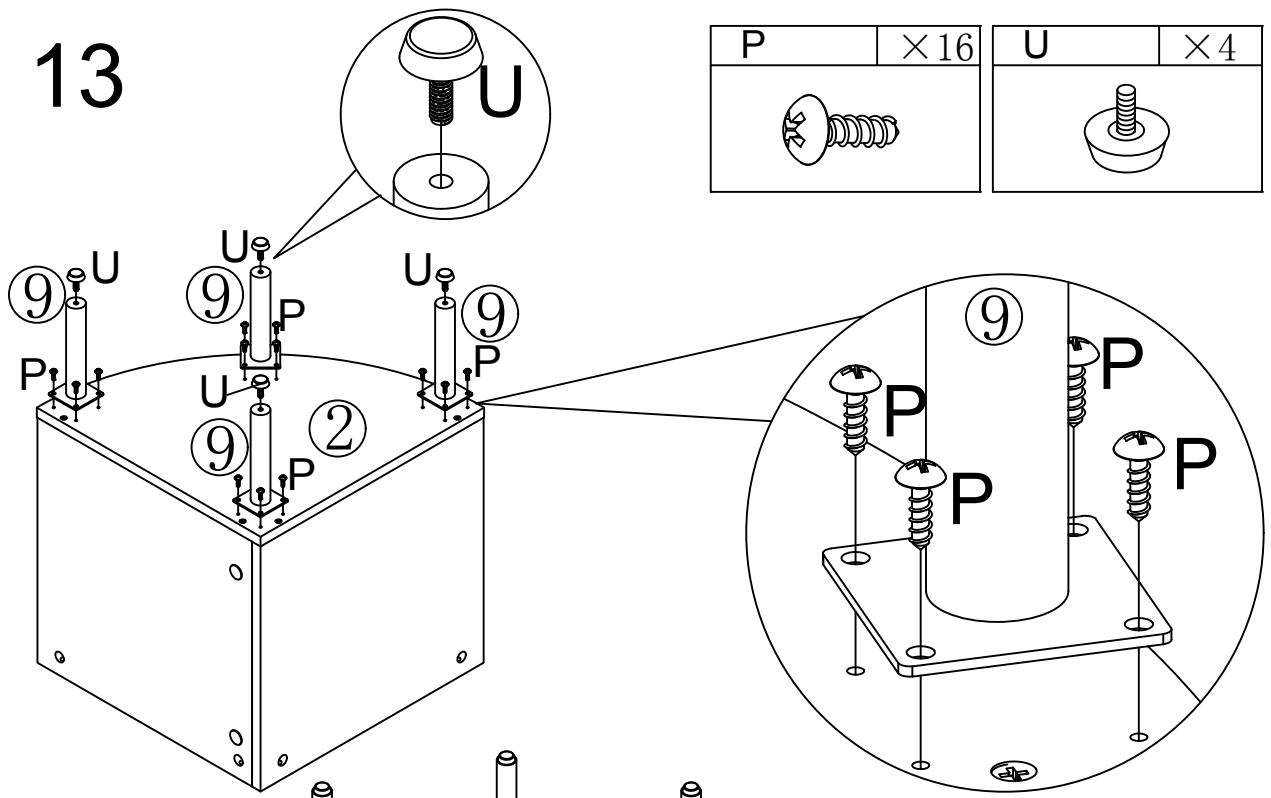
Step 11



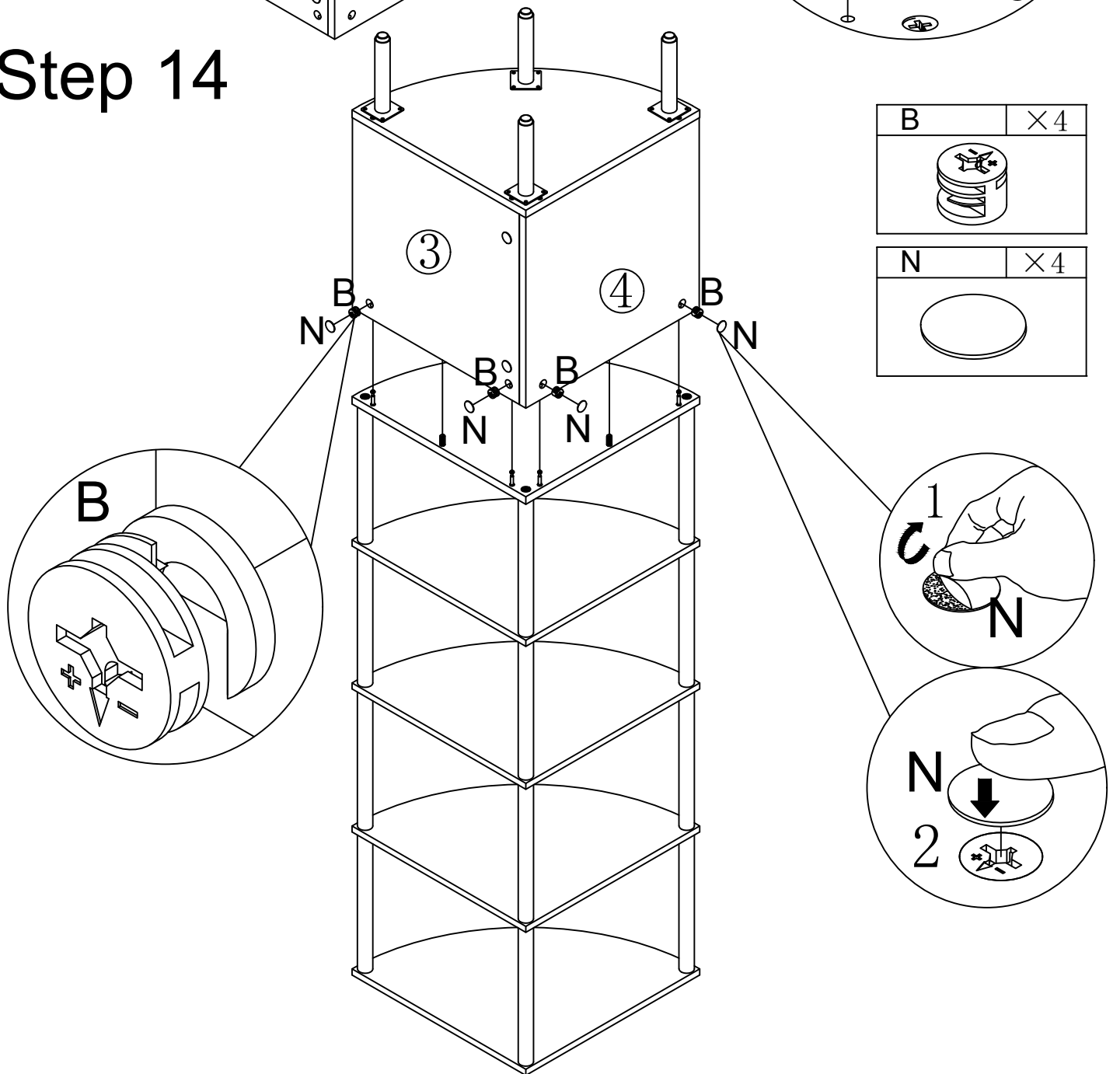
Step 12



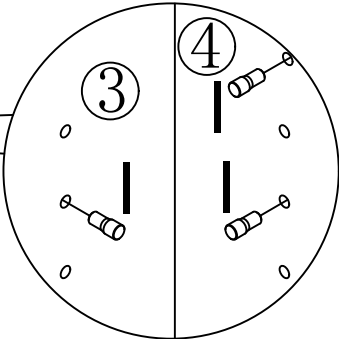
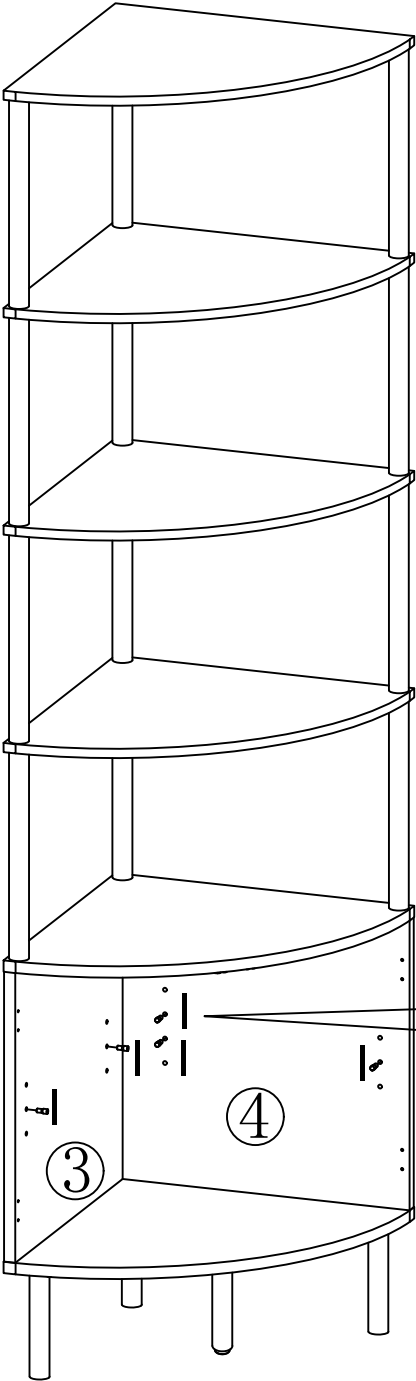
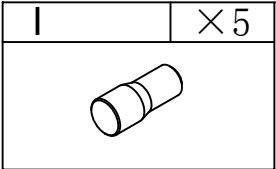
Step 13



Step 14

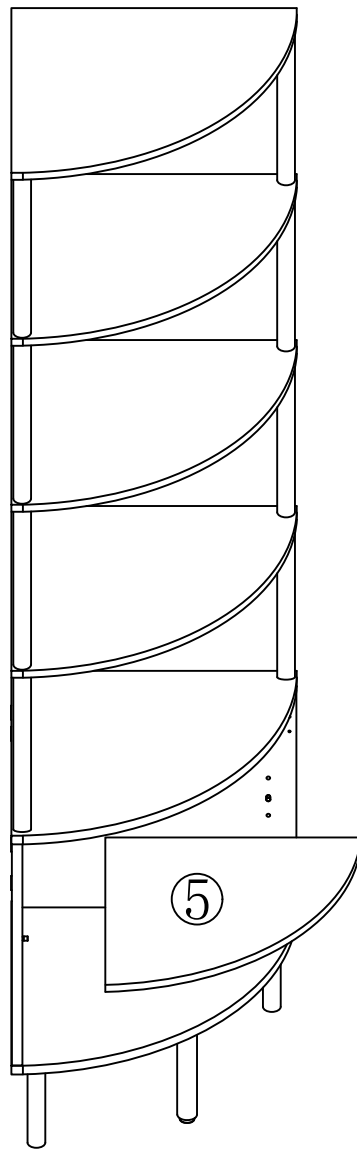


Step 15



Note the placement of hardware (I)

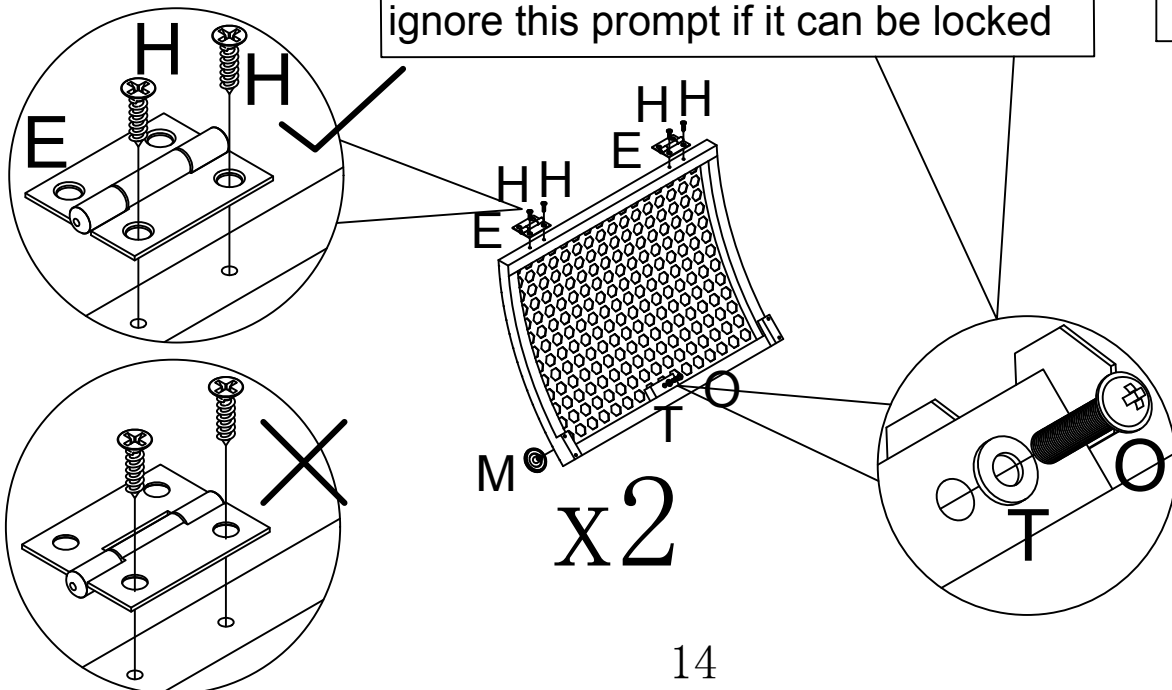
Step 16



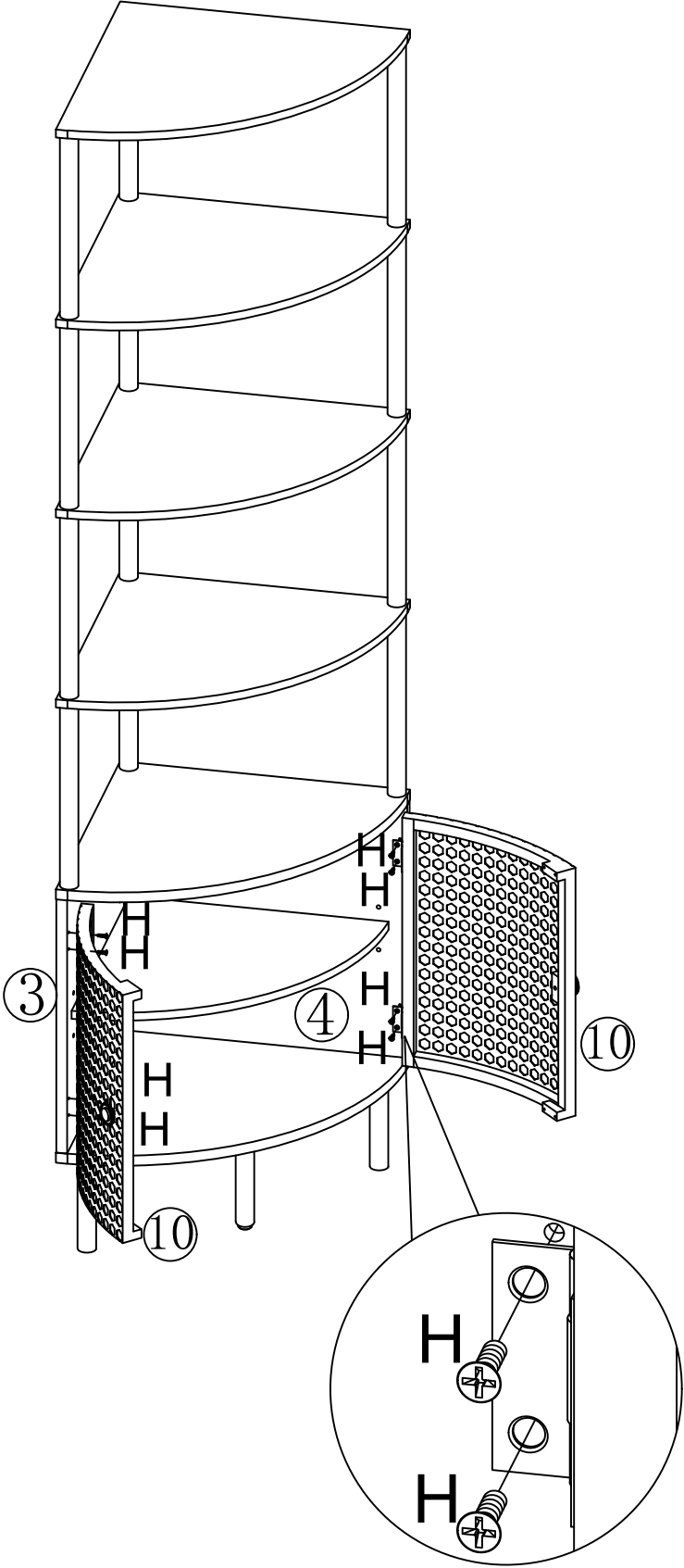
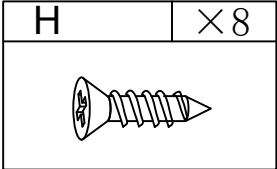
Step 17

E	×4	H	×8	M	×2	O	×2
						T	×2

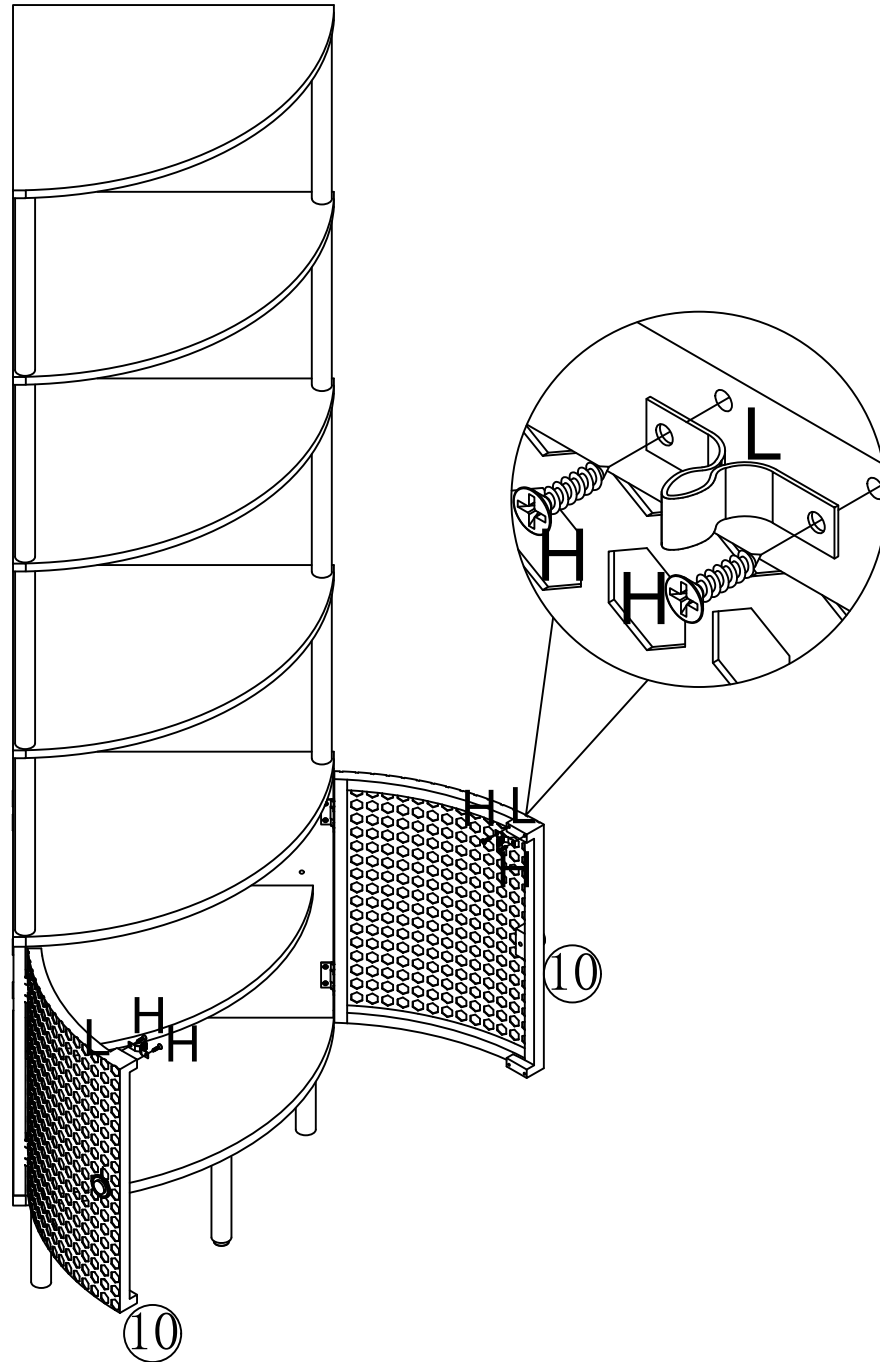
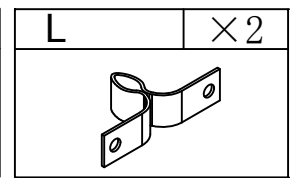
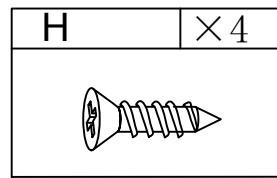
Attention! If screw (O) is too short to lock handle (M), remove washer (T), ignore this prompt if it can be locked



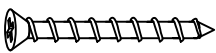
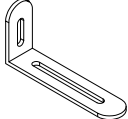
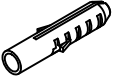
Step 18

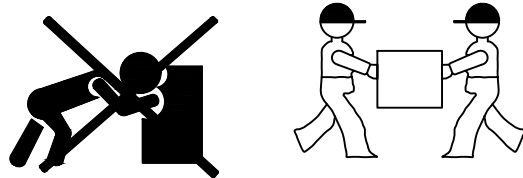
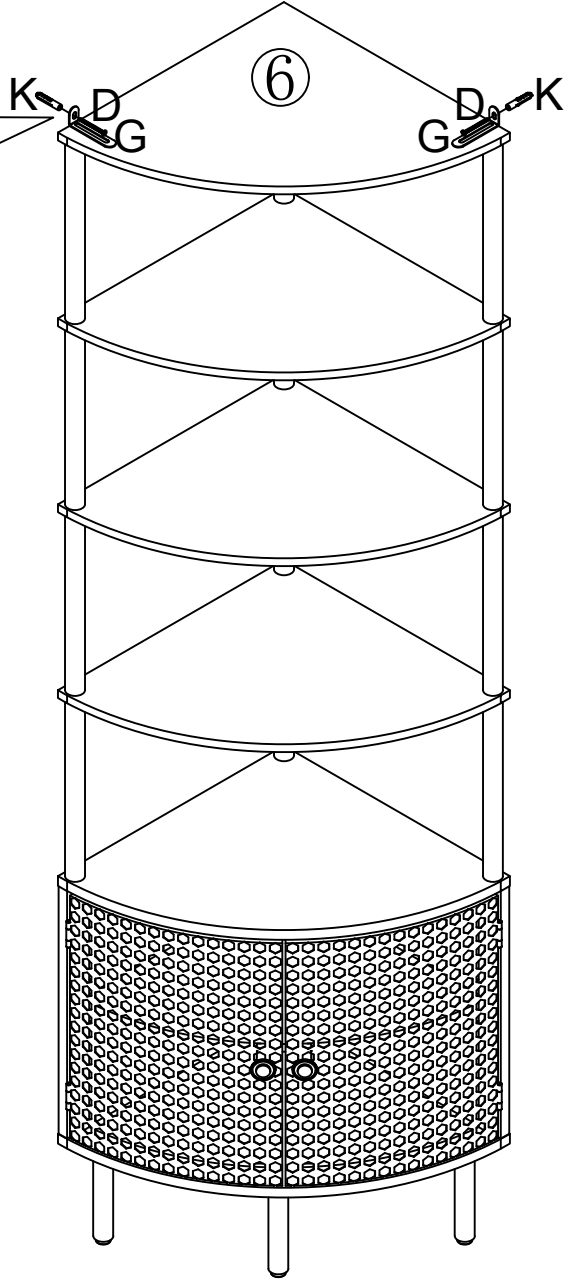
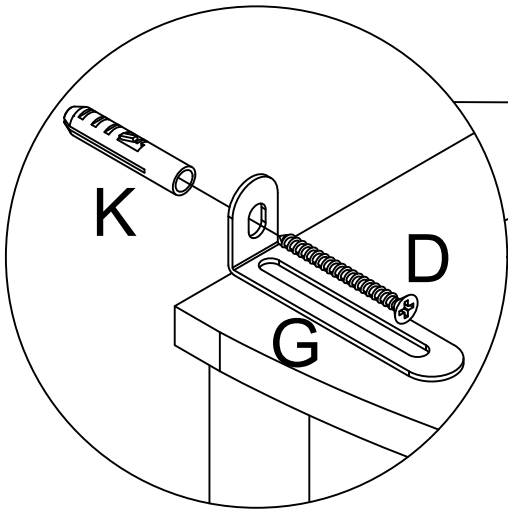


Step 19



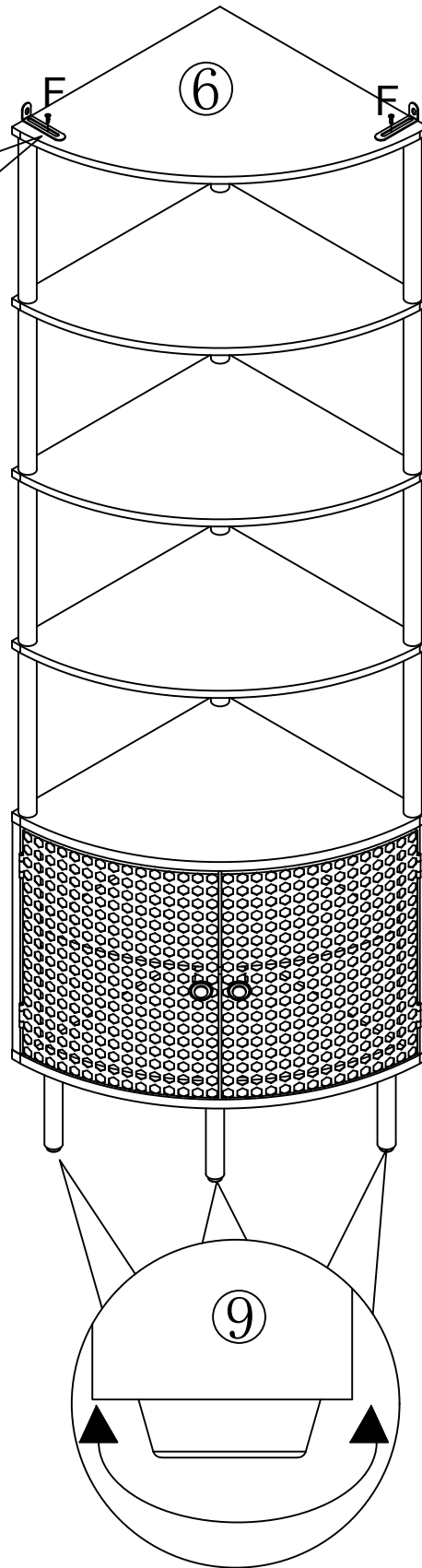
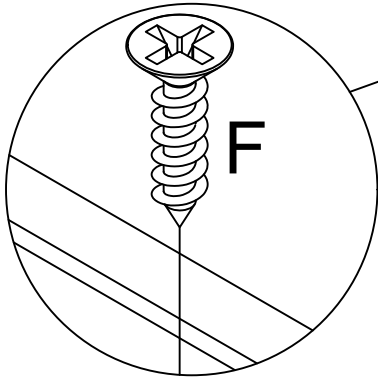
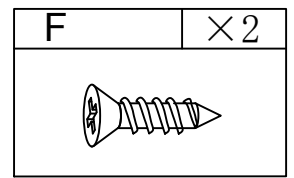
Step 20

D	×2	G	×2	K	×2
					



Two people work together to move the table.
Make sure you lift it off the ground.
Don't push and pull.

Step 21



If the cabinet is unstable and leans forward due to an uneven base plate or other reasons, the height up and down can be adjusted by regulating the adjustable foot pads on the ⑨th foot