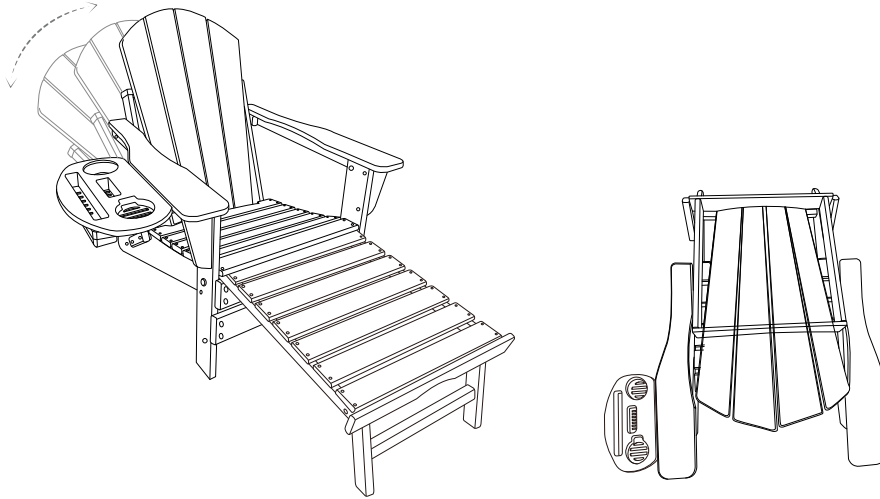


IMPORTANT
RETAIN FOR FUTURE REFERENCE
READ CAREFULLY

Assembly Instructions

(Reclining&Foldable)



Note:

1. Do not use electric screwdriver.
2. Two people are required to assemble this item. Assemble the item on a flat, solid and even surface.
3. Make sure that all the necessary parts are in the carton before starting the assembly.
4. Please secure all parts and bolts loosely, only when the frame is complete should you fully tighten the screws.
5. If any instability occurs, loosen the screws, re-align the components as necessary and re-tighten the screws evenly.
6. This item is not a climbing frame or toy.
7. Danger of suffocation. Keep out of reach of children.

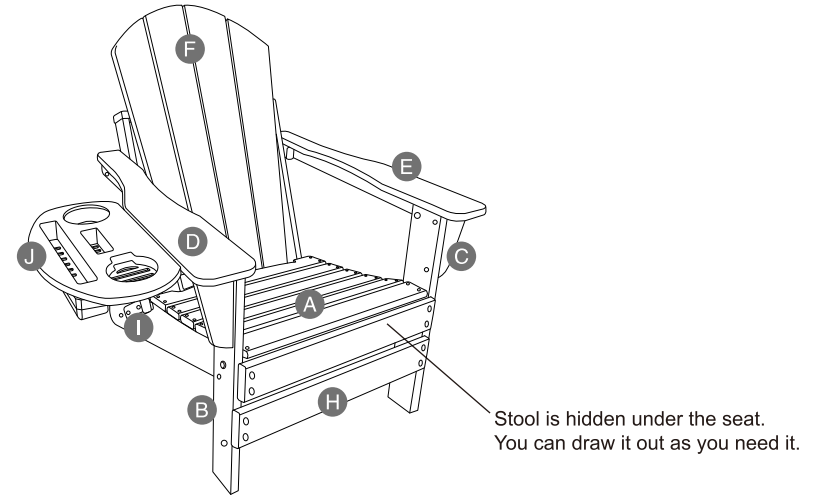
Congratulations!

You have made an excellent choice of this quality product. Our commitment to quality also includes our service. Should you, contrary to expectations, experience defects due to manufacturing faults, we will provide you with a warranty against defects. Please feel free to contact us if you have any questions.

We should be glad to help! As valued customer, you can enjoy your great service of quick responds on your inquires;




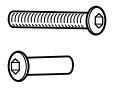




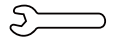



Warranty!

The product is guaranteed to be free from defects in workmanship and parts for a period of 12months from the date of purchase. Defects that occur within this warranty period, under normal use and care, will be repaired, replaced or refunded at our discretion.

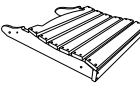
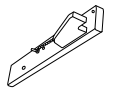
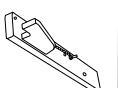


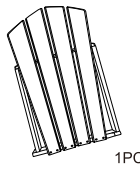






Stool is hidden under the seat.
 You can draw it out as you need it.

Hardware List

#1 M6 x 80mm BOLT  2PCS	#2 M6 x 60mm BOLT  2PCS	#3 M6 x 50mm BOLT  4PCS	#4 BOLT  2PCS	#5 M6 x 60 mm Screw  2PCS	#6 M6 x 50 mm Screw  6PCS
#7 M6 WASHER  10PCS	#8 M6 NUT  8PCS	#9 SPANNER  1PC	#10 ALLEN KEY 5S  1PC	#11 ALLEN KEY 4S  1PC	#12 M8x45mm BOLT  2PCS

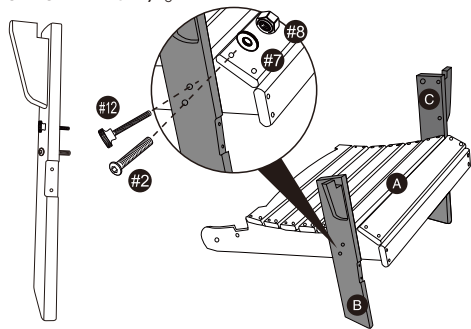
Parts List

A  1PC	B Right leg  1PC	C Left leg  1PC	D Right arm  1PC	E Left arm  1PC
F  1PC	G Short  1PC	H Long  1PC	I  2PCS	J 4 in 1 Cup Holder Tray  1PC

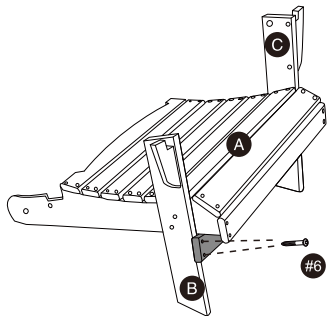
Note: The quantities above are for one single chair.

Assembly

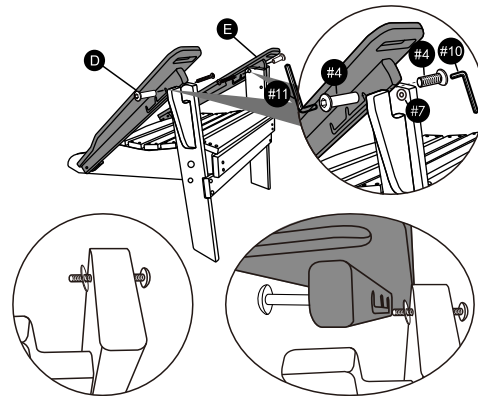
Step 1: Secure B(right leg)&C(left leg)to the part A(seat panel), using Hardware2 (M6x60mm) bolts and Hardware7 (Washer) 、Hardware8 (M6 Nut), Meanwhile Hardware12 (M8x45mm Bolt) 。



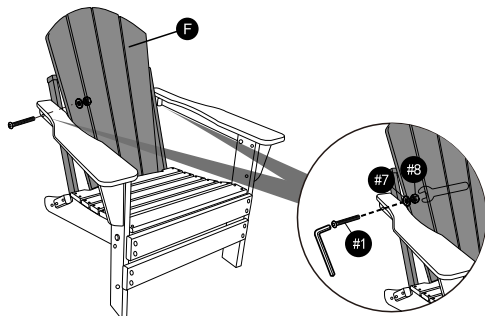
Step 2: Attach part A(seat panel) to the finished part in step 1, using Hardware2 (M6x60mm Bolt), Hardware7 (Washer) and Hardware8 (M6 Nut). Meanwhile, insert in the chain bolts.



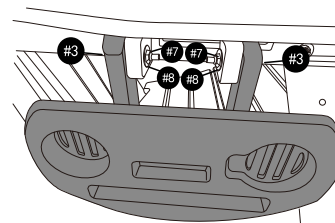
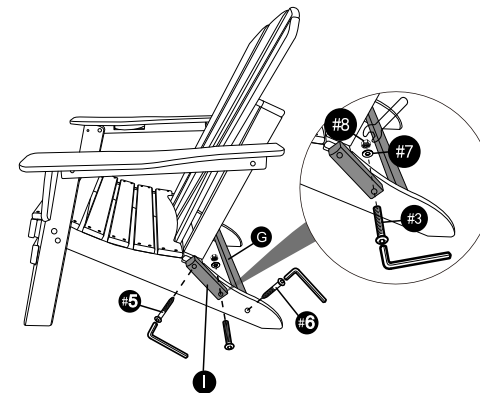
Step 3:Secure part D(right armrest)to the right leg,and attach part E(left armrest) to the left leg using Hardware 4 and Hardware7(Washer).



Step 4: Attach part F(back panel) to the armrests using Hardware1 (M6x80mm Bolt), Hardware7 (Washer) and Hardware8 (M6 Nut).

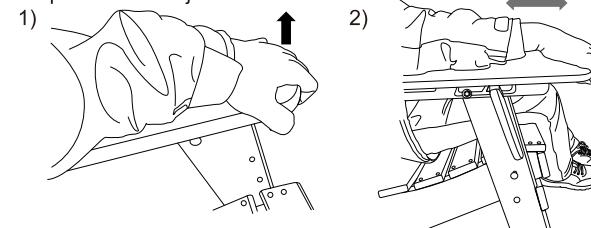


Step 5: Connet part G (back cross-piece) to the seat panel using Hardware6 (M6x40mm Screw). Secure the upper hole of part I to the back panel using Hardware5 (M6x60mm Screw). Secure the lower hole of part I to the seat panel using Hardware3 (M6x50mm Bolt), Hardware7 (Washer) and Hardware8 (M6 Nut). Repeat the part I assembly on the other side. Assembly is complete.



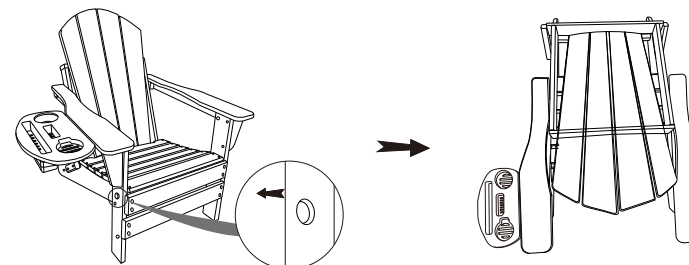
Step 6:Secure part J(4 in 1 Cup Holder Tray) to the right armrest, using Hardware3 (M6 x 50mm Bolt), Hardware7 (Washer) and Hardware8 (M6 Nut).

Step 7: How to adjust this recliner chair?



Step 8: How to fold and unfold this recliner chair?

Before you need to fold this chair, please push back the stool first, take down the chain bolts from the legs, then fold inwards the chair back and seat gently.



Please note that, when you need to unfold this chair, open gently, insert the chain bolts into the legs. Before that, you may need to push forward the back a little bit to make sure the holes align.