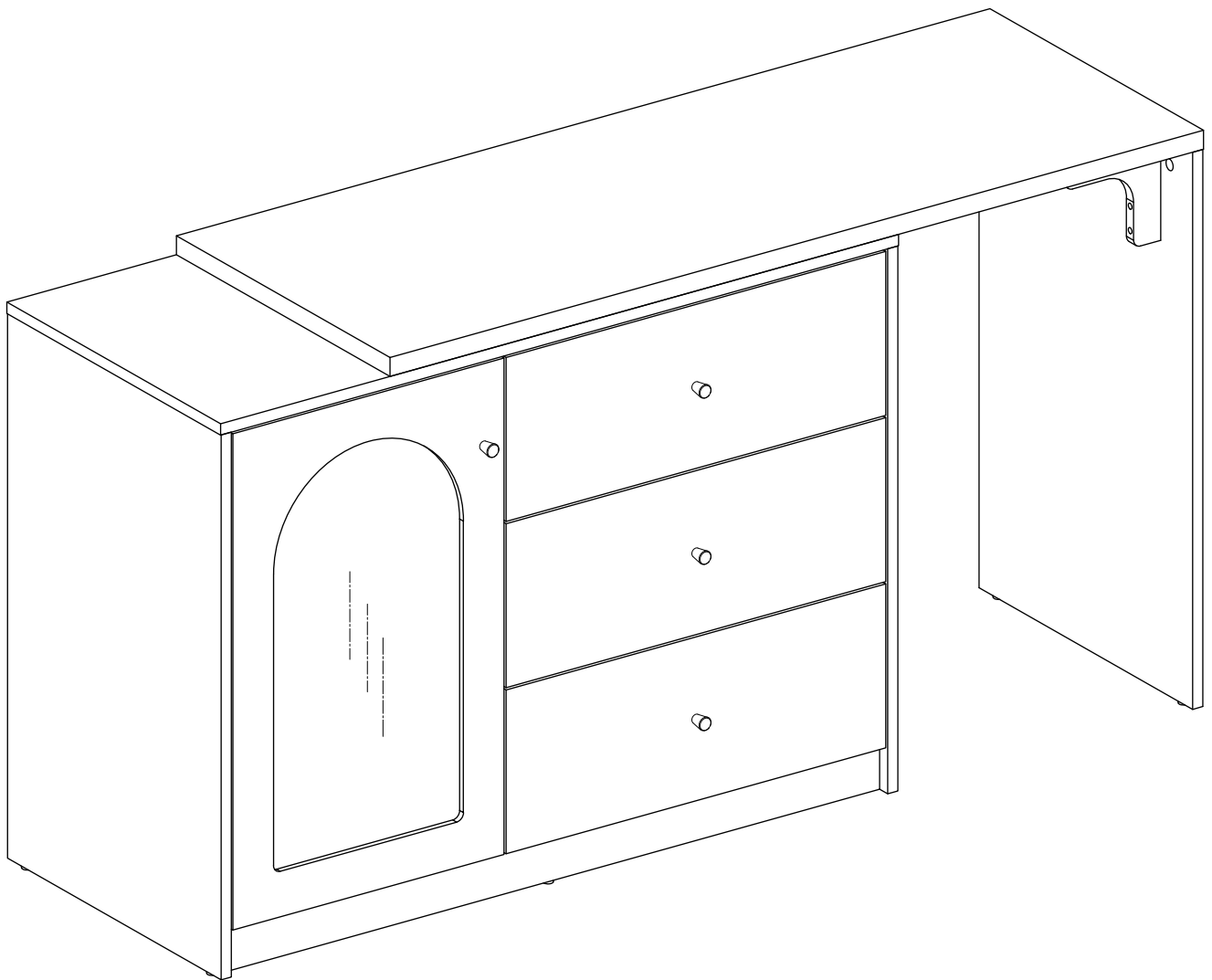


# Assembly Instructions



---

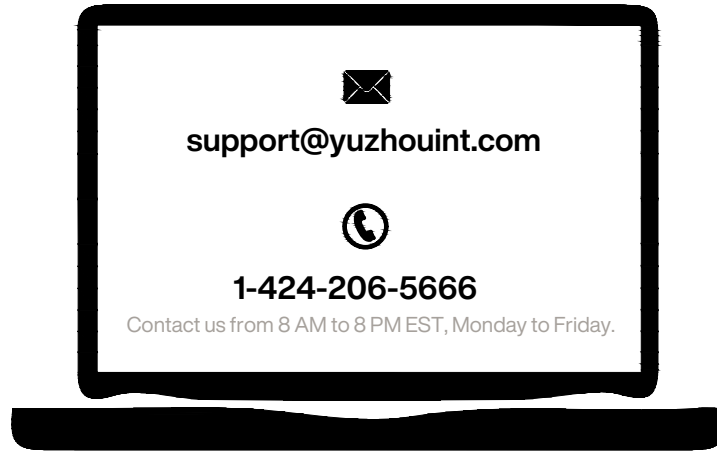
**Desk with Drawers**

Model No.  
HOGA-YS0334  
HOGA-YS0335  
HOGA-YS0340

---

# Contact Us

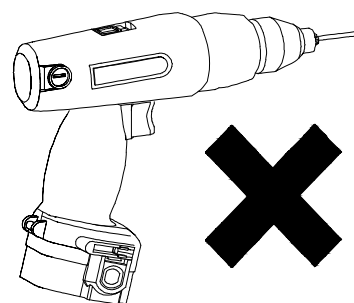
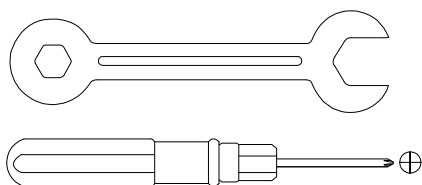
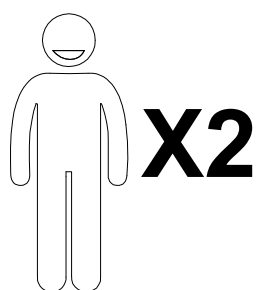
## We're here to help you.



Your satisfaction is our top priority. If you encounter any issues with this product, such as missing or damaged parts, we're here to help. Please retain the original packaging and take photos of the packaging and the product, then contact us as soon as possible.

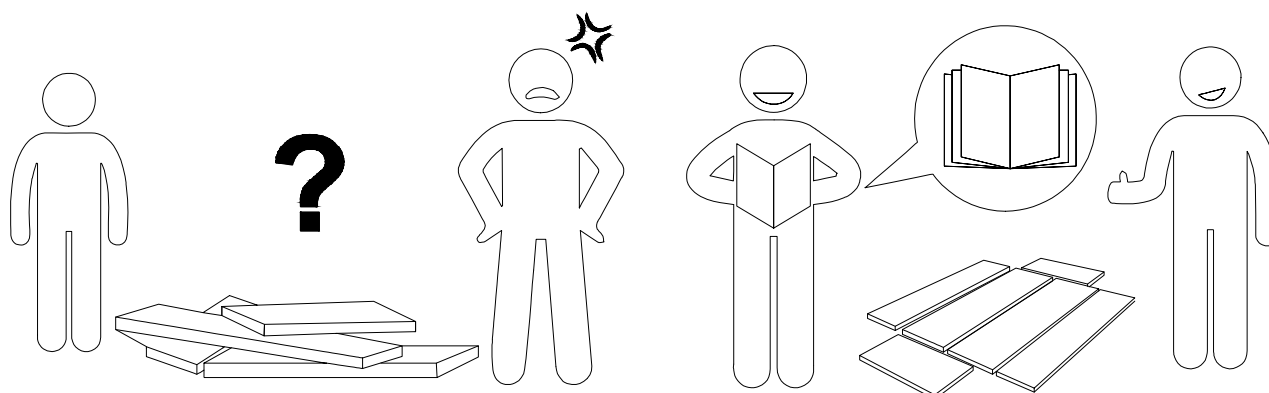
### Warm Tips

1. Carefully read these instructions and keep them for future reference.
2. Check the parts list and confirm everything's there before starting assembly.
3. When assembling, put all parts on a soft, smooth surface like a carpet to avoid scratches.
4. Don't fully tighten screws until all parts are confirmed in place to avoid misalignment.



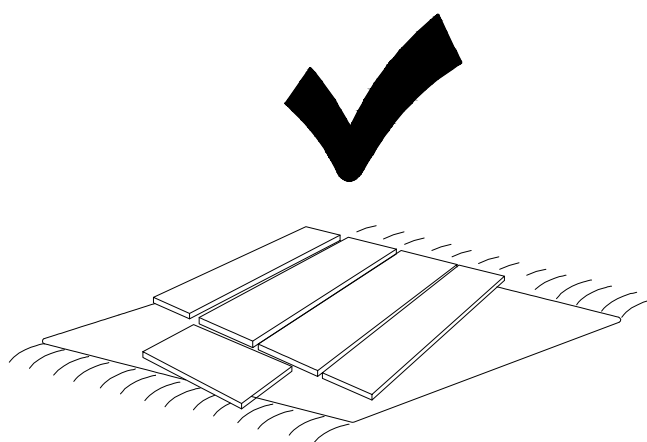
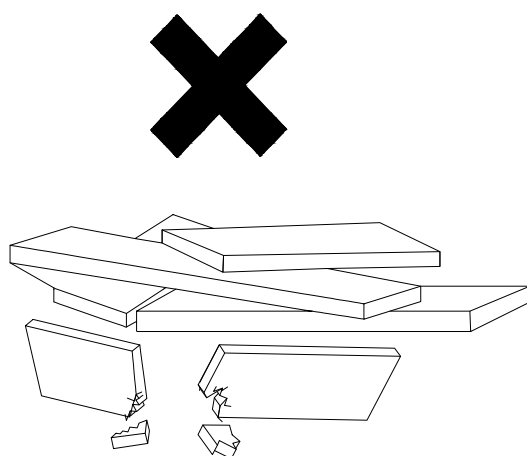
We recommend using hand tools for assembly.

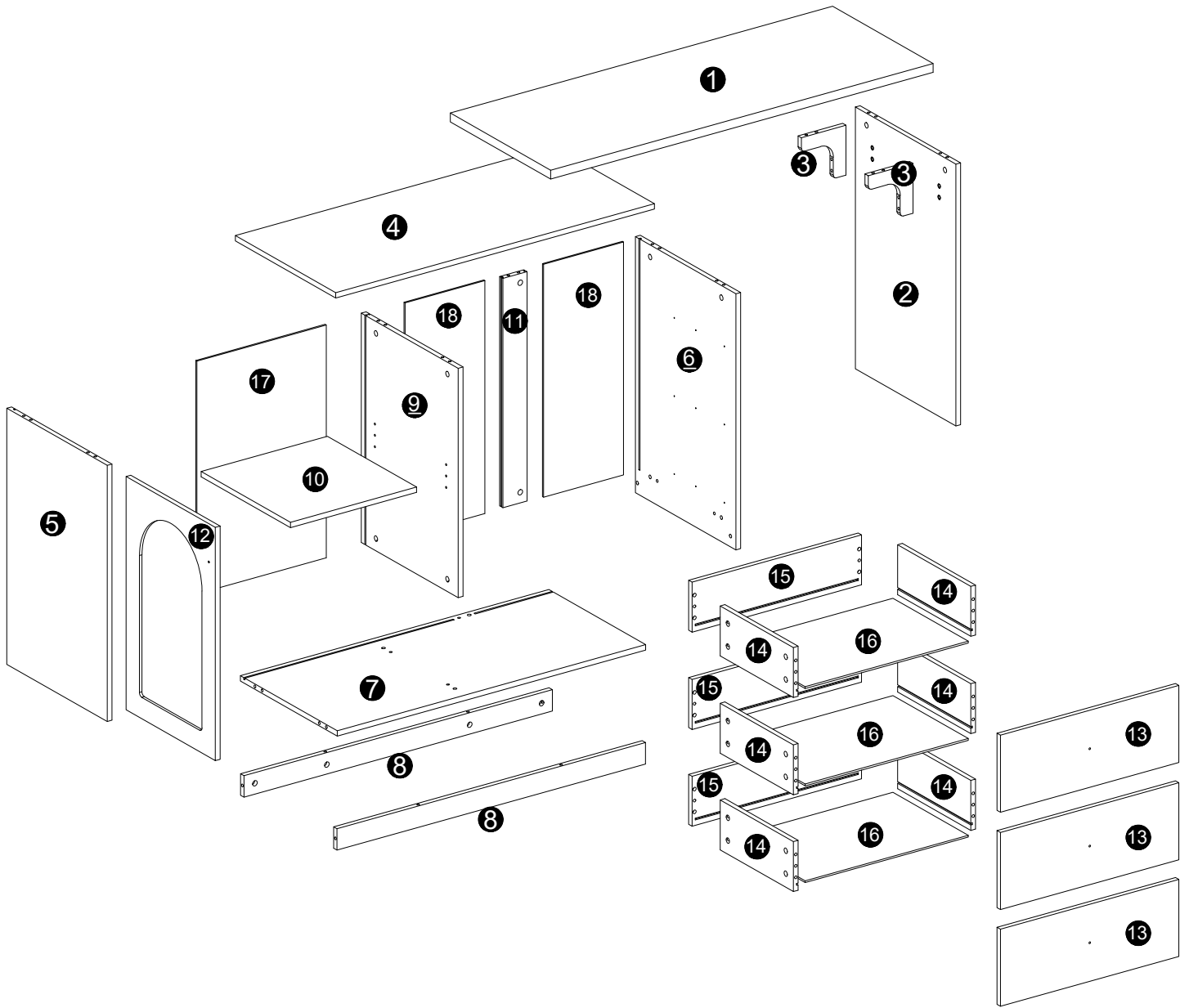
If an electric screwdriver is used, reduce power and torque to avoid damage to the product.



## AVOID SCRATCHES

In order to avoid scratching, this furniture should be assembled on a soft surface, such as a rug.

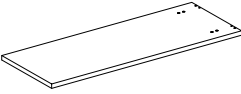

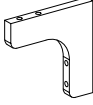
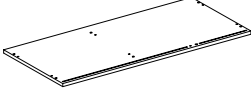
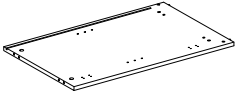
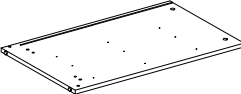
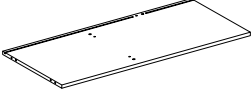
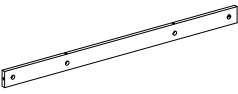

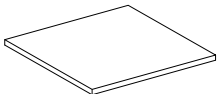

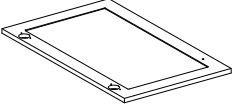
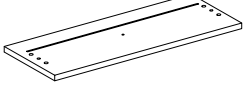
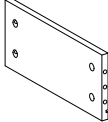
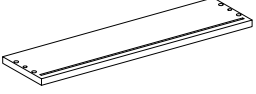
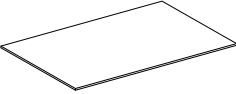

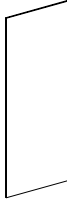




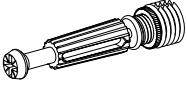
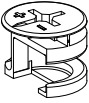

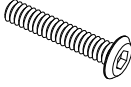
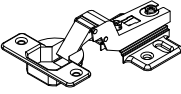

**⚠ Caution**

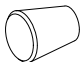
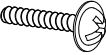
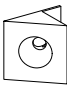
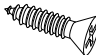
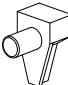
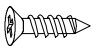
Make sure all parts are included. Most board parts are labeled or stamped on the raw edge. Contact us for a free replacement if you encounter any damaged or missing parts.


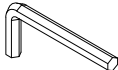
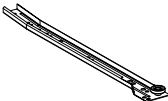
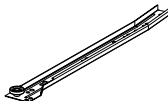
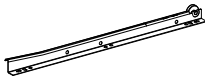
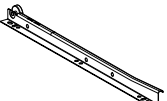
# Parts List


<p><b>1</b></p>  <p>1 pc</p>	<p><b>2</b></p>  <p>1 pc</p>	<p><b>3</b></p>  <p>2 pcs</p>	<p><b>4</b></p>  <p>1 pc</p>	<p><b>5</b></p>  <p>1 pc</p>
<p><b>6</b></p>  <p>1 pc</p>	<p><b>7</b></p>  <p>1 pc</p>	<p><b>8</b></p>  <p>2 pcs</p>	<p><b>9</b></p>  <p>1 pc</p>	<p><b>10</b></p>  <p>1 pc</p>
<p><b>11</b></p>  <p>1 pc</p>	<p><b>12</b></p>  <p>1 pc</p>	<p><b>13</b></p>  <p>3 pcs</p>	<p><b>14</b></p>  <p>6 pcs</p>	<p><b>15</b></p>  <p>3 pcs</p>
<p><b>16</b></p>  <p>3 pcs</p>	<p><b>17</b></p>  <p>1 pc</p>	<p><b>18</b></p>  <p>2 pcs</p>		

# Hardware List

A	B	C	D	E	F
					
Ø6x40mm	Ø15x12mm	Ø8x30mm	M6x50mm		3.5x14mm
49 pcs	49 pcs	29 pcs	9 pcs	2 pcs	13 pcs

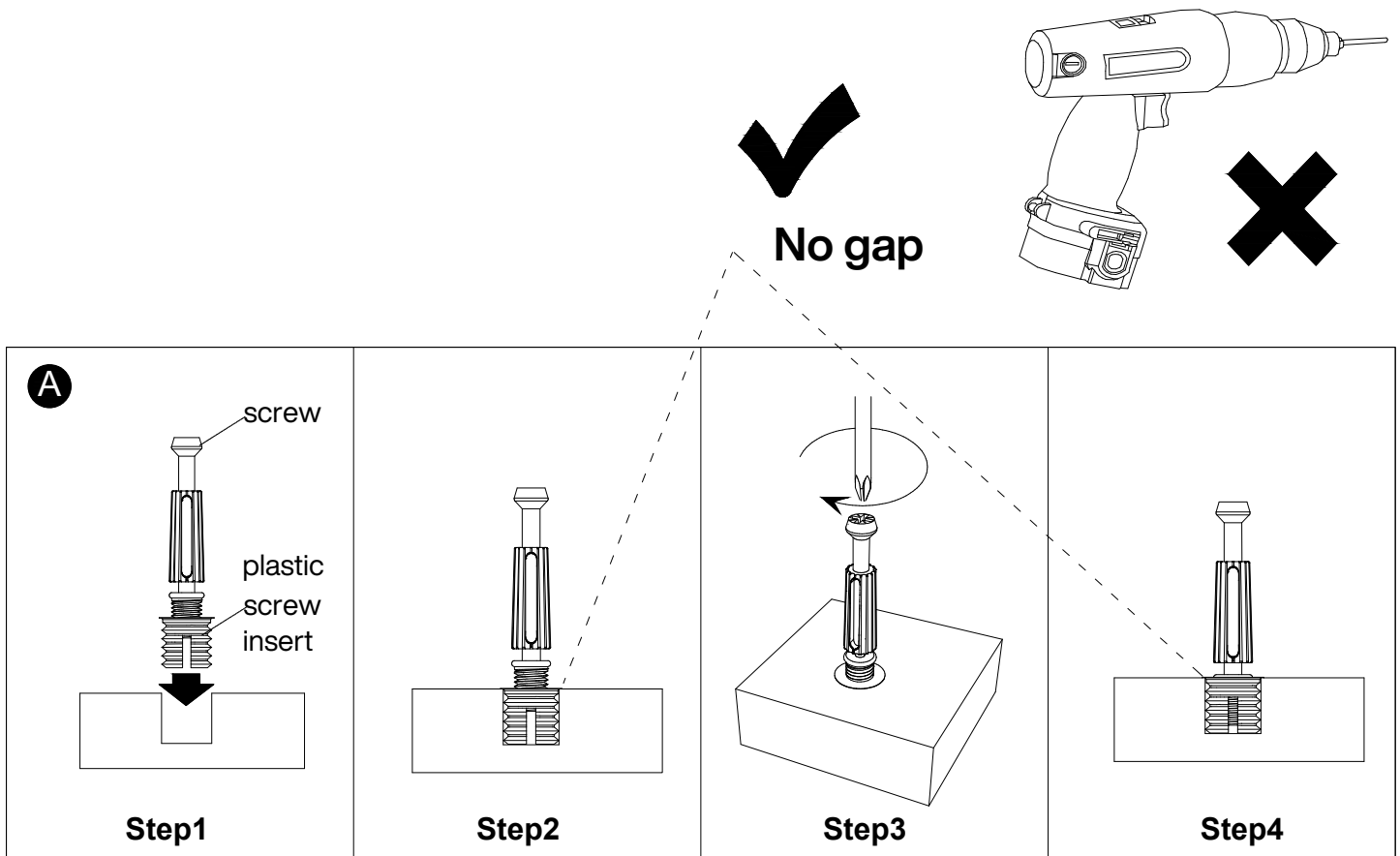
G	H	I	J	K	L
					
Ø19xØ12x20mm	M4x18mm	17x16x10mm	3x18mm	Ø5x10mm	3.5x12mm
4 pcs	5 pcs	12 pcs	13 pcs	4 pc	37 pcs

M	N	O	P	Q	R
					
Ø20mm	M4x65mm	350mm	350mm	350mm	350mm
6 pcs	1 pc	3 pcs	3 pcs	3 pcs	3 pcs

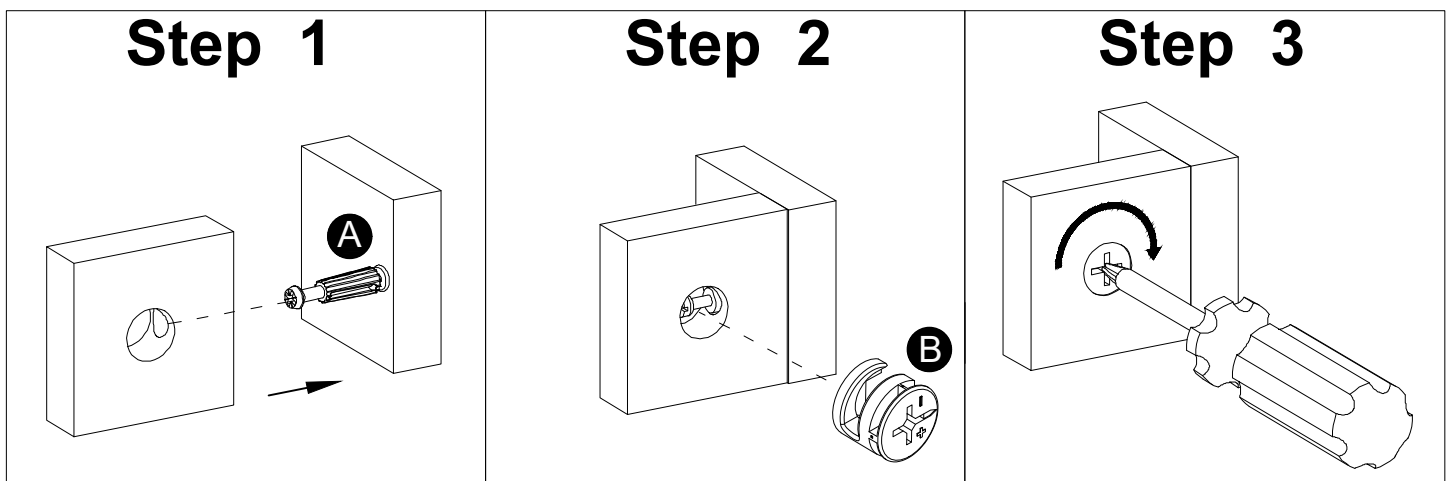
S

Ø20x2.2mm
4 pcs

## Installation of Cams and Pins

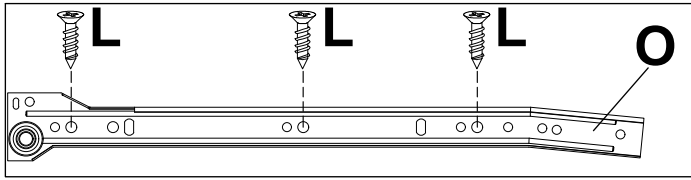
Step 1-2: Align the plastic part with the mounting hole and press it in. If you can't press it in, loosen the screw counter clockwise or completely remove the screw from the plastic part and try again.  
 Step 3-4: After pressing the plastic part into place, use a screwdriver to tighten the screw clockwise.

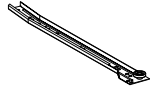
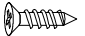


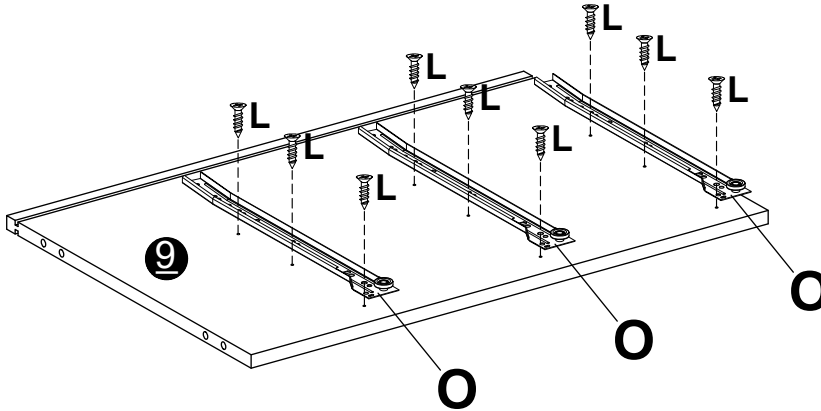
Screw the pin into the hole. Set the cams correctly by aligning the head of the cams with the lock pins. Lock the cam by turning the cam head with a screwdriver until it is tightened. Please do not use an electric screwdriver to assemble the unit.



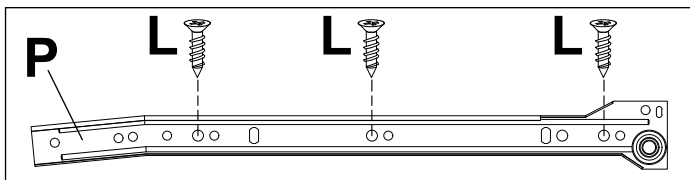
1

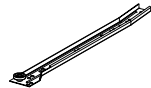
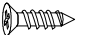


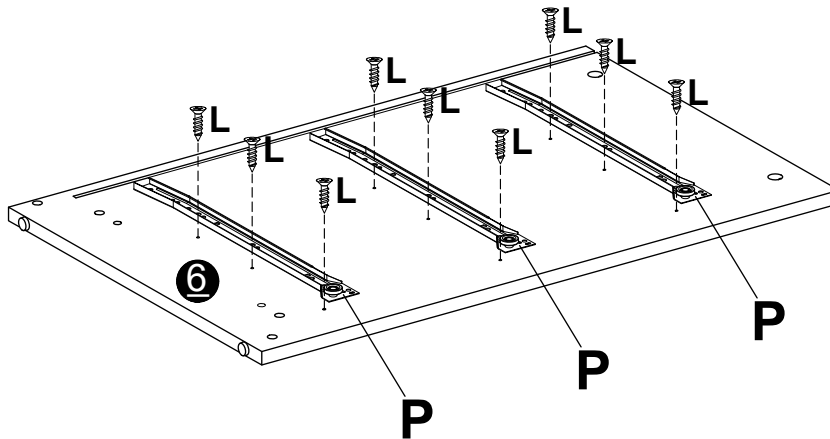
O	L
	
350mm 3 pcs	3.5x12mm 9 pcs



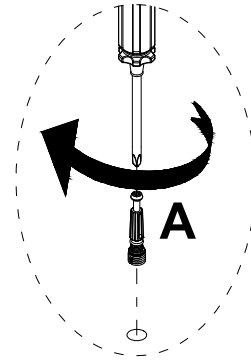
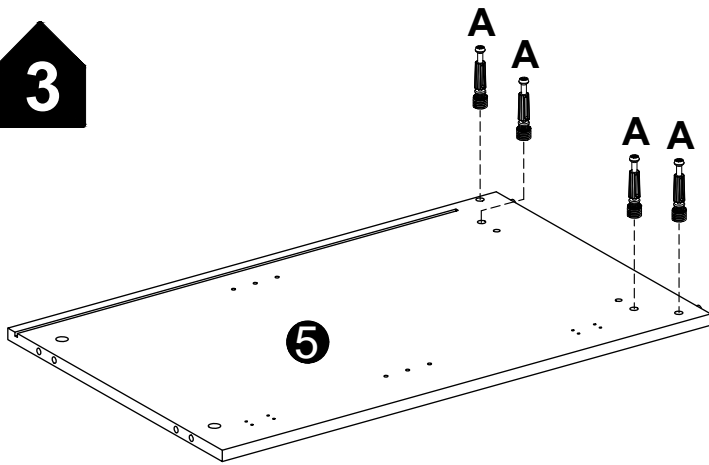
2

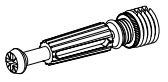


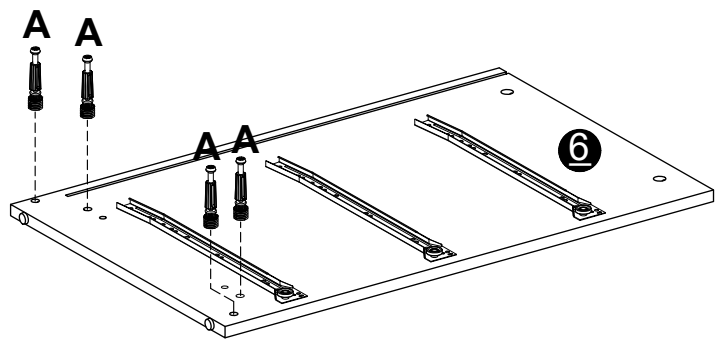
P	L
	
350mm 3 pcs	3.5x12mm 9 pcs



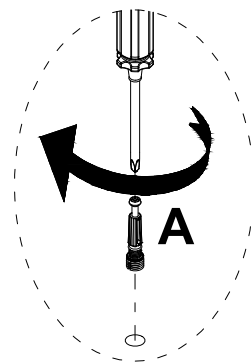
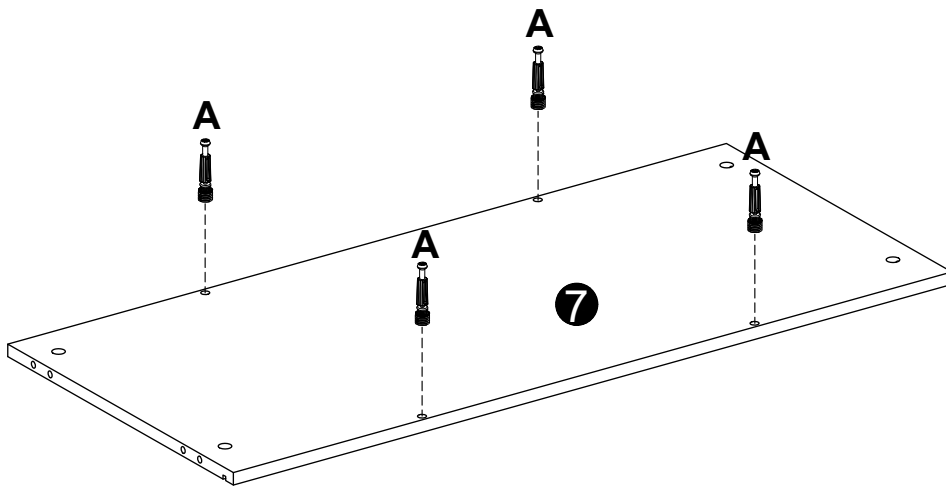
**3**

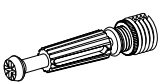


<b>A</b>

Ø6x40mm
8 pcs

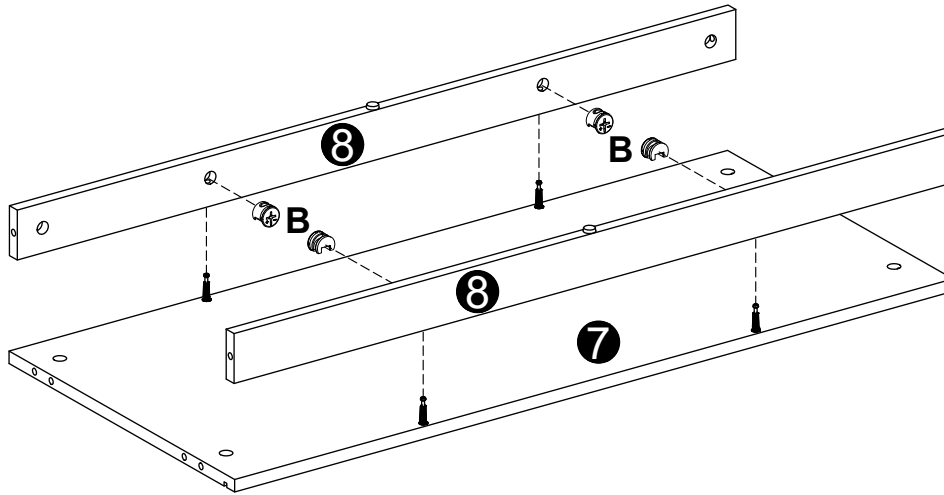


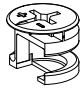
**4**

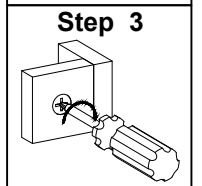
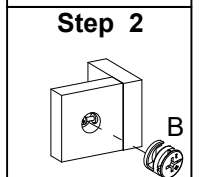
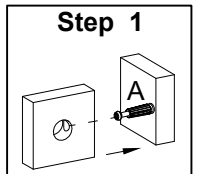


<b>A</b>

Ø6x40mm
4 pcs

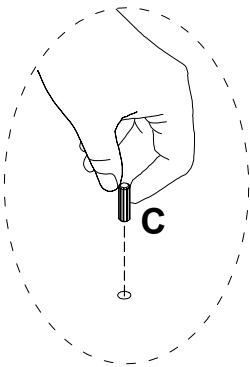
**5**

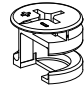



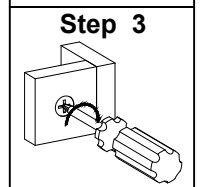
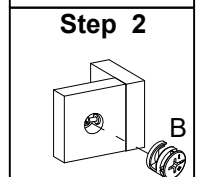
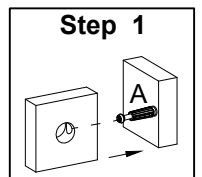
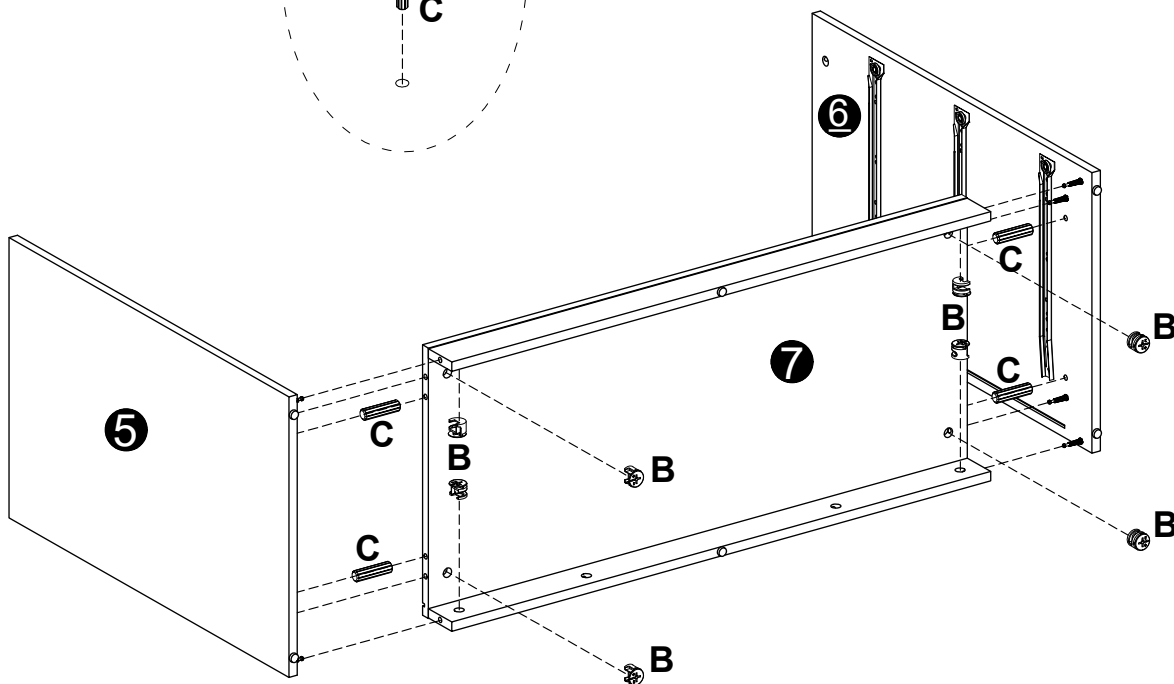
<b>B</b>

Ø15x12mm
4 pcs



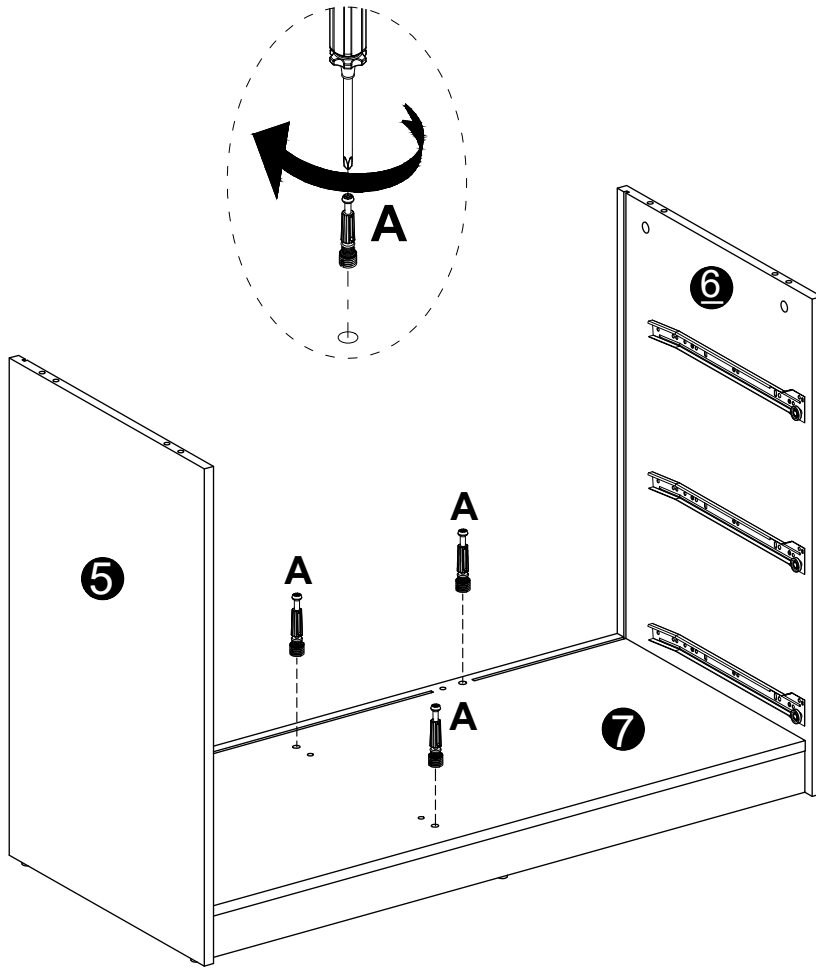
**6**

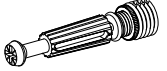


<b>B</b>	<b>C</b>
	
Ø15x12mm	Ø8x30mm
8 pcs	4 pcs

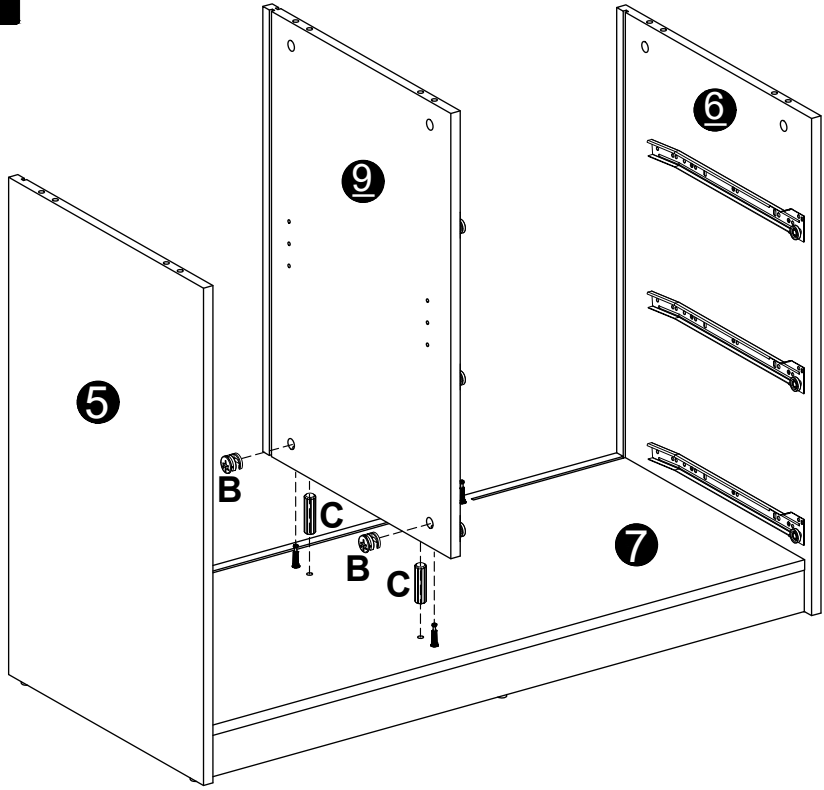


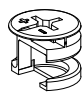

7

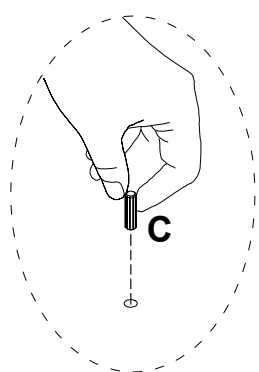


<b>A</b>

Ø6x40mm
3 pcs

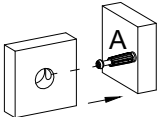
8



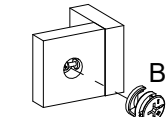
<b>B</b>	<b>C</b>
	
Ø15x12mm	Ø8x30mm
2 pcs	2 pcs



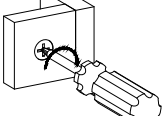
**Step 1**



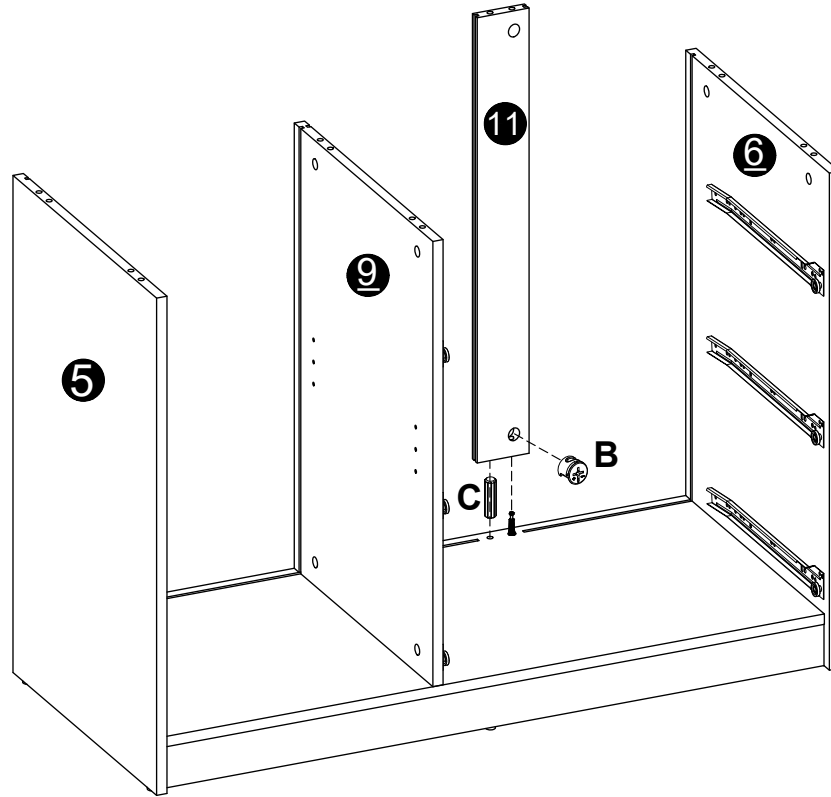
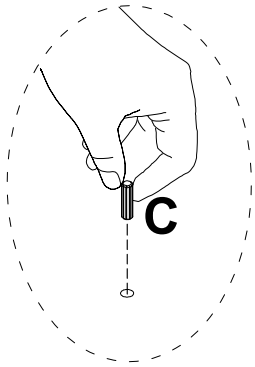
**Step 2**





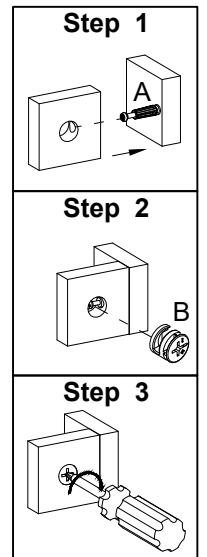
**Step 3**



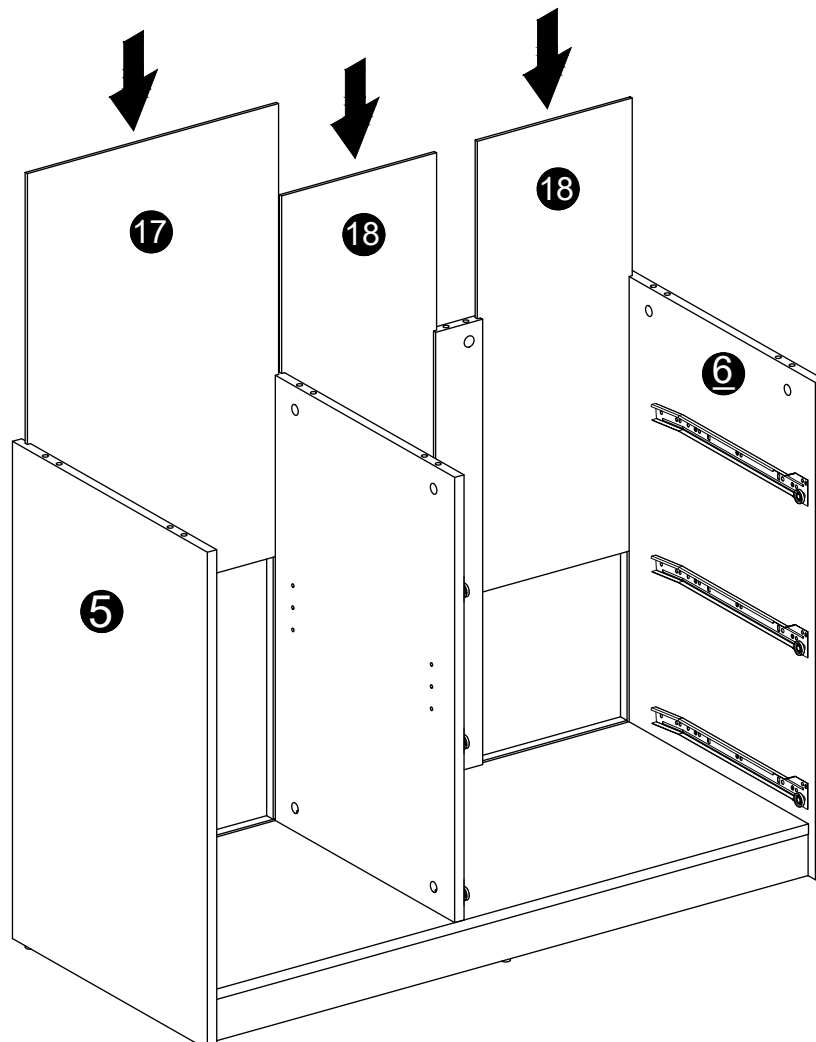
9



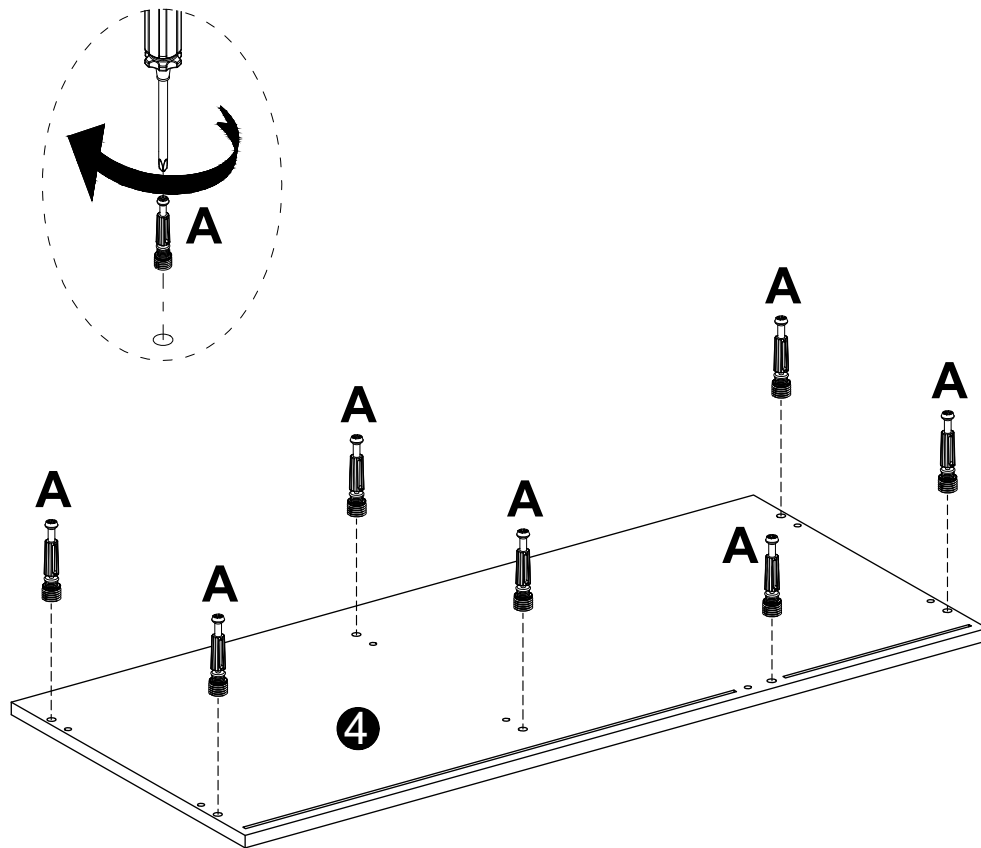
B	C
	
Ø15x12mm 1 pc	Ø8x30mm 1 pc

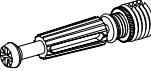


10

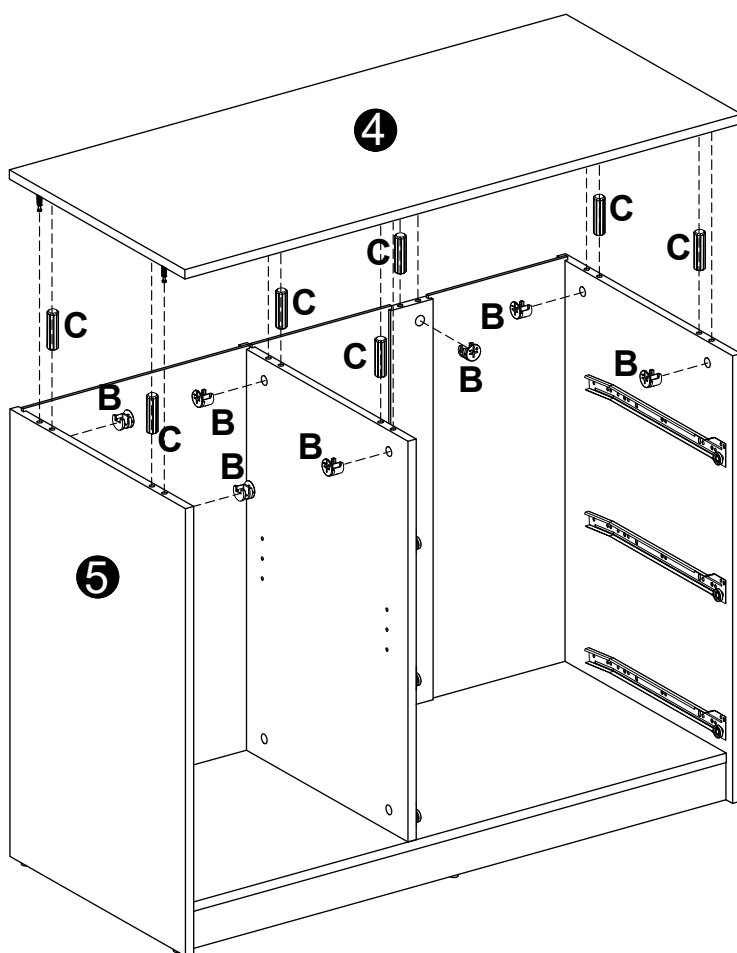


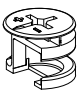

11

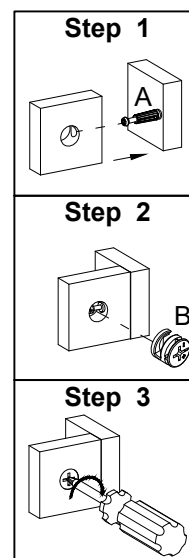
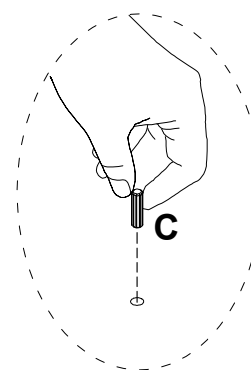


A

Ø6x40mm
7 pcs

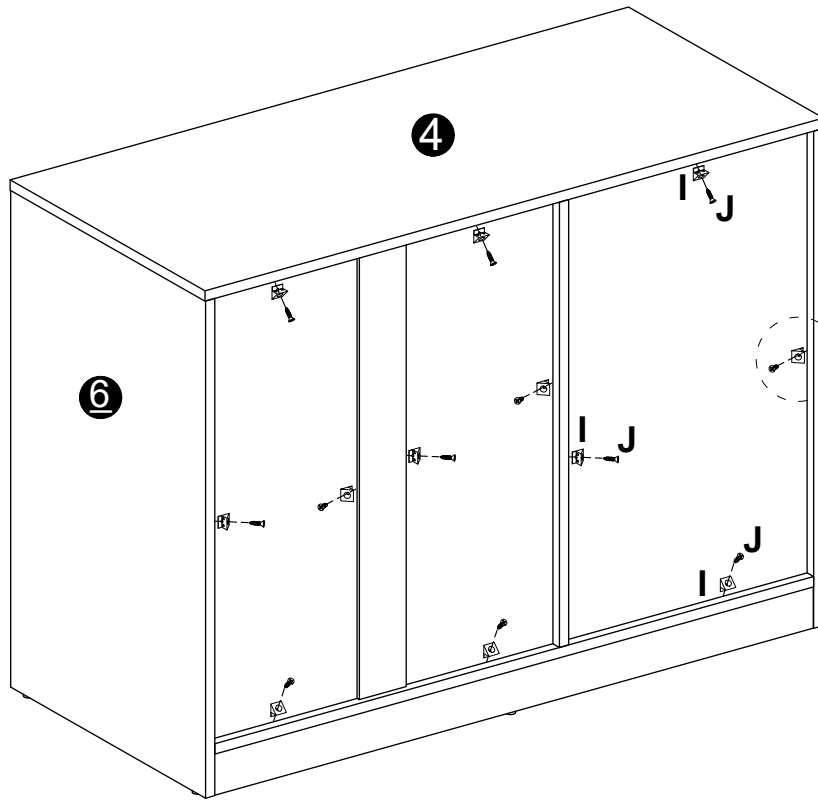
12

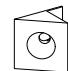
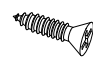


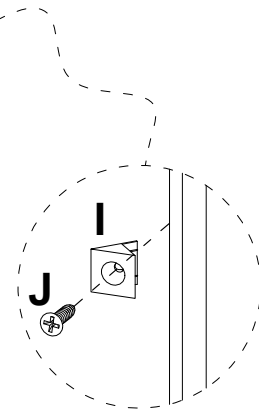
B	C
	
Ø15x12mm	Ø8x30mm
7 pcs	7 pcs



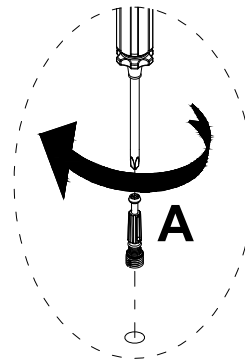
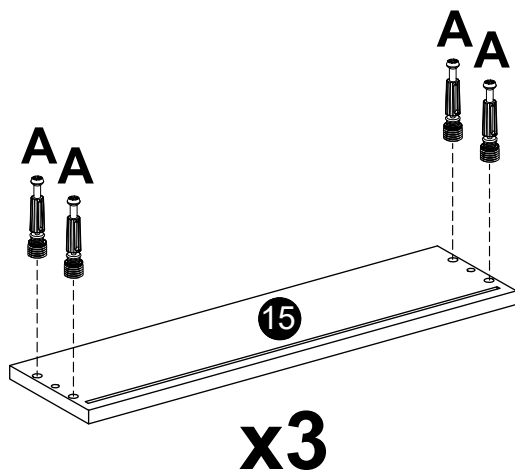
13

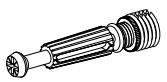


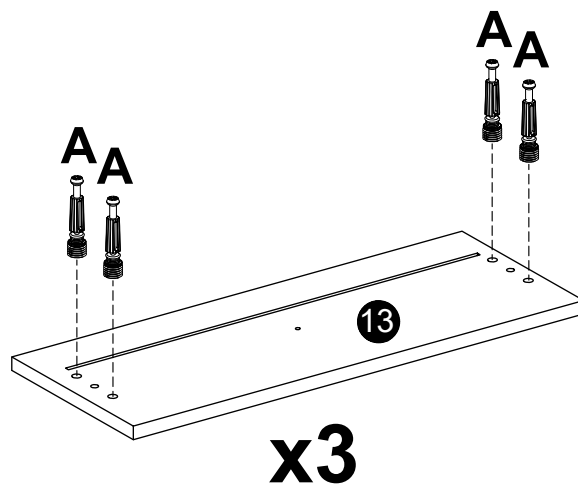
I	J
	
17x16x10mm 12 pcs	3x18mm 12 pcs



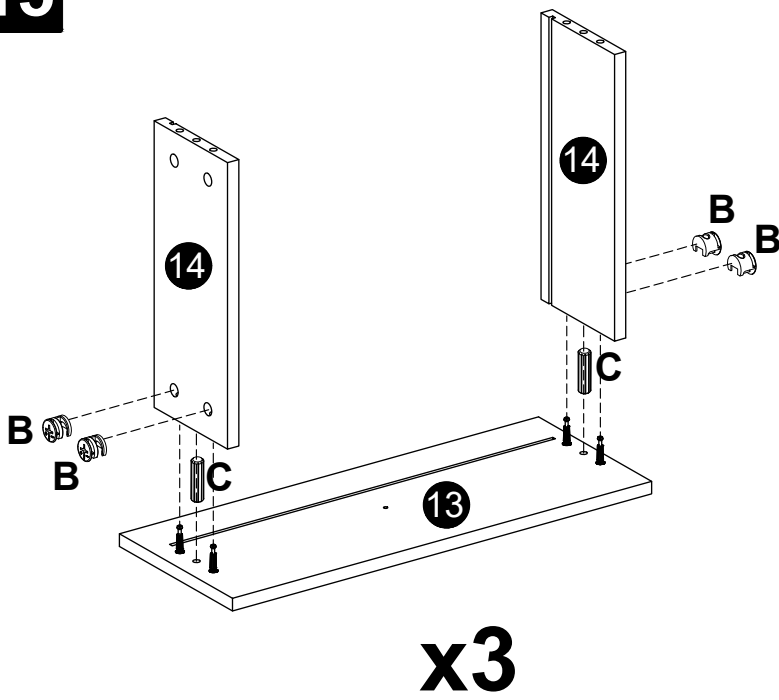
14

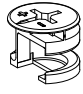
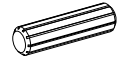


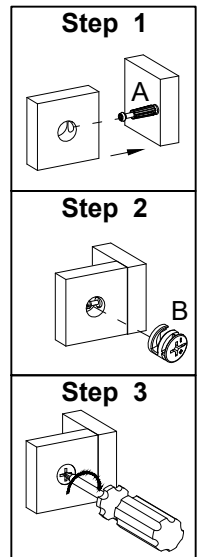
A

Ø6x40mm 24 pcs



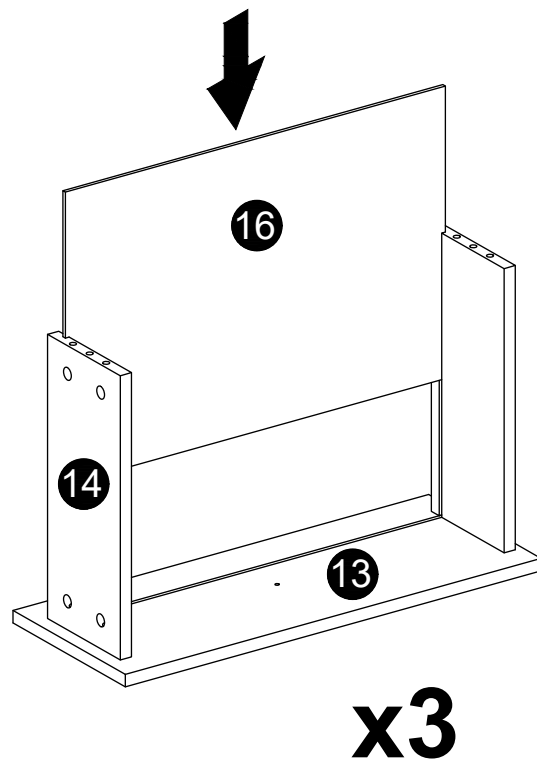
15



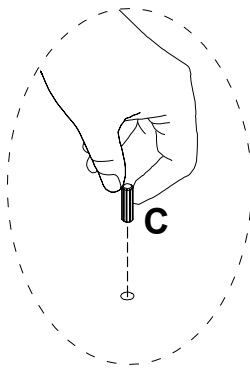
B	C
	
Ø15x12mm 12 pcs	Ø8x30mm 6 pcs

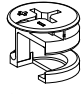
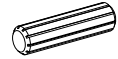


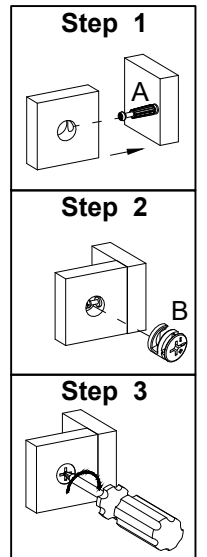
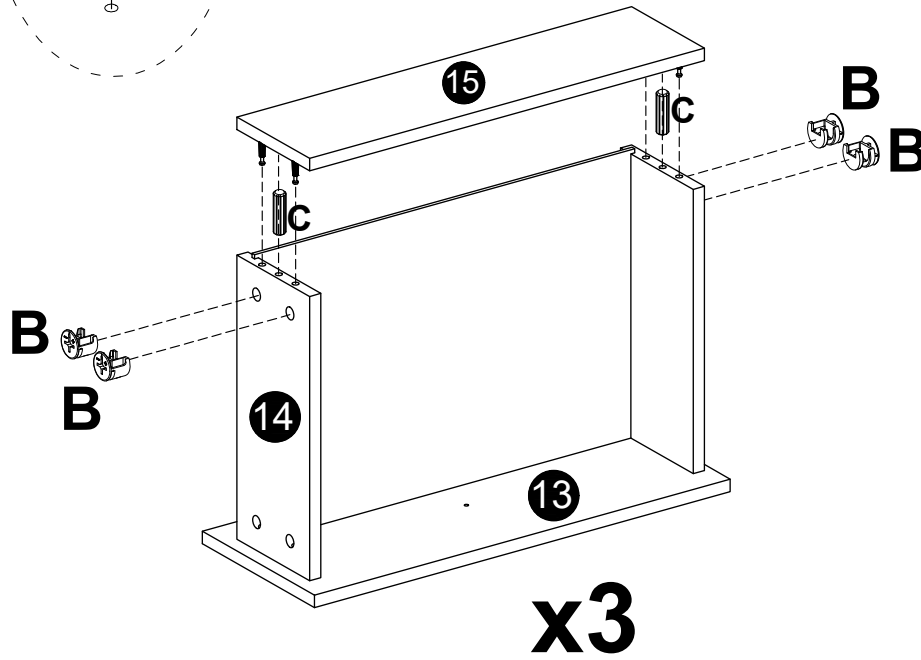
16



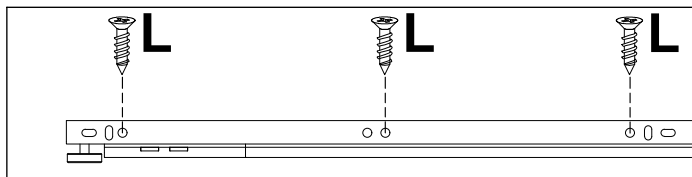
**17**

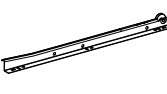
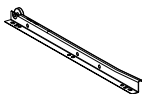


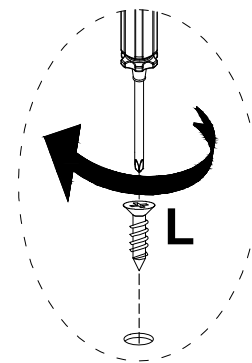
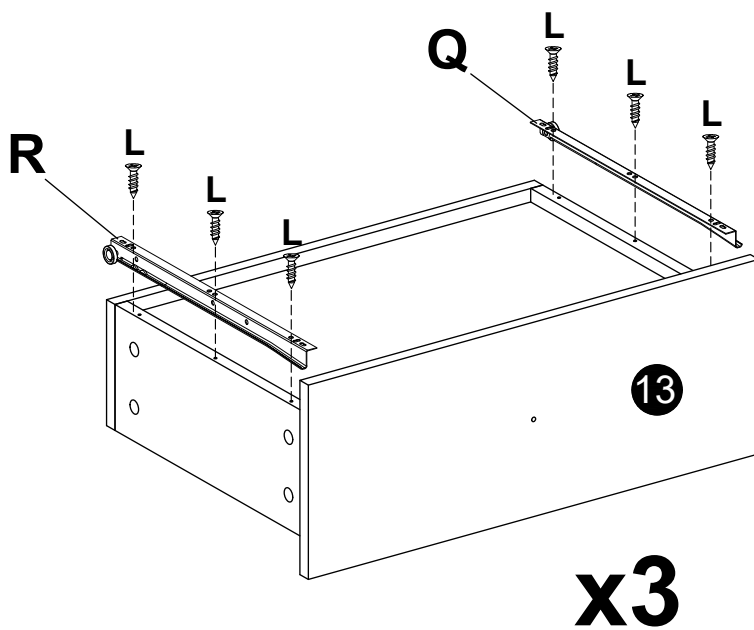
B	C
	
Ø15x12mm 12 pcs	Ø8x30mm 6 pcs




**18**

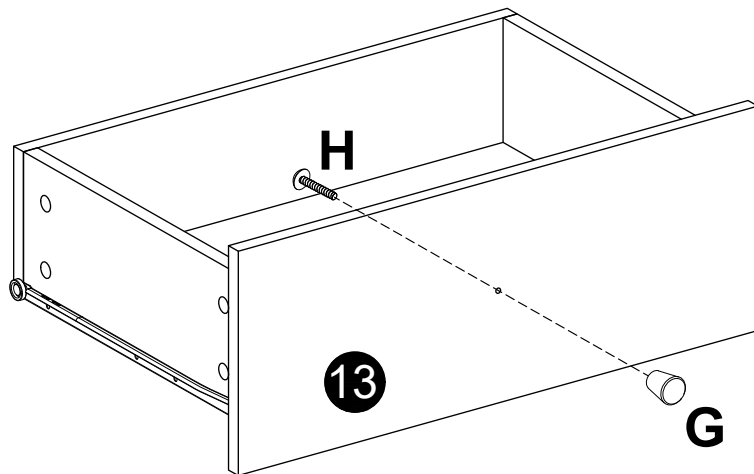


Q	R
	
350mm 3 pcs	350mm 3 pcs


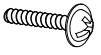


L

3.5x12mm 18 pcs

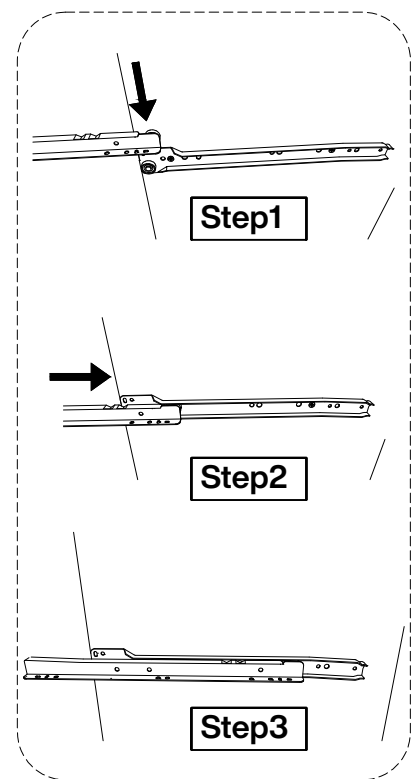
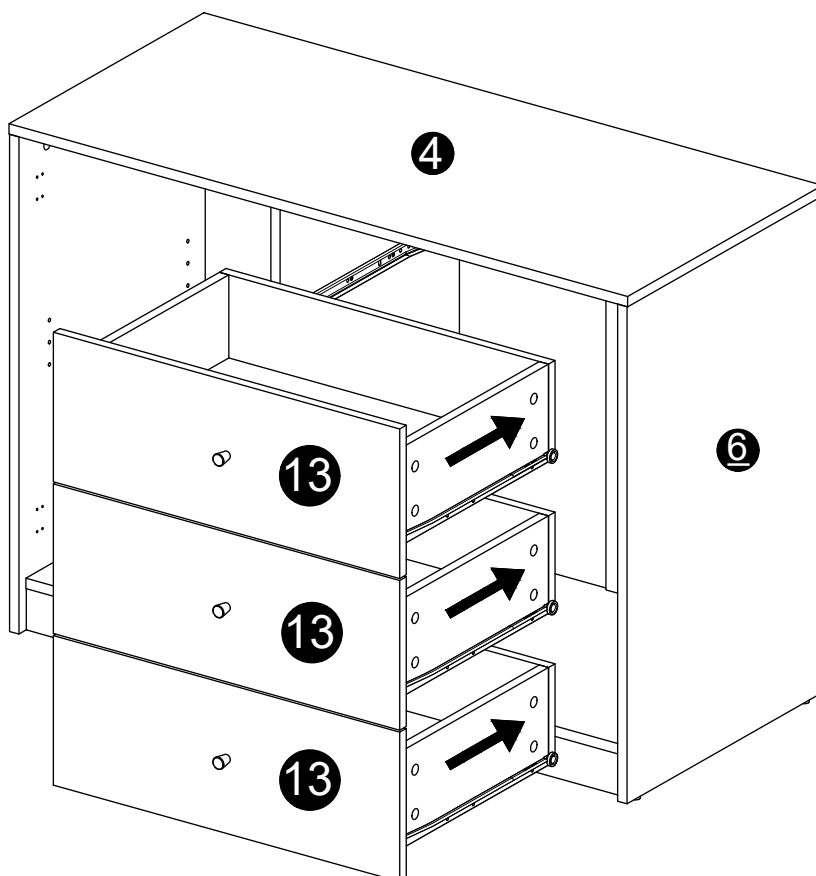
19



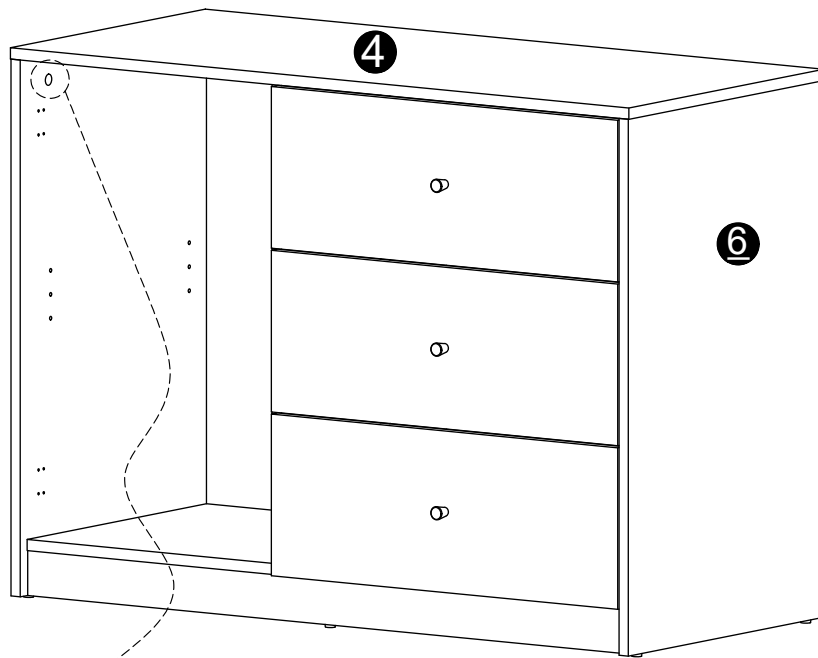
x3


G	H
 Ø19xØ12x20mm	 M4x18mm
3 pcs	3 pcs

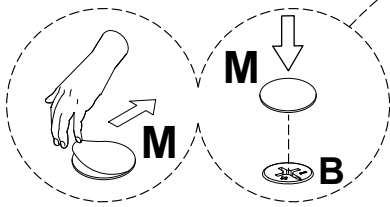
20



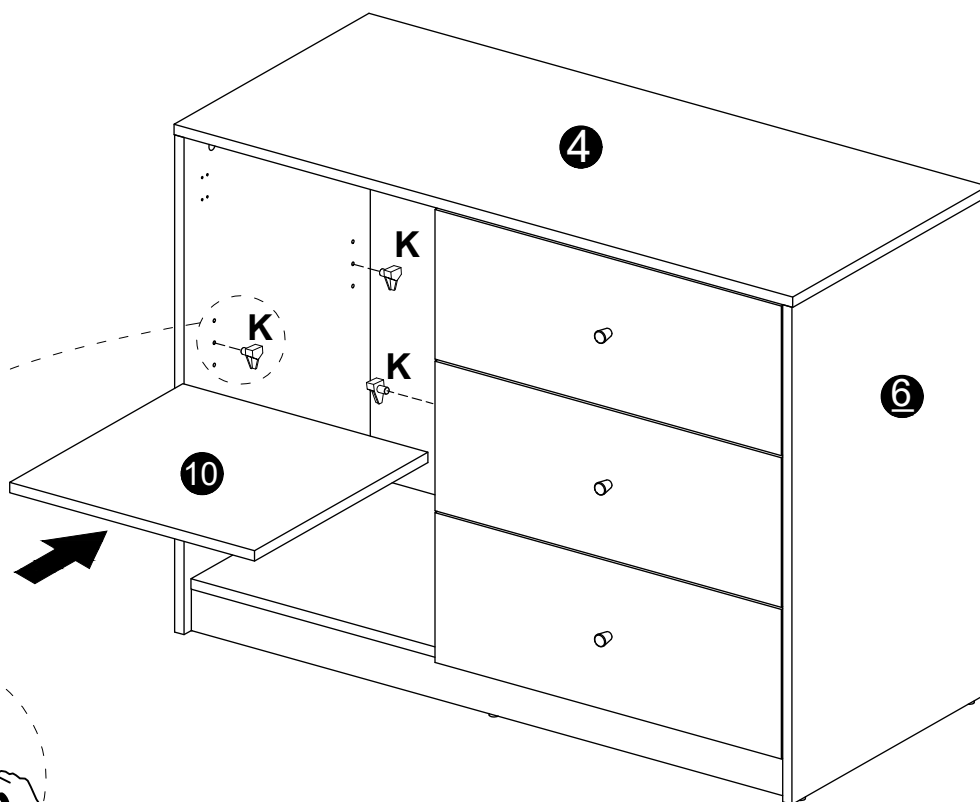
21

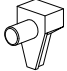


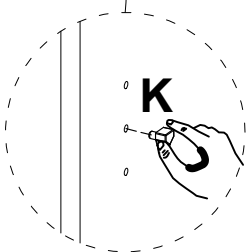
<b>M</b>

Ø20mm
4 pcs



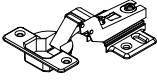

22

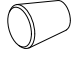
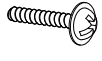


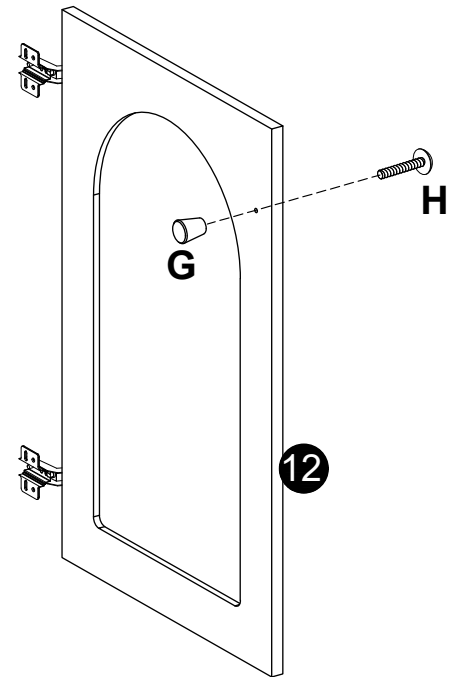
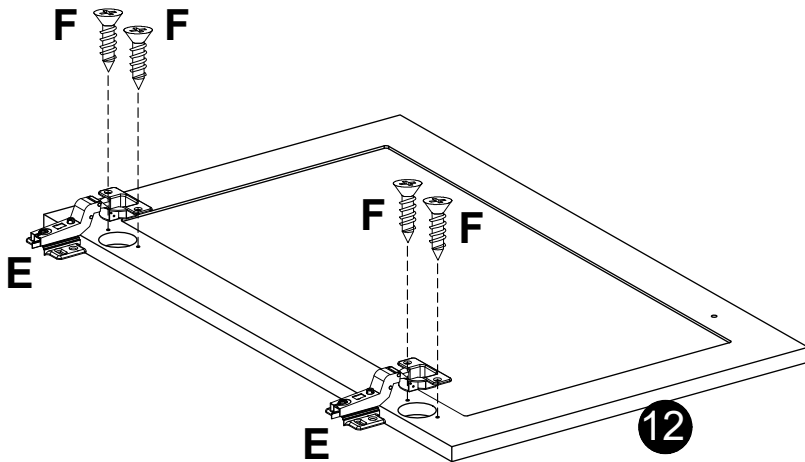
<b>K</b>

Ø5x10mm
4 pc




23

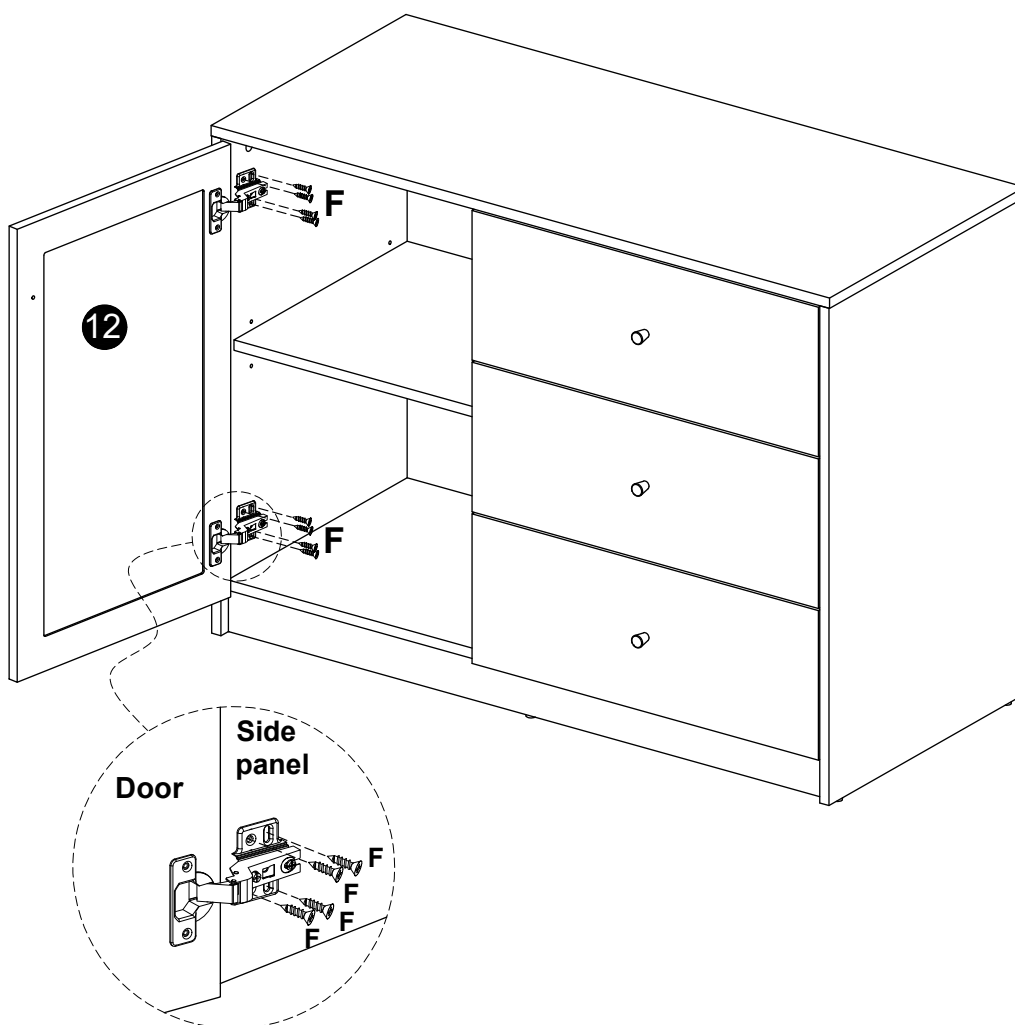
E	F
	
2 pcs	3.5x14mm 4 pcs

G	H
	
Ø19xØ12x20mm 1 pc	M4x18mm 1 pc



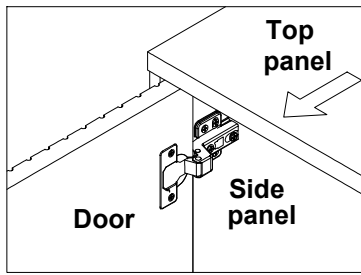
24

F

3.5x14mm 8 pcs



## Step 1

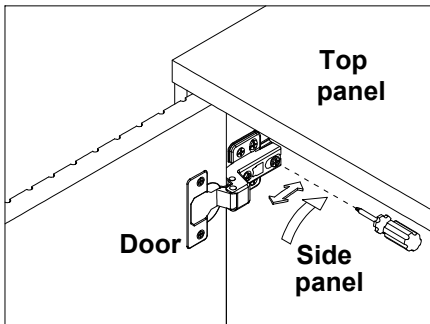
Open the door.



# ADJUST YOUR DOORS TO MAKE THE GAPS MORE EVEN (OPTIONAL).

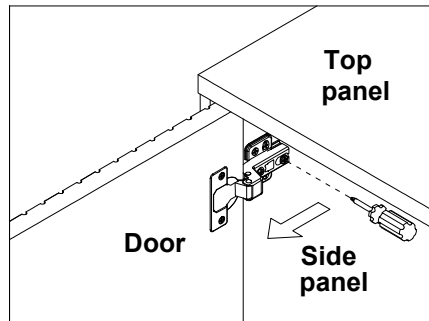
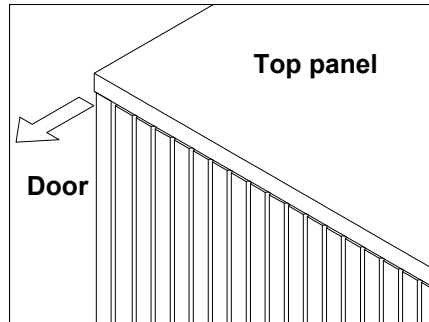
## Step 2

Adjust the door panel to be flush with side panel and top panel edge.



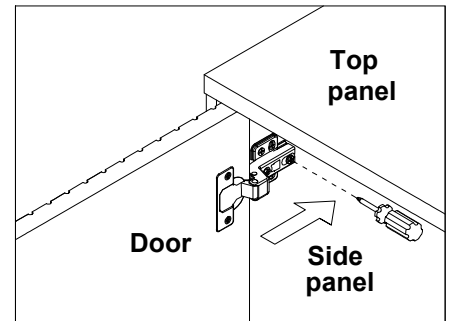
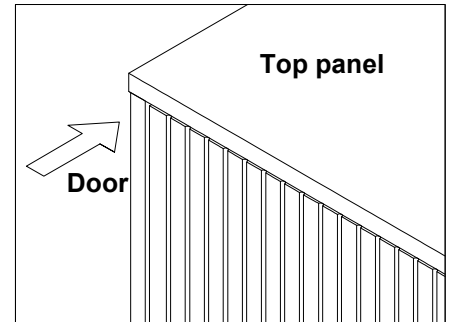
Loosen the screw indicated a little, adjust the hinge to the right position (see step 2a & 2b), then tighten the screw.

### Step 2a MOVE DOOR OUT



Pull the hinge forward a little.

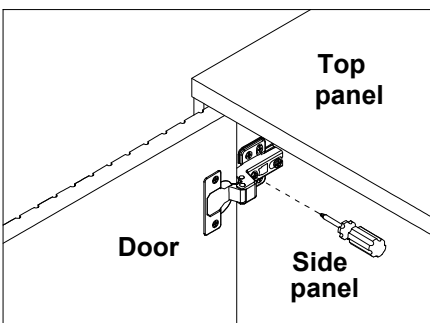
### Step 2b MOVE DOOR IN



Push the hinge back a little.

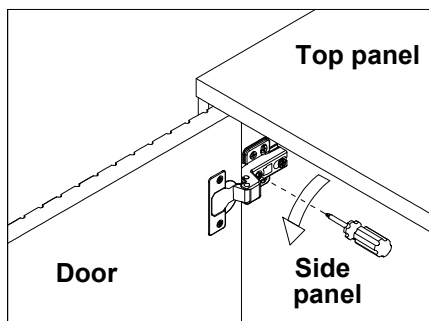
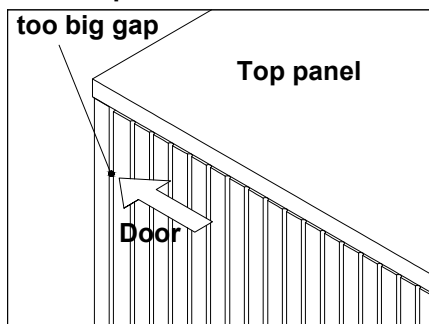
## Step 3

Adjust the gap between the door panel and the side panel.



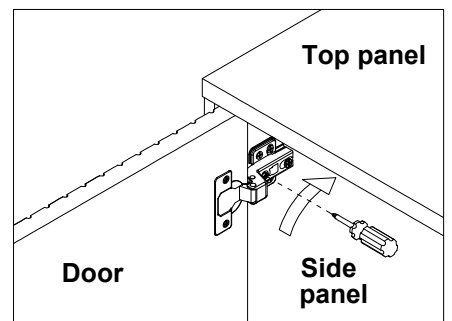
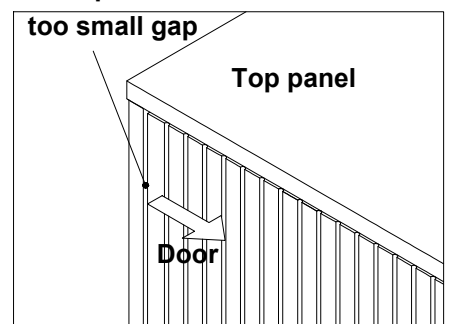
Loosen or tighten the screw indicated a little to adjust the gap between the door panels, adjust the hinge to the right position (see step 3a & 3b).

### Step 3a MOVE DOOR LEFT



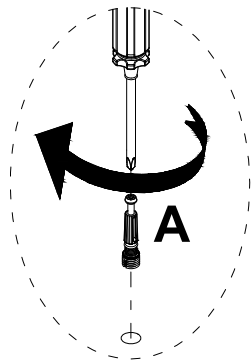
Turn the screw clockwise a little as shown to make the gap smaller

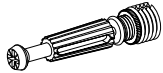
### Step 3b MOVE DOOR RIGHT

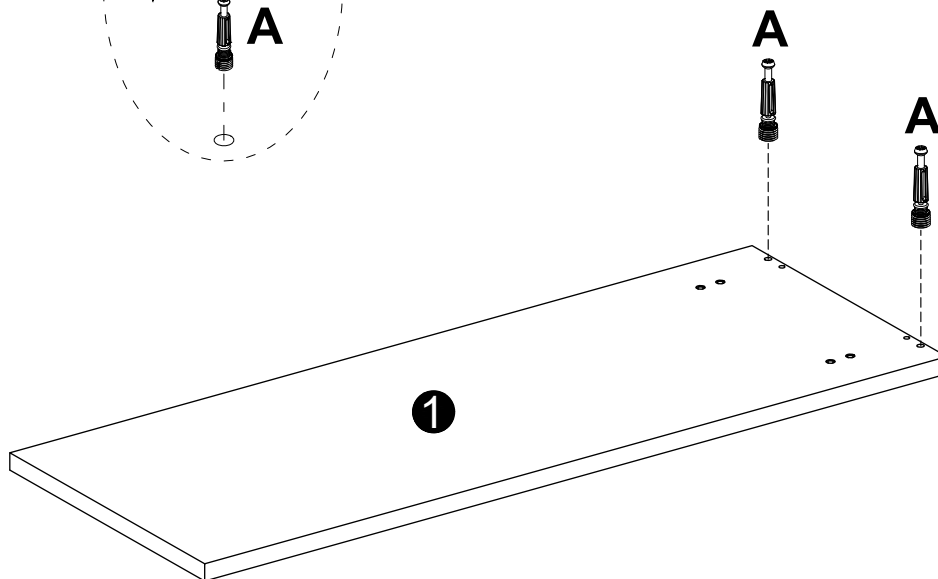


Turn the screw counterclockwise a little as shown to make the gap bigger

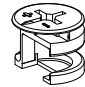

25

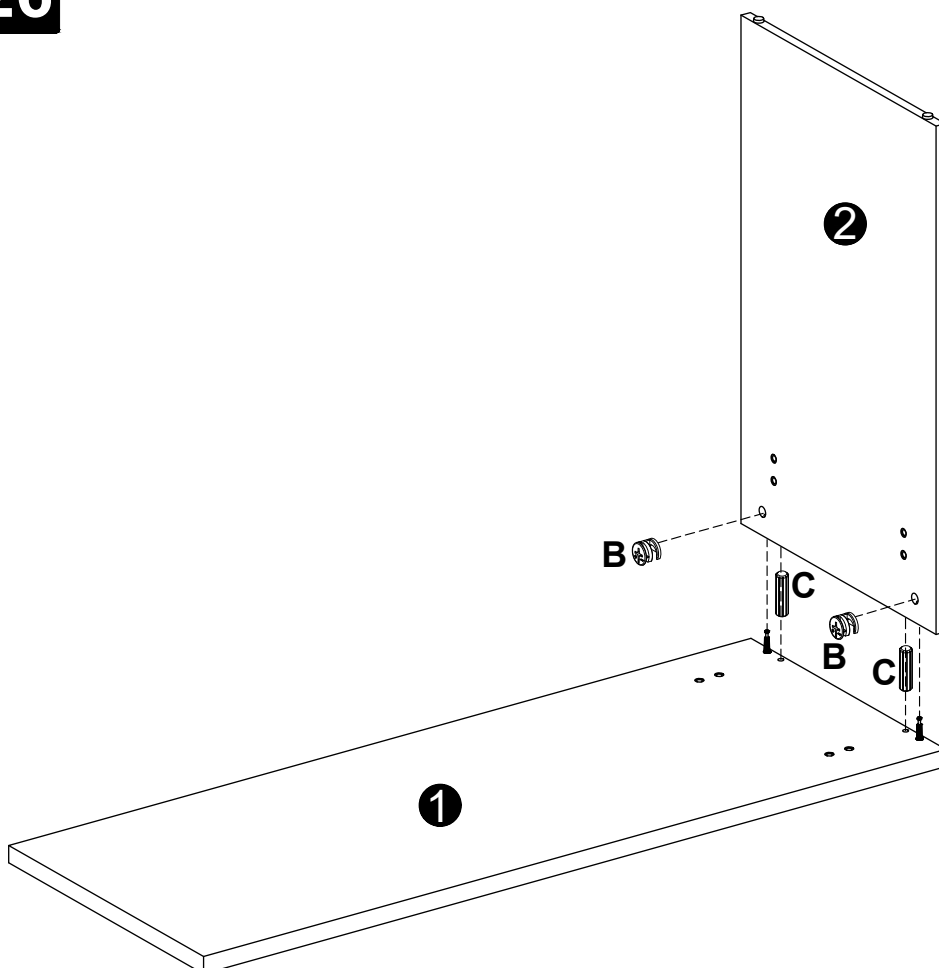




A

Ø6x40mm
2 pcs

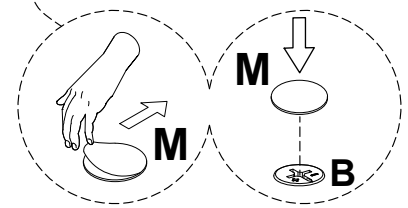
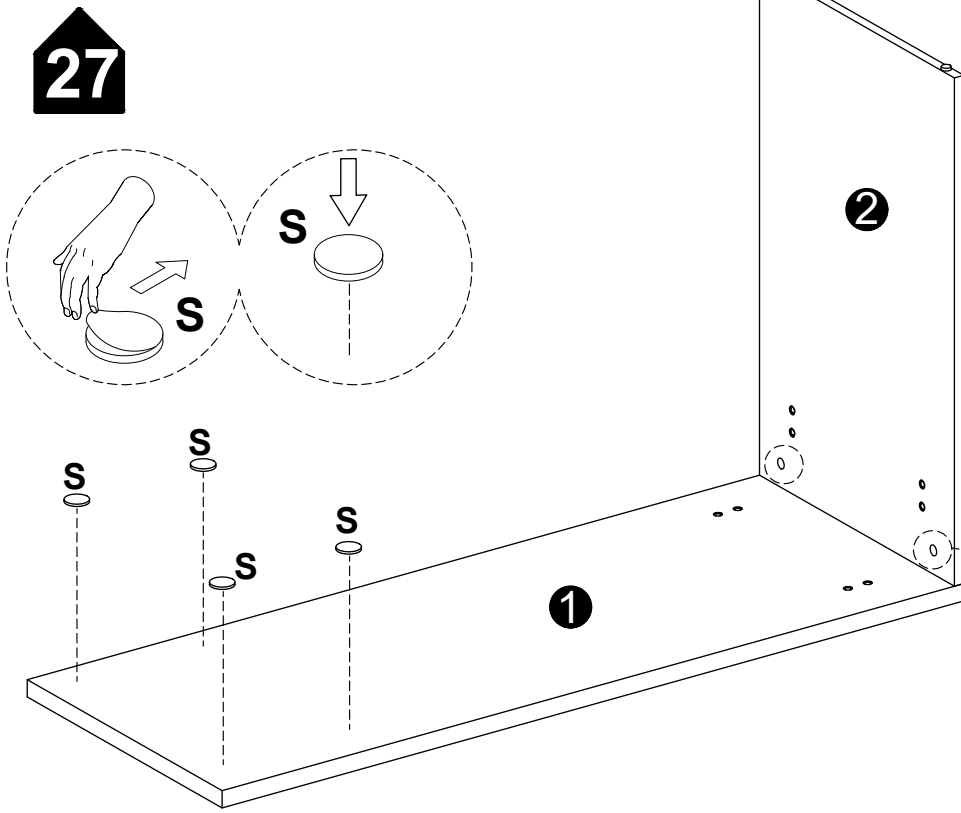


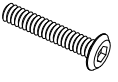
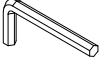
26

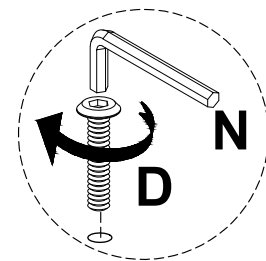
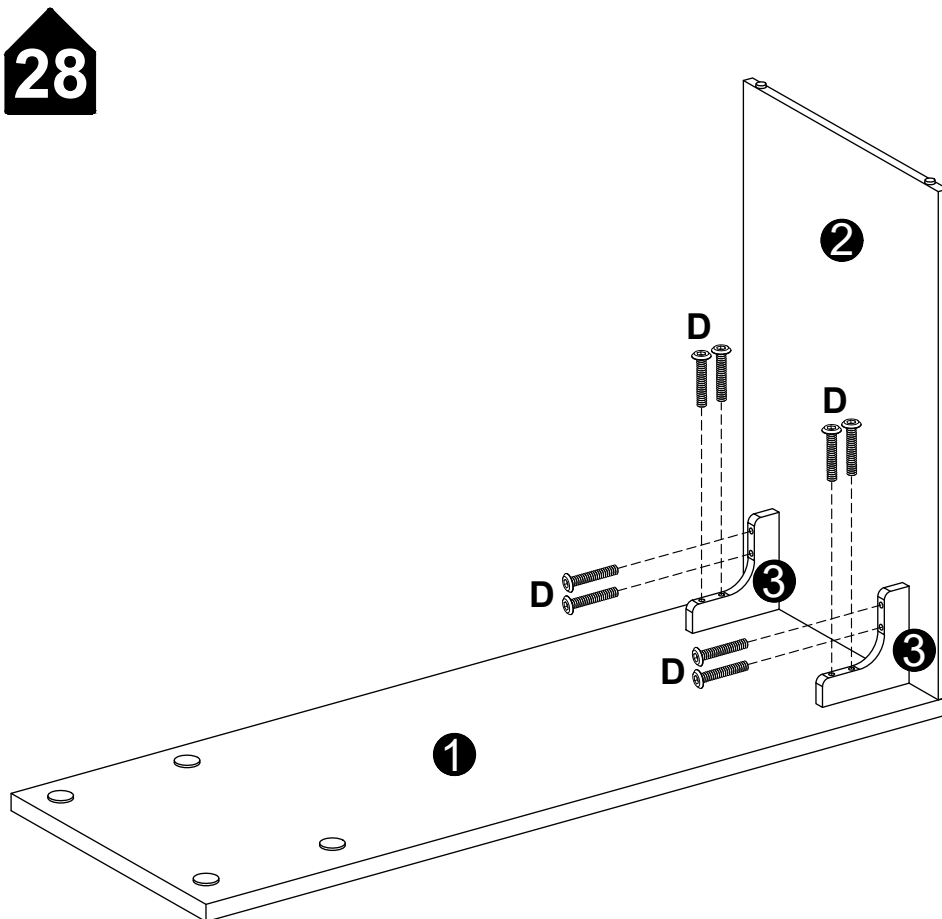
B	C
	
Ø15x12mm	Ø8x30mm
2 pcs	2 pcs



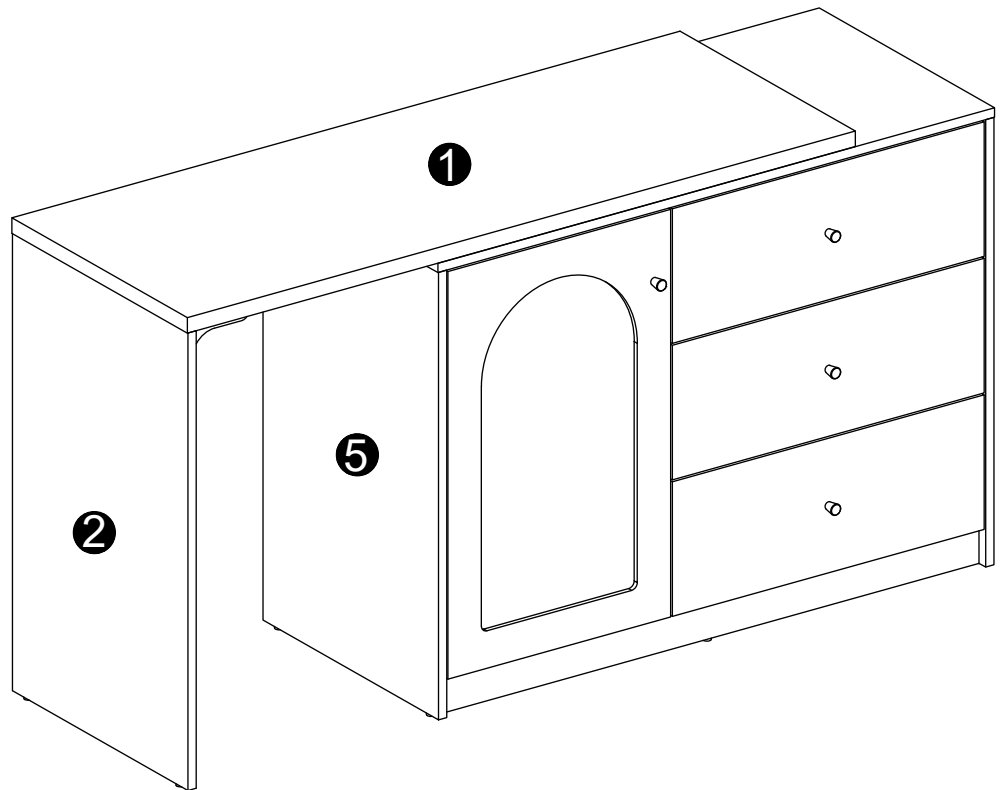
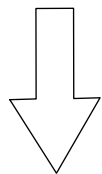
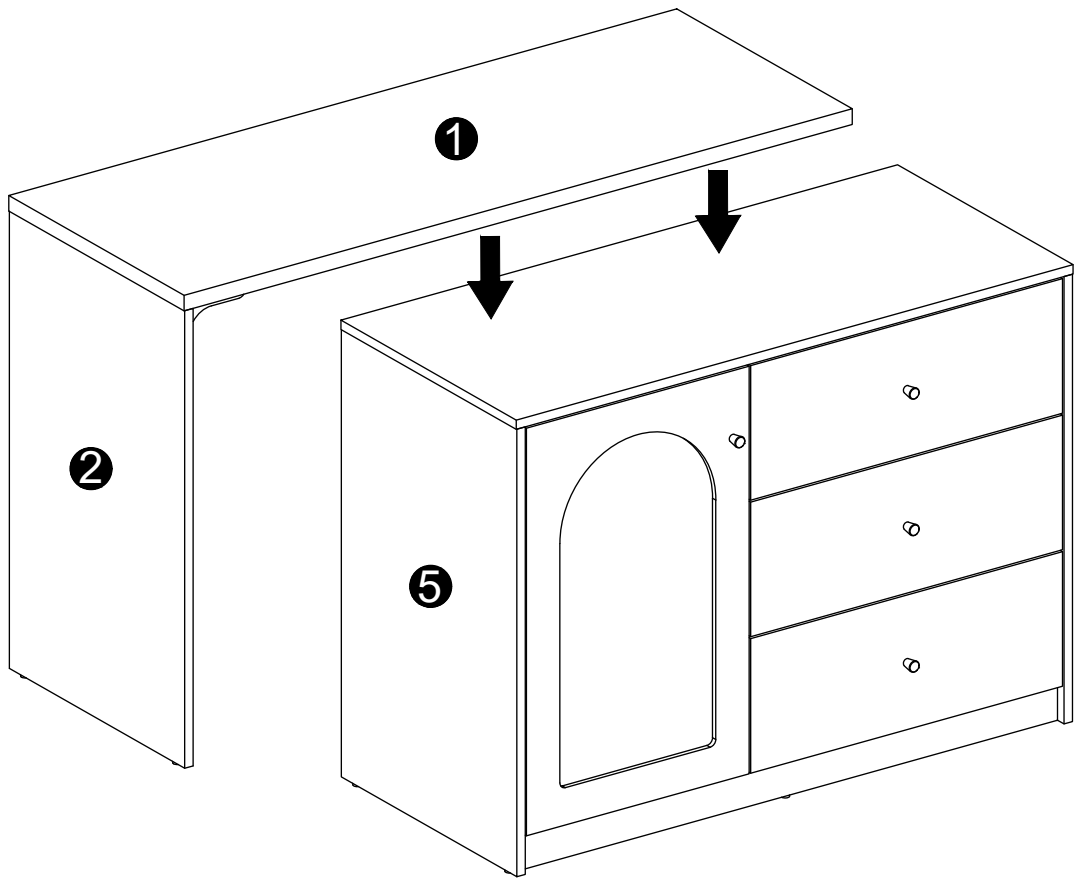
M	S
	
Ø20mm	Ø20x2.2mm
2 pcs	4 pcs



D	N
	
M6x50mm	M4x65mm
8 pcs	1 pc

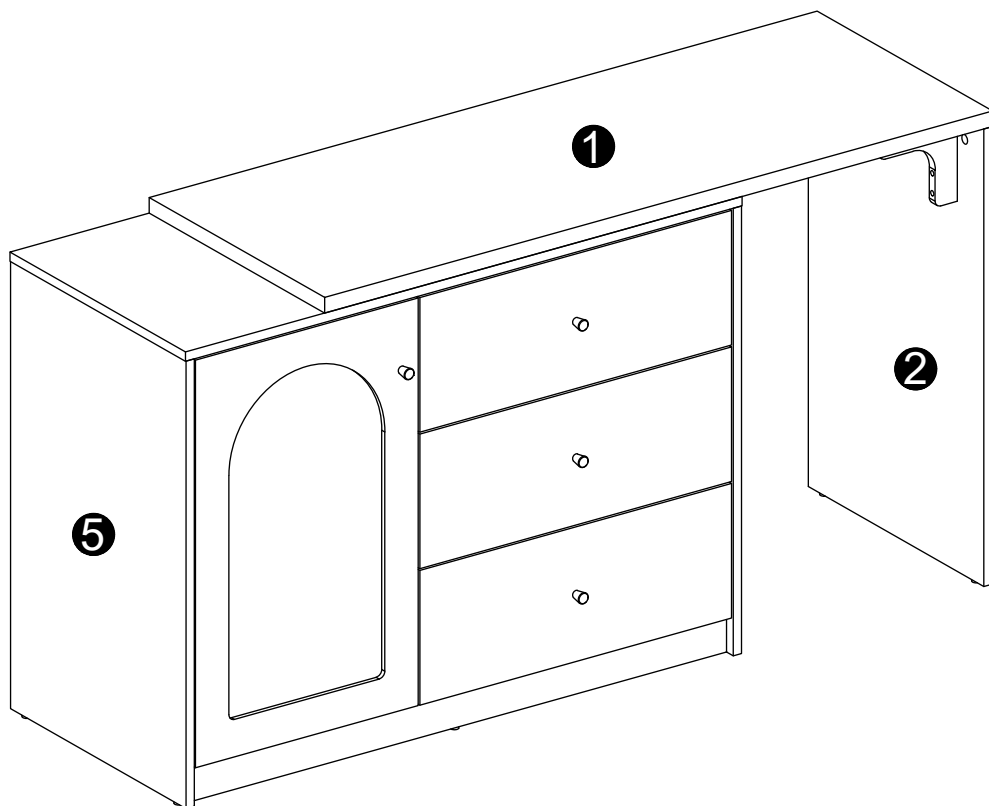
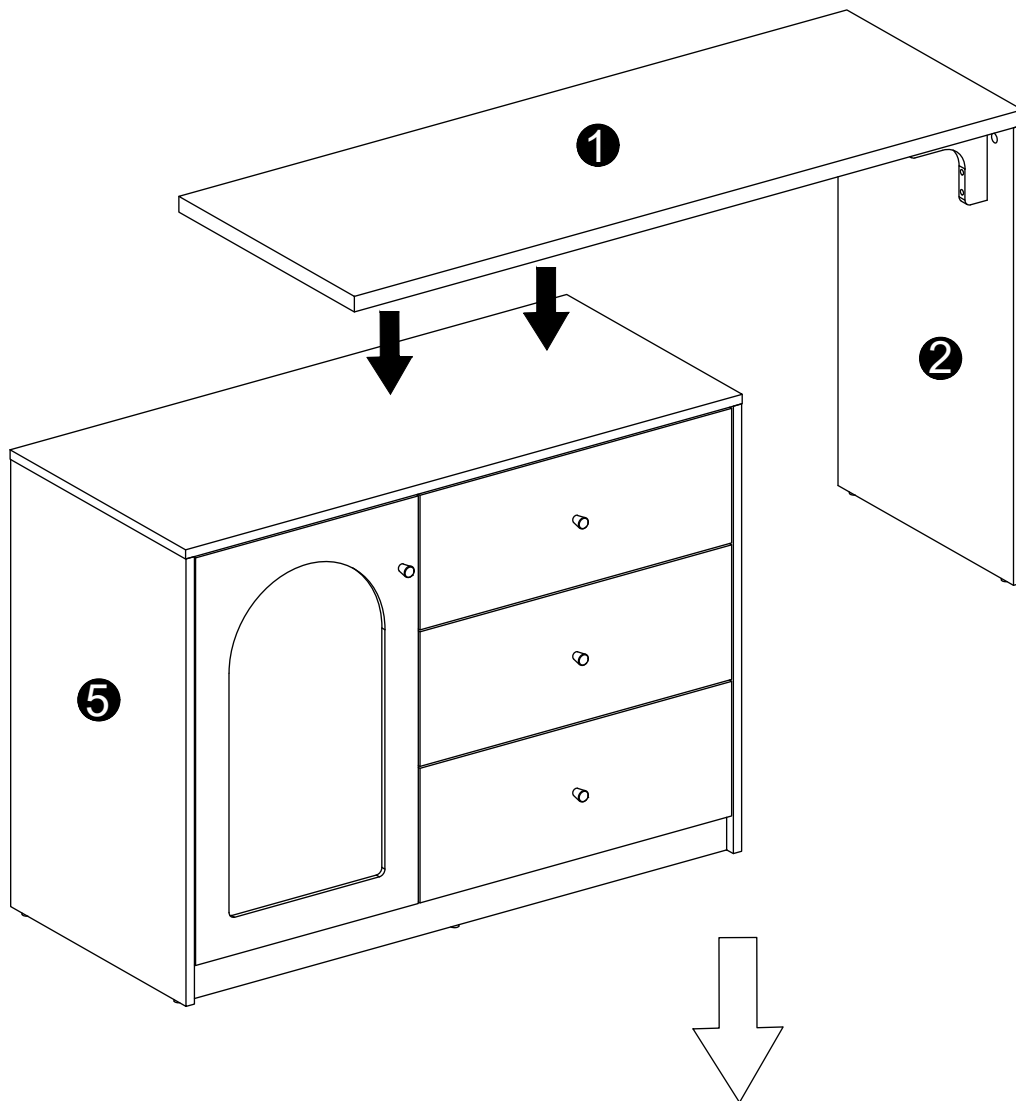


29



30

OR



**Thank you for your support!**

