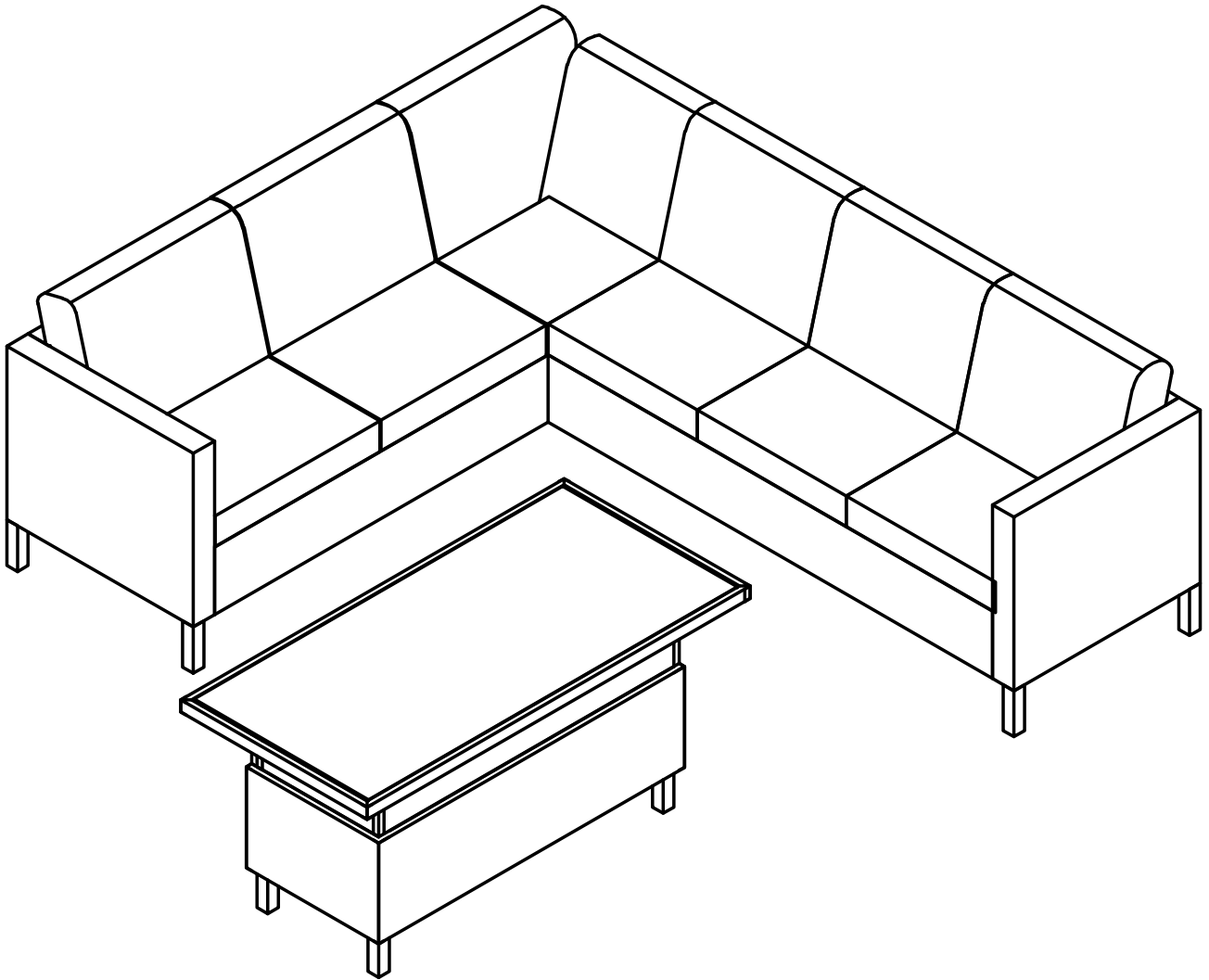


# Instruction Manual

Corner Sofa And Rising Table, Light Grey



# CONTENTS

---

Safety and care advice	1
Components	2
Assembly instructions	4
Copyright	13



# ⚠ SAFETY AND CARE ADVICE ⚠

---

## PLEASE READ THESE INSTRUCTIONS CAREFULLY AND KEEP FOR FUTURE REFERENCE

- **Warning:** Please lift with care.
- Check you have all the components and tools listed on pages 2 and 3.
- Remove all fittings from the plastic bags and separate them into their groups.
- Keep children and animals away from the work area, small parts could choke if swallowed.
- Make sure you have enough space to lay out the parts before starting.
- Do not stand or put weight on the product, this could cause damage.
- Assemble the item as close to its final position (in the same room) as possible.
- Assemble on a soft level surface to avoid damaging the unit or your floor (use opened out unit carton).



- We do not recommend the use of power drill/drivers for inserting screws, as this could damage the unit. Only use hand screwdrivers.
- Dispose of all packaging carefully and responsibly.


## CARE AND MAINTENANCE

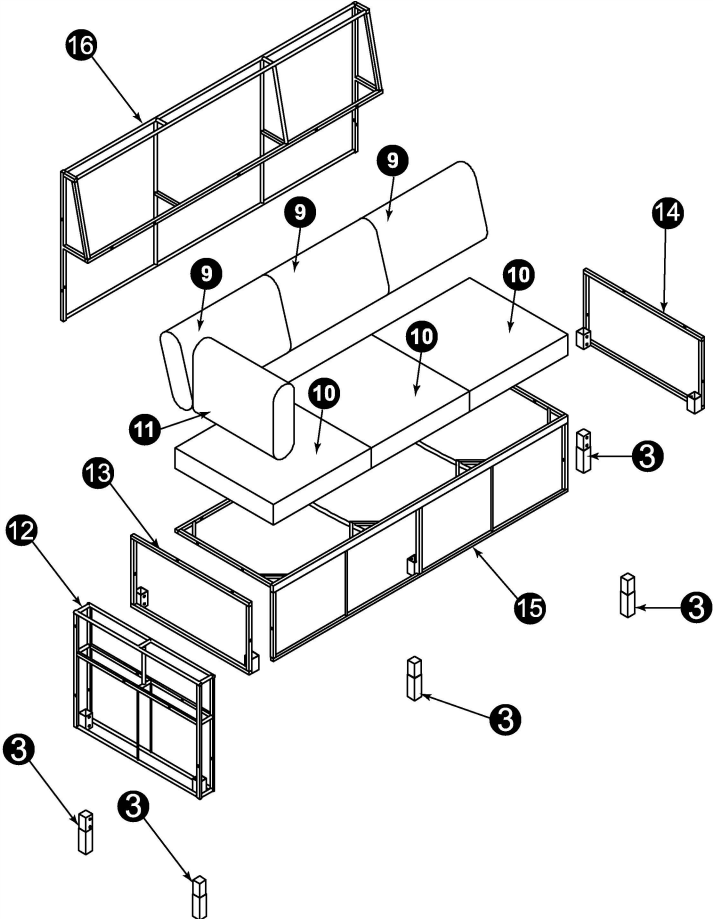
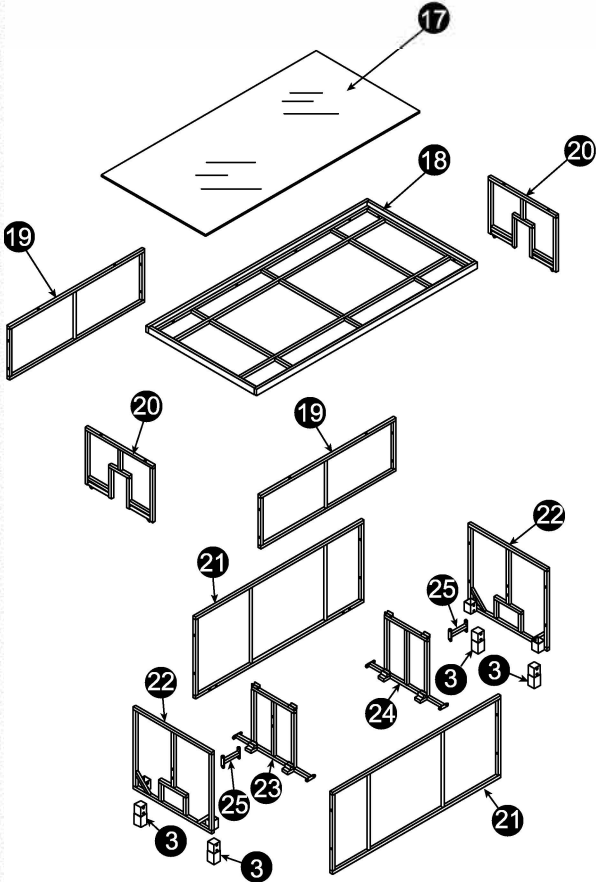
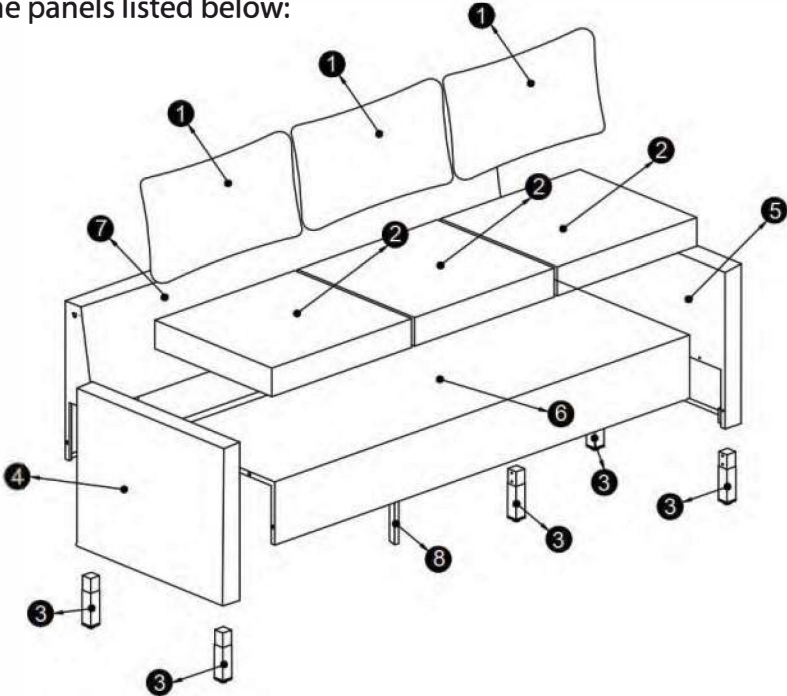
---

- Only clean using a damp cloth and mild detergent, do not use bleach or abrasive cleaners.
  - From time to time check that there are no loose screws on this unit.
  - This product should not be discarded with household waste. Take to your local authority waste disposal center.
- Note: If required the next page can be cut out and used as reference throughout the assembly. Keep this page with these instructions for future reference.
-

# COMPONENTS

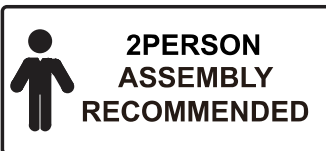
Please check you have all the panels listed below:

 **2PERSON  
ASSEMBLY  
RECOMMENDED**



# COMPONENTS

Please check you have all the panels listed below:



1	Back Cushion	x3
2	Seat Cushion	x3
3	Leg	x14
4	Right Arm	x1
5	Left Arm	x1
6	Seat	x1
7	Backrest	x1
8	Middle Leg	x1
9	Back Cushion	x3
10	Seat Cushion	x3
11	Arm Cushion	x1
12	Arm	x1
13	Left seat frame	x1
14	Right seat frame	x1
15	Seat	x1
16	Backrest	x1
17	Glass	x1
18	Table Top	x1
19	Middle long hips	x2
20	Short hips in the middle	x2
21	Long hips lower frame	x2
22	Short hips and lower frame	x2
23	Internal support frame left	x1
24	Internal support frame right	x1
25	Link	x2



# COMPONENTS

---

Please check you have all the fittings listed below:



Bolt M6 x 15 (24 pcs) (+2)



Bolt M6 x 20 (24 pcs) (+2)



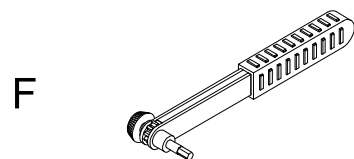
Bolt M6 x 35 (24 pcs) (+2)



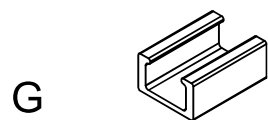
Bolt M6 x 40 (39 pcs) (+2)



Flat Washer (111 pcs) (+3)



Ratchet Wrench (1pc)

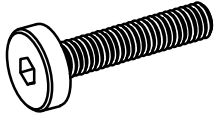

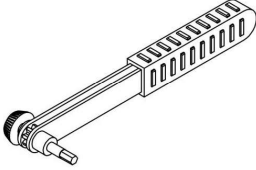


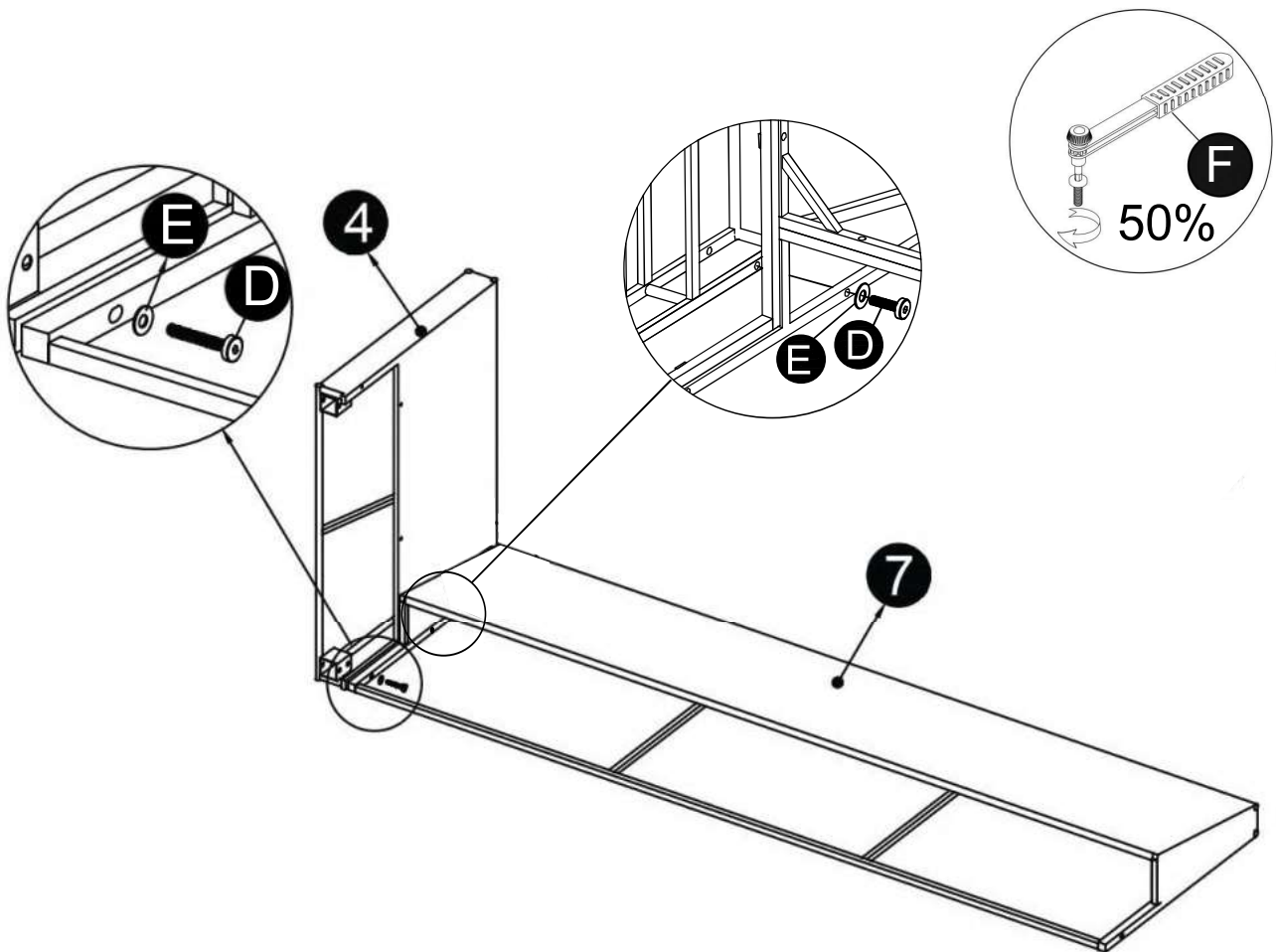
Connector (2pcs)



# ASSEMBLY INSTRUCTIONS

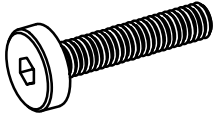

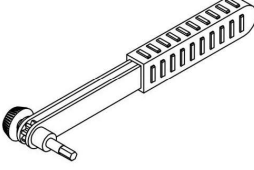
Step 1:

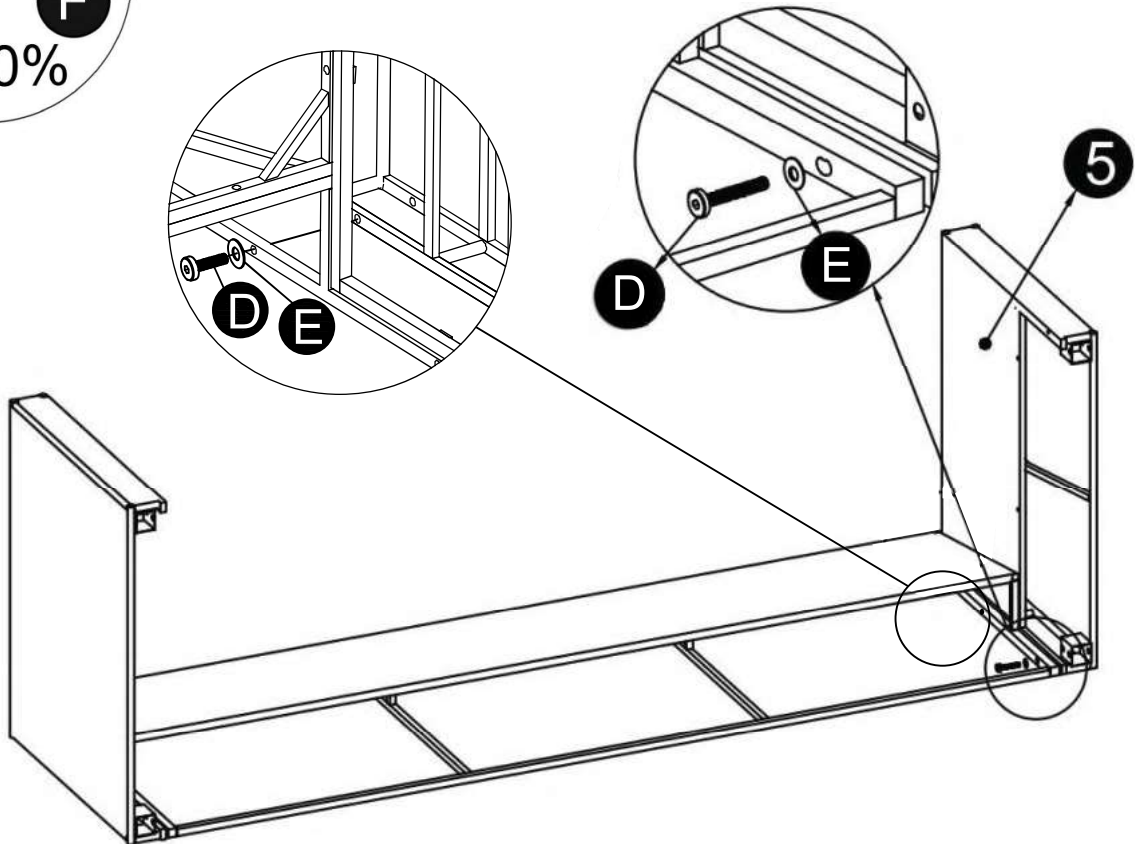
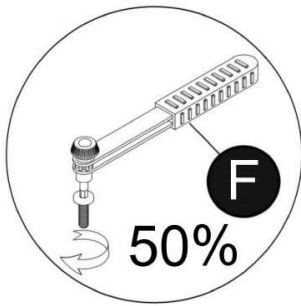
D		2	
E		2	
F		1	



# ASSEMBLY INSTRUCTIONS

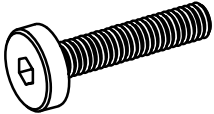

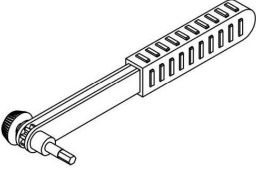
Step 2:

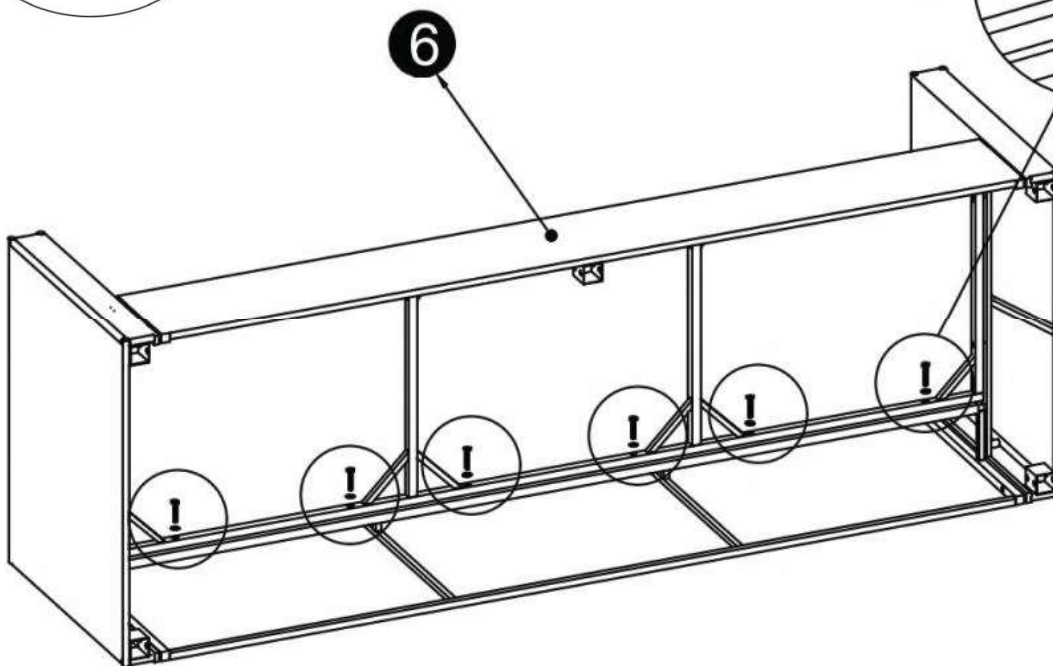
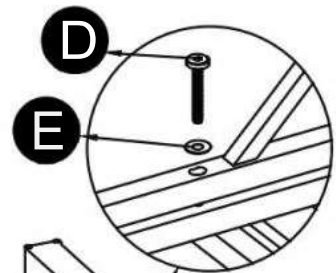
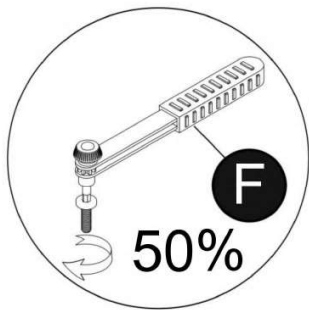
D		2
E		2
F		1



# ASSEMBLY INSTRUCTIONS

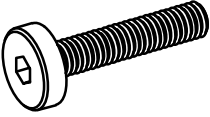

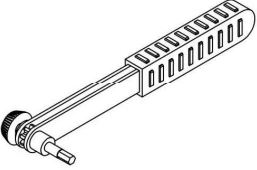
Step 3:

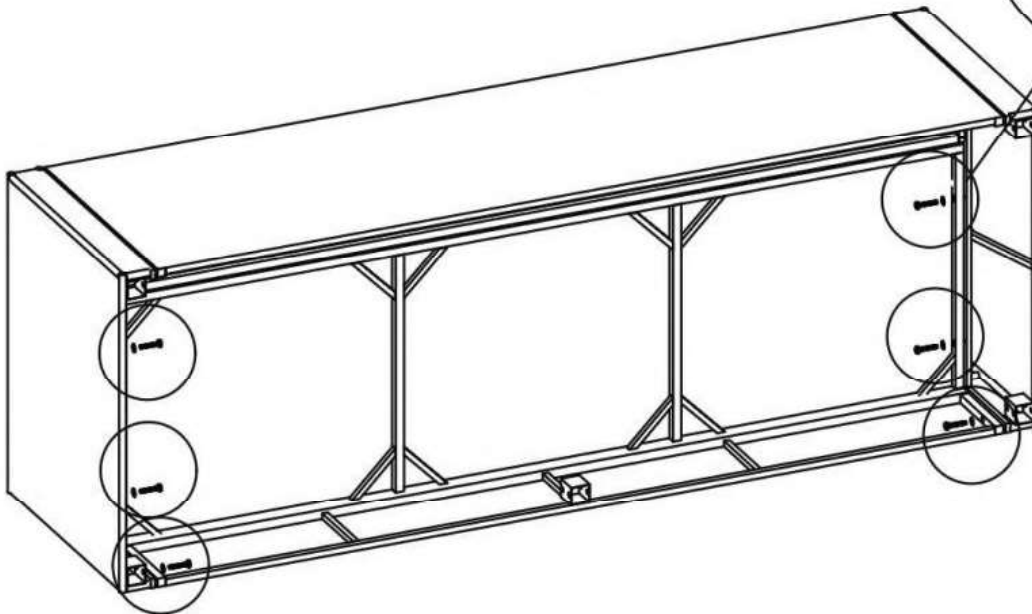
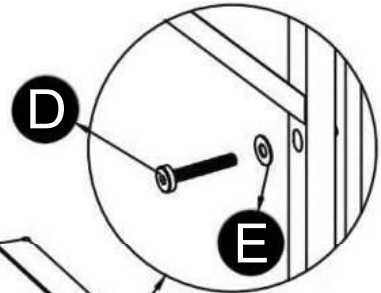
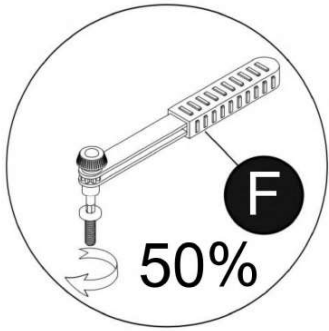
D		6
E		6
F		1



# ASSEMBLY INSTRUCTIONS

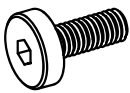

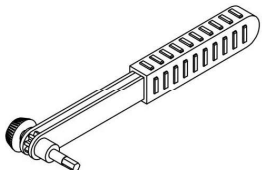
Step 4:

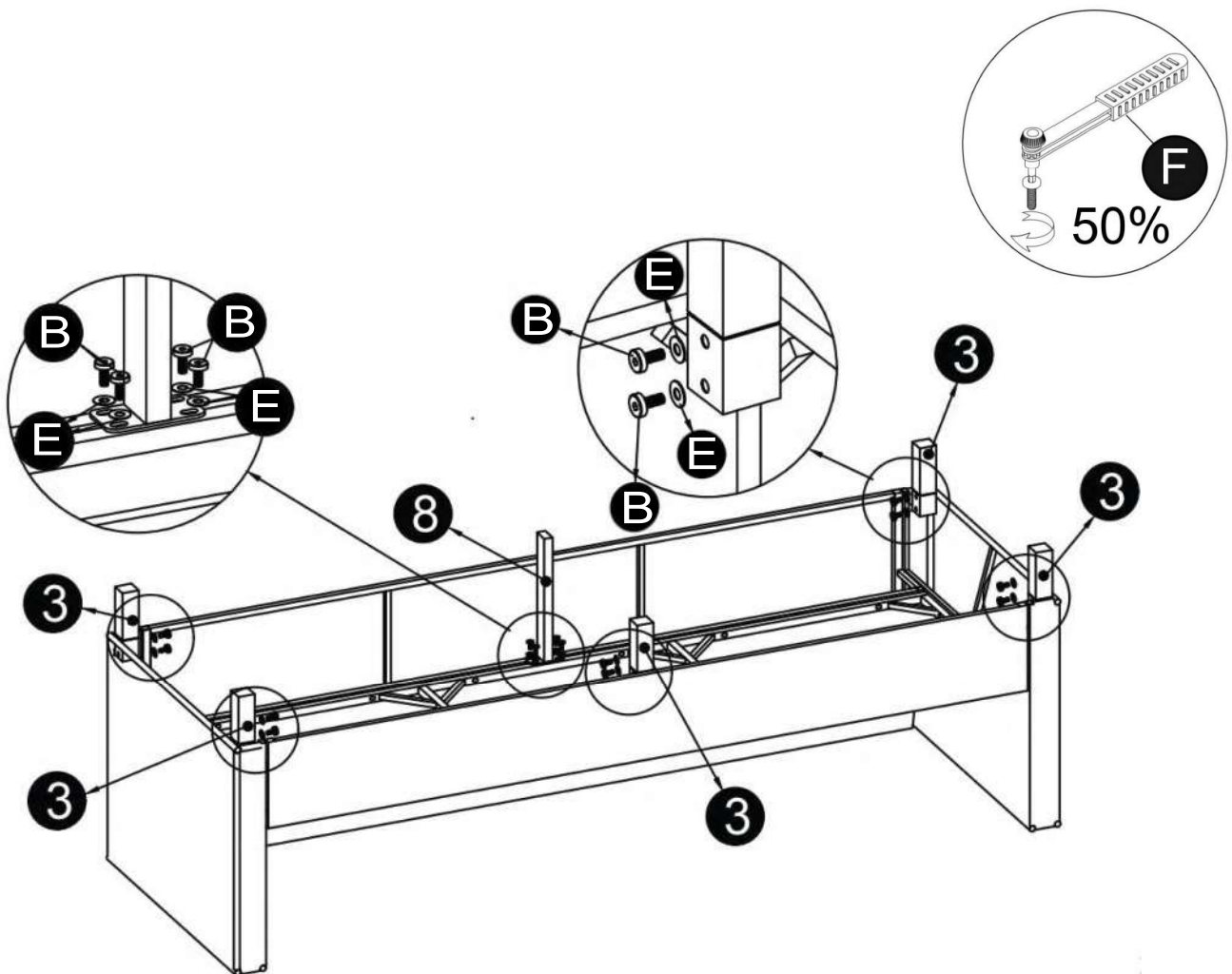
D		6	
E		6	
F		1	



# ASSEMBLY INSTRUCTIONS

Step 5:

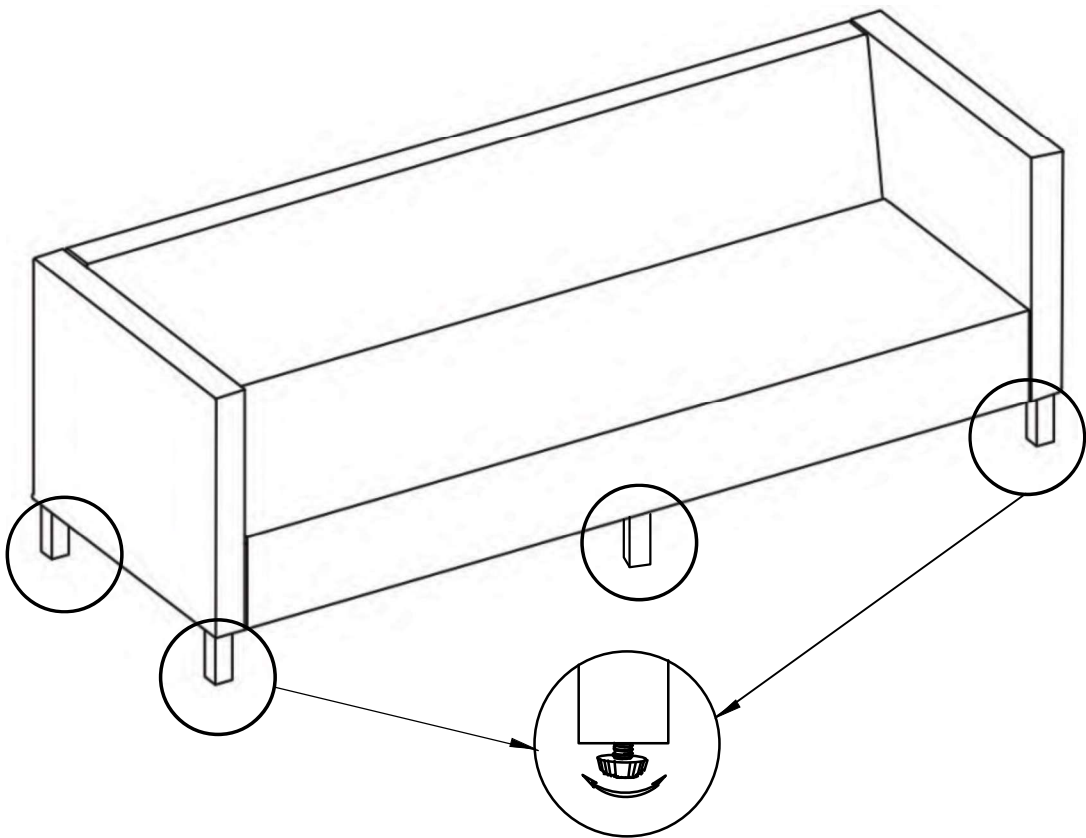
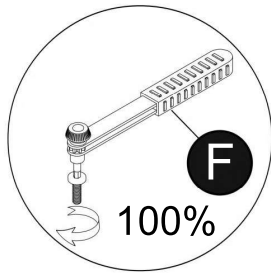
B		14	
E		14	
F		1	



# ASSEMBLY INSTRUCTIONS

---

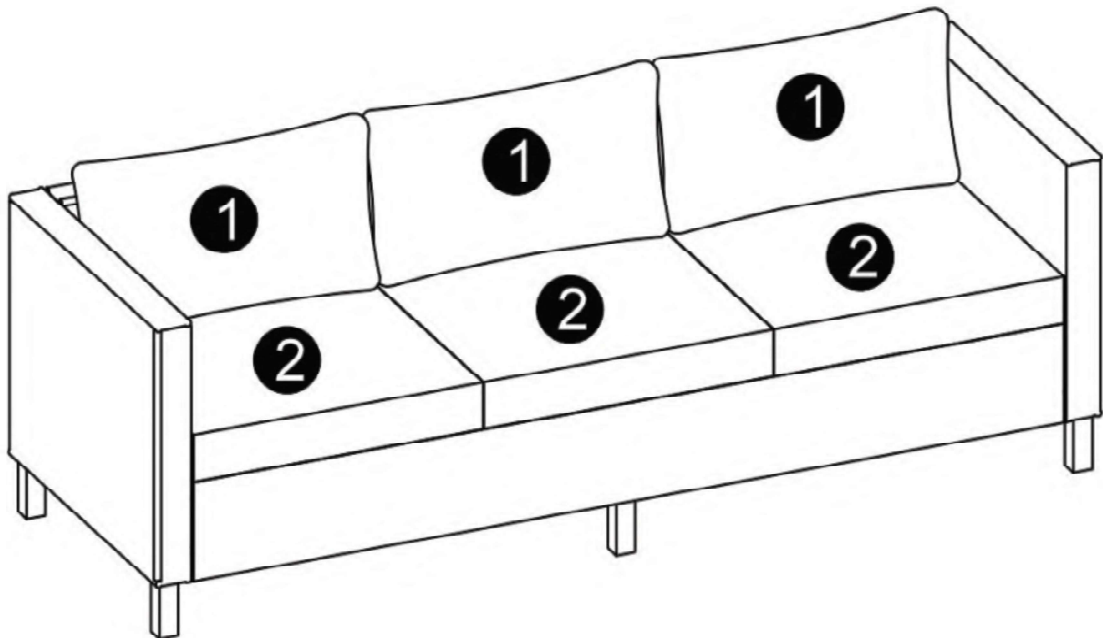
## Step 6:



# ASSEMBLY INSTRUCTIONS

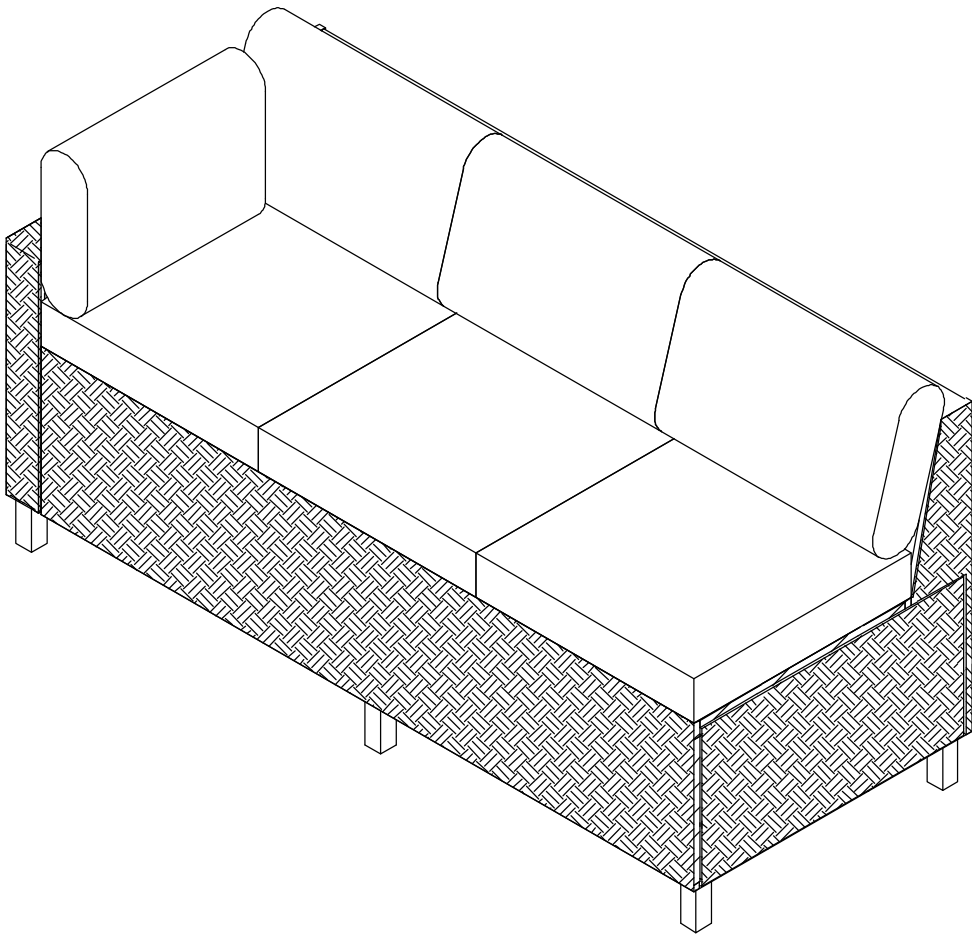
---

**Step 7:**



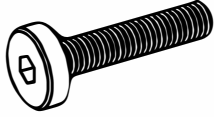

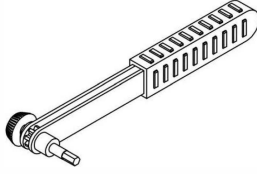
Congratulations! Now you have finished assembling the product.

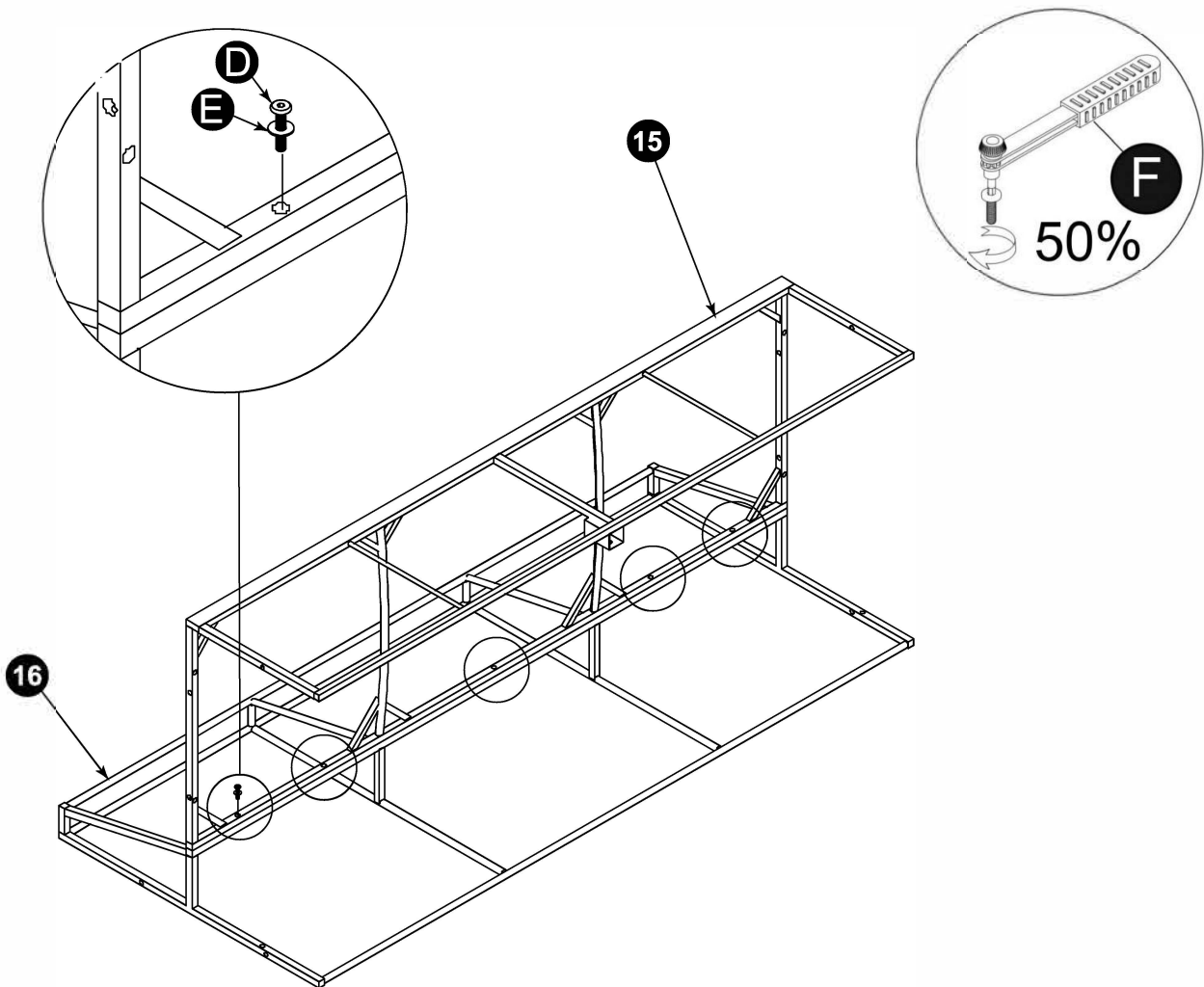
# CORNER SECTION



# ASSEMBLY INSTRUCTIONS

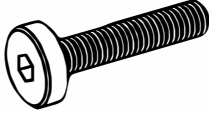

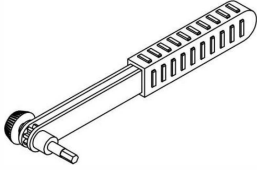
Step 1:

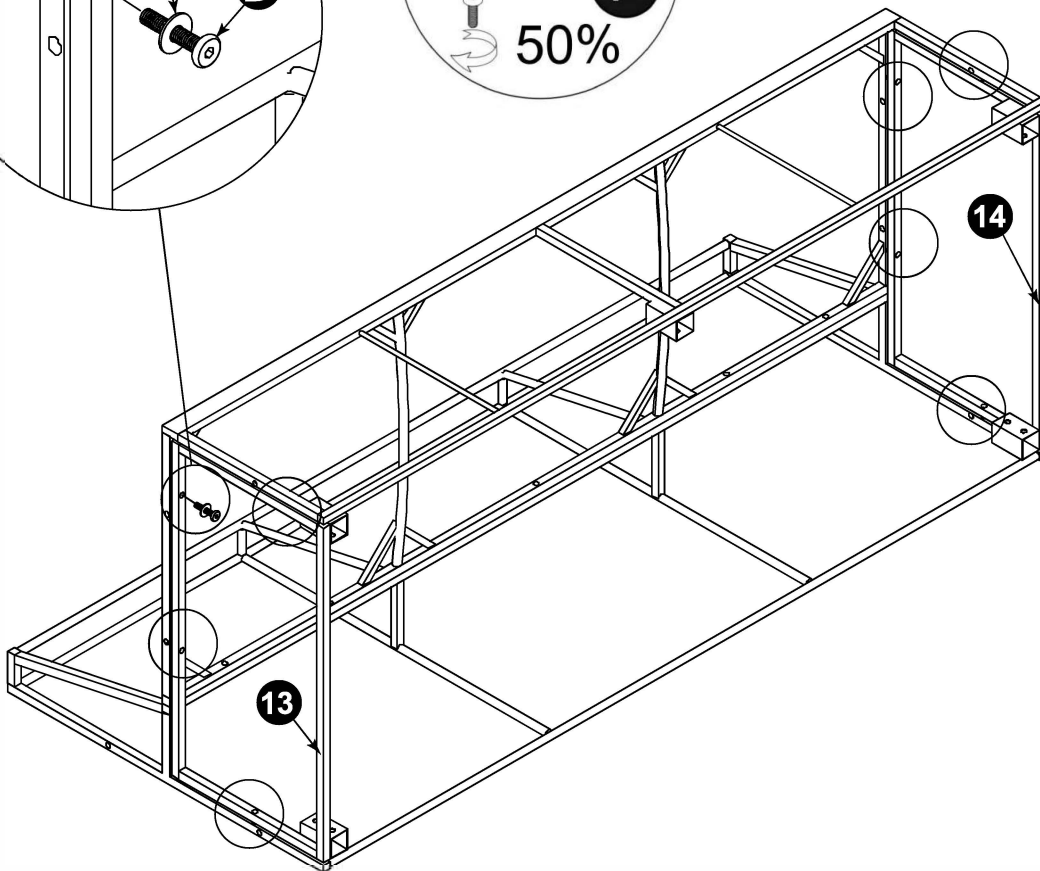
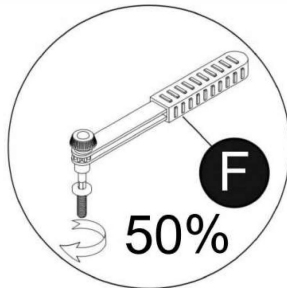
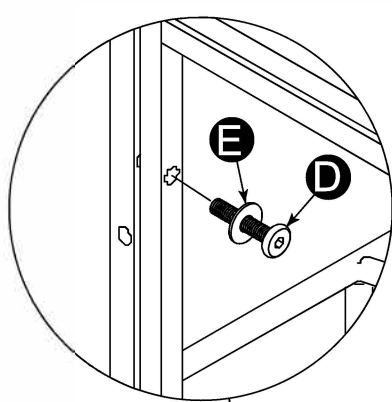
D		5	
E		5	
F		1	



# ASSEMBLY INSTRUCTIONS

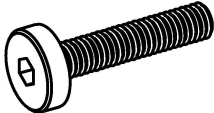

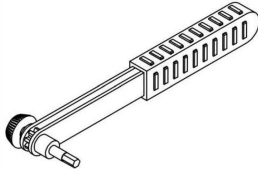
Step 2:

D		8	
E		8	
F		1	

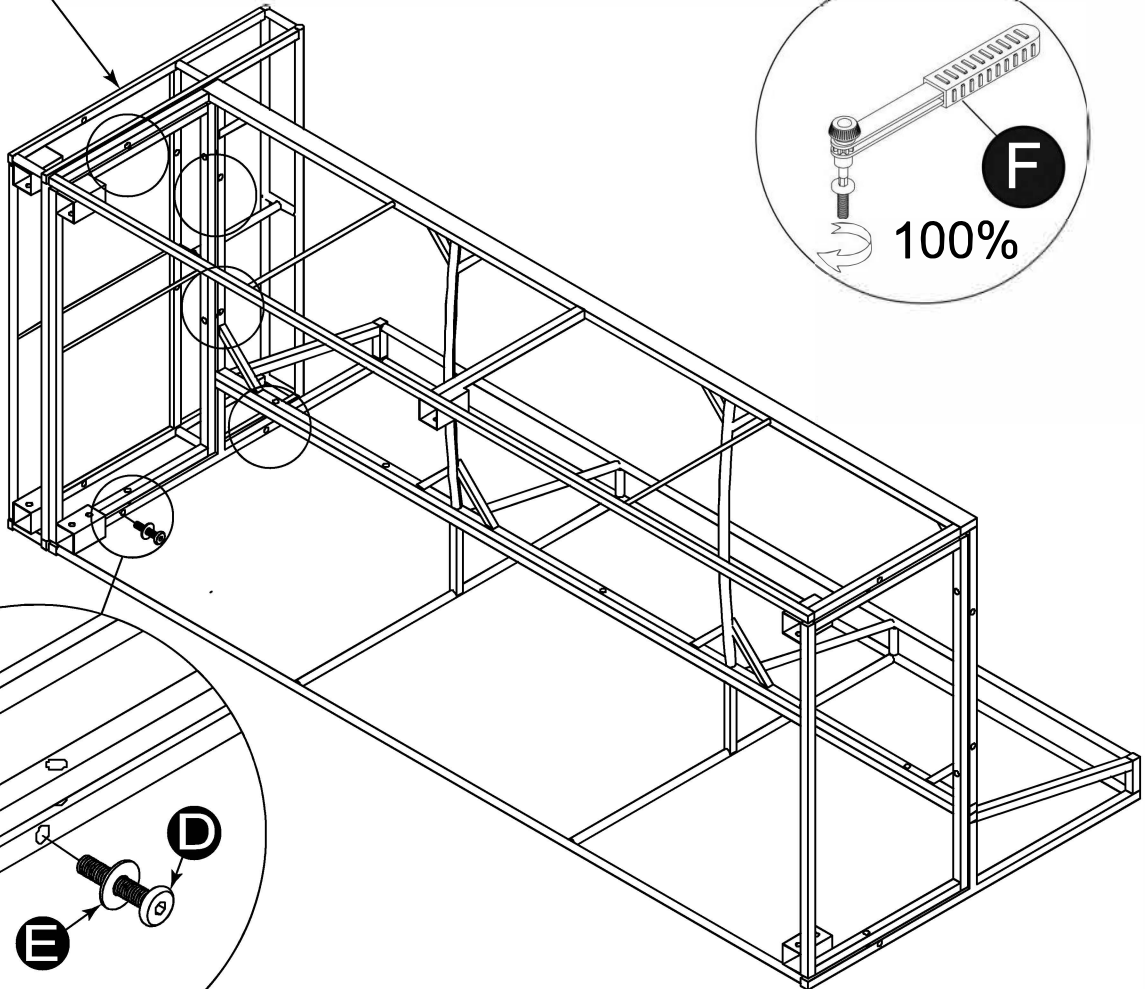


# ASSEMBLY INSTRUCTIONS

Step 3:

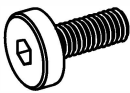

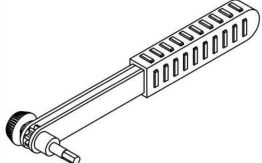
<b>D</b>		<b>5</b>	
<b>E</b>		<b>5</b>	
<b>F</b>		<b>1</b>	

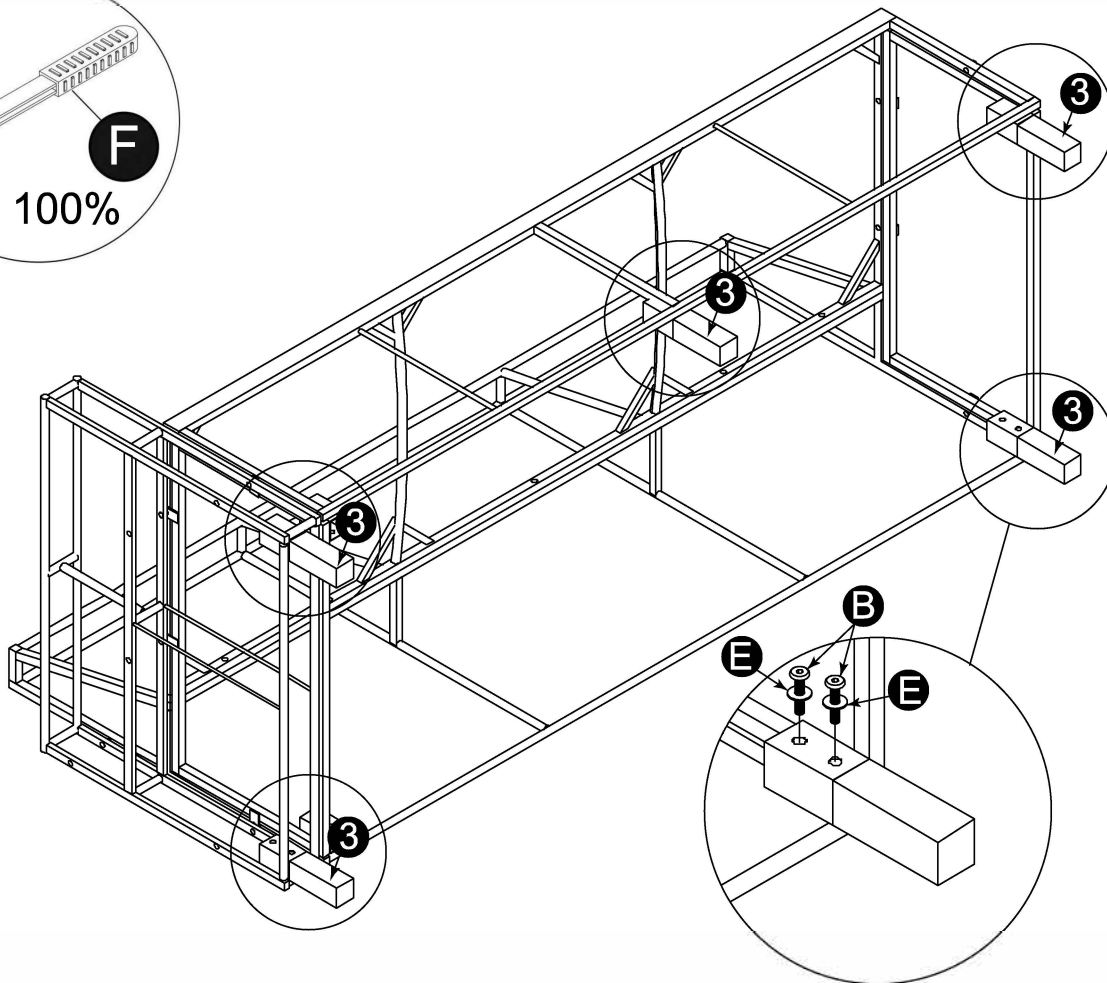
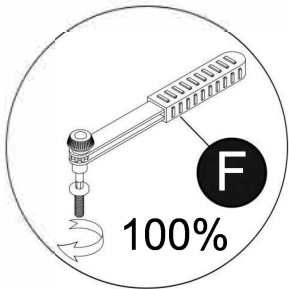
12



# ASSEMBLY INSTRUCTIONS

Step 4:

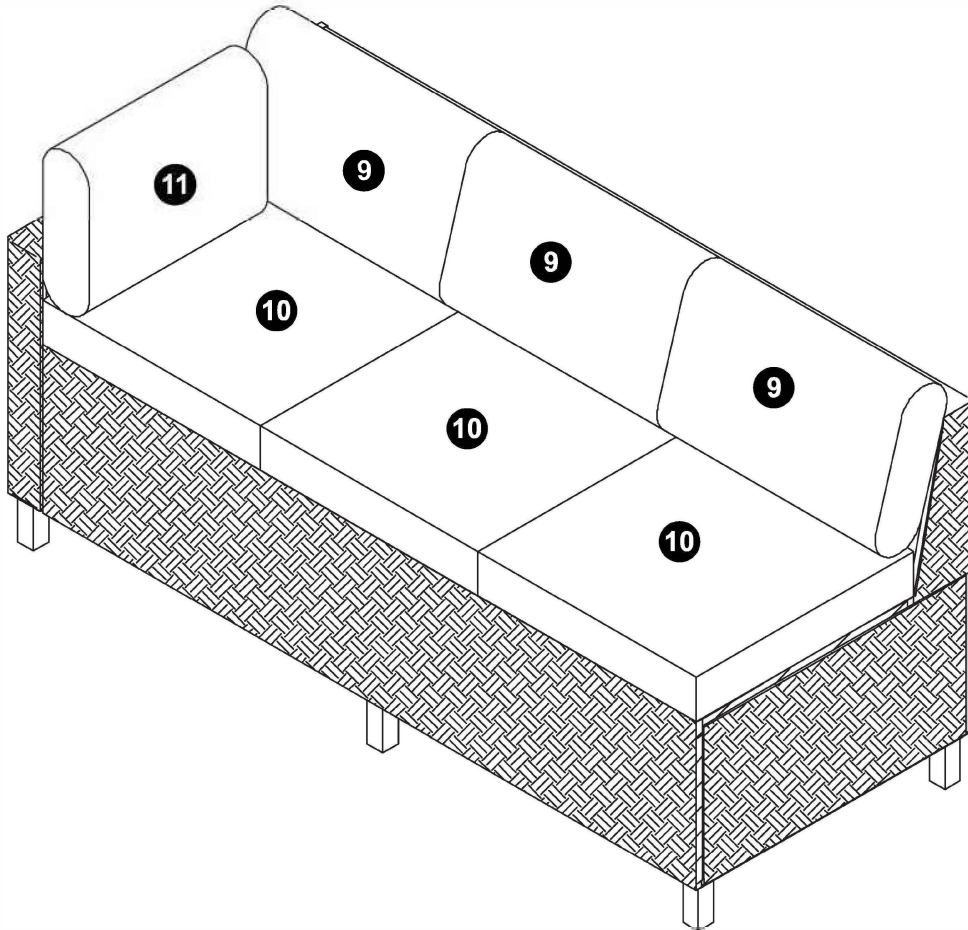
<b>B</b>		<b>10</b>	
<b>E</b>		<b>10</b>	
<b>F</b>		<b>1</b>	



# ASSEMBLY INSTRUCTIONS

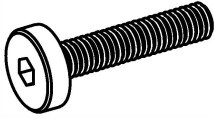

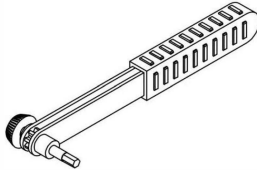
---

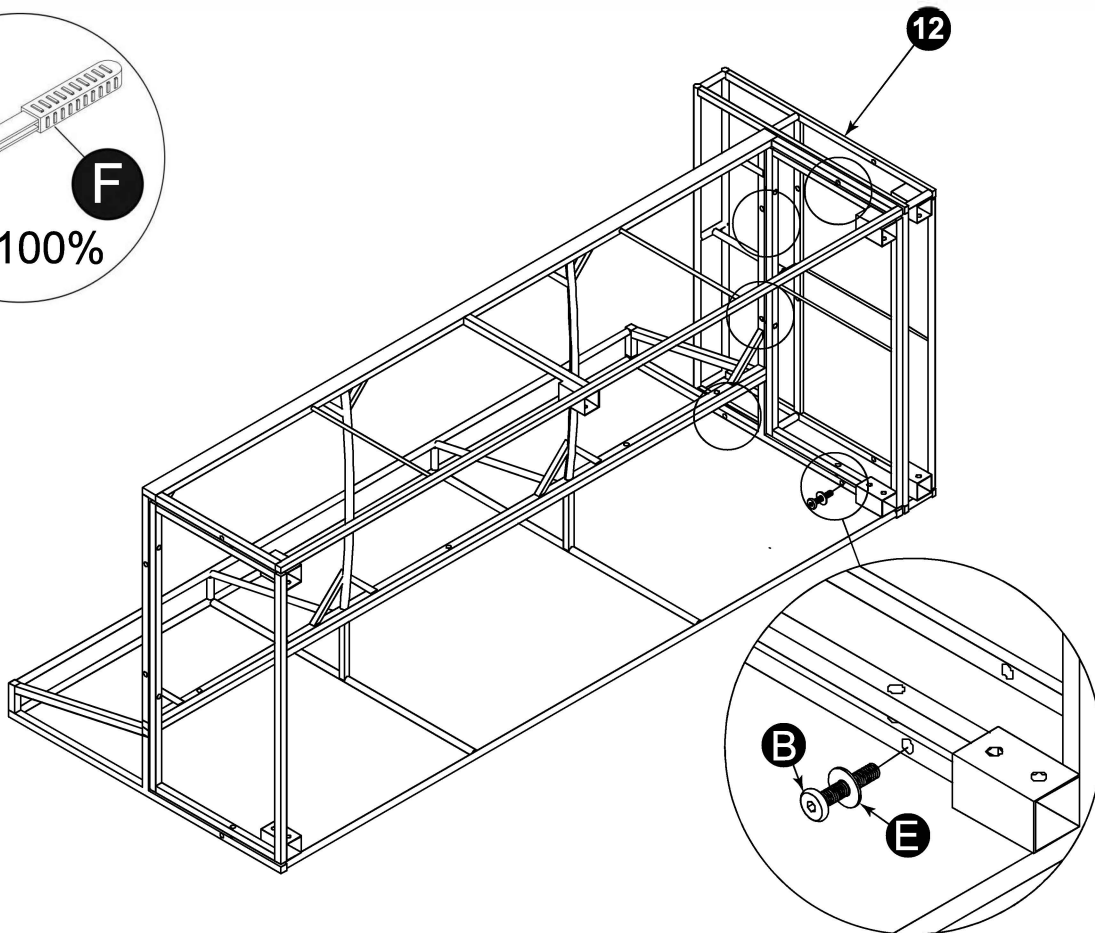
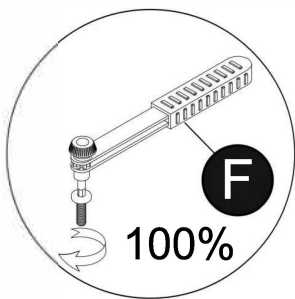
**Step 5:**



# ASSEMBLY INSTRUCTIONS

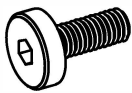

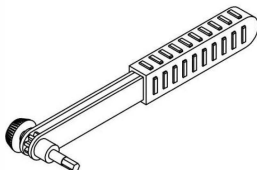
Step 6:

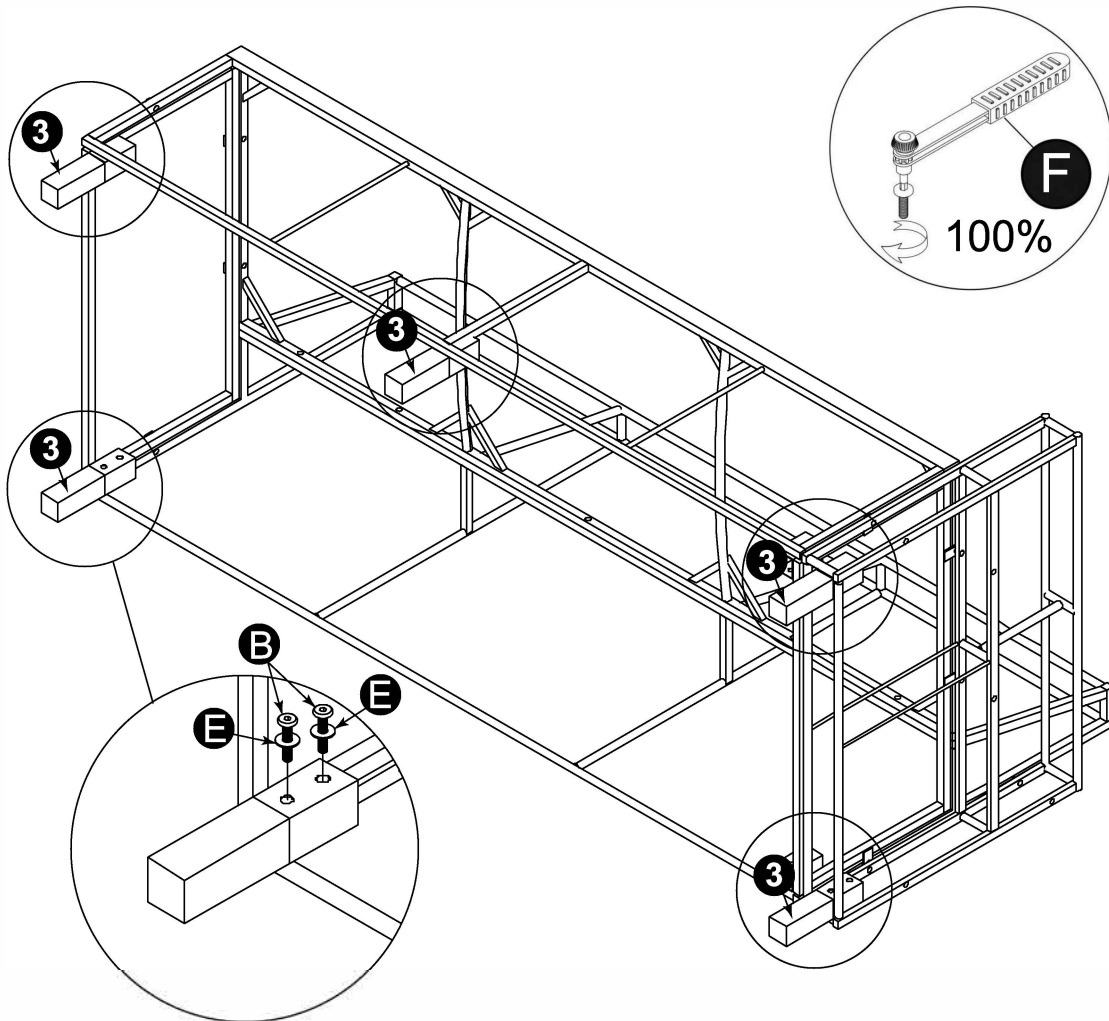
<b>D</b>		<b>5</b>	
<b>E</b>		<b>5</b>	
<b>F</b>		<b>1</b>	



# ASSEMBLY INSTRUCTIONS

Step 7:

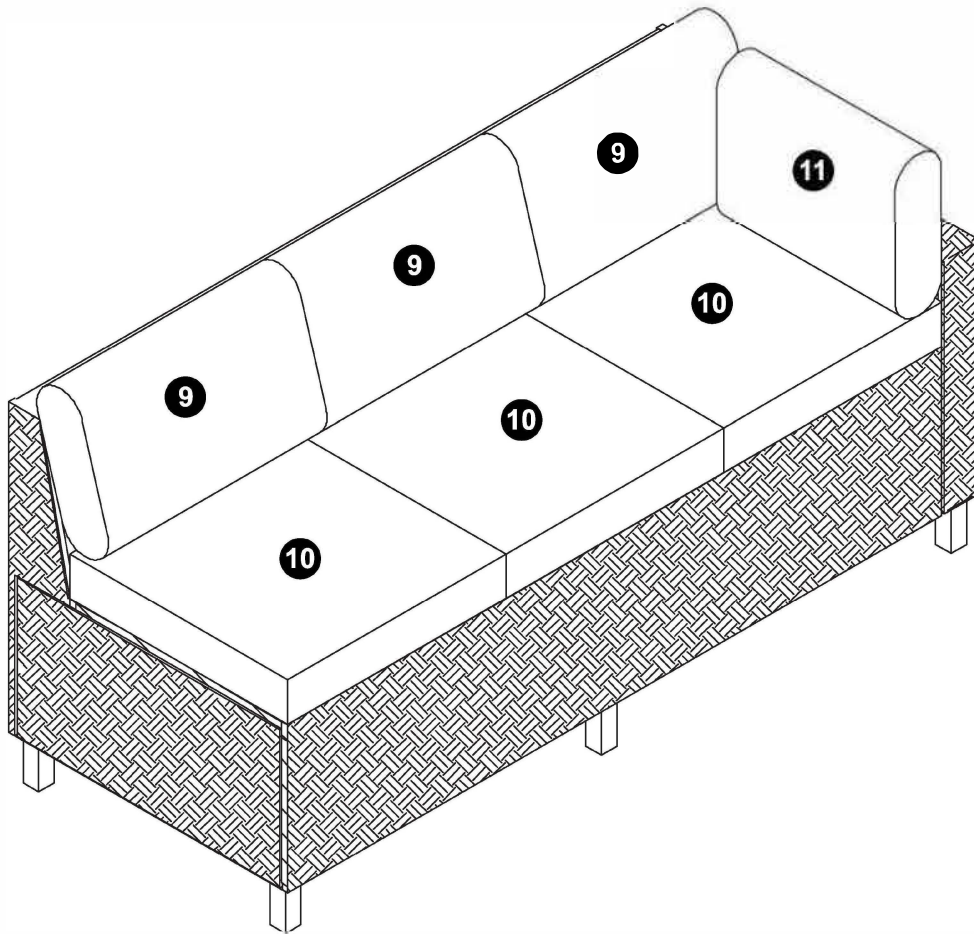
<b>B</b>		<b>10</b>	
<b>E</b>		<b>10</b>	
<b>F</b>		<b>1</b>	



# ASSEMBLY INSTRUCTIONS

---

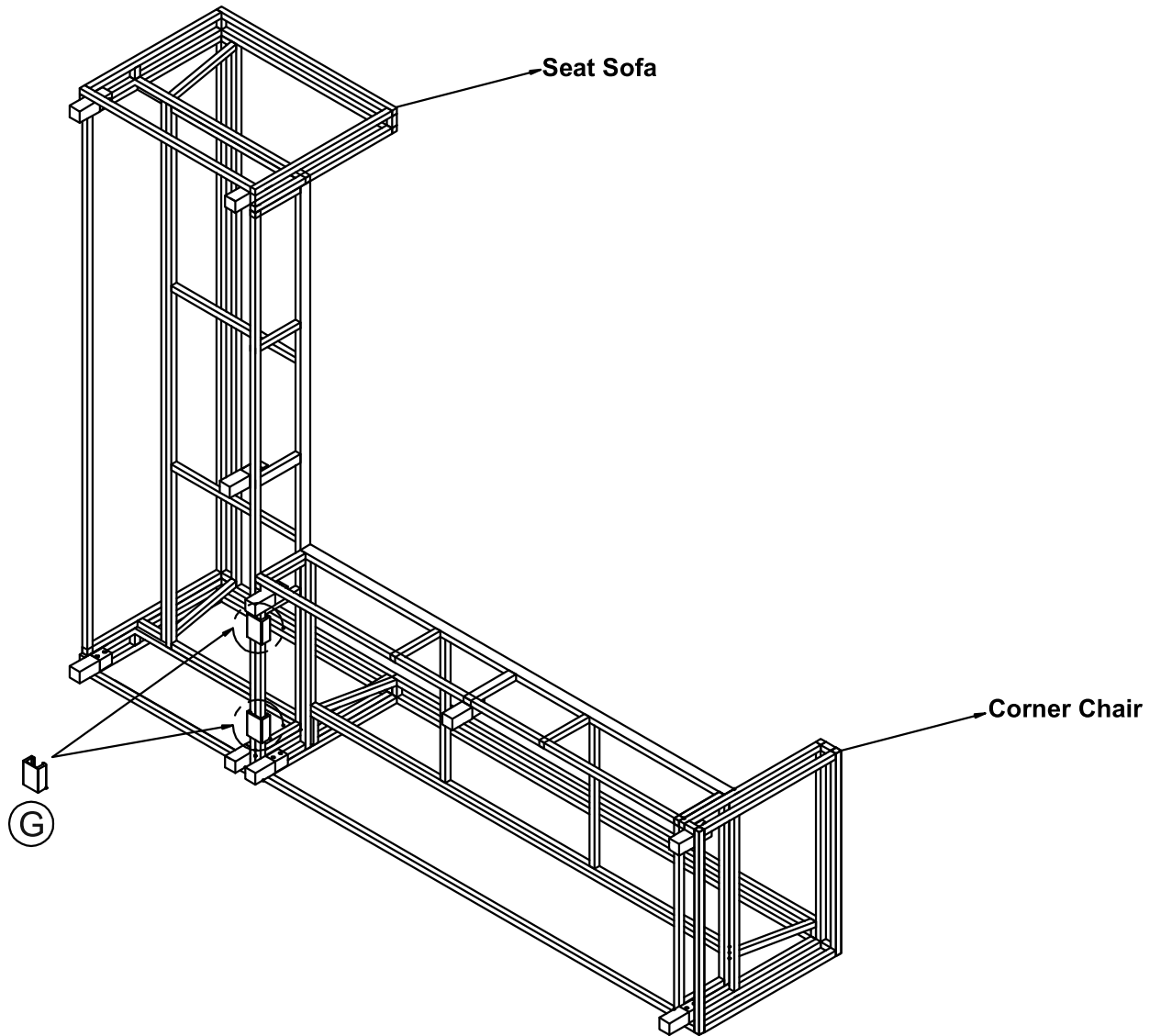
## Step 8:



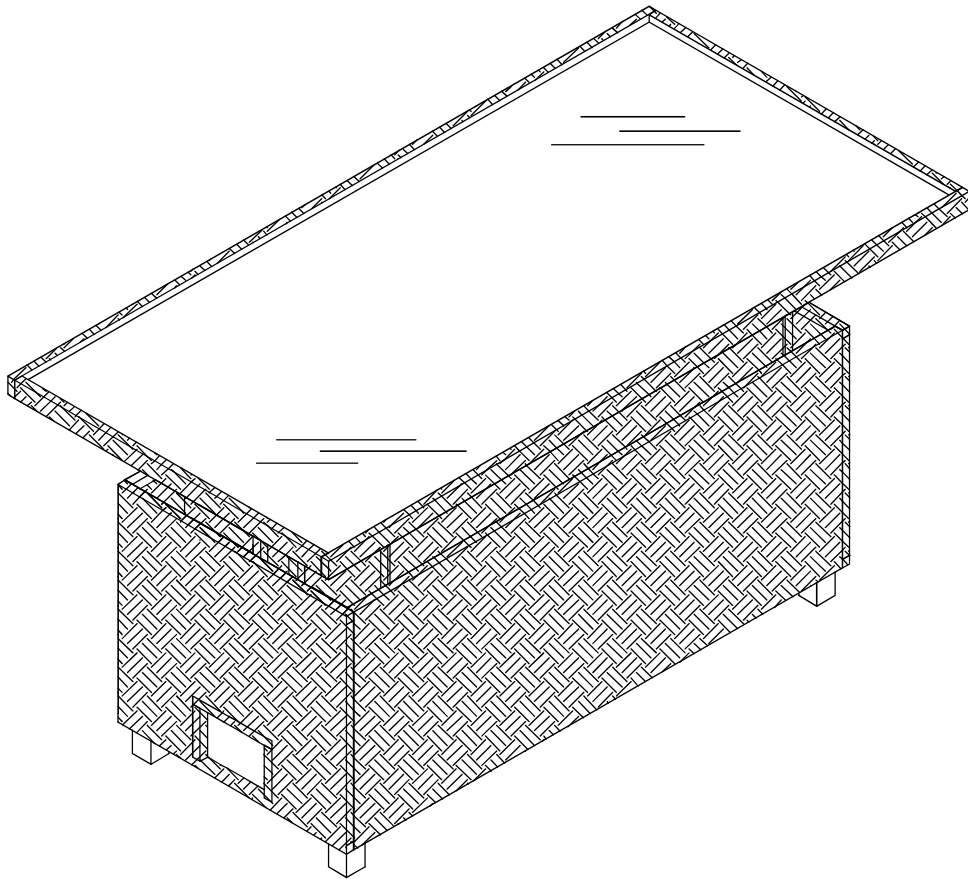
Congratulations! Now you have finished assembling the product.

# ASSEMBLY INSTRUCTIONS

---

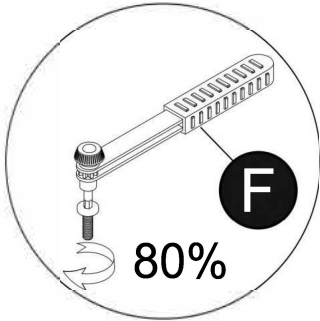


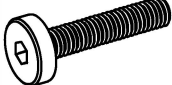

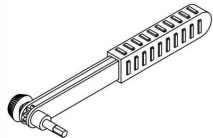
# COFFEE TABLE

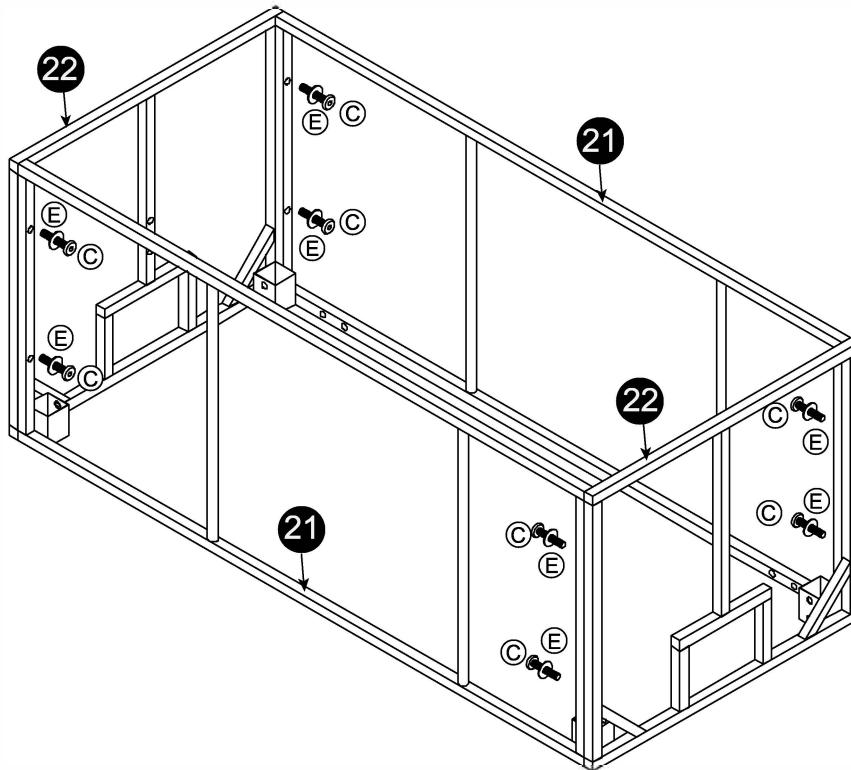


# ASSEMBLY INSTRUCTIONS

Step 1: Connect Long hips lower frame (5) & Short hips and lower frame (6) tighten Bolt (C), Flat Washer (E) with Allen Key (F).

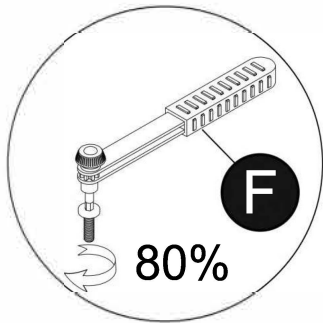


C		8	
E		8	
F		1	

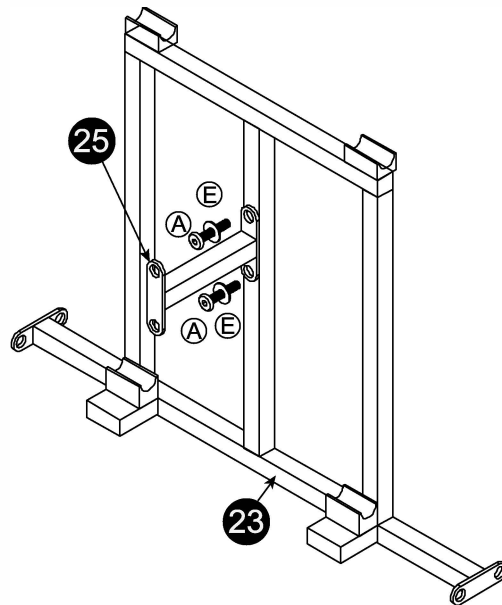
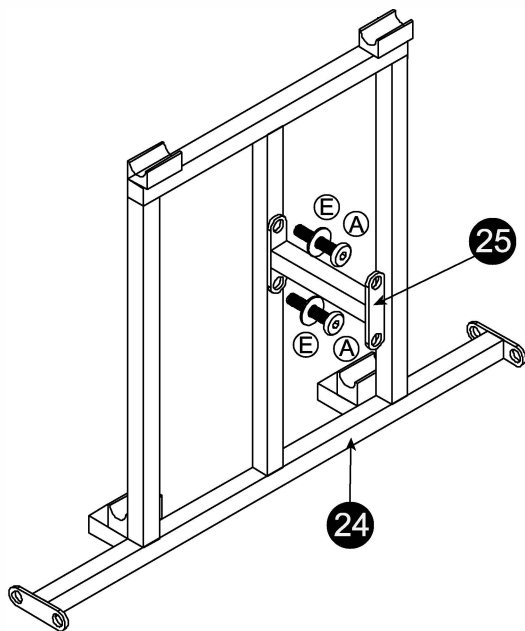


# ASSEMBLY INSTRUCTIONS

Step 2: Connect Link (9) & Internal support frame left (7), Internal support frame right (8) tighten Bolt (A), Flat washer (E) with Allen Key (F).



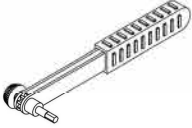


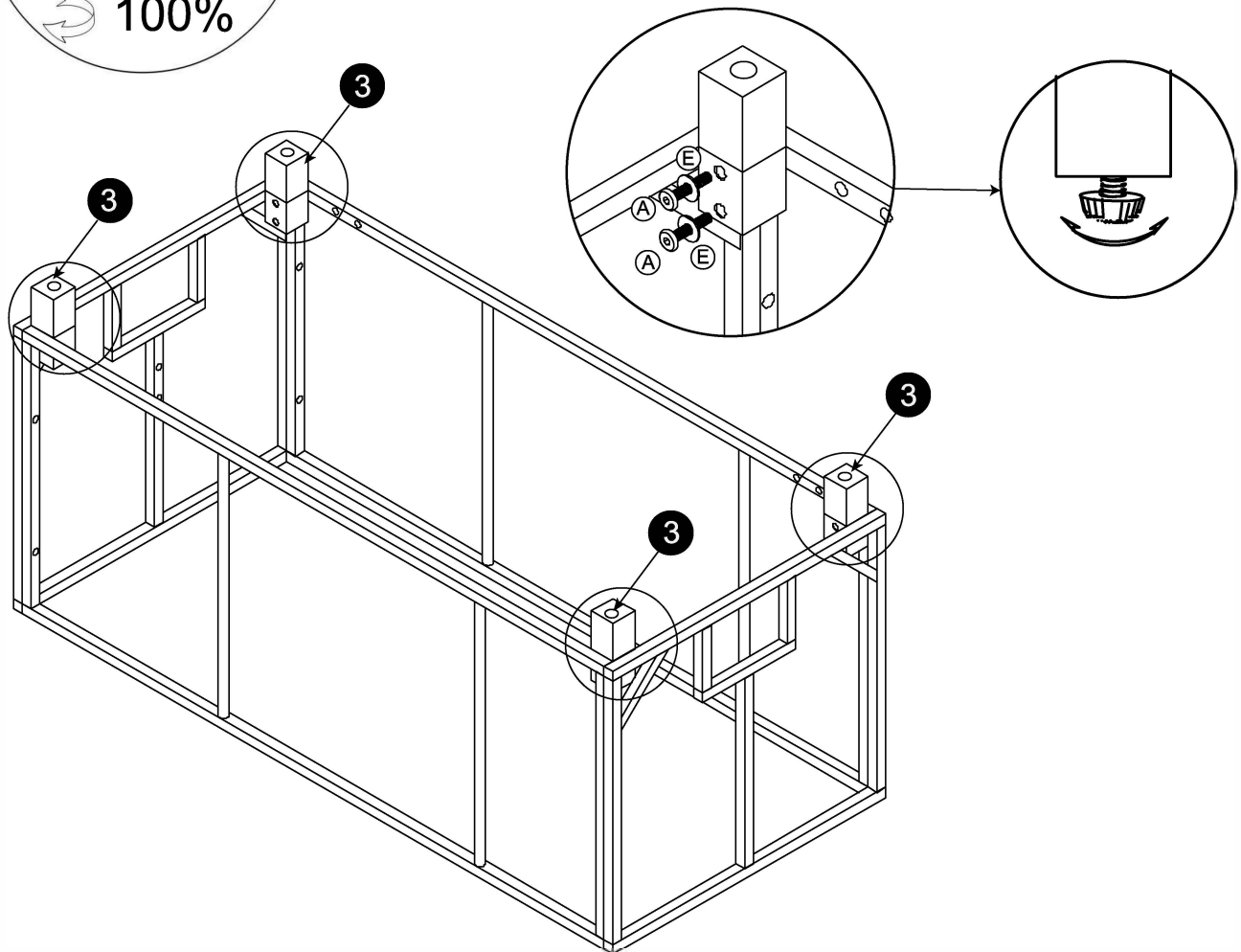
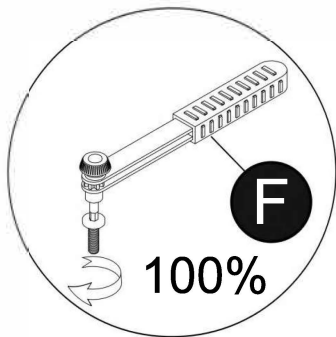
A		4	
E		4	
F		1	



# ASSEMBLY INSTRUCTIONS

Step 3: Tighten Bolt (A)  
Flat Washer (E) with Allen  
Key (F) to fix Leg (10).



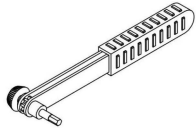
A		8	
E		8	
F		1	

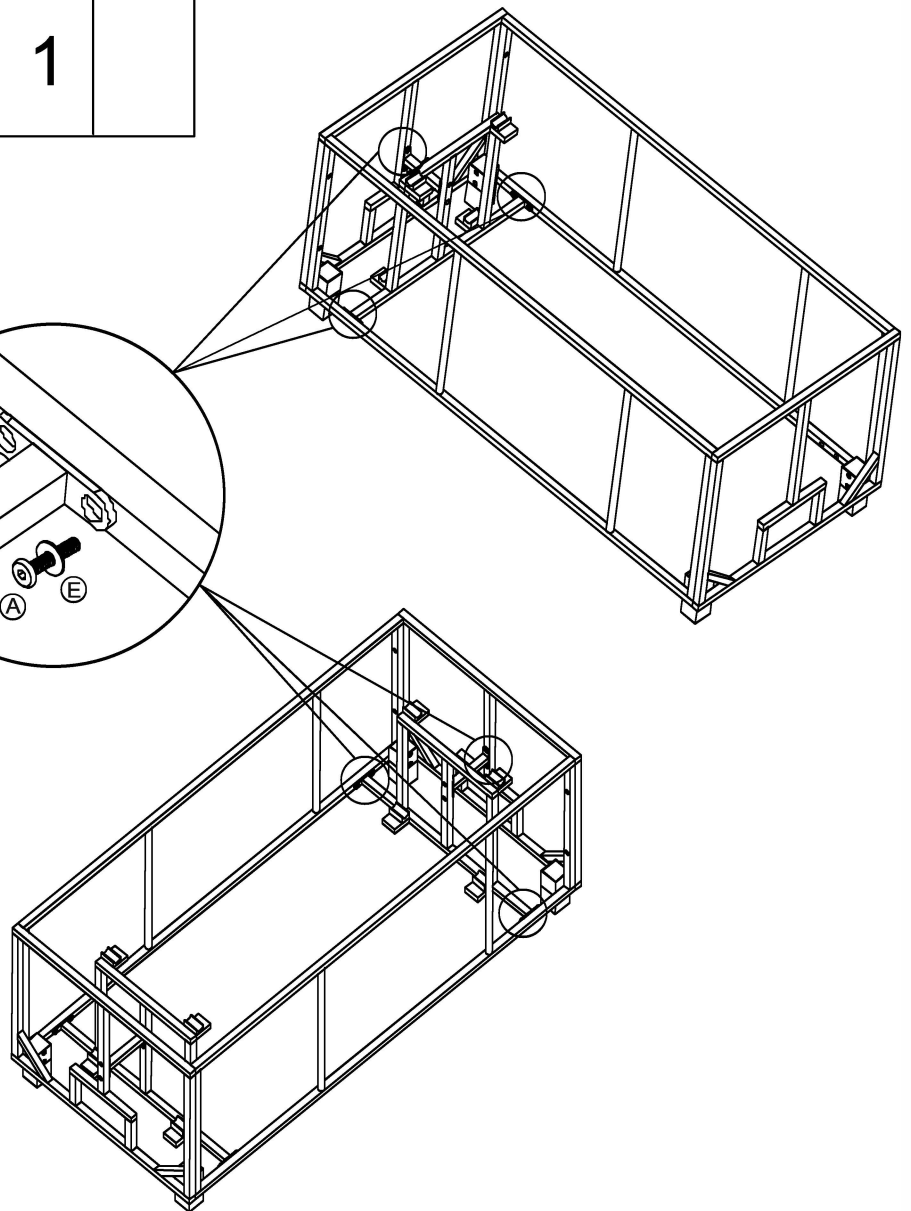
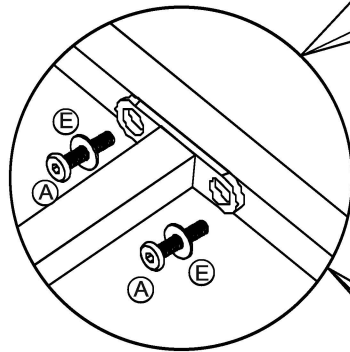
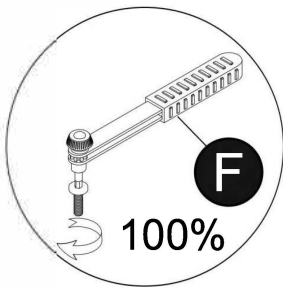


# ASSEMBLY INSTRUCTIONS

---

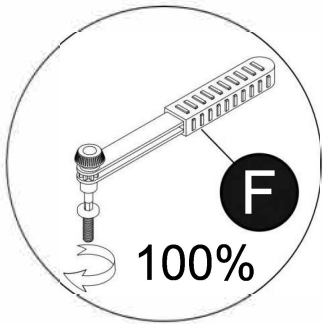
Step 4: Tighten Bolt (A), Flat Washer (E) in position with Allen Key (F) to fix all the components.

A		12
E		12
F		1

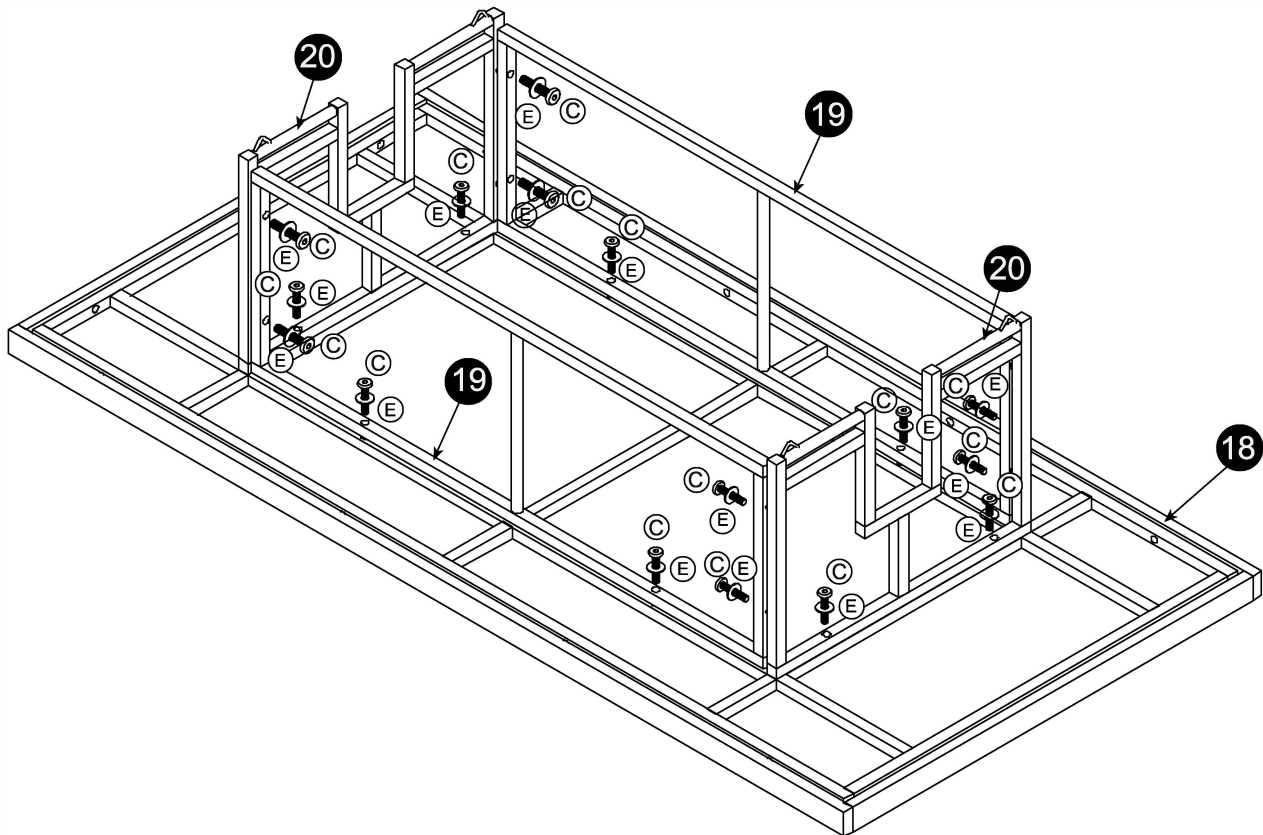


# ASSEMBLY INSTRUCTIONS

Step 5: Connect Table top (2), Middle long hips (3) & Short hips in the middle (4), tighten Bolt (C), Flat Washer (E) with Allen Key (F).



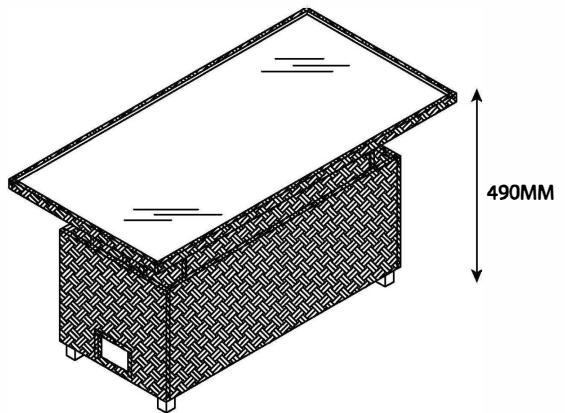
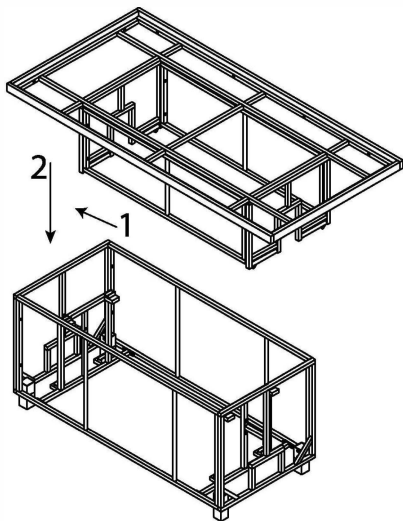
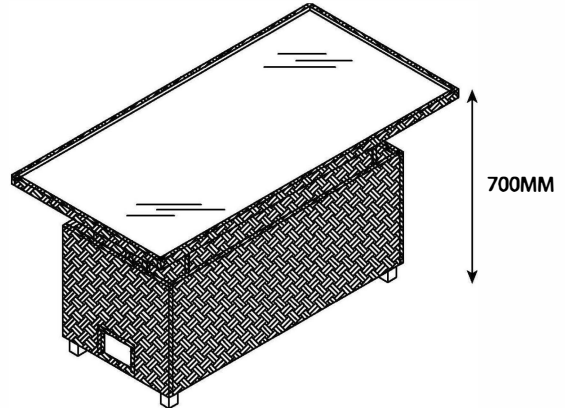
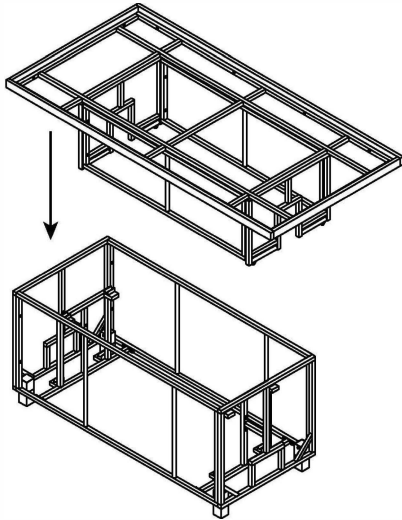
C		16	
E		16	
F		1	



# ASSEMBLY INSTRUCTIONS

---

Step 6: Put The glass on to finish the table.  
Pull up or push down to adjust the height.



Congratulations! Now you have finished assembling the product.