

USER'S MANUAL

Gazebo Canopy

IMPORTANT:

KEEP THIS INSTRUCTION MANUAL FOR FUTURE REFERENCE.

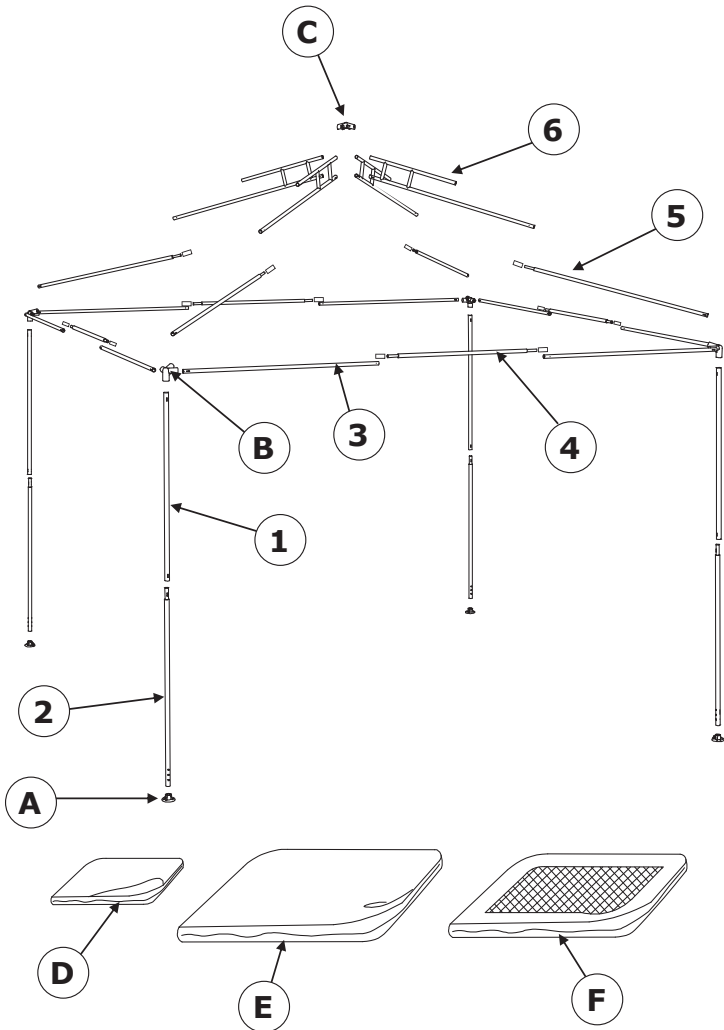
WARNING:

1. Two people are required for assembly.
2. Some parts may contain sharp edges. We recommend that that you wear protective gloves.
3. When assembling and using this product, basic safety precautions should always be followed to reduce the risk of personal injury or damage. Please read all instructions before assembly and usage.
4. Do not leave the gazebo in the place where there is a risk of high winds, as possible damage will occur to the structure.
5. **WARNING: KEEP ALL FLAME AND HEAT SOURCES AWAY FROM THIS GAZEBO/ CANOPY/ FABRIC** This gazebo/ canopy meets the flammability requirements of CPAI-84. The fabric may burn if left in continuous contact with any flame source. The application of any foreign substance to the gazebo/ canopy fabric may render the flame-resistant properties ineffective.

PREPARATION:

Before beginning assembly of this product, make sure all parts are present. Compare parts with package contents list. If any part is missing or damaged, do not attempt to assemble the product.

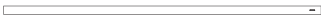
EXPLODED DRAWING



Part list

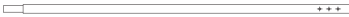
① x4

Upper post



② x4

Lower post



③ x8

Long support



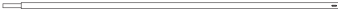
④ x4

Short support



5 x4

Top short beam



6 x4

Top long beam



A x4

Base



B x4

Beam connector



C x1

Top connector



D x1

Small canopy



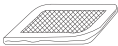
E x1

Big canopy



F x1

Mosquito netting



z x12

Joint



AA x8



Dia.4*180mm

Stake

BB x8



Rope

CC x8



Dia.6*260mm

Big stake

DD x40

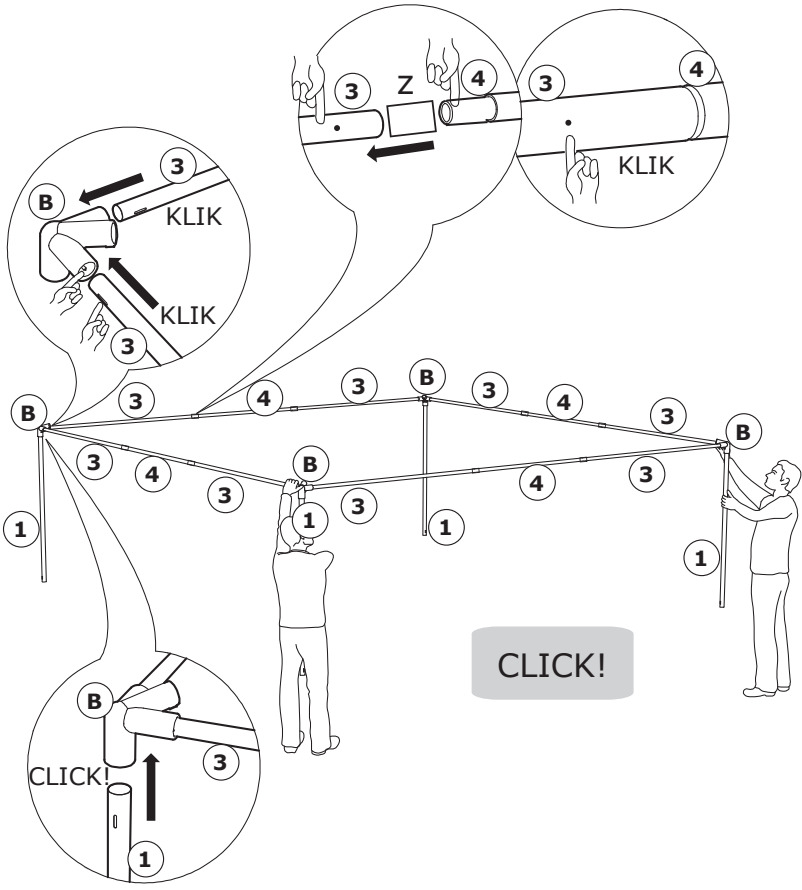
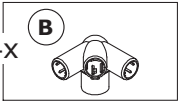
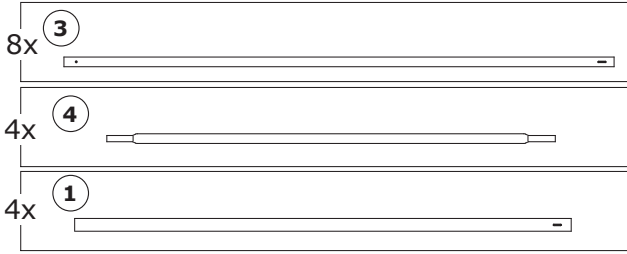


Ring

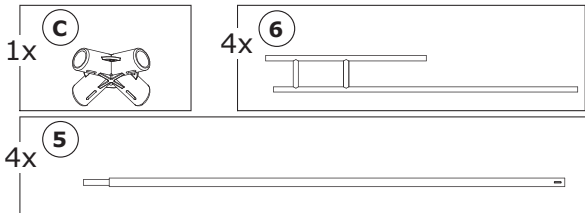
Spare

x5

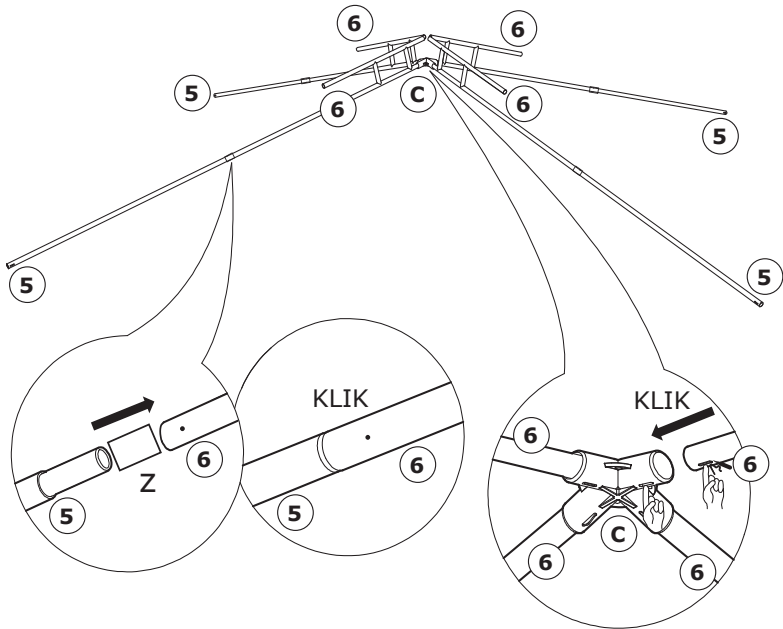
1



2

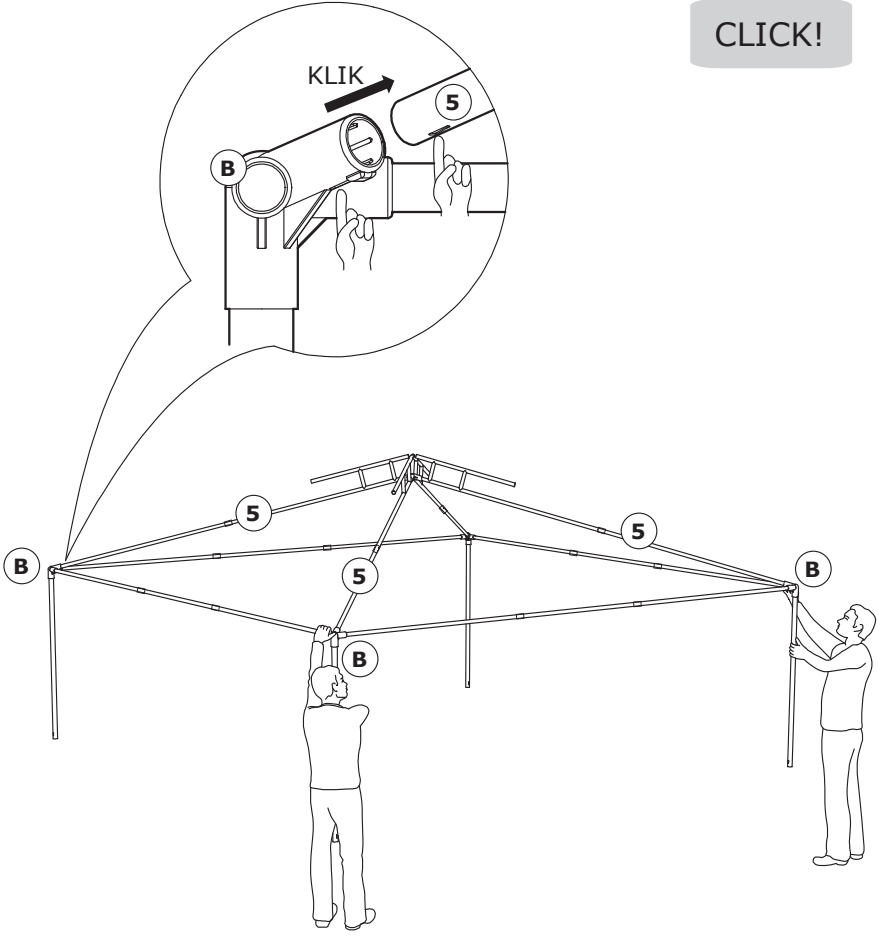


CLICK!

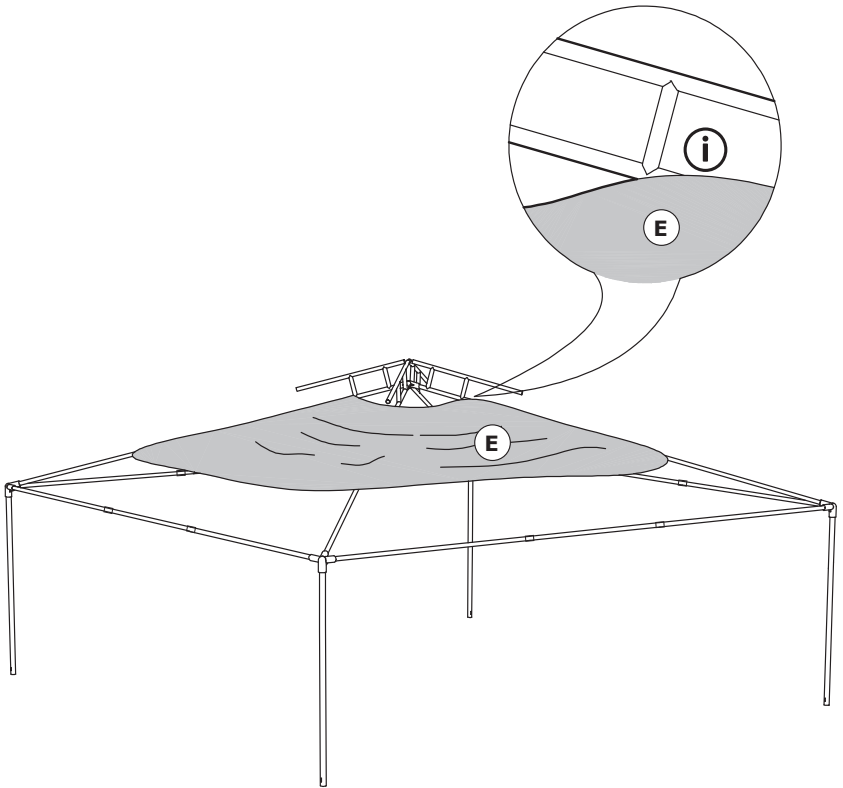
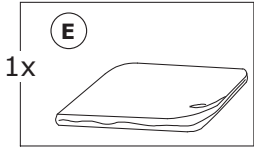


3

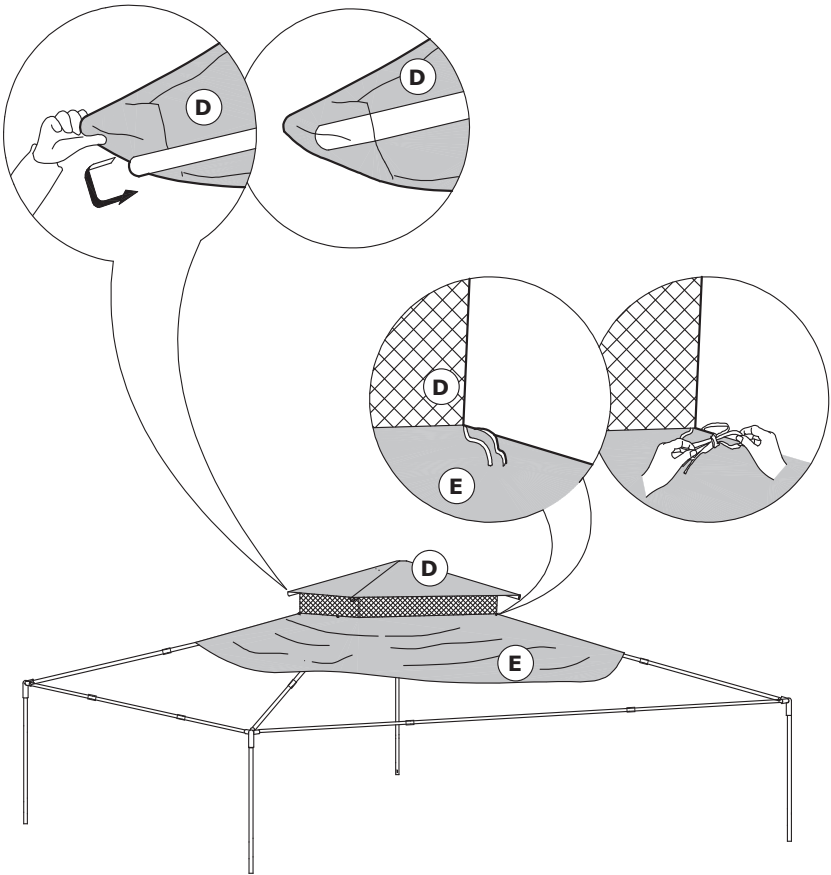
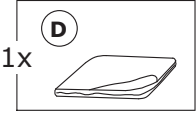
CLICK!



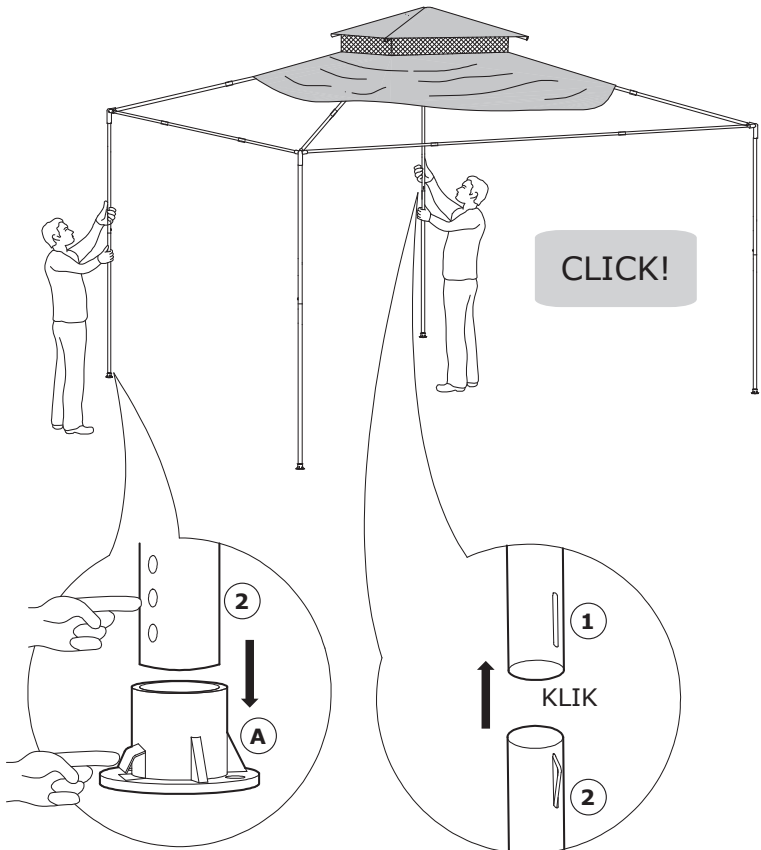
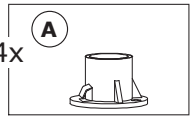
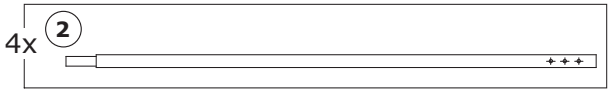
4



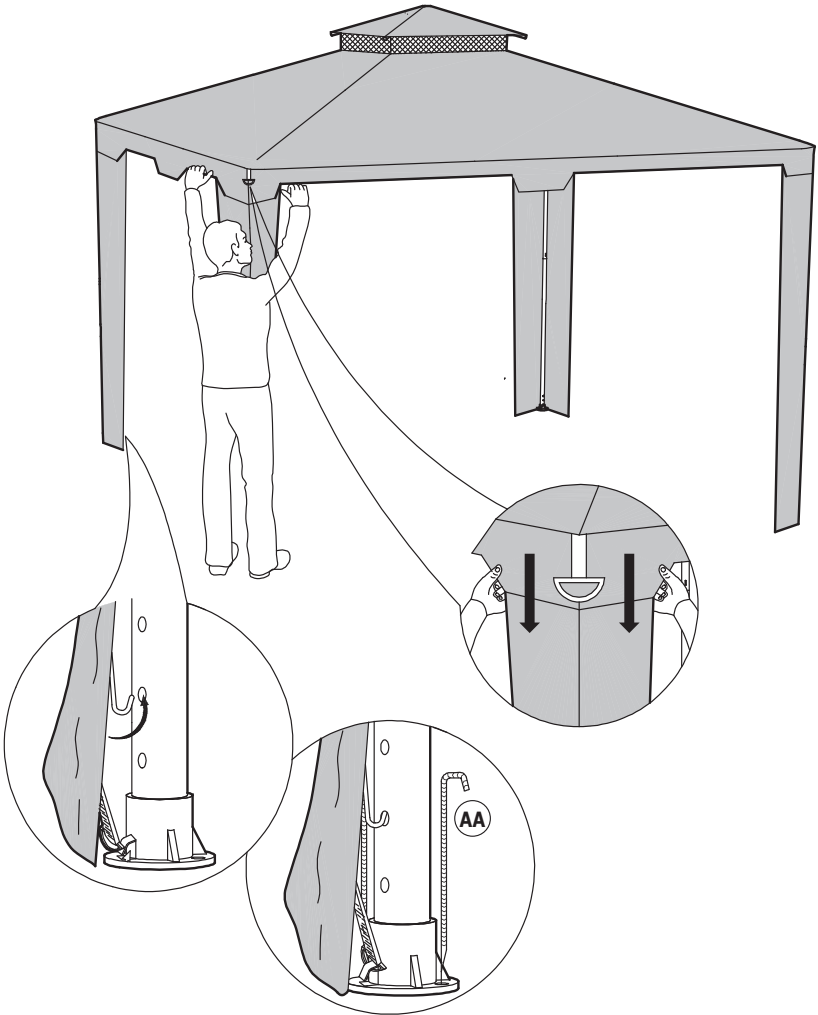
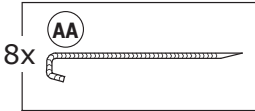
5

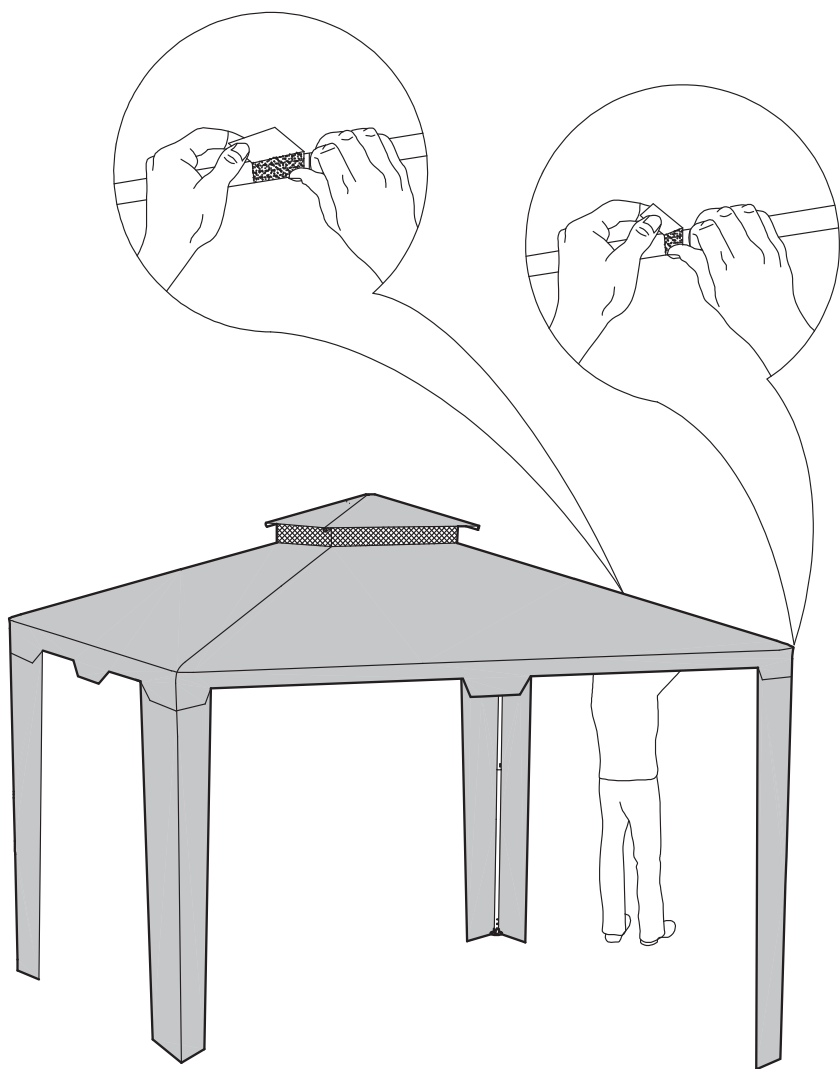


6

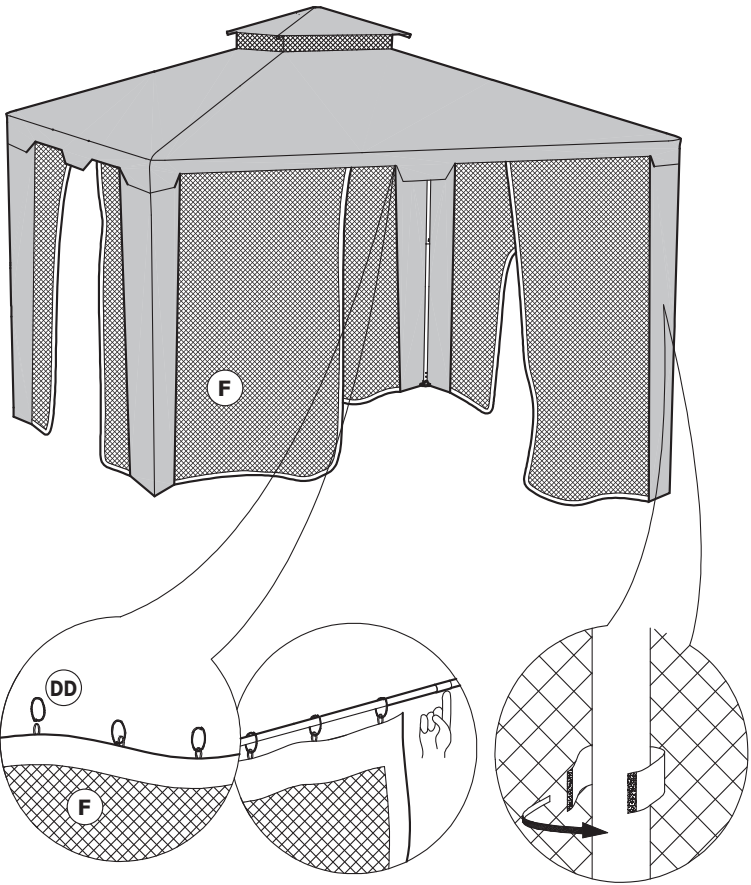
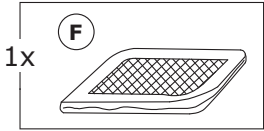


7

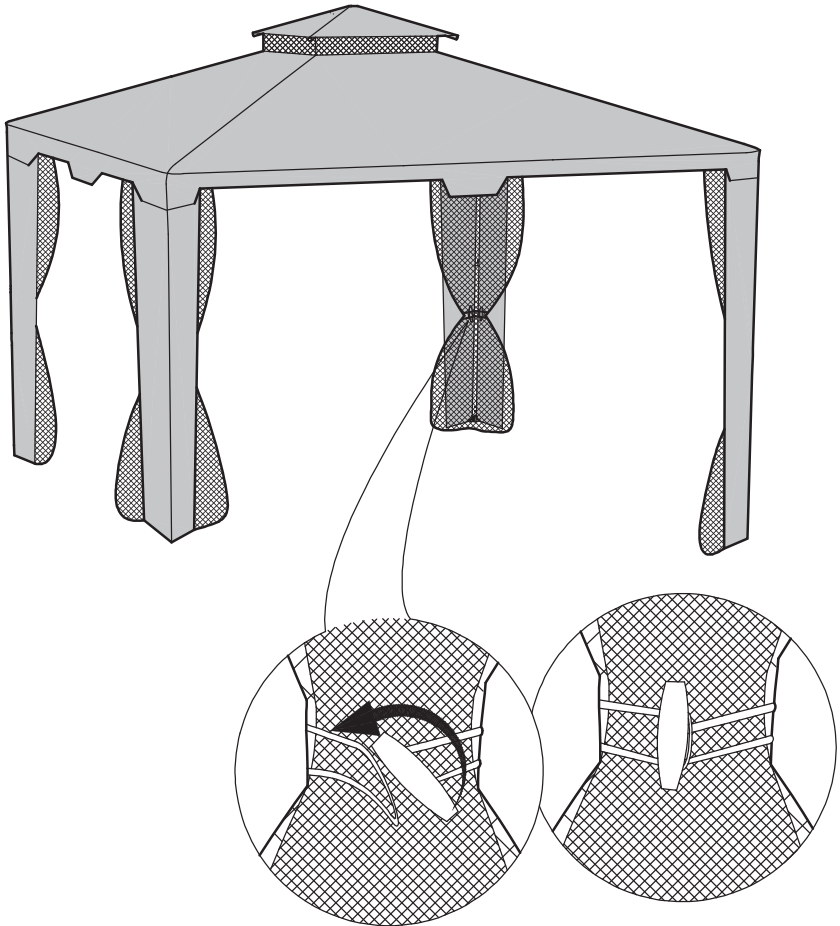




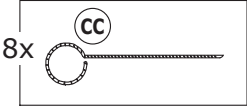
9



10



11



Care and Maintenance

- The steel components of our garden fittings and furniture are treated with anti-rust paint to prevent them from rusting. However, due to the nature of steel, surface oxidation (rusting) will occur once these protective coatings are scratched.
- To minimize this condition, we recommend care when assembling & handling the product to prevent scratching the paint. Should any scratching or damage occur, we recommend immediate touch up with rust inhibiting paint.
- Surface rust can also be easily removed with a very light application of common cooking oil. If surface oxidation (rusting) occurs and if no measure is taken to prevent this, the oxidation may start dripping on to deck or patio and cause damaging stains, which may be difficult to remove. This can be prevented if the above mentioned measures are taken to keep the product from oxidizing.
- Use damp cloth to wipe off the stains as quickly as possible.
- If necessary, wash with a mild solution of soap and water; rinse thoroughly and dry completely.
- Periodically check and ensure that all bolts are well-tighten during use