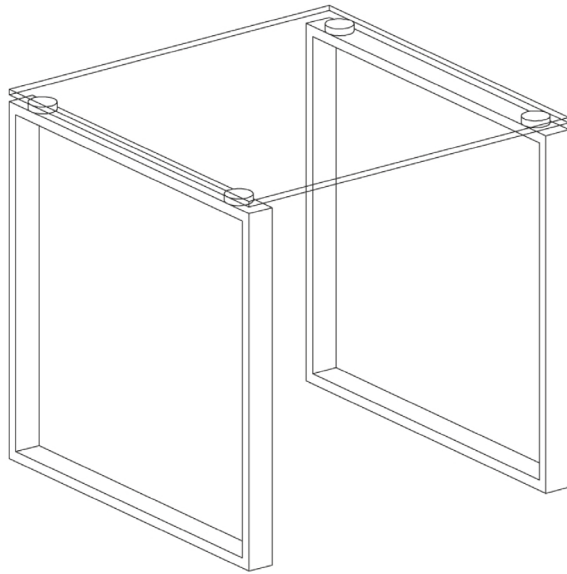


ASSEMBLY GUIDE



Important - Please read these instructions fully before starting assembly



**SAFETY AND
CARE ADVICE**



NO POWER TOOLS

SAFETY AND CARE ADVICE

- Check you have all the components and tools listed.
- Remove all fittings from the plastic bags and separate them into their groups.
- We do not recommend the use of power drills/drivers for inserting screws, as this could damage the unit. Only use hand screwdrivers and Allen keys.
- Keep children and animals away from the work area, small parts could cause choking if swallowed.
- Make sure you have enough space to layout the parts before starting.
- Assemble the item as close to its final position (in the same room) as possible.
- Do not overtighten the nuts to avoid causing damage to the threads.
- Only clean using a damp cloth and mild detergent, do not use bleach or abrasive cleaners.
- From time to time check that there are no loose screws on this unit
- This product should not be discarded with household waste. Take to your local authority waste disposal centre

IMPORTANT INFORMATION



30 MINUTE
BUILD



TWO
PERSON



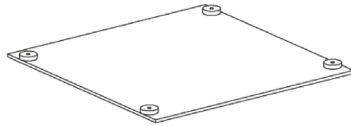
GLASS



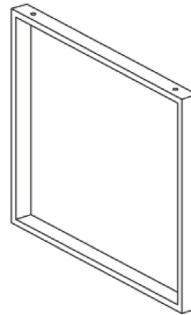
MAXIMUM
CAPACITY 100Kg






PLEASE CHECK CAREFULLY AND MAKE SURE YOU HAVE ALL FITTINGS AND TOOLS LISTED BELOW BEFORE YOU START.

1 x1 Table Top



2 x2 Table Legs



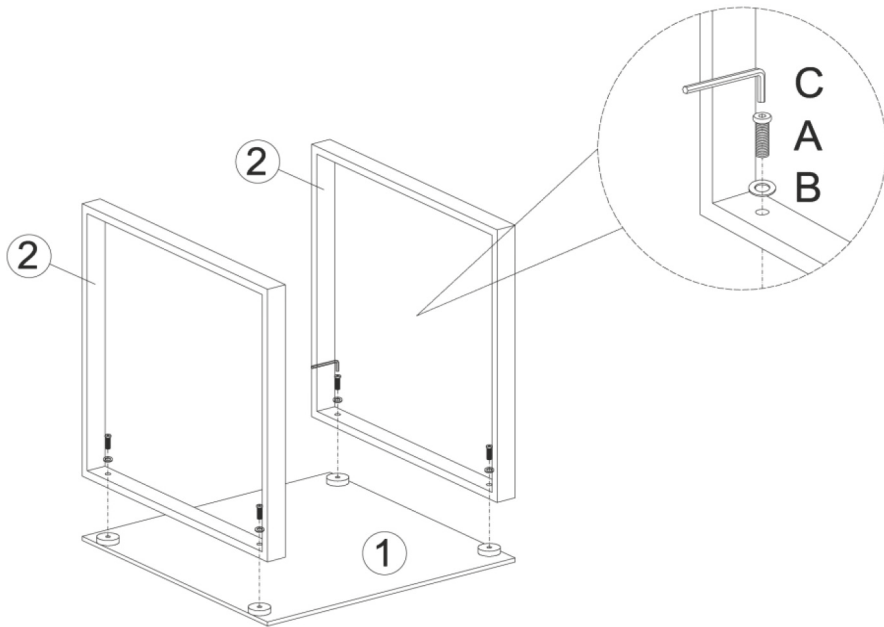
					
SCREWS	M8*20mm	WASHERS	M8	ALLEN KEY	M5
	x4		x4		x1

NOTE: The quantities above are the correct amount to complete the assembly. In some cases more fittings may be supplied than are required.

STEP 1

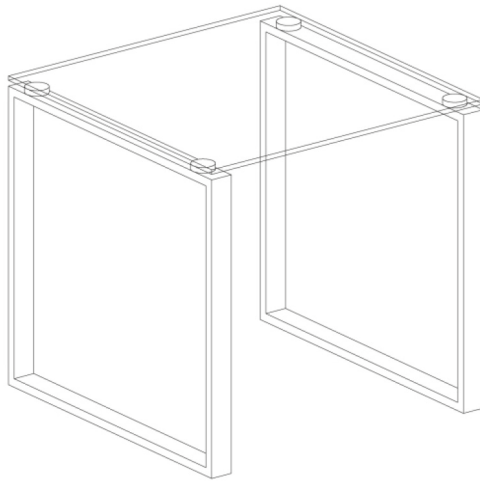
Use a clear, flat, soft surface to avoid bumps or scratches.

Lay table top [1] on floor, with metal discs facing up. Attach legs [2] to metal discs on table top, using 1 x washer [B] followed by 1 x screw [A]. Tighten with Allen key [C]



STEP 2

ATTENTION: Carefully, and with help, flip your table correct side up, so it sits on its legs. Check stability. Your side table is now ready to use.





OUR 2 YEAR* GUARANTEE

our products come with a 2 year guarantee to give you peace of mind shopping at

*excludes some garden furniture items which have a 1 year guarantee



WHAT THE GUARANTEE COVERS



PRE-INSERTED FIXINGS
e.g. lose metal threads



FAULTY JOINTS
e.g. legs bending



EXTERNAL FIXING FAULTS
e.g. bonding/glue



STRUCTURAL INTEGRITY
e.g. the frame of the product