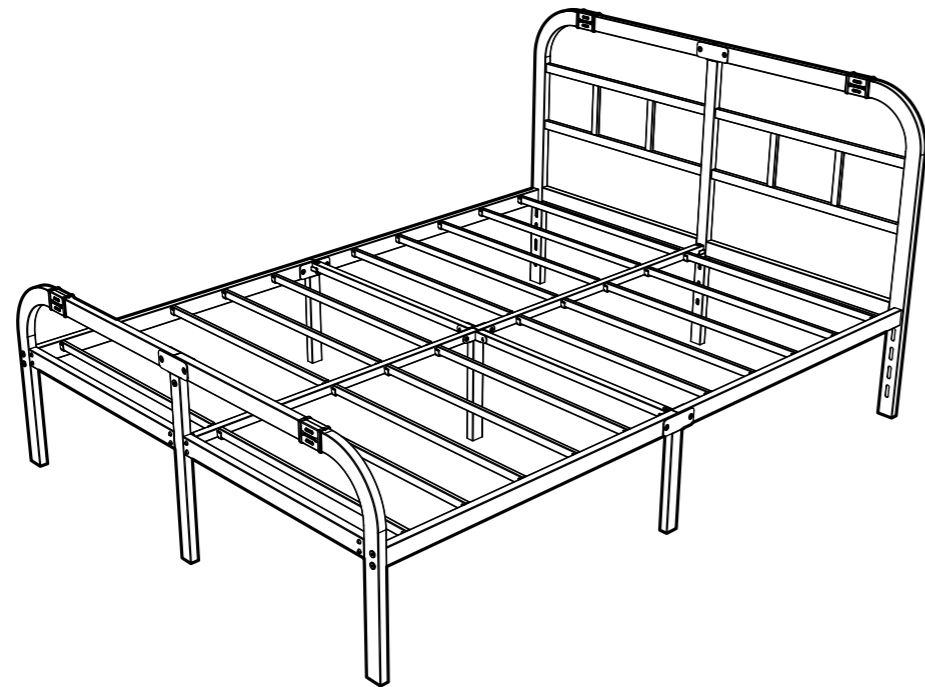
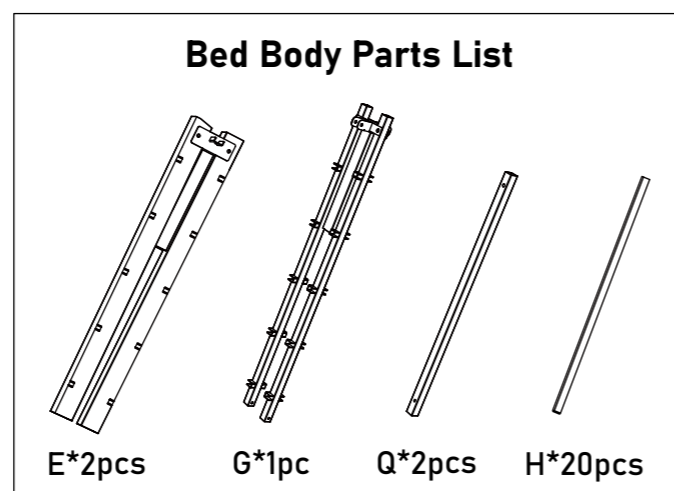
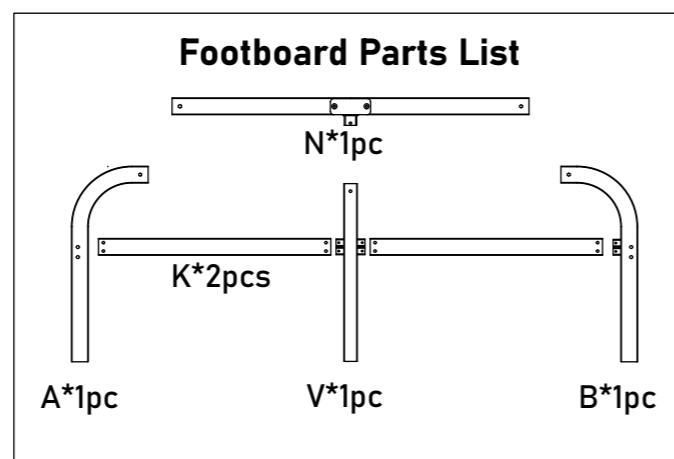
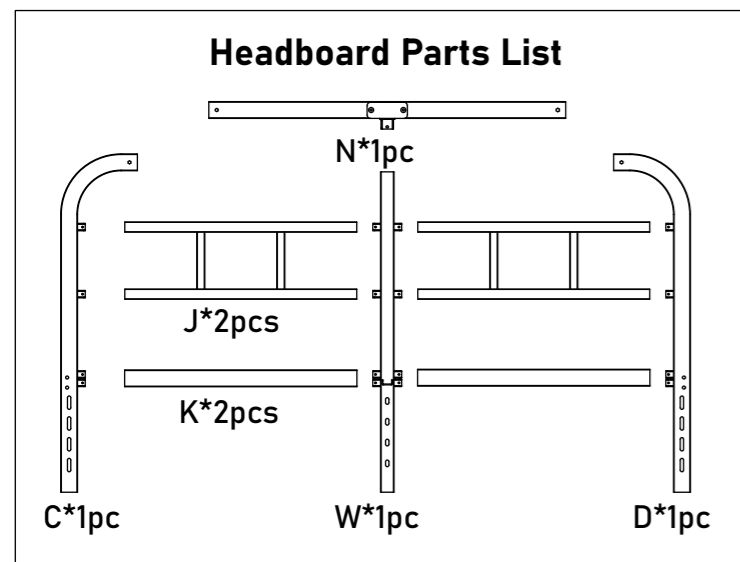


Platform Bed Set-up Instruction (SHF03/ 04/ 05/ 06)

SIZE : Full | Queen | King | Cal King

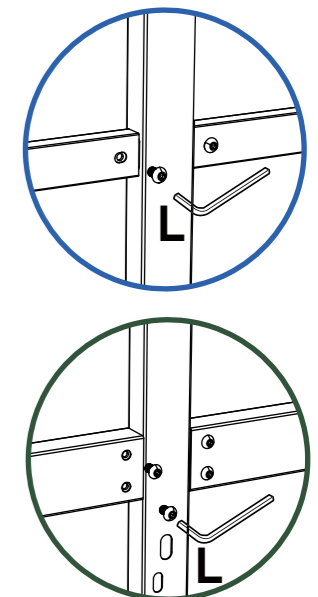
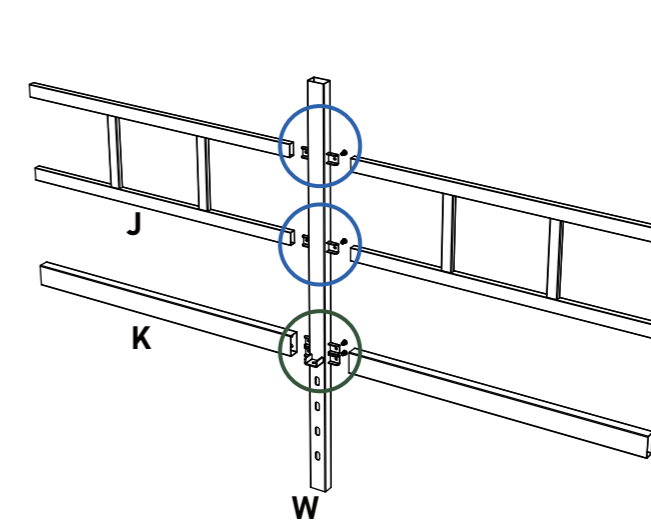
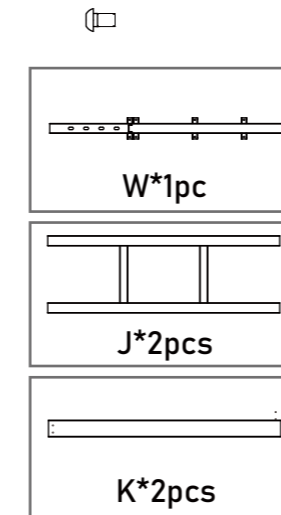


Component composition



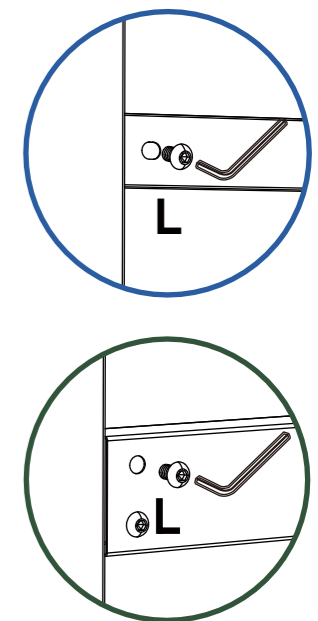
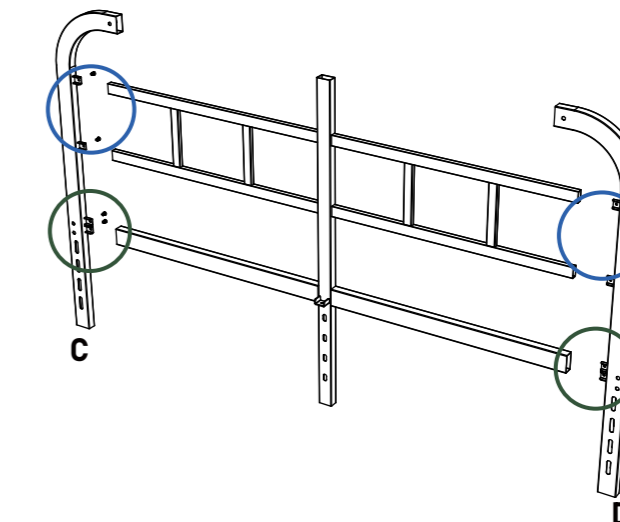
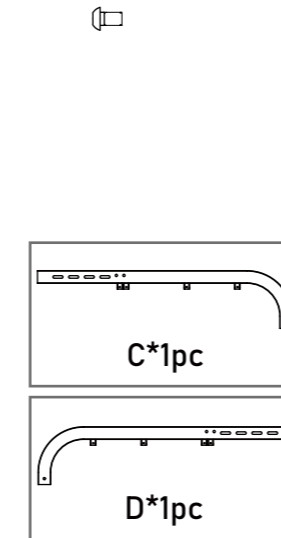
Step 1-1 (Assemble the headboard)

Need L*8pcs(M6*10)



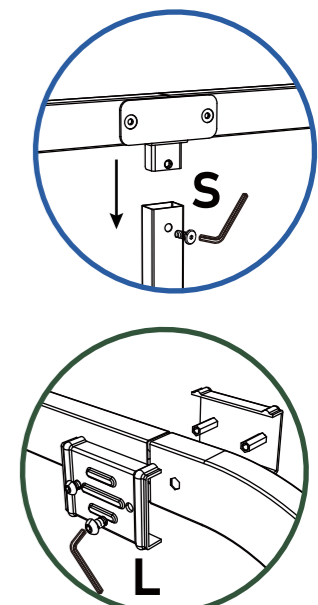
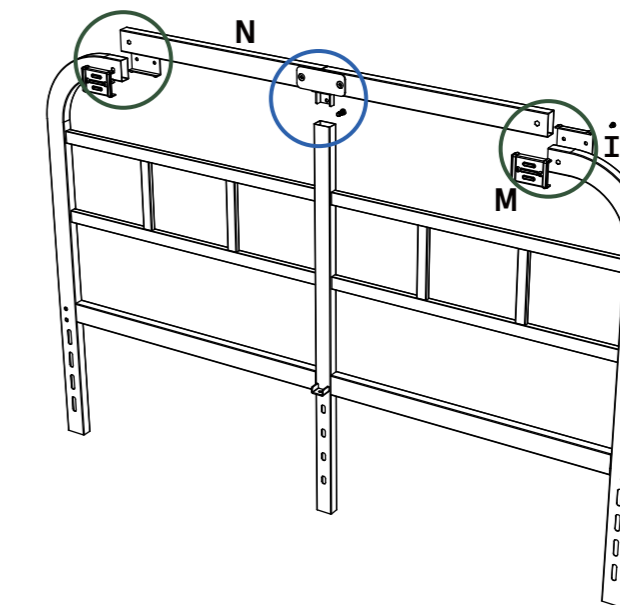
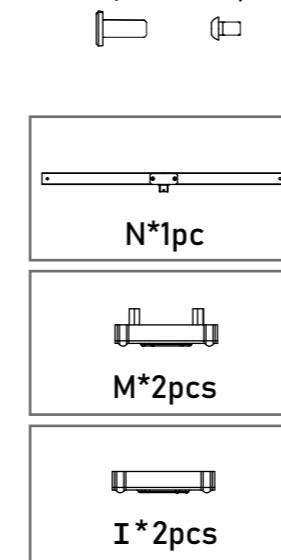
Step 1-2

Need L*8pcs(M6*10)



Step 1-3

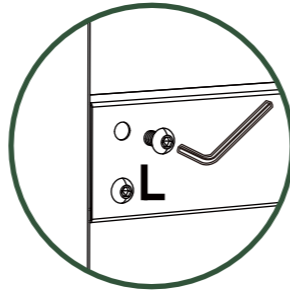
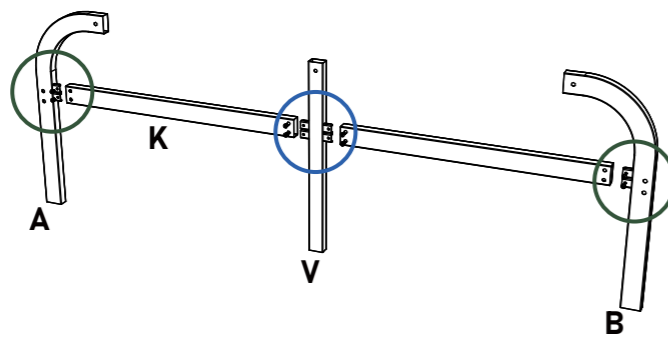
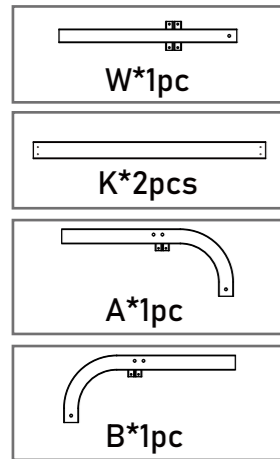
Need S*1pc(M8*20) L*4pcs(M6*10)



Please do not tighten the screws on headboard/Footboard until you finish all of assembly to bed frame, which will be helpful for your assembly.

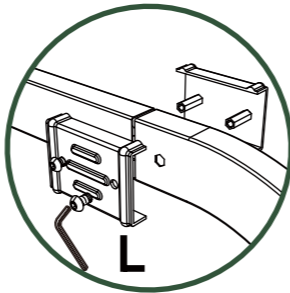
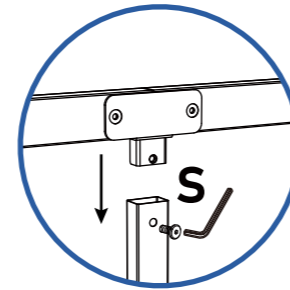
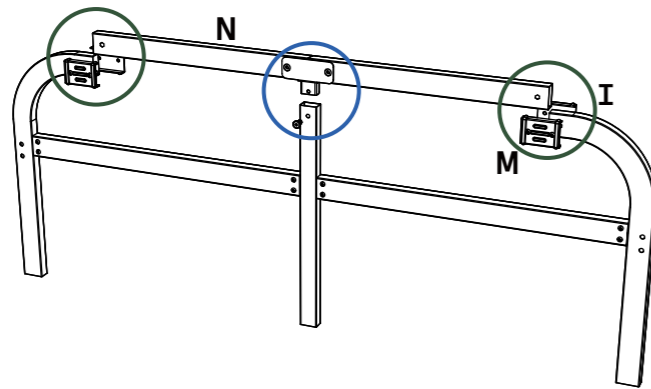
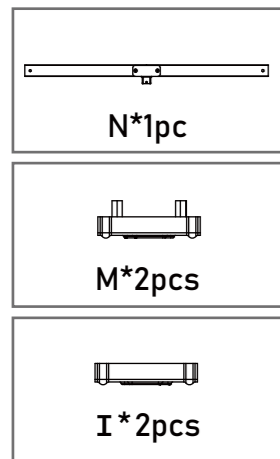
Step 2-1 (Assemble the Footboard)

Need L*8pcs(M6*10)



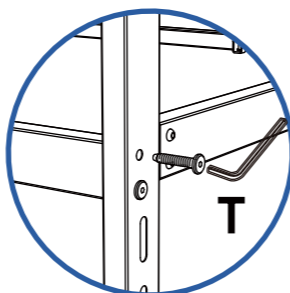
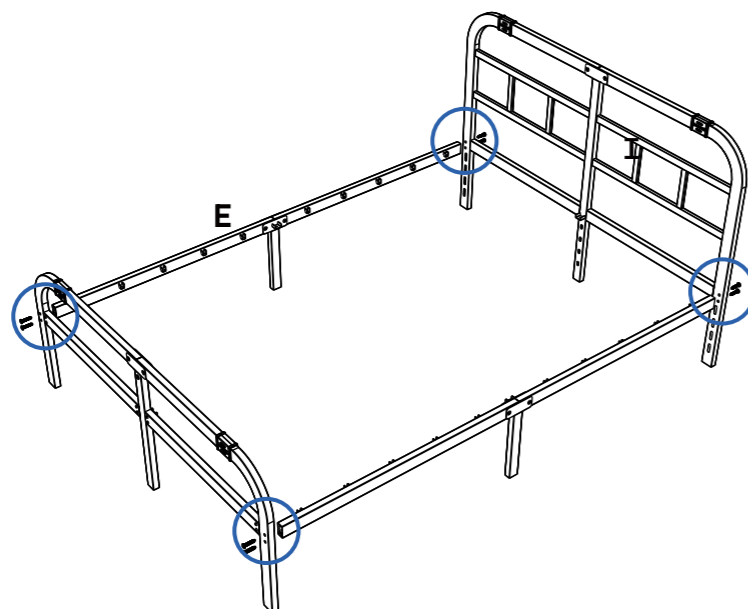
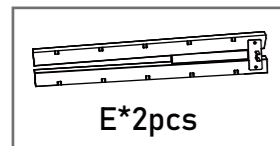
Step 2-2

Need S*1pc(M8*20) L*4pcs(M6*10)



Step 3 (Assemble the Body)

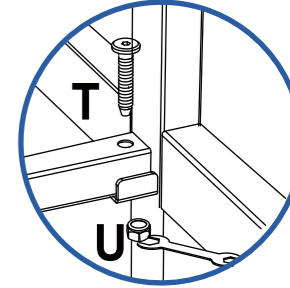
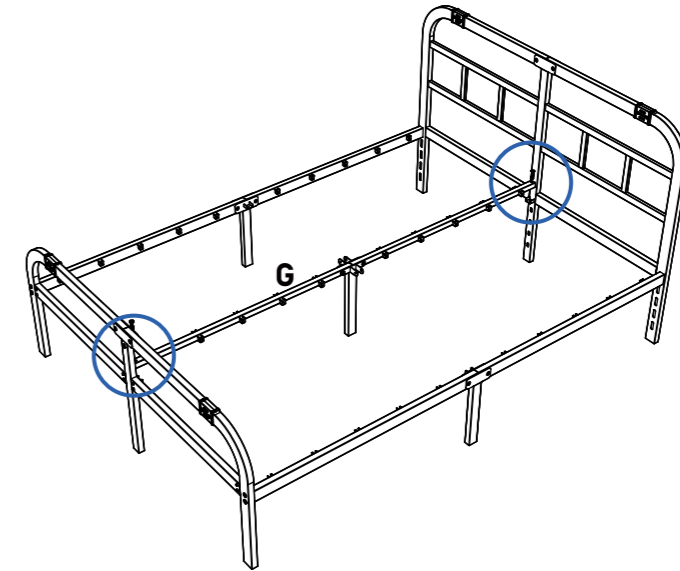
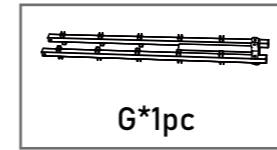
Need T*8pcs(M8*41)



2

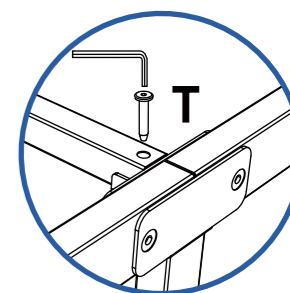
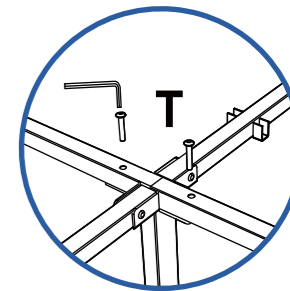
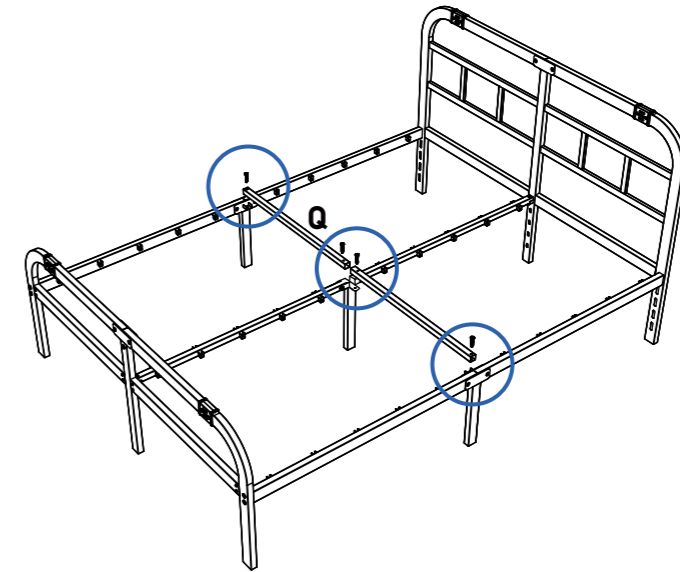
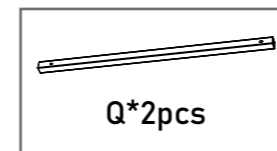
Step 4

Need T*2pcs(M8*41) U*2pc

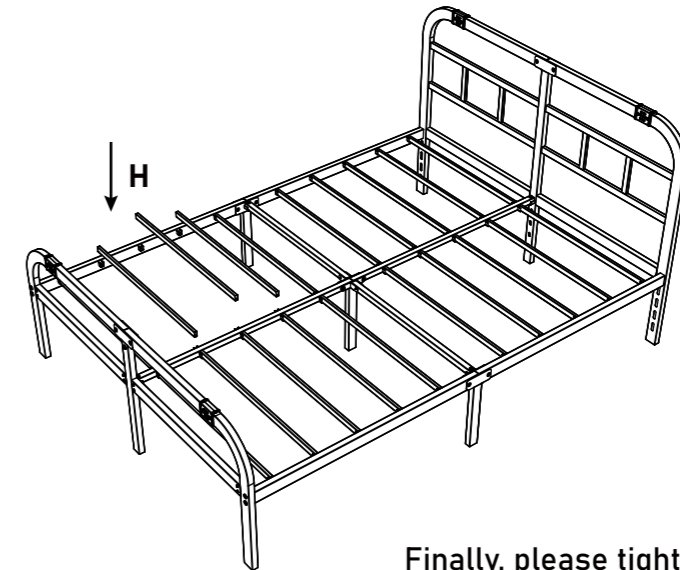
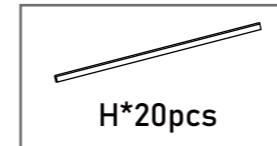


Step 5

Need T*4pcs(M8*41)



Step 6



Finally, please tighten all screws to prevent noise.

3