


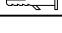
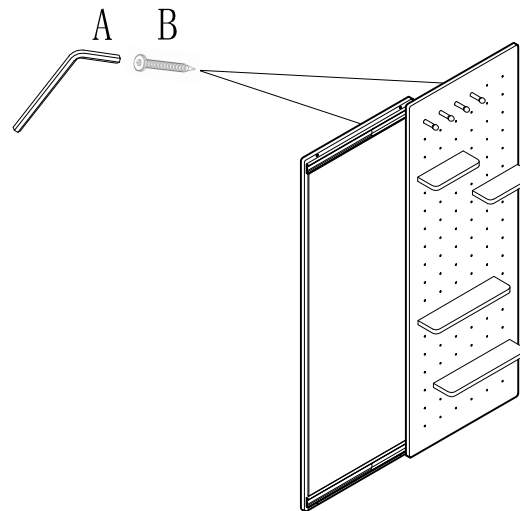


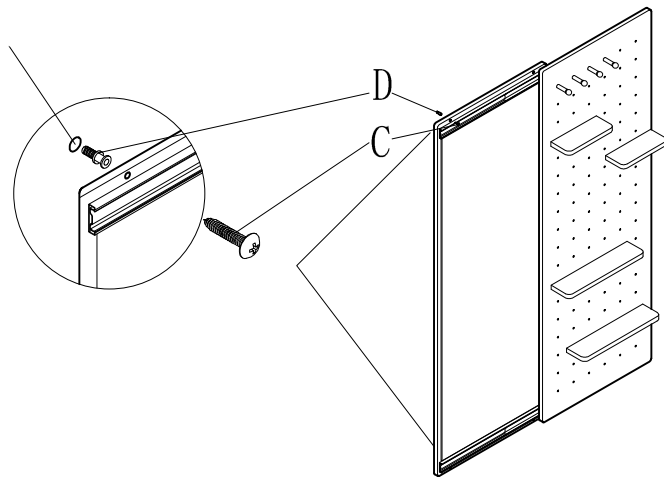
Installation Instructions for Sliding Mirror

Hardware accessories			
icon	No.	name	quantity
	A	Allen wrench	1
	B	head cap screw(5*35)	12+1
	C	wood screw umbrella head	4
	D	Plastic Expansion Tube	4

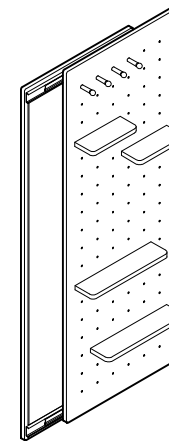


Step 1: Open the package, take out the mirror and stand it up against the wall (put cotton paper on the floor). Then assemble the partitions and hanging rods (free to assemble to the ideal position).

Wall drilling



Step 2: Measure the distance between the top and bottom holes of the mirror backboard with a tape measure. Then use an 8mm drill bit (bring your own) to drill holes in the wall and install the expansion tube.



Step 3: Two person help to hang the mirror to the four expansion screws, the installation is complete.

Product Instruction Manual

Welcome to buy our home products, before use, please read this instruction carefully and keep it for future reference.

(i) Overview

1, The enterprise production of various types of wooden furniture is mainly suitable for indoor bedroom, dining room, living room, study and other places, but also applicable to institutions, enterprises and institutions of the office, meeting rooms, hotels and other places, but should not be outdoor open-air use. The main raw and auxiliary materials, processing technology, quality performance and harmful substances of the products meet the standard requirements

2, This product implements the standard Q/1721RFGYP001-2022.

(ii) Product introduction

Product Series: Mirrors

Executive standard: Q/1721RFGYP001-2022

Quality grade: Qualified products

Outside dimensions: see outside dimensions

(iii) Description of materials

The main material used for the product is: rubber wood,

Origin: Thailand

(iv) Comparison of standards for limits of harmful substances

inspect	Technical Requirements	European E0 standard	Test results	Single decision
formaldehyde emissions	≤ 1.5mg/l	≤ 0.5mg/l	0.1	qualified

(v) Handling, loading, unloading, transportation, storage and unpacking inspection:

1. Place flat gently during handling.

2, prohibit brutal loading and unloading, the product should be placed flat, not foot on.

3, transportation should be rain, moisture, bumps and leaps,

there are lenses, glass packaging, cartons have obvious signs, in the shipment should be placed on top.

4, When storage, should be added pallets off the ground to prevent moisture, the warehouse should be ventilated and dry.

5, Open the box with a razor blade will be cut around the tape, do not hurt the surface of the furniture.

6, When opening the box to check the box packaging has no damage, after opening the box to check whether the parts in the package is scattered, lenses, glass is broken.

(vi) Installation of furniture

Users to buy furniture, disassemble the product first carefully read the installation instructions

(vii) Troubleshooting and analysis

Failure phenomenon	Analysis of causes	Methods of elimination
Shaking instability	Loose fastener hardware	Tighten all connection screws

(viii) Methods and precautions for the use of furniture:

1, Before the use of furniture to maintain 15 days ~ 20 days open, appropriate to maintain air circulation, in order to eliminate the residual odor in the furniture surface coating.

2, Spray paint products are not placed on the surface of the hot utensils, if you want to place a cup of boiling water, it is best to add a coaster at the bottom of the cup, so as not to burn the countertop because of the high temperature, resulting in its local deformation.

3, Should avoid sunlight for a long time to irradiate the furniture, so as not to cause local discoloration or fading.

4, furniture doors and drawers should be opened with appropriate force, it is strictly prohibited to open and close violently, resulting in loosening of the structure.

(ix) Maintenance of furniture:

1, Daily maintenance, should use a clean soft cloth wipe the surface dust, do not use a wet cloth, hard objects to wipe the surface, avoid contact with acid, alkaline chemicals and so on.

2, Should be appropriate to maintain the indoor temperature and humidity, such as planting flowers and plants, so as not to cause shrinkage and cracking and deformation of furniture components.

(J) the inevitable problems of solid wood furniture

The company's products are solid wood products, so there are some current world furniture production technology can not solve the problem, such as: color difference, wood grain size differences, brown eyes and polishing patterns left behind by the unevenness of the phenomenon, hope that the majority of users to know.