

ASSEMBLY INSTRUCTION

Thank you for purchasing this quality product. Be sure to check all packing material carefully for small parts which may have come loose inside the carton during shipment. Separate, identify and count all parts and hardware. Compare with the parts list to be sure all parts are present.

IMPORTANT : PLEASE READ INSTRUCTION BEFORE STARTING THE ASSEMBLY.

"DO NOT TIGHTEN SCREWS UNTIL COMPLETELY ASSEMBLED"

"DO NOT OVERTIGHT ANY HARDWARE"

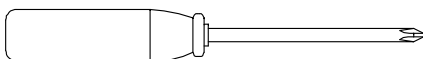
WARNING : SMALL PARTS AND HARDWARE NOT FOR CHILDREN UNDER 3 YEARS. ADULT ASSEMBLY REQUIRED.

TABLE OF CONTENTS

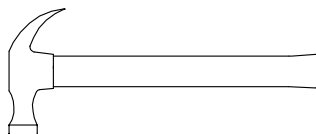
HARDWARES LIST	PAGE 2
PARTS LIST	PAGE 3 - 4
PARTS' LOCATION	PAGE 5
ASSEMBLY STEPS	PAGE 6 - 18
ASSEMBLY COMPLETED	PAGE 18

ASSEMBLY TOOLS REQUIRED

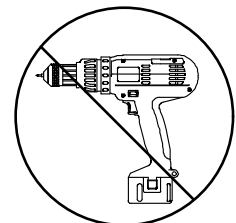
1. Screwdriver (not provide)







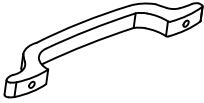
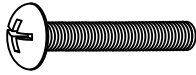
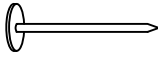
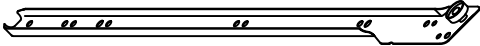
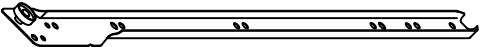

2. Hammer (not provide)



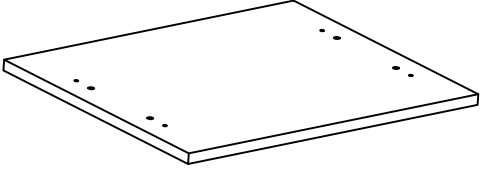
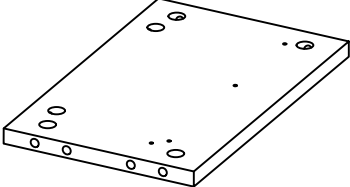
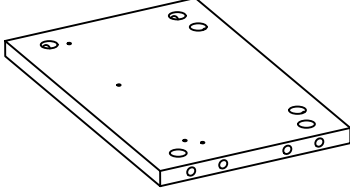
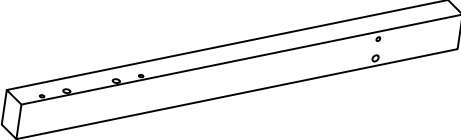
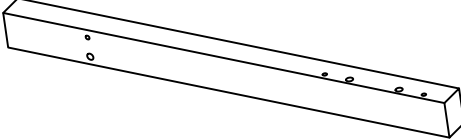

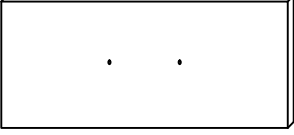
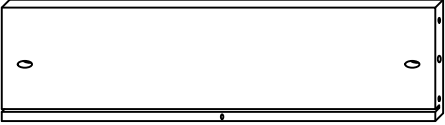

Skip the power trip this time.



HARDWARES LIST


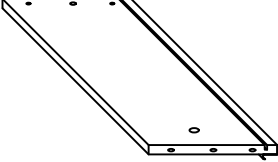
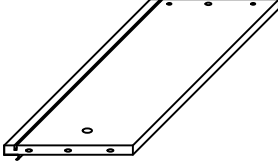
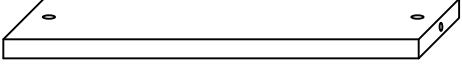
ITEM	DESCRIPTION	DRAWING	QTY
A	MINIFIX CAM LOCK		22 PCS
B	MINIFIX CAM BOLT		22 PCS
C	WOOD DOWEL (M8 x 25MM)		16 PCS
D	WOOD DOWEL (M6 x 25MM)		8 PCS
E	HANDLE		1 PC
F	TRUSS M-SCREW (18MM)		2 PCS
G	6/8" NAIL		8 PCS
M	LEFT DRAWER SLIDE		1 PC
N	RIGHT DRAWER SLIDE		1 PC
O	CSK SCREW M3 x 10mm		8 PCS

PARTS LIST

ITEM	DESCRIPTION	DRAWING	QTY
N1	TOP PANEL		1 PC
N2	LEFT PANEL		1 PC
N3	RIGHT PANEL		1 PC
N4	LEG (i)		2 PCS
N5	LEG (ii)		2 PCS
N6	FIX SHELF PANEL		1 PC
N7	DRAWER HEAD		1 PC
N8	DRAWER BACK PANEL		1 PC
N9	DRAWER BOTTOM PANEL		1 PC

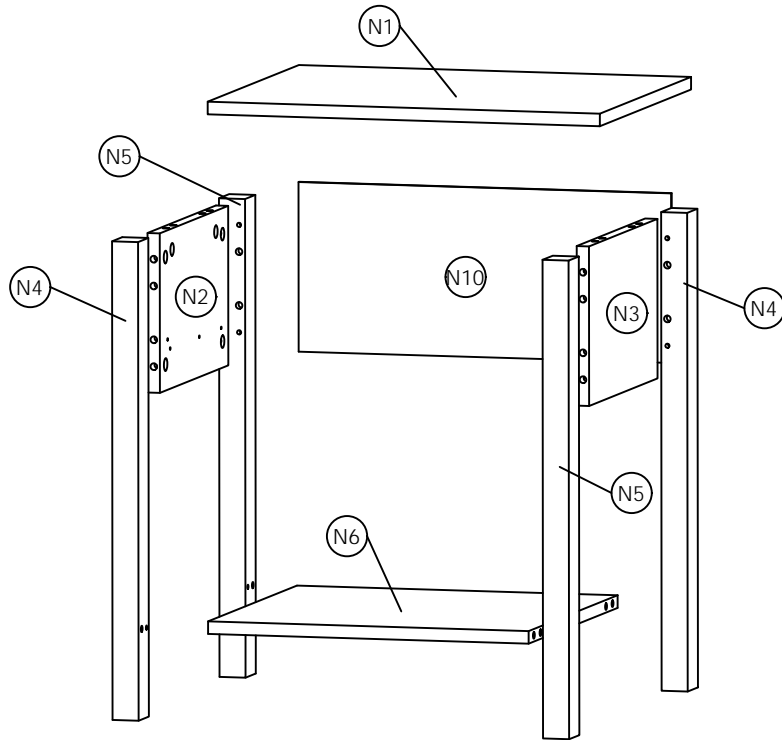
MORE PARTS DETAIL IN NEXT PAGE...

PARTS LIST

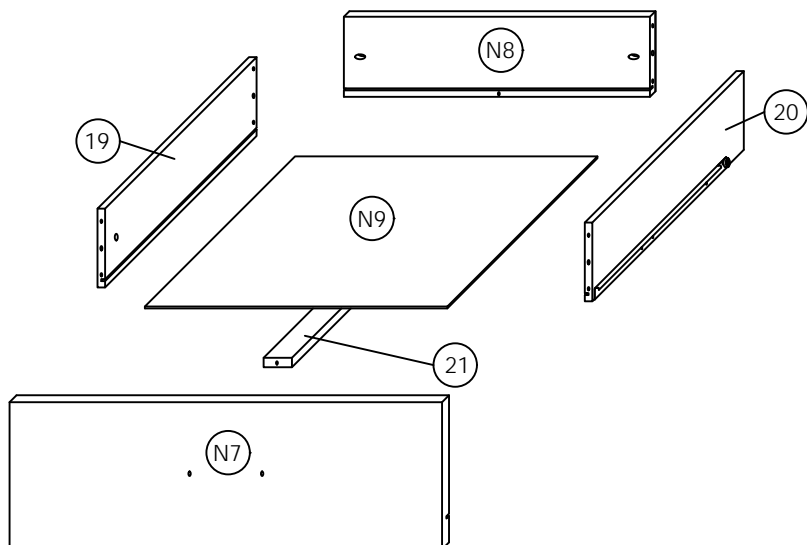
ITEM	DESCRIPTION	DRAWING	QTY
N10	BACK PANEL		1 PC
19	DRAWER LEFT PANEL		1 PC
20	DRAWER RIGHT PANEL		1 PC
21	DRAWER BOTTOM SUPPORT RAIL		1 PC

PARTS ' LOCATION

NIGHTSTAND x 1 PC



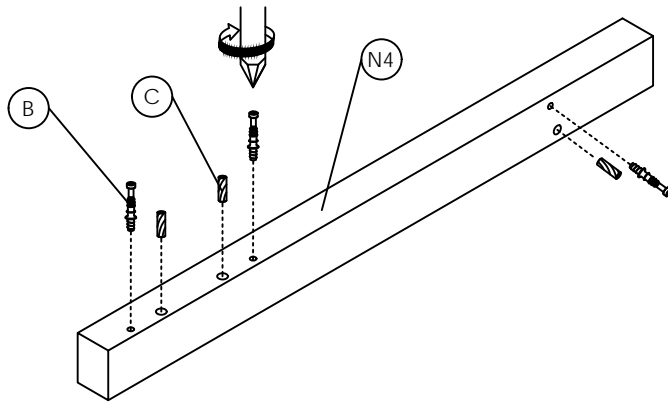
DRAWER x 1 PC



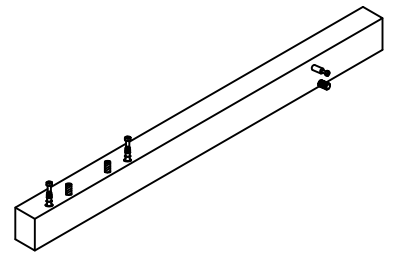
ASSEMBLY STEPS

STEP 1

Insert 3 pieces (B) and (C) to the (N4) as shown. This step needs to be **done two times**.

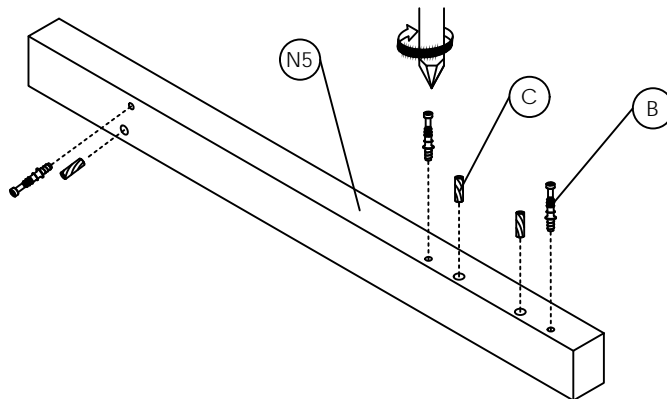


Assembled looks

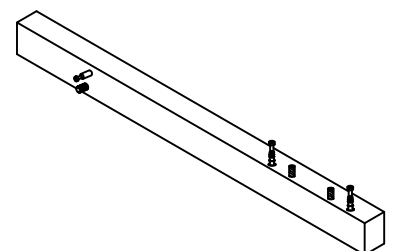


STEP 2

Insert 3 pieces (B) and (C) to the (N5) as shown. This step needs to be **done two times**.

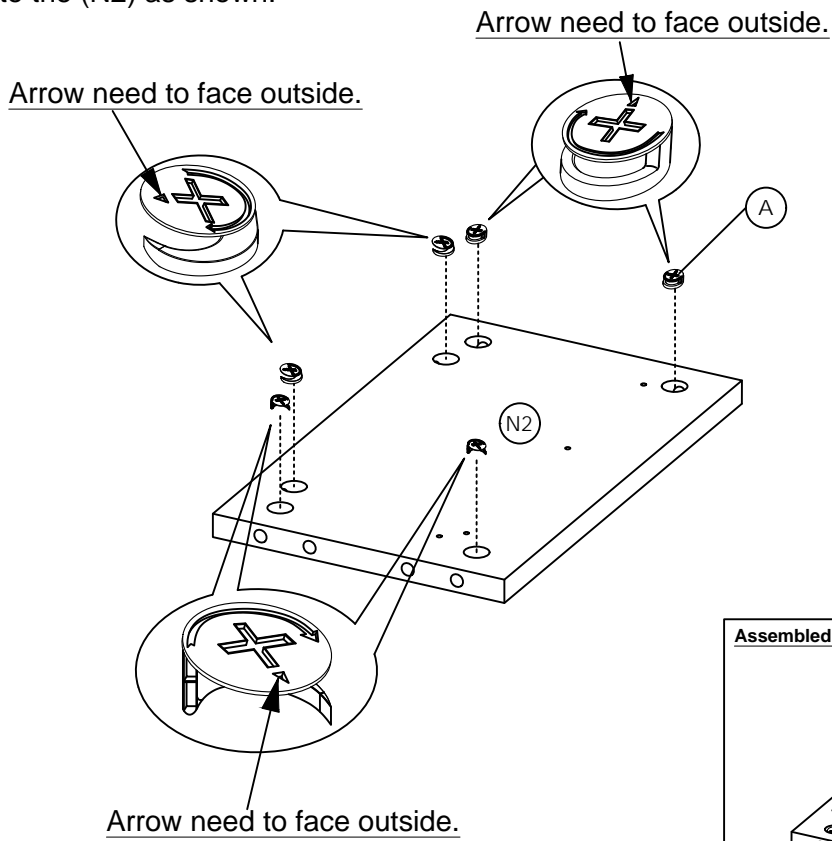


Assembled looks

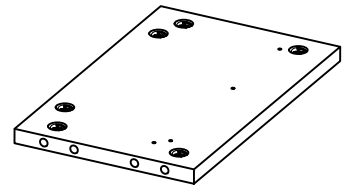


STEP 3

Insert 6 pieces (A) to the (N2) as shown.

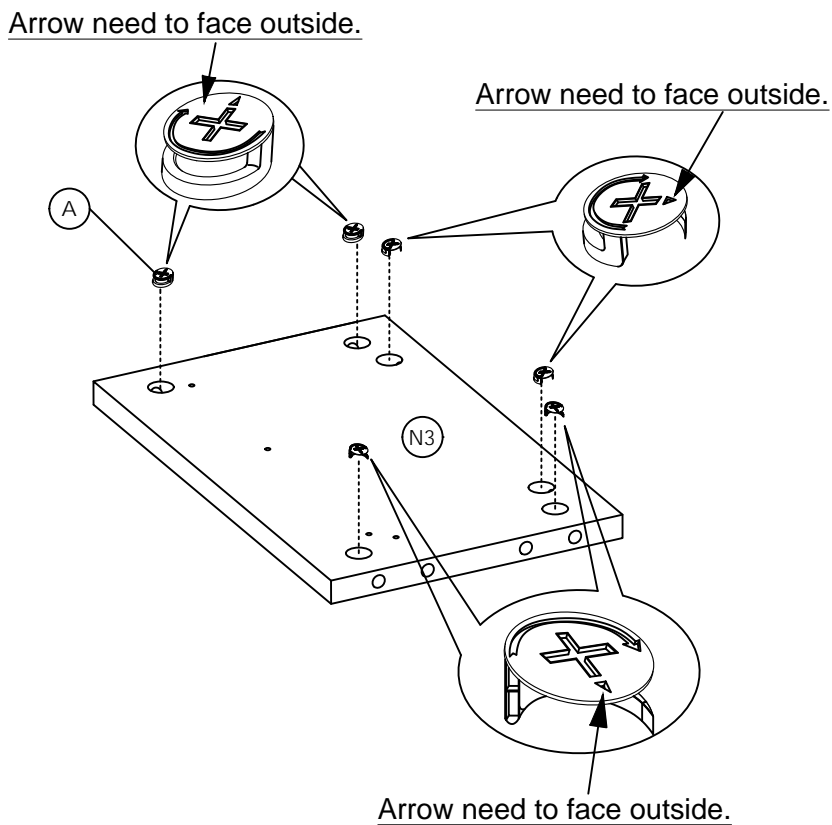


Assembled looks

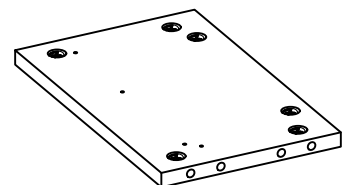


STEP 4

Insert 6 pieces (A) to the (N3) as shown.

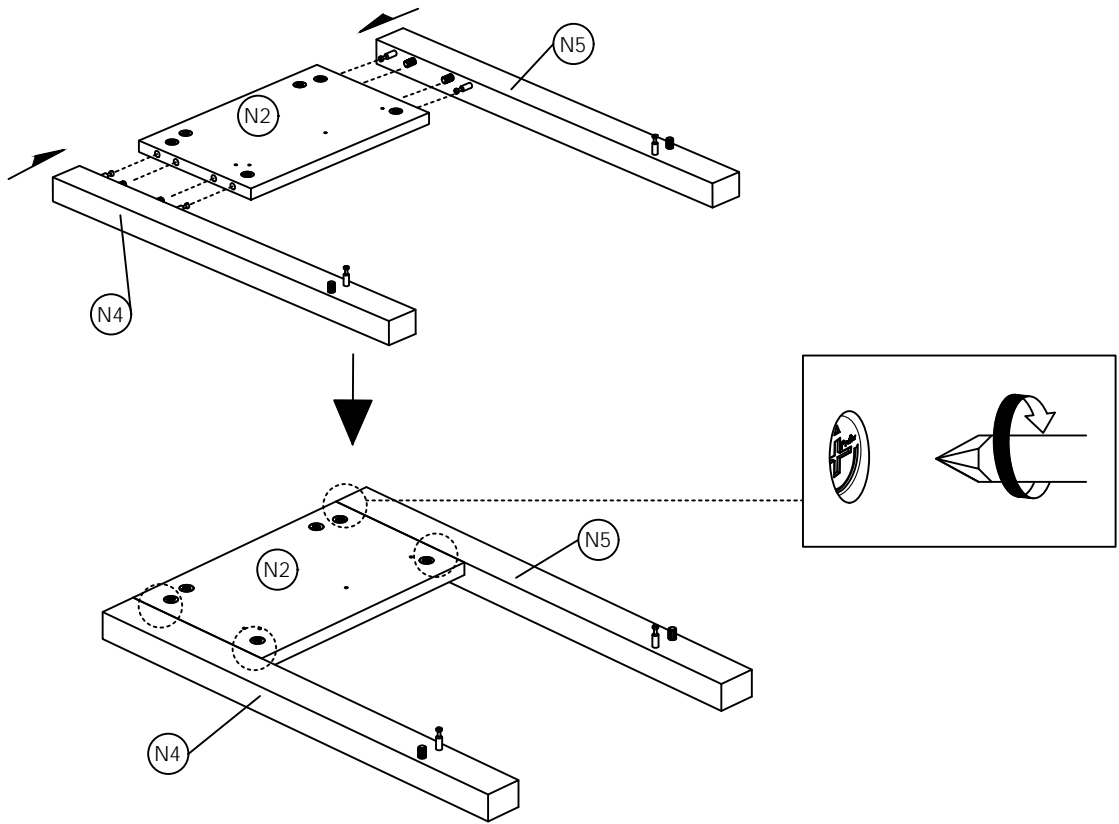


Assembled looks



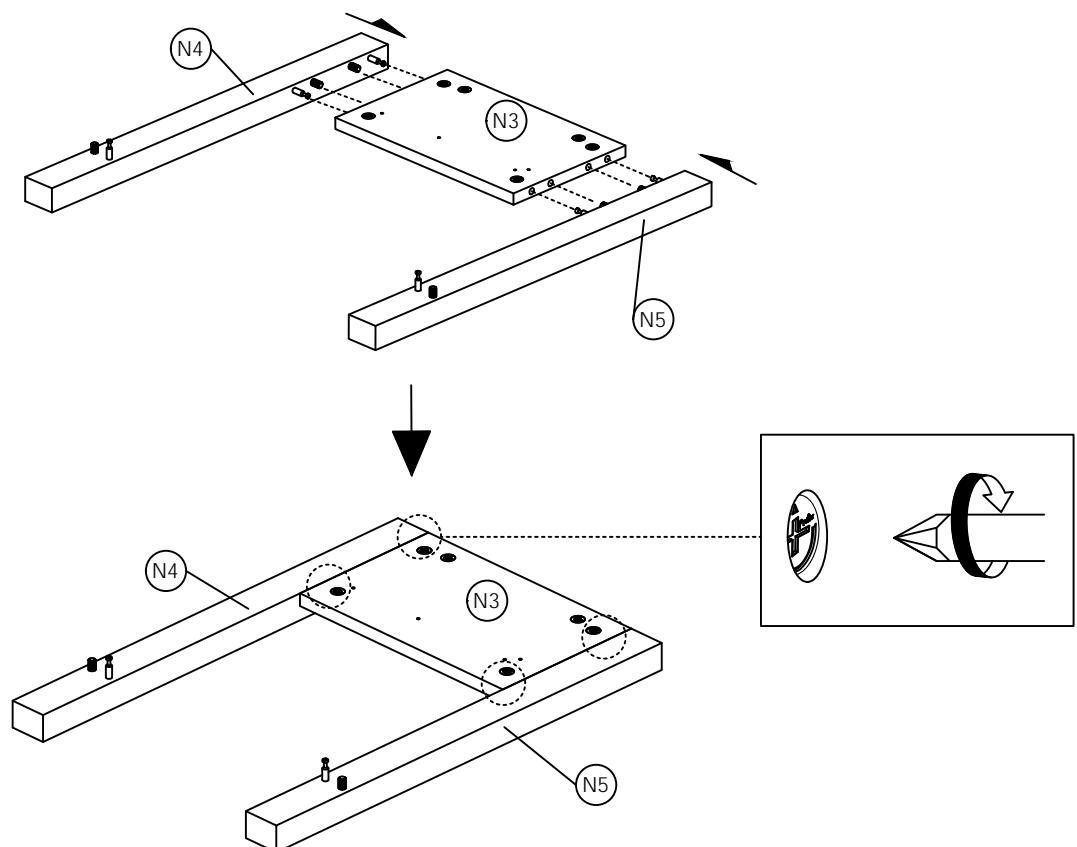
STEP 5

Combine the (N4) and (N5) to the (N2). Then tighten the 4 pieces (A)-(pre-insert in step 3) as shown.



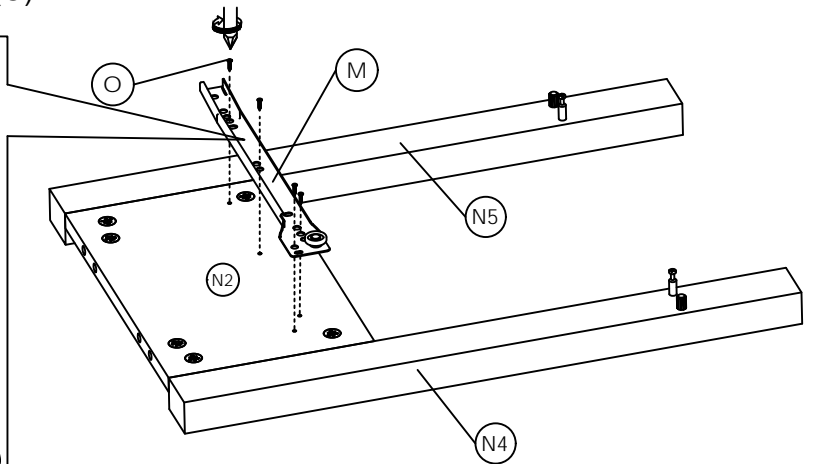
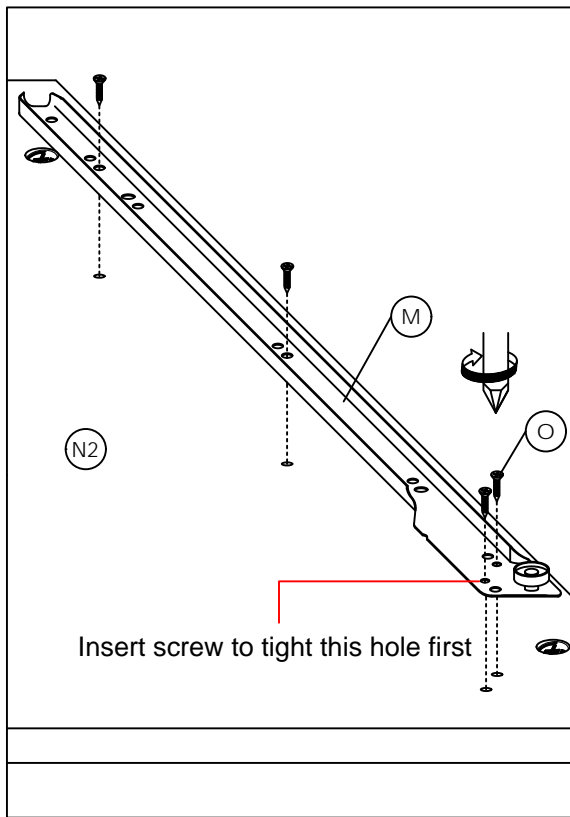
STEP 6

Combine the (N4) and (N5) to the (N3). Then tighten the 4 pieces (A)-(pre-insert in step 4) as shown.

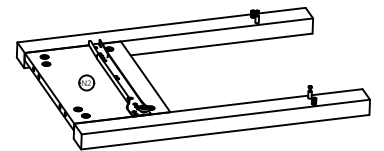


STEP 7

Fix 1 piece (M) to the (N2) by using 4 pieces (O).

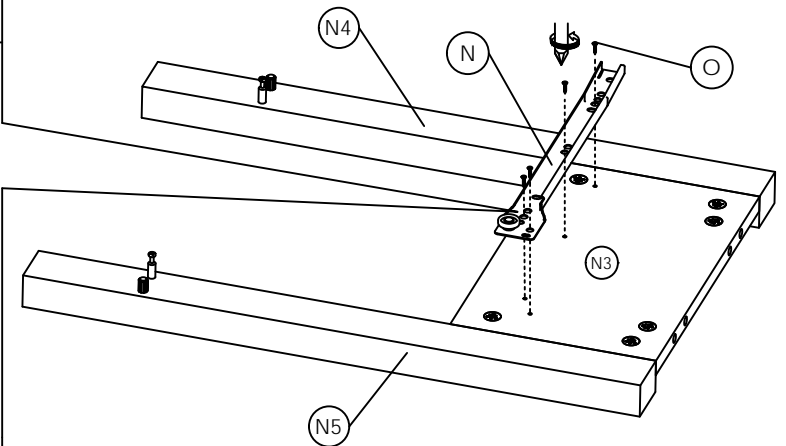
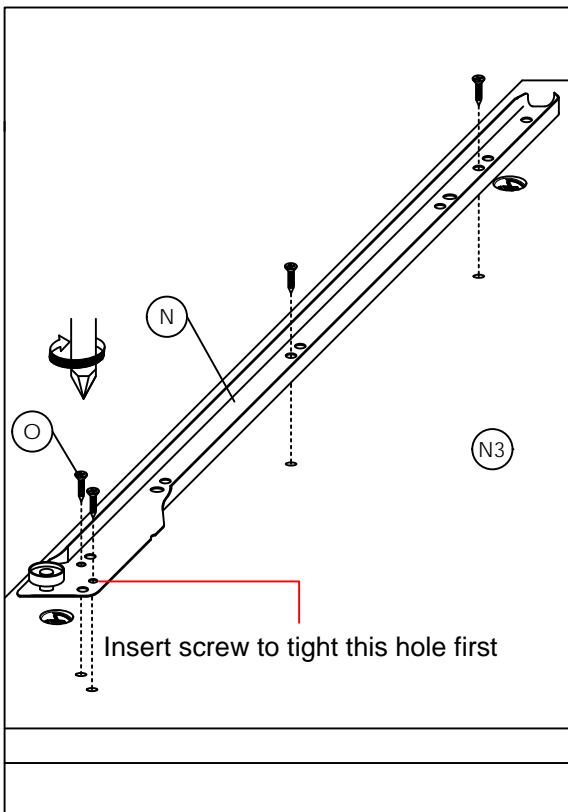


Assembled looks

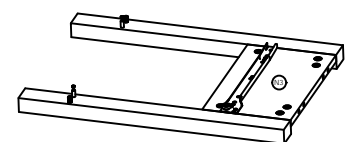


STEP 8

Fix 1 piece (N) to the (N3) by using 4 pieces (O).

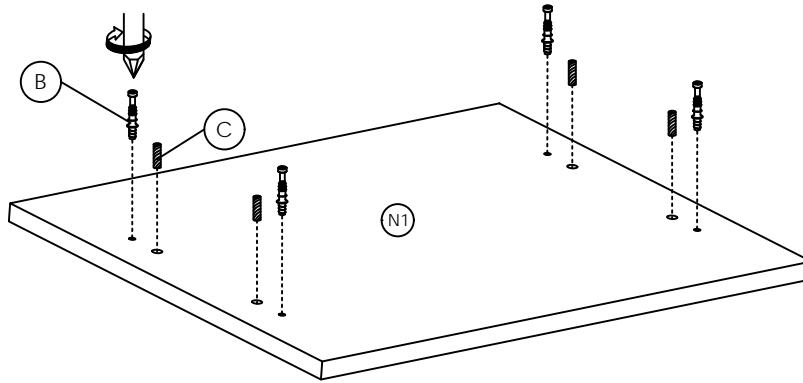


Assembled looks

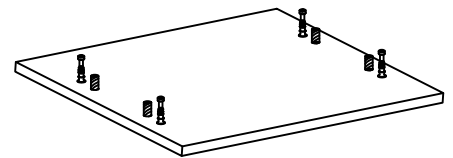


STEP 9

Insert 4 pieces (B) and (C) to the (N1) as shown.

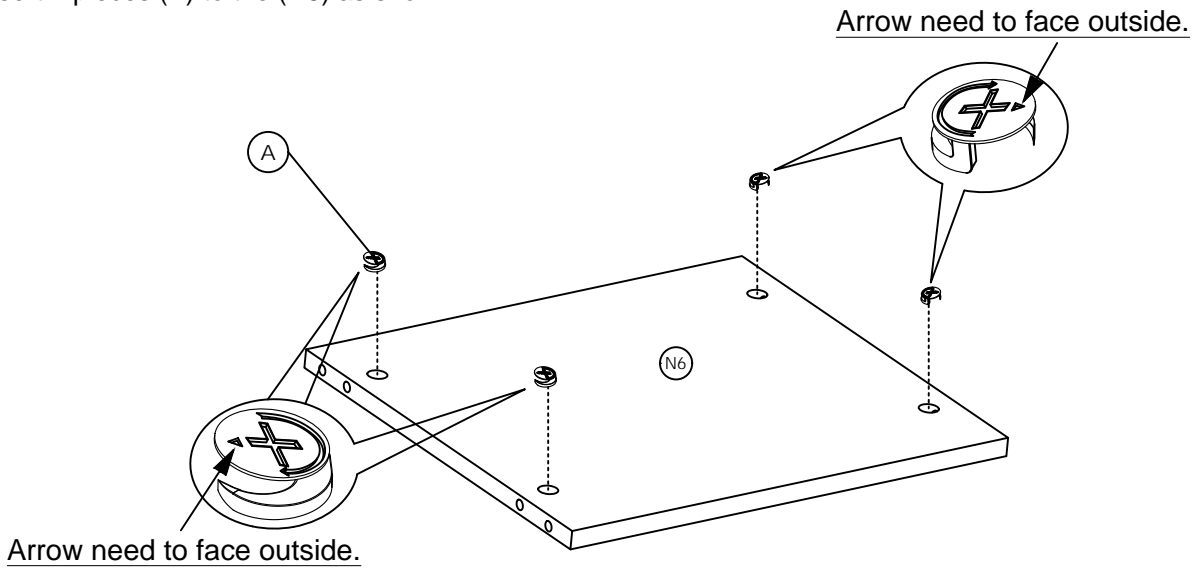


Assembled looks

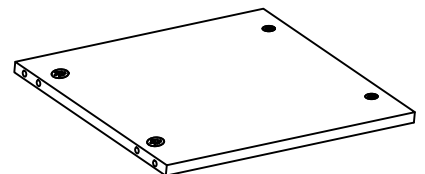


STEP 10

Insert 4 pieces (A) to the (N6) as shown.

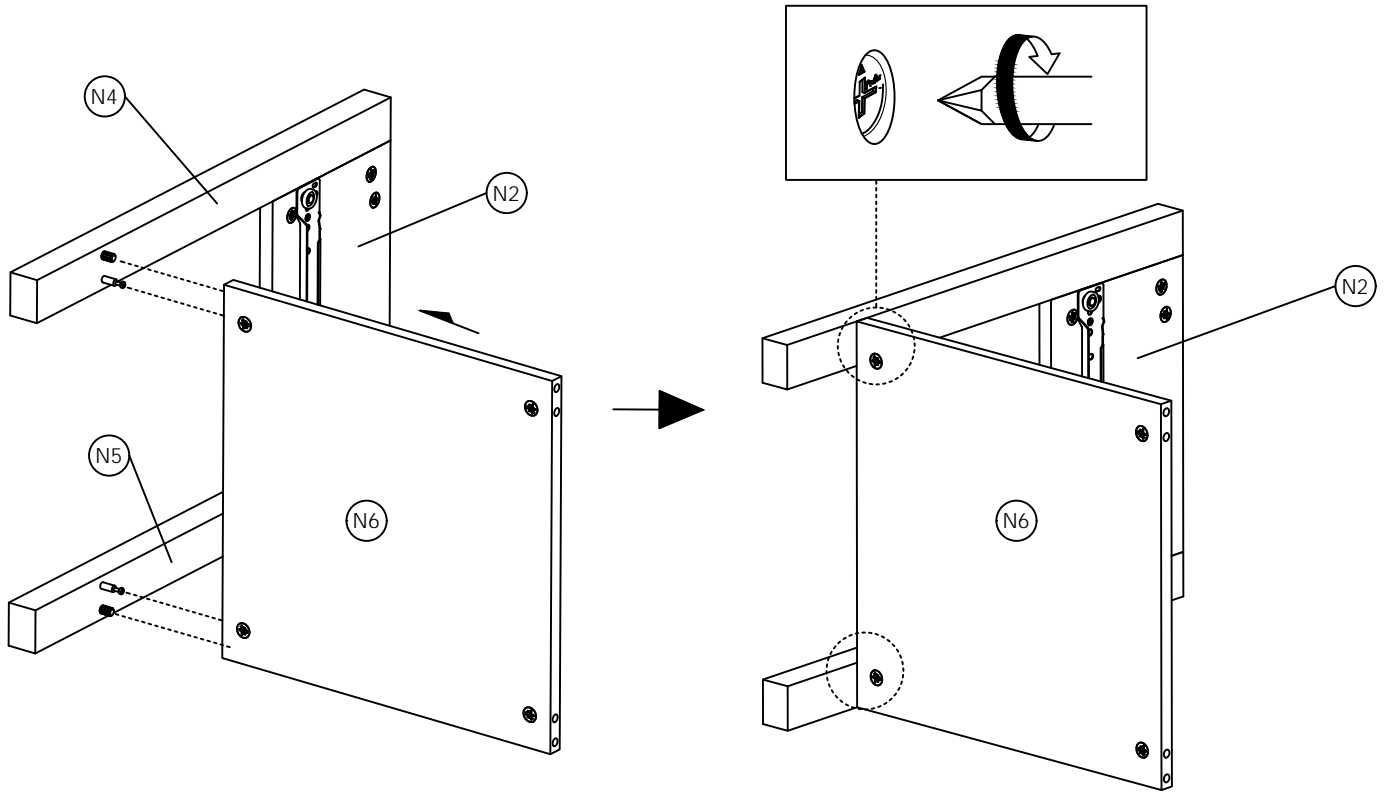


Assembled looks



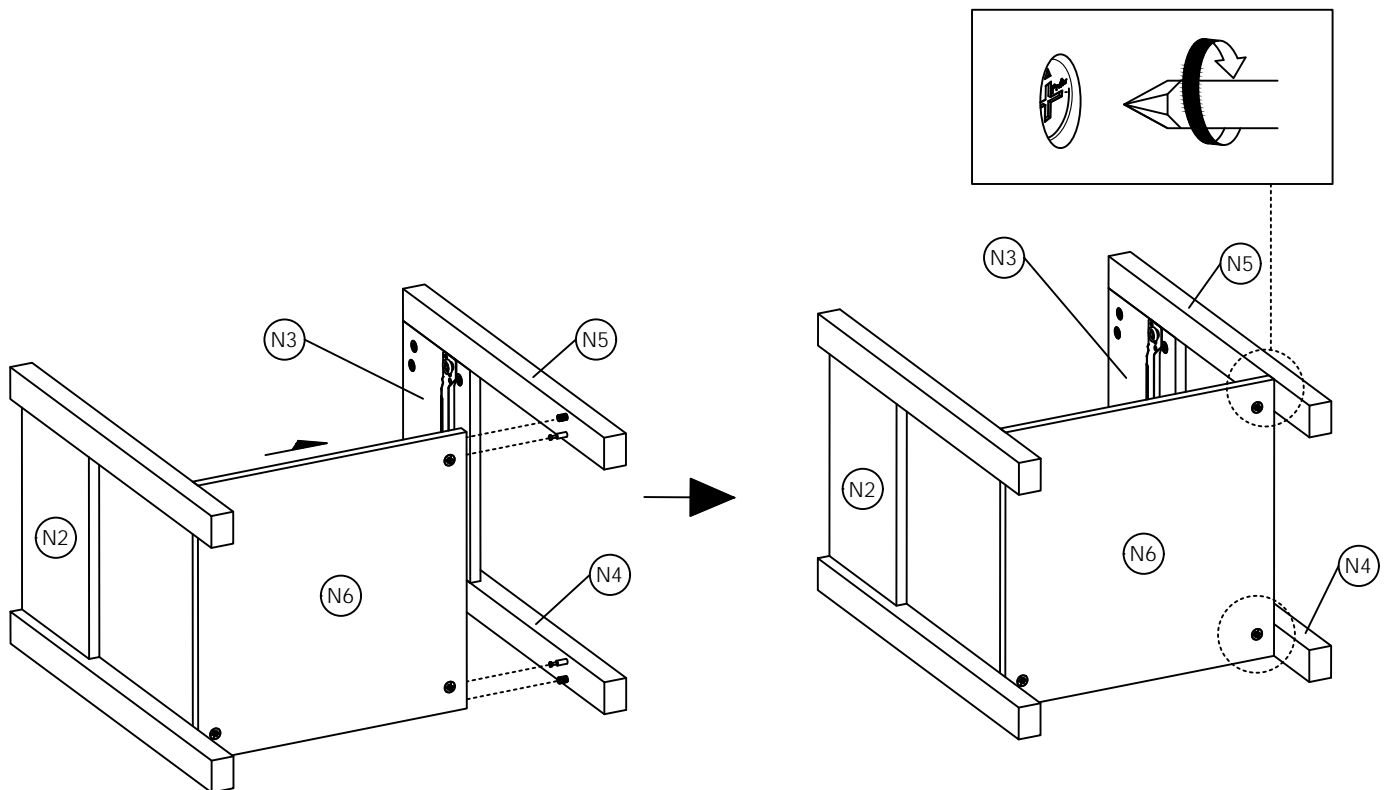
STEP 11

Combine the (N6) to the (N4) and (N5). Then tighten the 2 pieces (A)-(pre-insert in step 10) as shown.



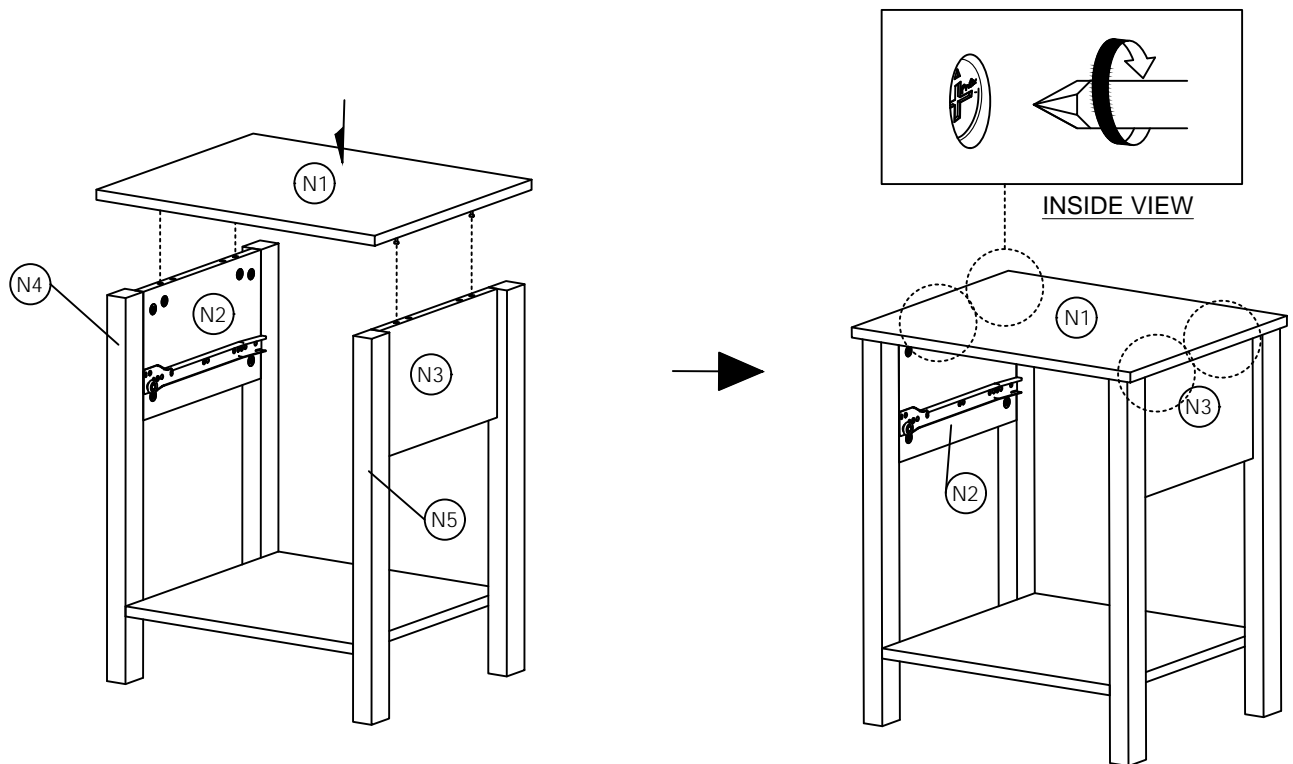
STEP 12

Combine the (N6) to the (N4) and (N5). Then tighten the 2 pieces (A)-(pre-insert in step 10) as shown.



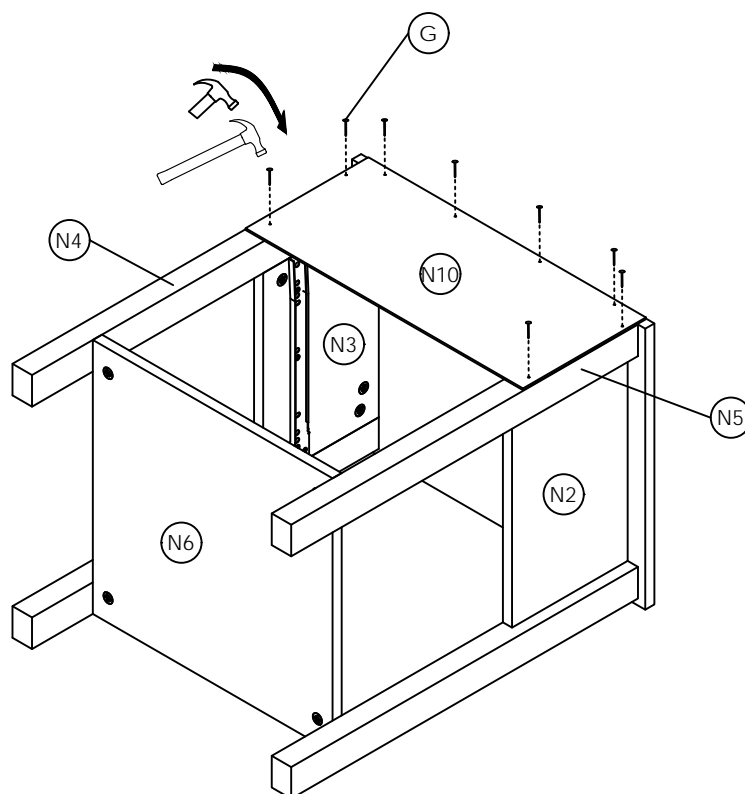
STEP 13

Combine the (N1) to the (N2) and (N3). Then tighten the 4 pieces (A)-(pre-insert in step 2, and 3) as shown.



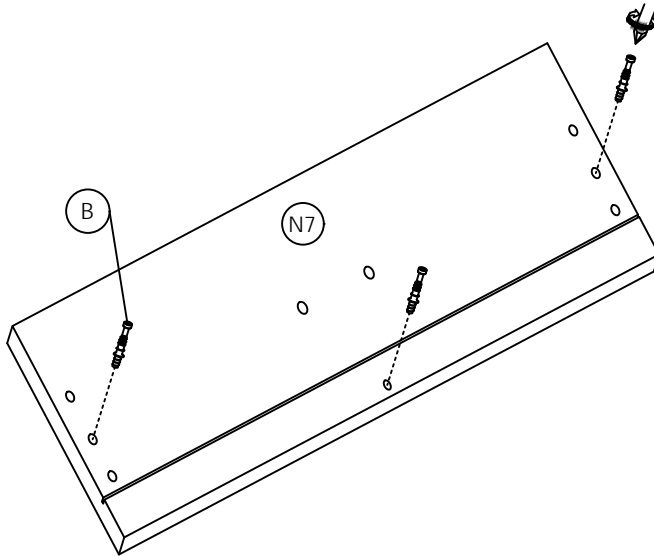
STEP 14

Insert all the 8 pieces (G) to fix the (N10) as shown.

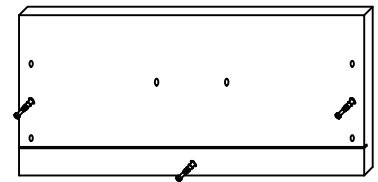


STEP 15

Insert 3 pieces (B) to the (N7) as shown.

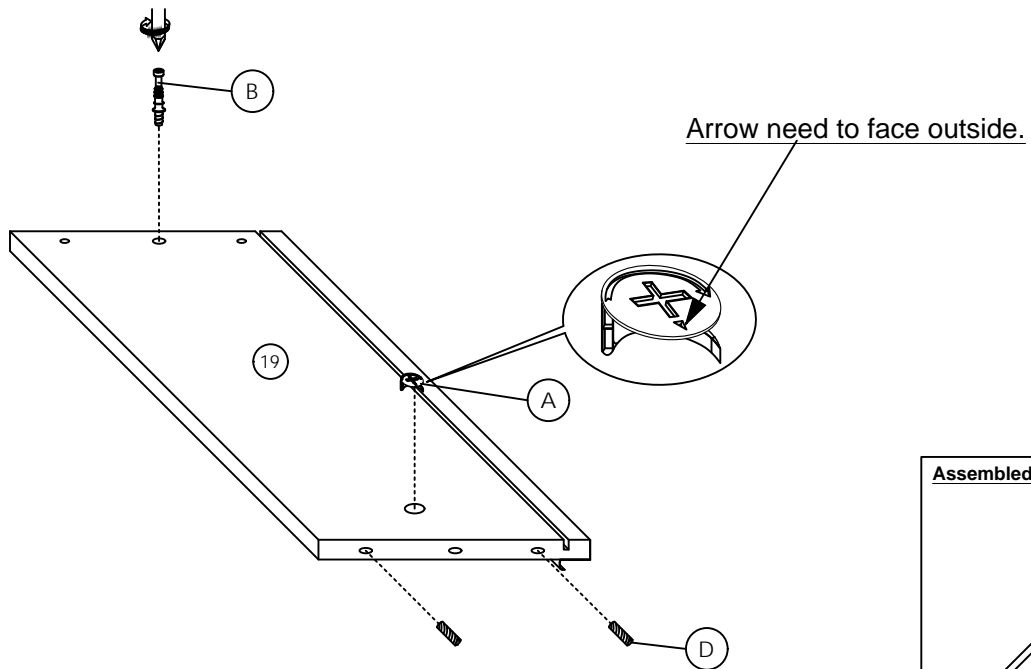


Assembled looks

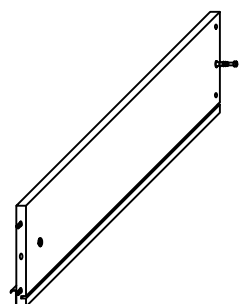


STEP 16

Insert 1 piece (A),(B) and 2 pieces (D) to (19) as shown.

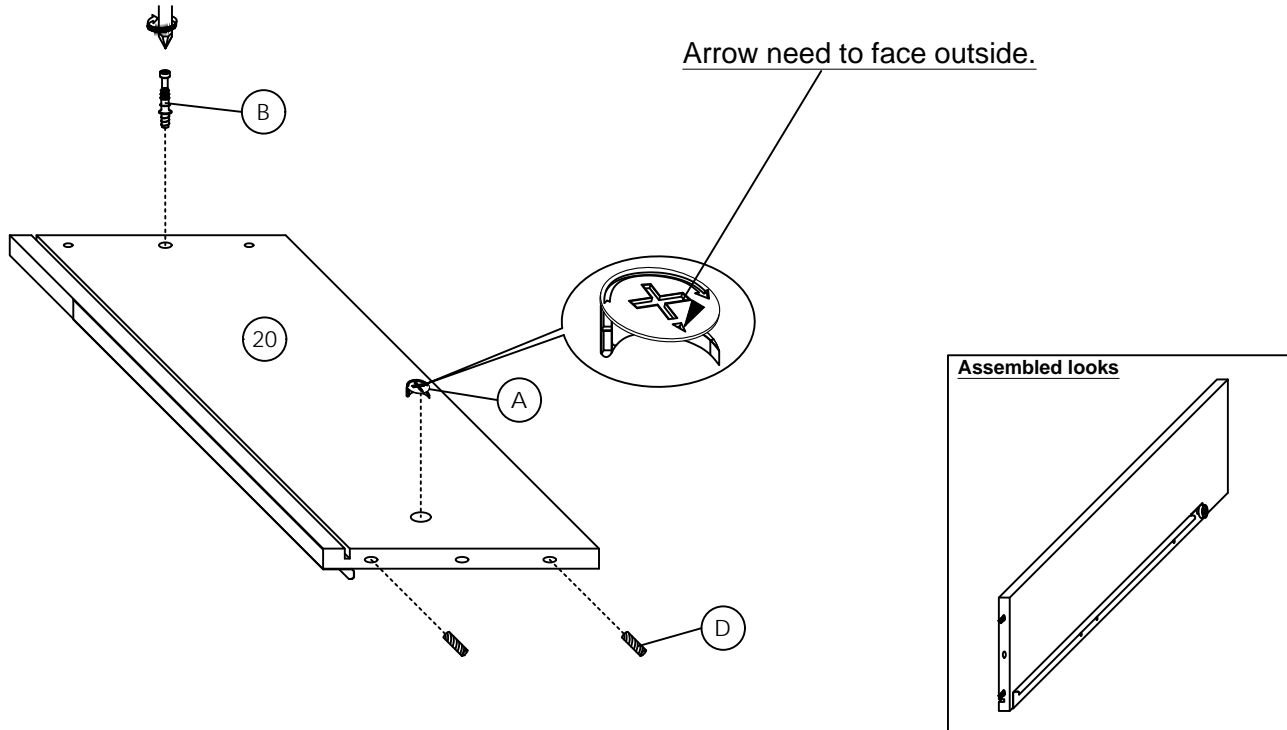


Assembled looks



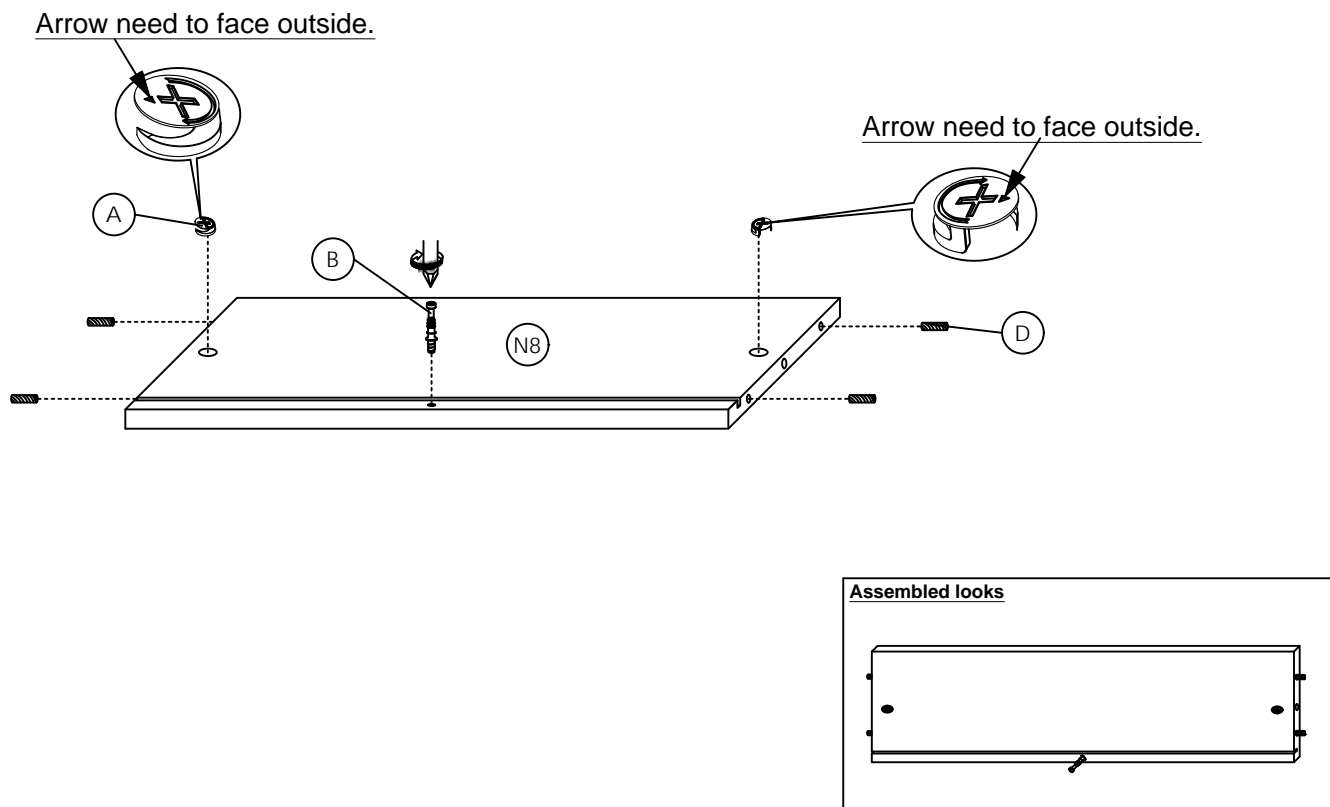
STEP 17

Insert 1 piece (A),(B) and 2 pieces (D) to (20) as shown.



STEP 18

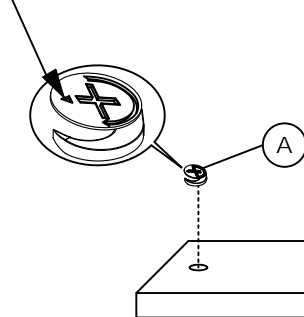
Insert 2 pieces (A) , 1 piece (B) and 4 pieces (D) to (N8) as shown.



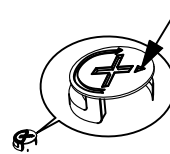
STEP 19

Insert 2 pieces (A) to (21) as shown.

Arrow need to face outside.



Arrow need to face outside.

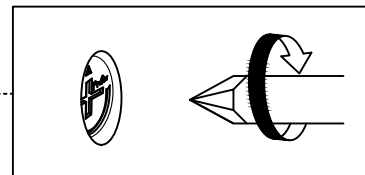
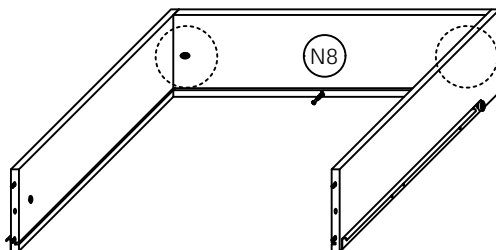
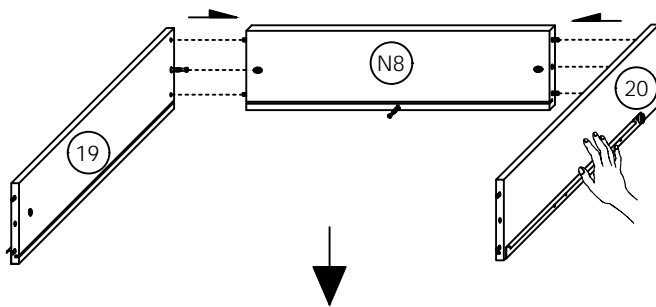


Assembled looks



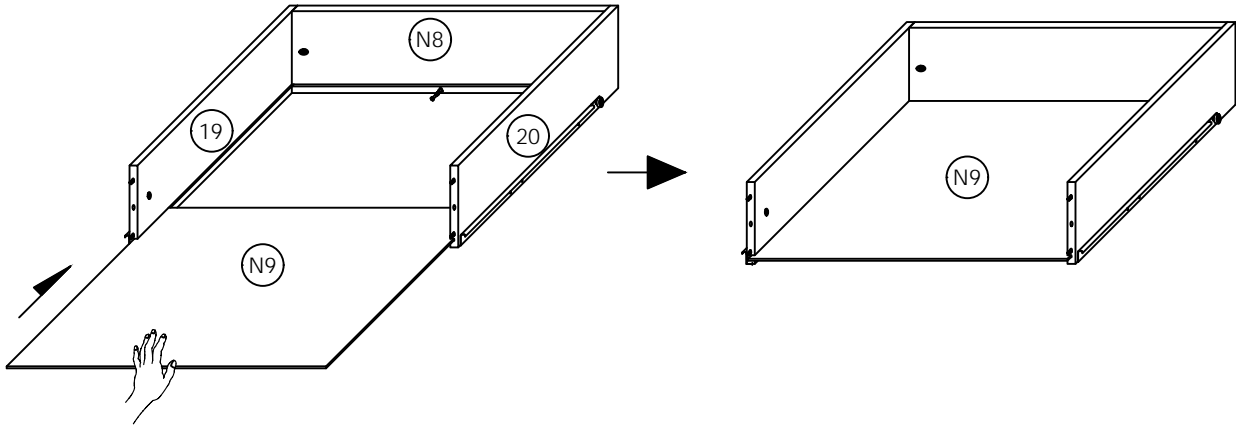
STEP 20

Combine the (19) and (20) to the (N8). Then tighten the 2 pieces (A)-(pre-insert in step 18) as shown.



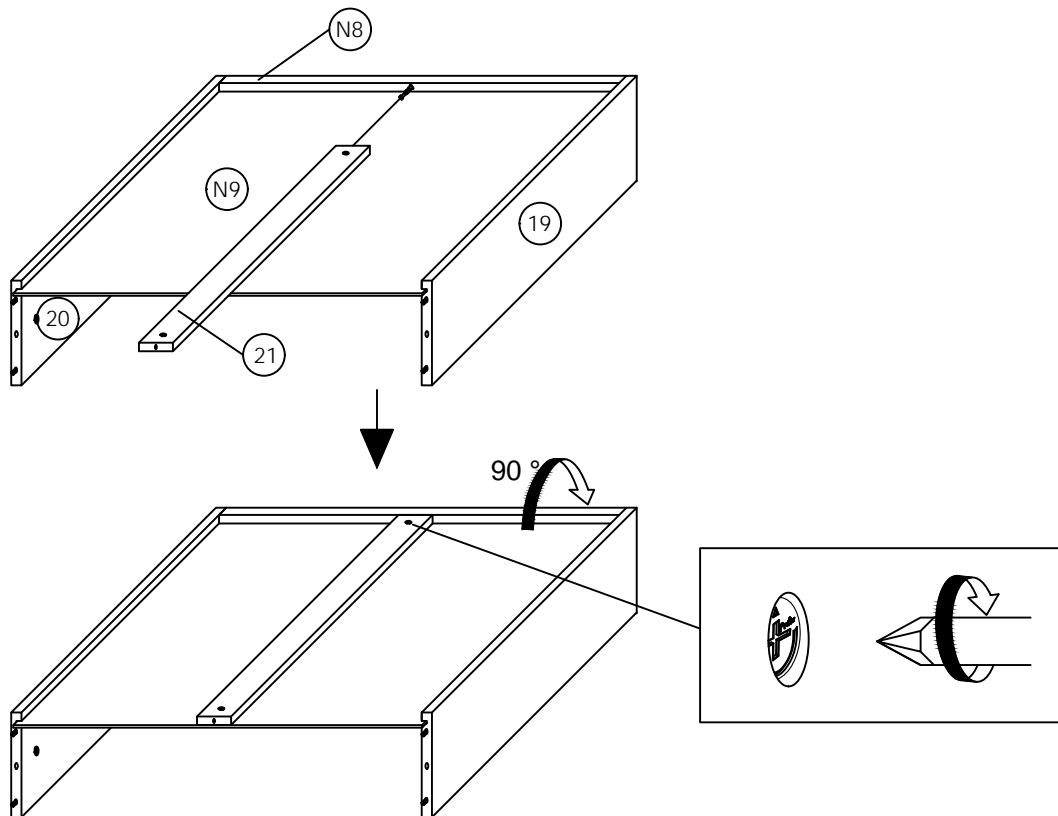
STEP 21

Put the (N9) into the gap of (19),(20) and (N8) as shown.



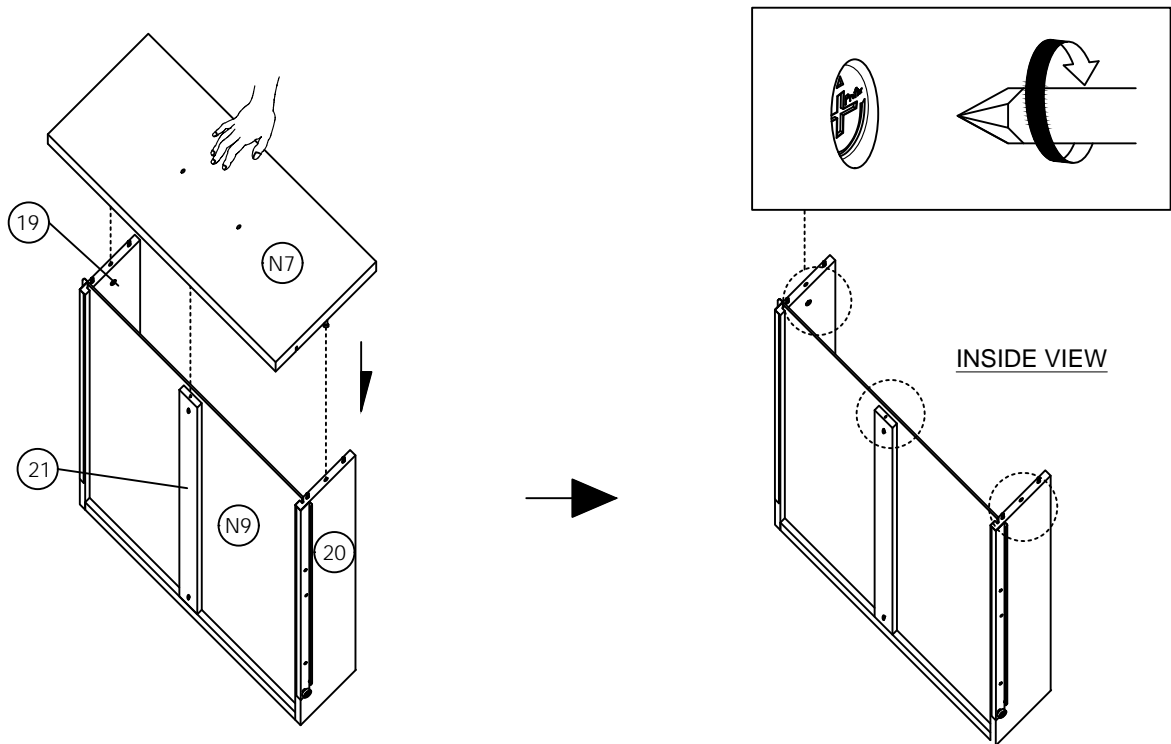
STEP 22

Combine the (21) to the (N8) then tighten the 1 piece (A)-(pre-insert in step 19) as shown.



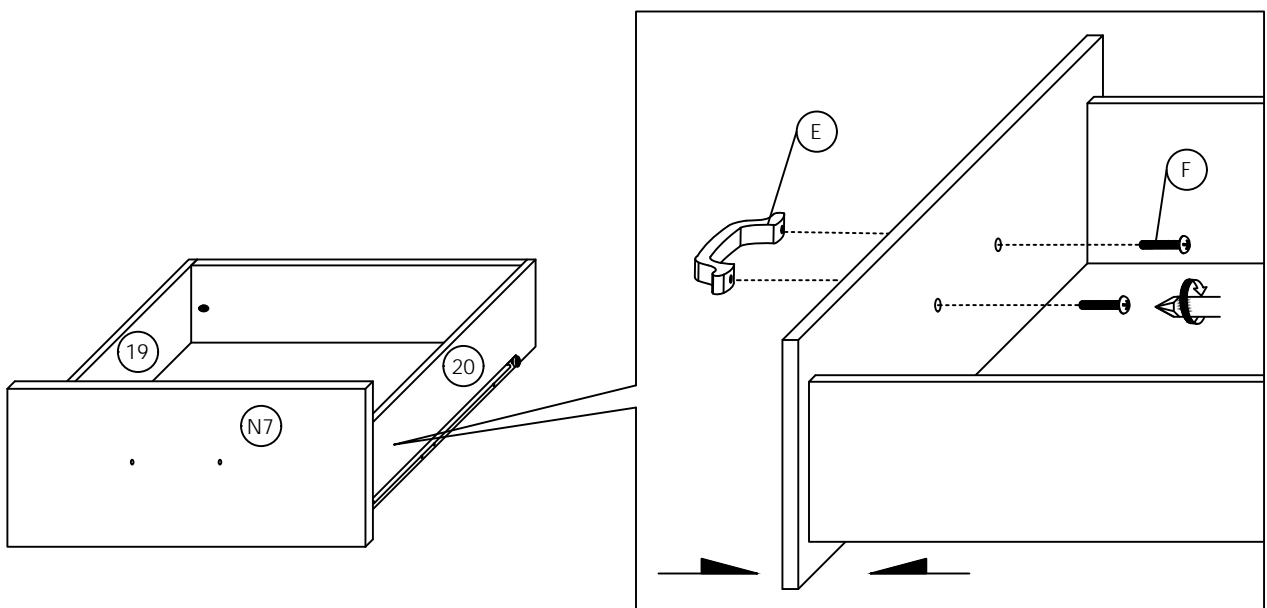
STEP 23

Combine the (N7) to the drawer frame. Then tighten the 3 pieces (A)-(pre-insert in step 16,17 and 19) as shown.



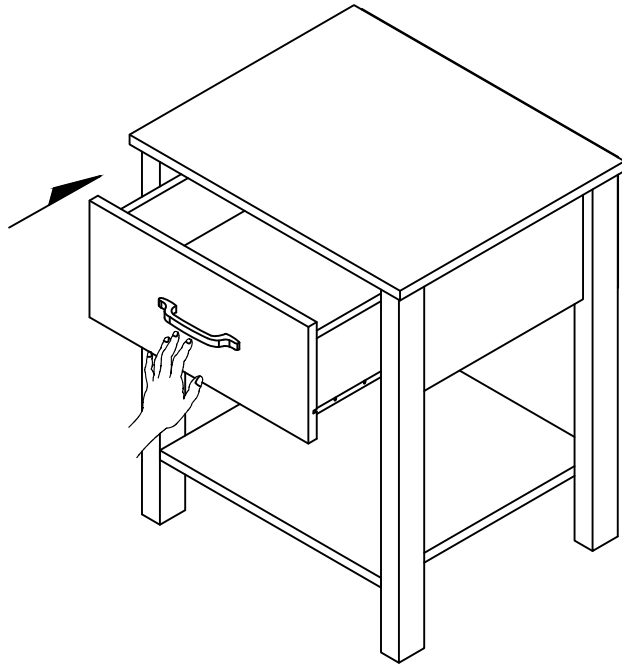
STEP 24

Insert 2 pieces (F) fix the (E) as shown.

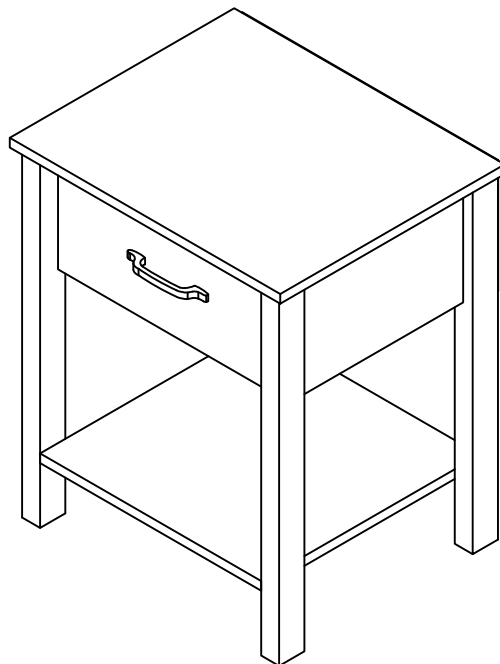


STEP 25

Align the position then push the drawer to inside exactly by your hand as shown.



STEP 26



ASSEMBLY COMPLETED