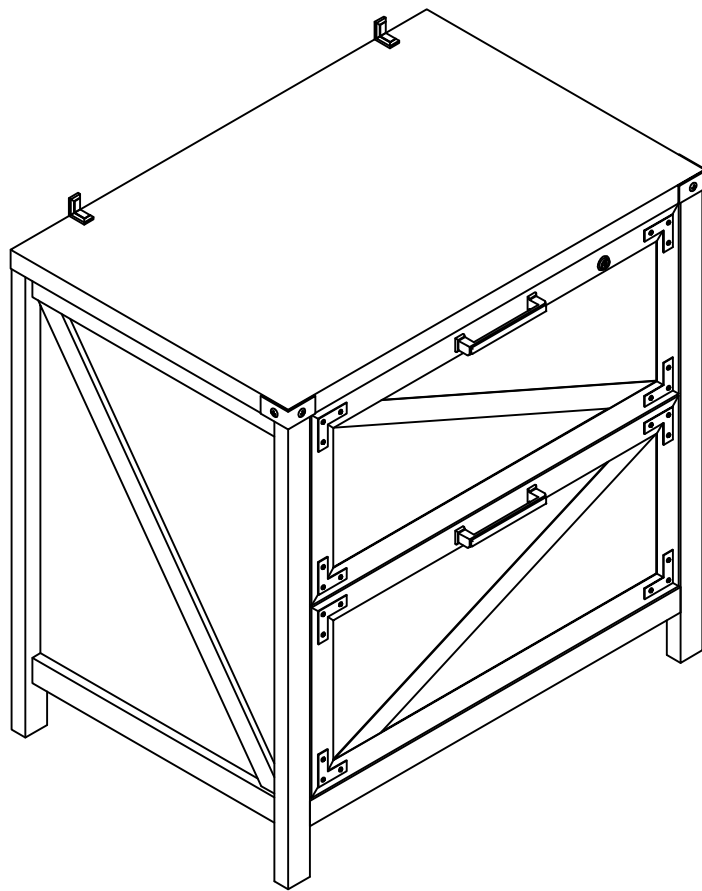


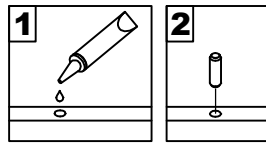
Assembly Instructions



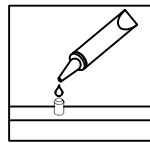
If you have any questions, please follow these steps(“Find Your Orders” – “Problem with the Order” – “Contact Seller”) to contact our customer service. Thanks!

General Assembly Guidelines

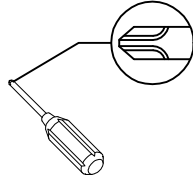
- I. Ensure that all parts and hardware are available before beginning assembly.
- II. Follow each step carefully to ensure the proper assembly of this product.
- III. Two people are recommended for ease in the assembly of this product.
- IV. The three main types of hardware used to assemble this product are : wood dowels , screws and bolts.
- V. The provided glue is to secure wood dowels in place . When first inserting dowels , locate the appropriate hole for the dowel , place a small amount of glue in the hole and insert the dowel . Wipe away excess glue immediately.



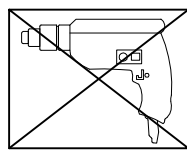
In future assembly steps when dowels are necessary to attach assembly parts together , place a small amount of glue on the end of the dowel before attaching parts together . Wipe away excess glue immediately.



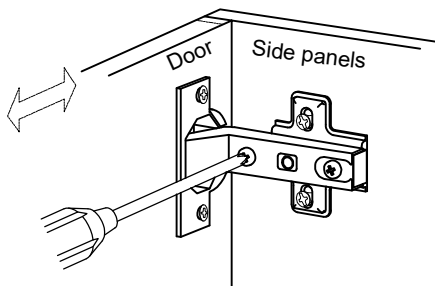
- VI. A Phillips head screwdriver is required for the assembly of this product .



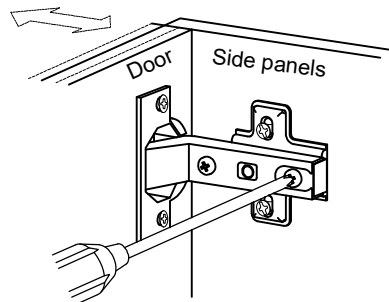
- VI. Power tools should not be used to assemble this product .



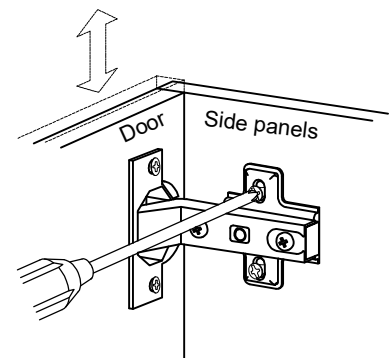
- VII. Concealed hinges are three-way adjustable.



Horizontal
by screw adjustment

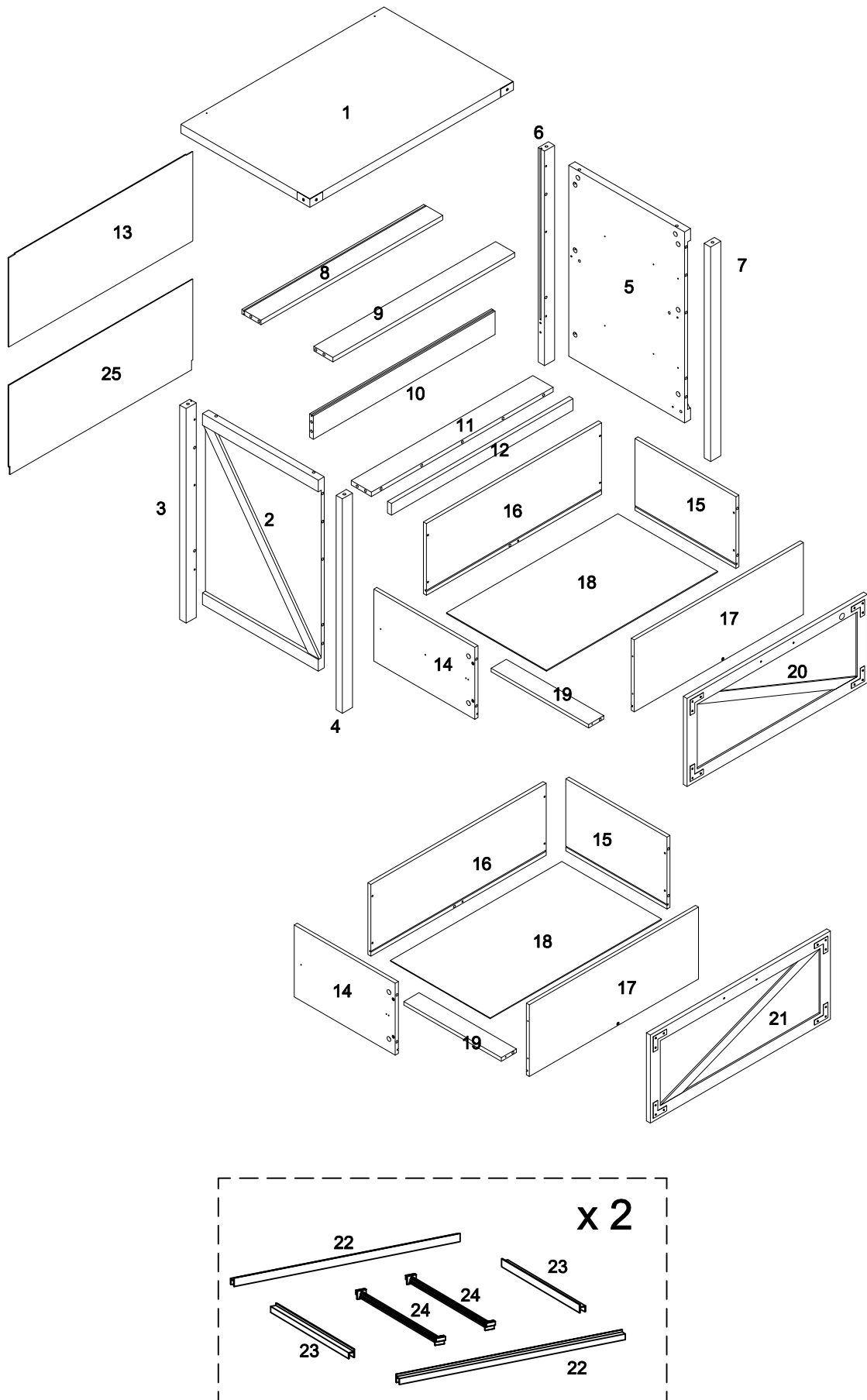


In-and-Out
by loosening the hinge-arm
mounting screw or via cam
adjustment


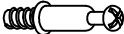



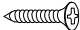


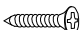

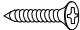

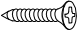



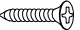



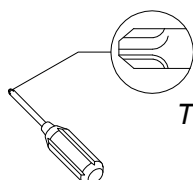
Vertical
Via slots in the mounting
plate or via cam adjustment

Parts List



Hardware List

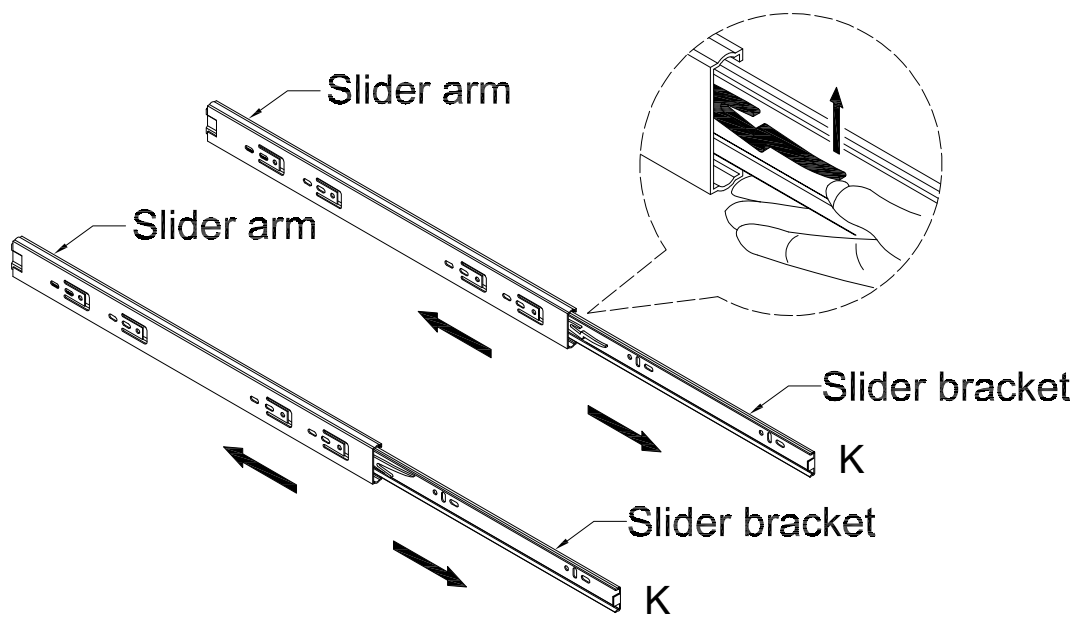
A		Ø8x30mm	Wooden dowel	24 pcs
B		Ø6x32mm	Cam lock	37 pcs
C		Ø15x9mm	Cam lock	37 pcs
D		Ø30mm	Sticker	37 pcs
F			padlock	1 pc
G		Ø3.5x14mm	Screw	4 pcs
H		Ø4x19mm	Screw	4 pcs
I			Hold hands	2 pcs
J		Ø4x32mm	Screw	20 pcs
K		16"	Drawer slider	2 sets
L		Ø3x12mm	Screw	28 pcs
M			Plastic wedge	8 pcs
N		Ø3x17mm	Screw	8 pcs
O			Anti-inversion hardware	2 pcs
P		Ø3.5*12mm	Screw	2 pcs
Q			Geckos	2 pcs
R		Ø4x40mm	Screw	2 pcs
S			Small White Glue	1 pc



Philips head screwdriver required for assembly
(not included)

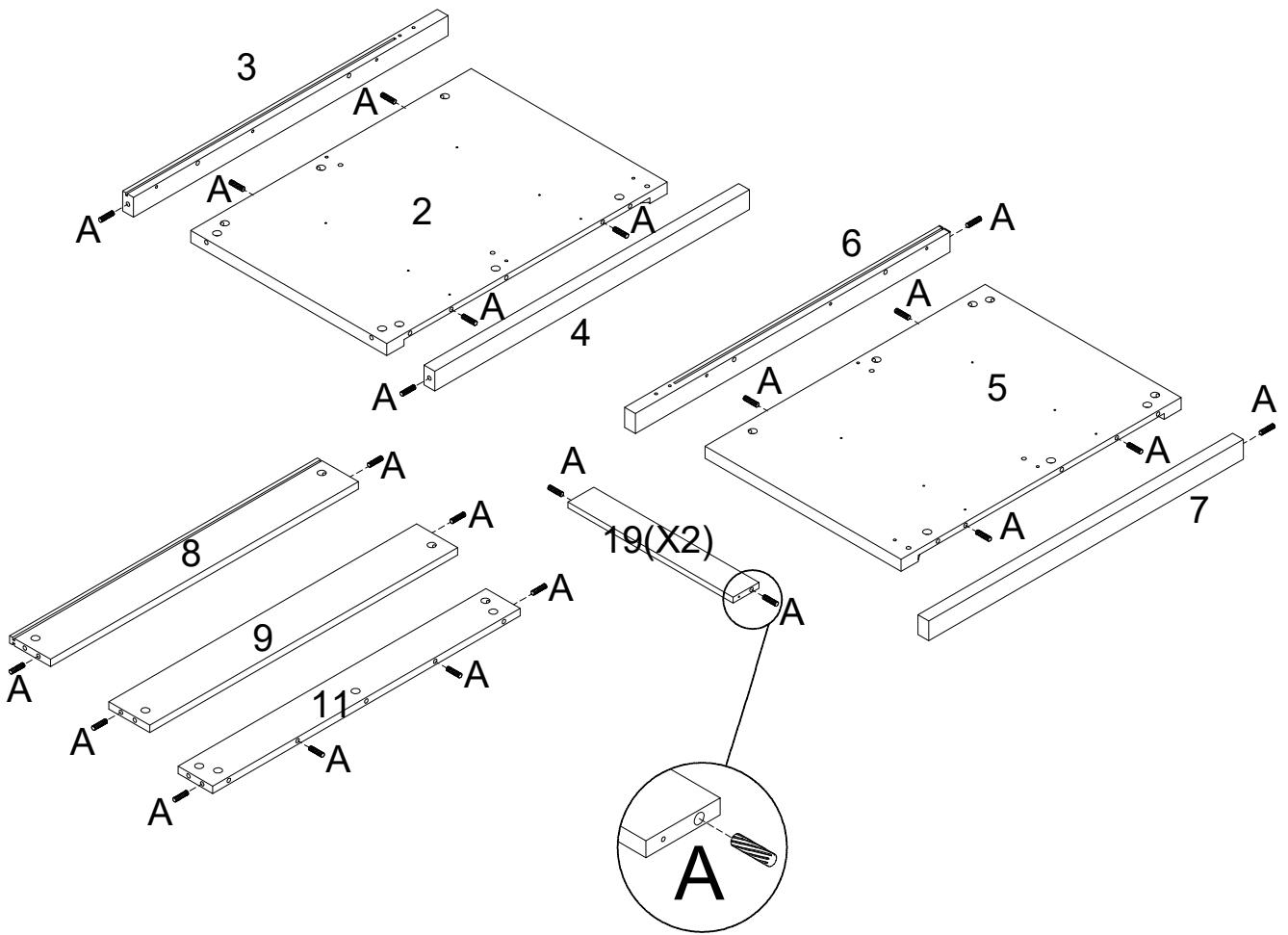
*The hardware quantities listed above are required for proper assembly.
Some extra hardware may also have been included.*


Step 1



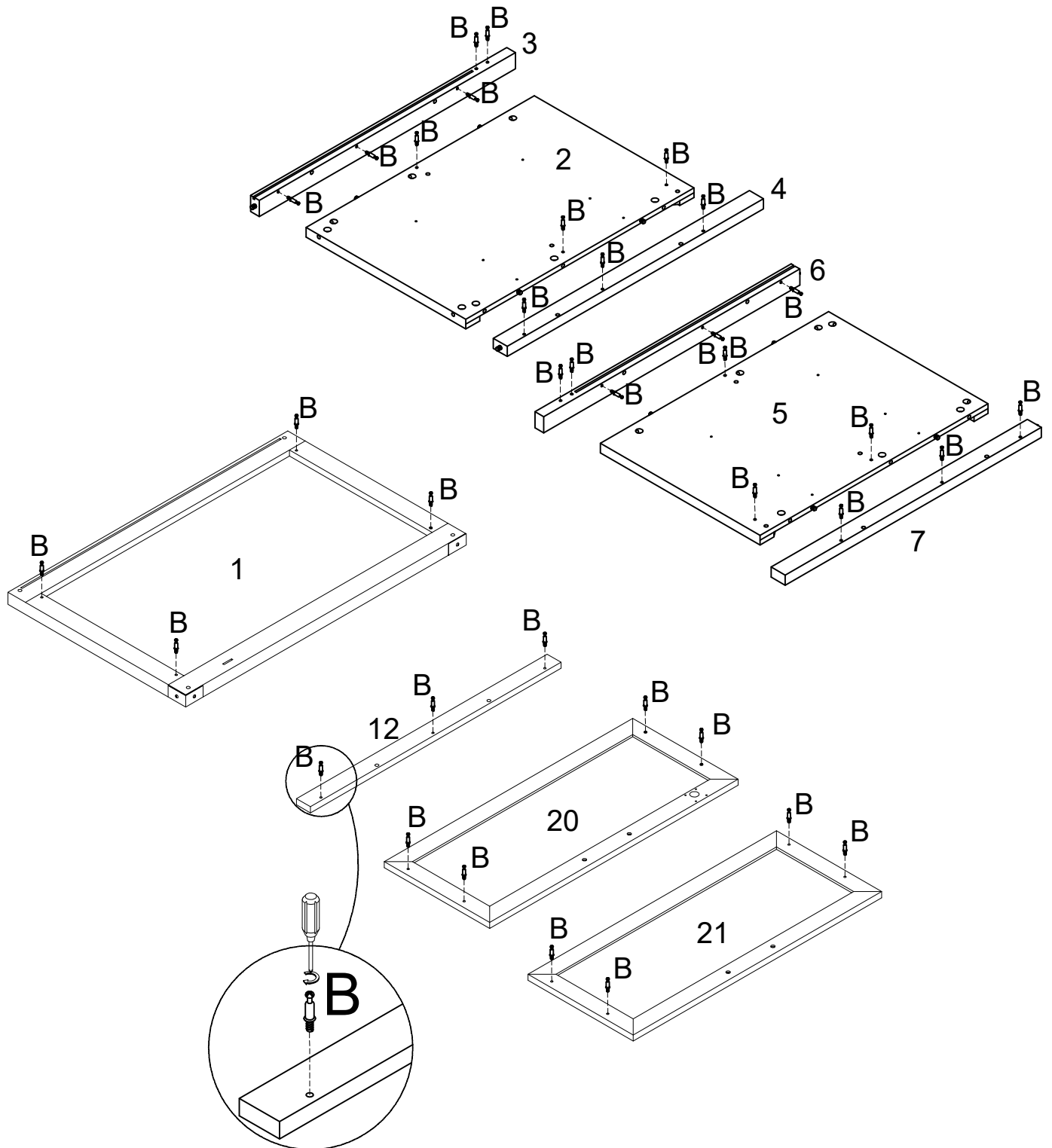
Put slider bracket into slider arm as per diagram.

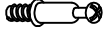
Step 2



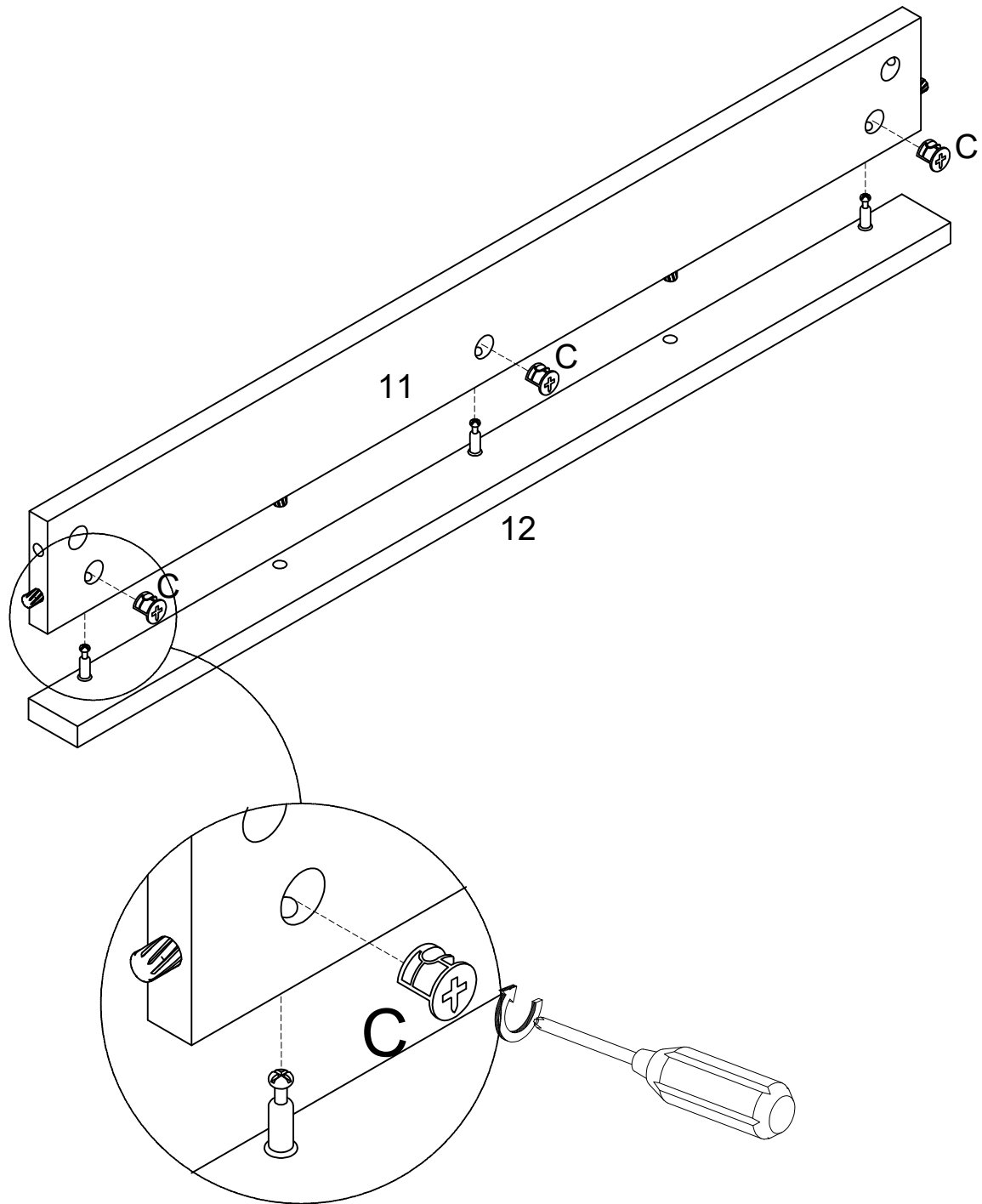
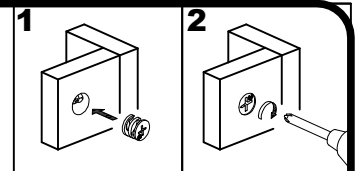
A

X24

Step 3



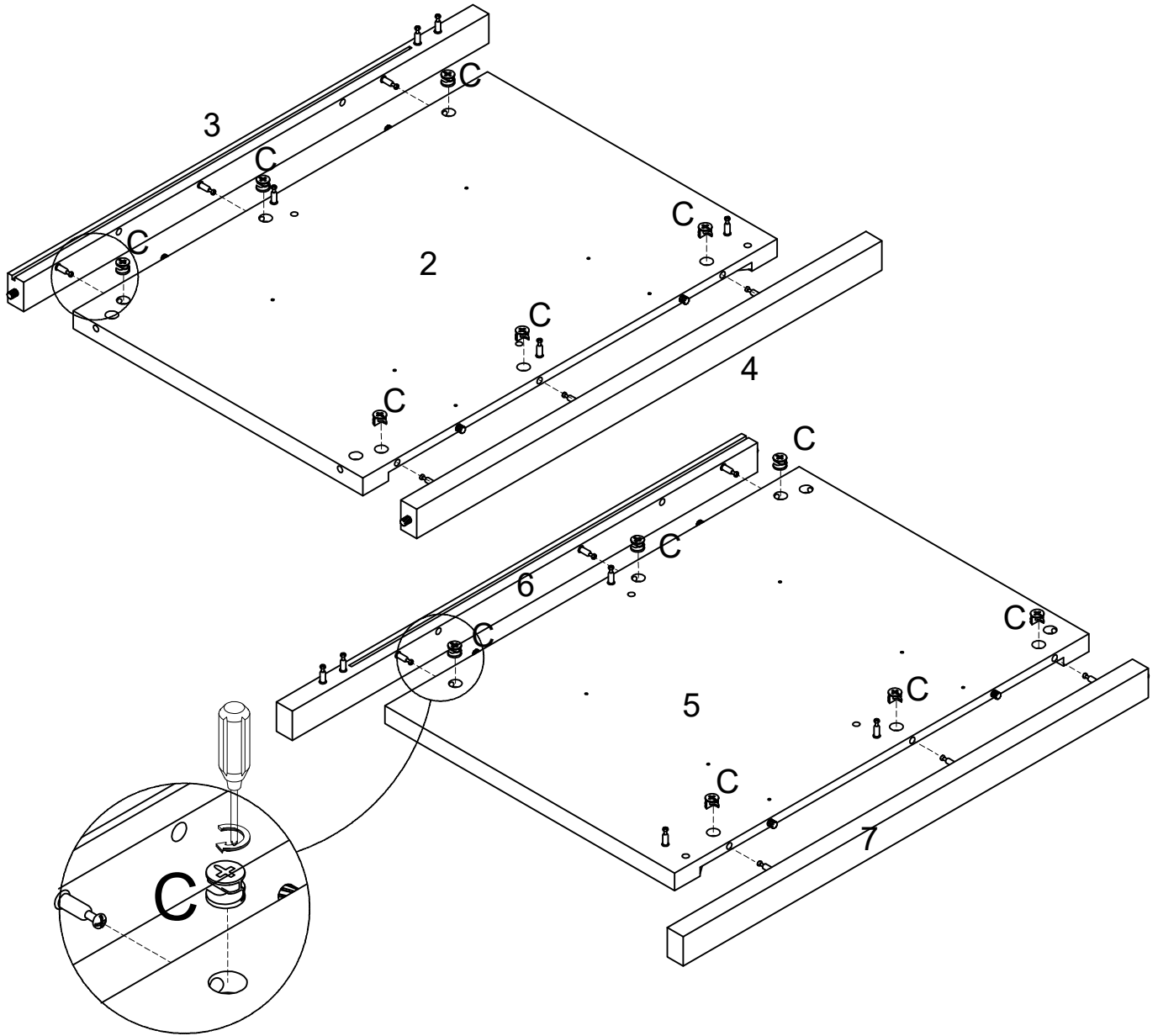
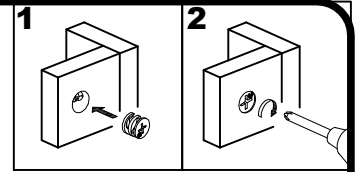
B

X37

Step 4



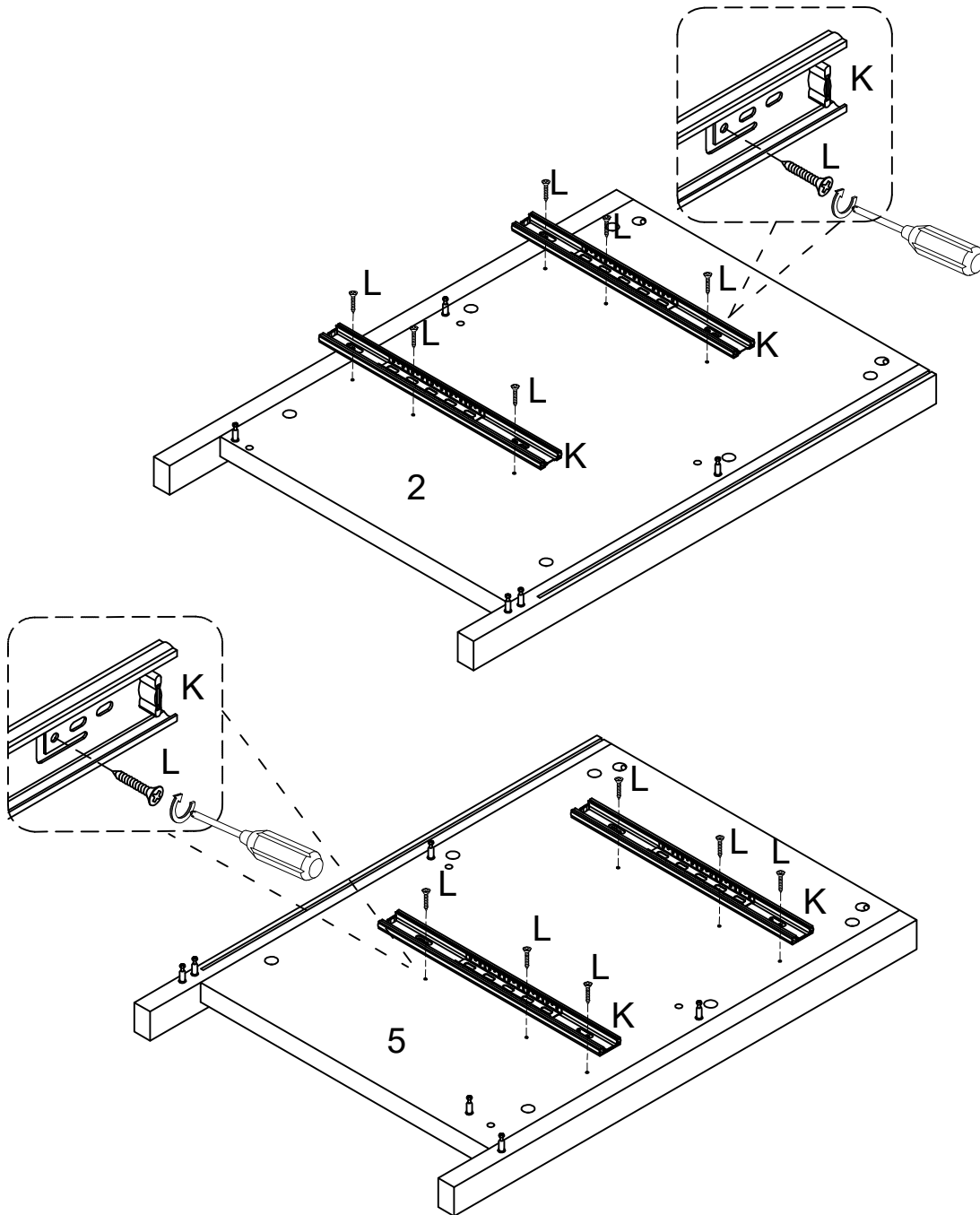
C
X3

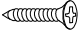

Step 5



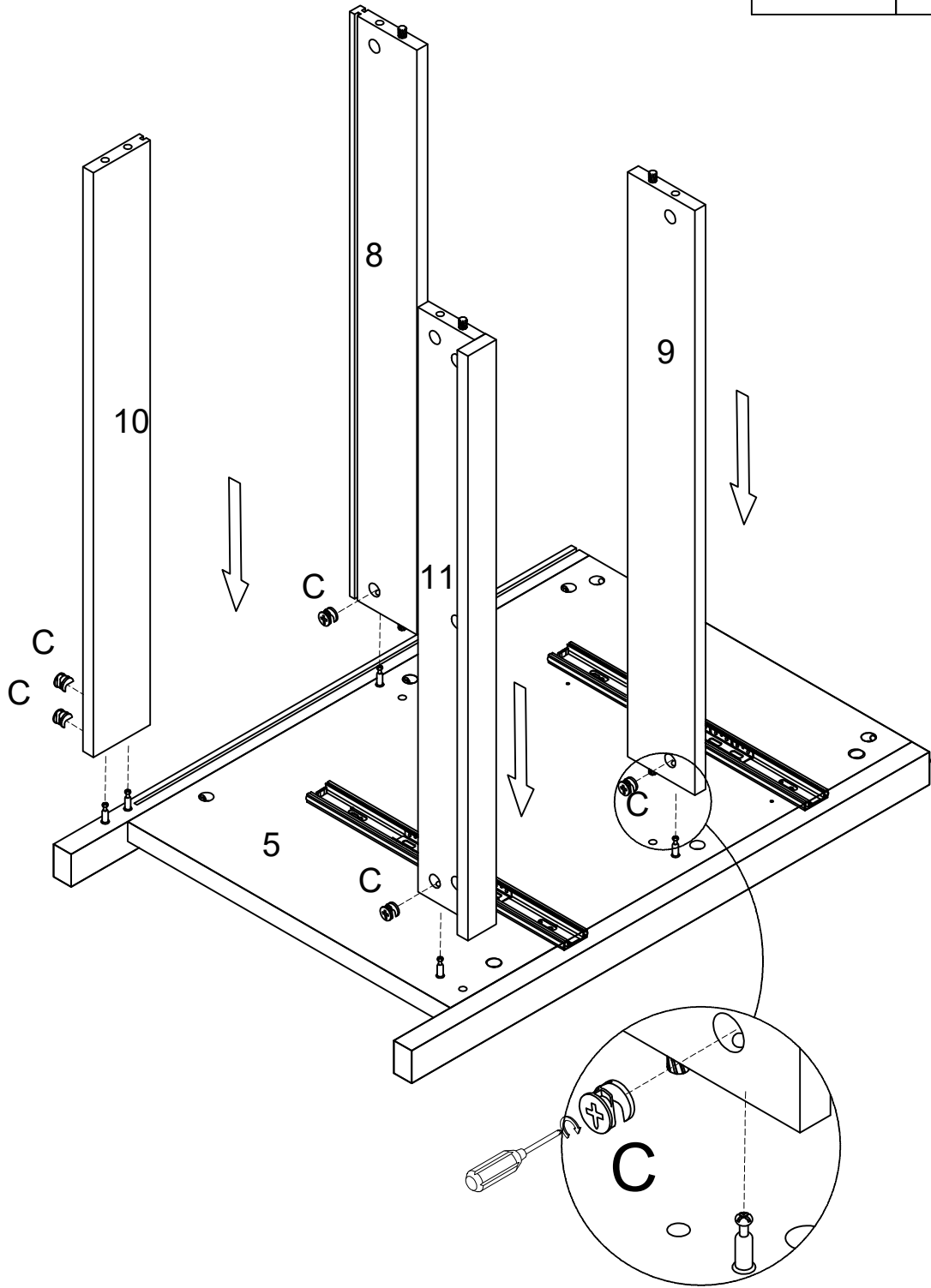
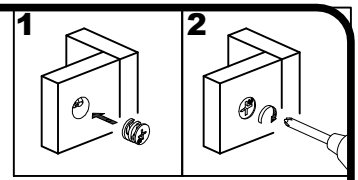
C
X12

Step 6



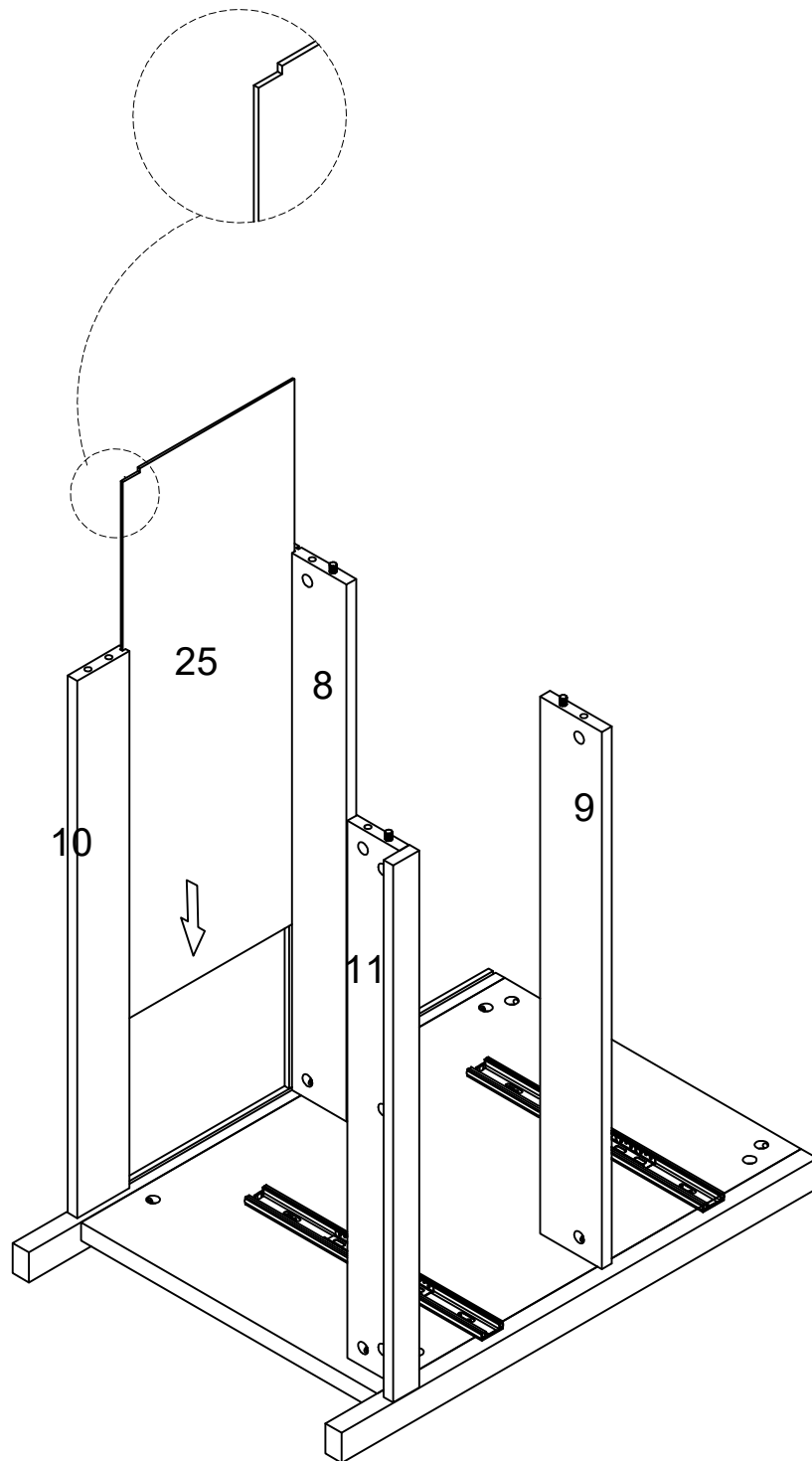
L	K
	
X12	X2

Step 7

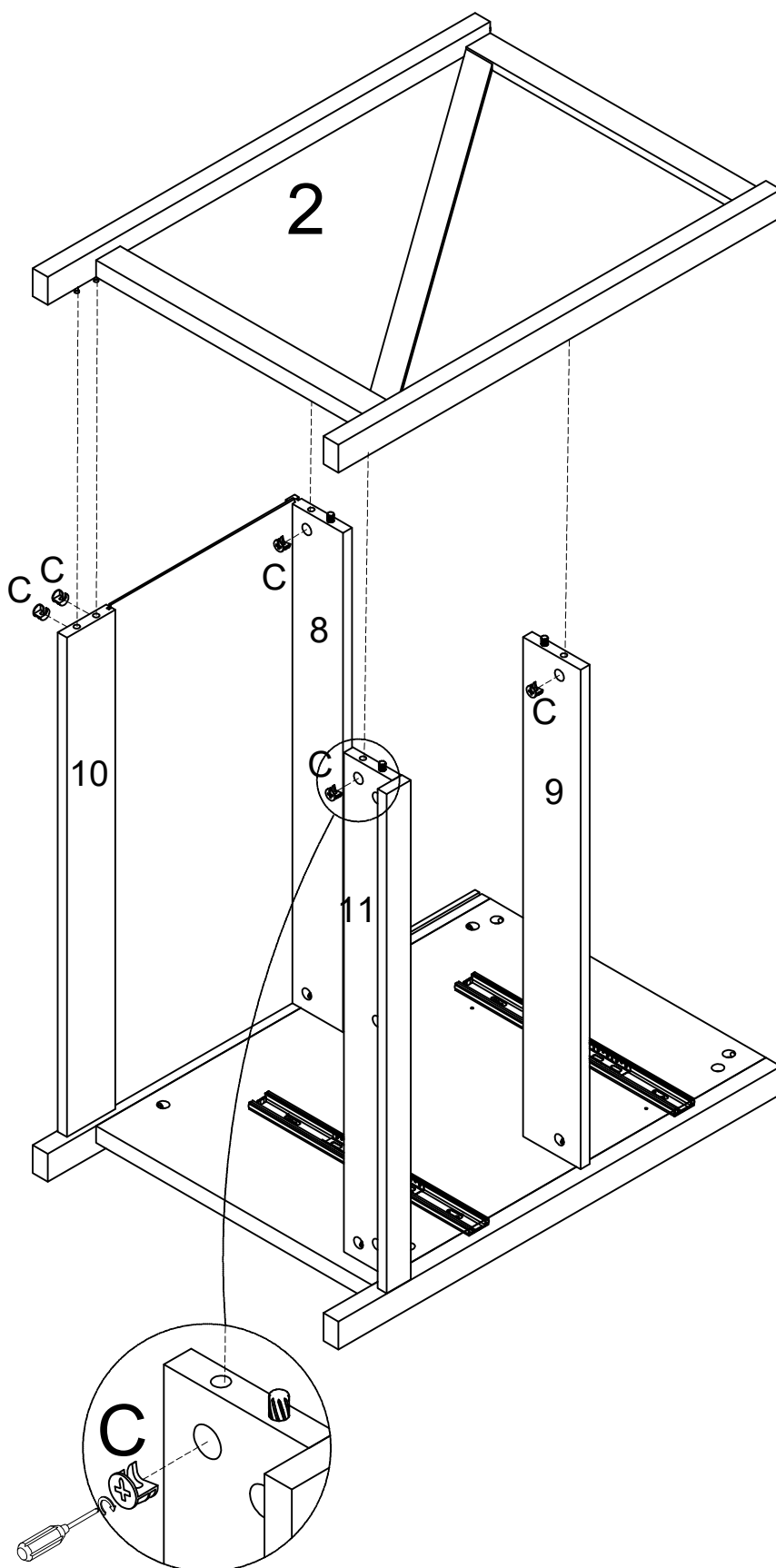
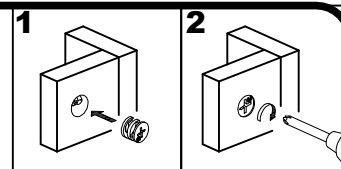



C
X5

Step 8

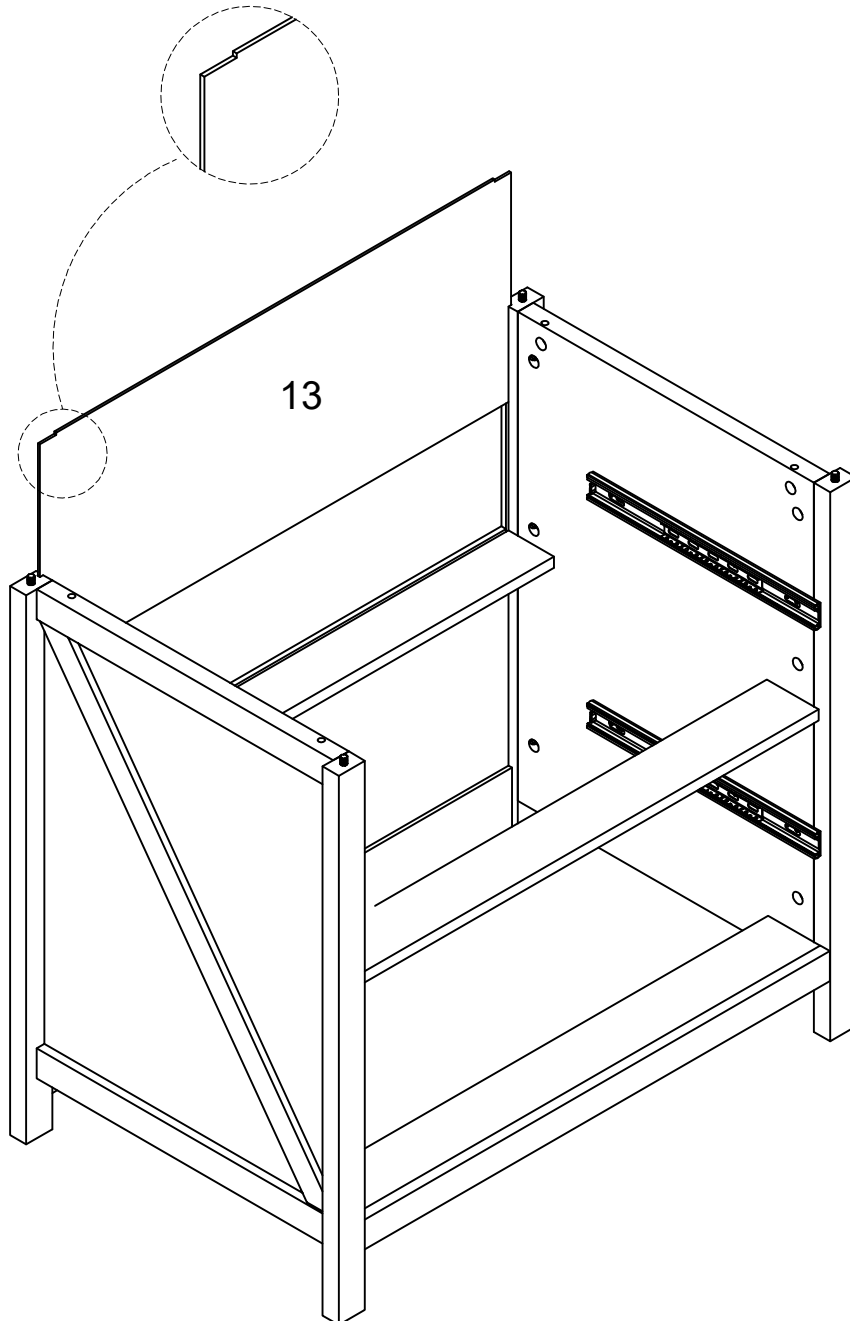


Step 9

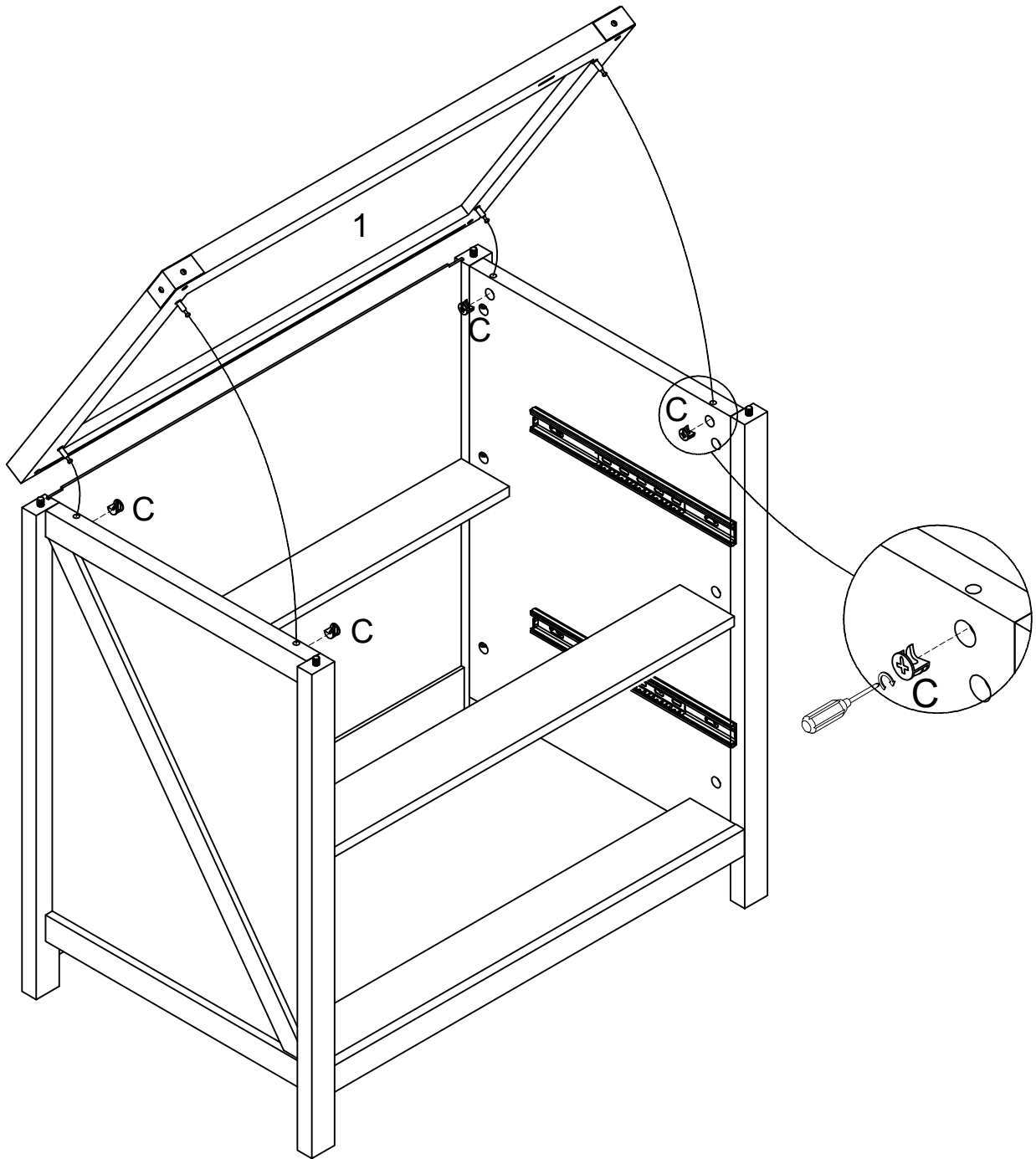
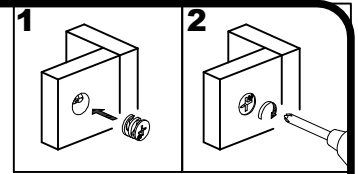



C

X5

Step 10

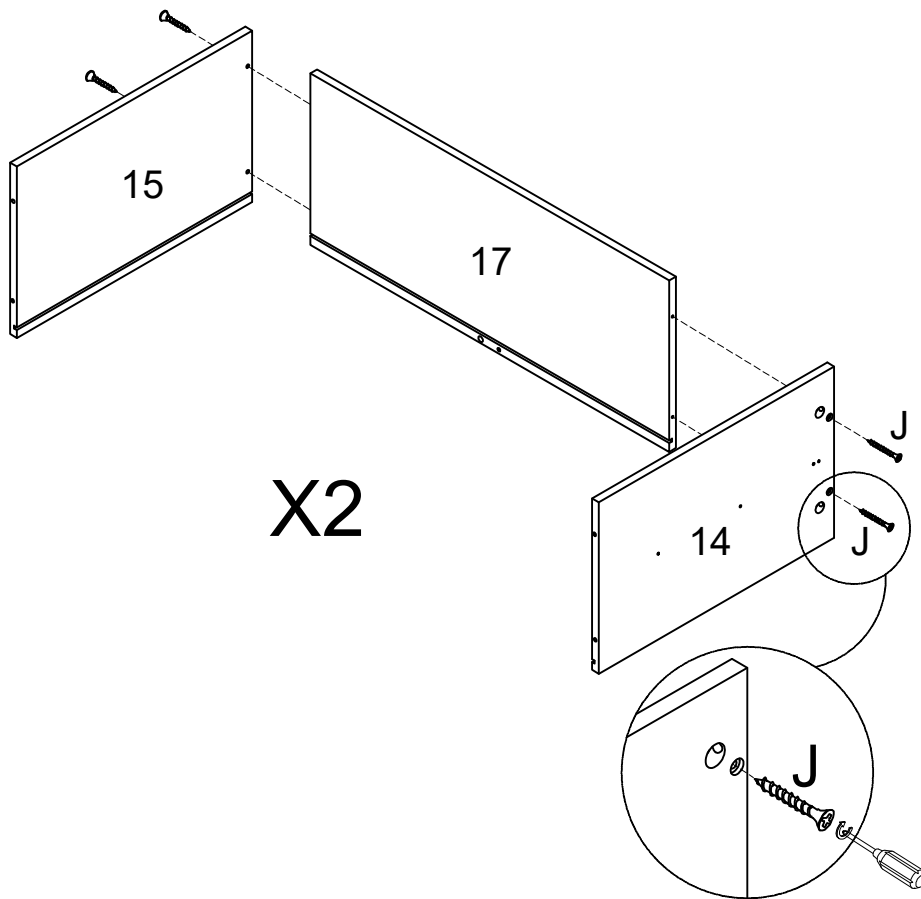


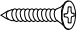
Step 11



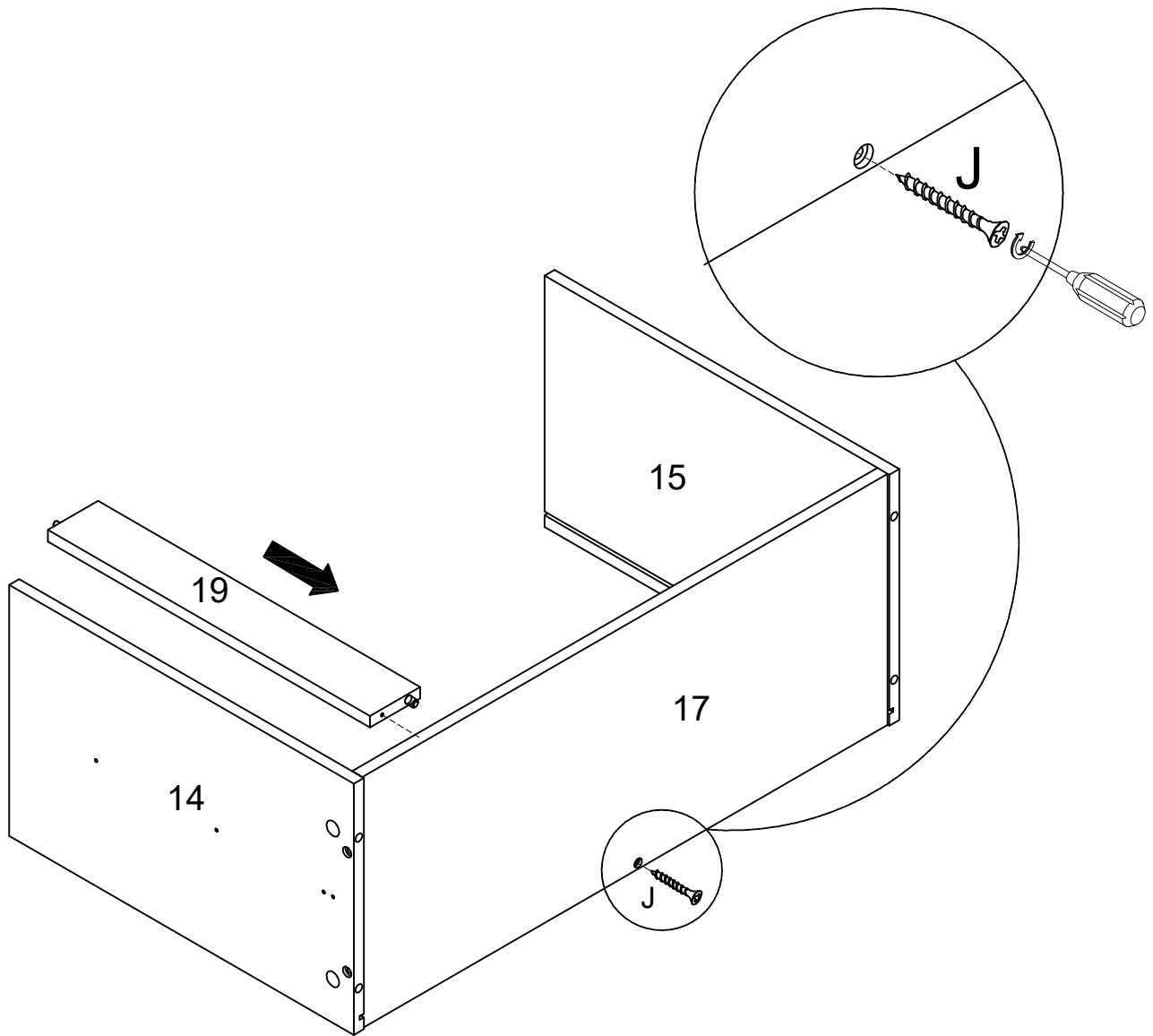
C

X4

Step 12




J

X8

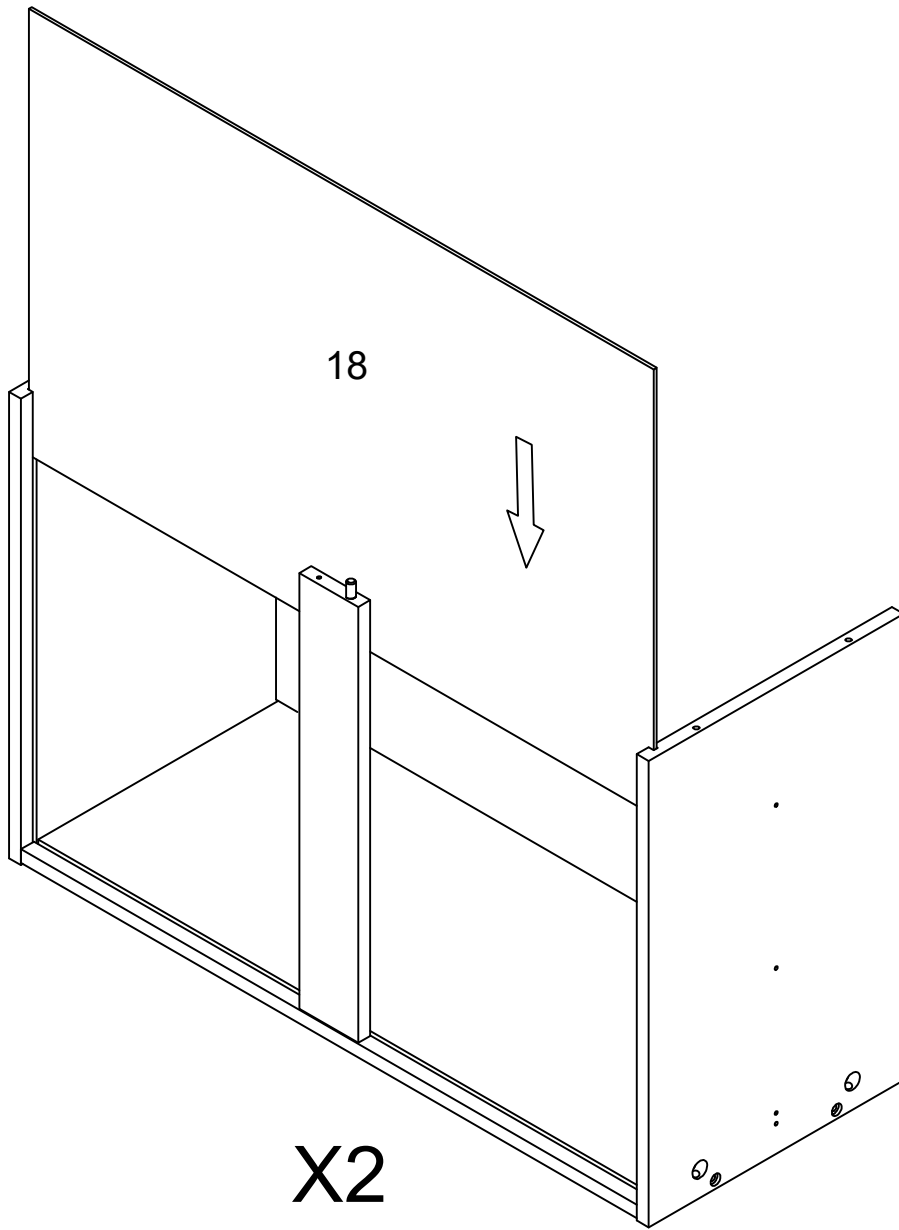
Step 13



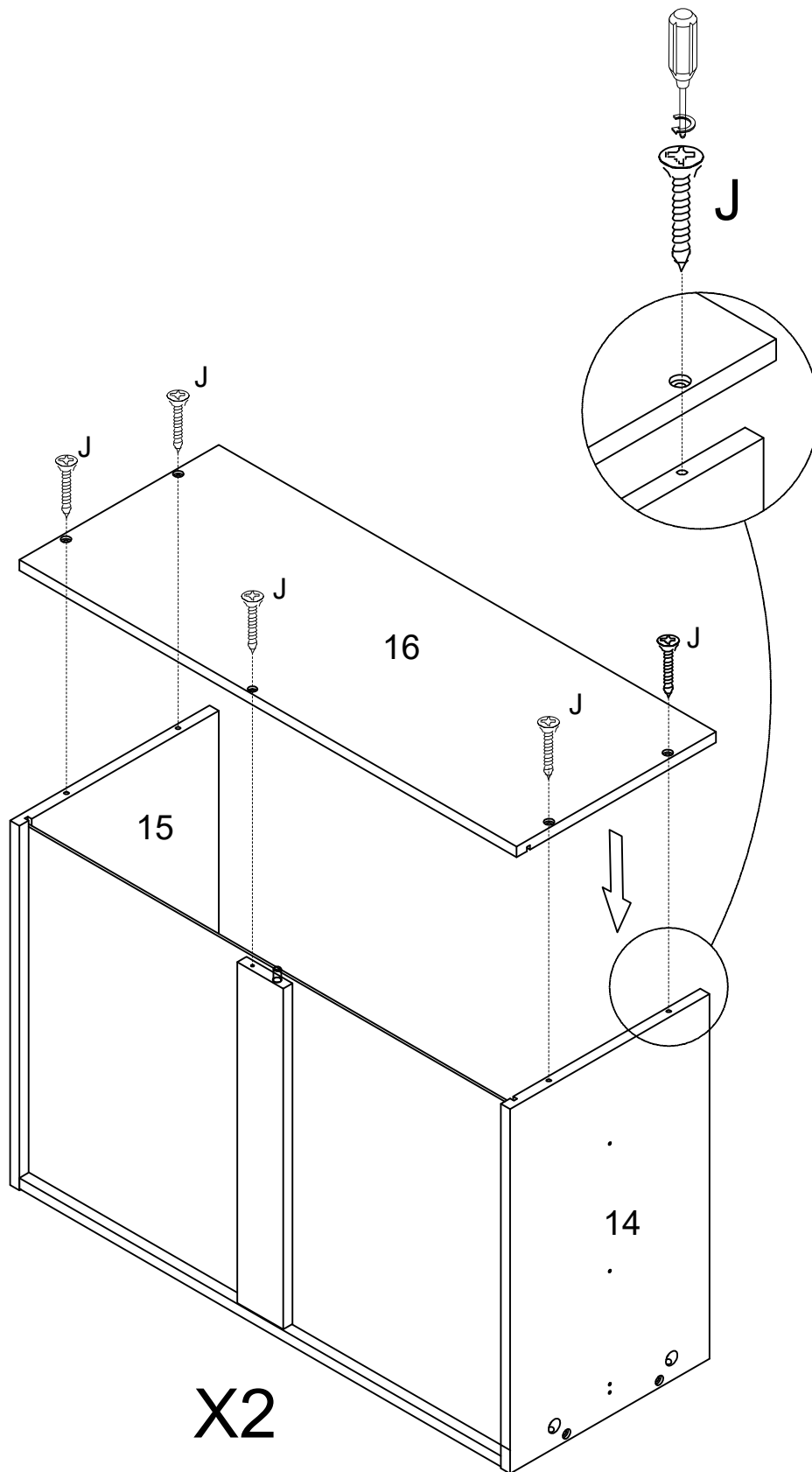
X2

J

X2

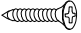
Step 14



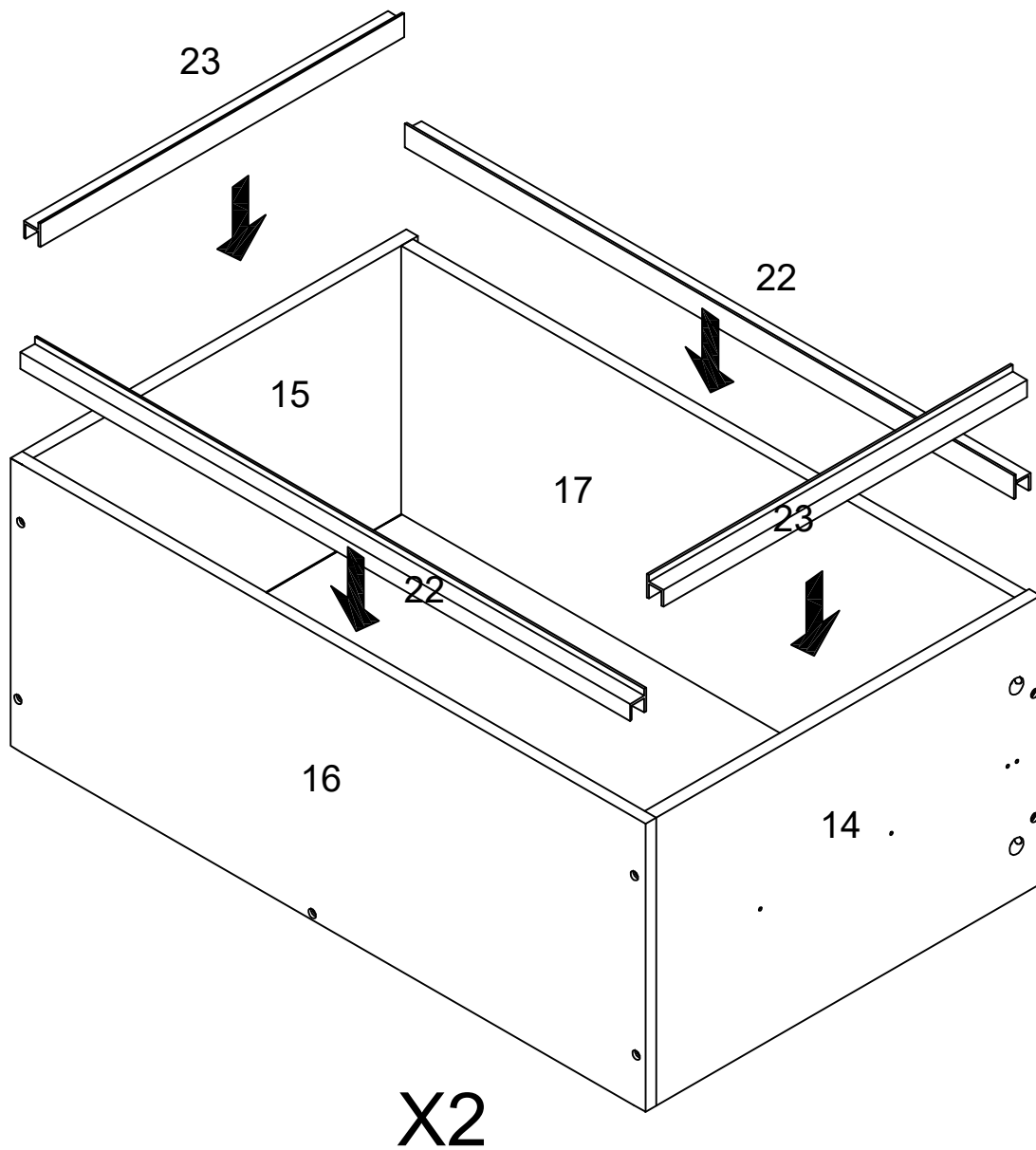
Step 15



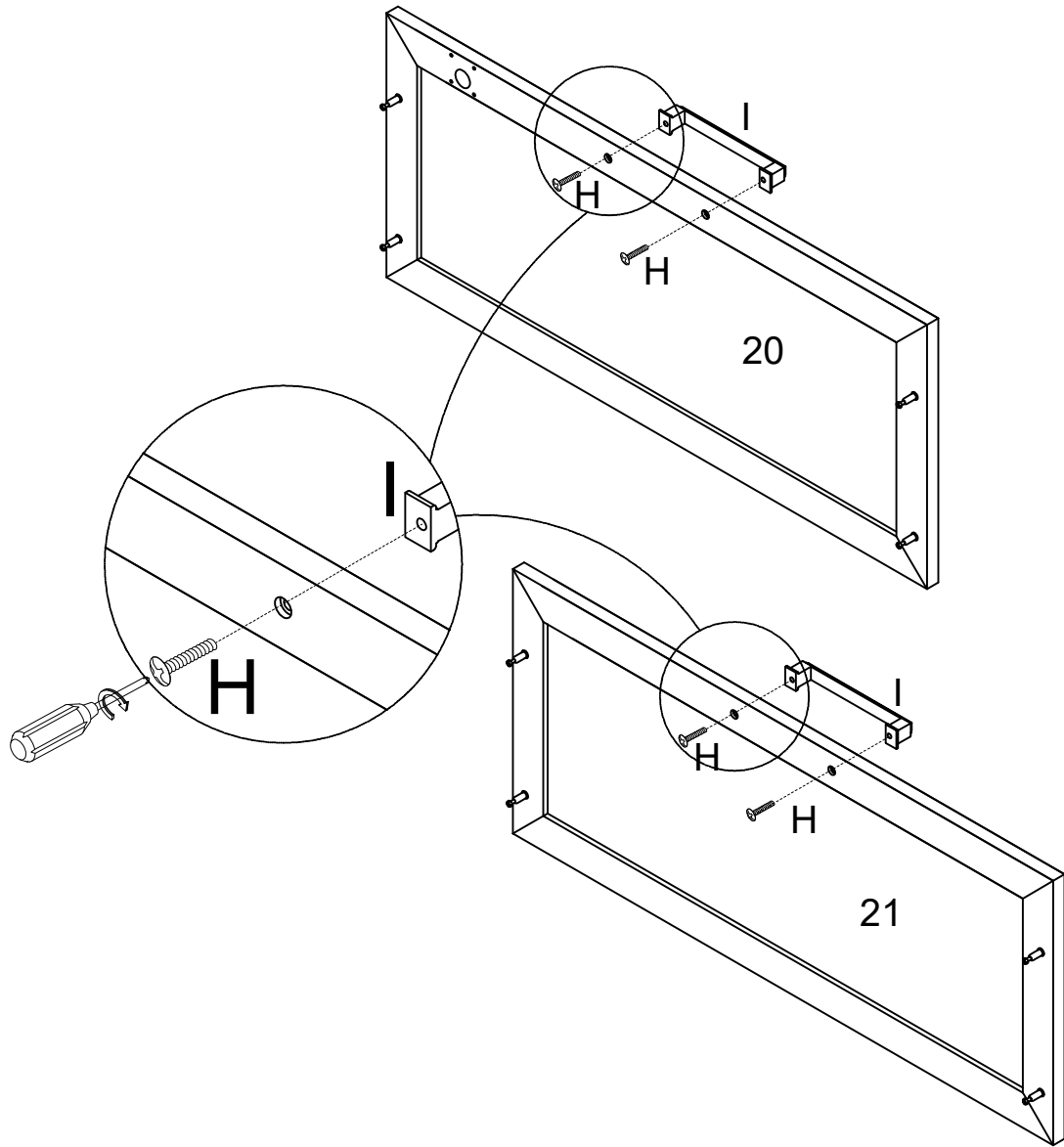
X2


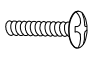
J

X10

Step 16

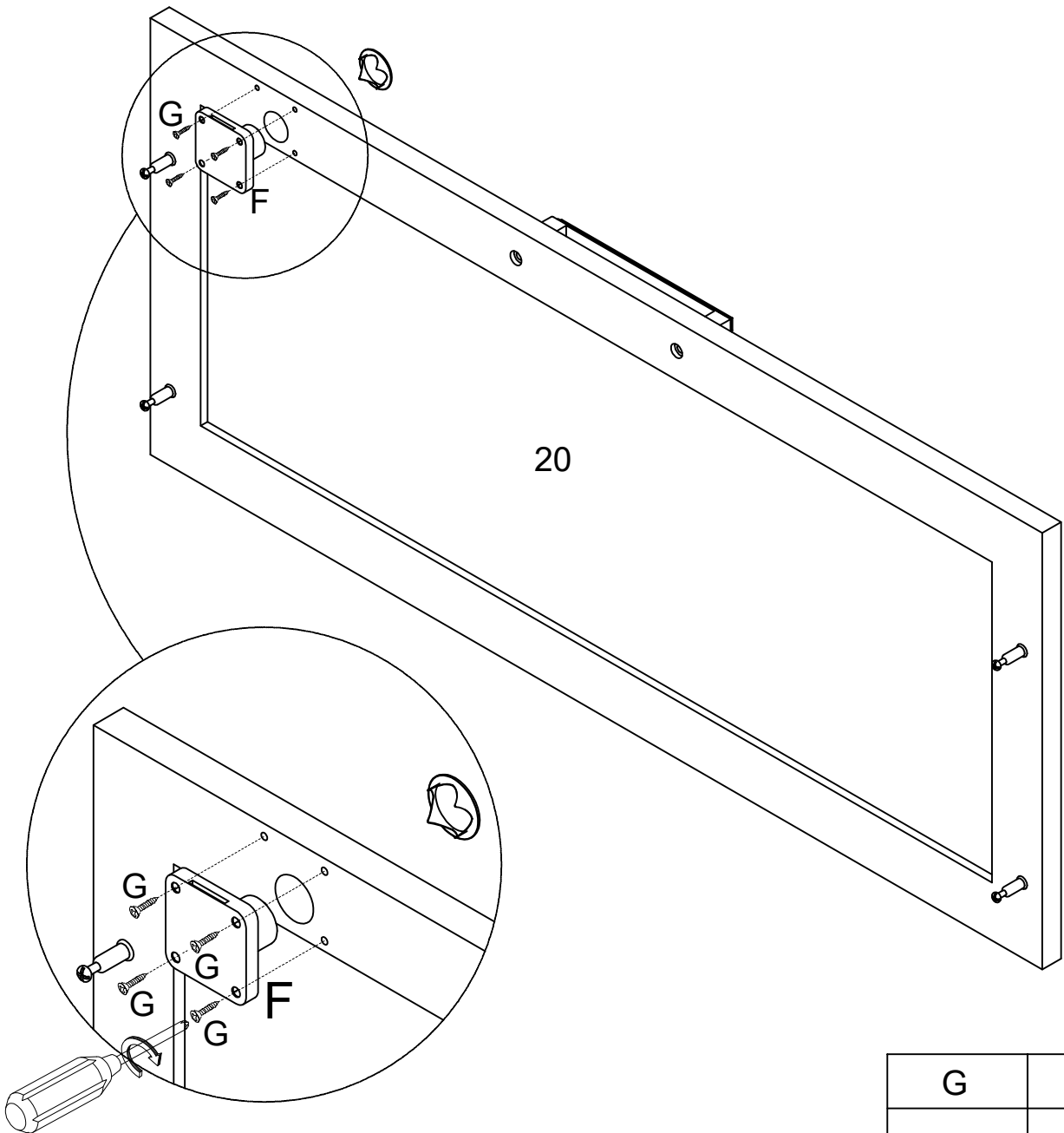
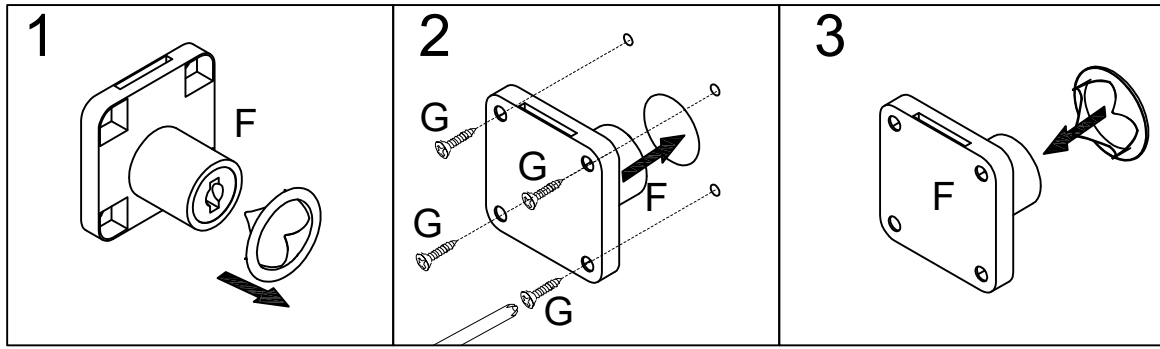




Step 17



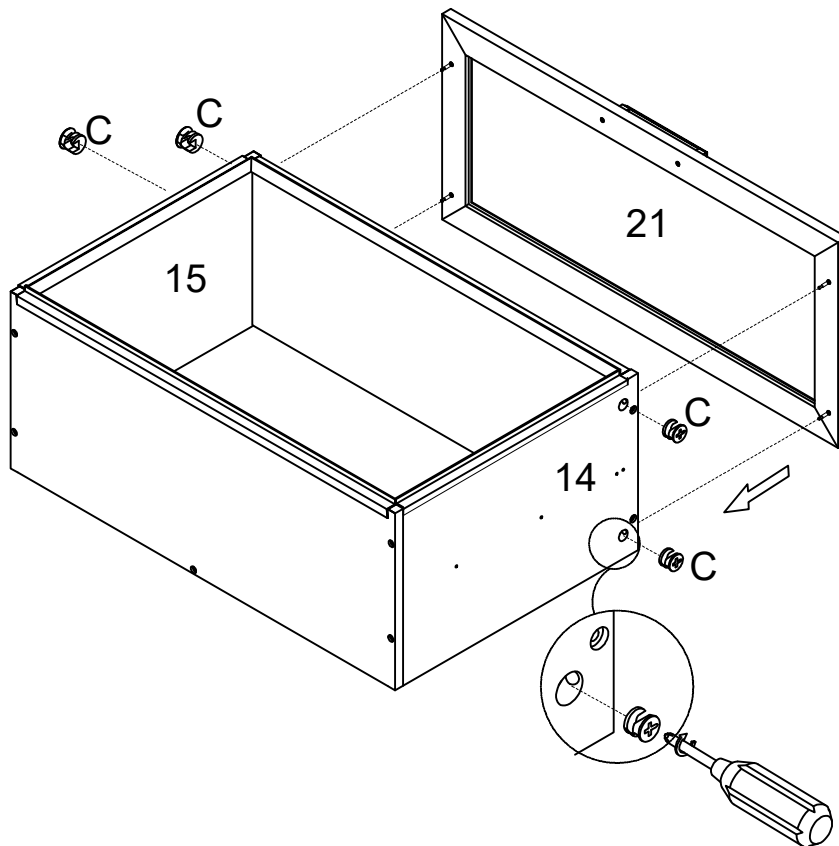
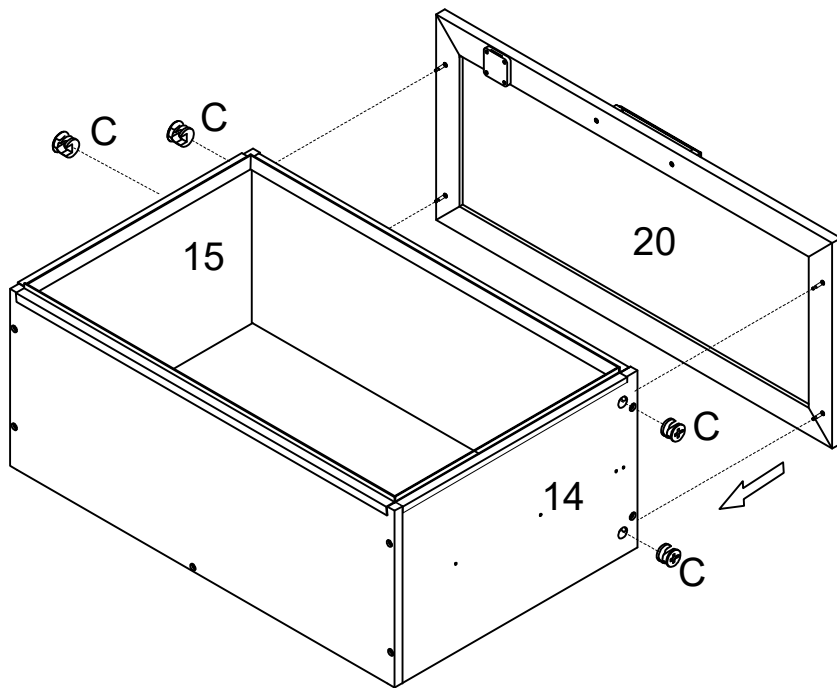
I	H
	
X2	X4


Step 18



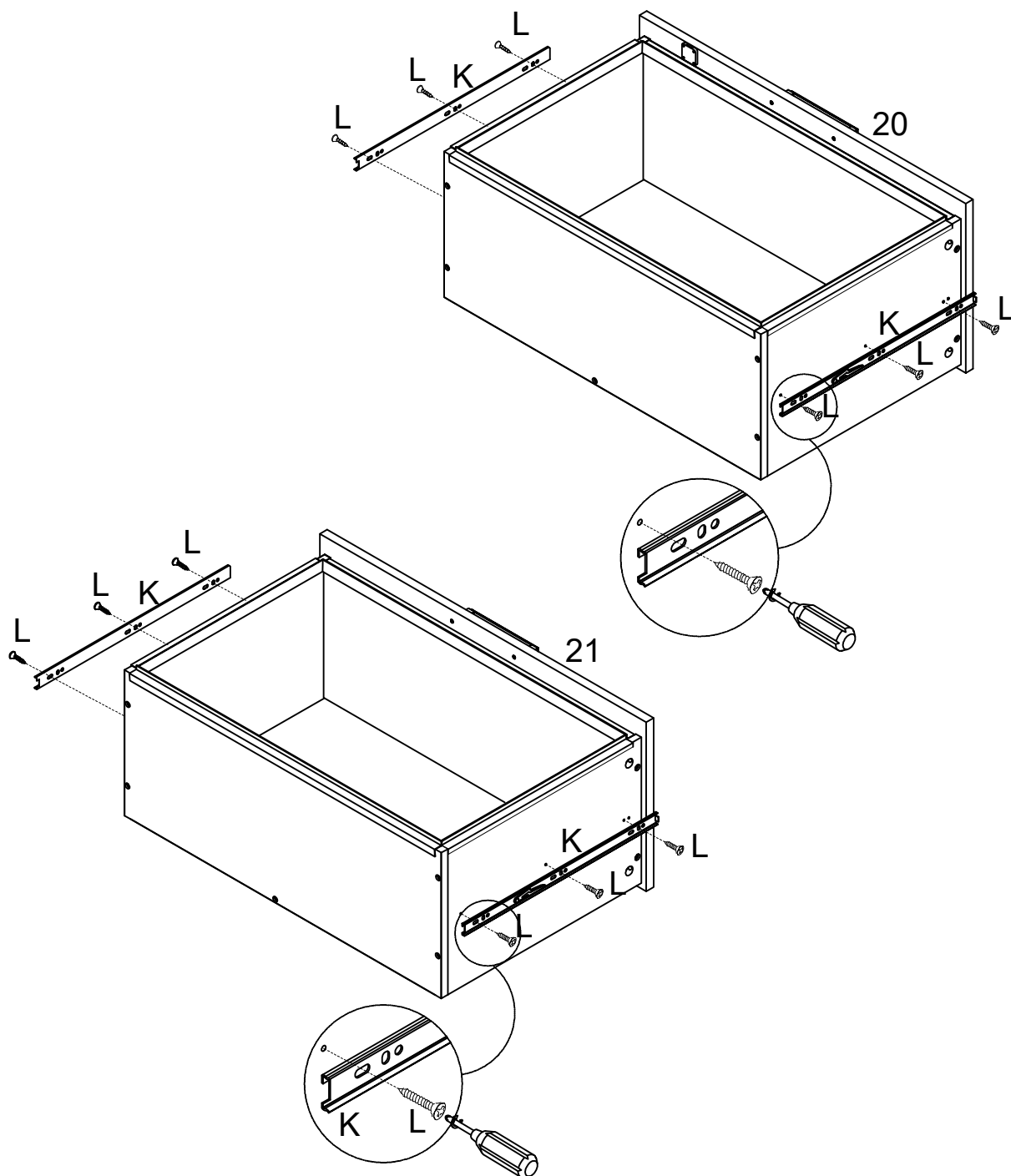
G	F
	
X4	X1



Step 19



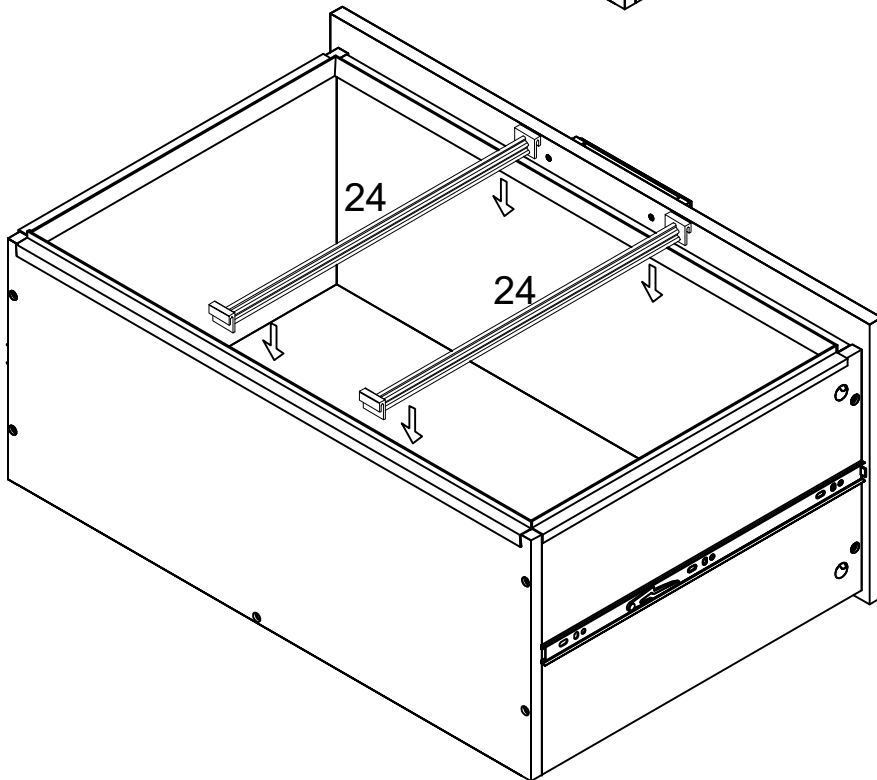
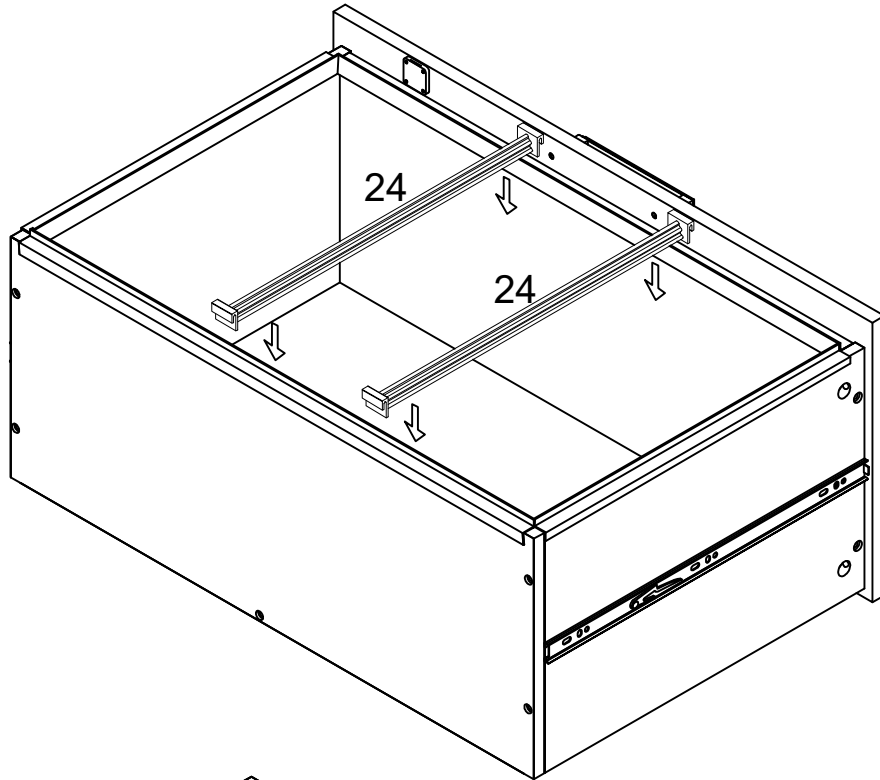
C

X8

Step 20

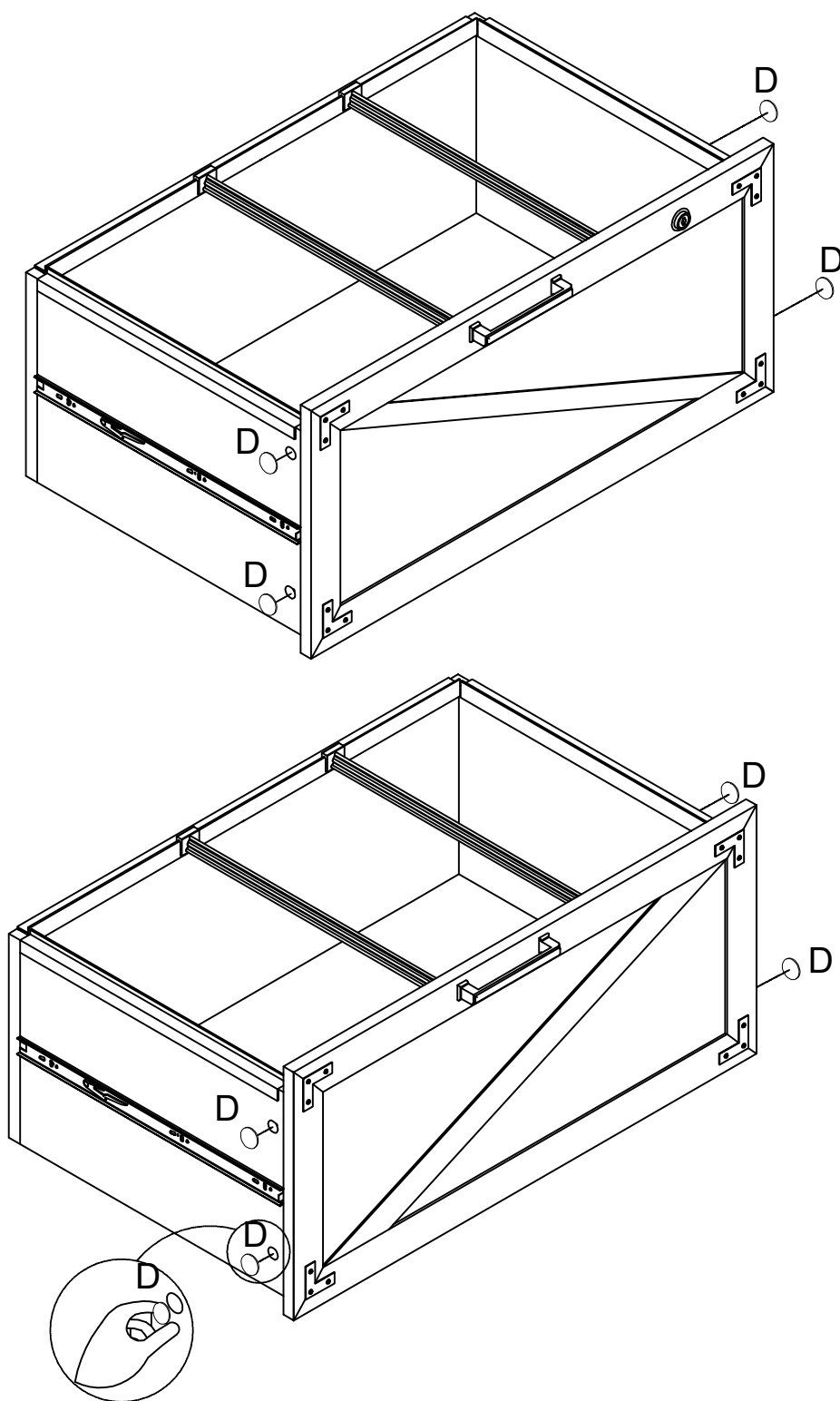


K	L
	
X2	X12

Step 21

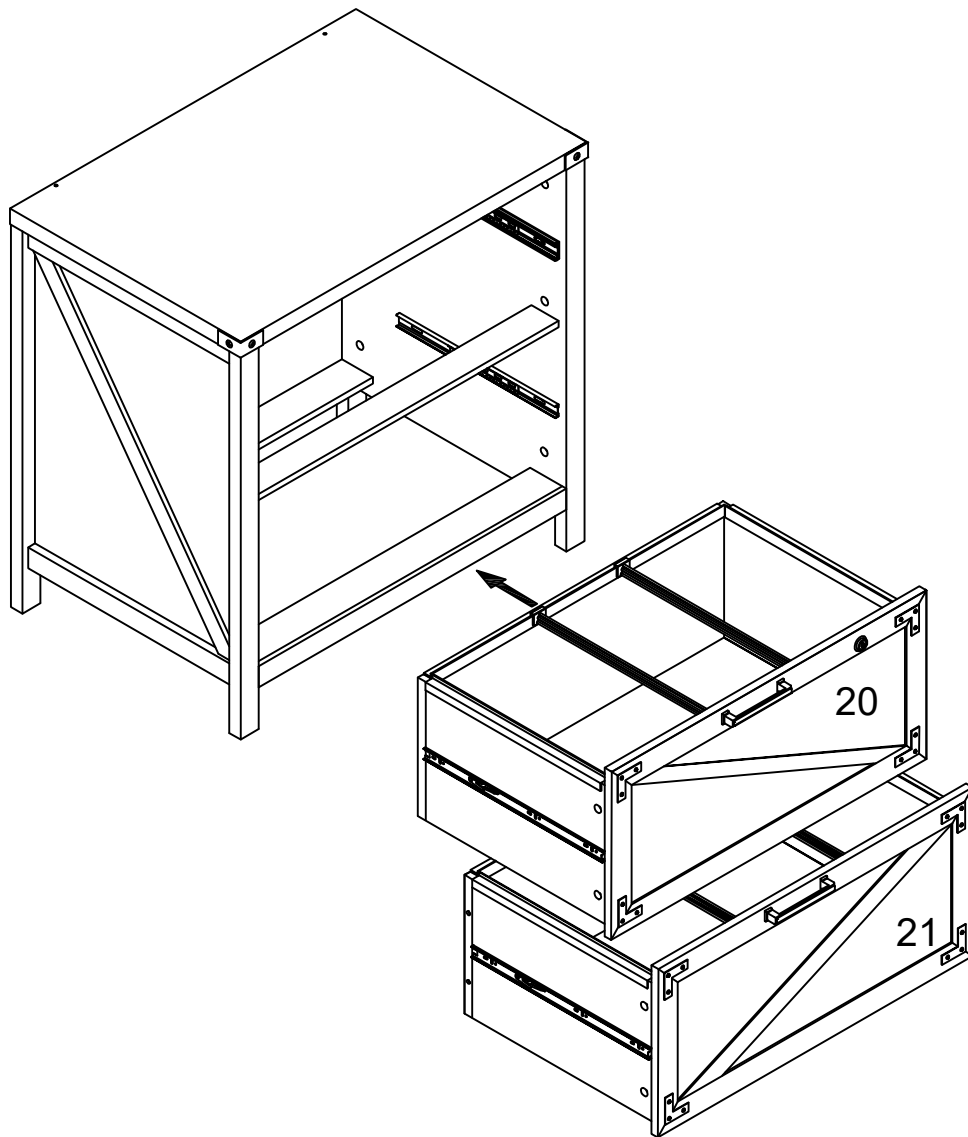


Step 22

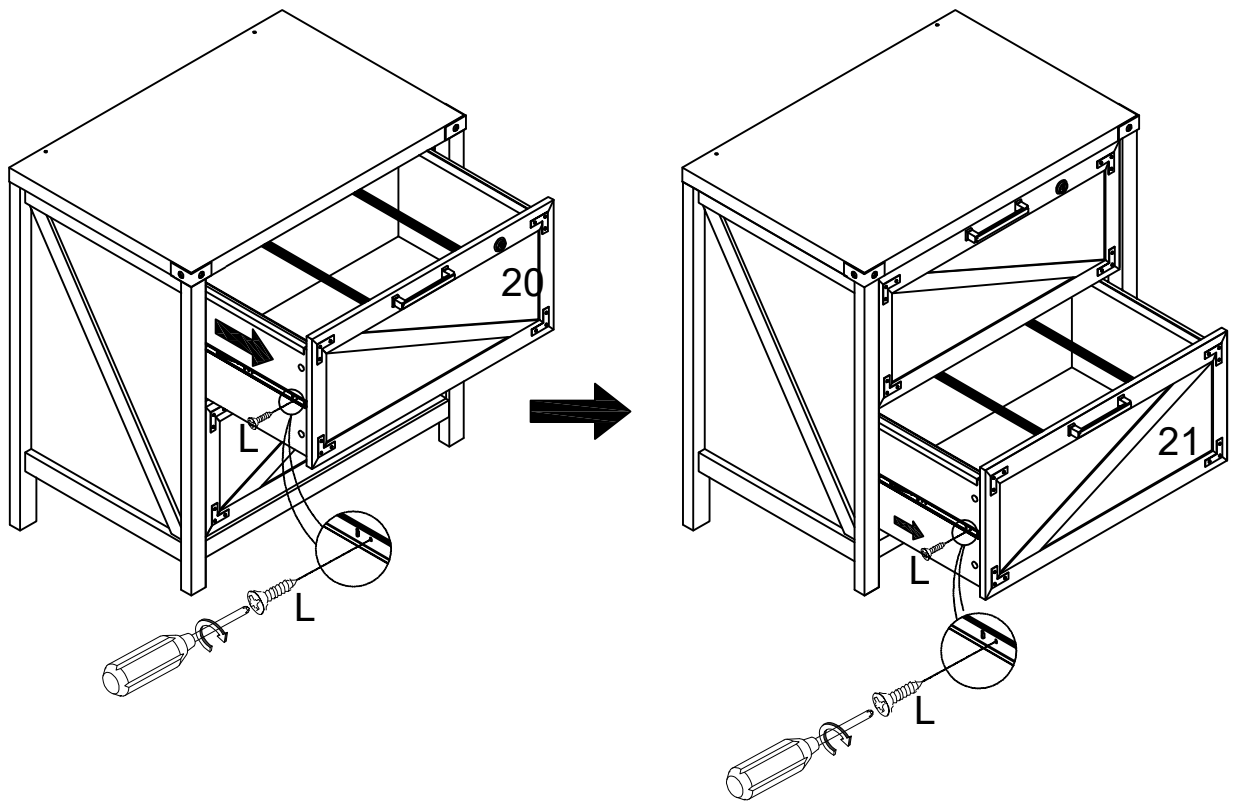
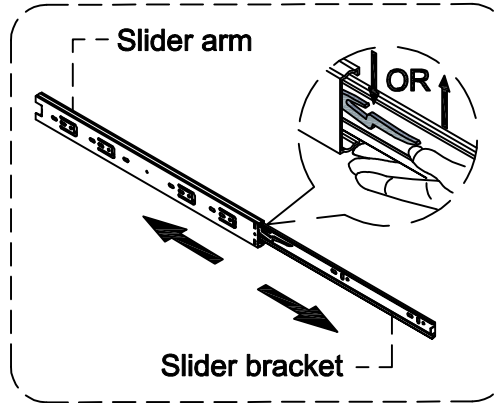


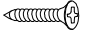
D
O
X8

Step 23

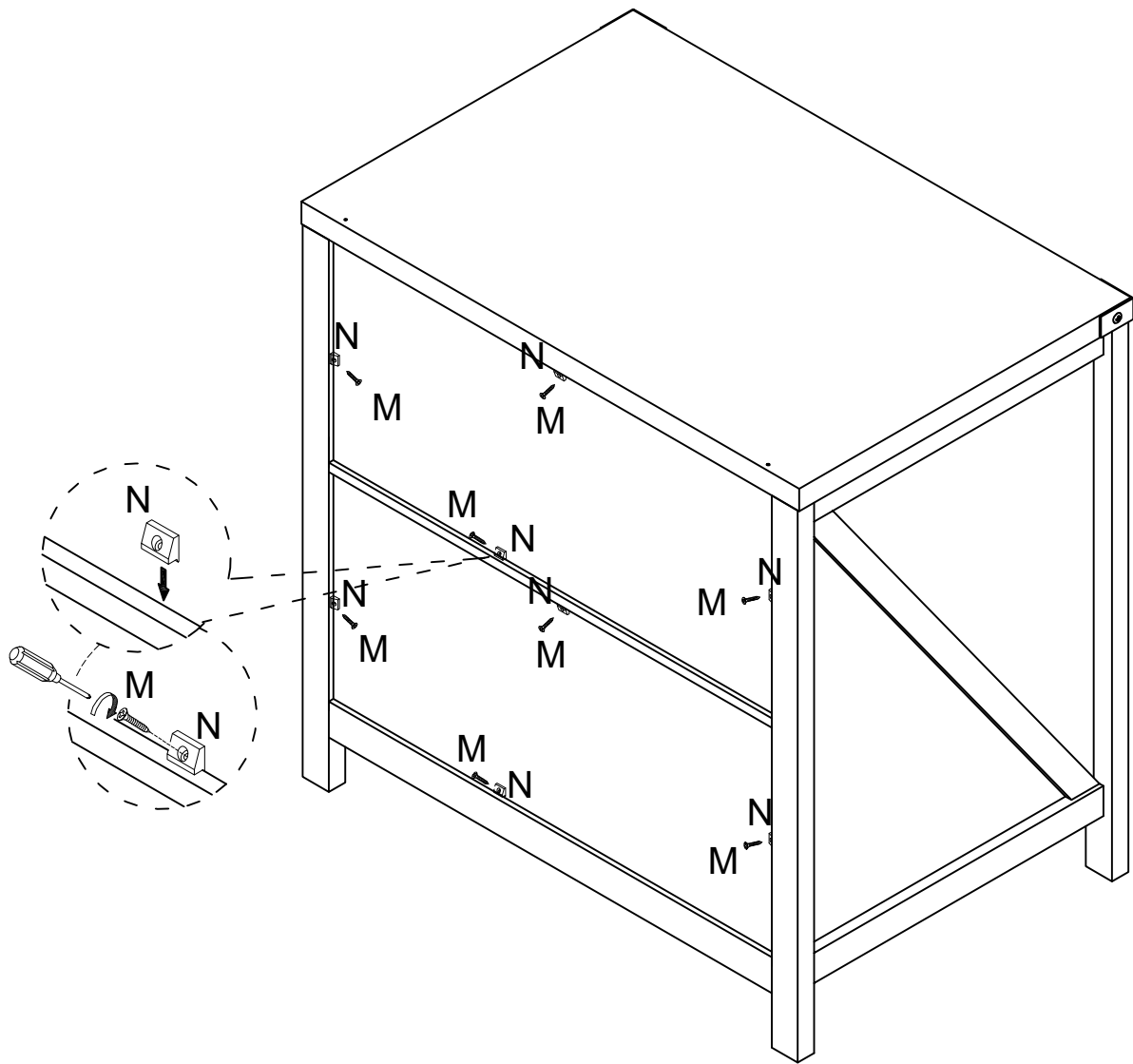



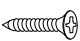
Step 24



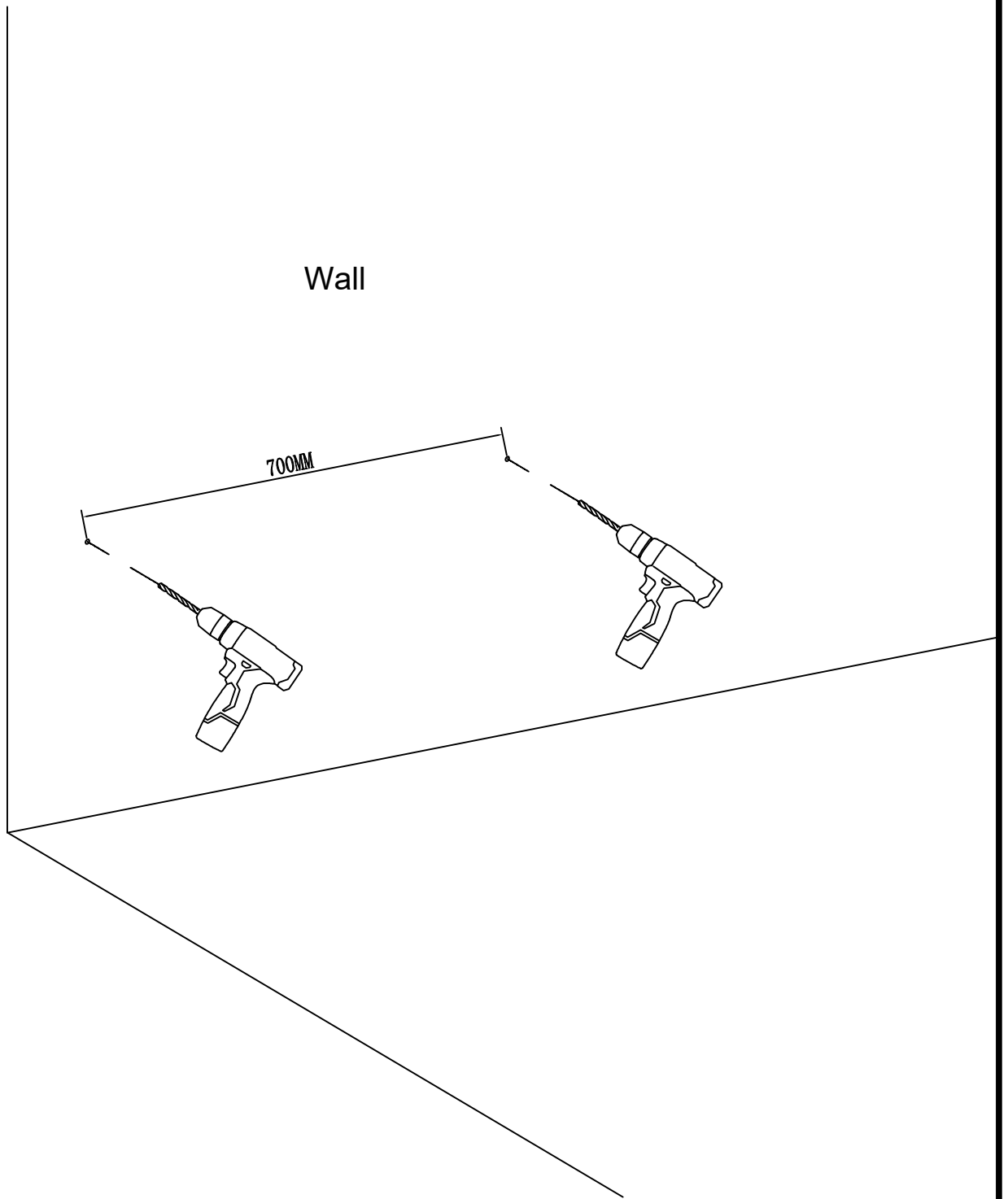
L

X4

Step 25

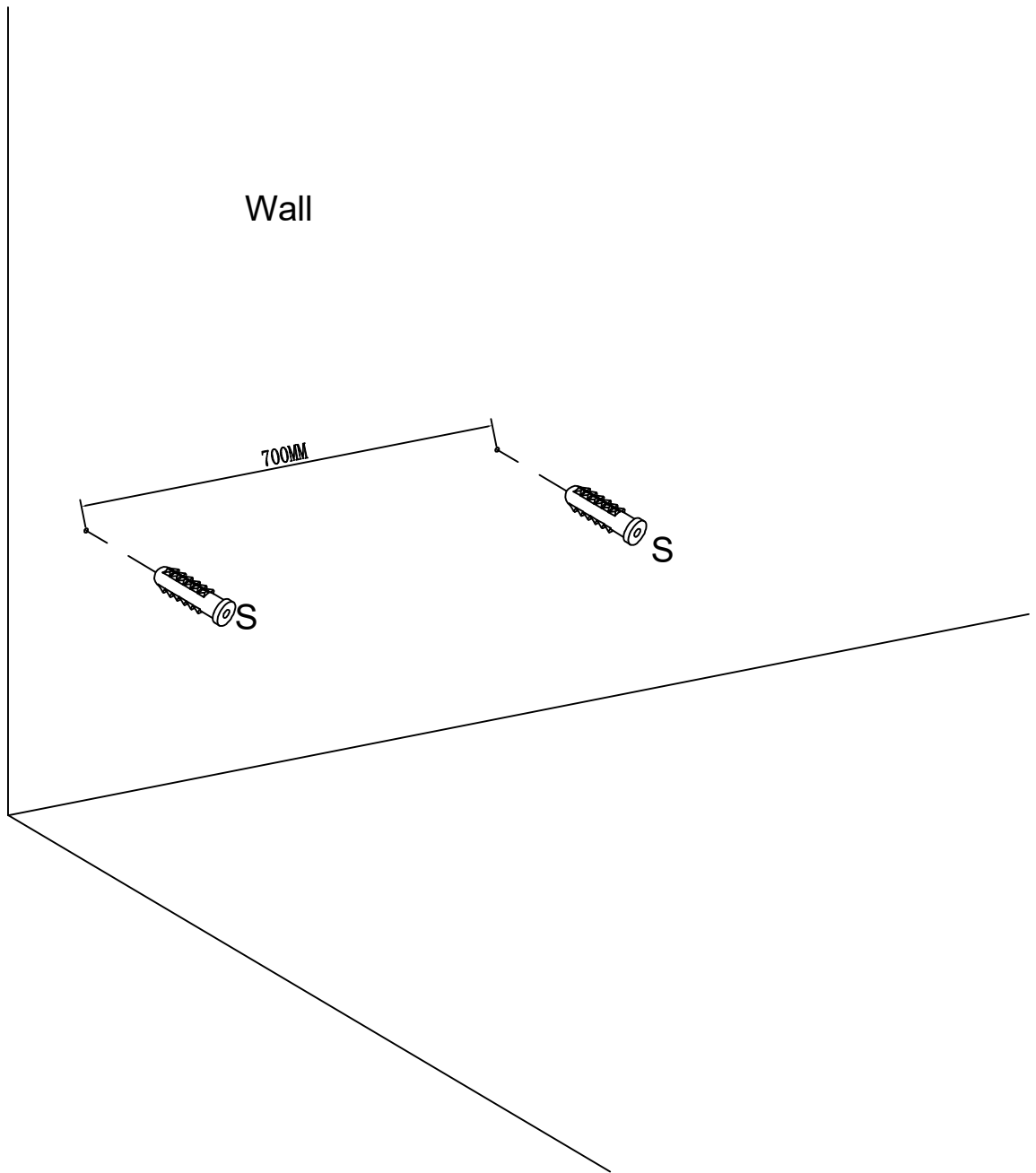


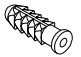
N	M
	
X8	X8

Step 26

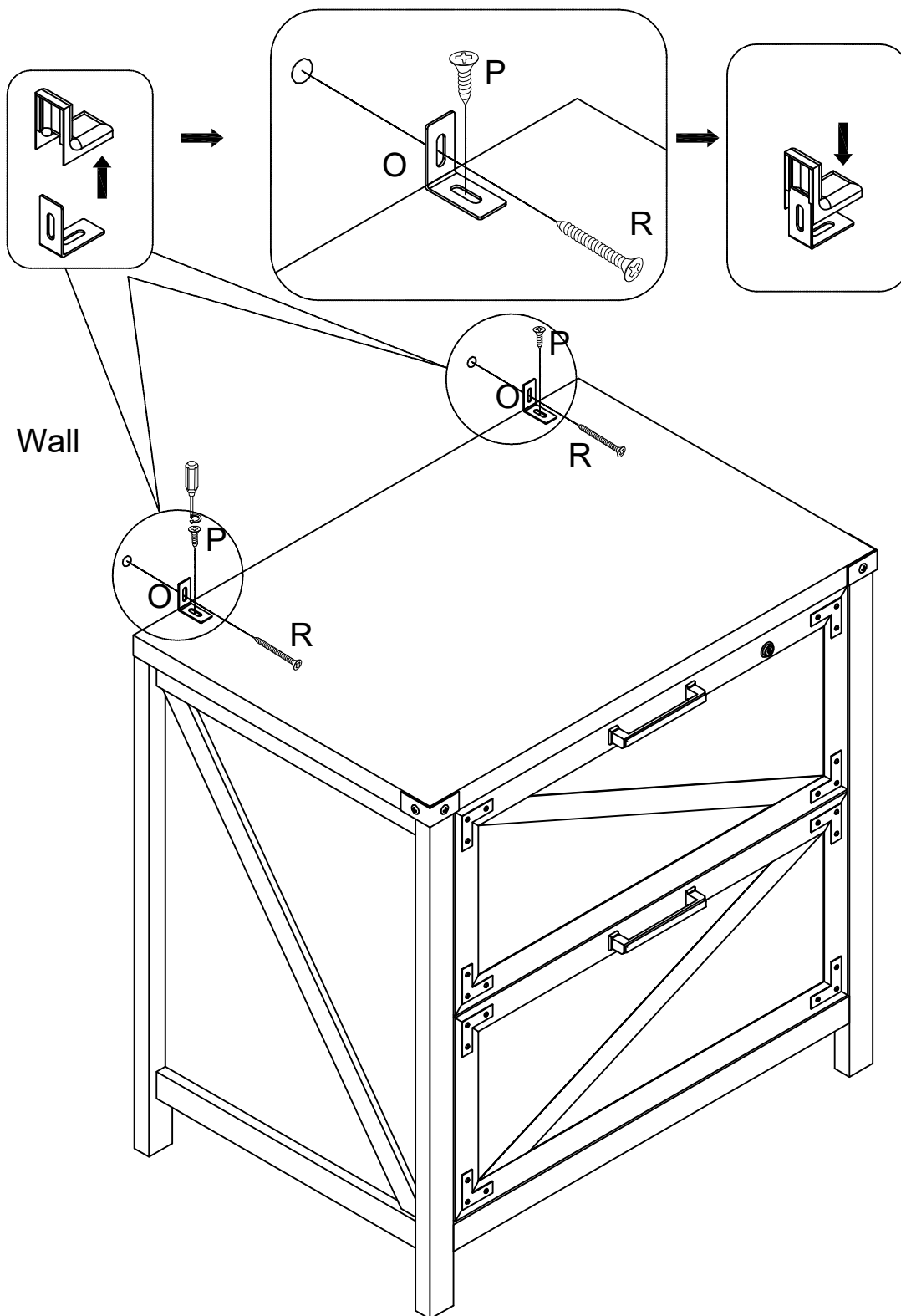





Step 27



S

X2

Step 28



O	P	R
		
X2	X2	X2

Step 29

