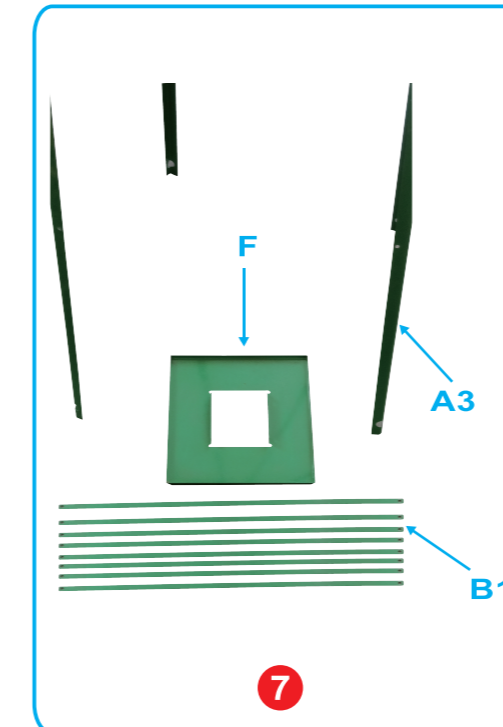
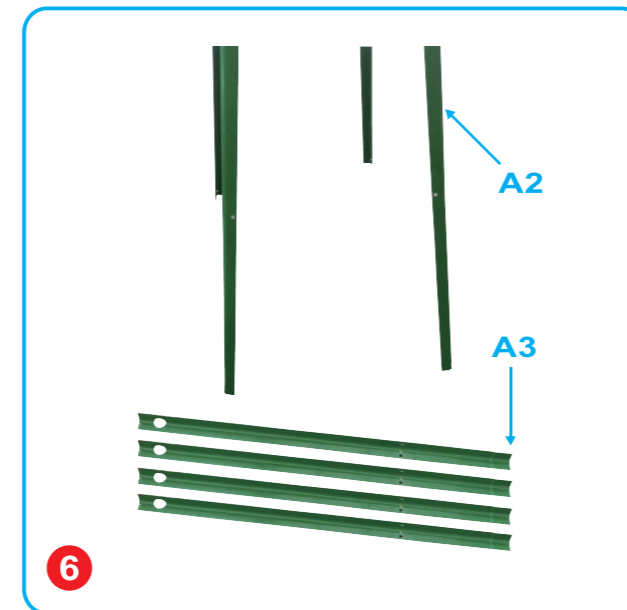
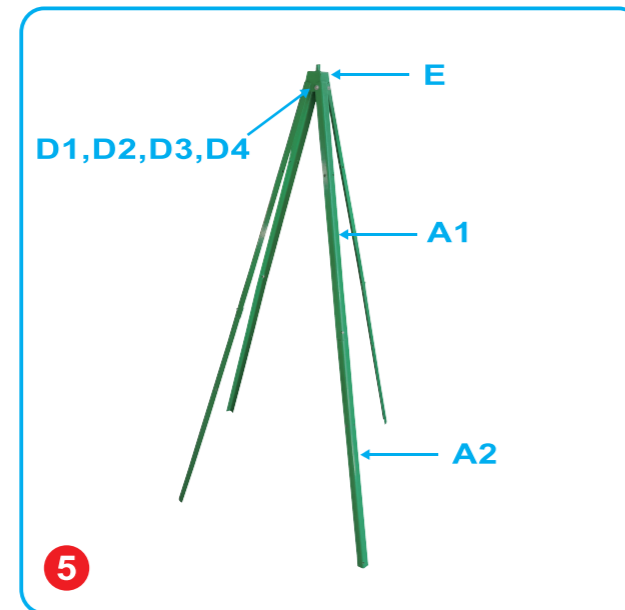
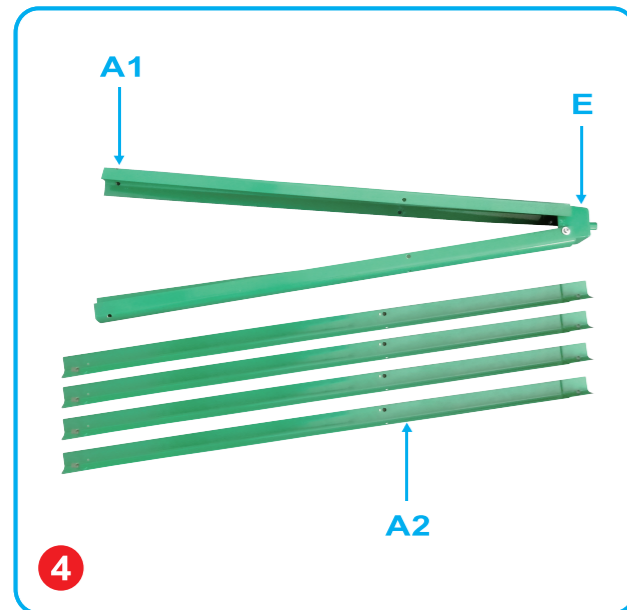
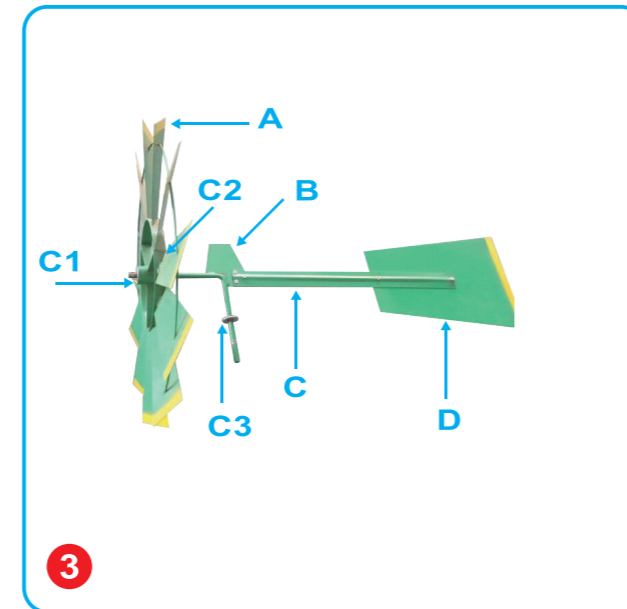
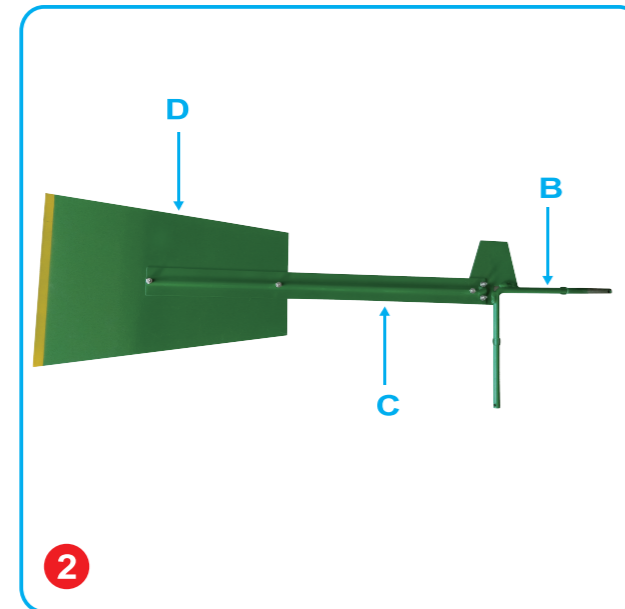
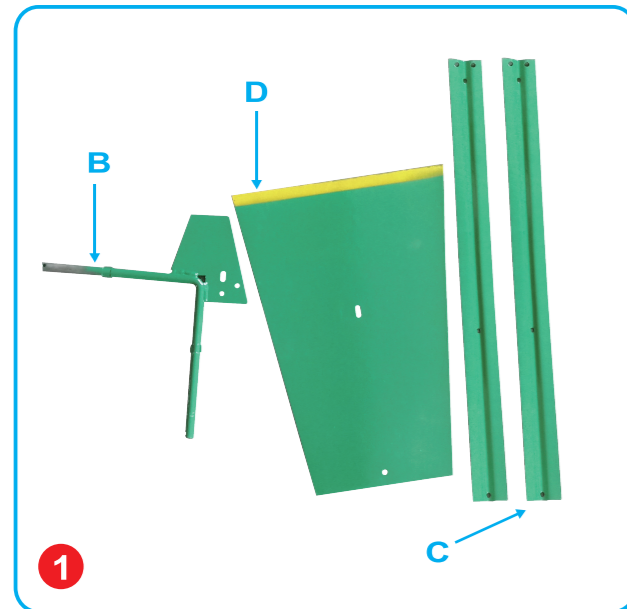


# ASSEMBLY INSTRUCTIONS FOR 8FT WINDMILL



PARTS LIST		
A	Wheel	1pc
B	Linker	1pc
C	Tiller	2pcs
D	Rudder	1pc
E	Master Head	1pc
F	Platform	1pc
A1	Corner Leg (28")	4pcs
A2	Corner Leg (29-1/4")	4pcs
A3	Corner Leg (29-1/4")	4pcs
B1	Brace (29-1/2")	16pcs
B2	Center Brace (12-2/5")	4pcs
B3	Lower Brace (19-1/2")	4pcs
G	Ground Stake	4pcs
Bolt and screw cap (D,E,F,G,H,I)		41sets
Big Washers (C1,C2,C3)		3PCS
Small Washers (D1,D2,D3,D4)		4PCS

