

H1
x8



T28
x4



T83
x4



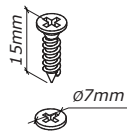
T99
x8



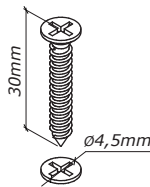
R40
x4



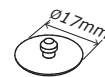
H2
x8



V5
x8



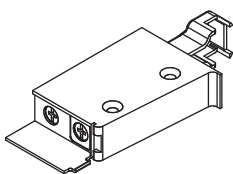
V85
x4



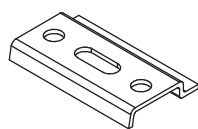
G57
x6



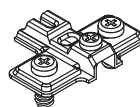
H113
x2



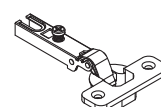
H143
x2



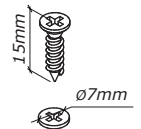
H91
x2



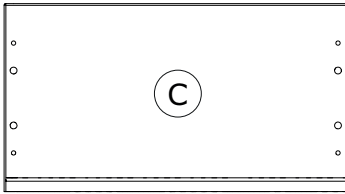
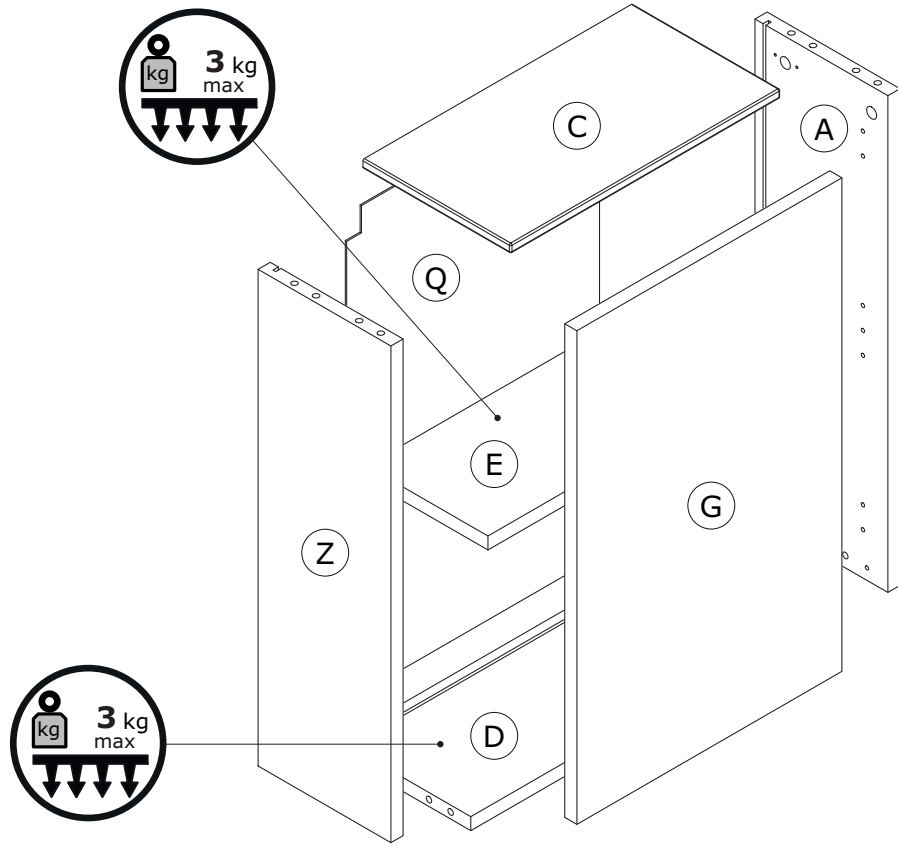
B9
x2



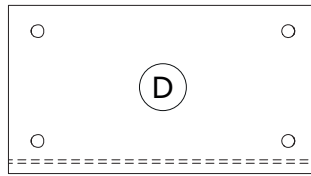
C1
x2



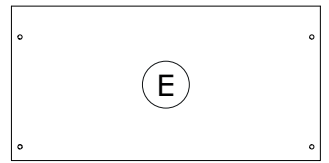
V5
x4



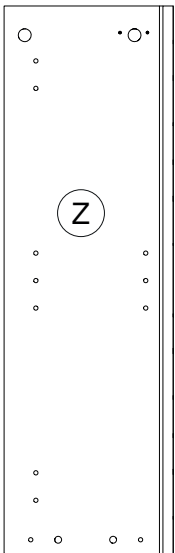
CA3615
400x219x12mm



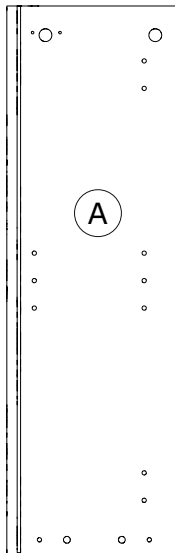
BA2201
360x196x18mm



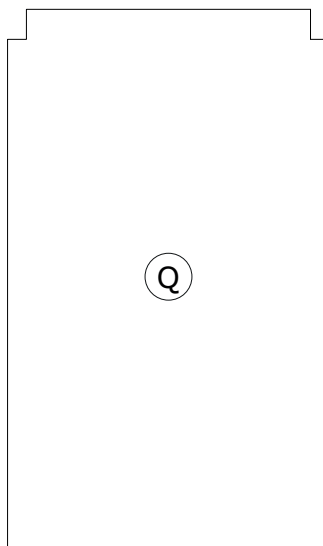
PI7184
360x180x18mm



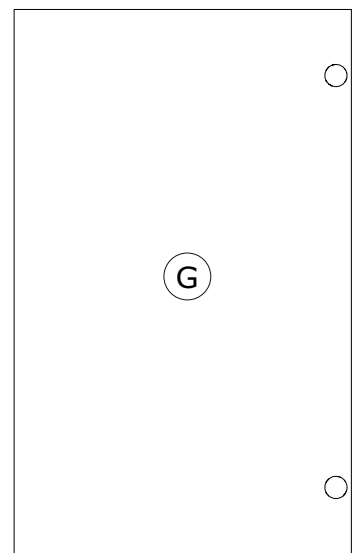
FI8744
638x197x18mm



FI8746
638x197x18mm

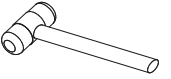


SS0761
626x375x2mm

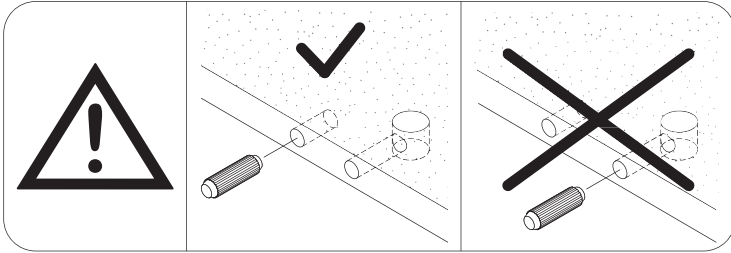
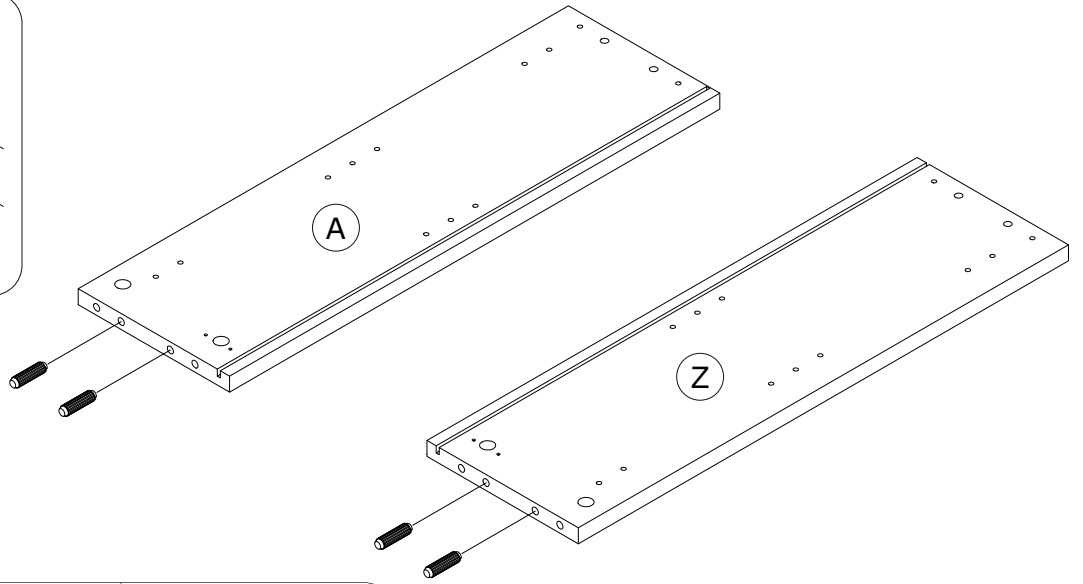
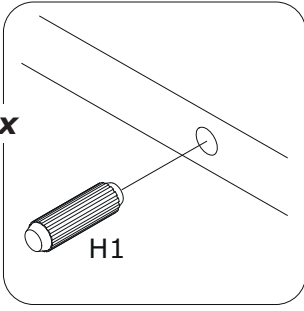


AN2941
634x393x18mm

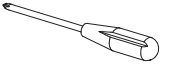
1



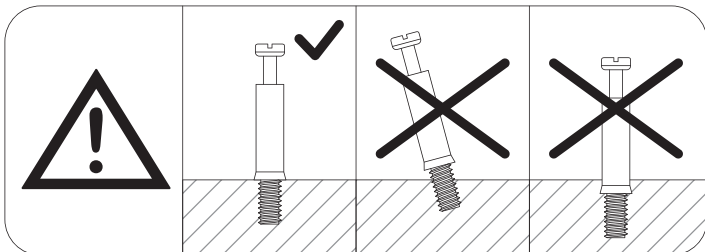
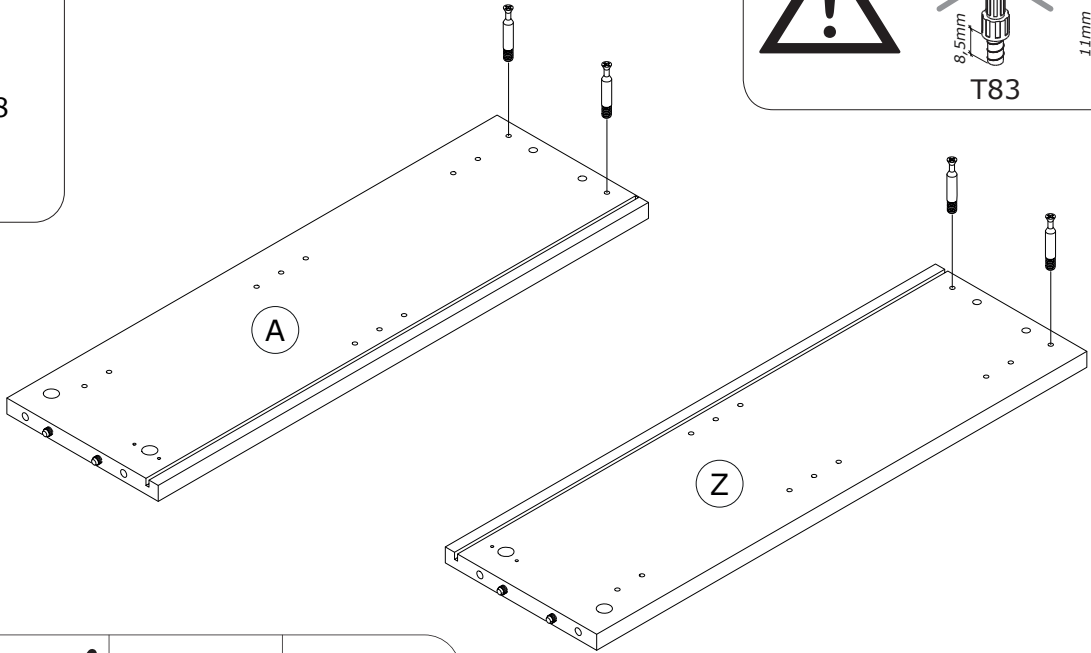
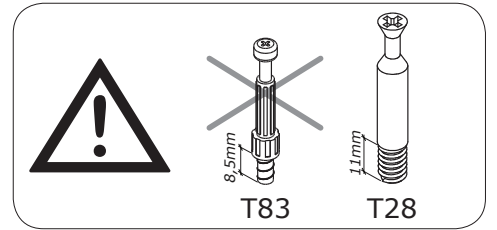
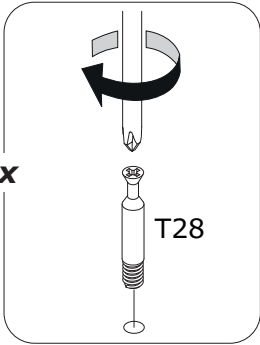
4x



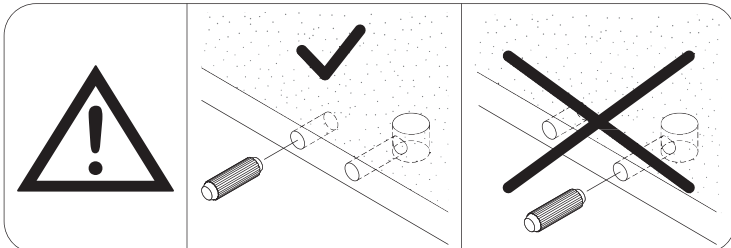
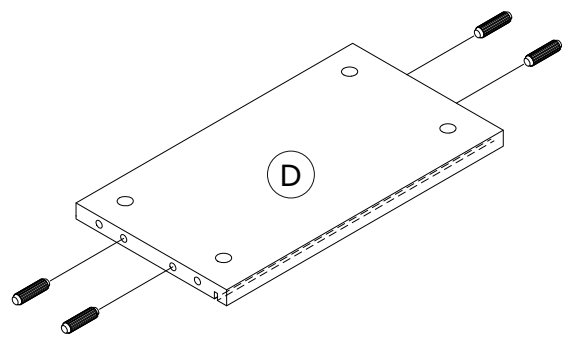
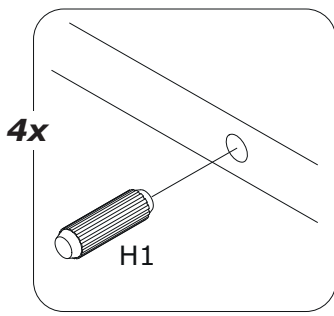
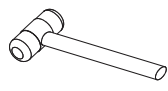
2



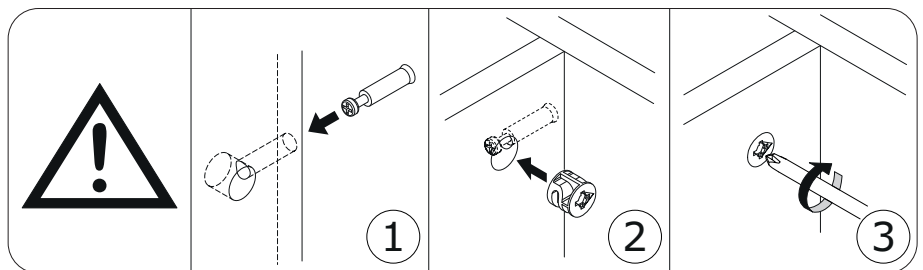
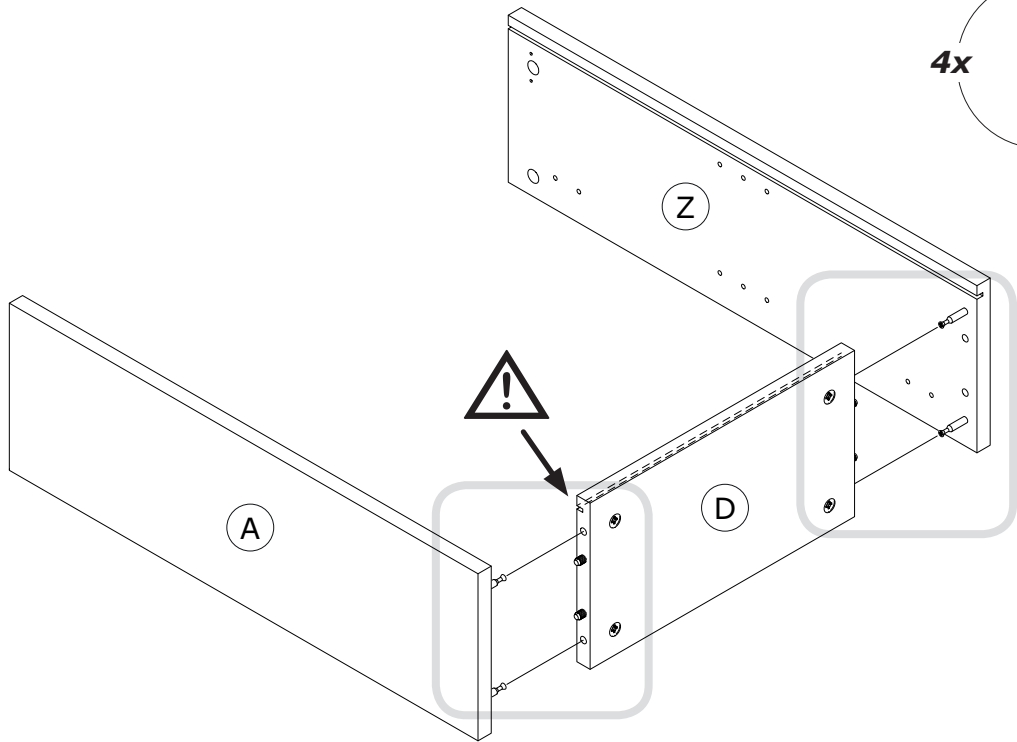
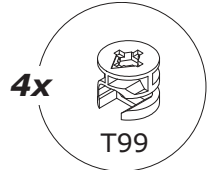
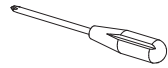
4x



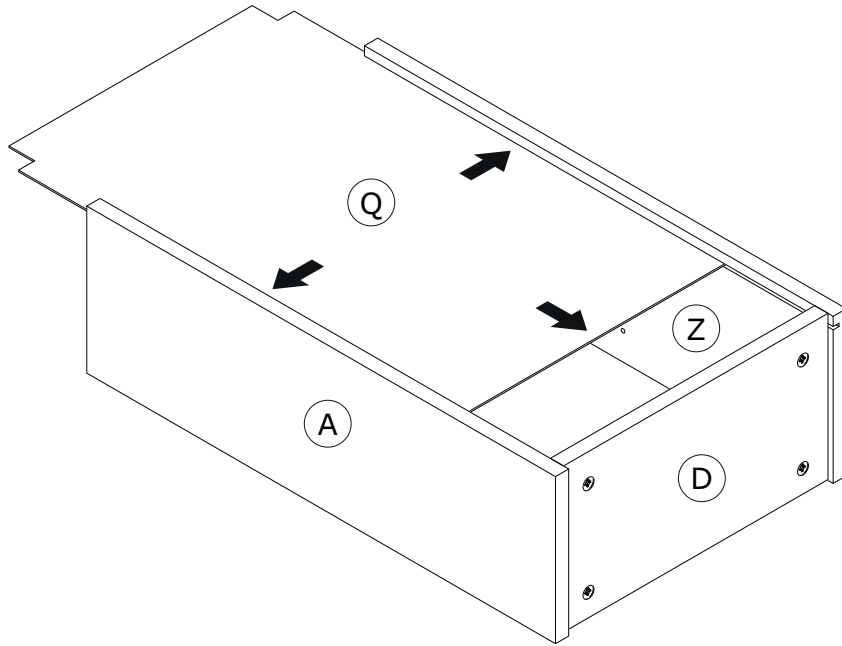
3



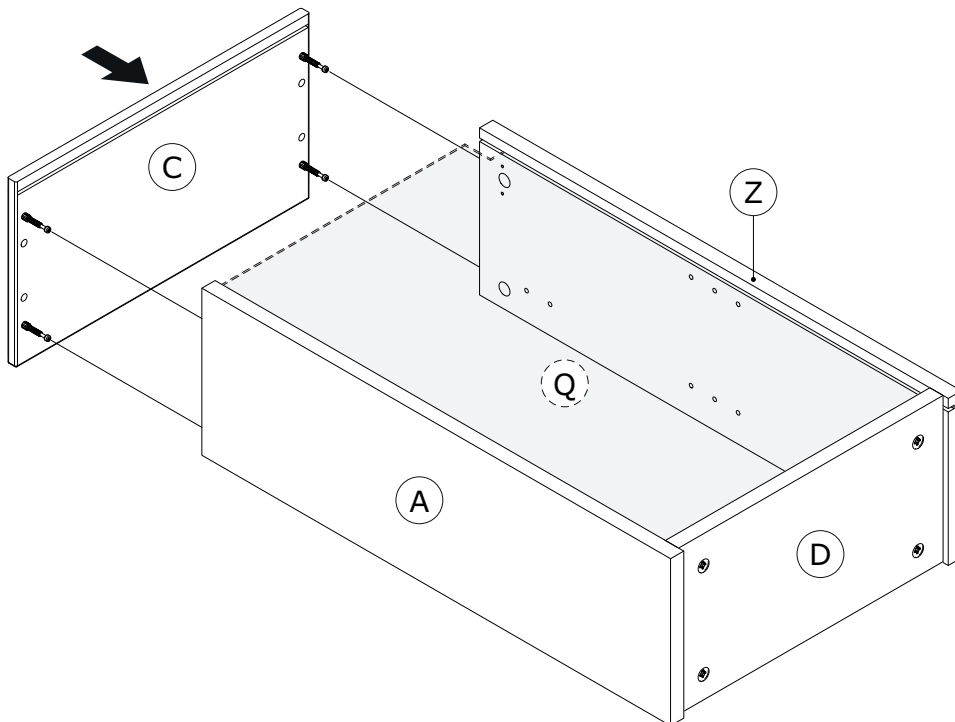
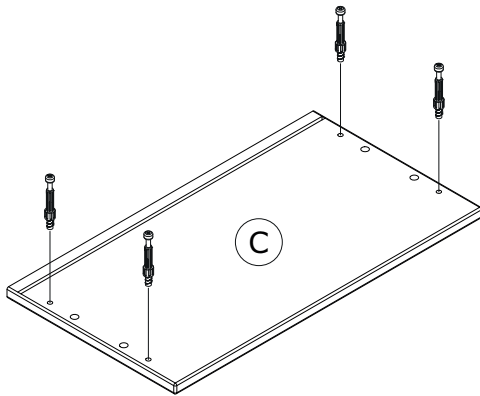
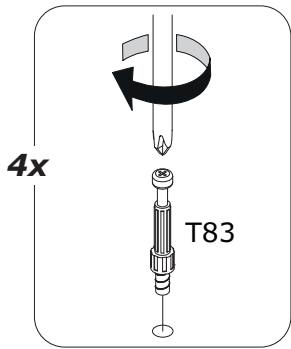
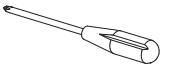
4



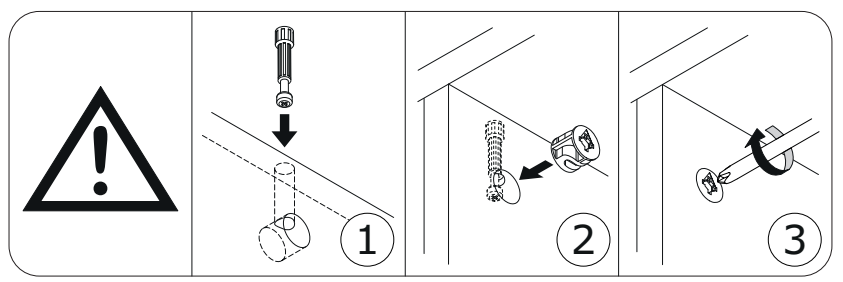
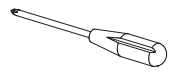
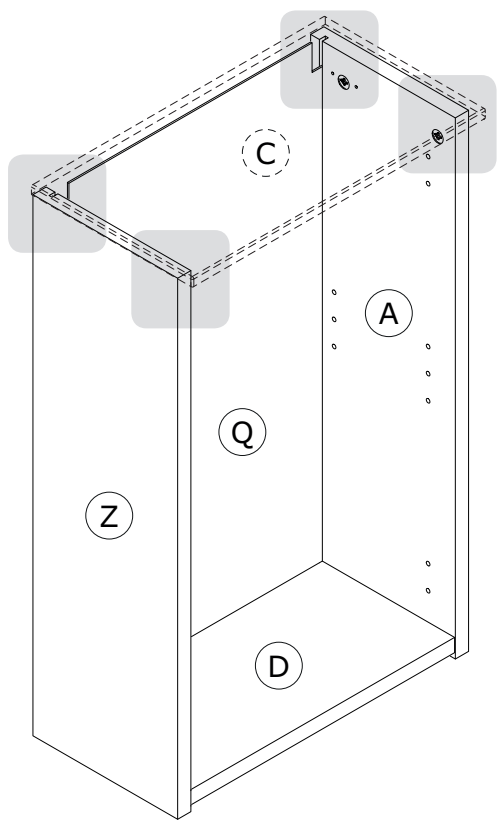
5



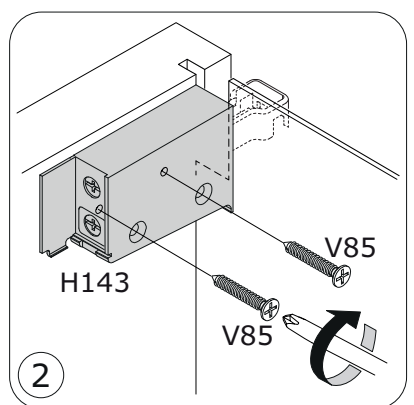
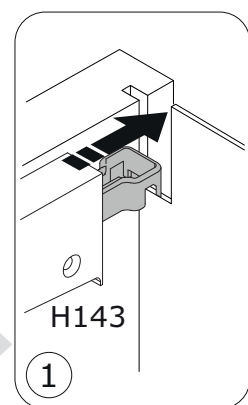
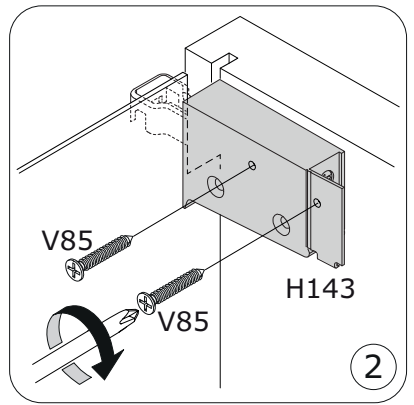
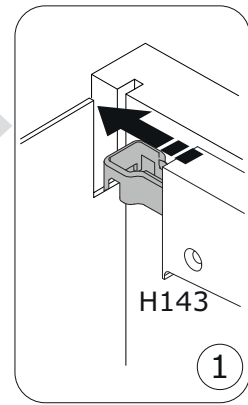
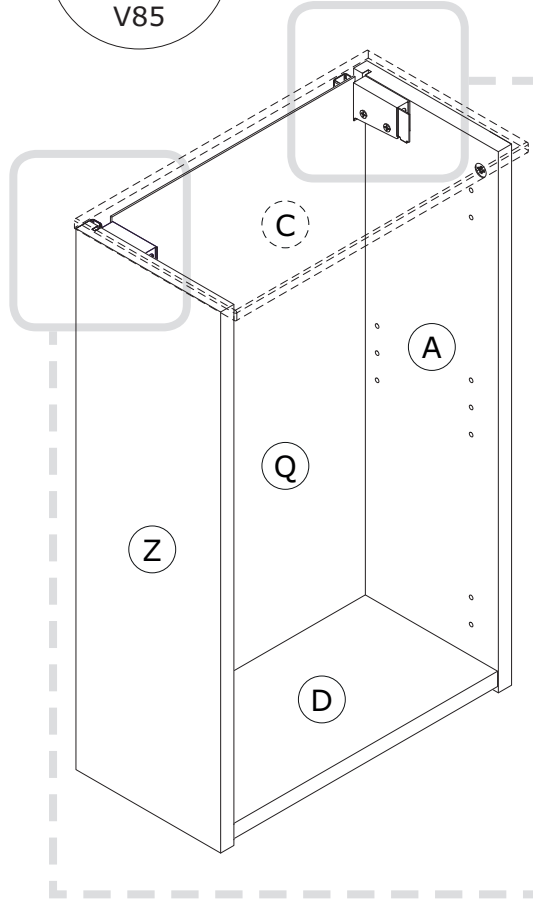
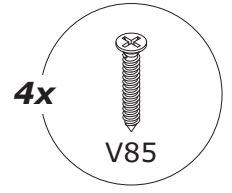
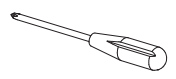
6



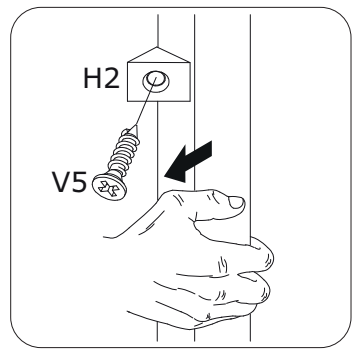
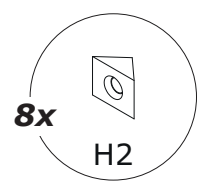
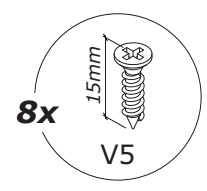
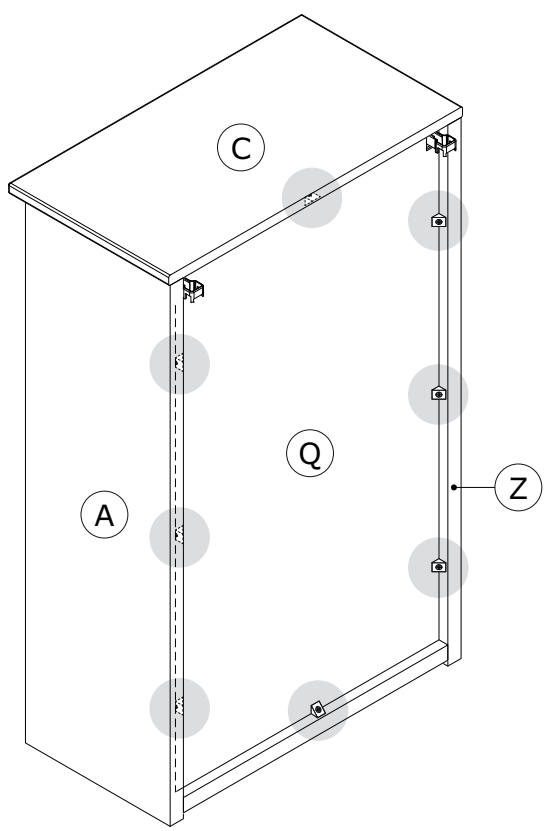
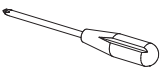
7



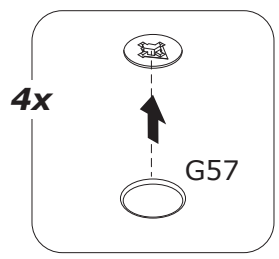
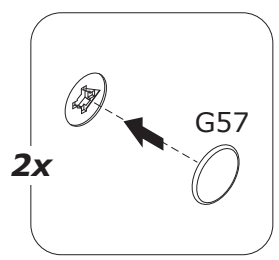
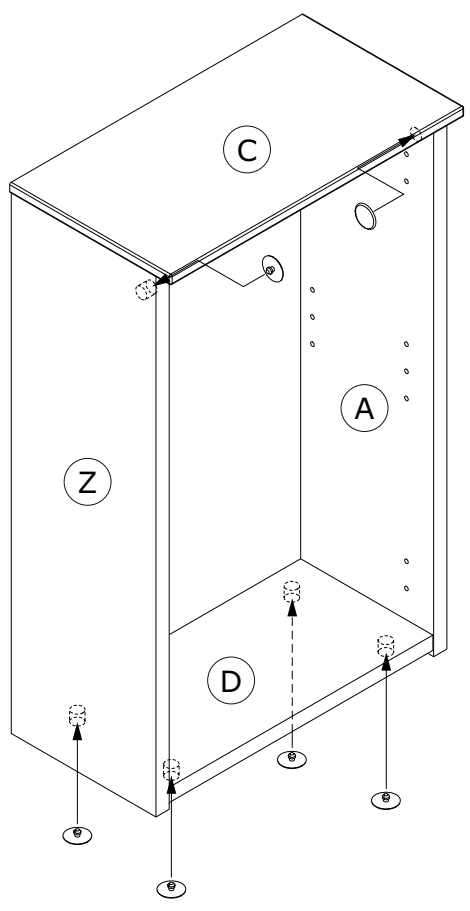
8



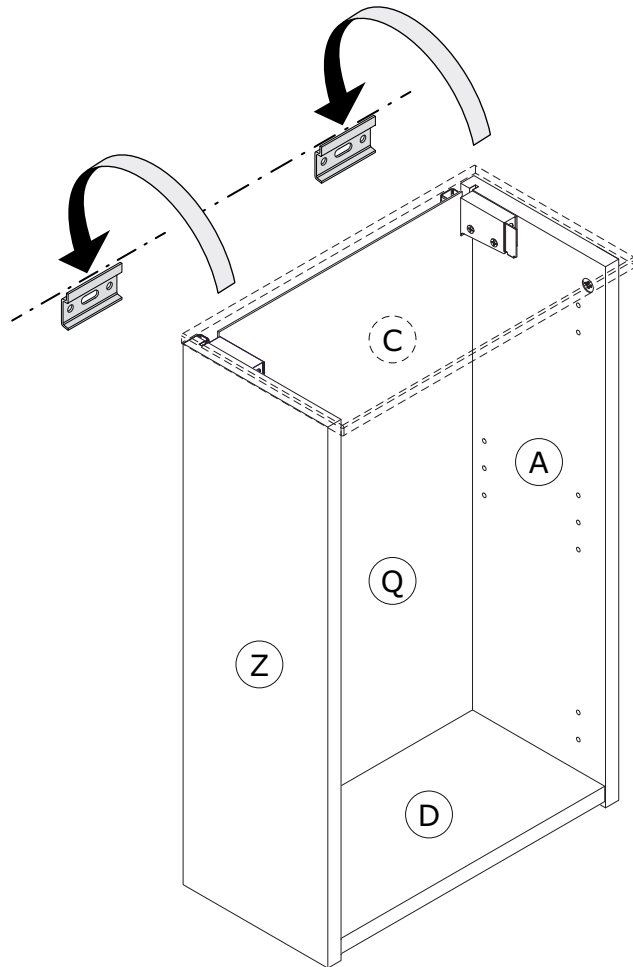
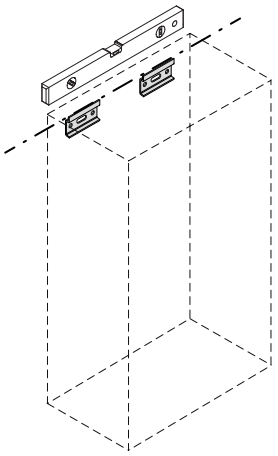
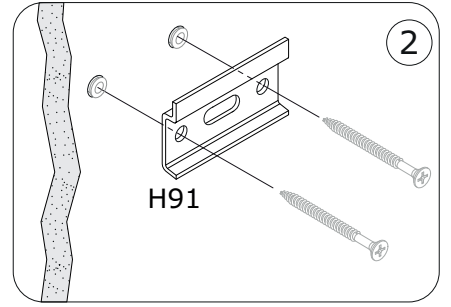
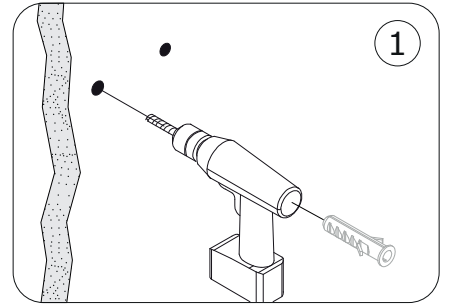
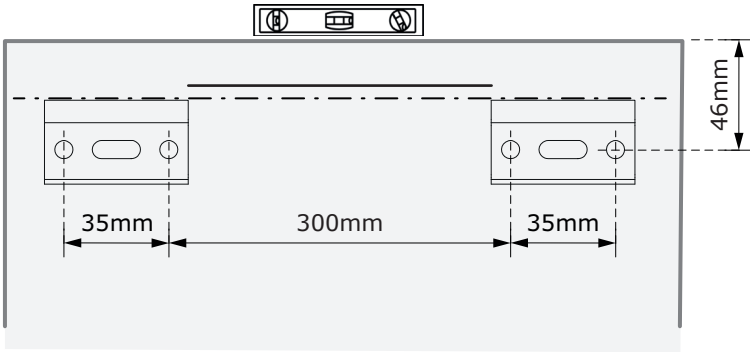
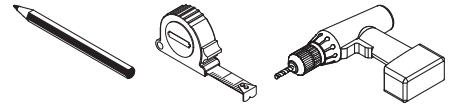
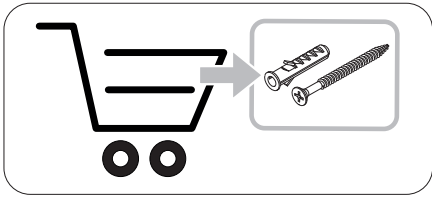
9



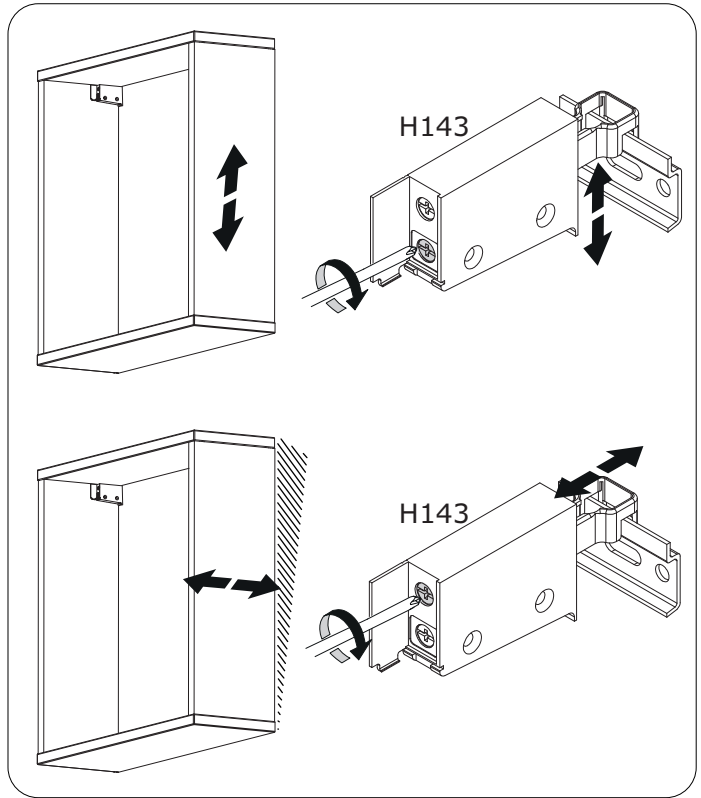
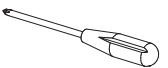
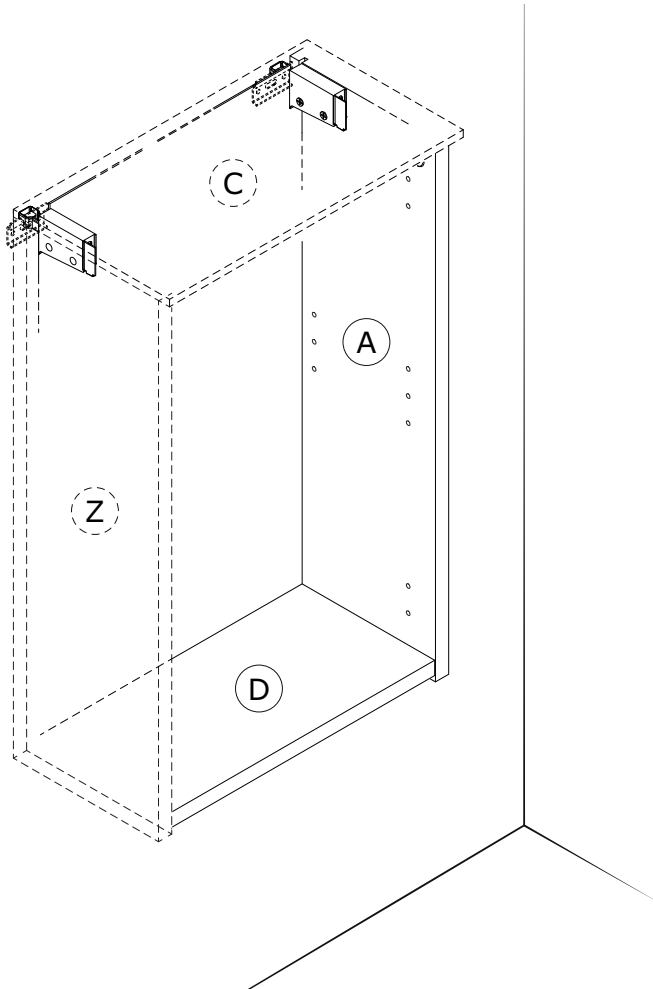
10



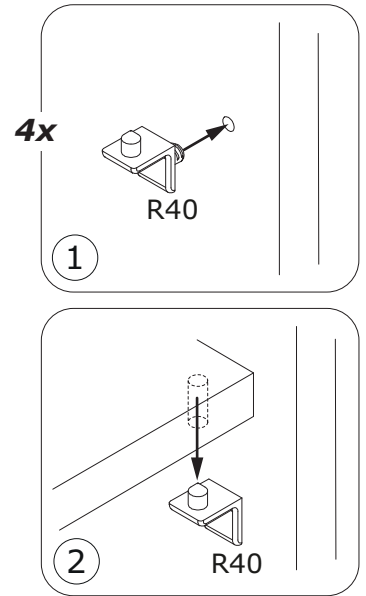
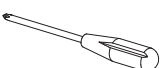
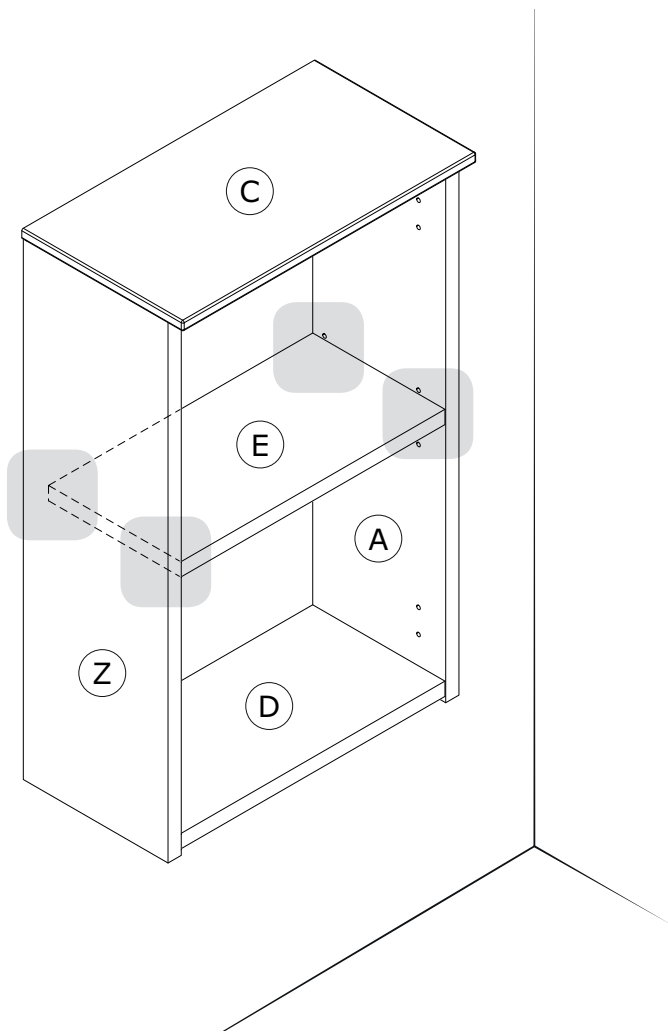
11

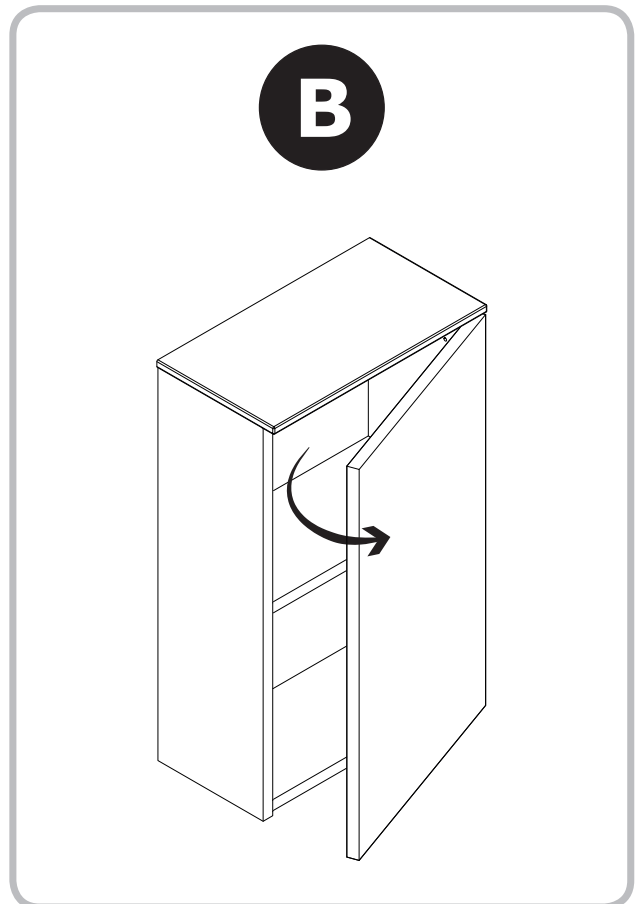
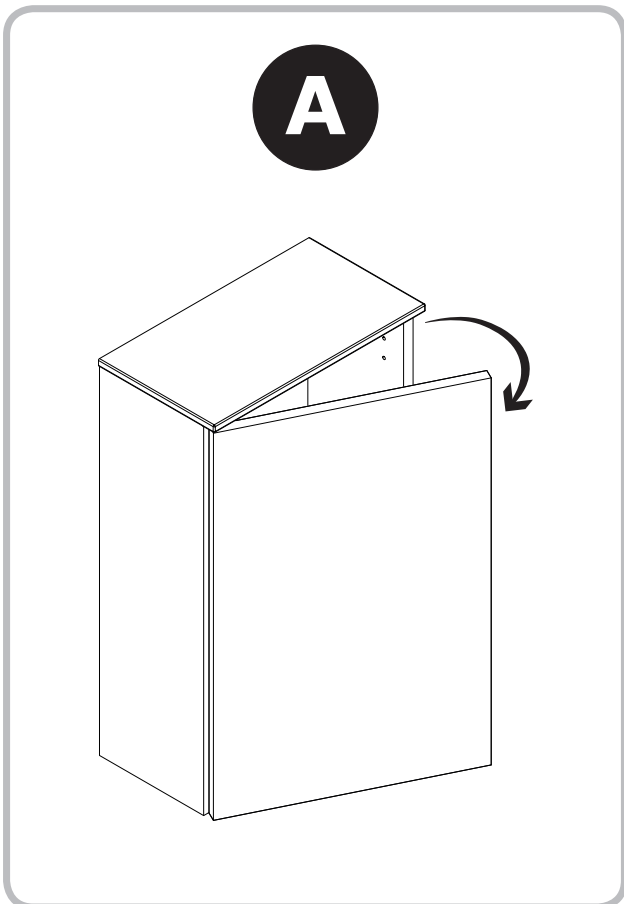
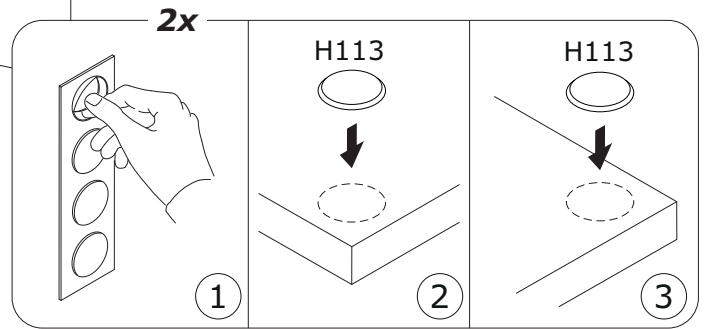
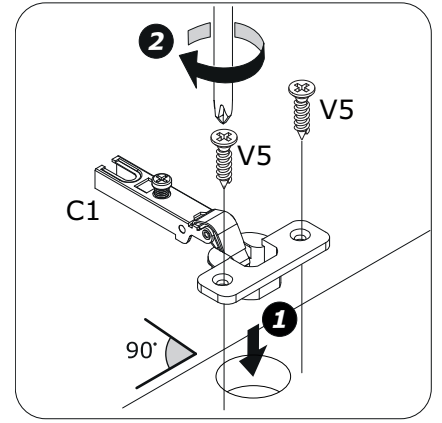
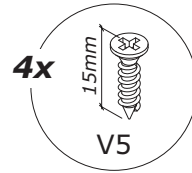
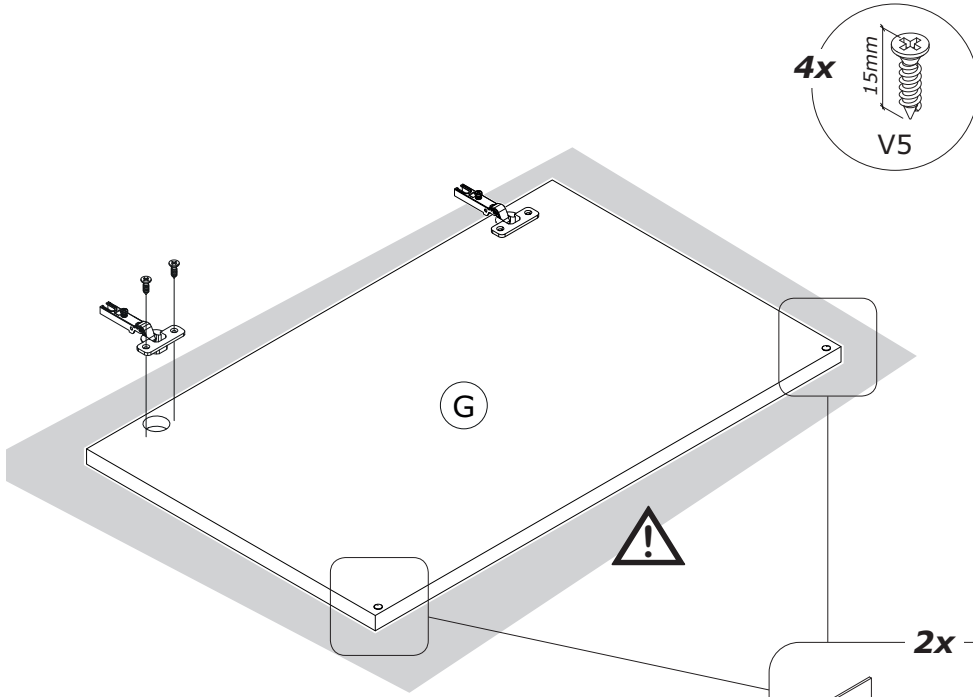
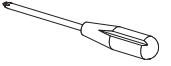


12

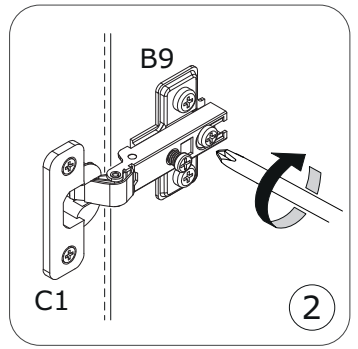
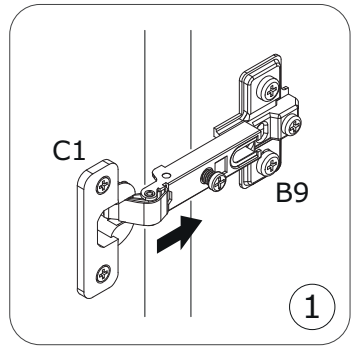
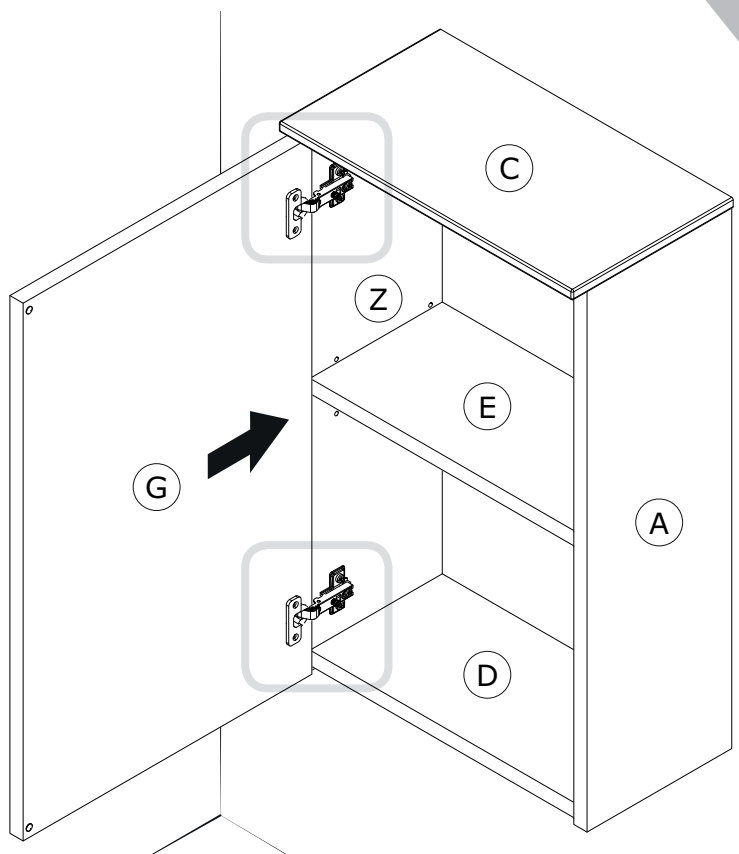
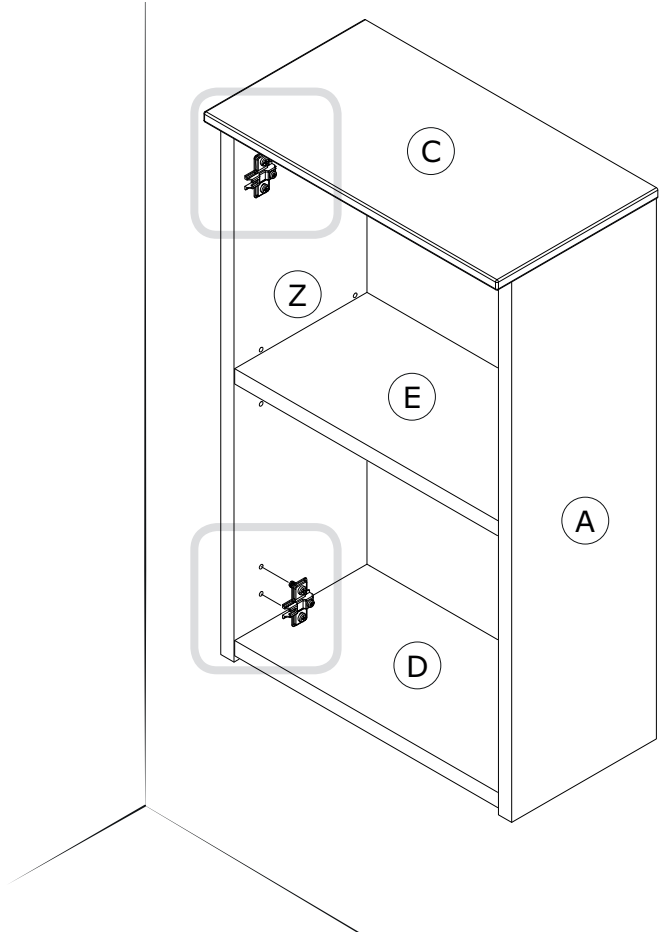
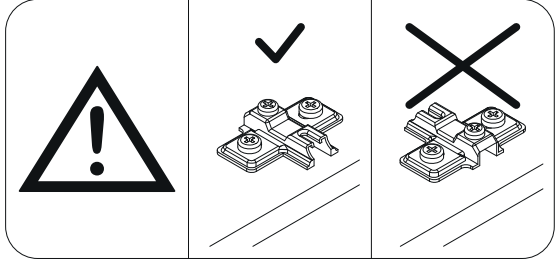
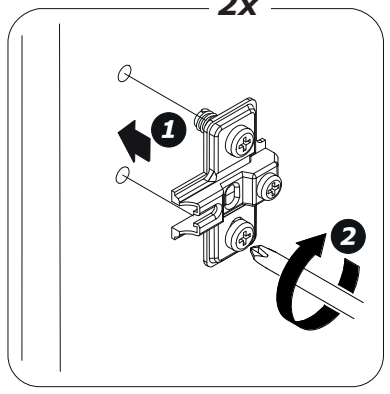
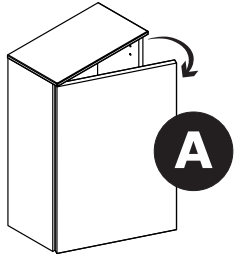
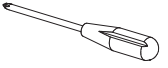


13





15 - A



15 - B

