

# ASSEMBLY INSTRUCTIONS



*Fine Furniture for every stage of life*

## *Dining Side Chair*

REVISION 0 : 02/18/2010  
REVISION 1 : 11/27/2012  
REVISION 2 : 10/01/2014  
REVISION 3 : 10/21/2014  
REVISION 4 : 07/29/2015  
REVISION 5 : 10/31/2018  
REVISION 6 : 06/10/2019

# ASSEMBLY INSTRUCTIONS

## ASSEMBLY TIPS:

1. Remove hardware from box and sort by size.
2. Please check to see that all hardware and parts are present prior to start of assembly.
3. Please follow attached instructions in the same sequence as numbered to assure fast & easy assembly.



### WARNING!


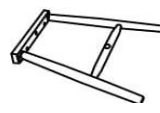
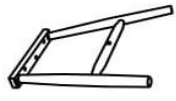

1. Don't attempt to repair or modify parts that are broken or defective. Please contact the store immediately.
2. This product is for home use only and not intended for commercial establishments.



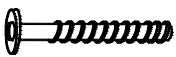




ASSEMBLY TIME

15 MINUTES

## PARTS IDENTIFICATION

A	SEAT AND BACK		1PC
BL	LEFT LEG FRAME (Semi K/D Construction)		1PC
BR	RIGHT LEG FRAME (Semi K/D Construction)		1PC
C	STRETCHER		1PC

## HARDWARE IDENTIFICATION

1	BOLT (M6 x 50mm - RBW)		2PCS
2	BARREL NUT (M6 x 13mm - SILVER)		2PCS
3	FLAT HEAD SCREW (M7 x 35mm - RBW)		6PCS
4	ALLEN WRENCH (M4 - BLK)		1PCS
5	WOOD PLUG		2PCS

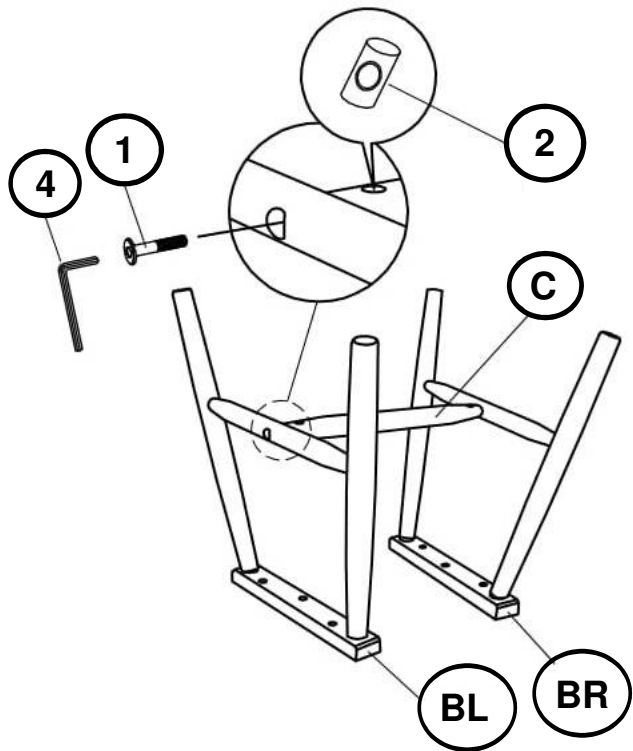
### NOTE:

Quantities shown are for one chair.

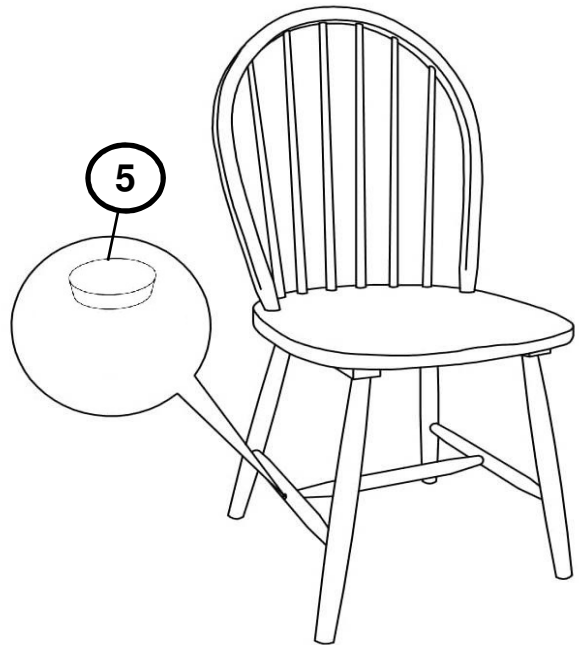
Phillips head screw driver is required in the assembly process; however, manufacturer does not provide this item.

# ASSEMBLY INSTRUCTIONS

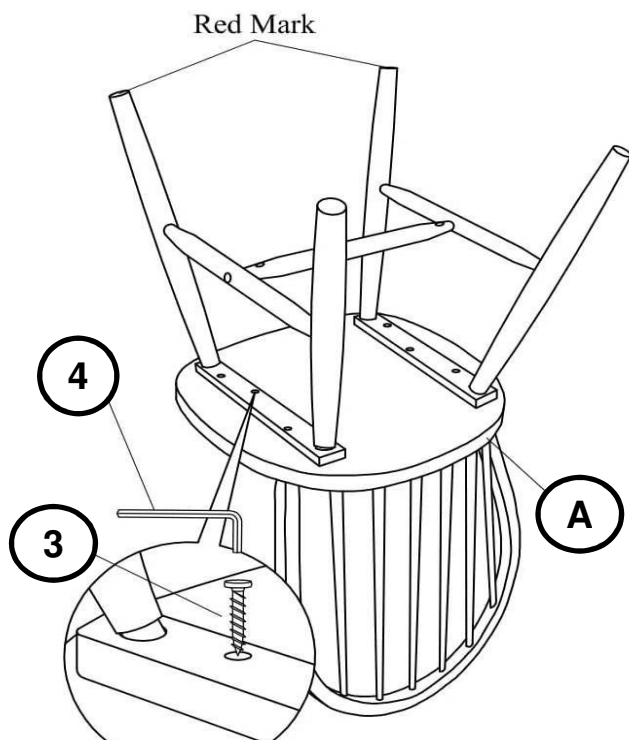
## STEP 1



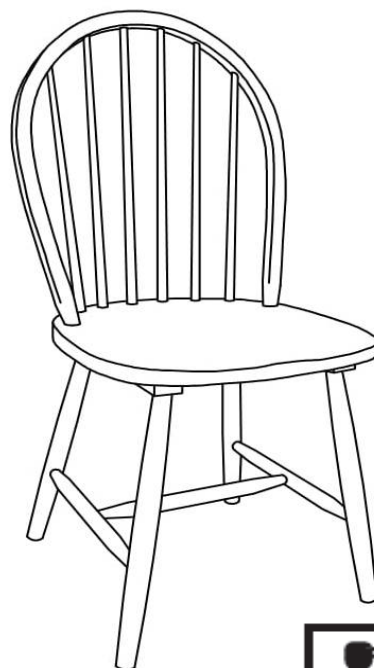
## STEP 3

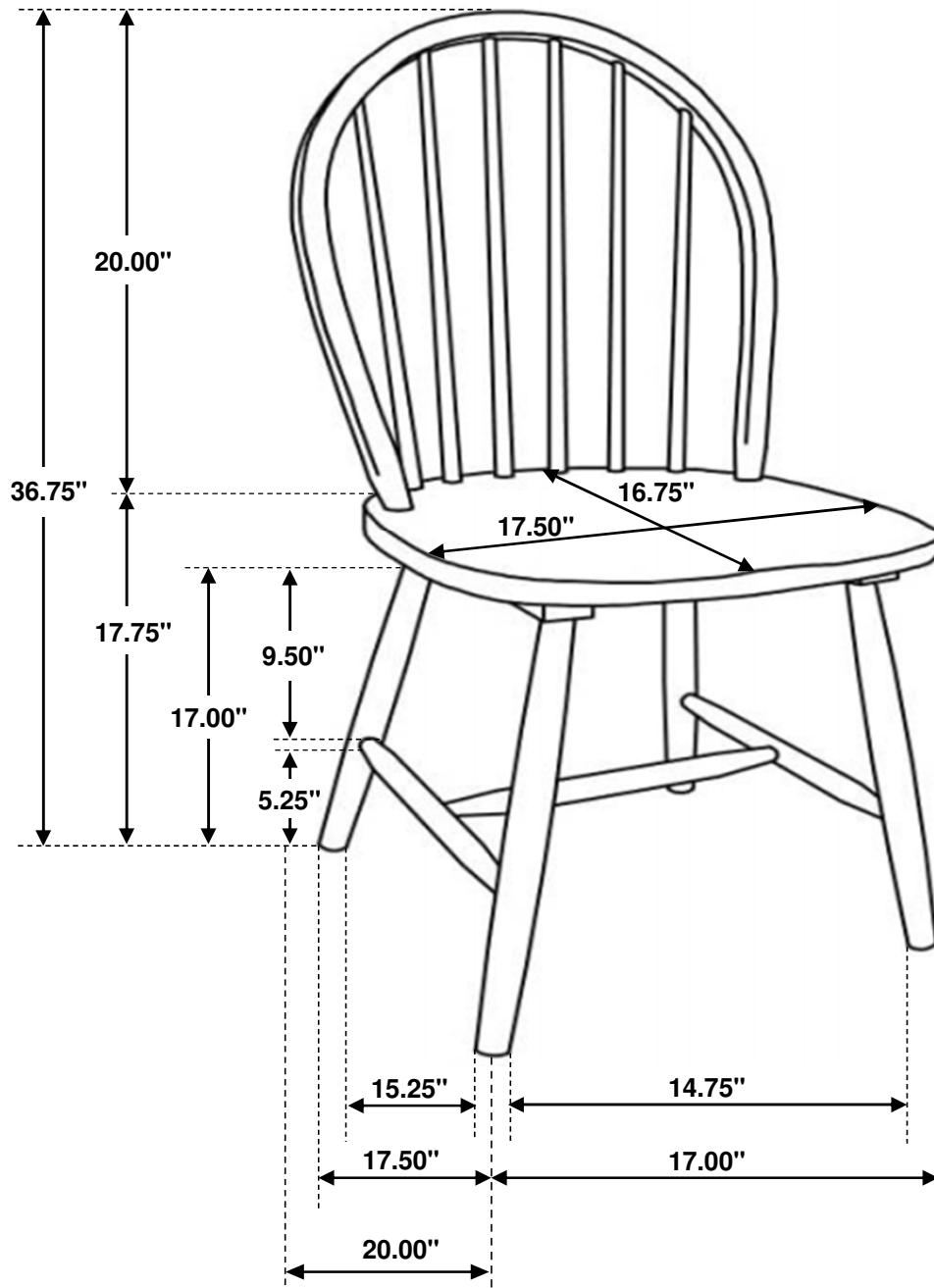


## STEP 2



## STEP 4 **COMPLETE**





**Note : Dimension tolerance  $\pm 5\%$**