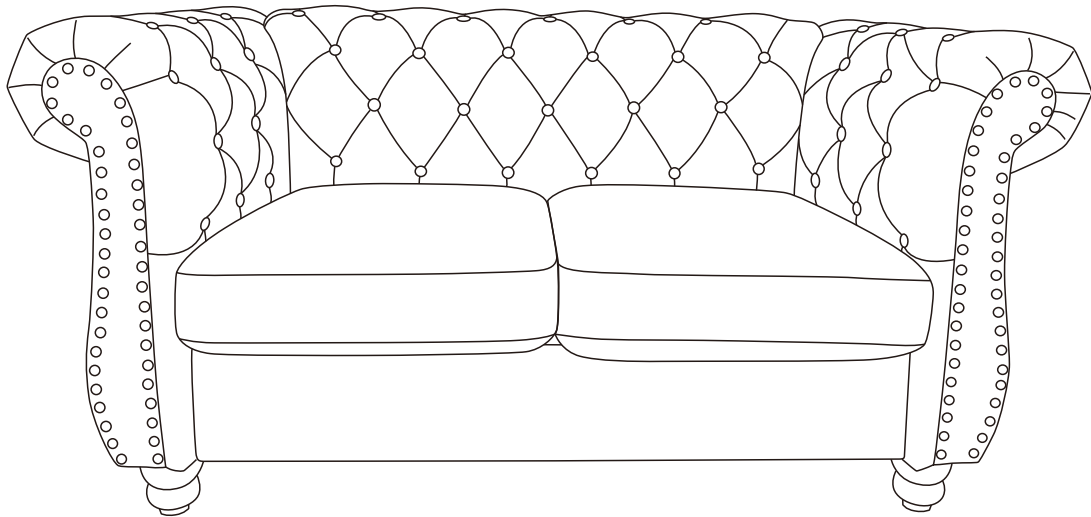
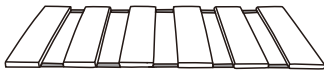


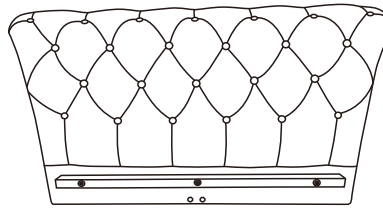
ASSEMBLY INSTRUCTION FOR
S5677 S5678 S5679 S5680 S5681 S5682 LOVESEAT



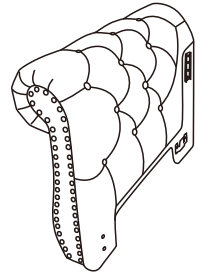
Components List



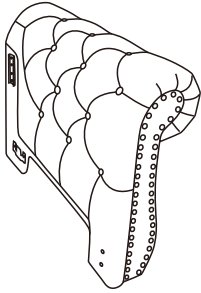
Hx1
Bed Slat



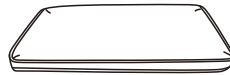
ix1
Sofa Back



J-Lx1
Left arm



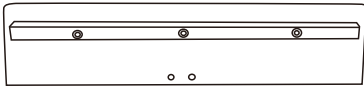
J-Rx1
Right arm



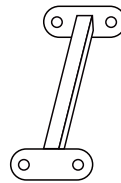
Kx2
Seat cushion cover



K1x2
Seat cushion filler



Lx1
Front plate of the seat



Mx1
Connecting rod of the seat

HARDWAES LIST

A M8x20mm



Bolt X12

B



Flat Washer X12

C



Allen key X1

D



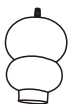
Washer X4

E



Felt Pad X4

F



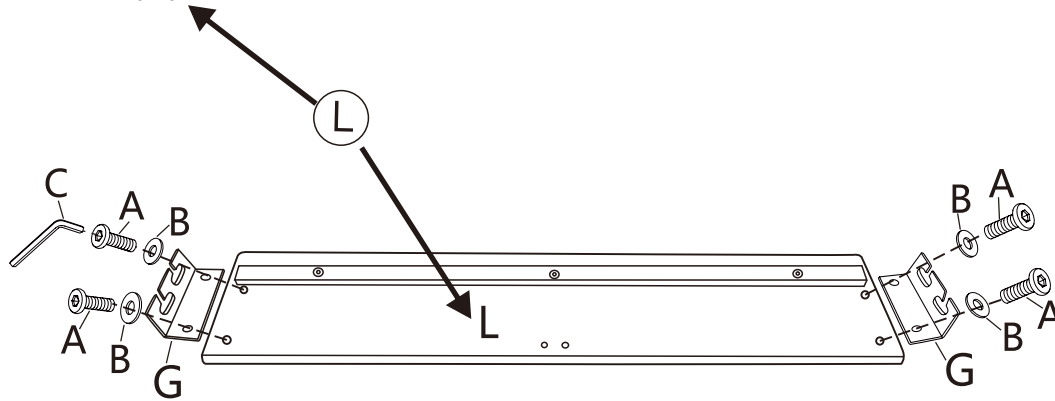
Leg X4





G



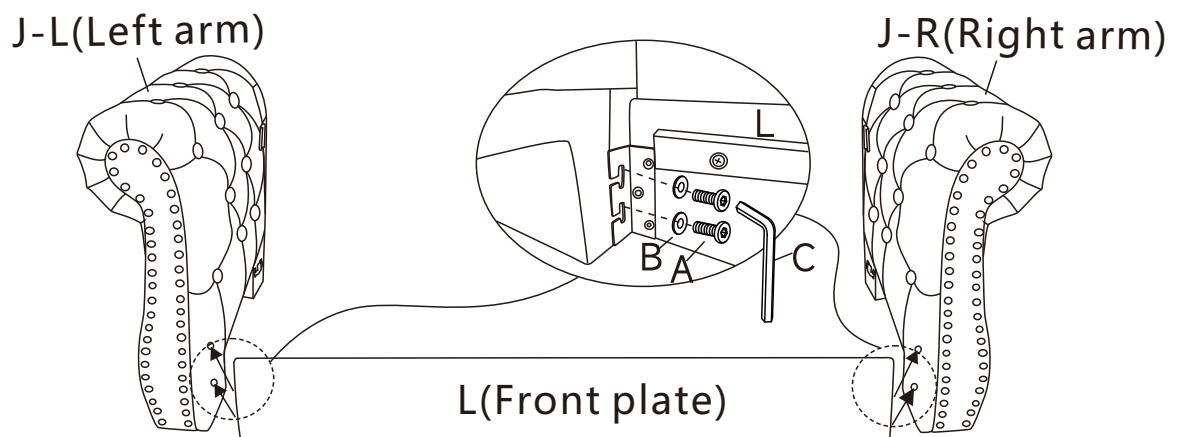
Metal connector X2

STEP 1: Use the Allen Key (C) to tighten the 2 pieces of Bolts (A) and 2 pieces of Flat Washer (B) to secure the metal connector (G) to the Front plate of the seat(L).



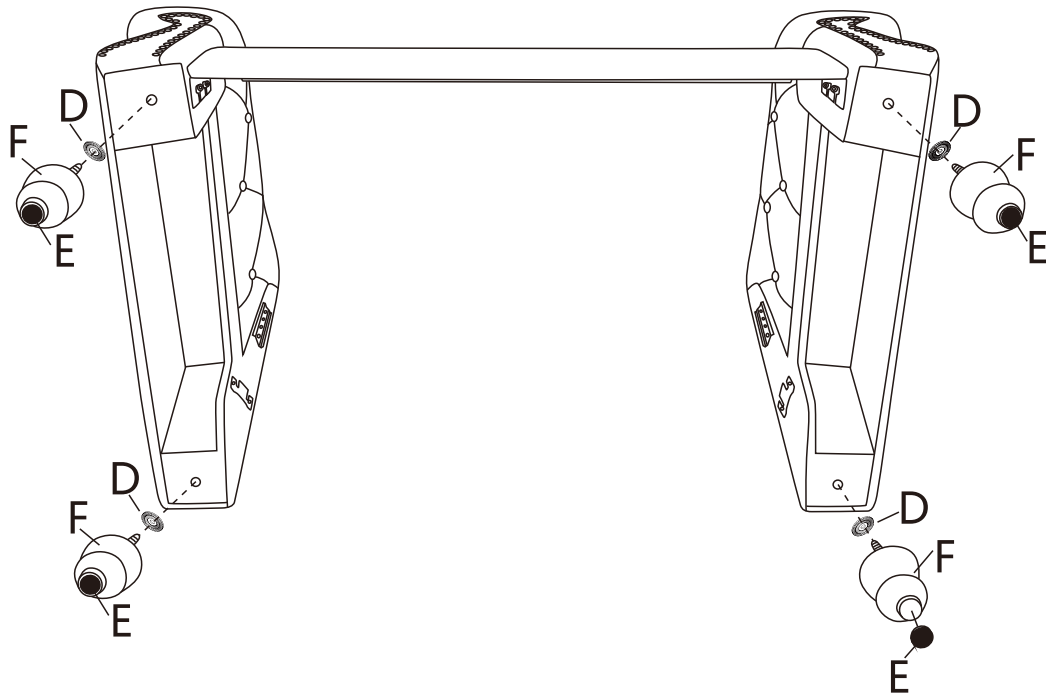
	Ax4
	Bx4
	Cx1
	Gx2




STEP 2: Use Allen key (C) to tighten the Metal connector (G) with 4 pieces of Bolt (A) and 4 pieces Flat Washer (B) to secure the Left arm (J-L) and Right arm (J-R) to the Front plate of the seat (L) as shown.



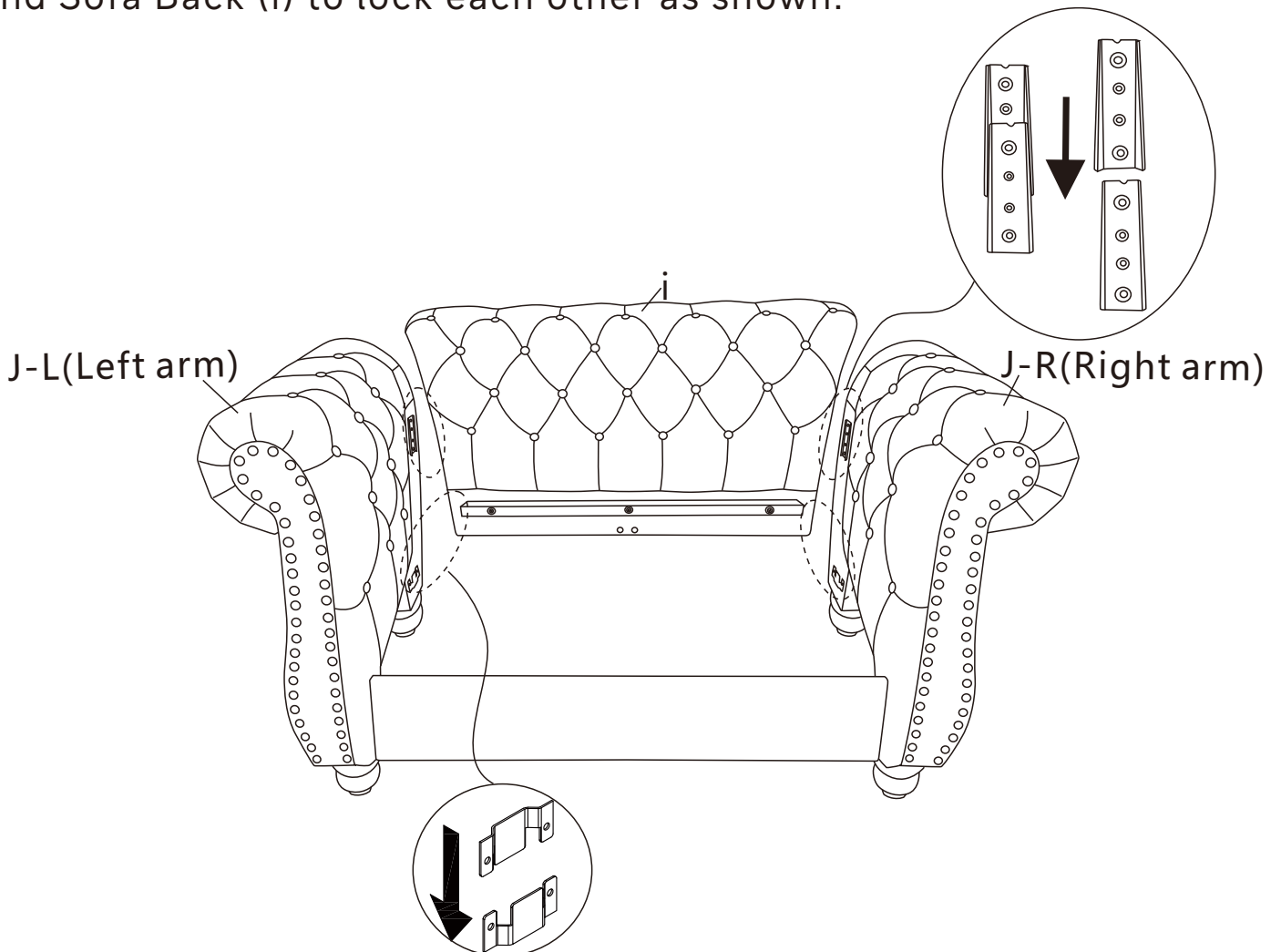
	Ax4
	Bx4
	Cx1

STEP 3: Tighten 4 pieces of Washer (D) and Legs (F) to the bottom of the Sofa Seat clockwise as shown by hand. Then stick 4 pieces of the Felt Pads (E) to the bottom of the Legs (F).

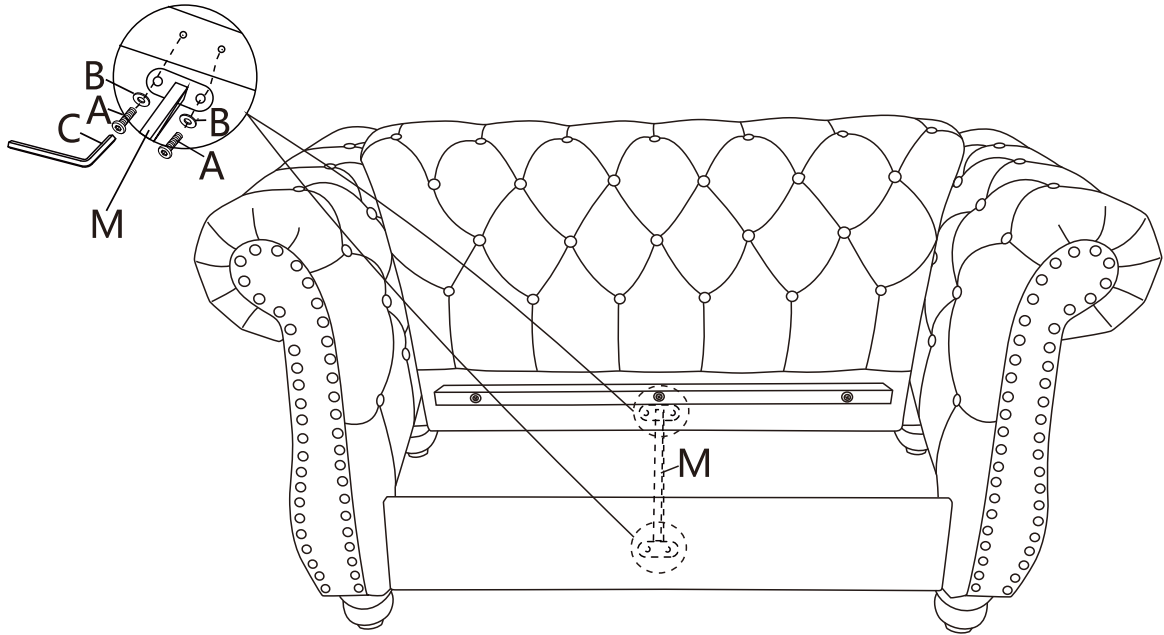


	Dx4
	Ex4
	Fx4

STEP 4: Insert Sofa Back (i) to Left Arm (J-L) and Right Arm (J-R) by using the pre-installed Clips on Left Arm (J-L), Right Arm (J-R) and Sofa Back (i) to lock each other as shown.

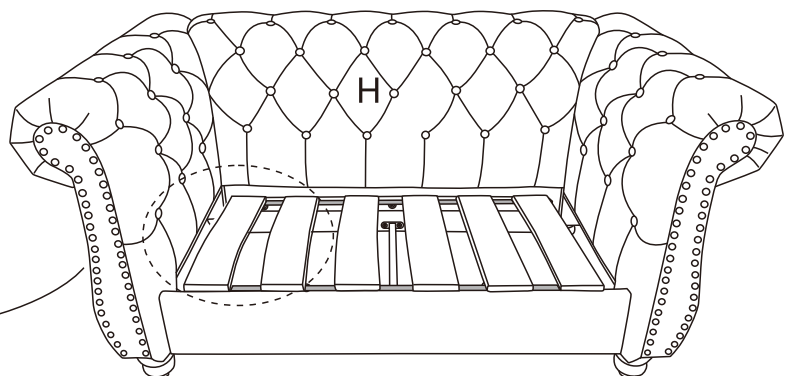
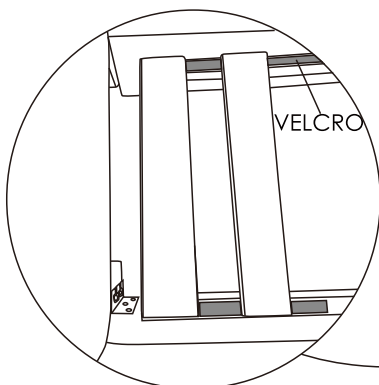
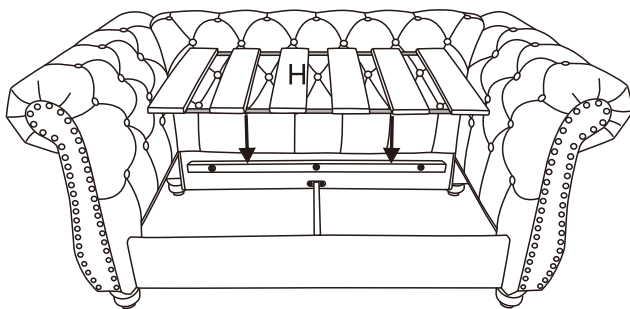


STEP 5: Use Allen Key (C) to tighten Connecting rod of the seat (M) to the Sofa Back (i) and Front plate of the seat (L) with 4 pieces of Bolt (A) and 4 pieces Flat Washer (B).



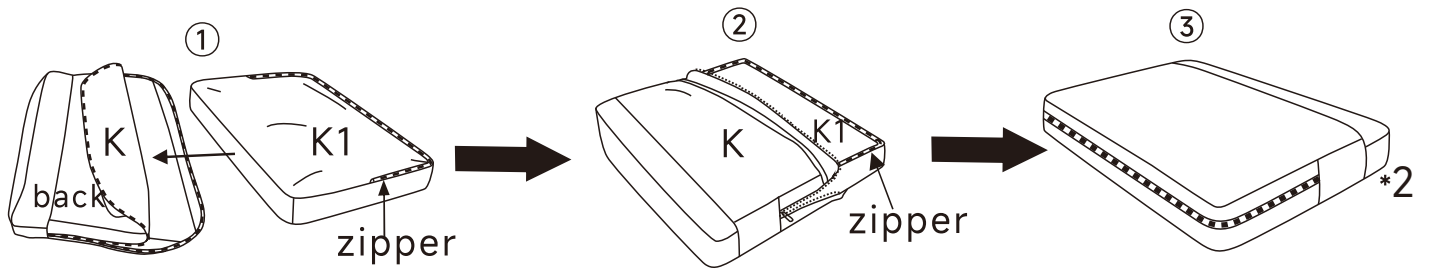
	Ax4
	Bx4
	Cx1

STEP 6: Carefully to open the Bed slat (H) and lay out them flat on the seat frame, then secure them with velcro on the seat frame

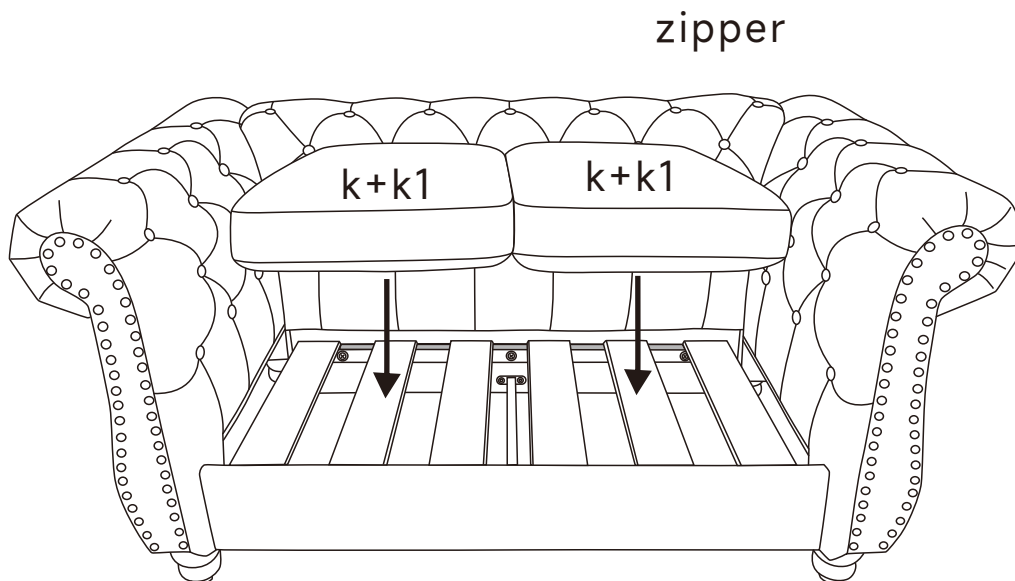


STEP 7: Carefully open the Seat cushion cover (K) zipper, put the Seat cushion filler (K1) into the Seat cushion cover (K), then zip up the zipper.

Attention: The Seat cushion filler is in compression package. Just take out and plump up for 72 hours around is better for reaching its full size. Follow the assembly instructions to assemble after reach its full size.



STEP 8: Carefully put 2 pieces of seat cushions (K+K1) flat them on the Bed slat (H).



STEP 9 : Remove the protective strip of the Velcro on the back of sofa, then tight the Velcro to the armrest.

