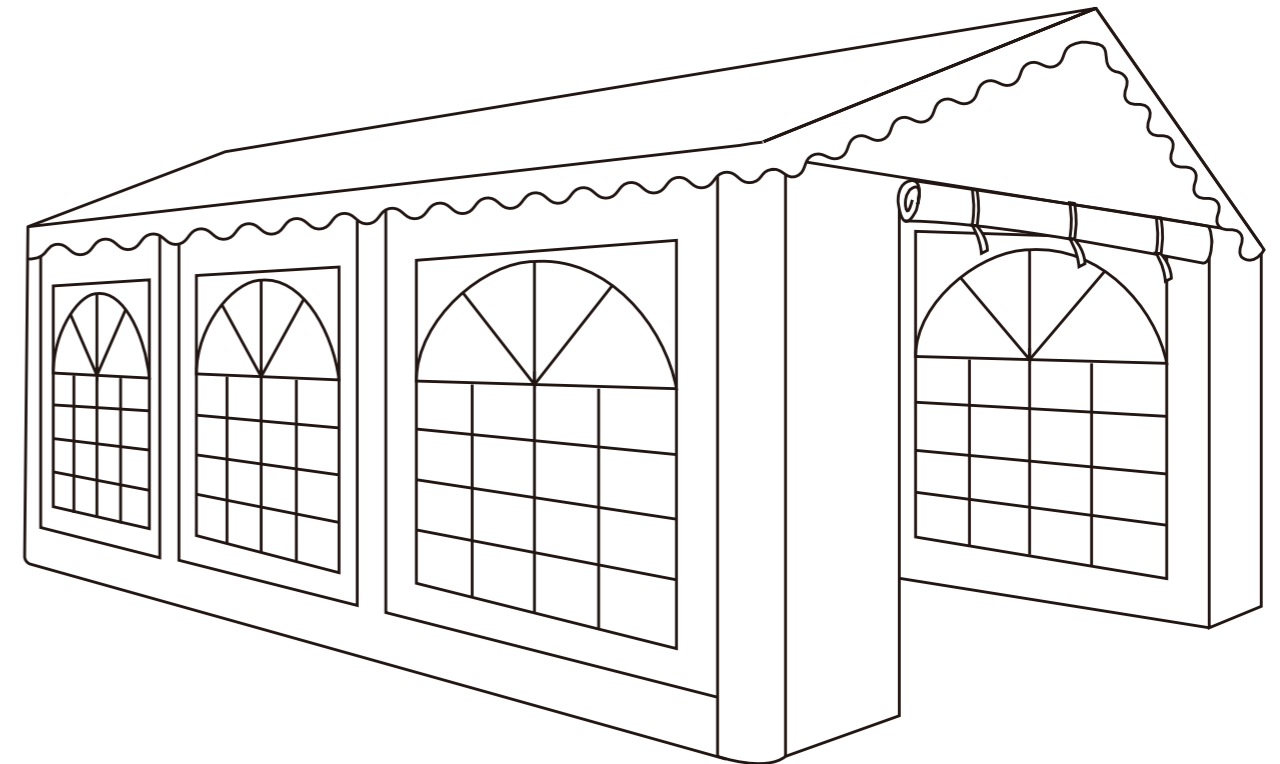




USE AND CARE GUIDE

GA105-W



Questions, problems, missing parts? Before returning to the store please contact our Customer Service

- service@alphamarts.com •

1-877-606-2818

Questions, problems, missing parts? Before returning to the store please contact our Customer Service

- service@alphamarts.com •

THANK YOU

We appreciate the trust and confidence you have placed in us through the purchase of our product. We strive to continually create quality products designed to enhance your home. Visit us online to see our full line of products available for your home improvement needs. Thank you for choosing us!

Table of Contents

| | | | |
|---------------------------|---|--------------------|-----|
| Table of Contents | 2 | Pre-assembly | 3-4 |
| Safety Information | 2 | Assembly | 5-7 |
| Warranty | 2 | Warning | 8 |
| What is Covered | 2 | | |
| What is Not Covered | 2 | | |

Safety Information

- **Do not completely tighten screws until all screws are started.** Tighten each bolt firmly and properly.
- Some parts may contain sharp edges. Wear protective gloves as necessary.
- Children under the age of 16 should not be engaged in the assembly, removal or disassembly of the product. Children under the age of 10 should be supervised by a competent adult while using this furniture.
- Please keep children out of the assembly area during assembly.
- This set is heavy, and may require two adults for safe assembly.
- Never use this product as a support. Do not shake, lean, or climb on the product at any time.



DANGER : Do not allow children to play with plastic wraps or small parts to prevent potential choking hazard.



CAUTION: Read all the instructions before assembly. Failure to do so may result in faulty assembly and potential injury!

Warranty

LIMITED WARRANTY

This warranty is a limited warranty, and applies to the original purchase is required. This is a residential warranty and does not apply to commercial use. This collection carries a (1) year limited warranty and is valid from original date of purchase to the original owner (proof of purchase required).

WHAT IS COVERED

We warrant the frame to be free of Manufacturing defects to the original purchaser for one year.

WHAT IS NOT COVERED

This warranty does not cover commercial use, hardware, acts of nature, fire, freezing and abusive. In addition, purchased parts are not covered under this warranty.

We reserve the right to make substitutions with similar merchandise, if the model in question is no longer in production.

For a copy of our full limited warranty, please contact our customer service team.

Pre-assembly (continued)

Assemble the item on a soft, non-abrasive surface, such as carpet or cardboard to avoid damaging the item. Seek assistance to assemble bulky or heavy items.



NOTE: Identify all parts packed in the carton against the parts list. Remove all the protective material carefully and DO NOT use a knife to prevent scratching the furniture.

PACKAGE CONTENTS



NOTE: Hardware not shown to actual size.

1 Frame pole

X16

2 Frame pole

X9

3 Support pole

X8

4 connector

X8

5 connector

X6

6 connector

X6

7 foot

X8

Long Bungee ball

X88

Pre-assembly (continued)

Guy line

X4

6x300mm Peg SPIRAL

X4

6x180mm peg MIDDLE

X8

4x180mm peg SHROT

X32

Hook

X8

Roof

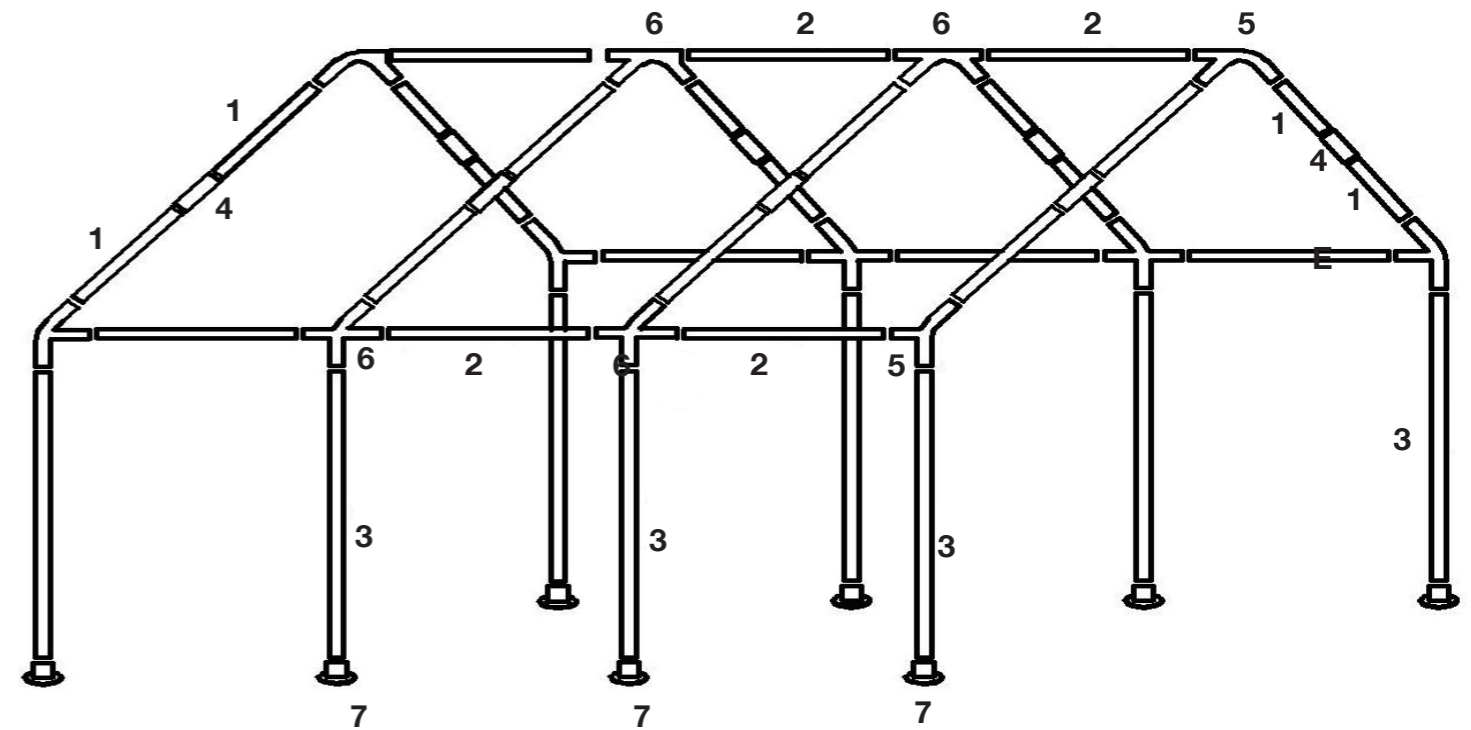
X1

Sidewall

X6

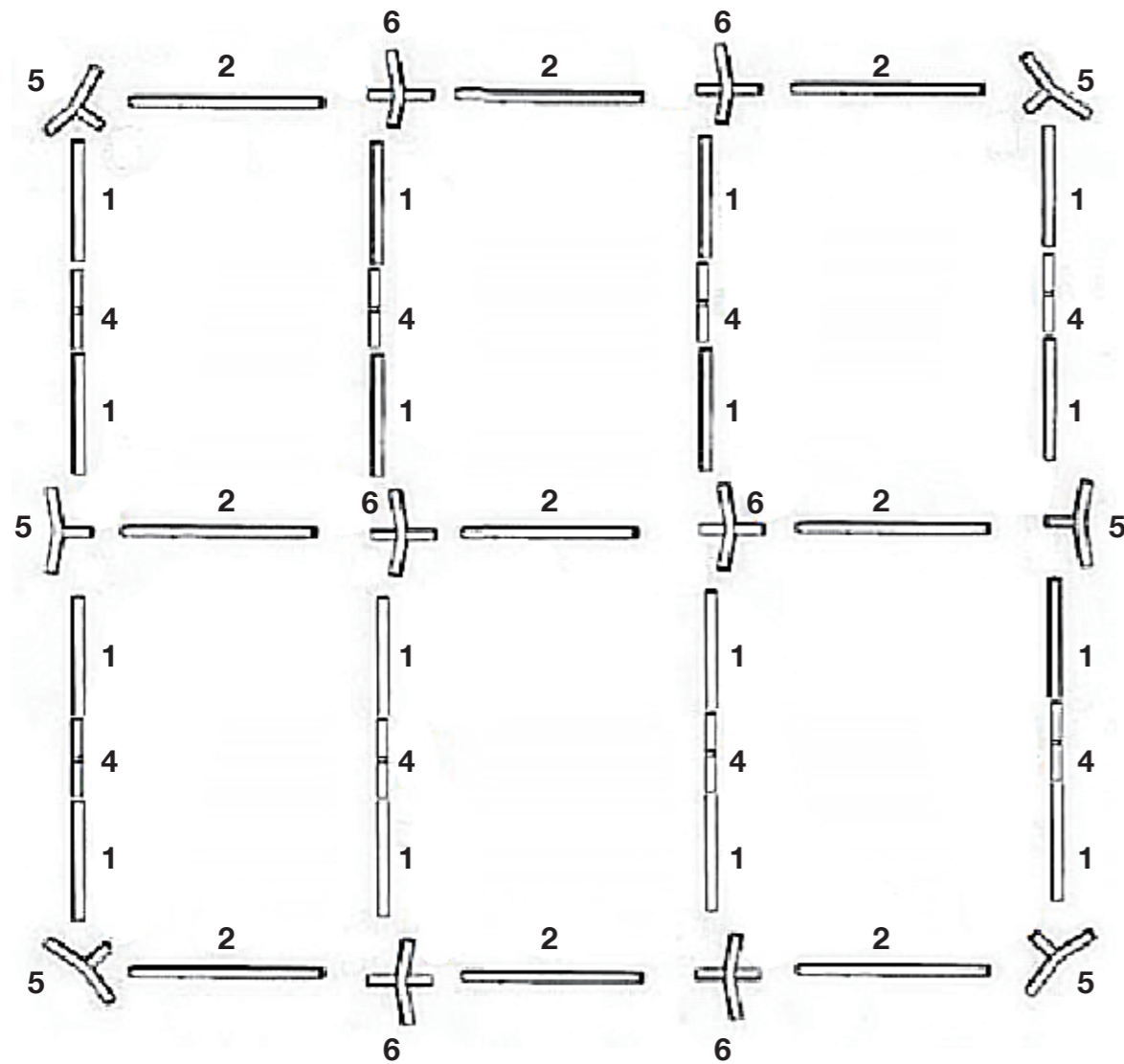
End wall

X2



Assembly

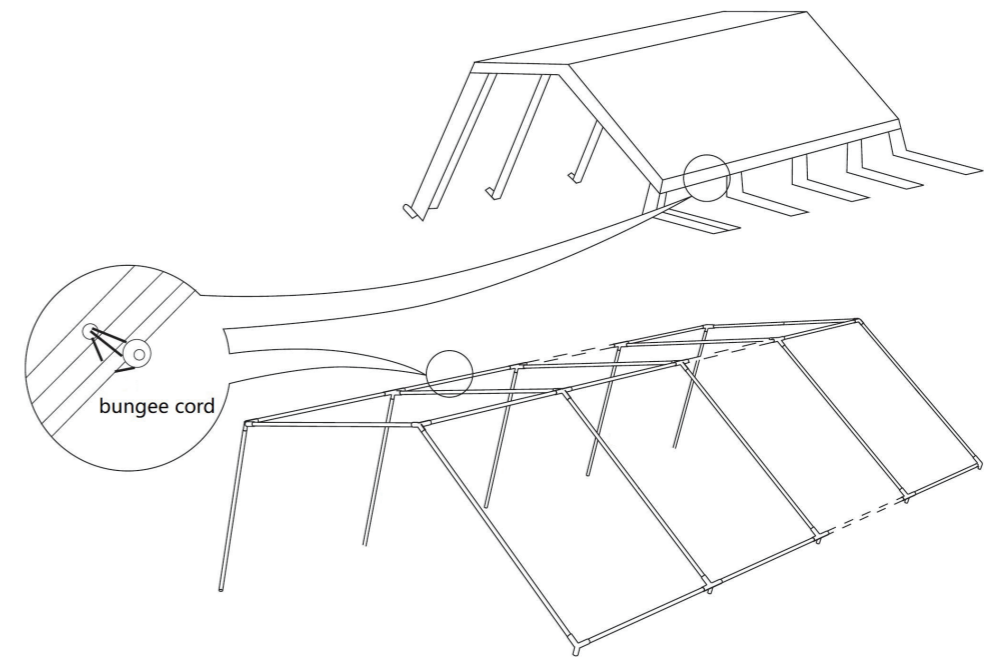
1



Select an area of flat ground for the tent. Unpack the carton and check all parts including tubes, tent and accessories... etc. are present.
Assemble the rooftop framework by joining the (4,5,6) Connectors together with poles (1,2). Ensure every spring button fit the connector properly.

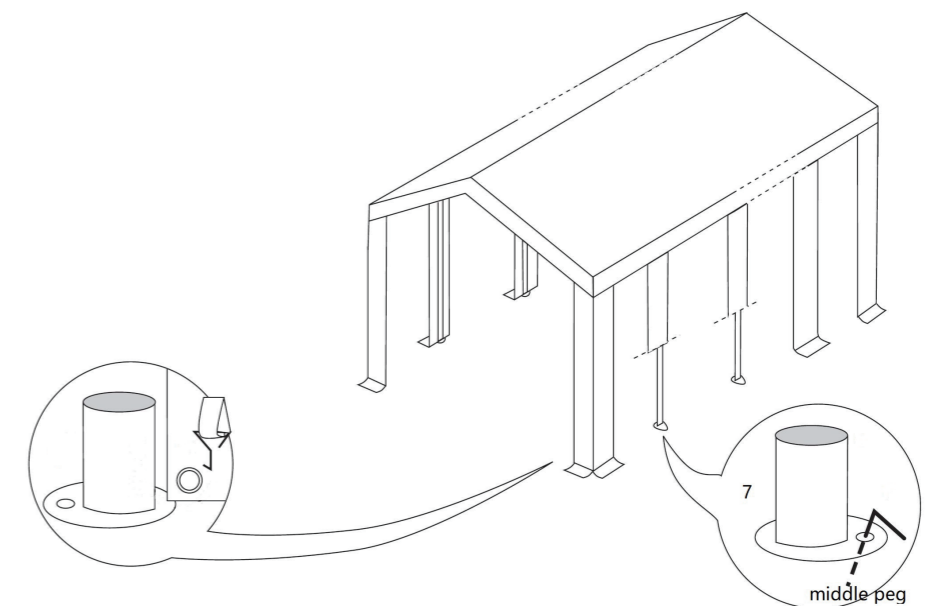
Assembly

2



Attach one end of the support poles (3) to the roof joints (5,6). Place roof on frame, and attach with bungee fixings, take care not to over tension bungee, as this may cause difficulty correctly fitting roof.

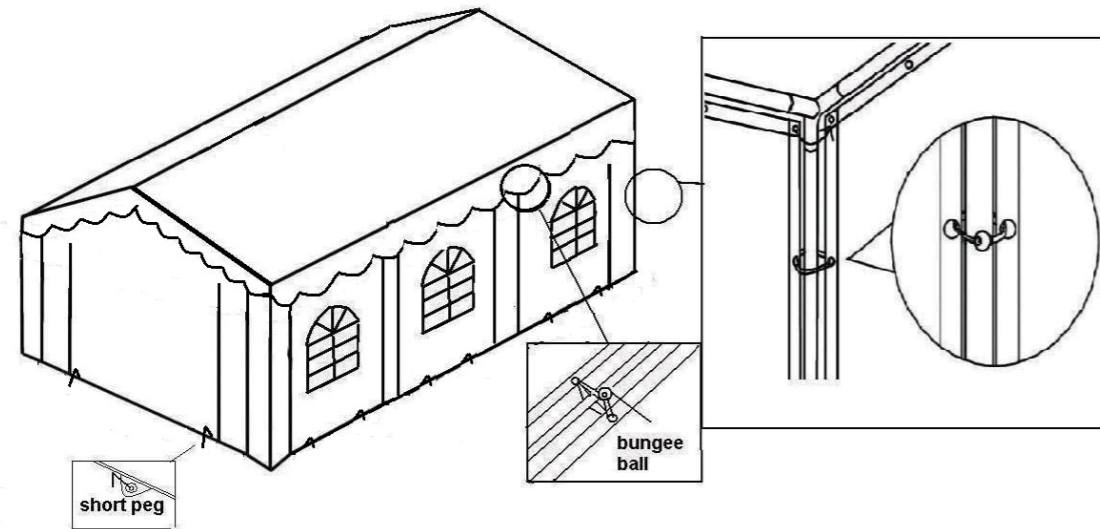
3



Attach the other 4 supporting poles (3) to the joints (5,6), build-up the framework .Use the middle peg to fix each pole into the ground and use the hook to fix the leg cover to the leg.

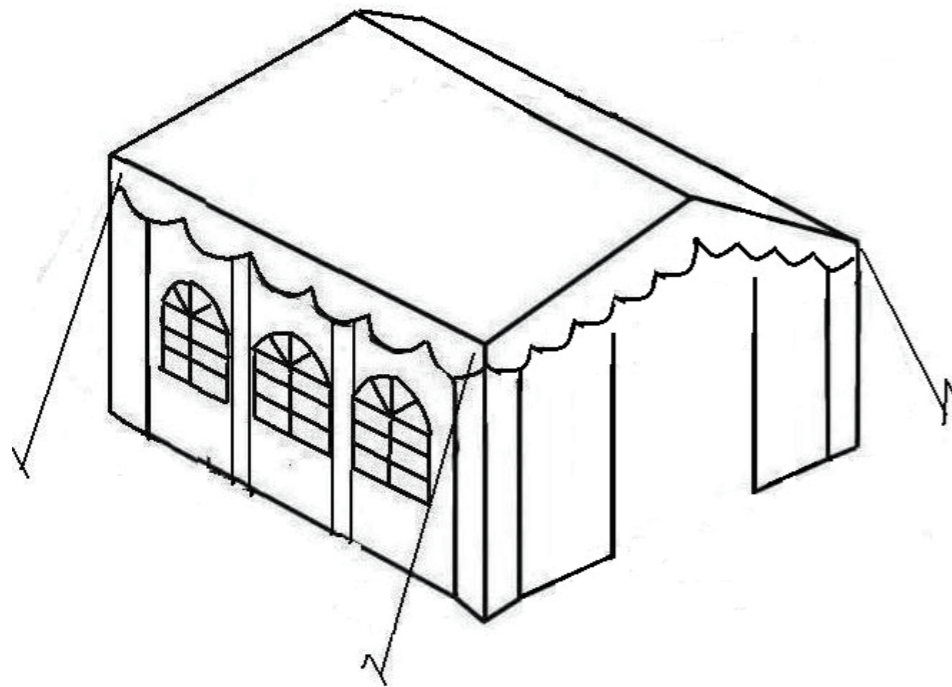
Assembly

4



Spread the wall and door panels, and attach to framework using the bungee cords. Clasp the frame to the metal eyelets (located over the wall and door panels) to ensure stability. Also use the short pegs (4x180mm) to fix the doors and walls to the ground.

5



Attach Guy line to all corners of tent and fix to ground using spiral pegs.

Warning

- Take note that the tent needs to be handled carefully to avoid damage.
- Do not force the frame, as there may be damage in the process.
- Tents are meant as temporary shelter and must be evacuated under extreme weather conditions.
- Please select a suitable site for the tent to avoid damage to underground sprinkler systems, water, gas or electrical lines.
- Keep away from naked flame and other heat sources.
- Take preventative measures to avoid wind when wind speed reaches 25 mph or higher.