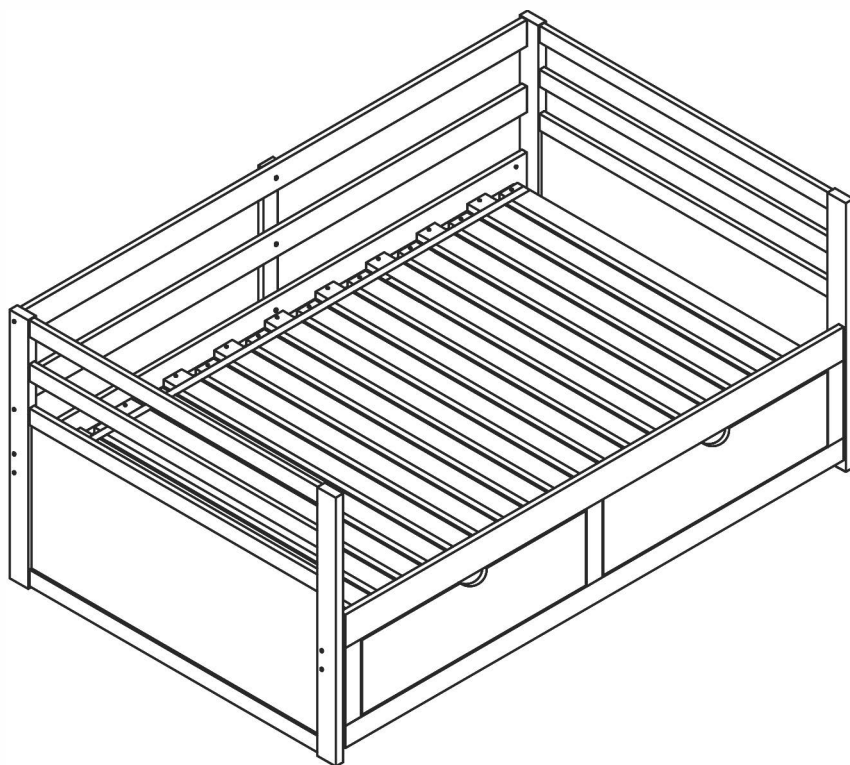


# ASSEMBLY INSTRUCTIONS

---



## TOOLS REQUIRED



Allen Wrench

(Included)



Phillips  
Screwdriver

(Not Included)



2 - People  
Recommended

## ASSEMBLY RATING



EASY ————— DIFFICULT

The Assembly Rating is a 5-point system showing the level of effort needed to assemble a specific product.



## **CHECK BEFORE STARTING**

### **Are you missing anything?**

Double-check all parts, hardware and accessories listed on Page 6 are accounted for.

### **Should we send any replacements?**

Are there any irregularities or flaws in the parts? We can send replacements!

### **Check out our Quick Tips!**

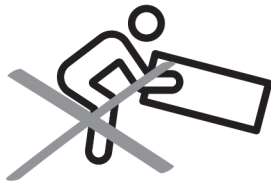
We recommend reviewing the pre-assembly handouts. Even experts need a refresher now and then!

### **Prep Time!**

Please review the assembly instructions and all diagrams prior to assembling. Arrange parts as recommended on Page 7 and group identical hardware together to make assembling easier.

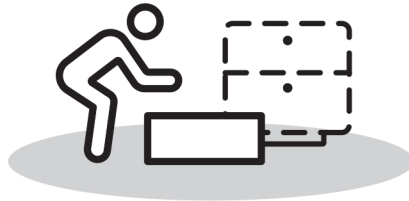
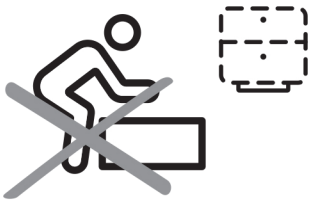
# PRE ASSEMBLY INTRODUCTION

We understand building ready-to-assemble furniture can be a challenging experience for some. To help avoid confusion, we have provided some helpful tips that may speed up the process.



## Teamwork

ALWAYS have at least two people to help with transporting and assembling the product to avoid potential injury and/or damage.



## Suitable Location

Assembling near the area of the intended location is highly recommended.



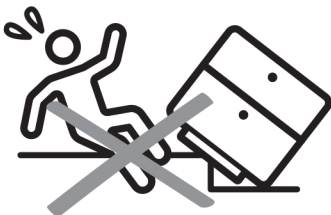
## Sufficient Space

Make sure you have enough space to move around during the assembly.



## Avoid Scratches

Use cardboard, blankets or a carpeted area while assembling furniture to prevent scratches.



## Flat Surface

Make sure the furniture rests on a flat and level surface with each leg evenly touching the floor.

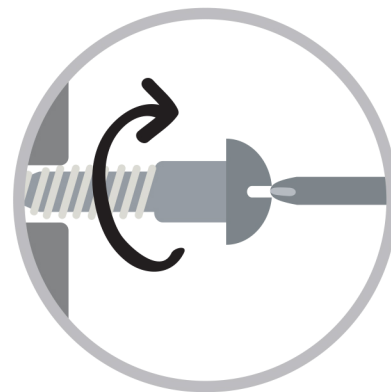
# ASSEMBLY AND CARE ADVICE



**FAILURE TO FOLLOW THE GUIDELINES BELOW MAY RESULT IN INJURY AND/OR PROPERTY DAMAGE.**



Position each part correctly and insert screws or bolts into their respective holes.



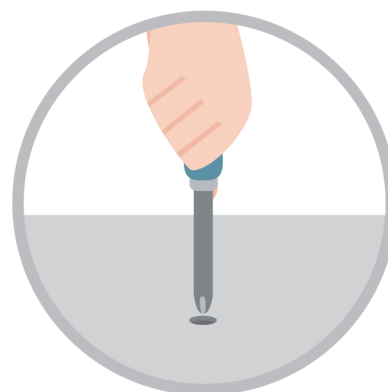
Turn clockwise to tighten and only tighten when step is completed or when instructed to do so.



Use the appropriate hand tools or power tools for assembly. Select steps, such as tightening screws and/or bolts, may require hand tools to avoid causing damage during assembly.



Save the instructions and store any supplied tools for later maintenance.



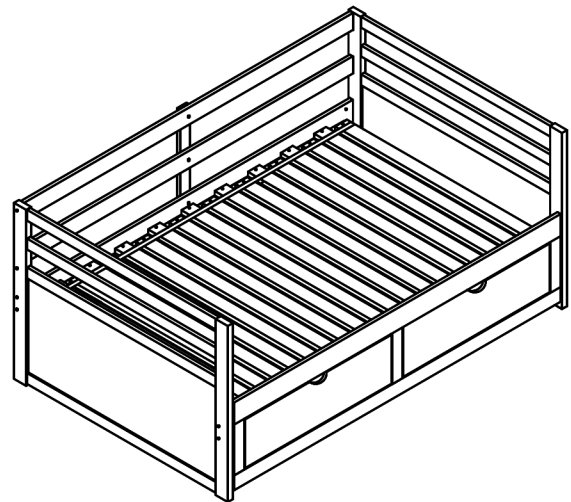
After two weeks, check and tighten any loose hardware and repeat again every six months thereafter.

**IT IS THE USER'S RESPONSIBILITY TO MAINTAIN THE FURNITURE. THE HARDWARE MAY LOOSEN OVER TIME AND MAY CAUSE THE FURNITURE TO BE WOBBLY AND UNABLE TO SUPPORT ITS INTENDED WEIGHT CAPACITY. THIS MAY LEAD TO COLLAPSE AND MAY CAUSE SERIOUS INJURY.**

# DAYBED

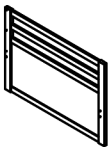


- Please keep instructions for future reference.
- Check the quantity and irregularity of parts and hardware before you start.



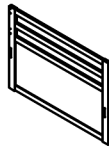
## PARTS

#1 1pc



Left Headboard

#2 1pc



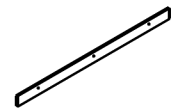
Right Headboard

#3 1pc



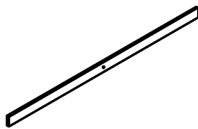
Back Side Rail

#4 1pc



Front Side Rail

#5 2pcs



Back Guardrail

#6 1pc



Guardrail

#7 3pcs



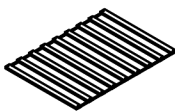
Flap

#8 1pc



Flap

#9 1set



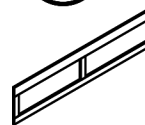
Twin Slats Kit  
(9pcs)

#10 1set



Twin Slats Kit  
(10pcs)

#11 1pc



Trundle Front  
Frame

#12 1pc



Trundle Back  
Rail

#13 2pcs



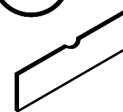
Trundle Side  
Panel (L&R)

#14 2pcs



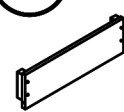
Drawer Runner

#15 2pcs



Front Board

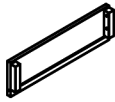
#16 2pcs



Left Board

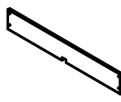
**PARTS**

#17 2pcs



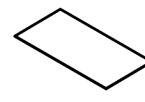
Right Board

#18 2pcs



Back Board

#19 2pcs



Bottom Board

**HARDWARE**

#A 12pcs



Bolt  
Ø1/4" x 3-1/8"

#B 12pcs



Barrel Nut  
Ø1/4" x 1/2"

#C 11pcs



Bolt  
Ø1/4" x 1-3/16"

#D 3pcs



Hex Cap  
Ø1/4" x 5/8"

#E 4pcs



Wood Dowel  
Ø10x40mm

#F 8pcs



Wood Dowel  
Ø6x30mm

#G 6pcs



Screw  
#4 x 40mm

#H 42pcs



Screw  
#4 x 30mm

#I 16pcs



Screw  
#4 x 25mm

#J 8pcs



Screw  
#4 x 20mm

#K 2pcs



Screw  
#3 x 15mm

#L 4pcs



Screw  
#3 x 12mm

#M 4pcs



Wheel

#N 2pcs



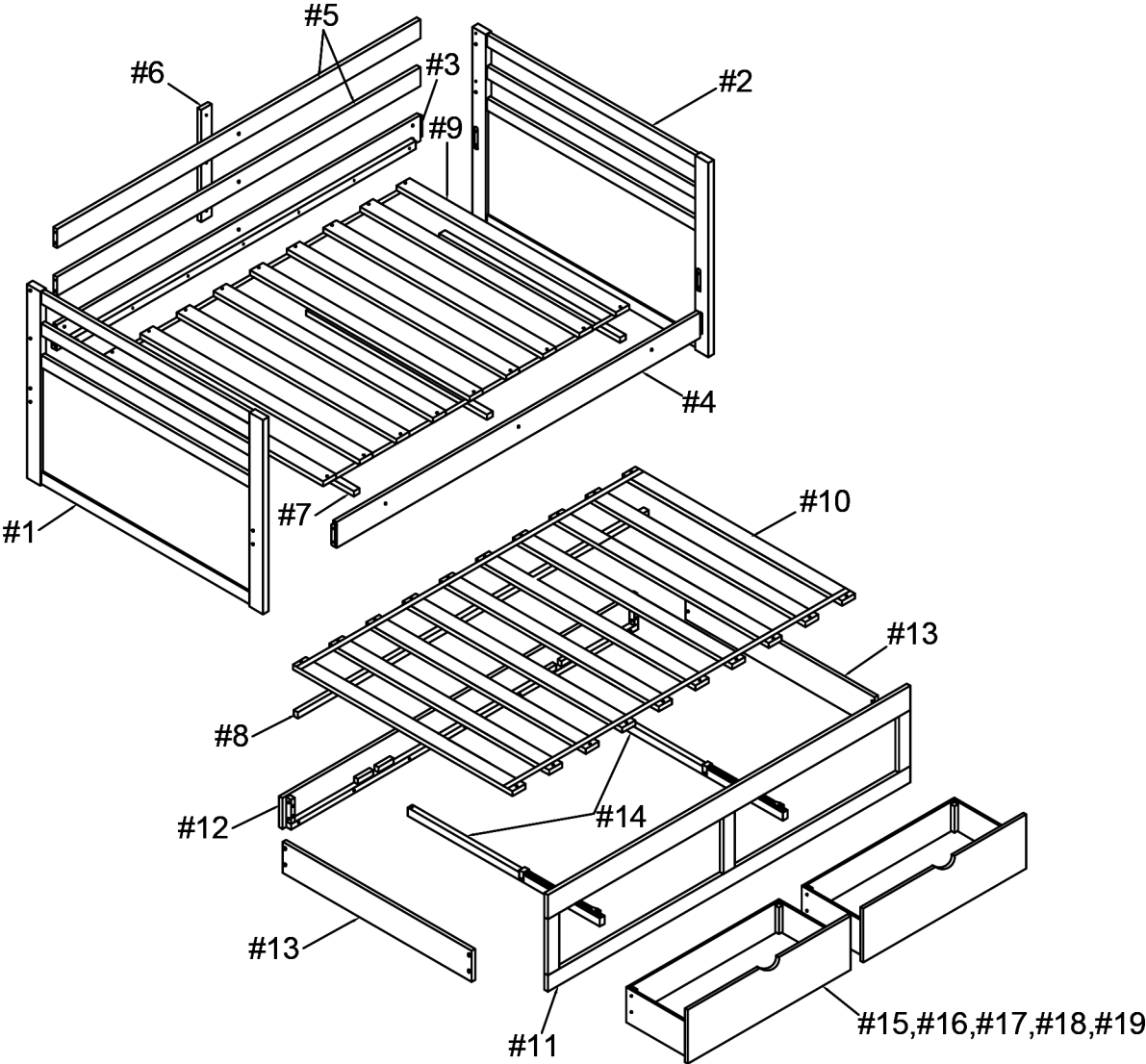
Scroll Bar

#O 1pc



Allen Wrench 4mm

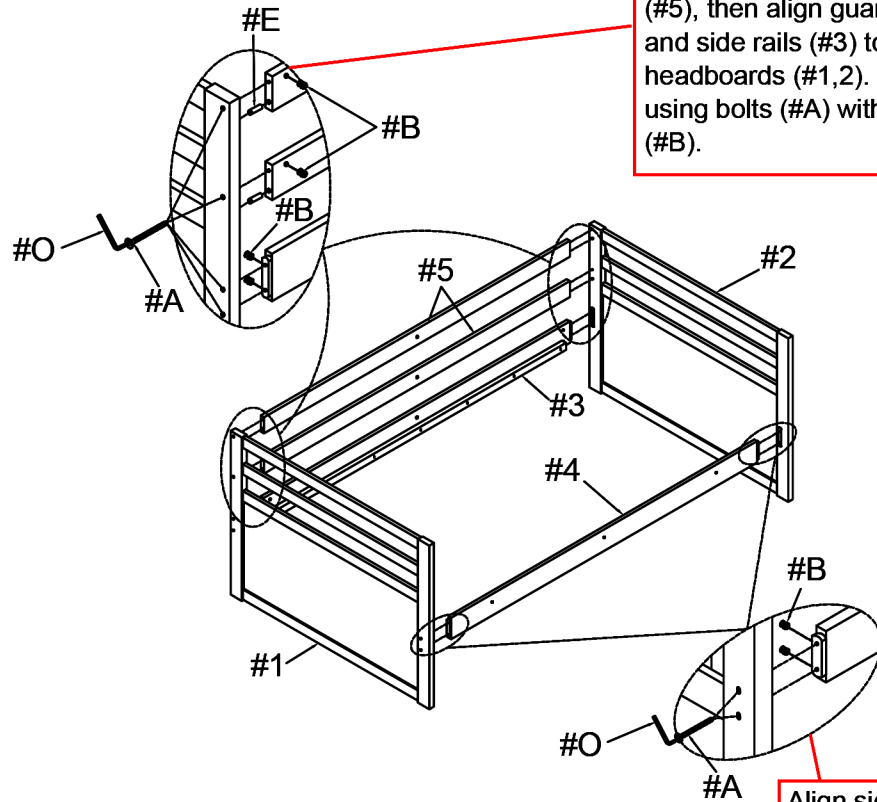
# Exploded View



# ASSEMBLY INSTRUCTIONS

1

- Part #1 x1pc
- Part #2 x1pc
- Part #3 x1pc
- Part #4 x1pc
- Part #5 x2pcs
- Hardware #A x12pcs
- Hardware #B x12pcs
- Hardware #E x4pcs

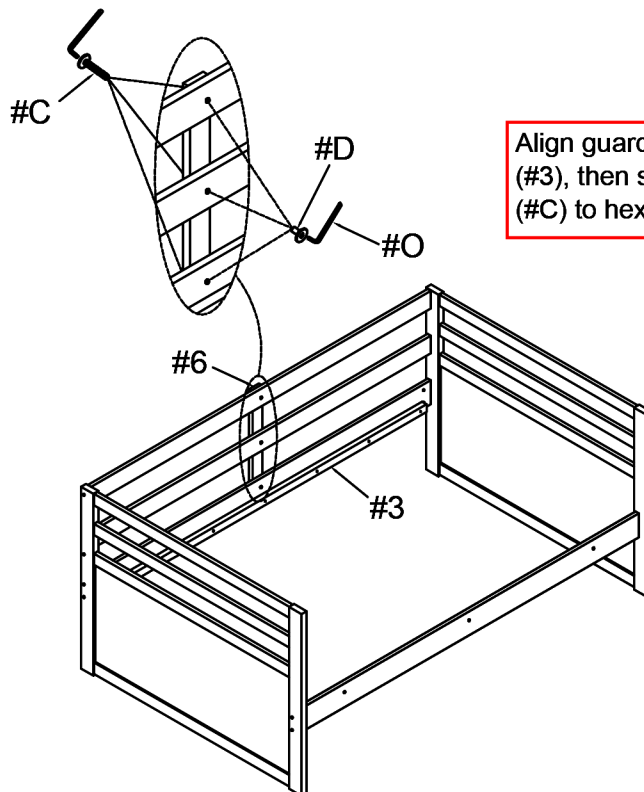


Insert dowels (#E) to guardrails (#5), then align guardrails (#5) and side rails (#3) to the headboards (#1,2). Secure by using bolts (#A) with barrel nuts (#B).

Align side rail (#4) to the headboards (#1,2), then secure by using bolts (#A) onto barrel nuts (#B).

2

- Part #6 x1pc
- Hardware #C x3pcs
- Hardware #D x3pcs



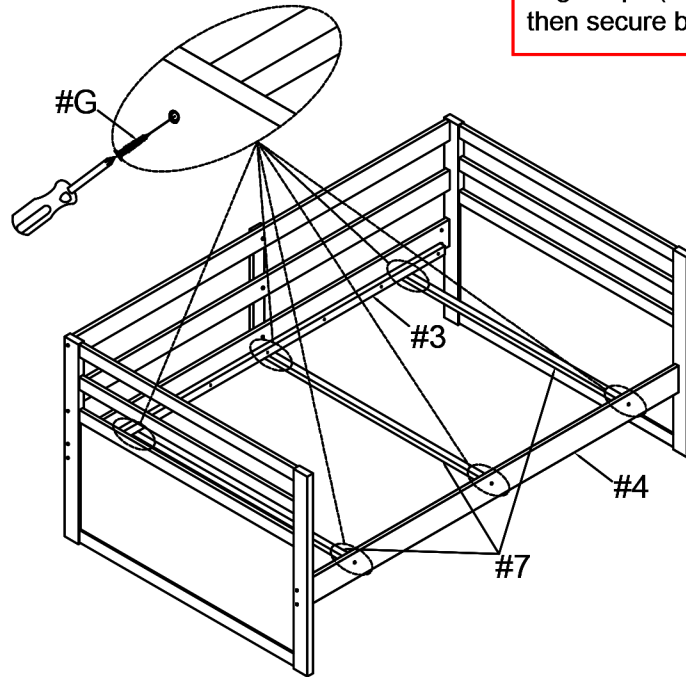
Align guardrail (#6) to the side rails (#3), then secure by using bolts (#C) to hex cap (#D).

# ASSEMBLY INSTRUCTIONS

## 3

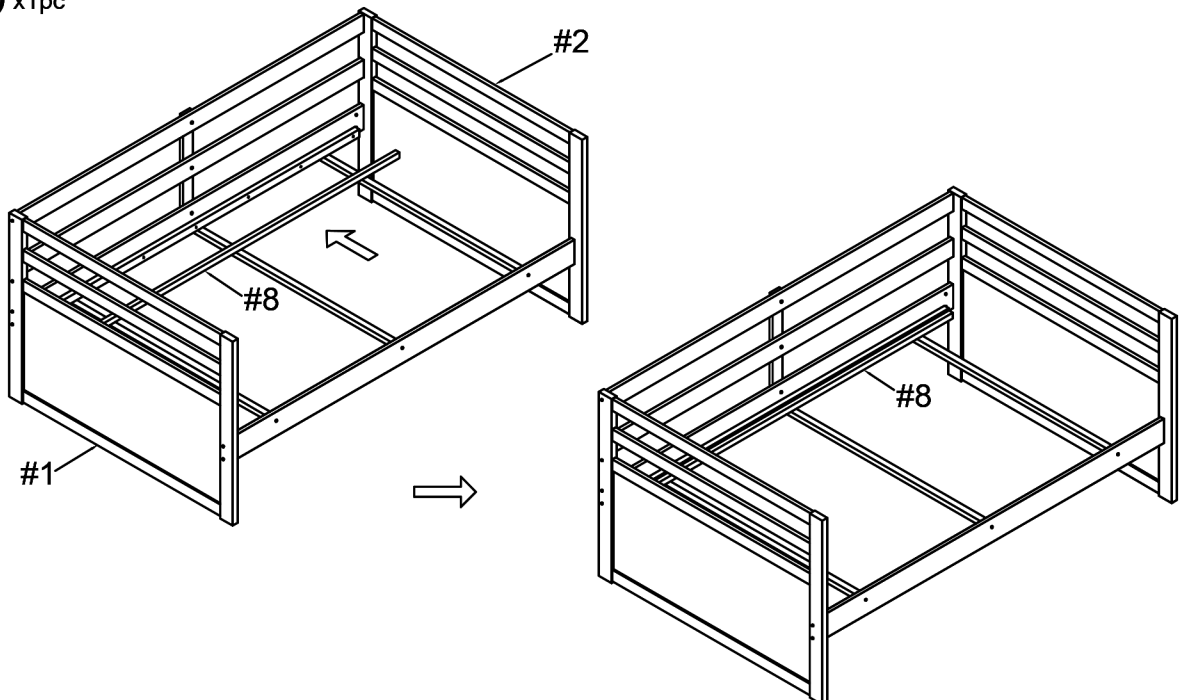
Part #7 x3pcs

Hardware #G x6pcs



## 4

Part #8 x1pc

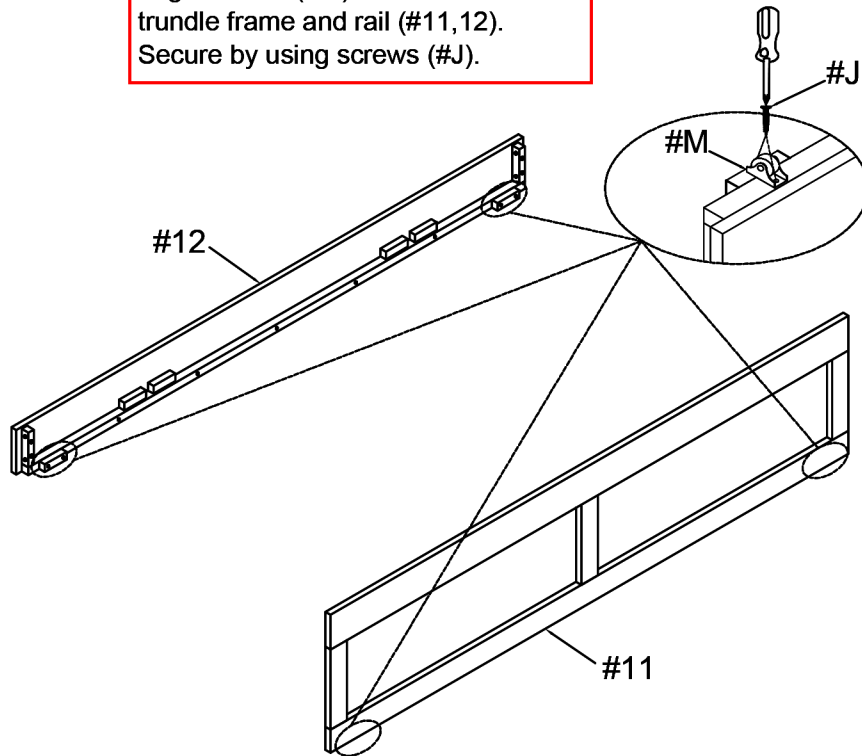


# ASSEMBLY INSTRUCTIONS

## 5

Align wheels (#M) to the bottom of the trundle frame and rail (#11, 12).  
Secure by using screws (#J).

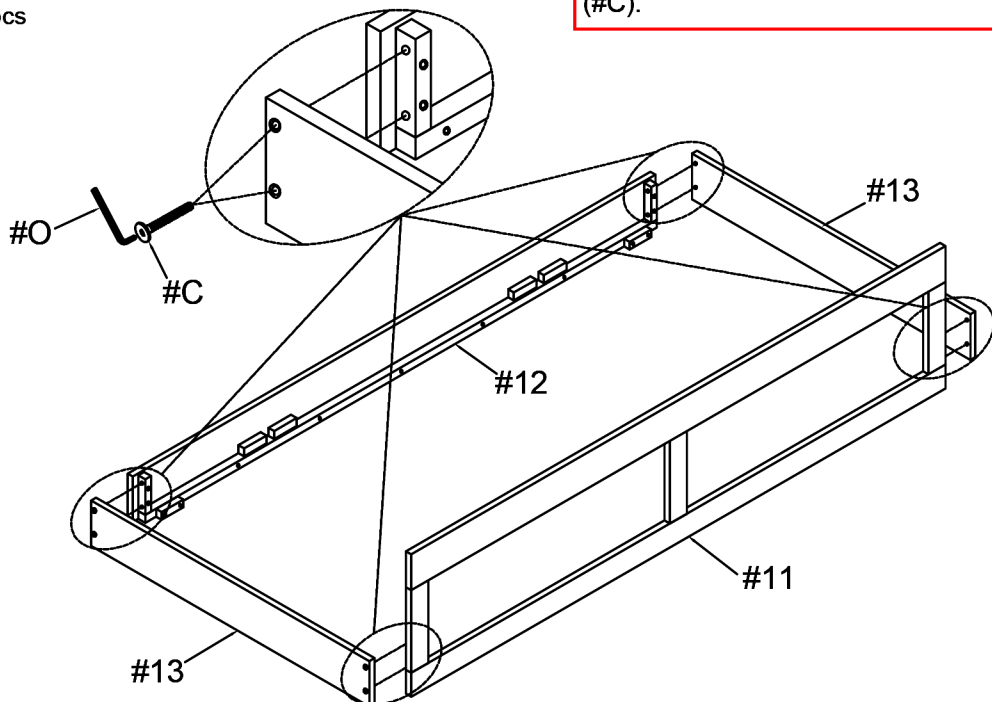
- Part #11 x1pc
- Part #12 x1pc
- Hardware #J x8pcs
- Hardware #M x4pcs



## 6

- Part #13 x2pcs
- Hardware #C x8pcs

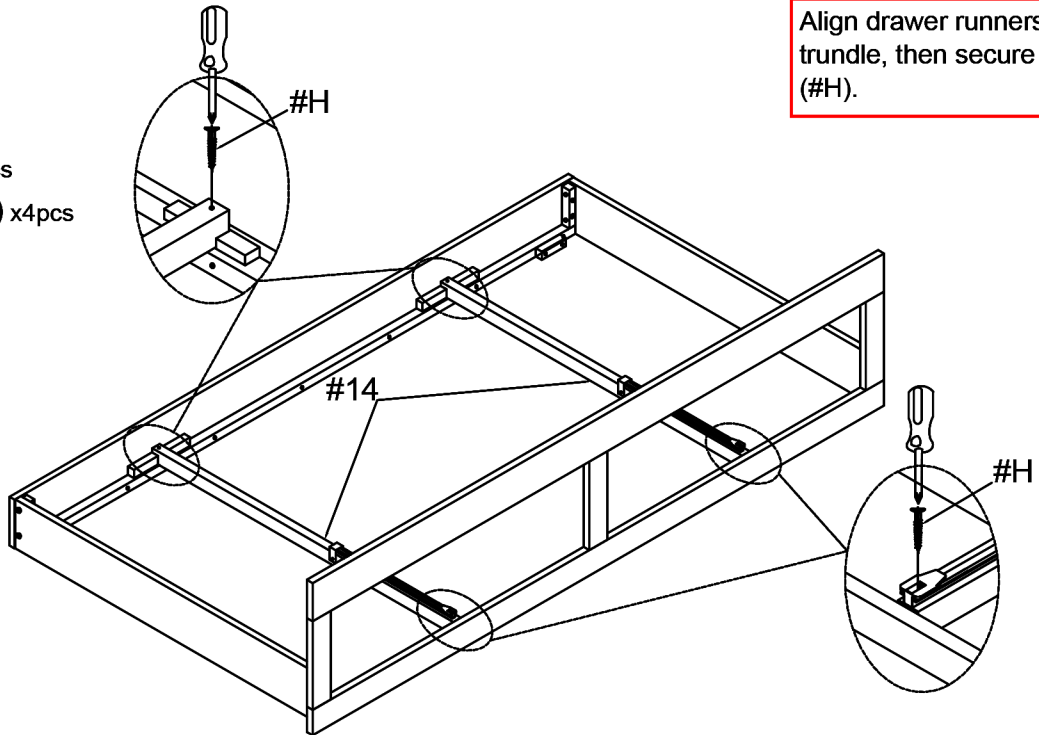
Align trundle sides (#13) to the trundle frame and rail (#11, 12), then secure by using screws (#C).



# ASSEMBLY INSTRUCTIONS

7

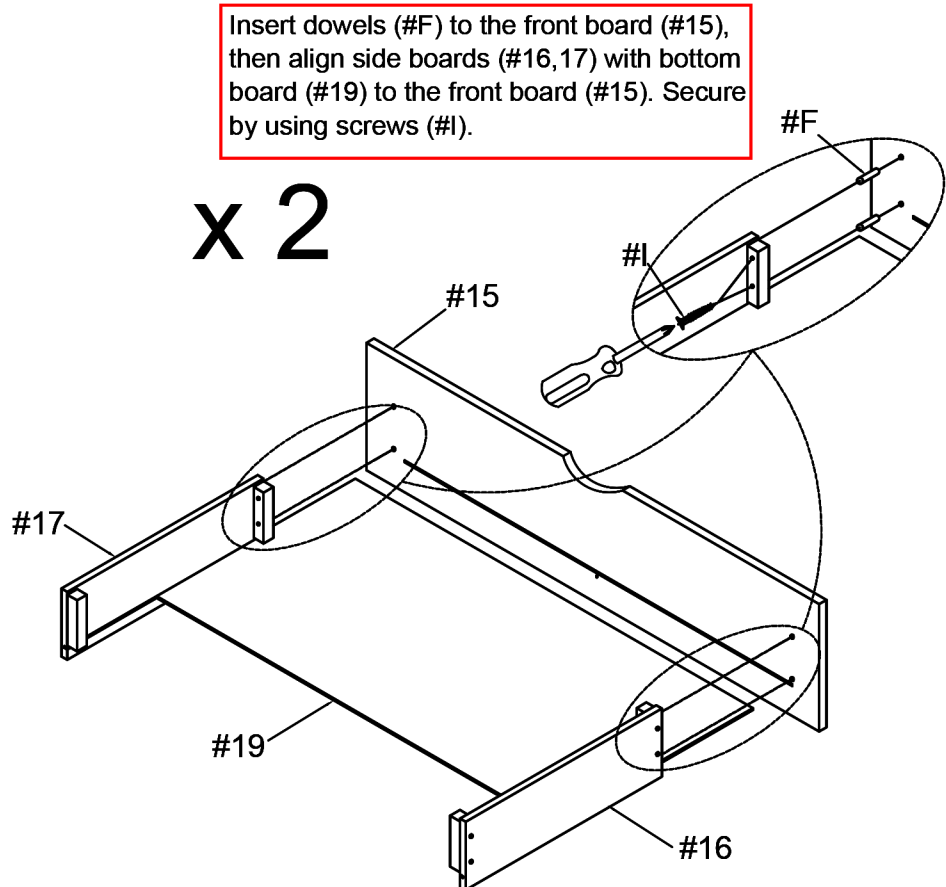
Part #14 x2pcs  
Hardware #H x4pcs



Align drawer runners (#14) to the trundle, then secure by using screws (#H).

8

Part #15 x1pc  
Part #16 x1pc  
Part #17 x1pc  
Part #19 x1pc  
Hardware #F x4pcs  
Hardware #I x4pcs



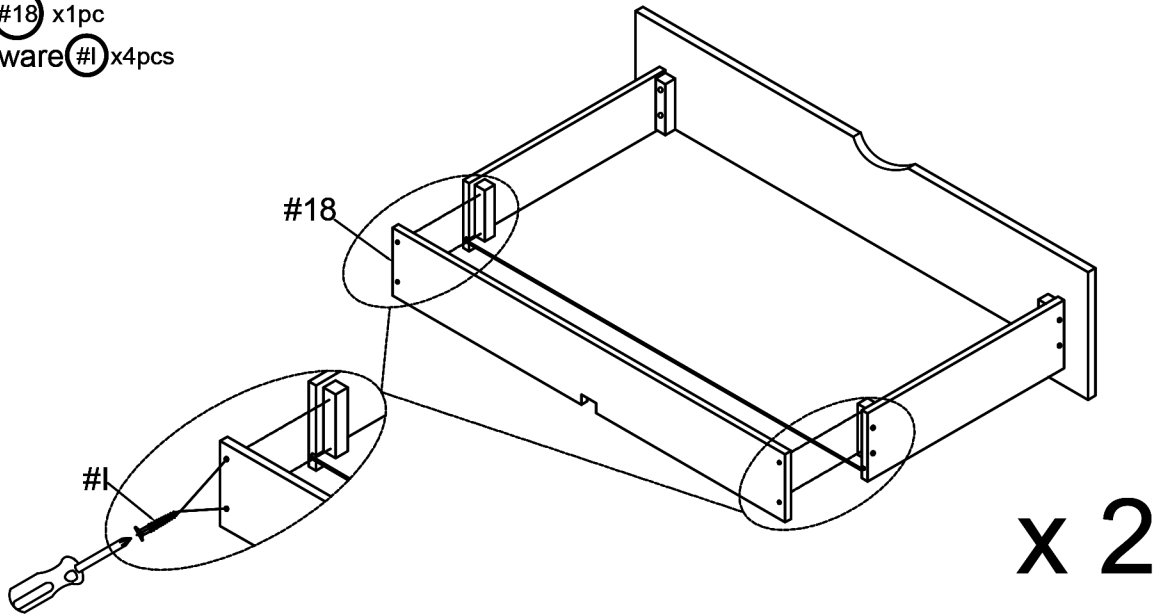
Insert dowels (#F) to the front board (#15), then align side boards (#16, 17) with bottom board (#19) to the front board (#15). Secure by using screws (#I).

# ASSEMBLY INSTRUCTIONS

9

Part **#18** x1pc  
Hardware **#I** x4pcs

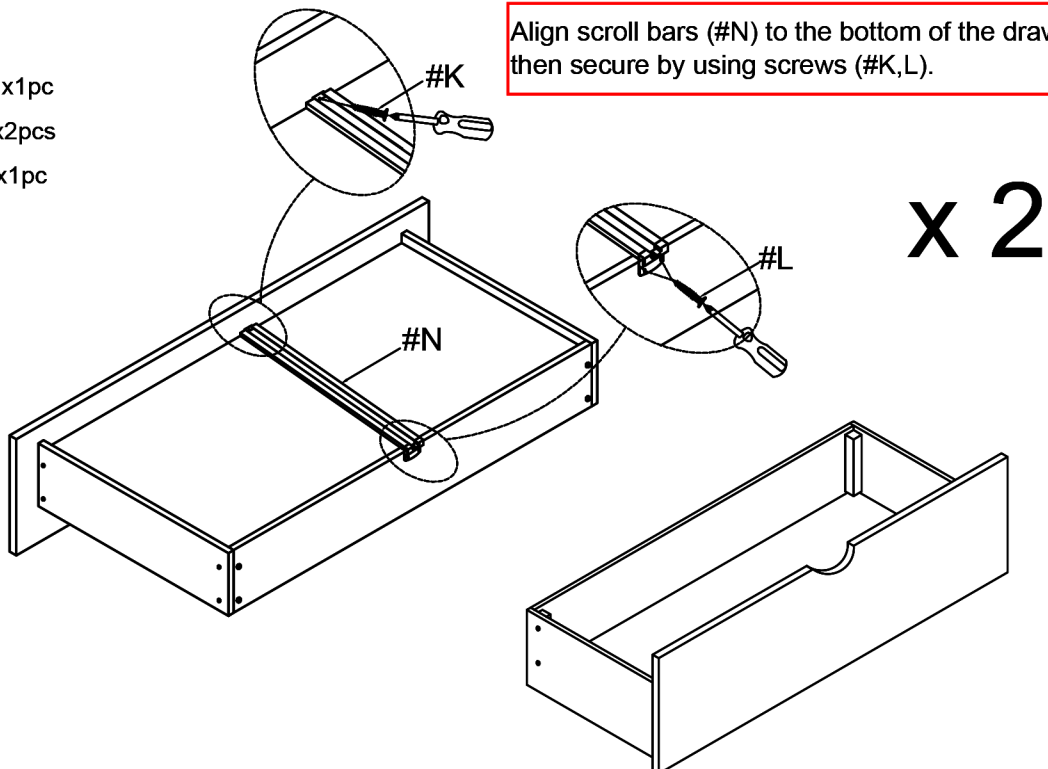
Align back board (#18) to the drawer, then secure by using screws (#I).



10

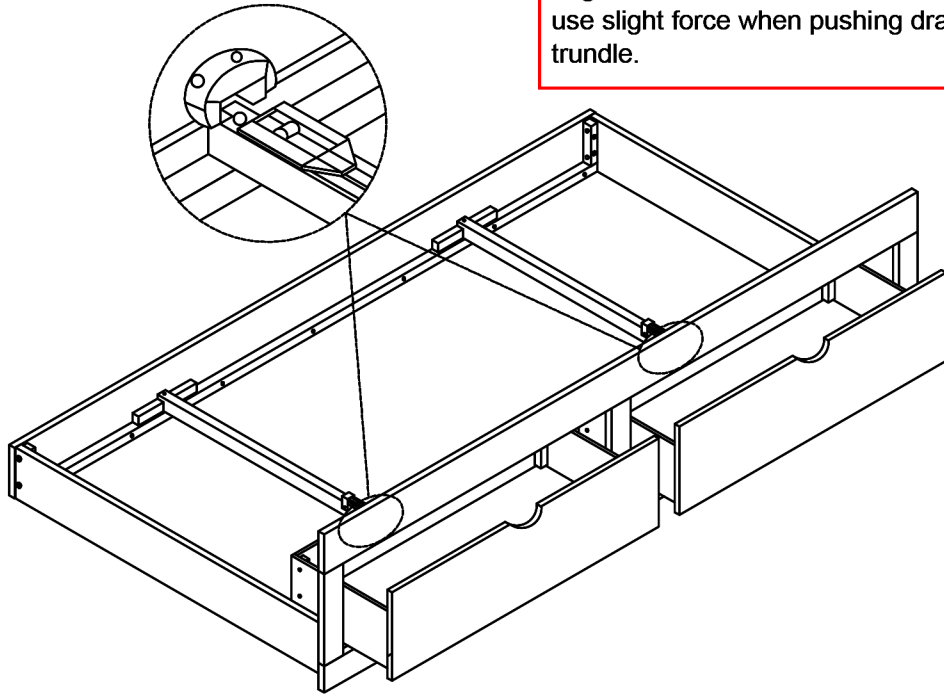
Hardware **#K** x1pc  
Hardware **#L** x2pcs  
Hardware **#N** x1pc

Align scroll bars (#N) to the bottom of the drawer, then secure by using screws (#K,L).



# ASSEMBLY INSTRUCTIONS

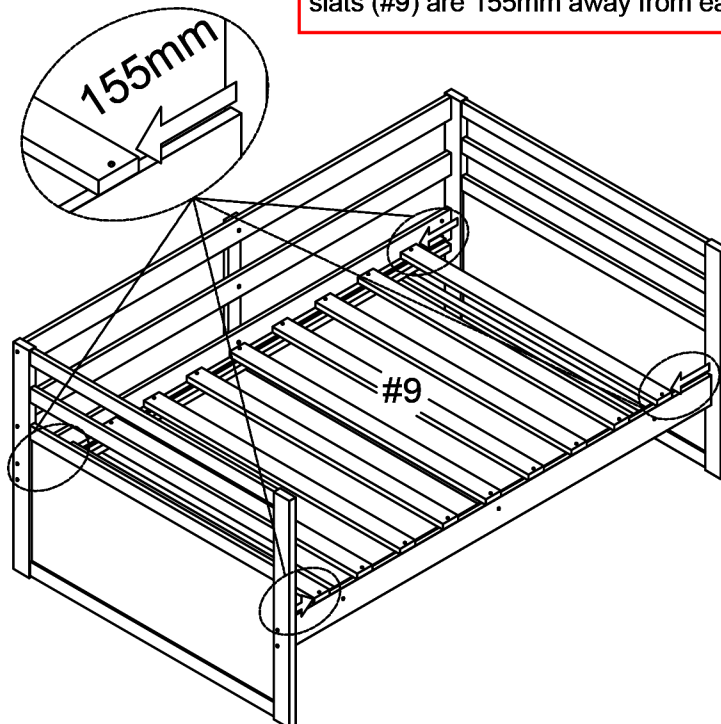
11



Align and attach drawers to trundle. Please use slight force when pushing drawers into trundle.

12

Part #9 x1set



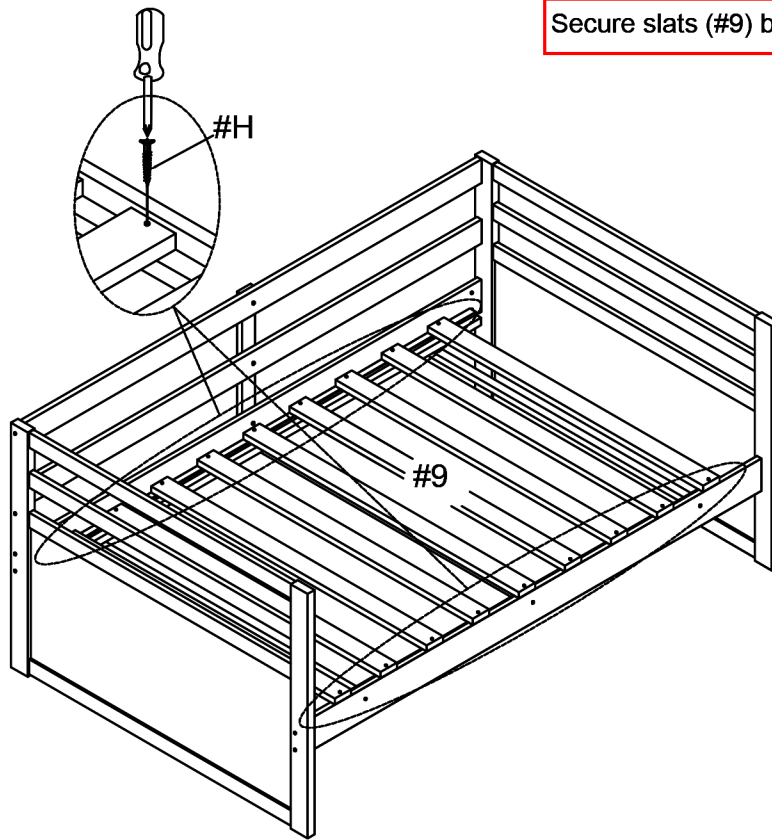
Align slats (#9) to the bed. Make sure the slats (#9) closest to the headboards on both ends and all slats (#9) are 155mm away from each other.

# ASSEMBLY INSTRUCTIONS

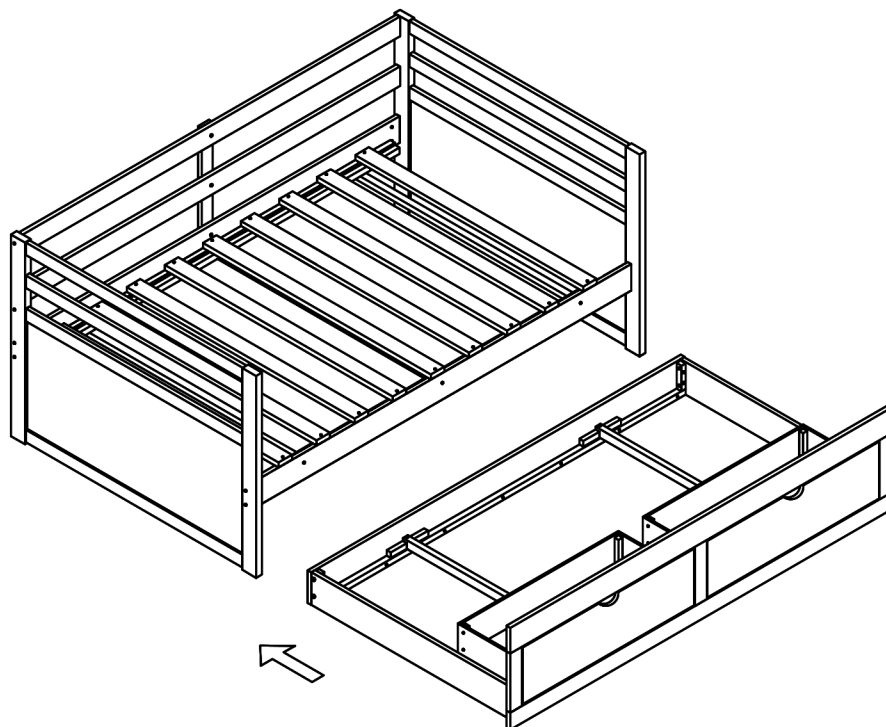
13

Part **#9** x1pc  
Hardware **#H** x18pcs

Secure slats (**#9**) by using screws (**#H**).



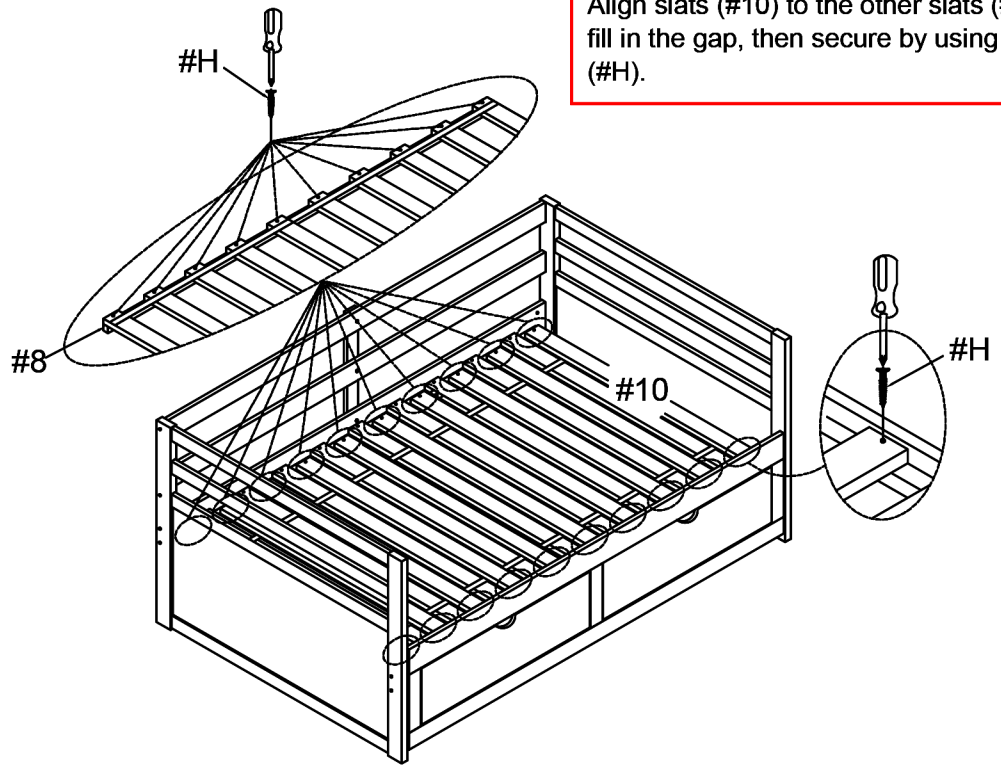
14



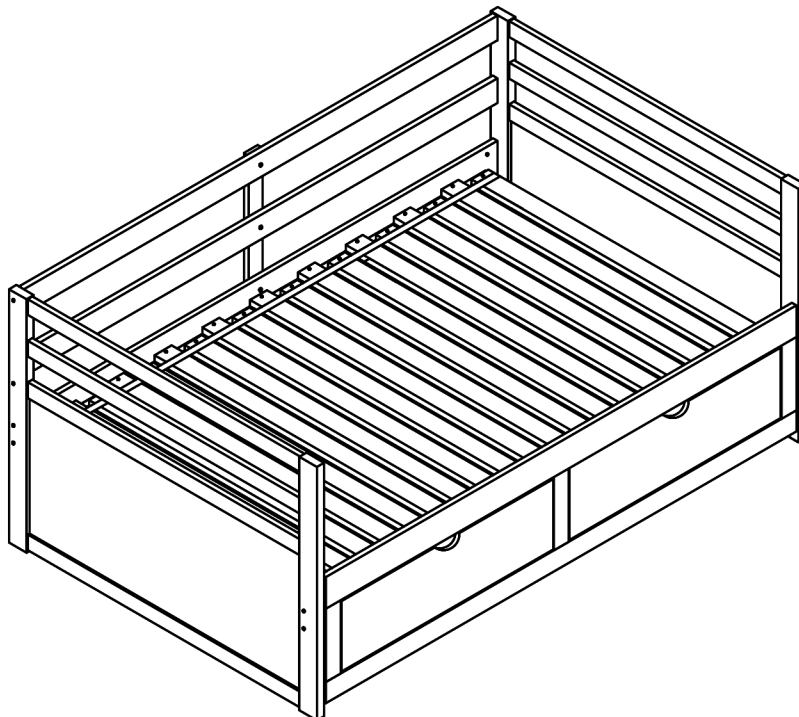
# ASSEMBLY INSTRUCTIONS

## 15

Part **#10** x1set  
Hardware **#H** x20pcs

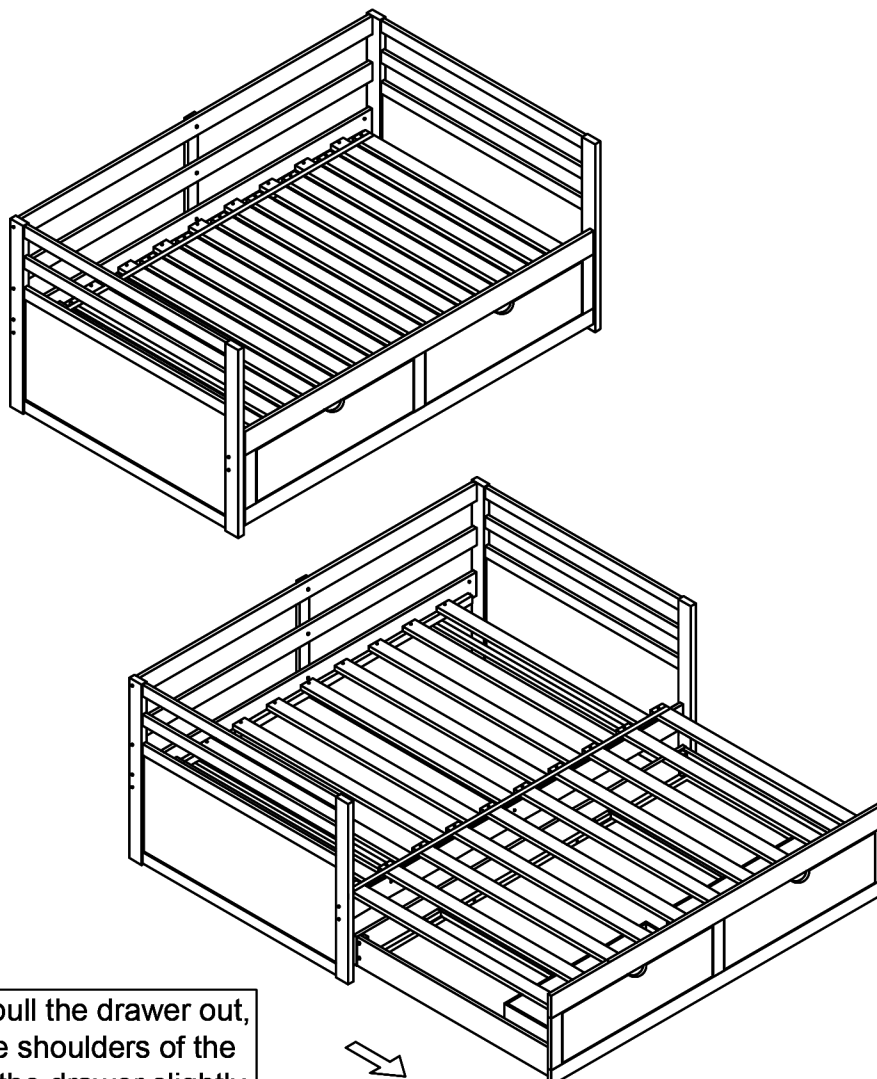


## 16



# ASSEMBLY INSTRUCTIONS

17



When we pull the drawer out, close to the shoulders of the bed, we lift the drawer slightly it all out, then put it gently on the floor .

## ASSEMBLY COMPLETED



Please ensure the furniture rests on an even and flat surface. If the product wobbles or feels loose, double-check all bolts and/or screws are properly tightened and secured.

### ✓ Keep this handy!

Please retain this instruction manual and any order-related information for future reference.

### ✓ Lift, don't drag!

To avoid damage to product please always LIFT the product when transporting or adjusting the placement.