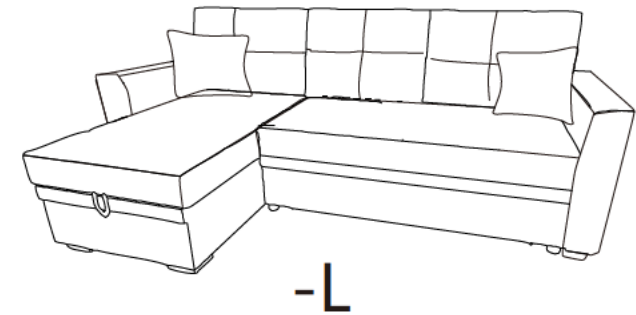
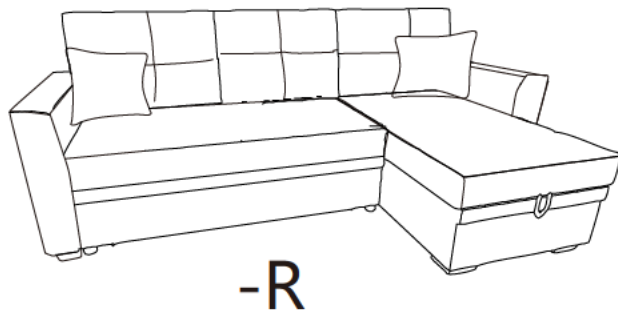


# ASSEMBLY INSTRUCTION

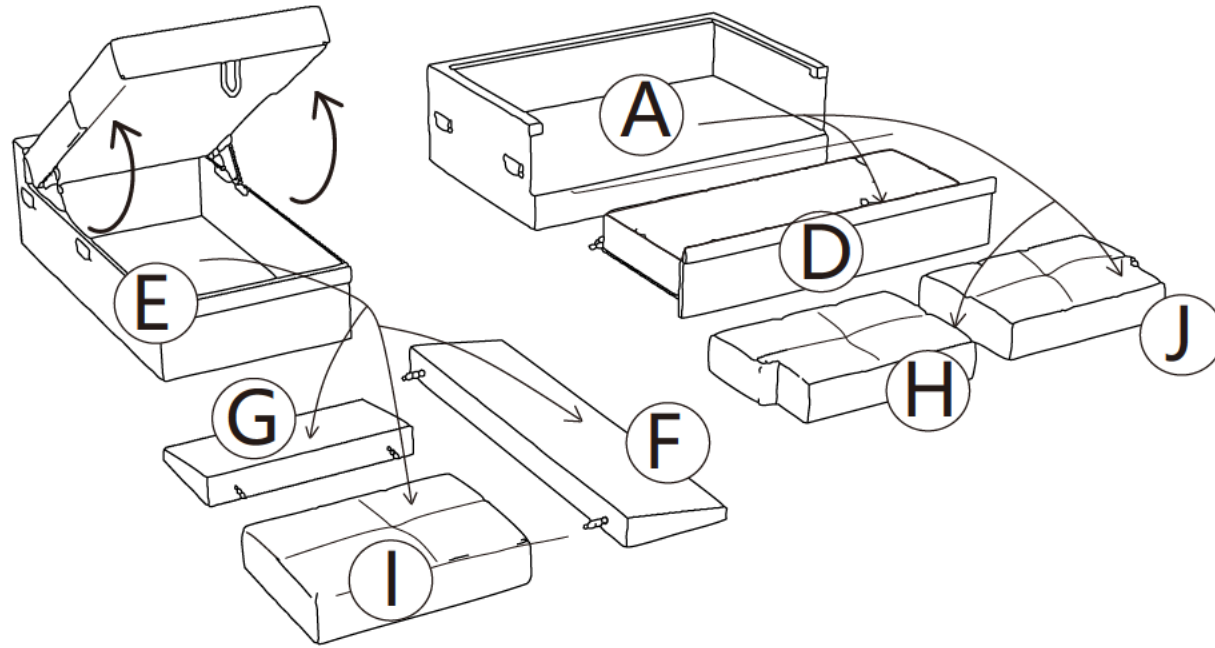


## PARTS LIST

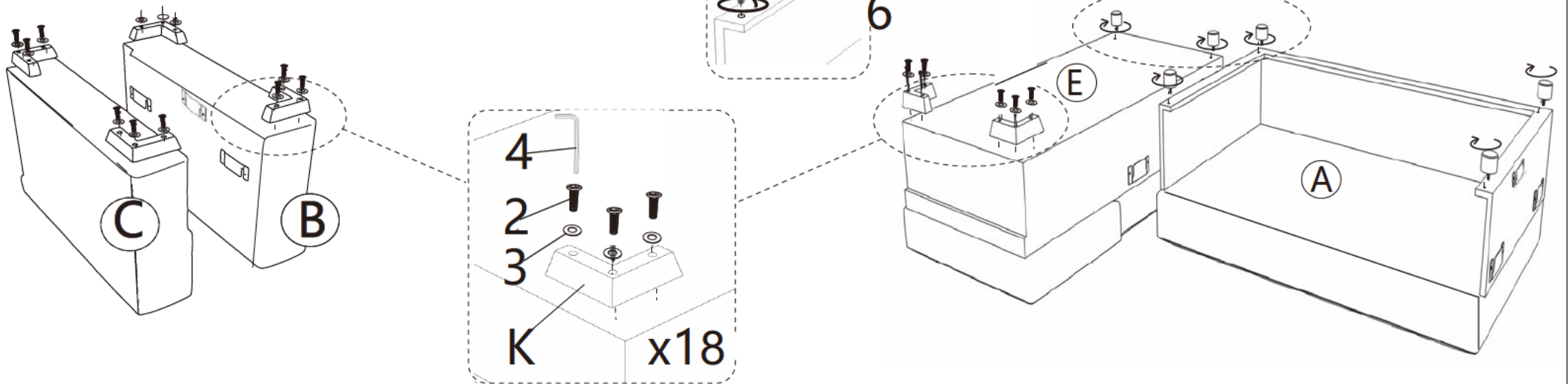
<b>A</b> x1	<b>B</b> x1	<b>C</b> x1	<b>D</b> x1	<b>E</b> x1	<b>F</b> x1
<b>G</b> x1	<b>H</b> x1	<b>I</b> x1	<b>J</b> x1	<b>K</b> x6	<b>L</b> x6

## HARDWARE LIST

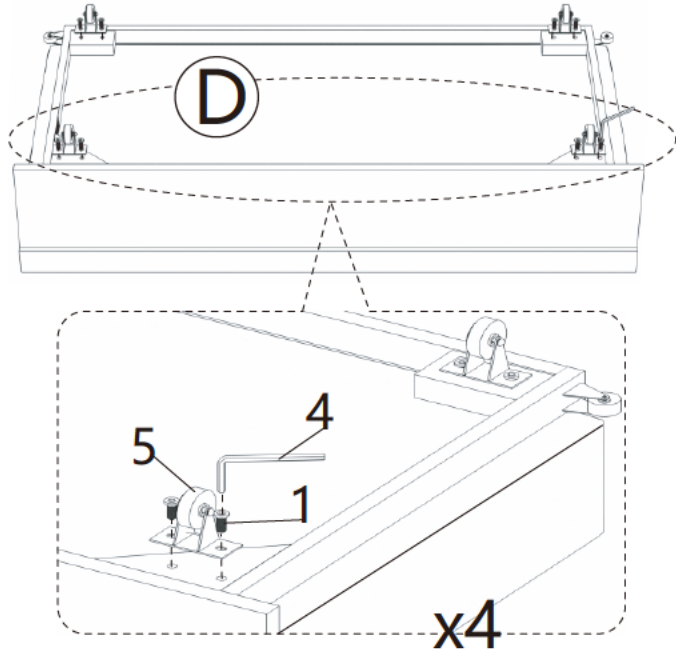
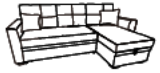
<b>1</b> x8	<b>2</b> x18	<b>3</b> x18	<b>4</b> x1	<b>5</b> x4	<b>6</b> x2



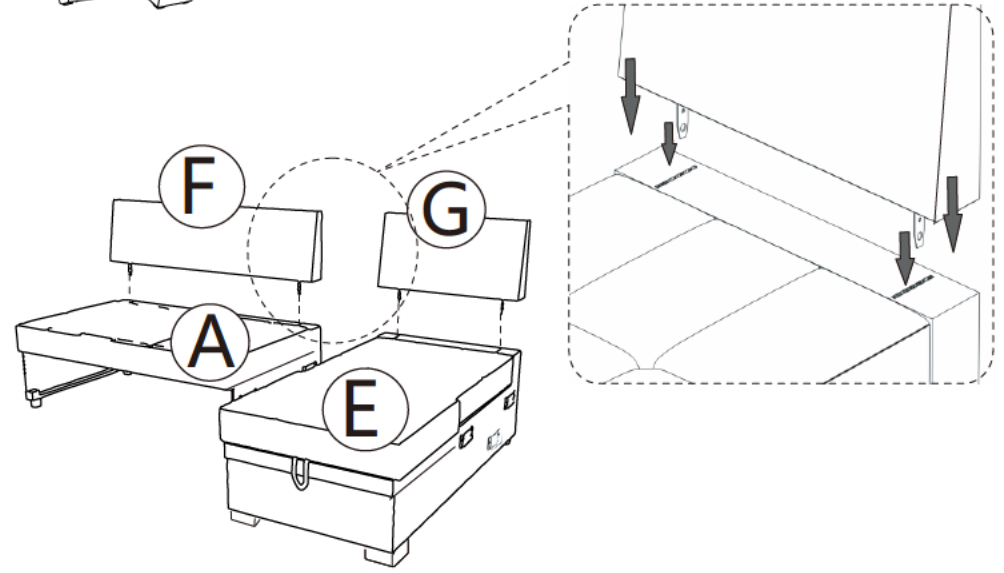
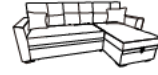
### Step 1-R



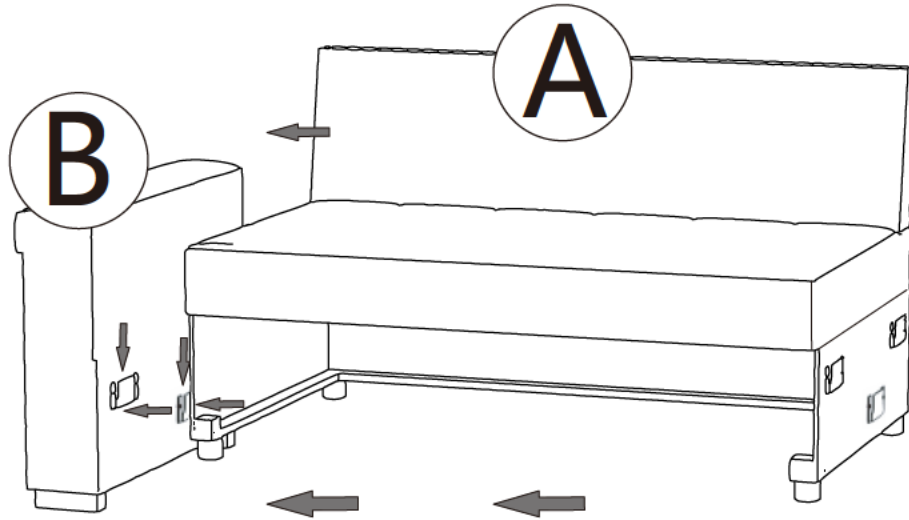
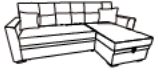
### Step2-R



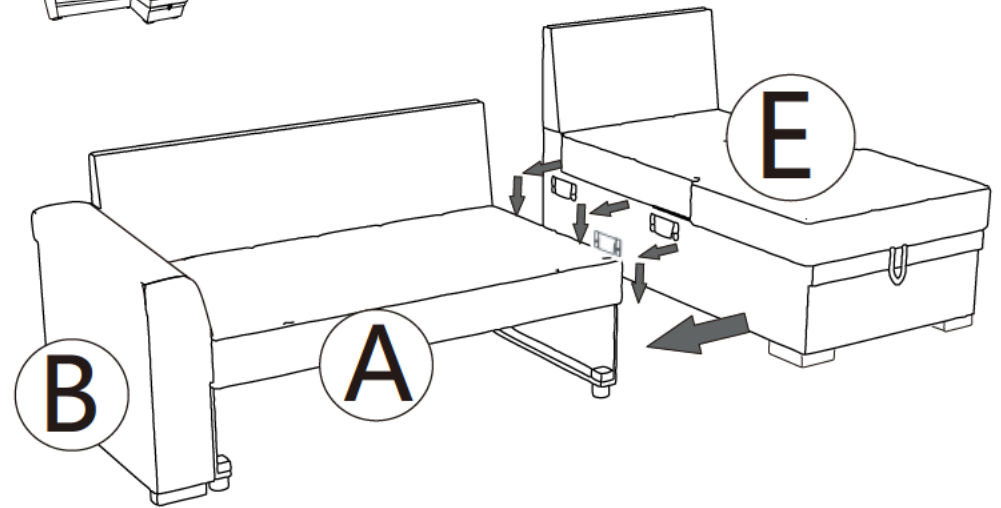
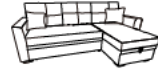
### Step3-R



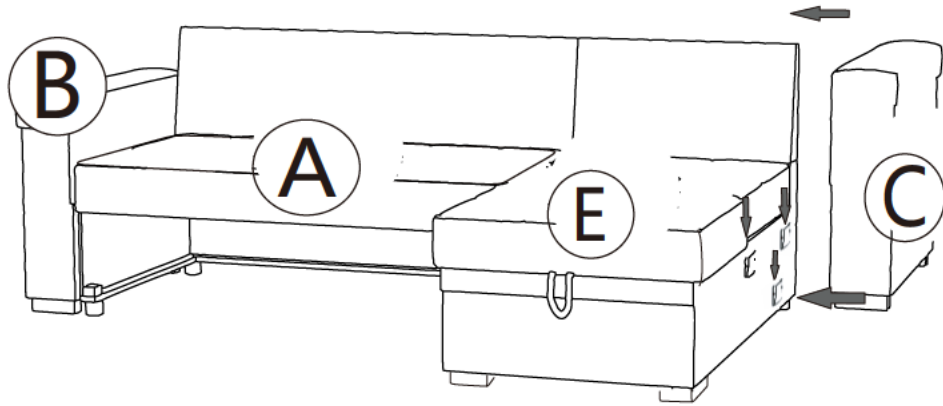
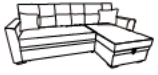
### Step4-R



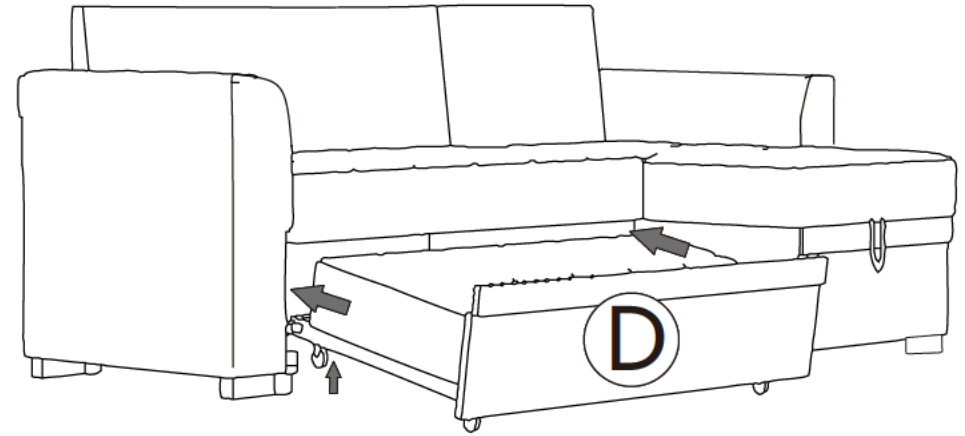
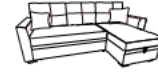
### Step5-R



### Step6-R



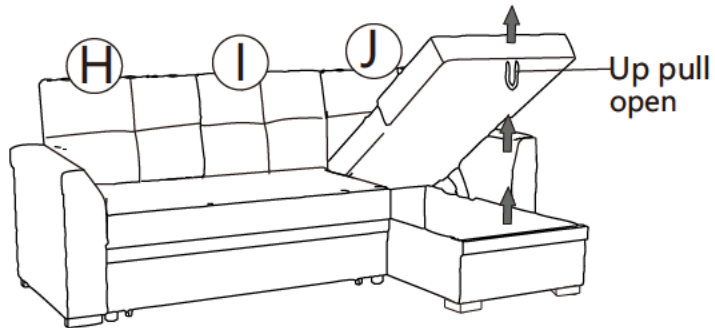
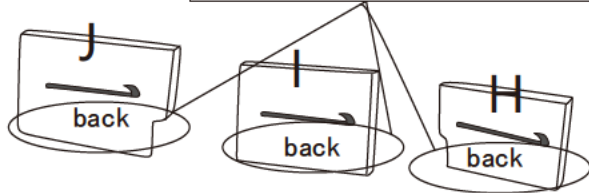
### Step7-R



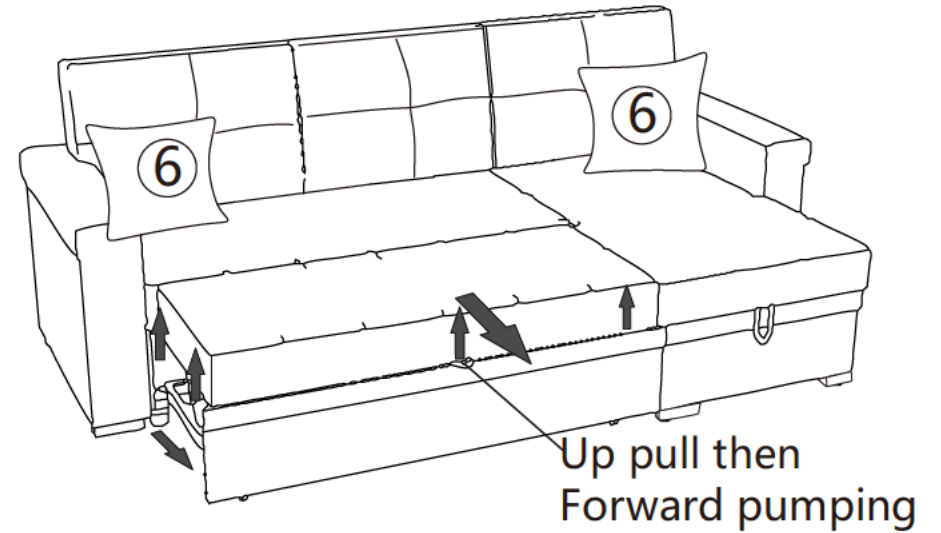
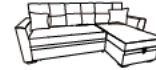
### Step8-R



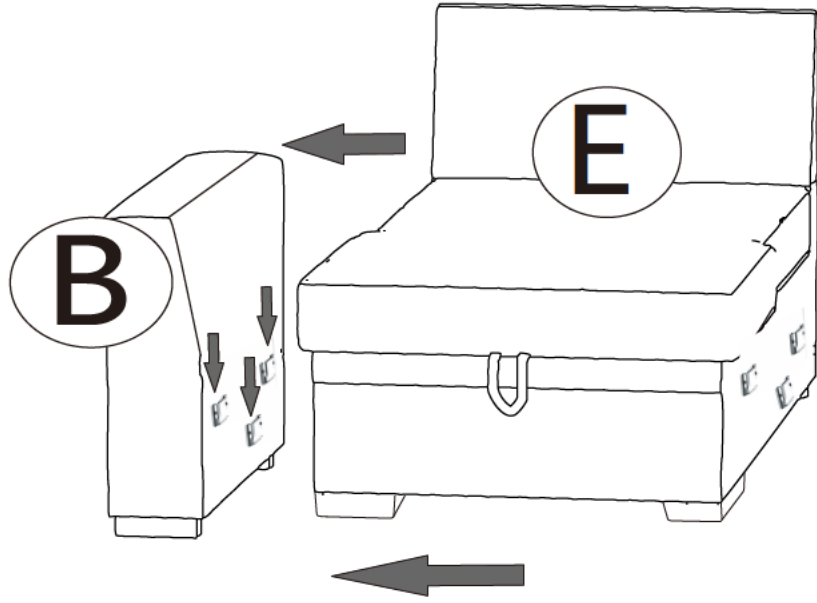
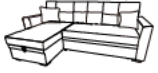
Please kindly remove the black cover tape from the velcro before you place the cushion on top.



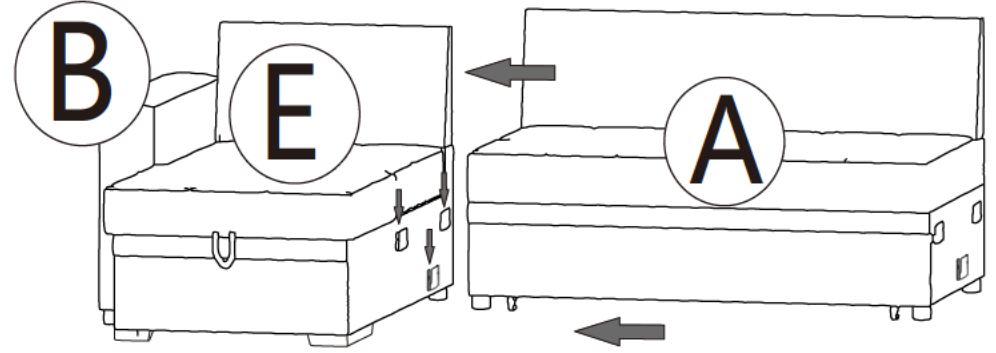
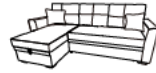
### Step9-R



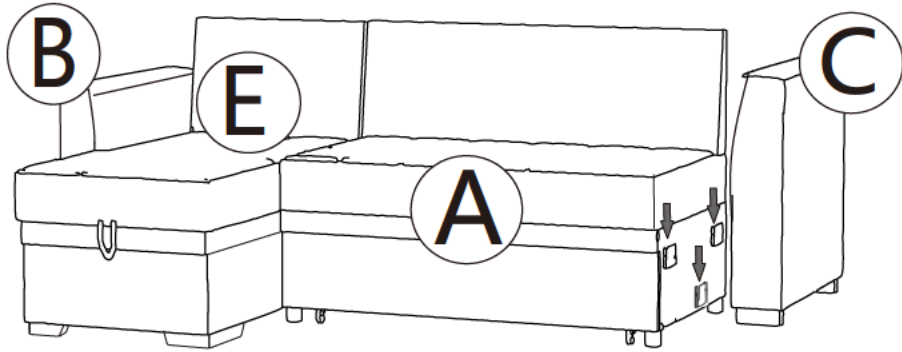
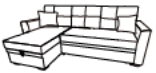
### Step1-L



### Step2-L



### Step3-L



### Step4-L

