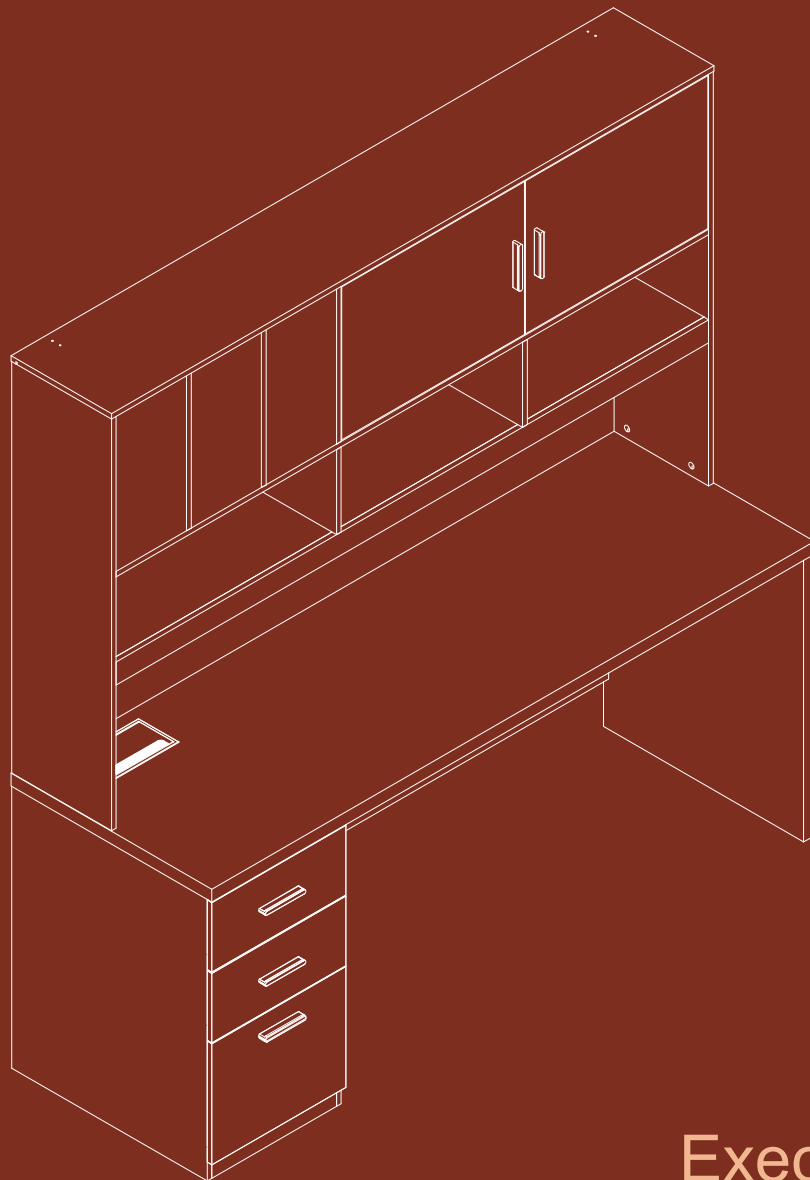




ModernMate

ASSEMBLY INSTRUCTION



Executive Desk
with Hutch

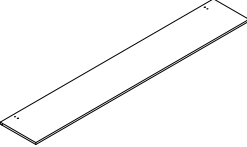
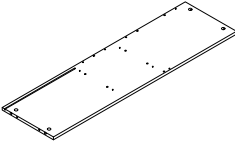
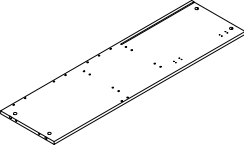
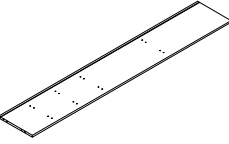
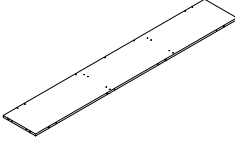
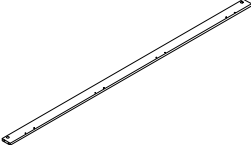
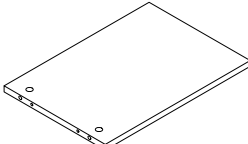
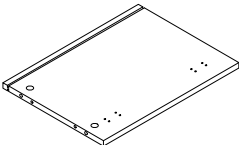
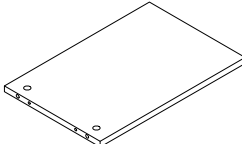
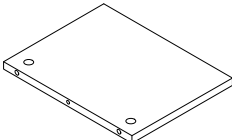
INTRODUCTION

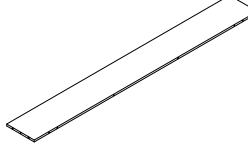
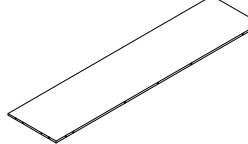
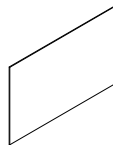
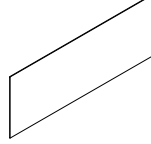
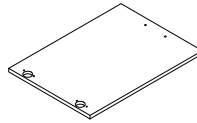
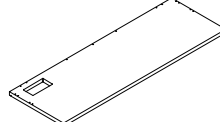
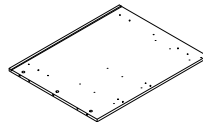
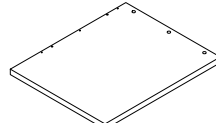
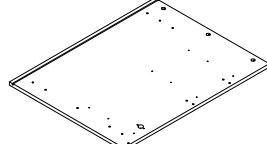
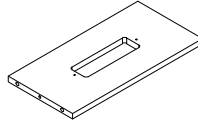
Thank you for purchasing our products. Please read the instructions carefully before installation and keep it in a safe place for future reference. If you need any assistance or support, please feel free to contact our customer support team.

PRECAUTIONS

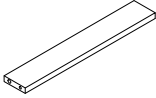
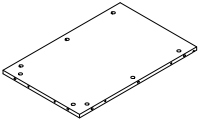
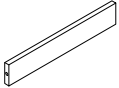
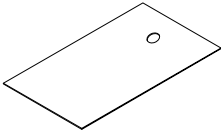
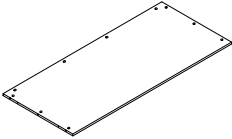
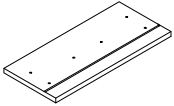
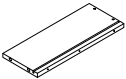
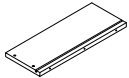
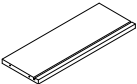
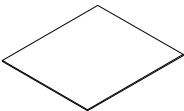
1. There are many components and accessories in the package. Each component and accessory is labeled with a letter or a number, check carefully before using any of them. Keep them away from children to prevent accidents.
 2. Please install the product on a clean and soft underlay (such as carpet or cardboard) to avoid scratching or damaging the surface of the product.
 3. The main components of the product is relatively heavy. Please pay attention to safety during installation.
 4. The product is not stable during installation. Please do not move it randomly before it is completely installed.
 5. If you have any questions during installation, please contact the customer service in time.
- * Please be sure to follow the installation steps in the manual to avoid unnecessary losses caused by improper installation.
 - * If you need further assistance, please contact the customer service online.

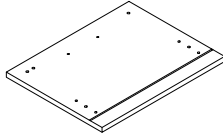
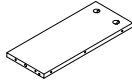
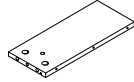
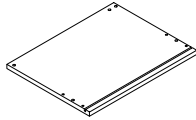
Parts List

ID	Parts	QTY
1		1
2		1
3		1
4		1
5		1
6		1
7		2
8		1
9		1
10		2


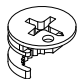

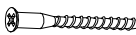


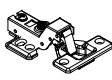
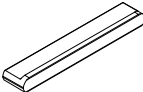


ID	Parts	QTY
11		1
12		1
13		1
14		1
15		2
16		1
17		1
18		1
19		1
20		1


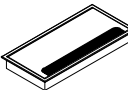
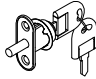

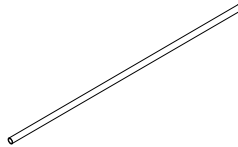





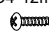

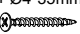

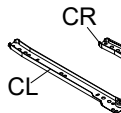


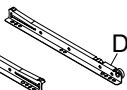
Hardware List

ID	Parts	QTY
21		2
22		1
23		1
24		1
25		1
26		2
27		2
28		2
29		2
30		3

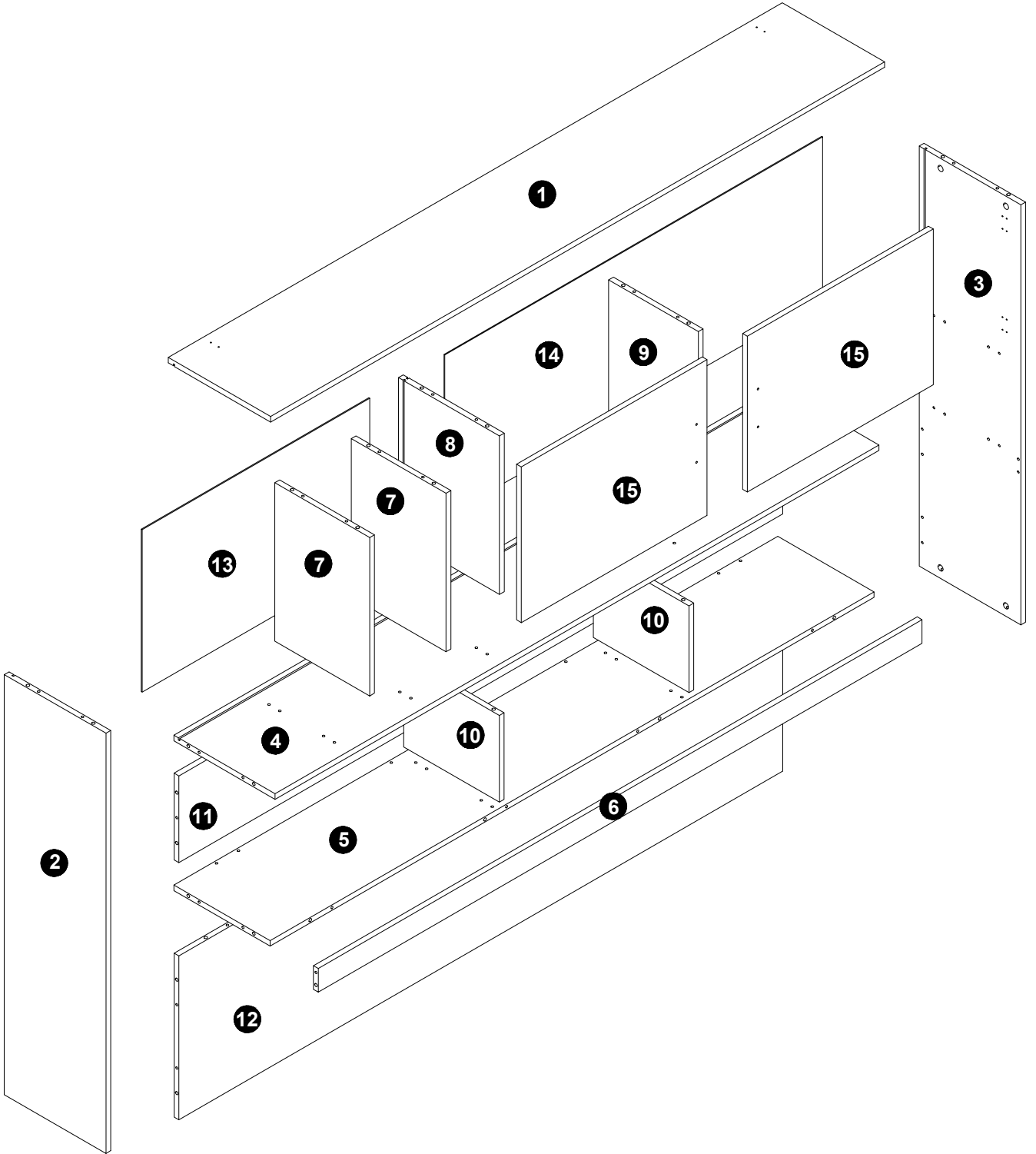
ID	Parts	QTY
31		1
32		1
33		1
34		1

Hardware List

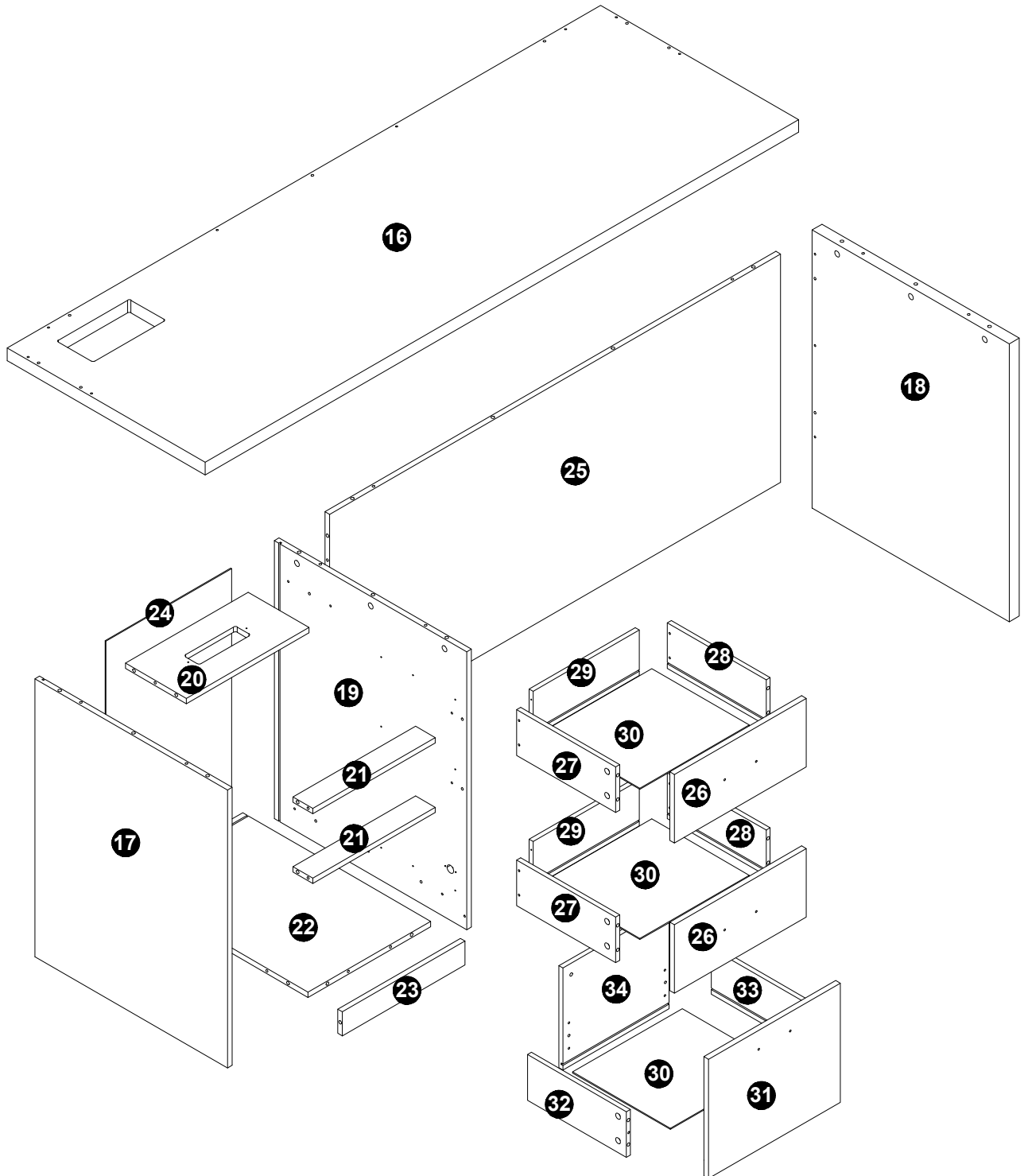
ID	Parts	QTY
A	Ø6*33.5mm 	103+10
B	Ø15*9.5mm 	103+10
C	Ø6*30mm 	90+9
D	Ø5*38mm 	16+1
E	Ø3.5*12mm 	40+4
F	Ø4*14mm 	24+2
G		4
H		5
I	M4*19mm 	10
J		6

ID	Parts	QTY
K		1
L		1
M		1
N	Ø4*38mm 	12+1
O		2
P		70+7
Q		33+3
R	Ø3*15mm  	12+1
S	    Ø4*12mm Ø6*30mm Ø4*35mm S1X2 S2X4 S3X2 S4X2	1 SET
T		1
J	   	3 SET

Parts List

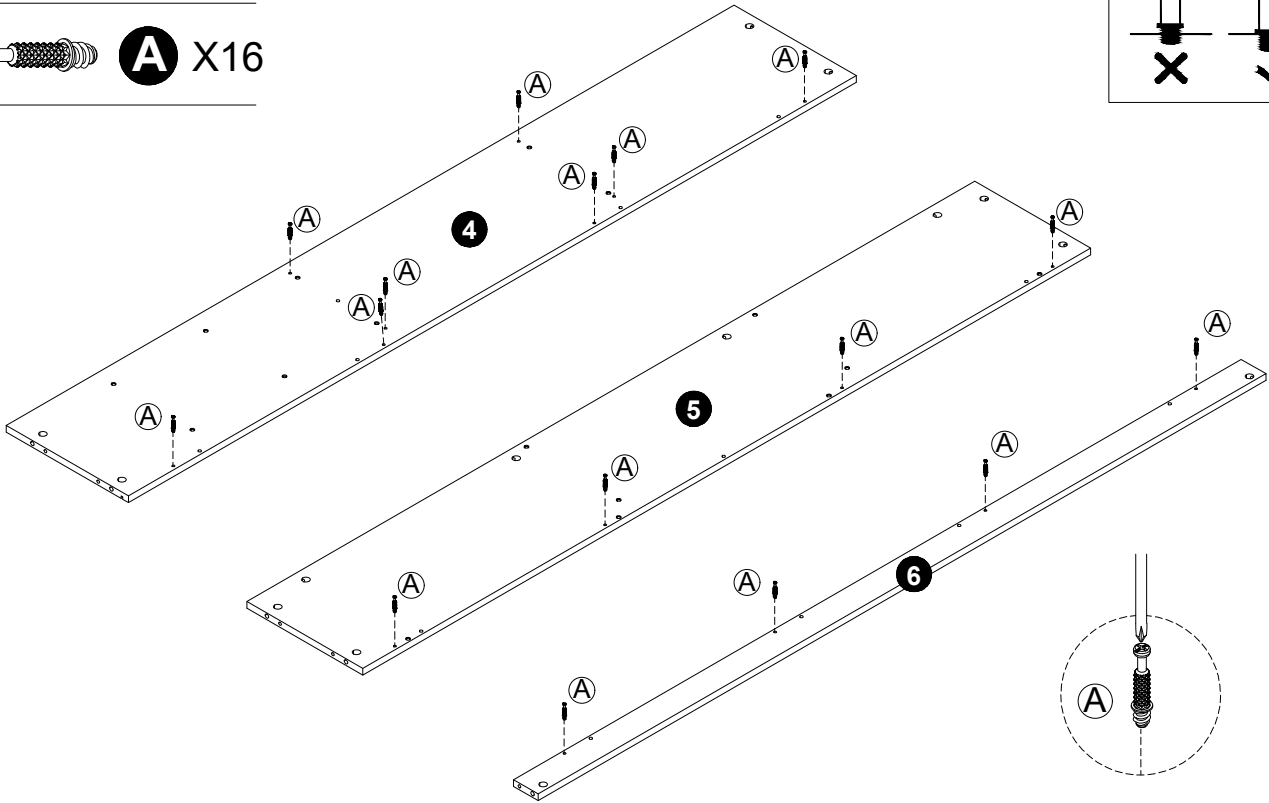
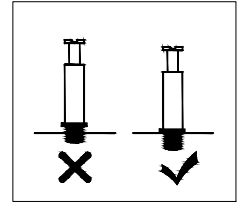


Parts List



STEP 1

 **A** X16

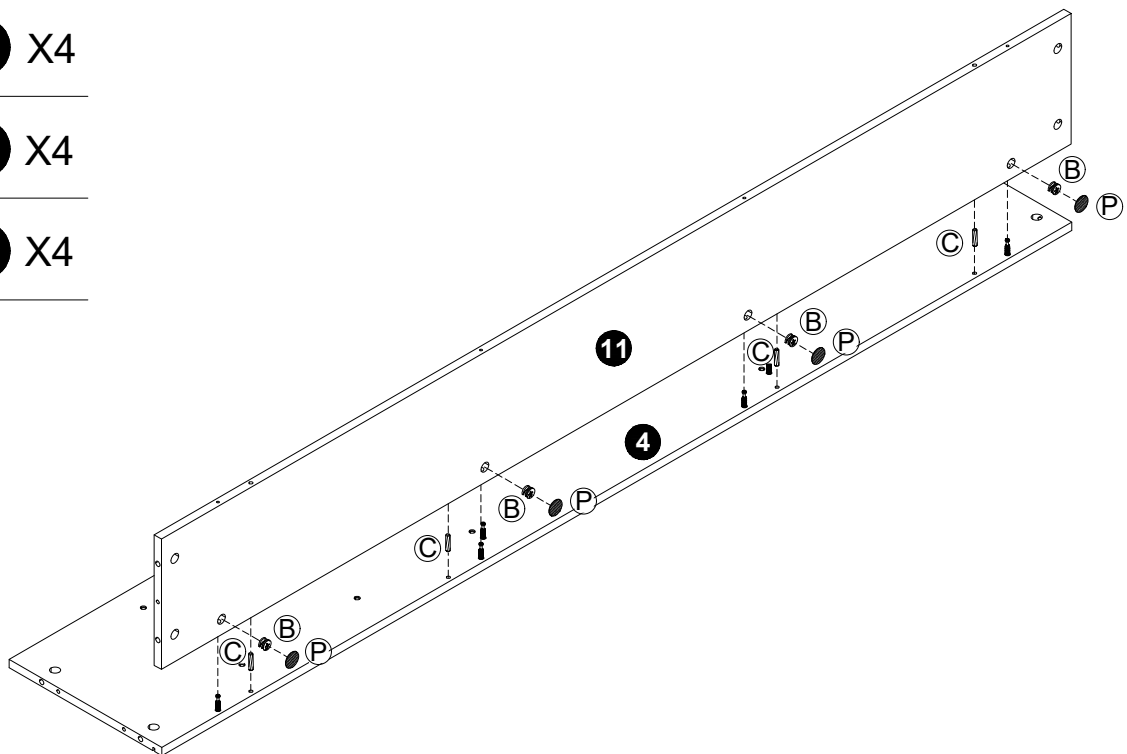


STEP 2

 **B** X4

 **C** X4

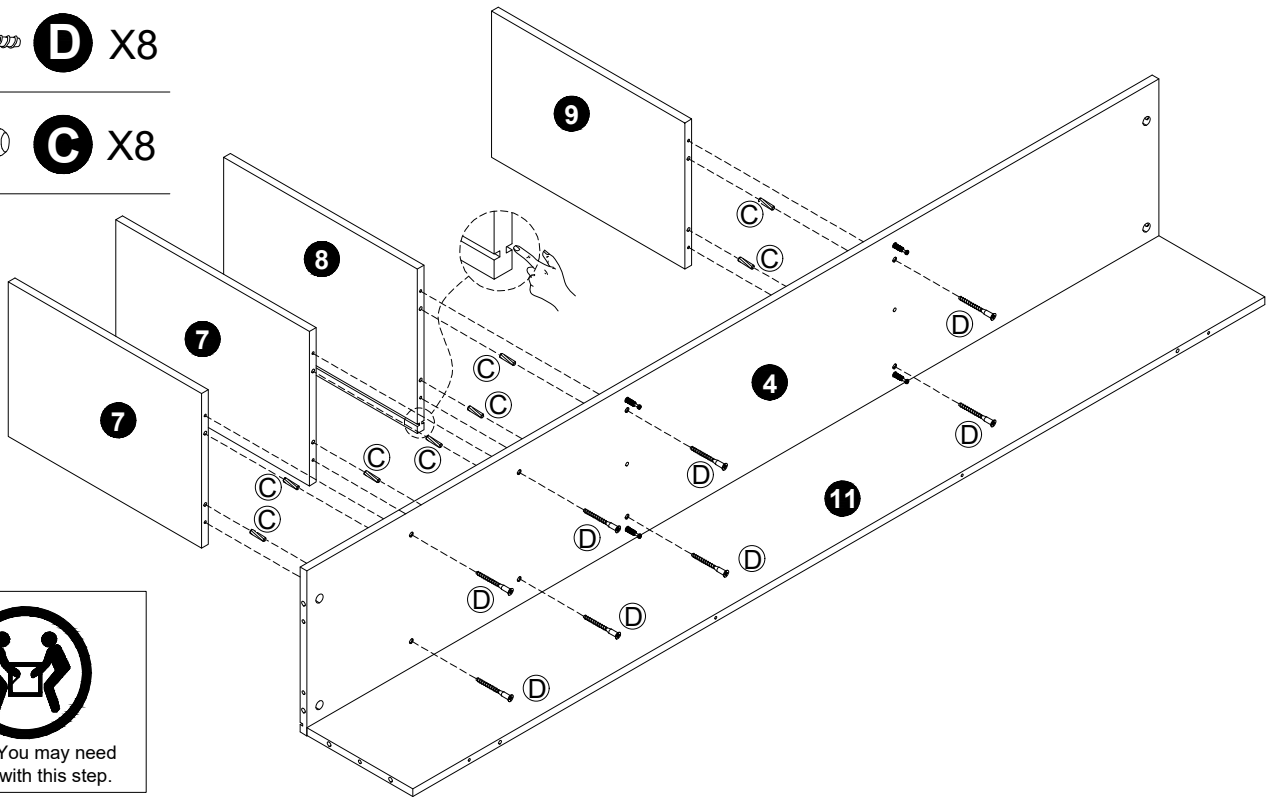
 **P** X4



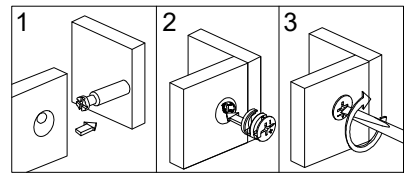
STEP 3

 **D** X8

 **C** X8



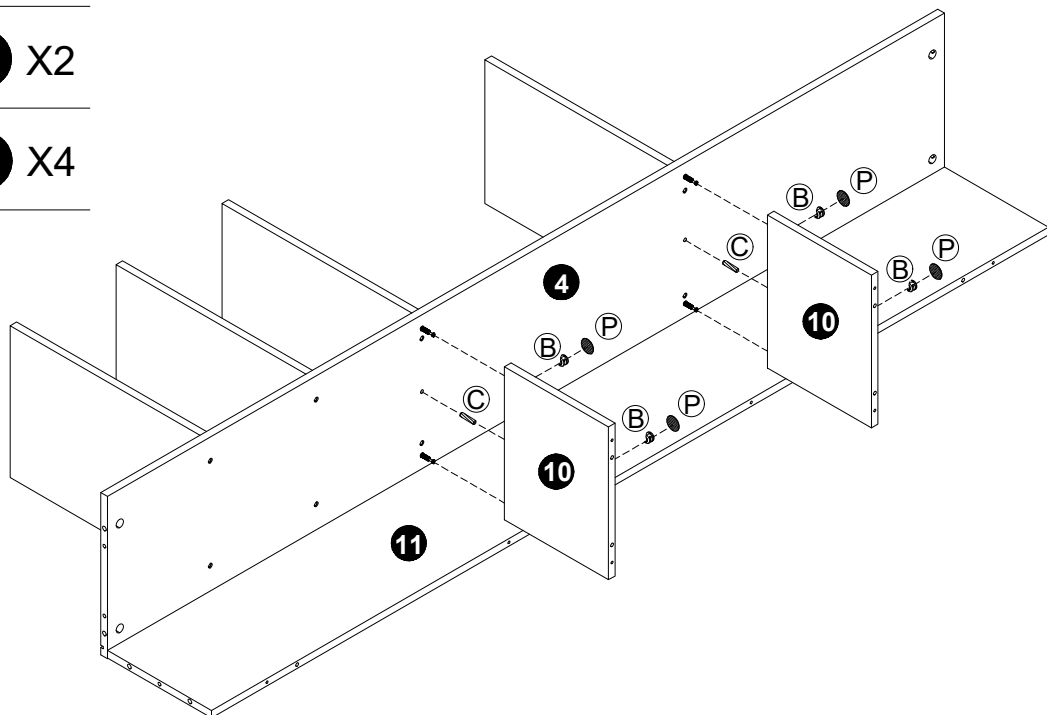
STEP 4



 **B** X4

 **C** X2

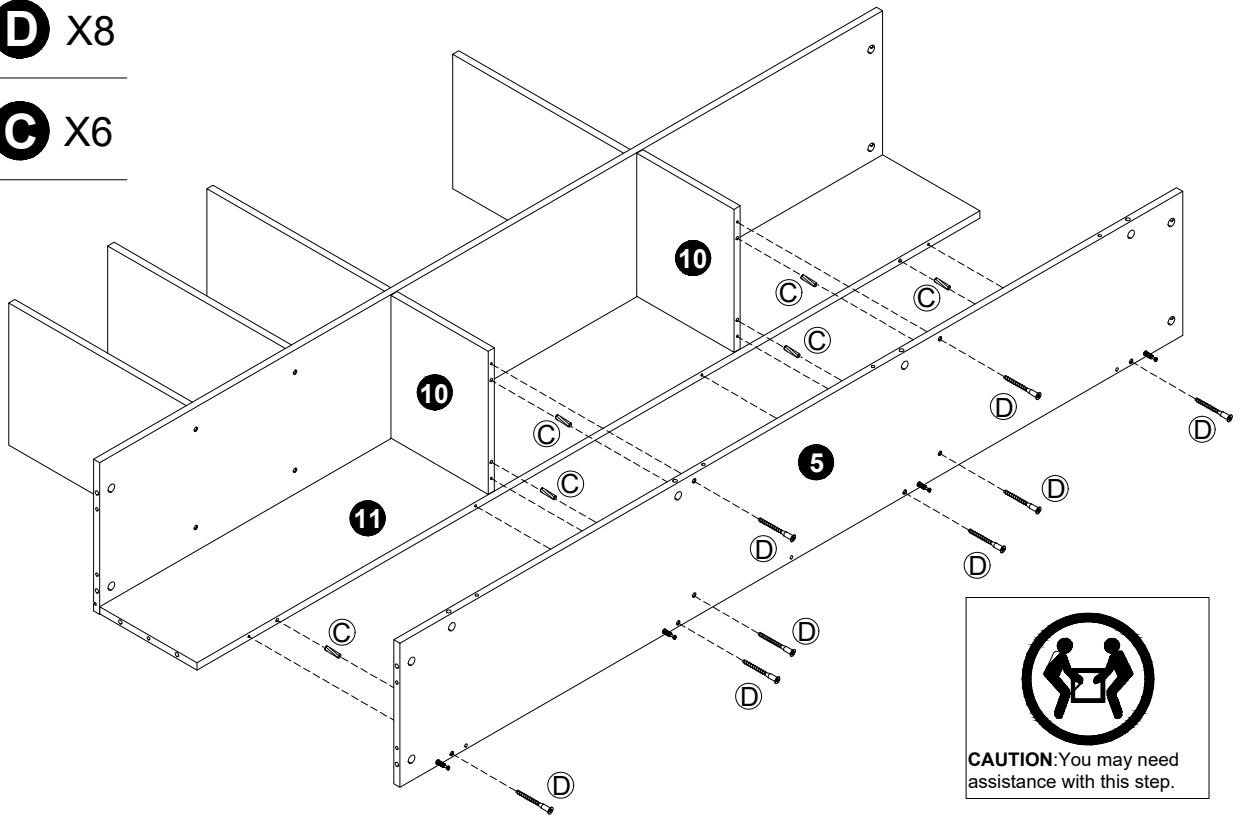
 **P** X4



STEP 5

 **D** X8

 **C** X6



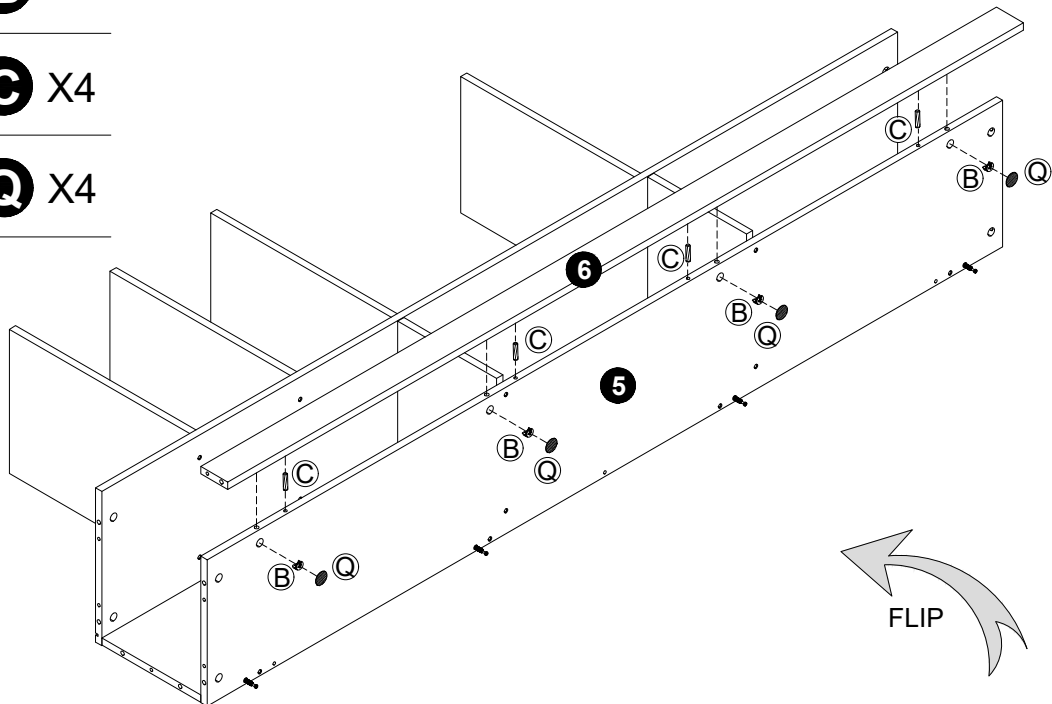
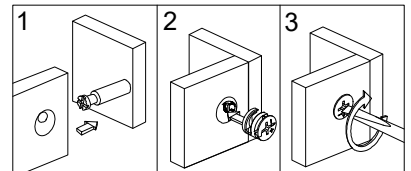

CAUTION: You may need assistance with this step.

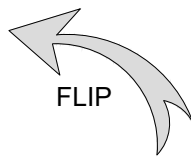
STEP 6

 **B** X4

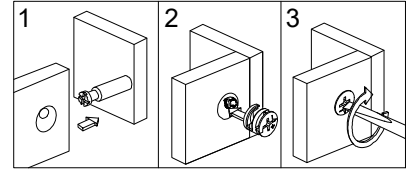
 **C** X4

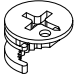
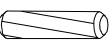
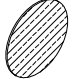
 **Q** X4

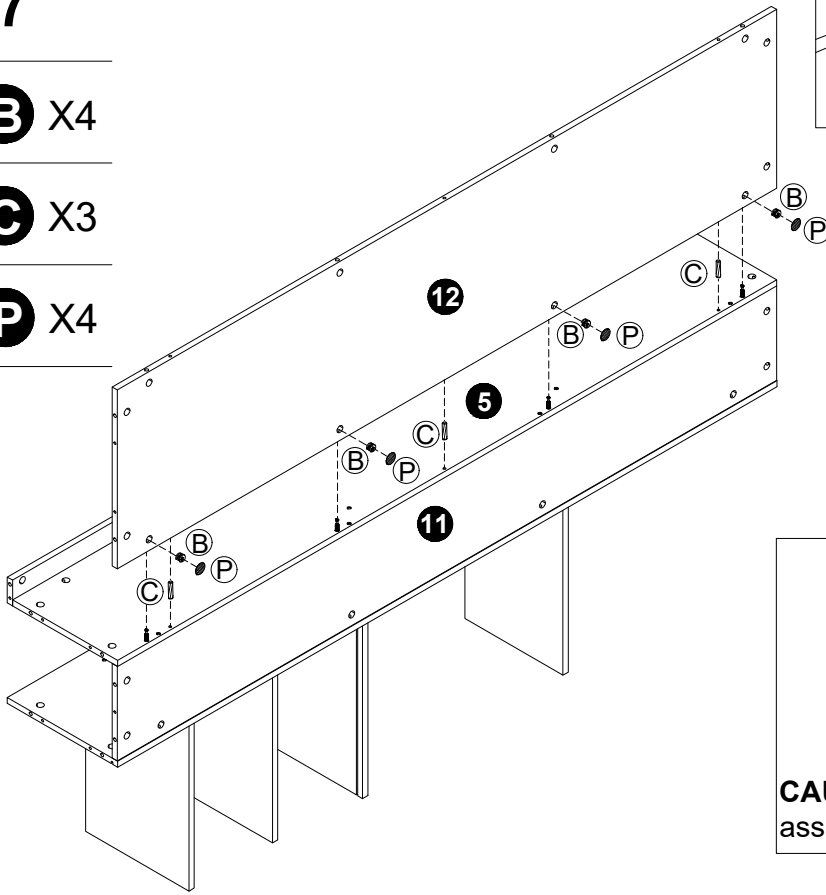


 **FLIP**

STEP 7



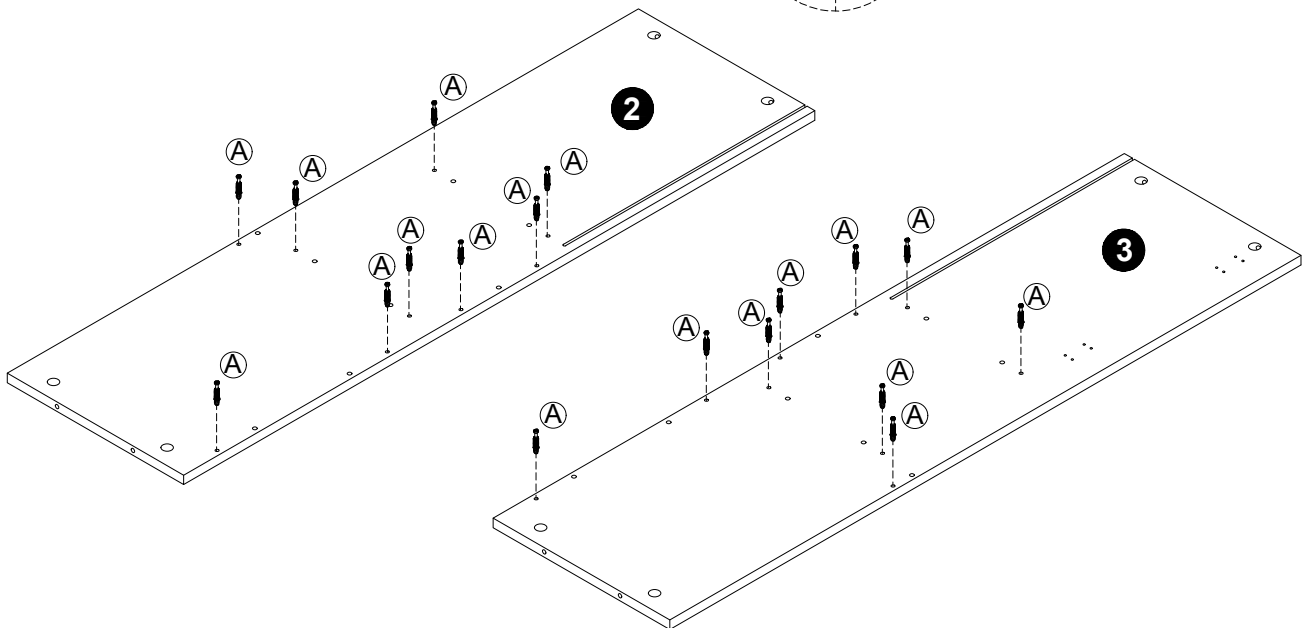
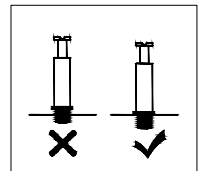
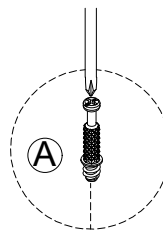
-  **B** X4
-  **C** X3
-  **P** X4



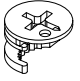
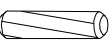
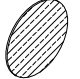

CAUTION: You may need assistance with this step.

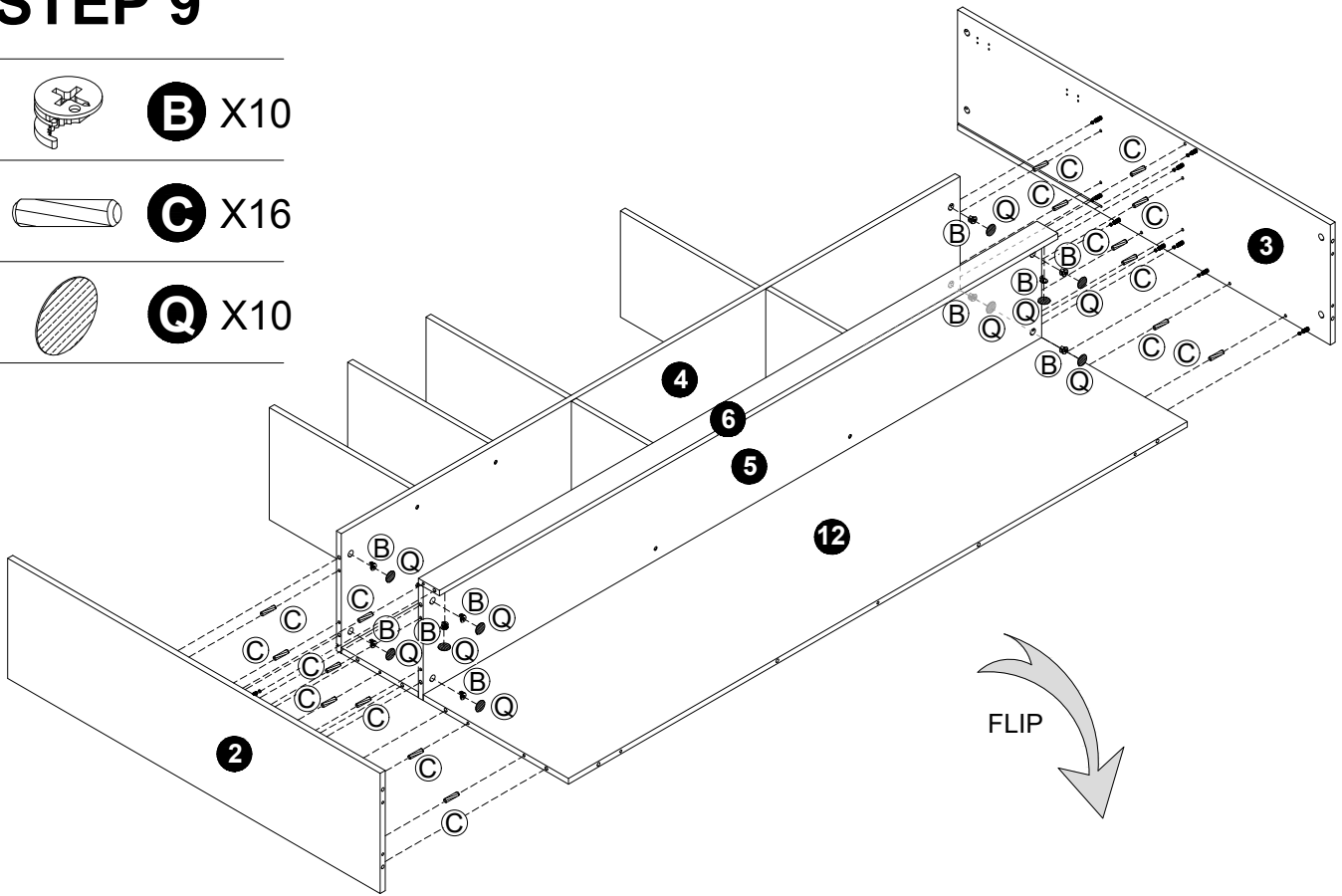
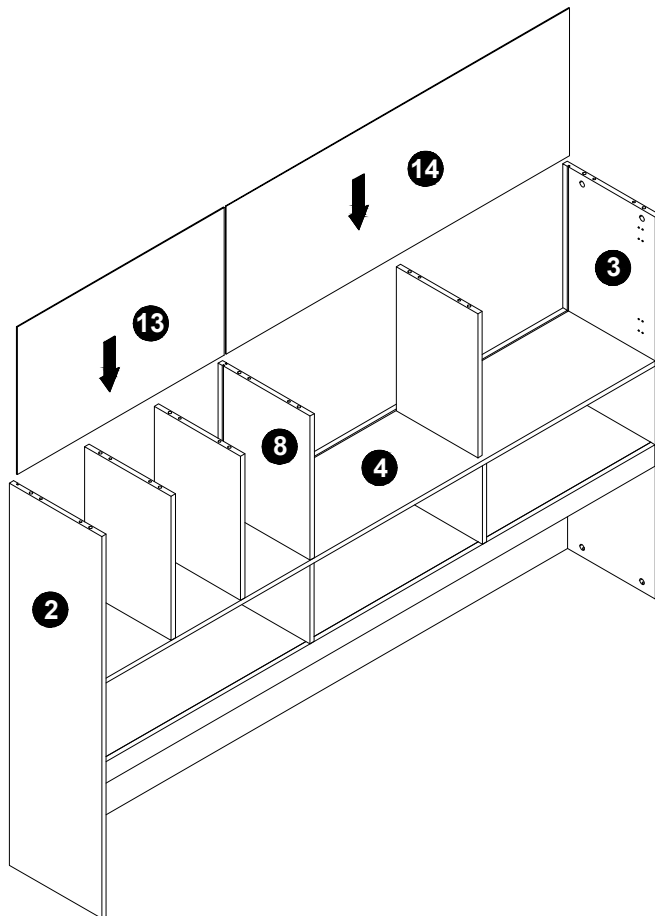
STEP 8

-  **A** X18



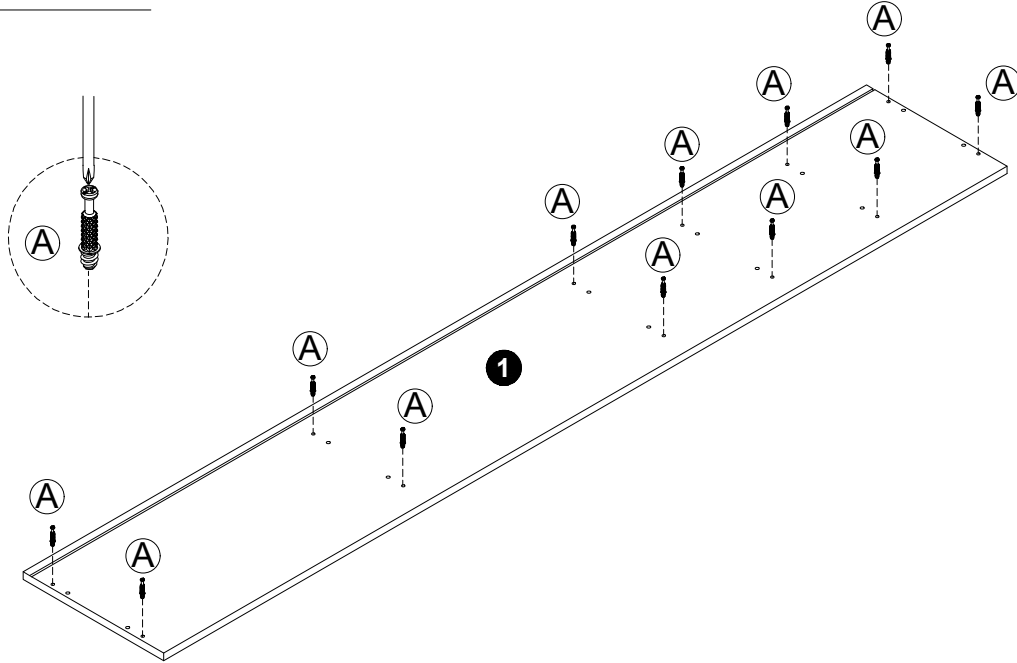
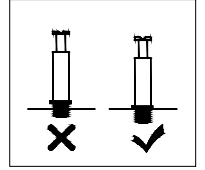
STEP 9

-  **B** X10
-  **C** X16
-  **Q** X10

**STEP 10**

STEP 11

 **A** X12



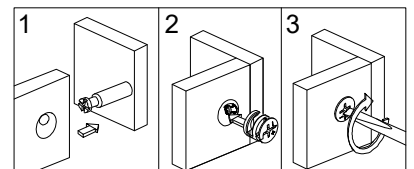
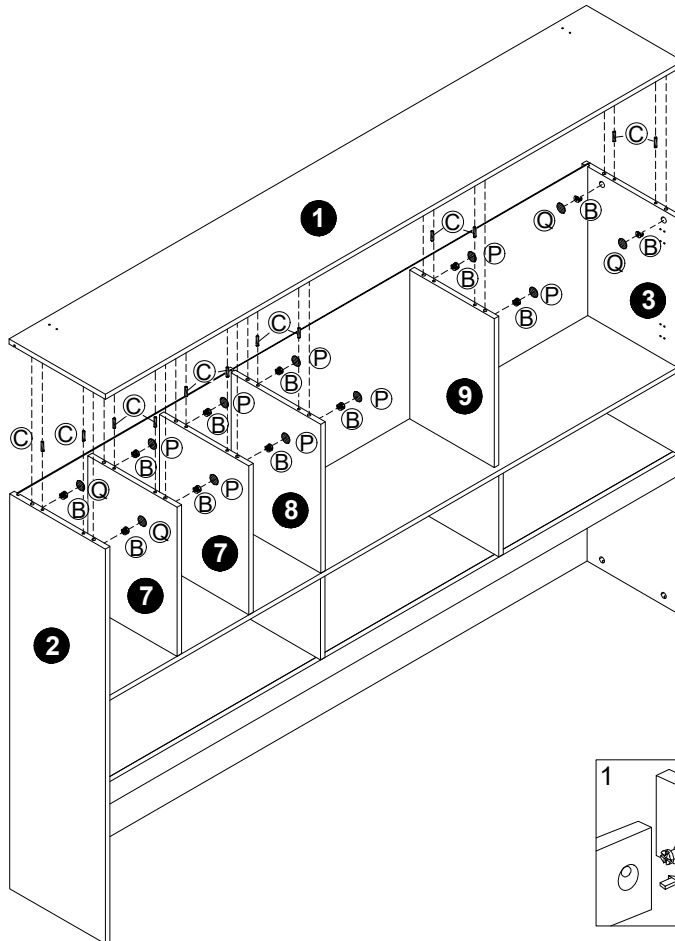
STEP 12

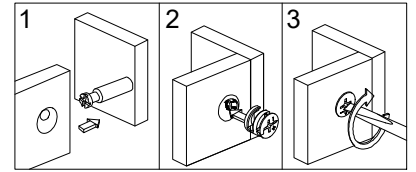
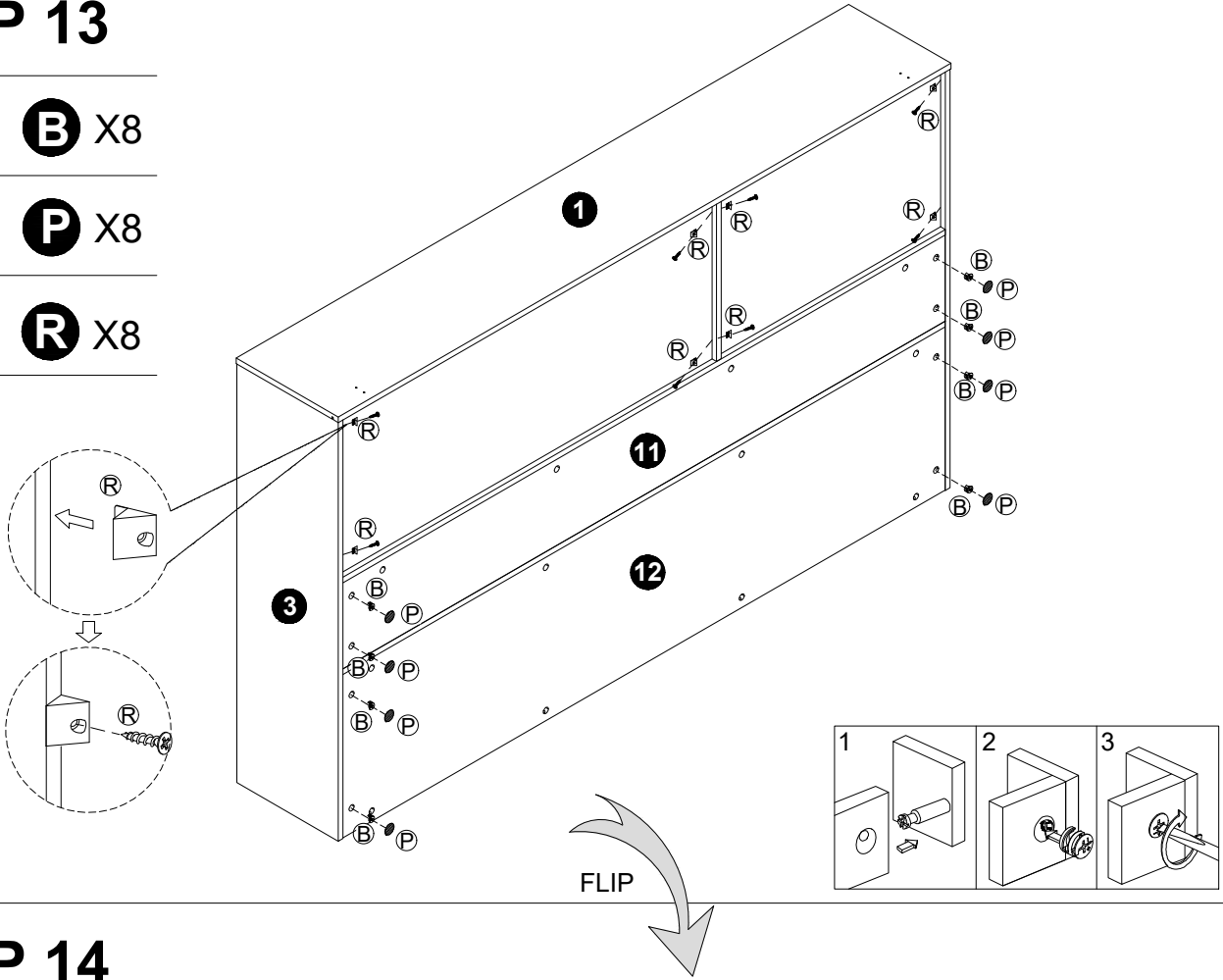
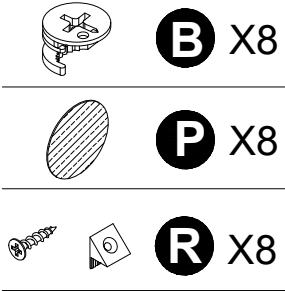
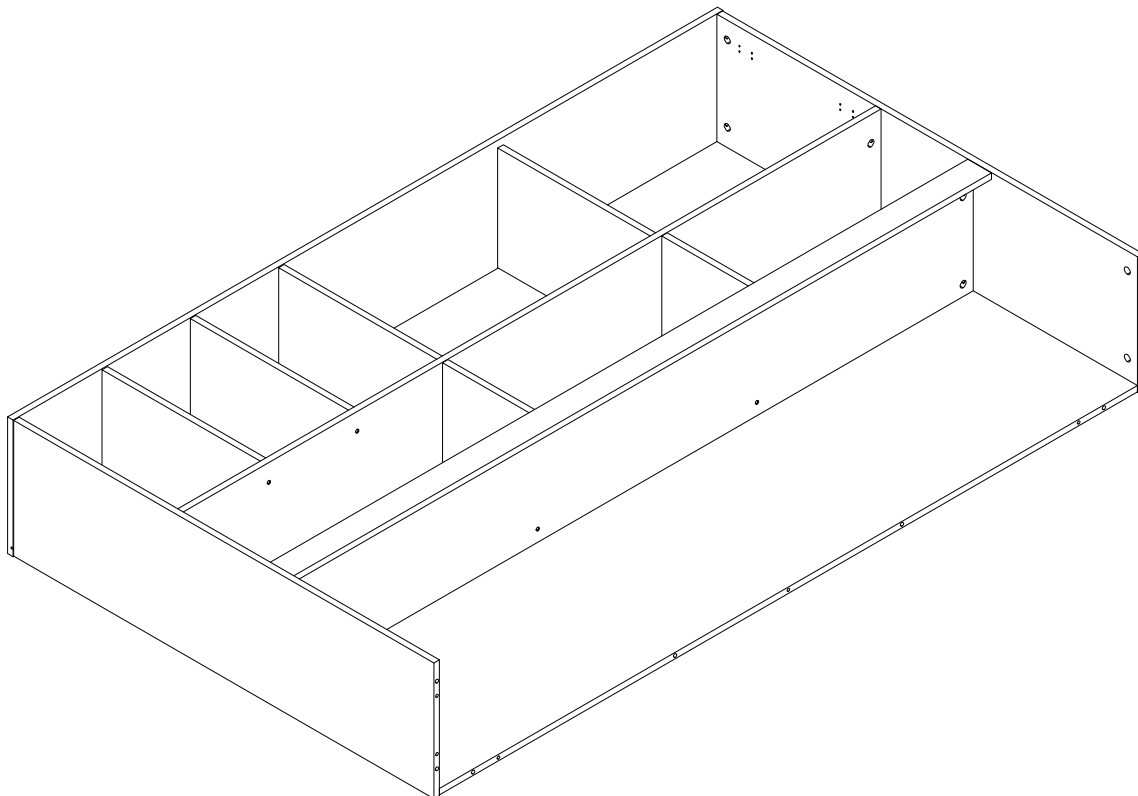
 **B** X12

 **C** X12

 **P** X8

 **Q** X4



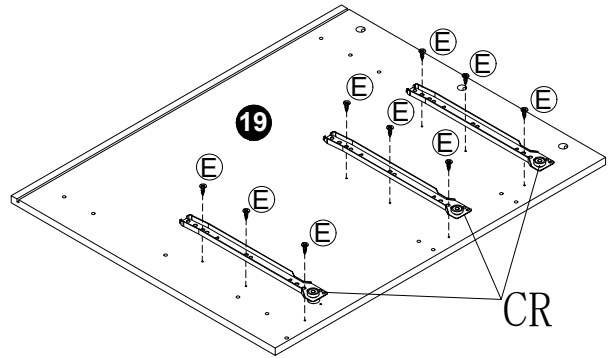
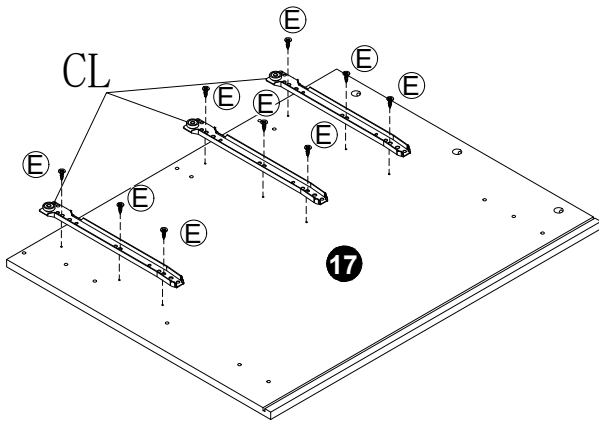
STEP 13**STEP 14**

STEP 15

CL **CL** X3

CR **CR** X3

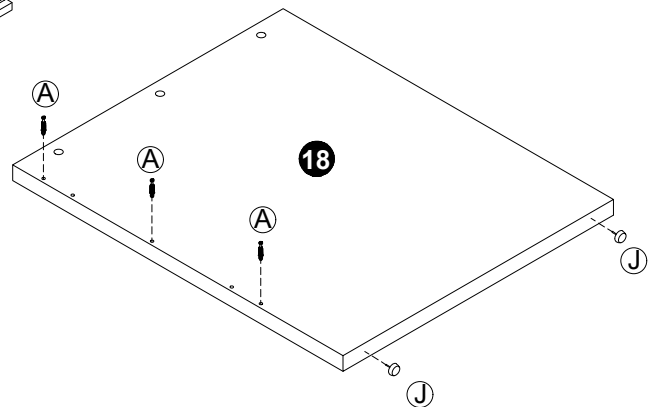
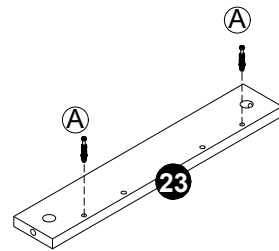
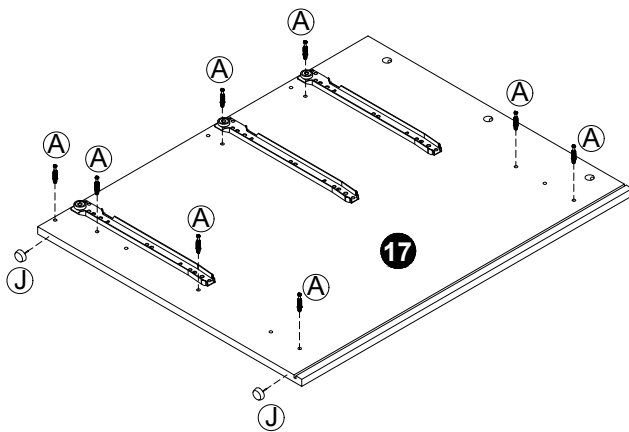
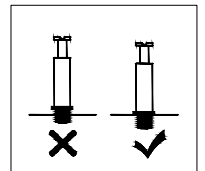
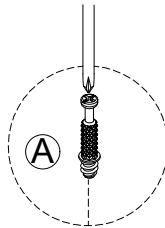
E X18



STEP 16

A X13

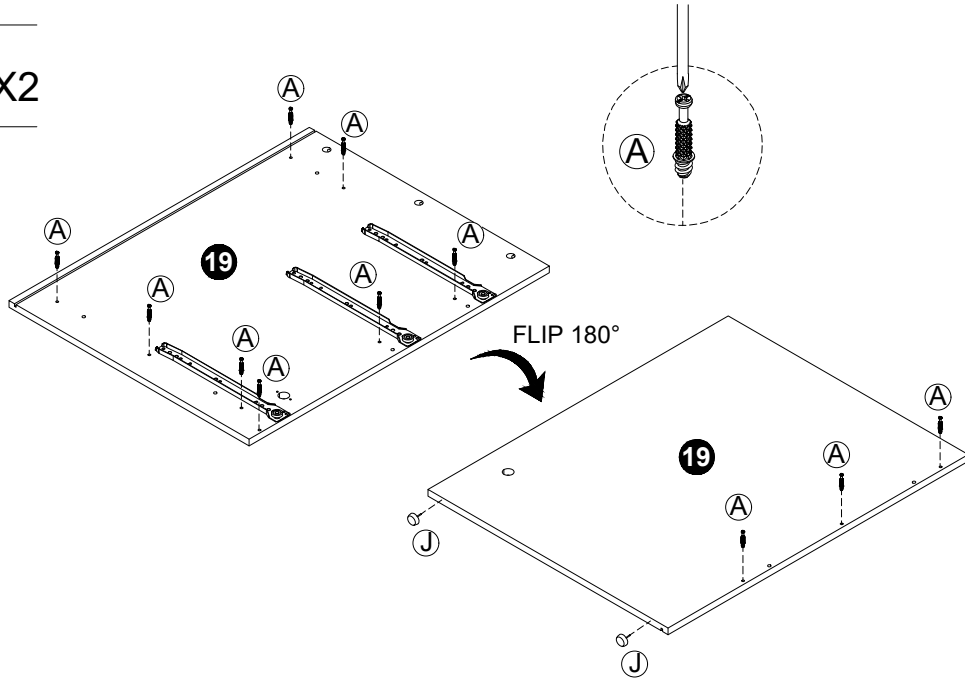
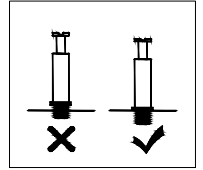
J X4



STEP 17

 **A** X11

 **J** X2

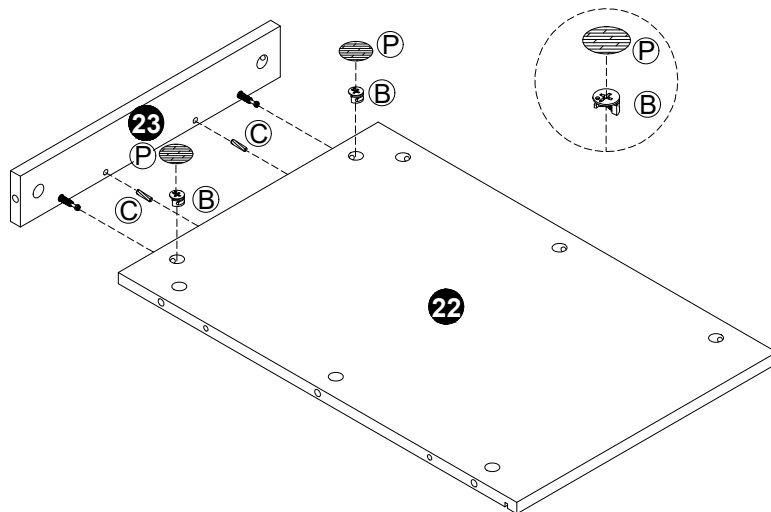
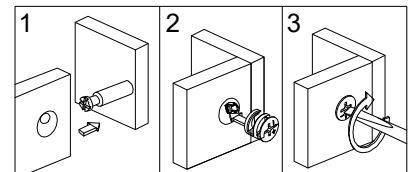


STEP 18

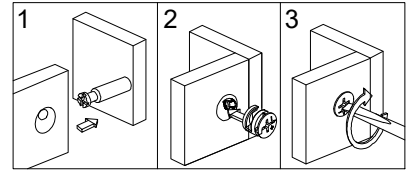
 **B** X2

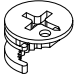
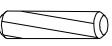
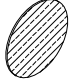
 **C** X2

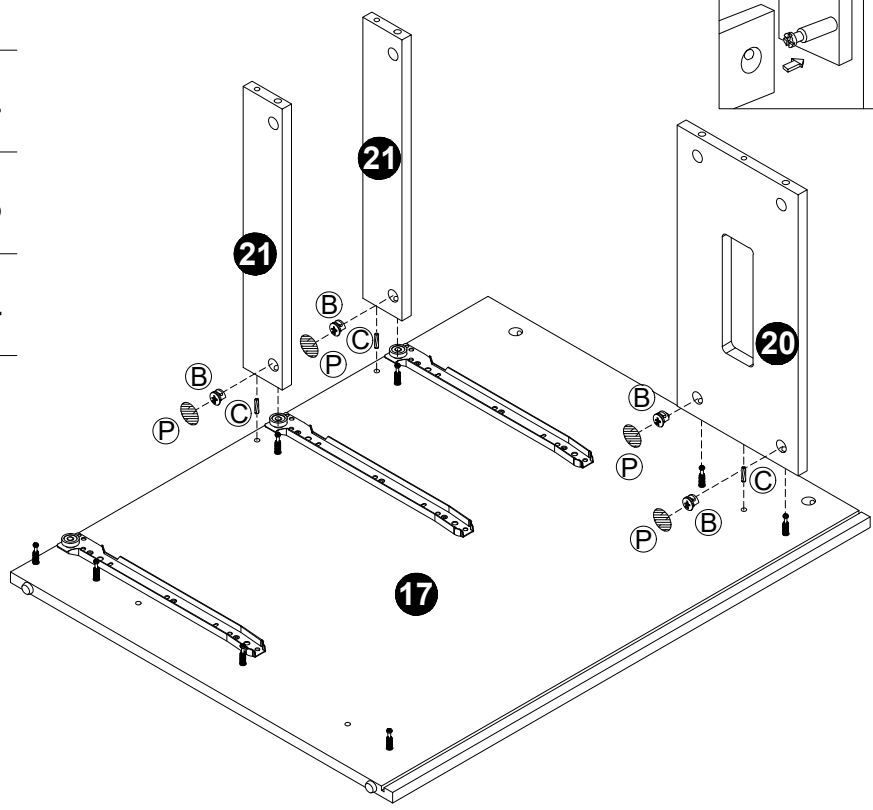
 **P** X2



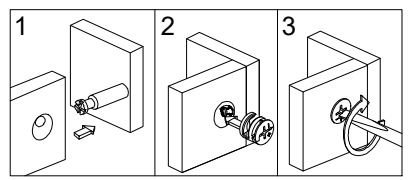
STEP 19


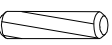




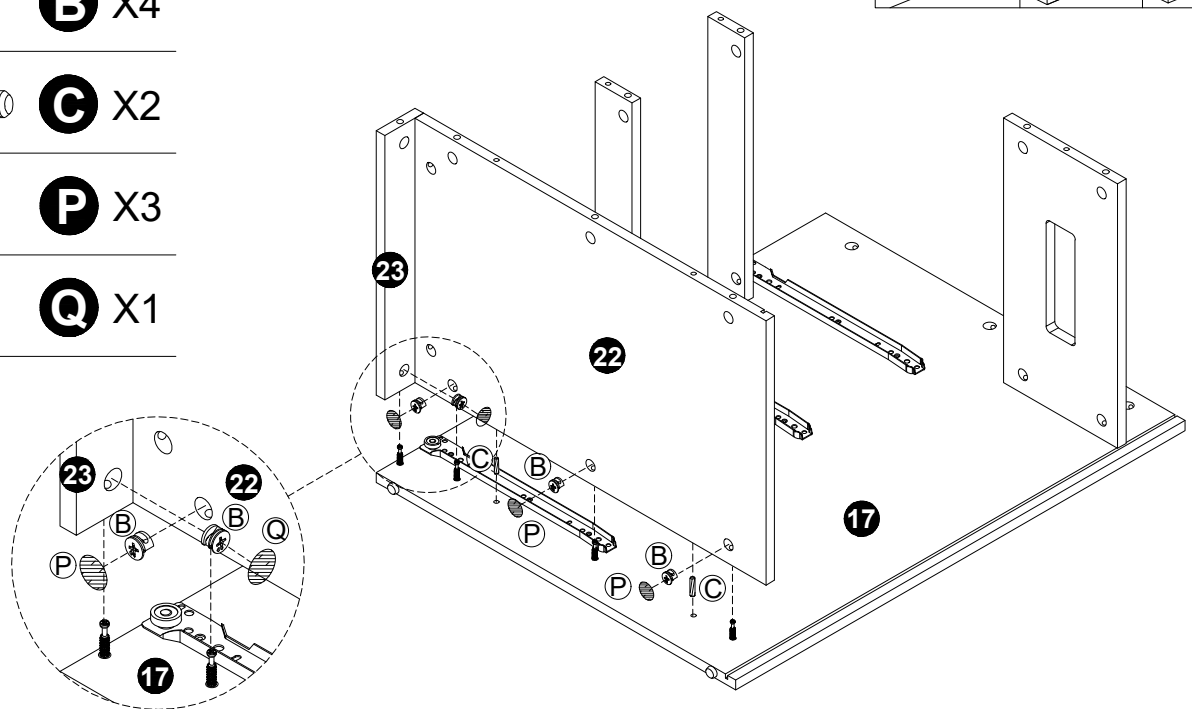
-  **B** X4
-  **C** X3
-  **P** X4



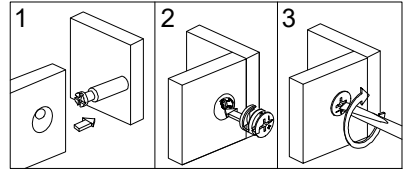
STEP 20



-  **B** X4
-  **C** X2
-  **P** X3
-  **Q** X1



STEP 21

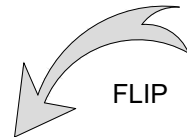
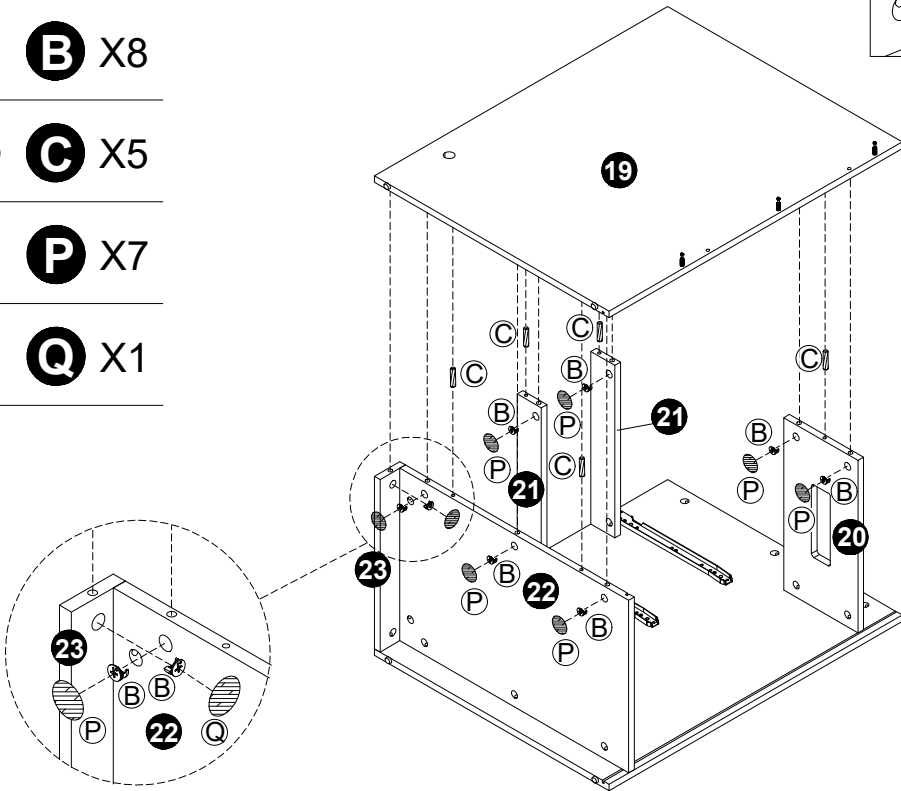


B X8

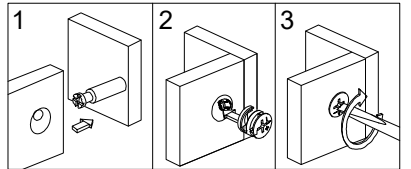
C X5

P X7

Q X1



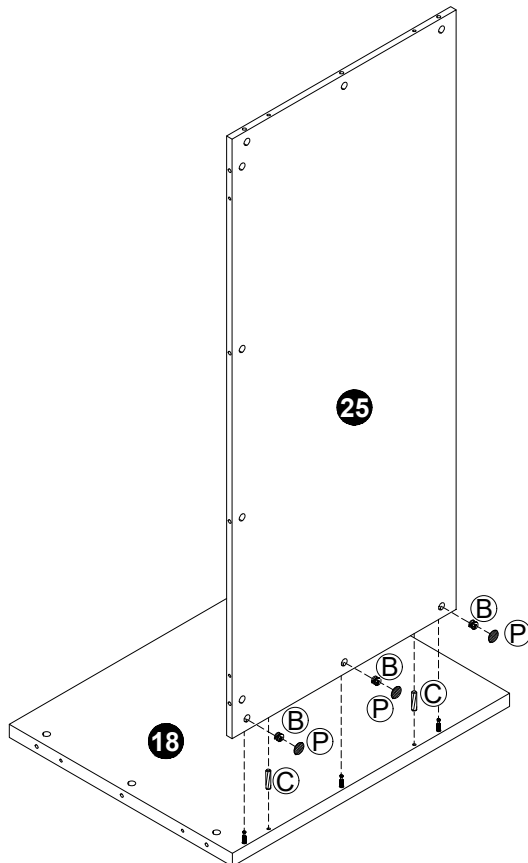
STEP 22



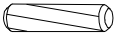
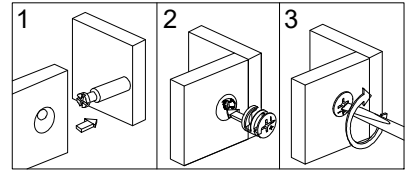
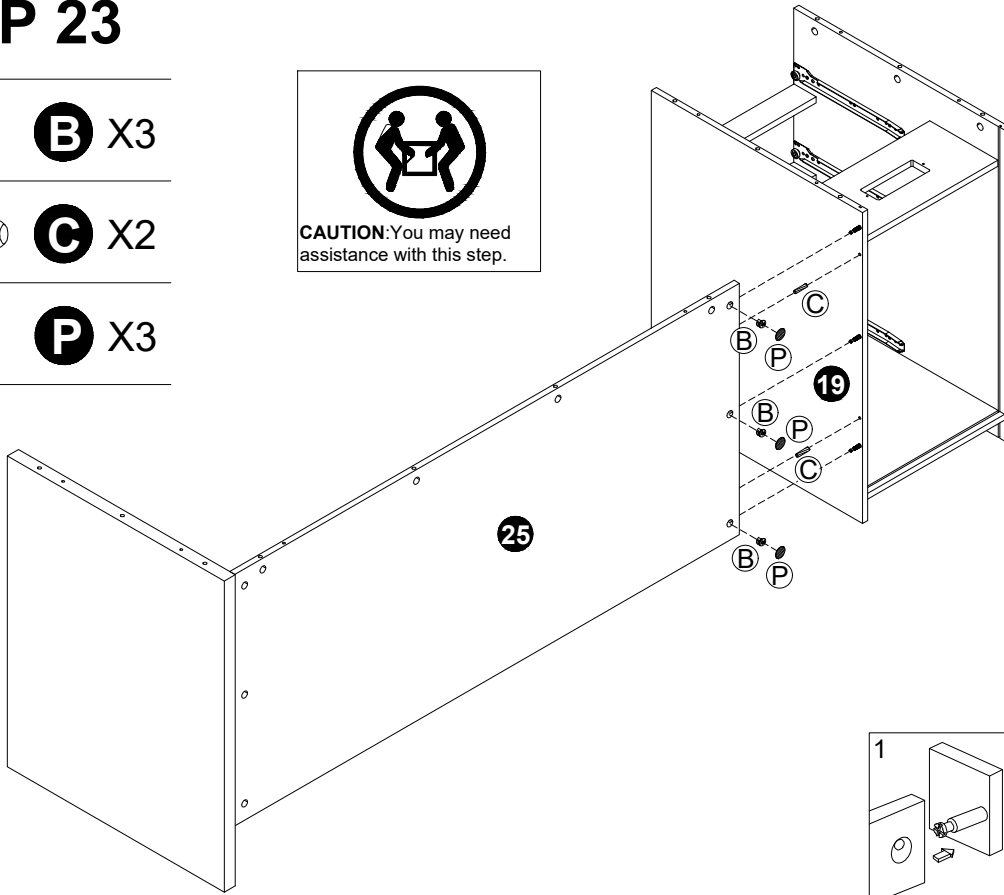
B X3

C X2

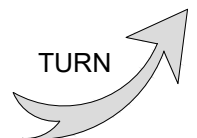
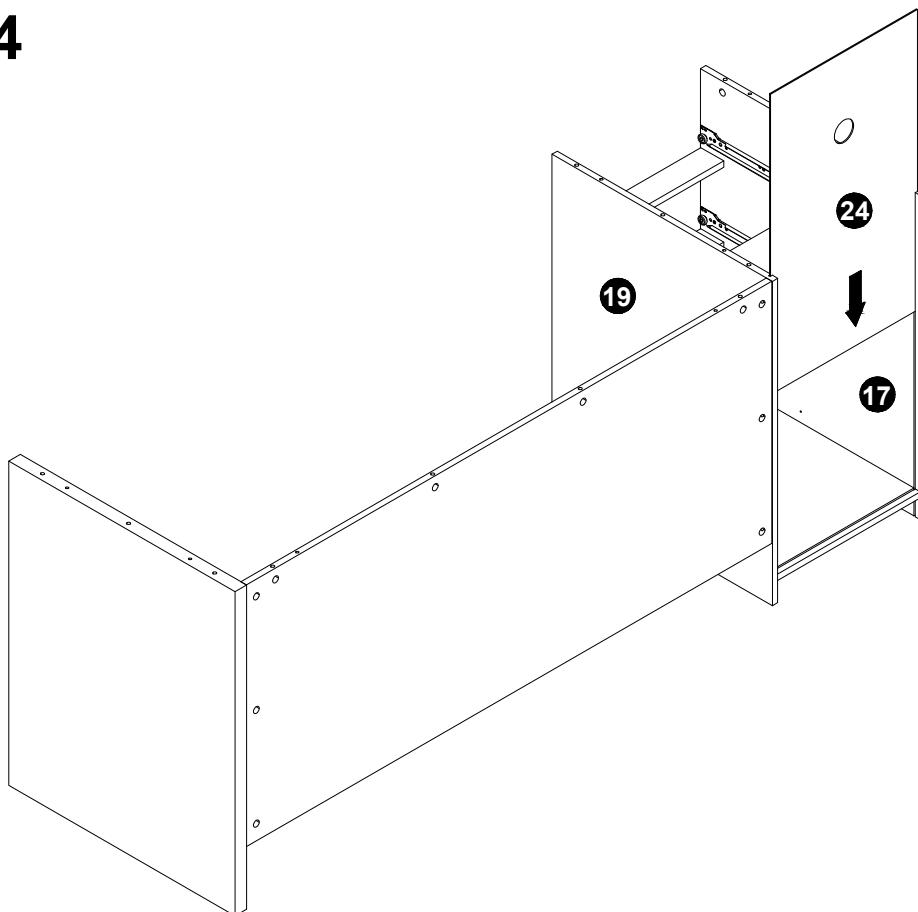
P X3



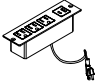

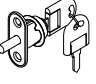
STEP 23

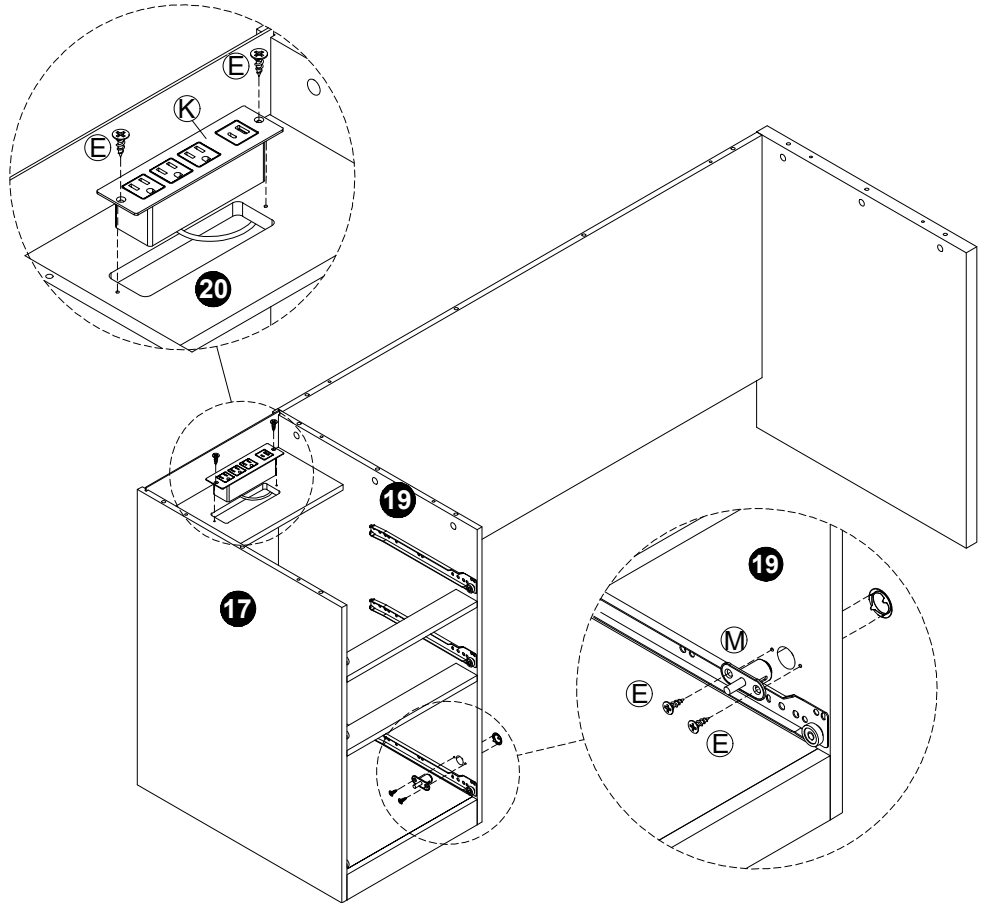
**B** X3**C** X2**P** X3**CAUTION:** You may need assistance with this step.

STEP 24



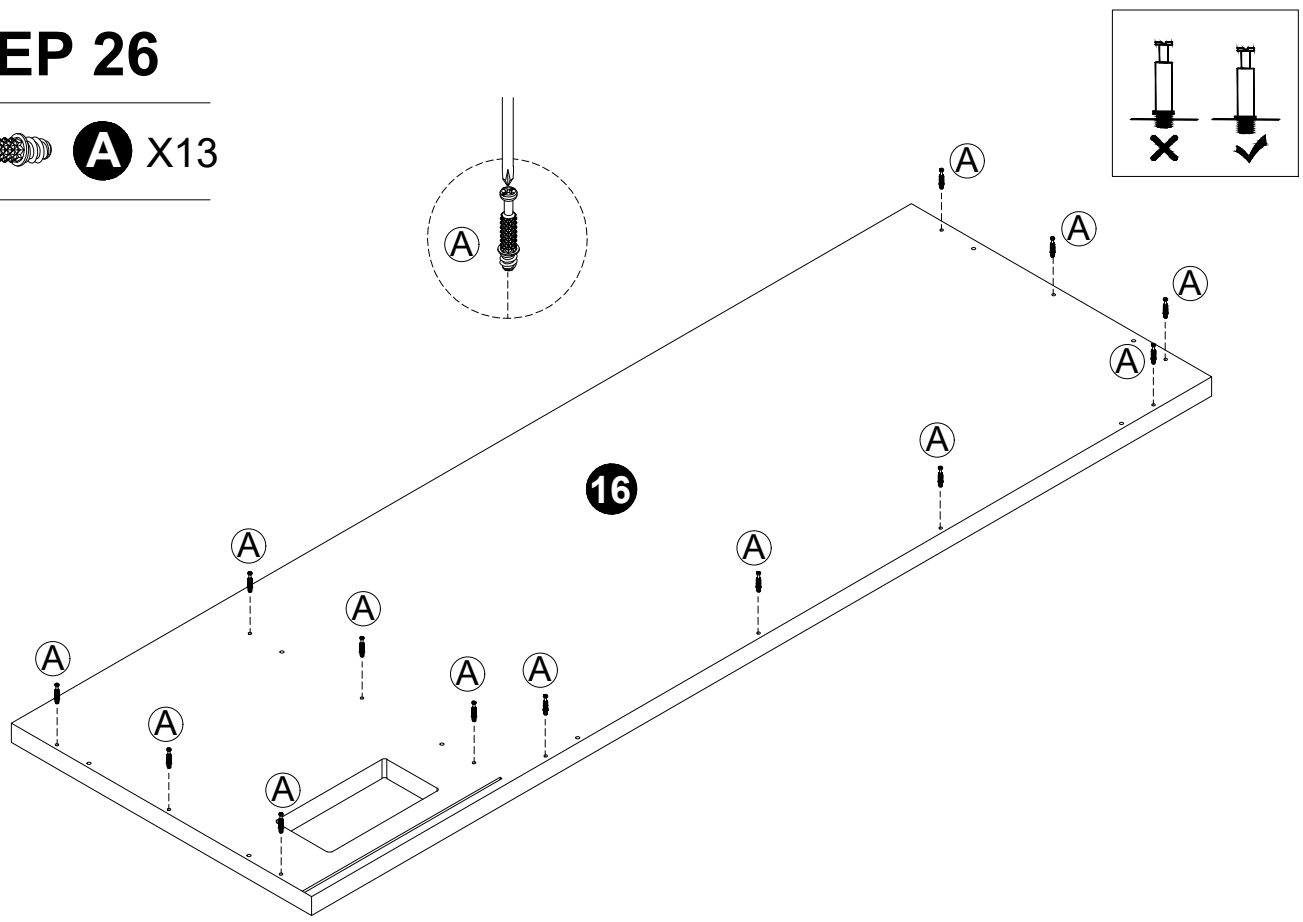
STEP 25

-  **K** X1
-  **E** X4
-  **M** X1

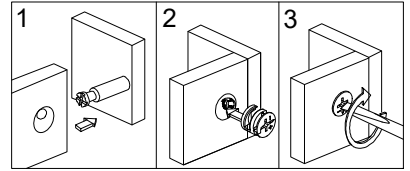


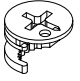
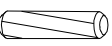
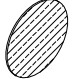

STEP 26

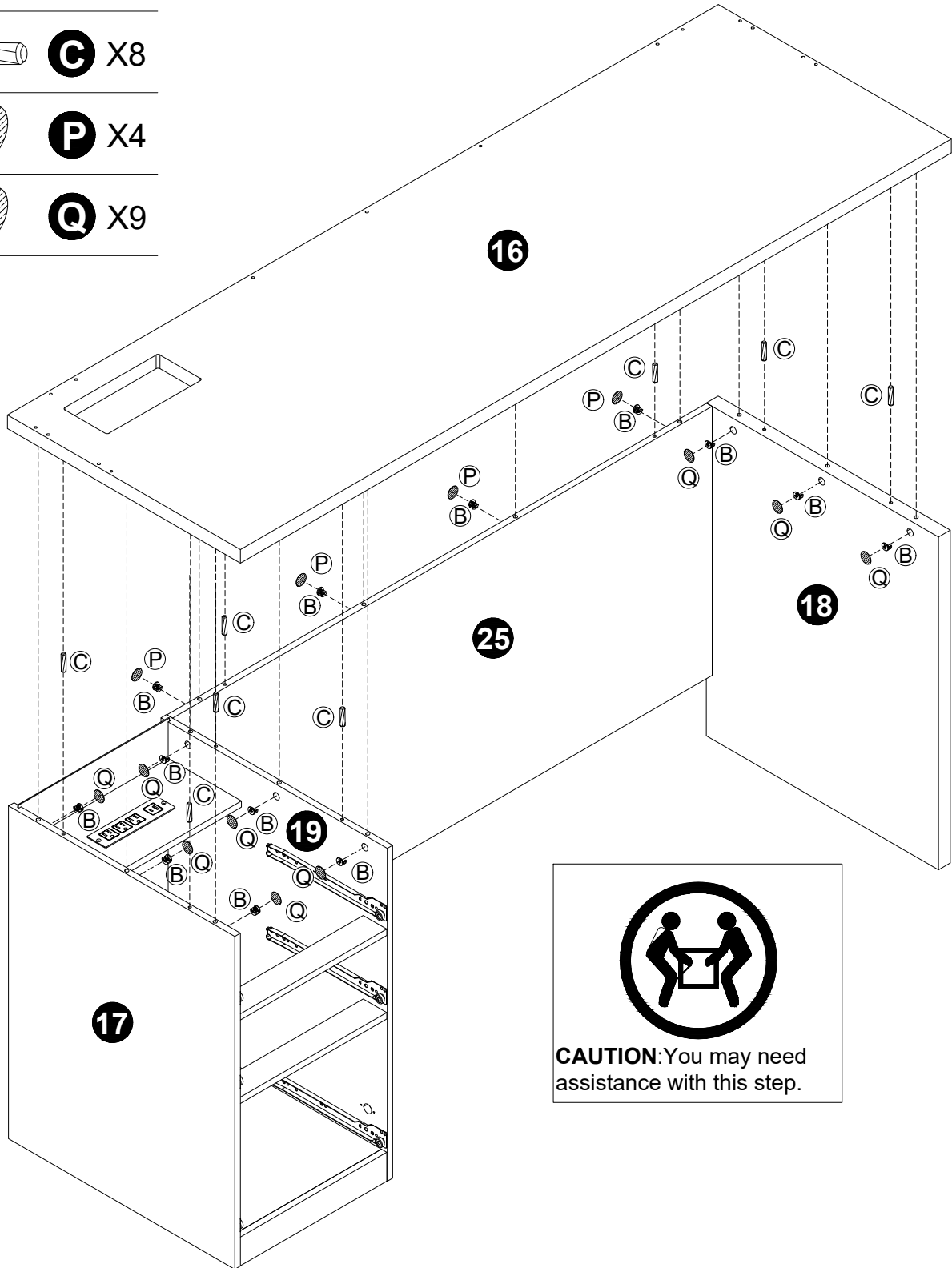
-  **A** X13

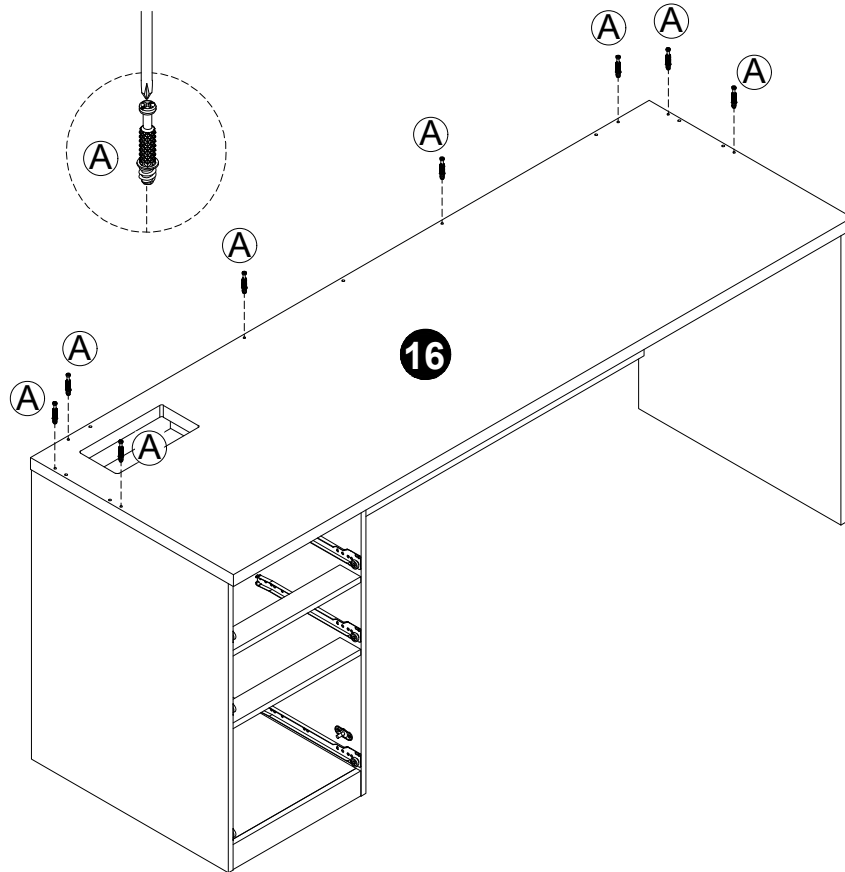
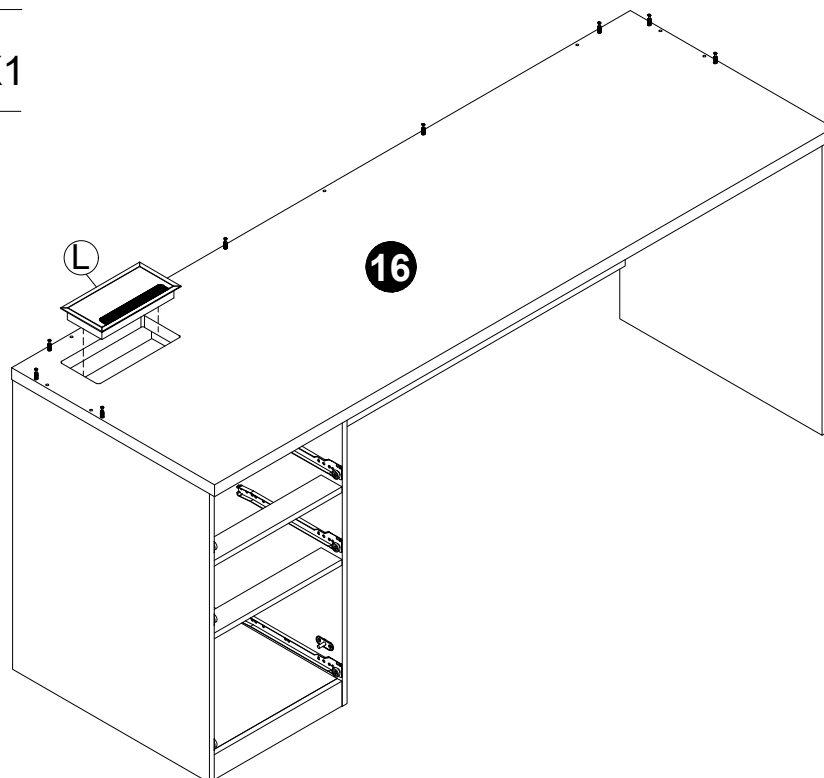


STEP 27



-  **B** X13
-  **C** X8
-  **P** X4
-  **Q** X9



STEP 28 **A** X8**STEP 29** **L** X1

STEP 30



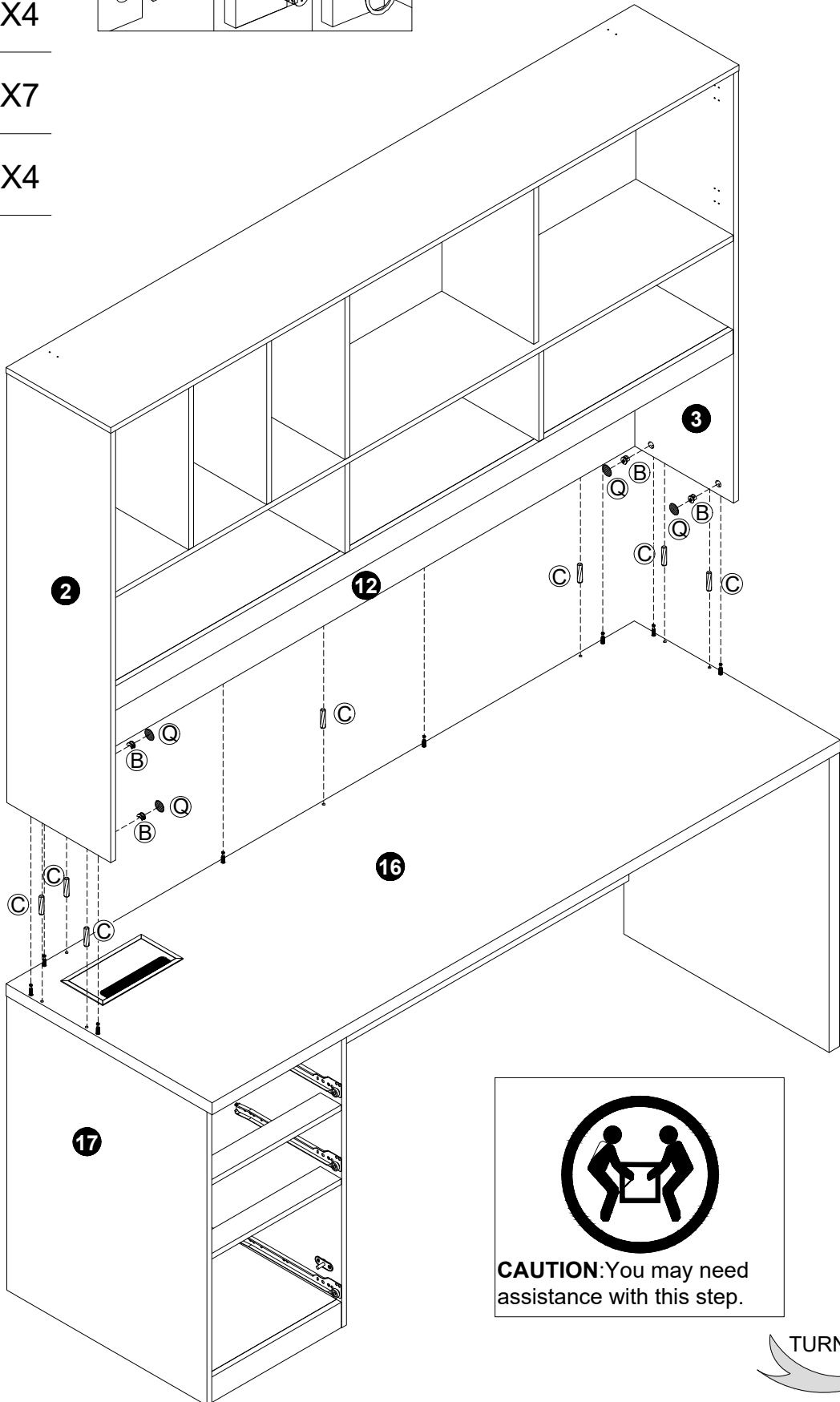
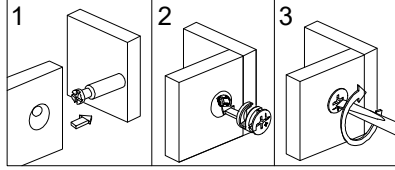
B X4



C X7

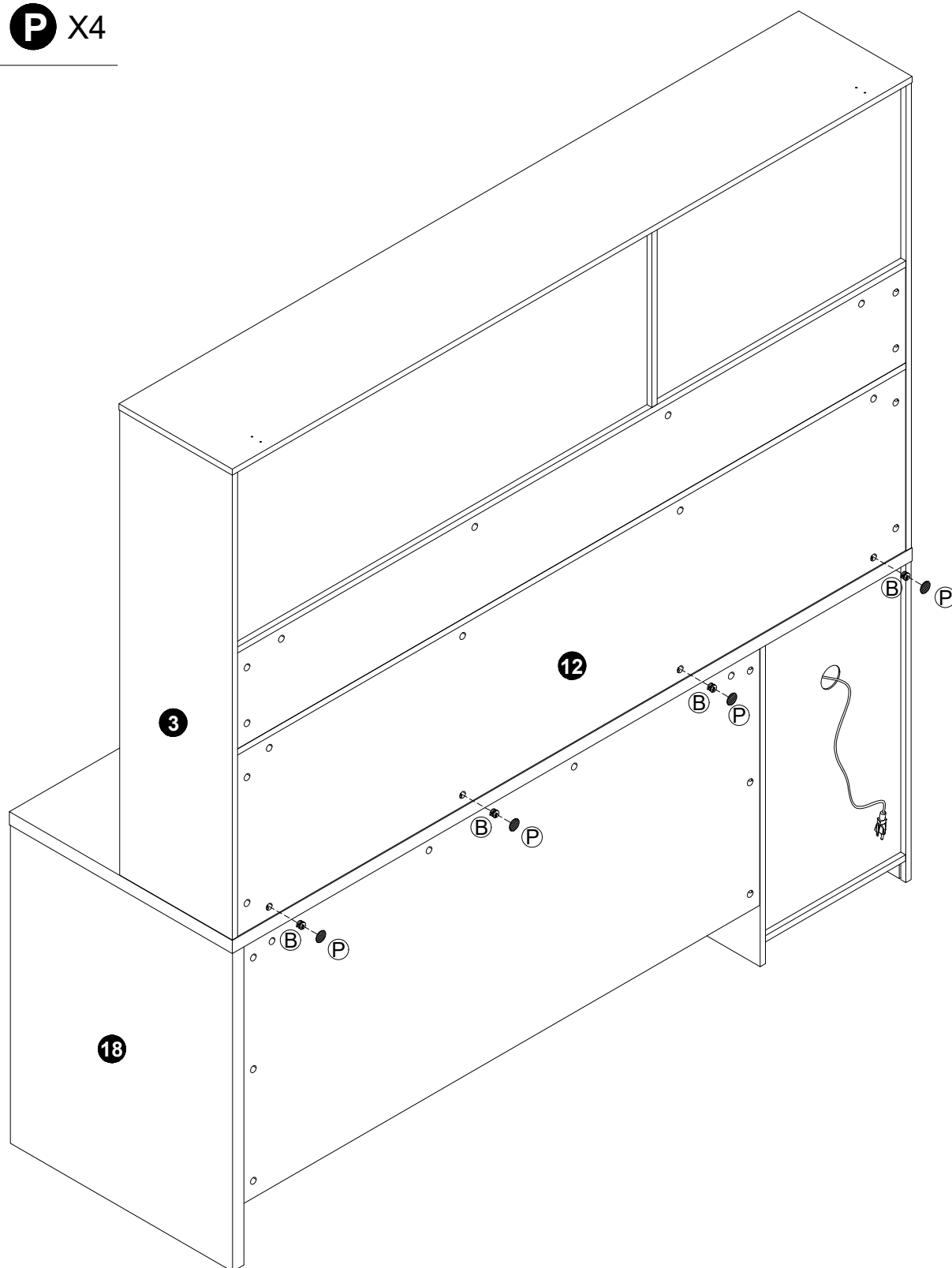
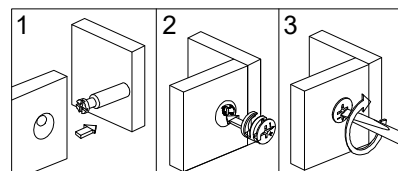


Q X4



CAUTION: You may need assistance with this step.



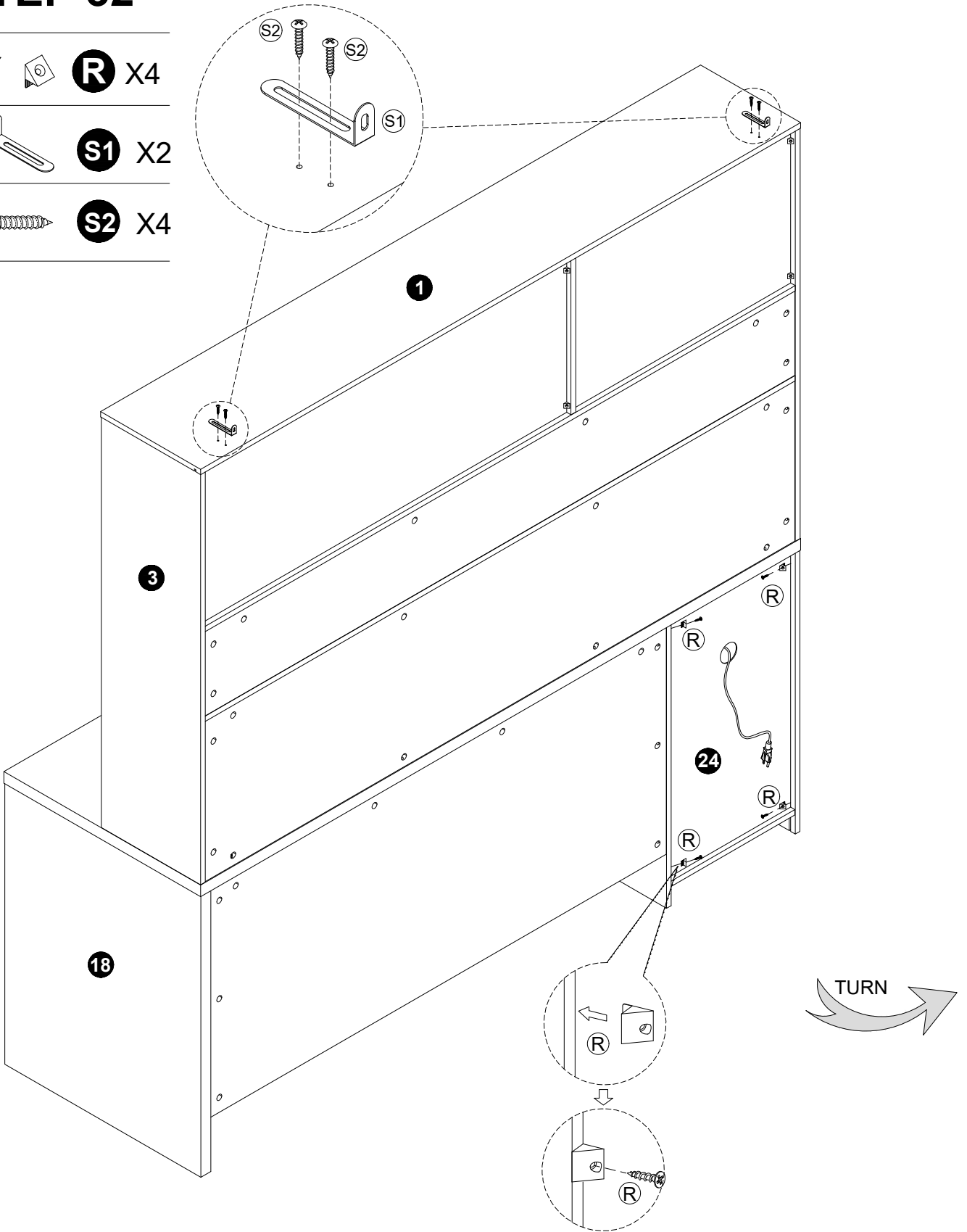
STEP 31**B** X4**P** X4

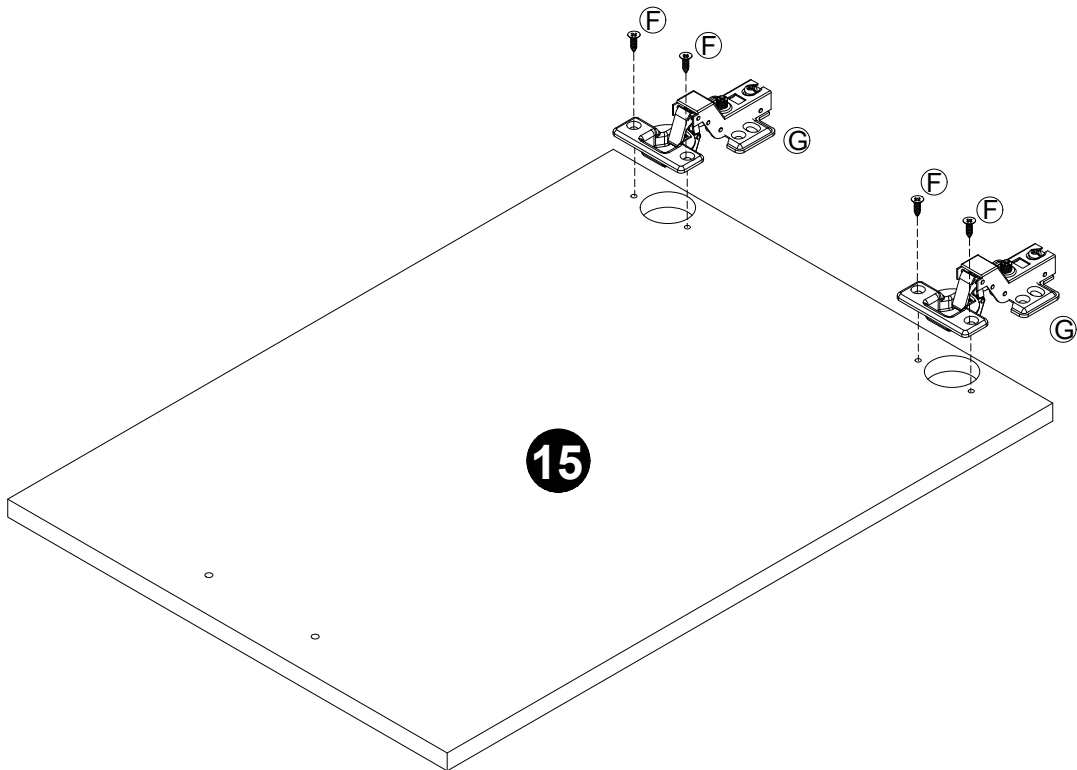
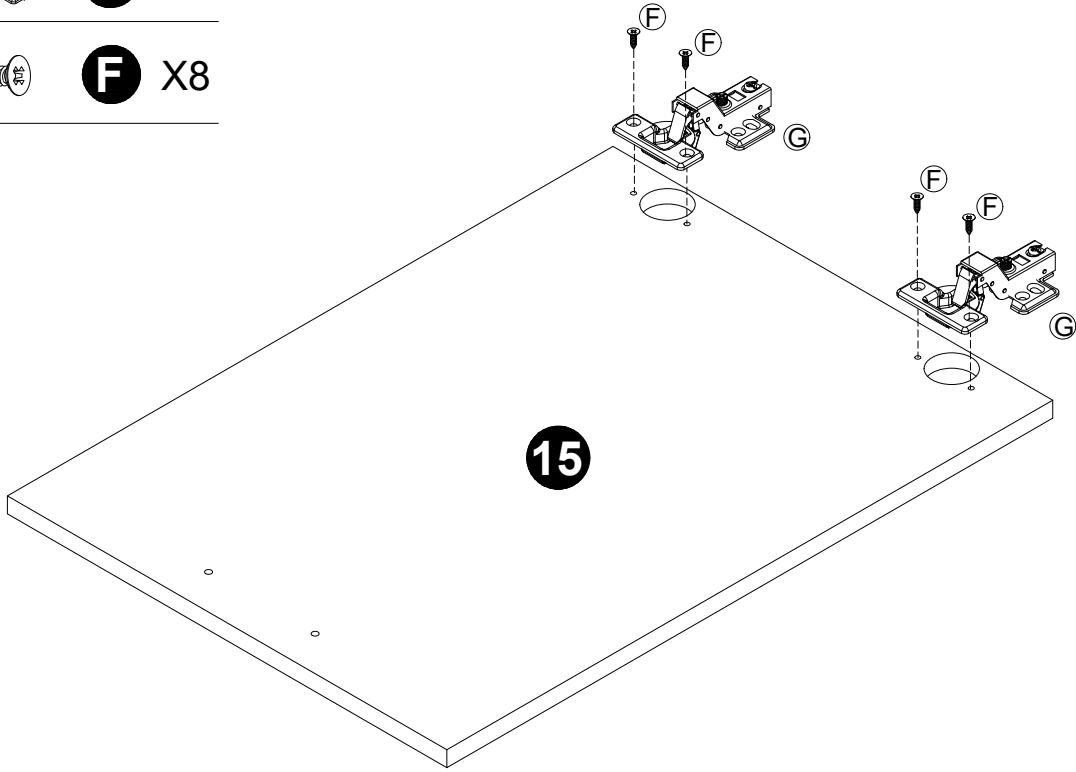
STEP 32

  **R** X4


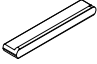
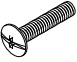
 **S1** X2

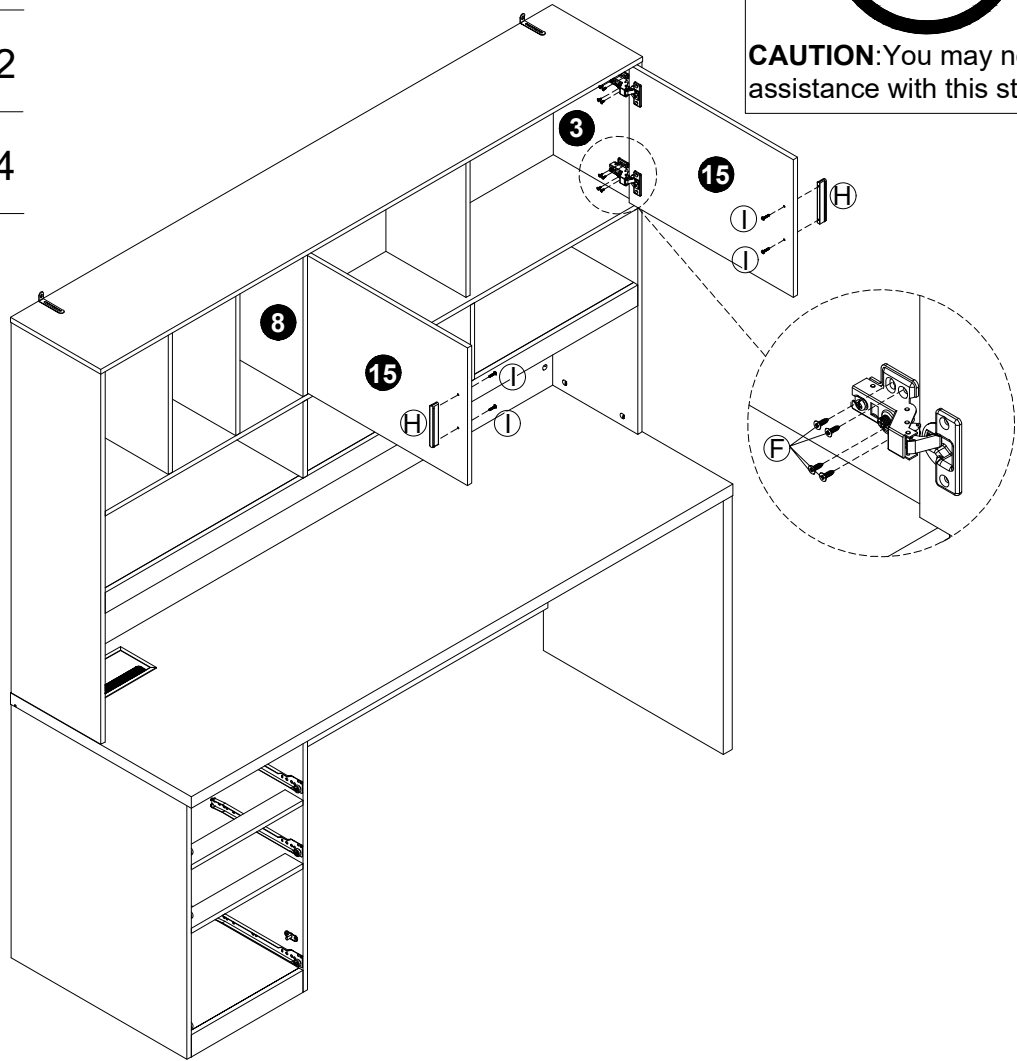
 **S2** X4



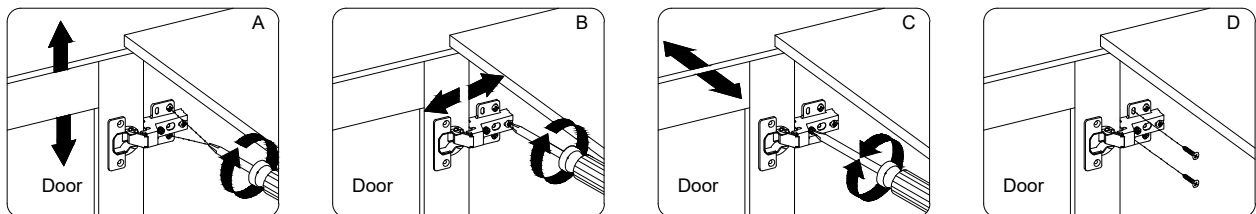
STEP 33**G** X4**F** X8

STEP 34

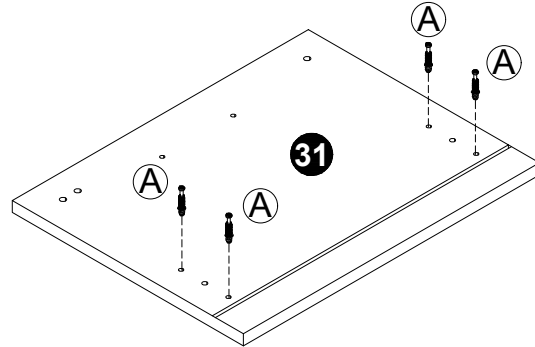
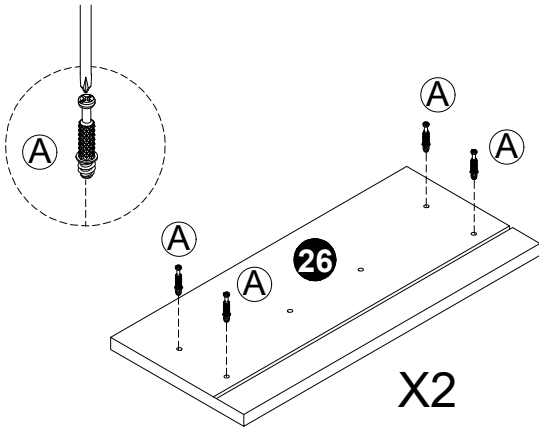
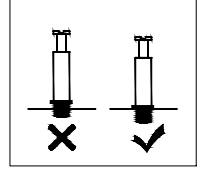
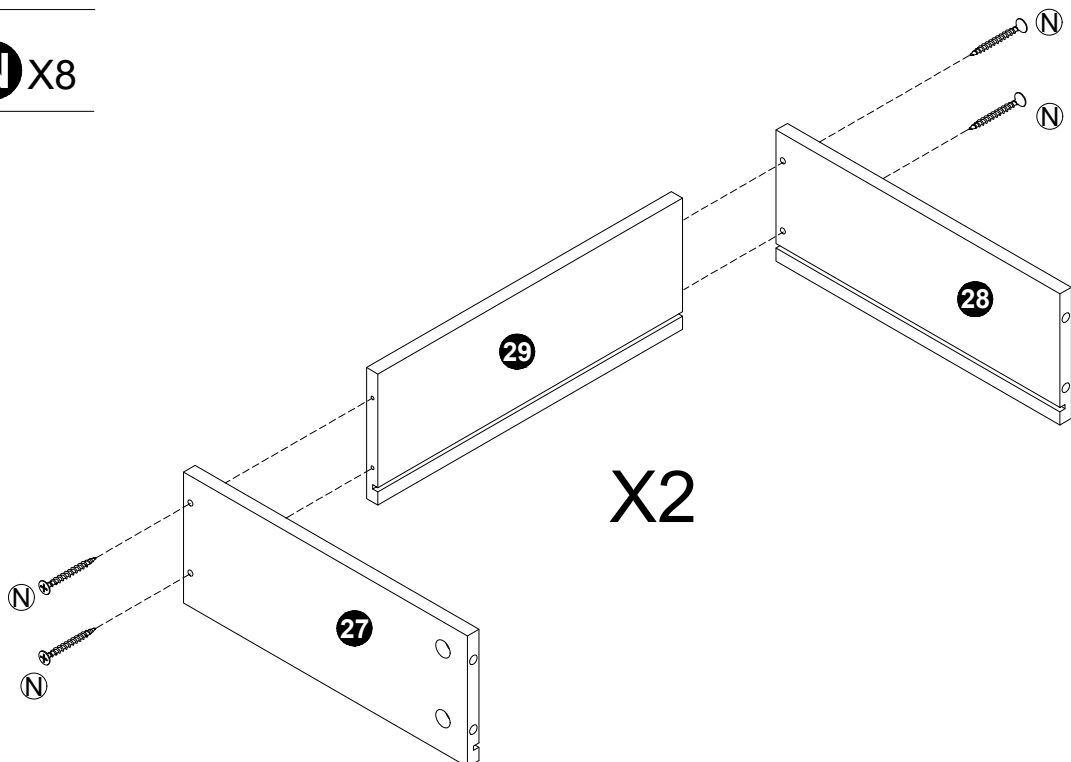
-  **F** X16
-  **H** X2
-  **I** X4



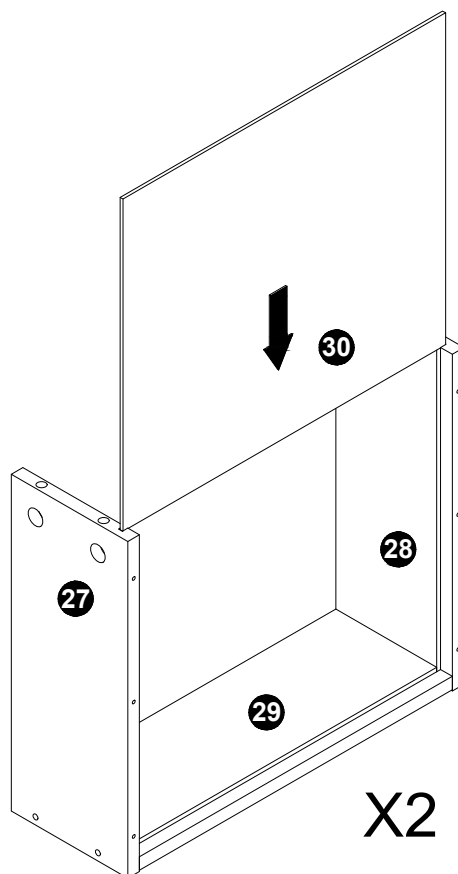
When the hinges are installed, you can refer to the pictures to adjust crevice of the doors till it's perfect



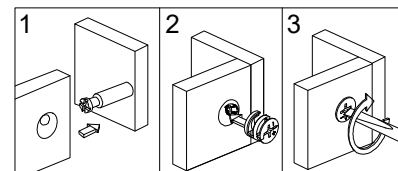
1. To adjust the doors up and down, please refer to step (A)
2. To adjust the distance between the doors and side panels, please refer to (B)
3. To adjust the gap between two doors, please refer to step (C)
4. After the adjustment is finished, please tighten the screws, refer to step (D)

STEP 35 **A** X12**STEP 36** **N** X8

STEP 37



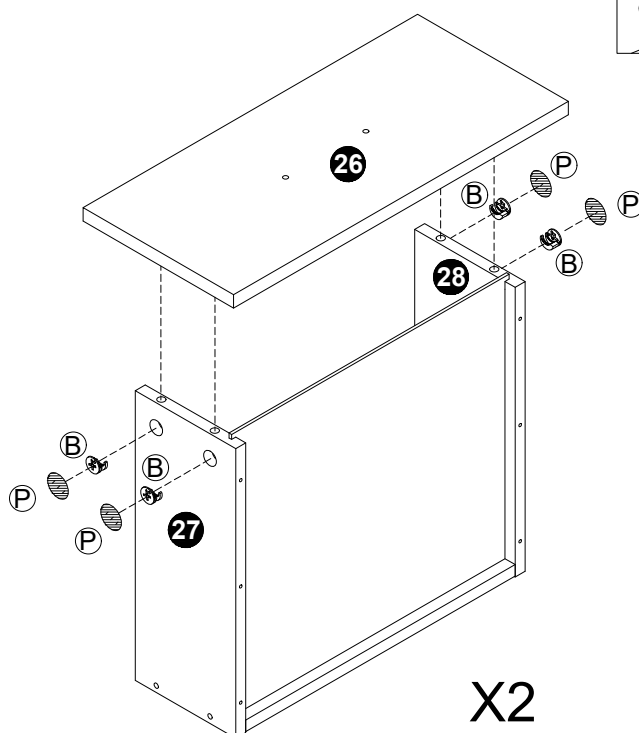
STEP 38



B X8



P X8

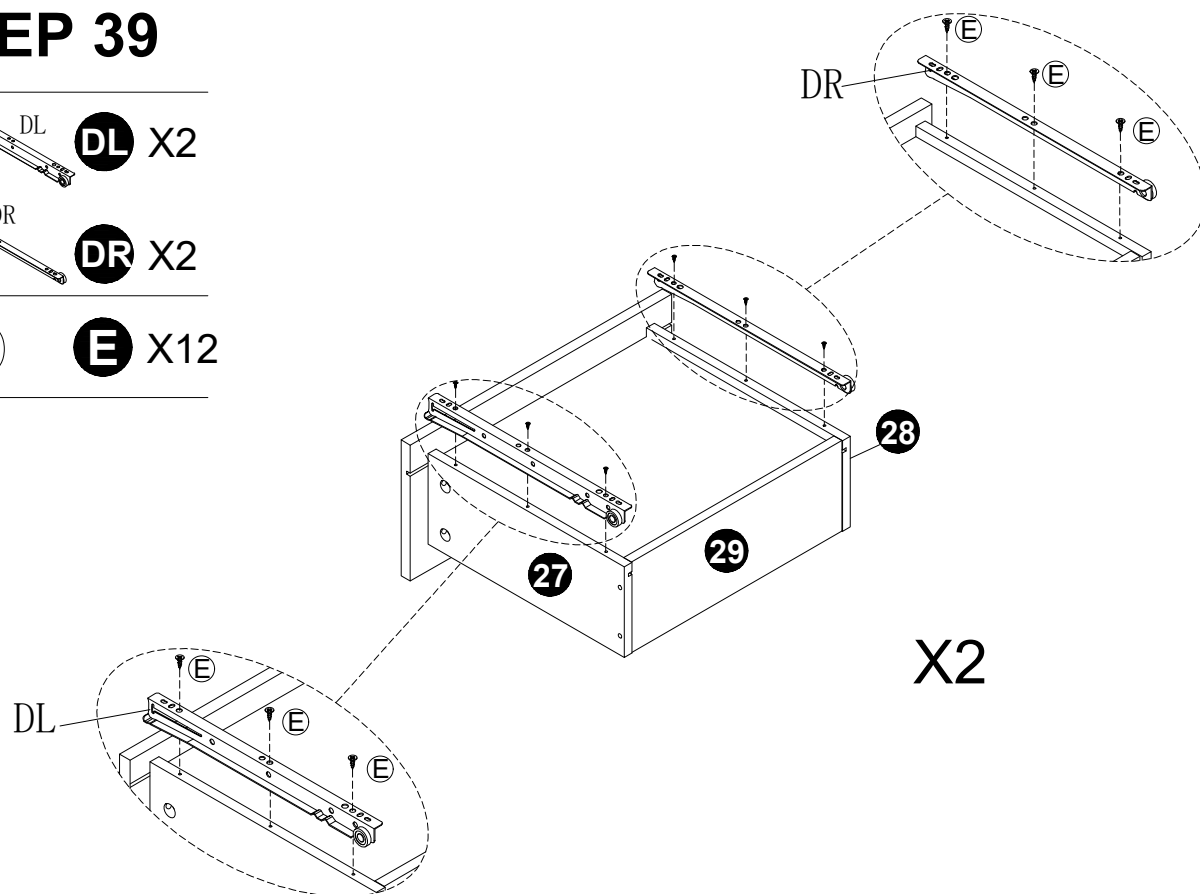


STEP 39

DL **DL** X2

DR **DR** X2

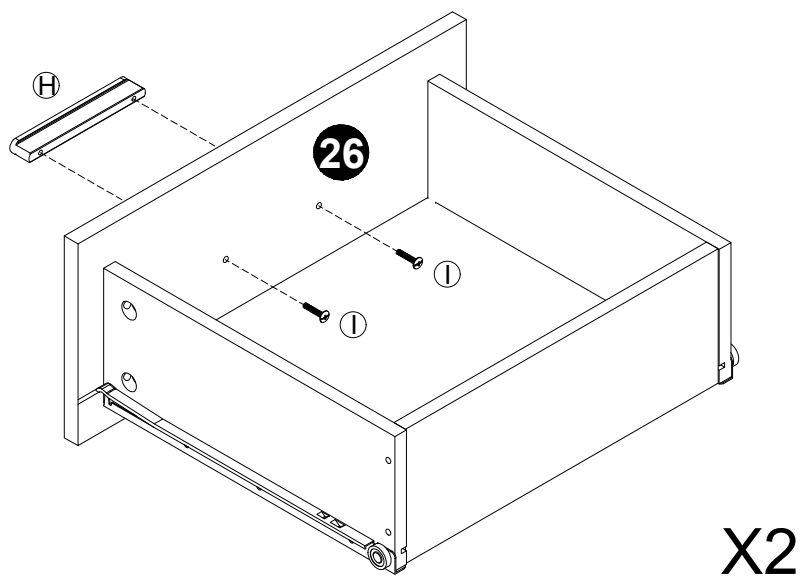
 **E** X12



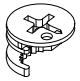
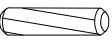

STEP 40

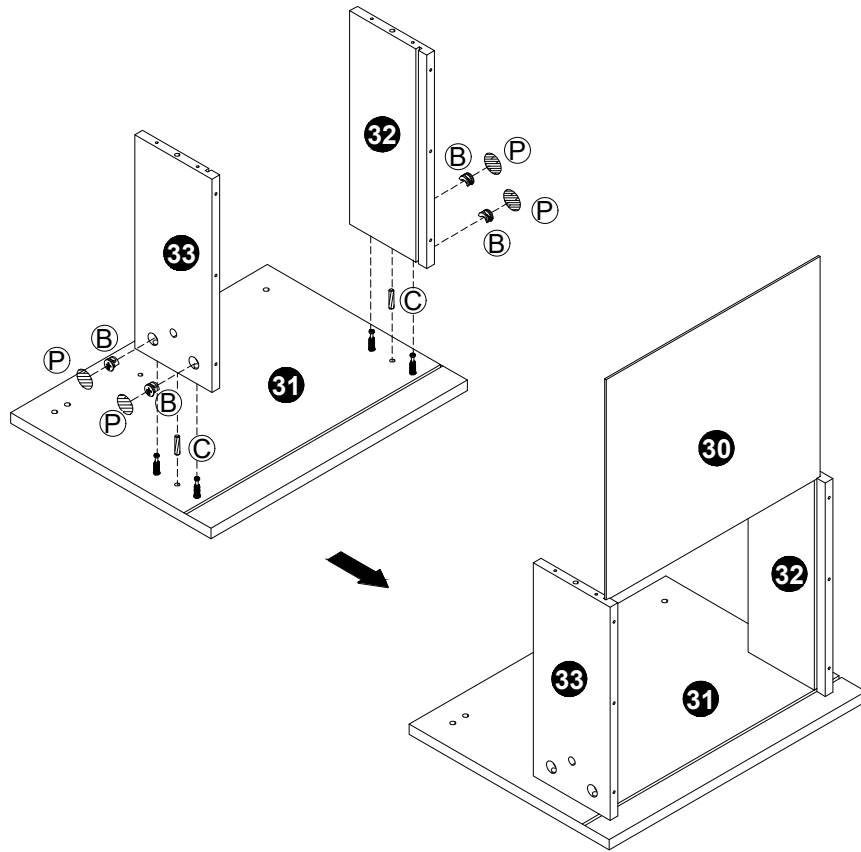
 **H** X2

 **I** X4



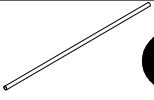


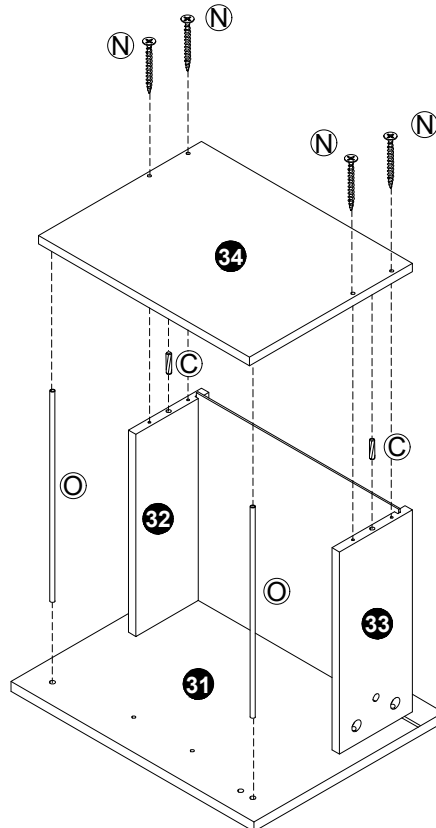
STEP 41

-  **B** X4
-  **C** X2
-  **P** X4



STEP 42

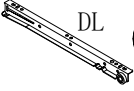


-  **C** X2
-  **N** X4
-  **O** X2

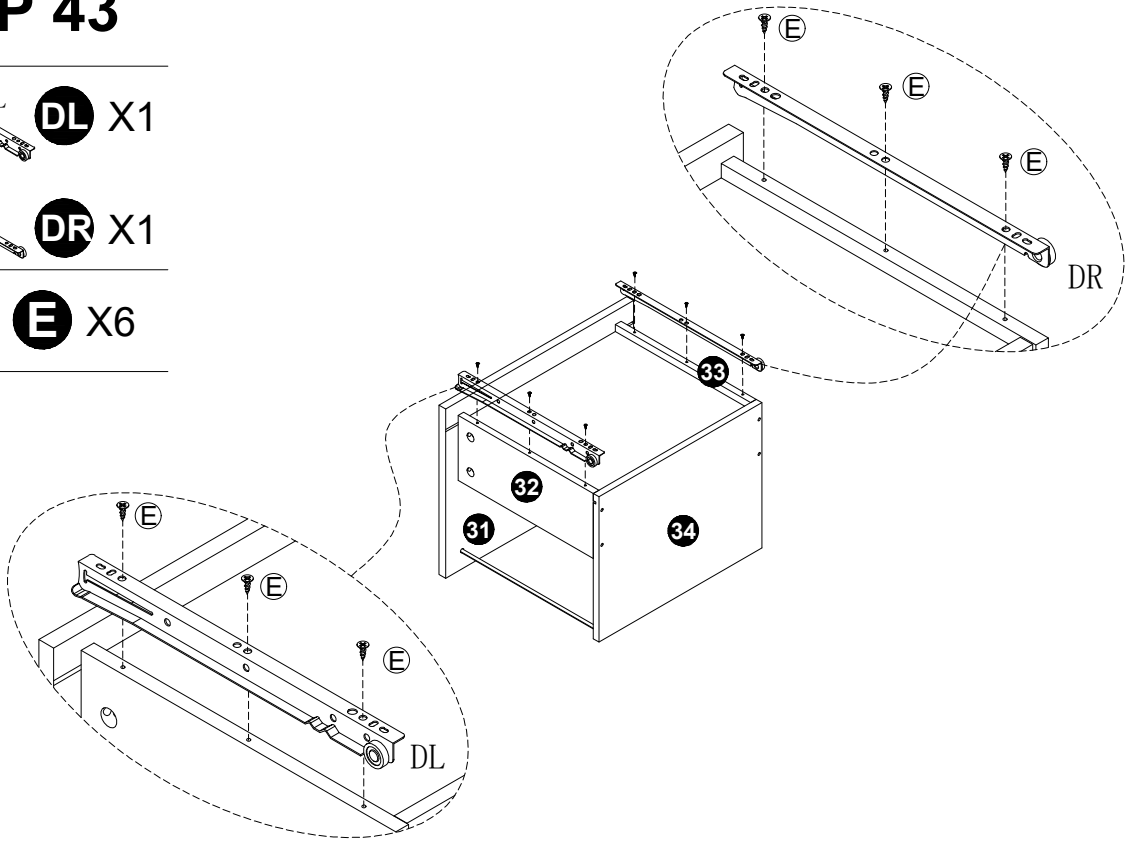





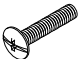
CAUTION: You may need assistance with this step.

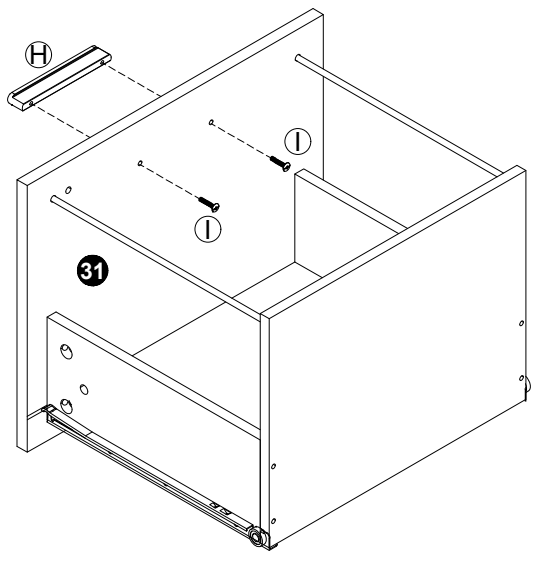
STEP 43

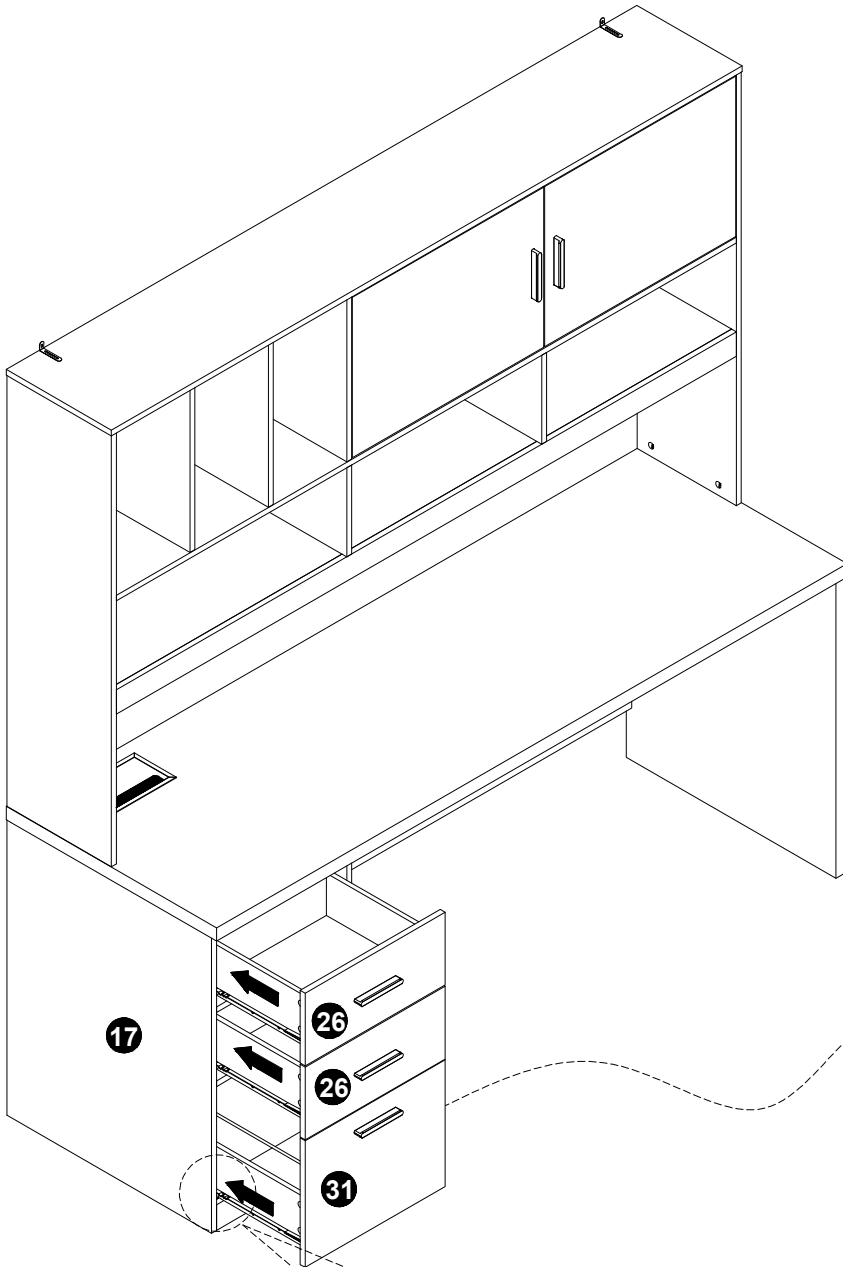
-  DL **DL** X1
-  DR **DR** X1
-  **E** X6



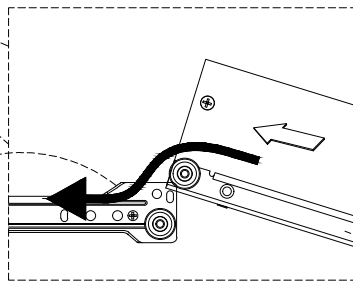
STEP 44

-  **H** X1
-  **I** X2



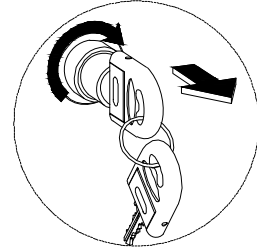
STEP 45

Cabinet Slide arms



Drawer Slide brackets

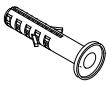
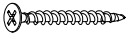
LOCKED
VERROUILLÉ
BLOQUEADO

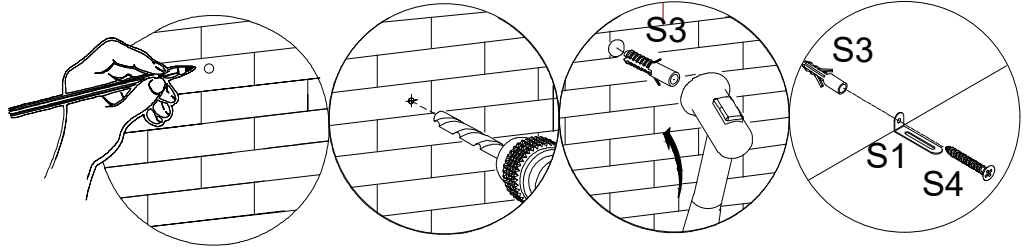


LOCKED
VERROUILLÉ
BLOQUEADO



STEP 46

-  **S3** X2
-  **S4** X2



Step 1: Determine the location of the anti-overturning on the wall and then mark the position after confirming the product has been balanced.
 Step 2: Drill the hole and then fixed the tacke (S3) on the wall.
 Step 3: Use screw (S4) to fix the pat L (S1) on the wall.

