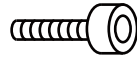


A x 1



B x 4



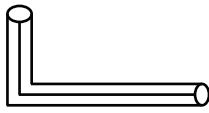
C x 12



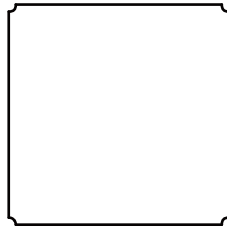
D1 x 4



D2 x 4



E x 1



F x 1



G x 4

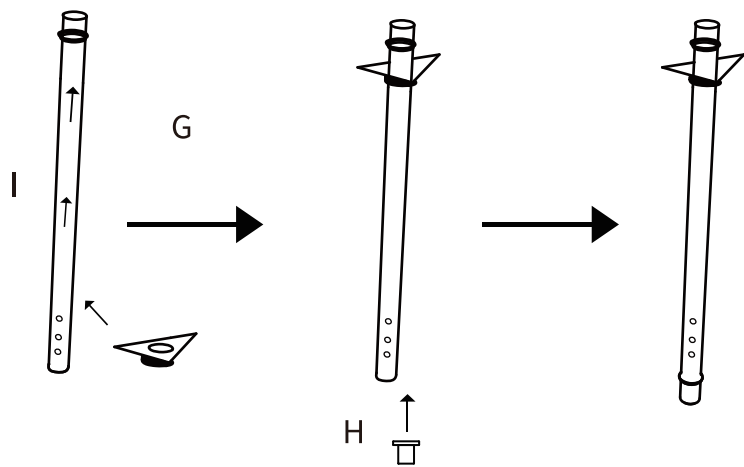


H x 4

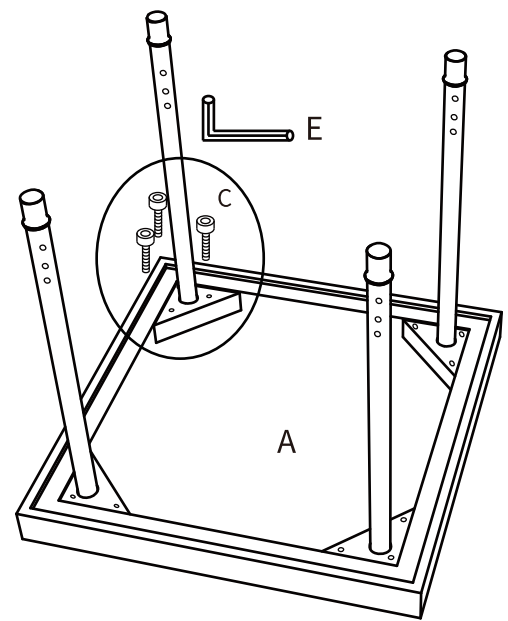


I x 4

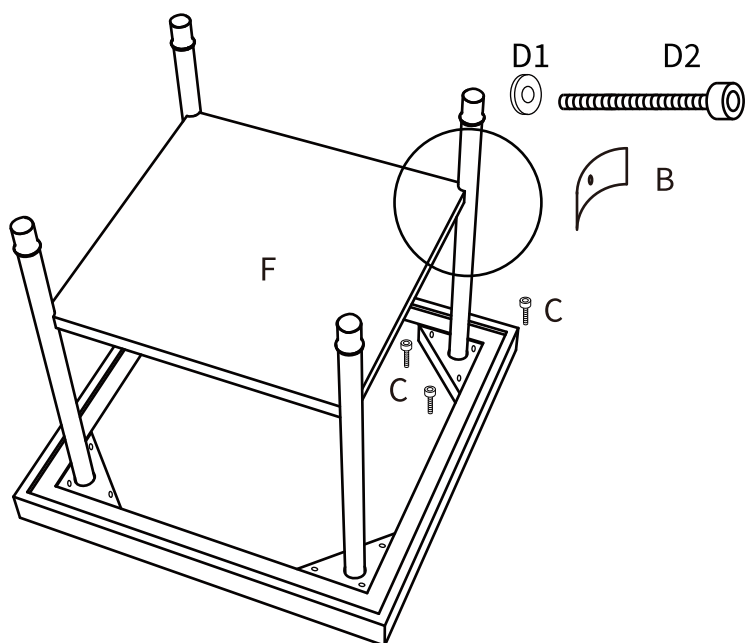
1



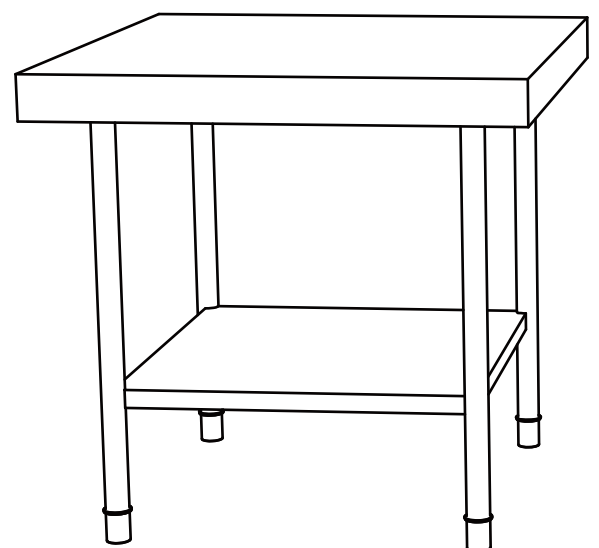
2



3



4



Tips: 1. Please remove the protective film on the surface of stainless steel after assembly.
2. It is easier to remove the protective film after hot compress with a hot air blower and a damp towel.