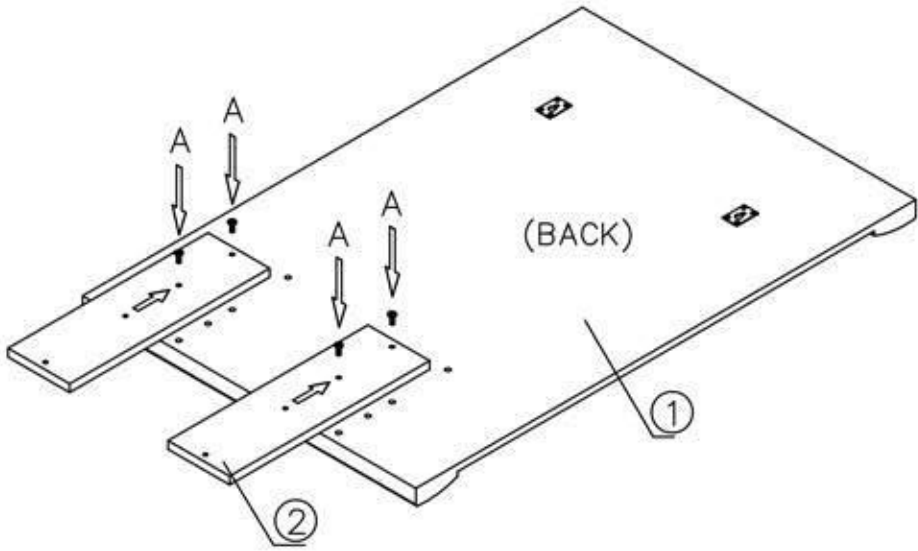


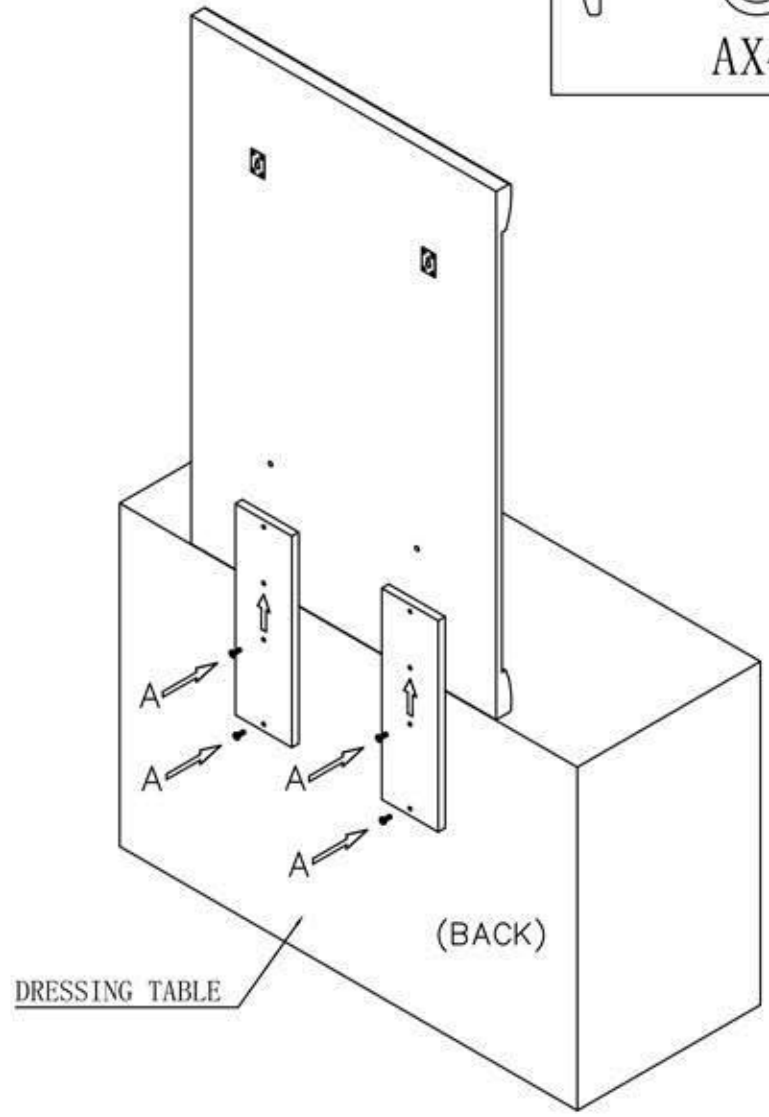
STEP1



(METHOD 1)



STEP2



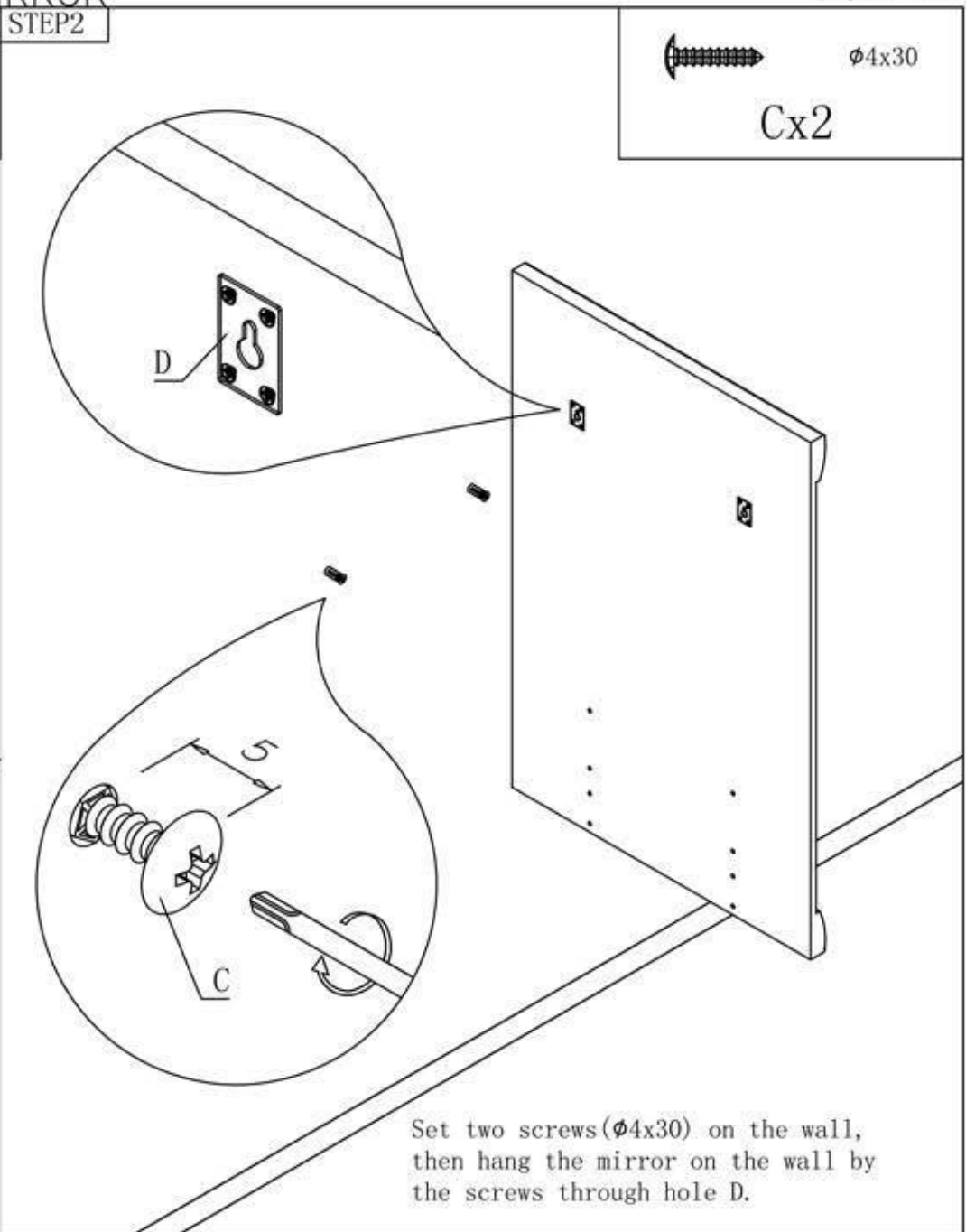
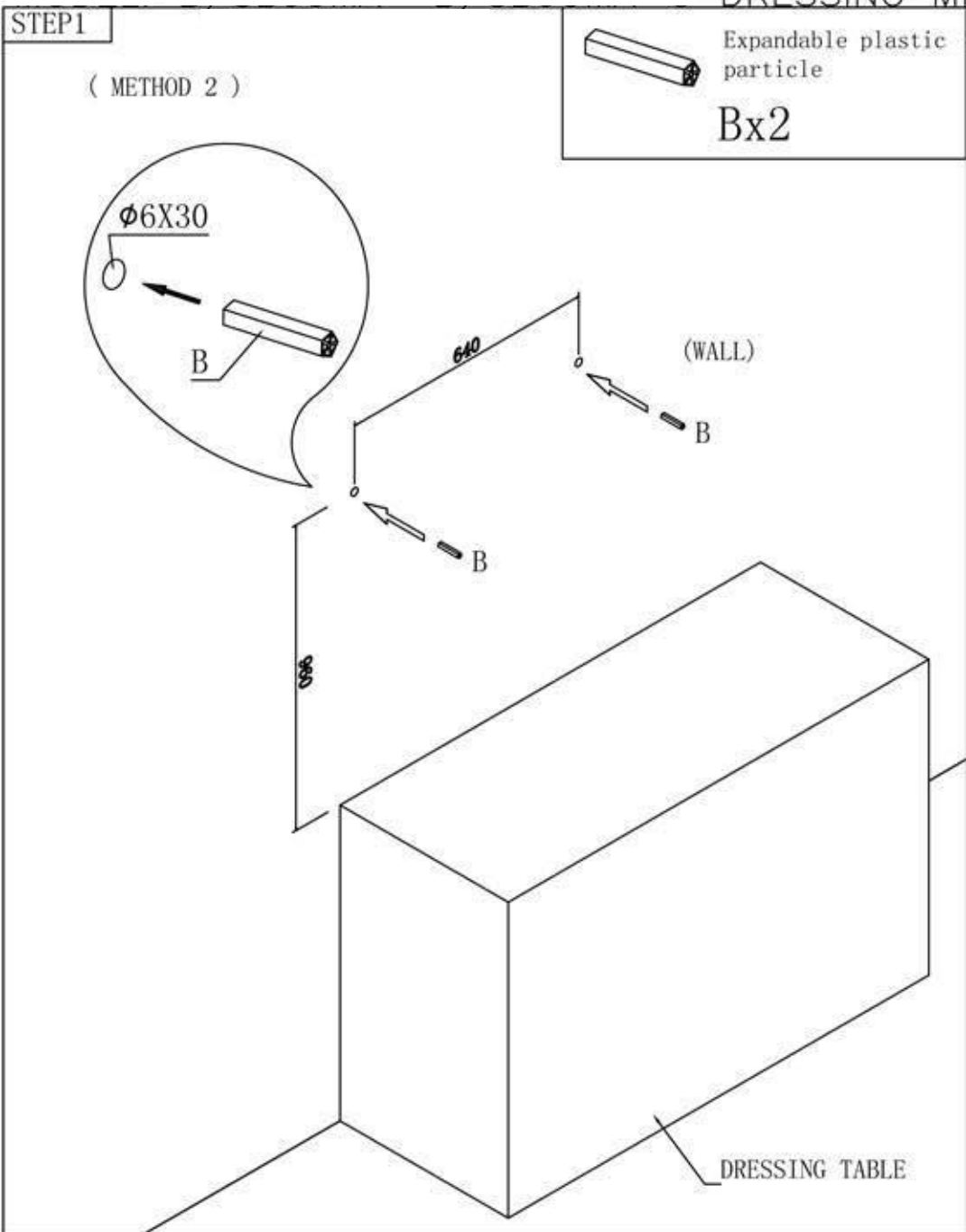
!
• Please use a soft mat to avoid damaging during assembly





No	Part	Qty
1	Mirror Panel	1
2	Supporting Board	2

No	Part	Qty
A	Screw M6X30	8

10min

DRESSING MIRROR



No	Part	Qty	No	Part	Qty	No	Part	Qty
1	Mirror Panel	1	B	 Expandable plastic particle	2	C	 Screw φ4x30	2
						  10min 