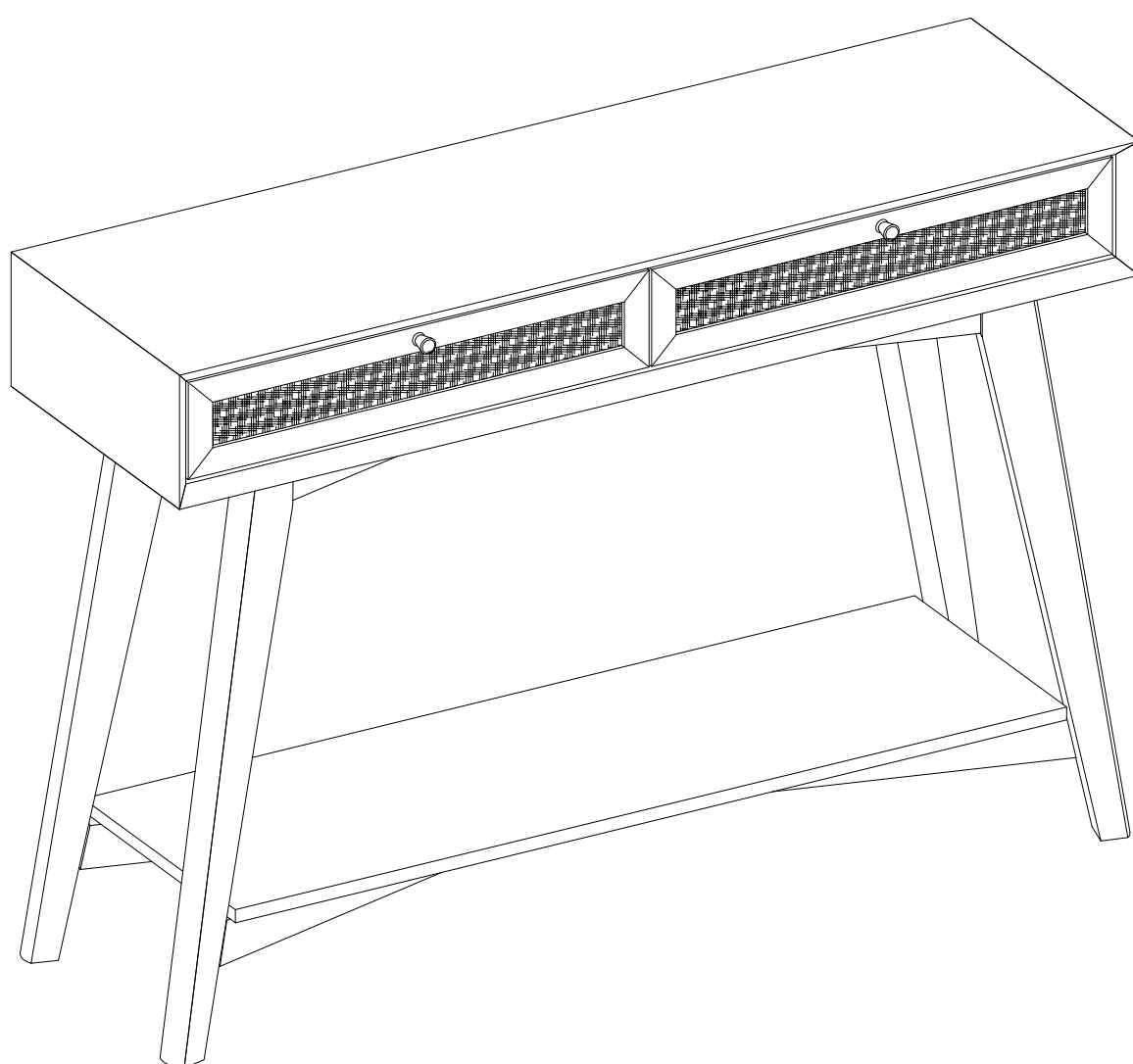


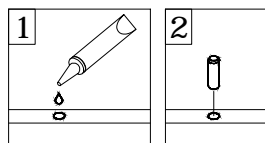
AI-BEC46ET

Assembly Instructions

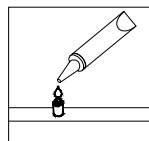


General Assembly Guidelines

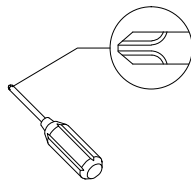
- I. Ensure that all parts and hardware are available before beginning assembly.
- II. Follow each step carefully to ensure the proper assembly of this product.
- III. Two people are recommended for ease in the assembly of this product.
- IV. The three main types of hardware used to assemble this product are : wood dowels , screws and bolts.
- V. The provided glue is to secure wood dowels in place . When first inserting dowels , locate the appropriate hole for the dowel , place a small amount of glue in the hole and insert the dowel . Wipe away excess glue immediately.



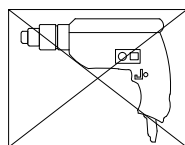
In future assembly steps when dowels are necessary to attach assembly parts together , place a small amount of glue on the end of the dowel before attaching parts together . Wipe away excess glue immediately.



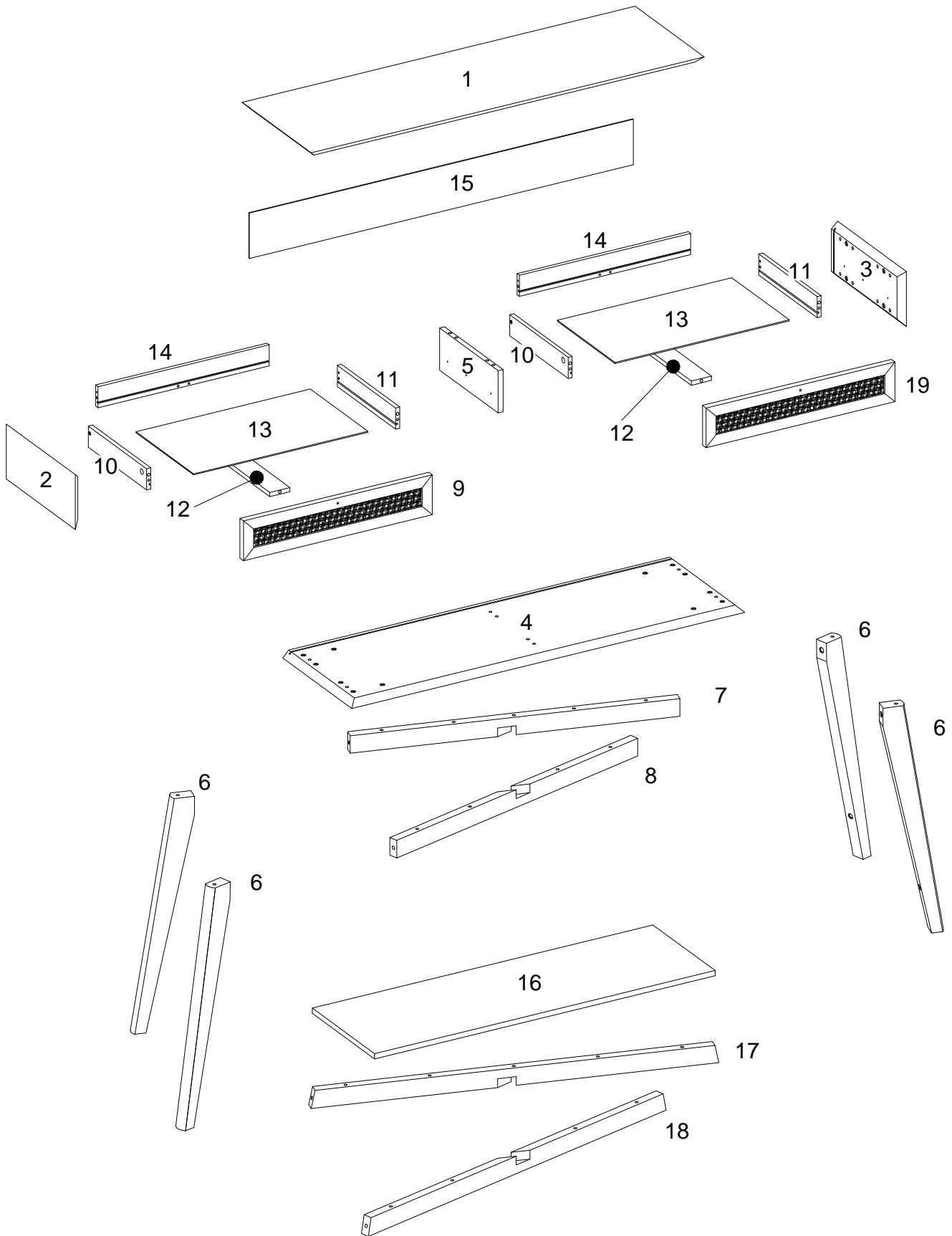
- VI. A Phillips head screwdriver is required for the assembly of this product .




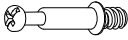


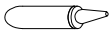
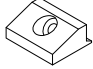
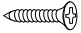



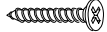
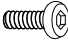



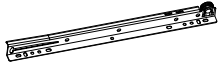
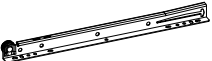
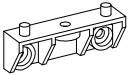


- VII. Power tools should not be used to assemble this product .



Parts List

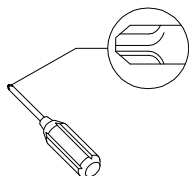


Hardware List

A		Ø6x30mm	Wooden dowel	8 pcs
B		Ø6x35mm	Cam bolt	8 pcs
C		Ø15x11mm	Cam lock	2 pcs
D		Ø30mm	Sticker	12 pcs
E			Glue tube	1 pc
F			Plastic wedge	6 pcs
G		Ø3x17mm	Flat-head screw	6 pcs
H		Ø4x25mm	Handle bolt	2 pcs
J			Handle	2 pcs
K		Ø15x9.5mm	Cam lock	6 pcs
L		Ø4x38mm	Screw	8 pcs
M		Ø6x13mm	Bolt	24 pcs
N		Ø3.5x12mm	Screw	24 pcs
P		12"	Left cabinet member	2 pcs
Q		12"	Right cabinet member	2 pcs
R		12"	Left drawer runner	2 pcs
S		12"	Right drawer runner	2 pcs
T			Connector	8 pcs
U		M 4	Hex key	1 pc
V		Ø38mm	Sticker	8 pcs

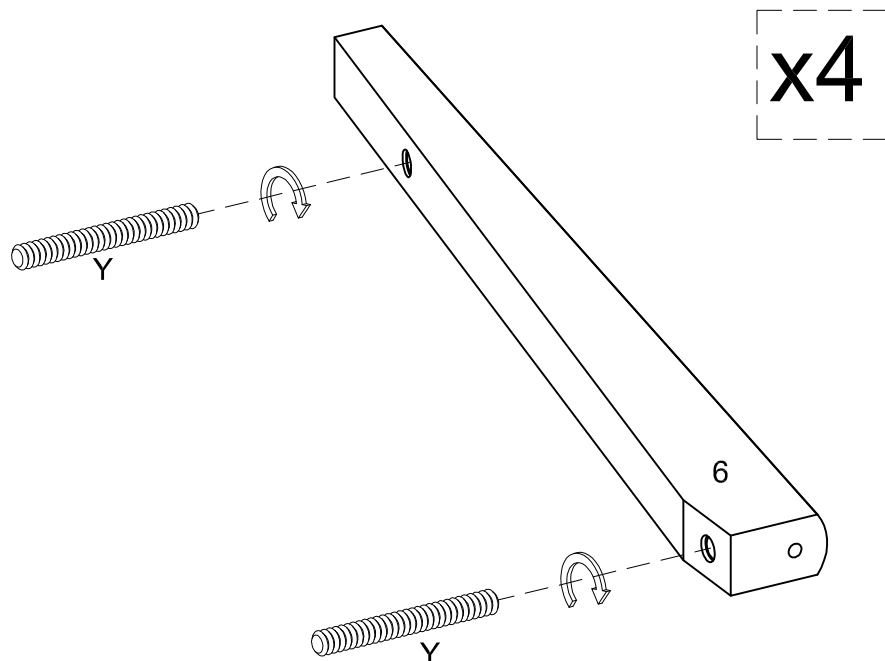
Hardware List

W		Ø6x50mm	Screw	6 pcs
X		Ø6x55mm	Bolt	10 pcs
Y		Ø8x60mm	Bolt	8 pcs
Z			Washer	8 pcs
AA		Ø5/16mm	Nut	8 pcs
BB		Ø5/16mm	Wrench	1 pc
CC		Ø8x30mm	Wooden dowel	12 pcs
DD			Tipping Restraint Hardware	2 set

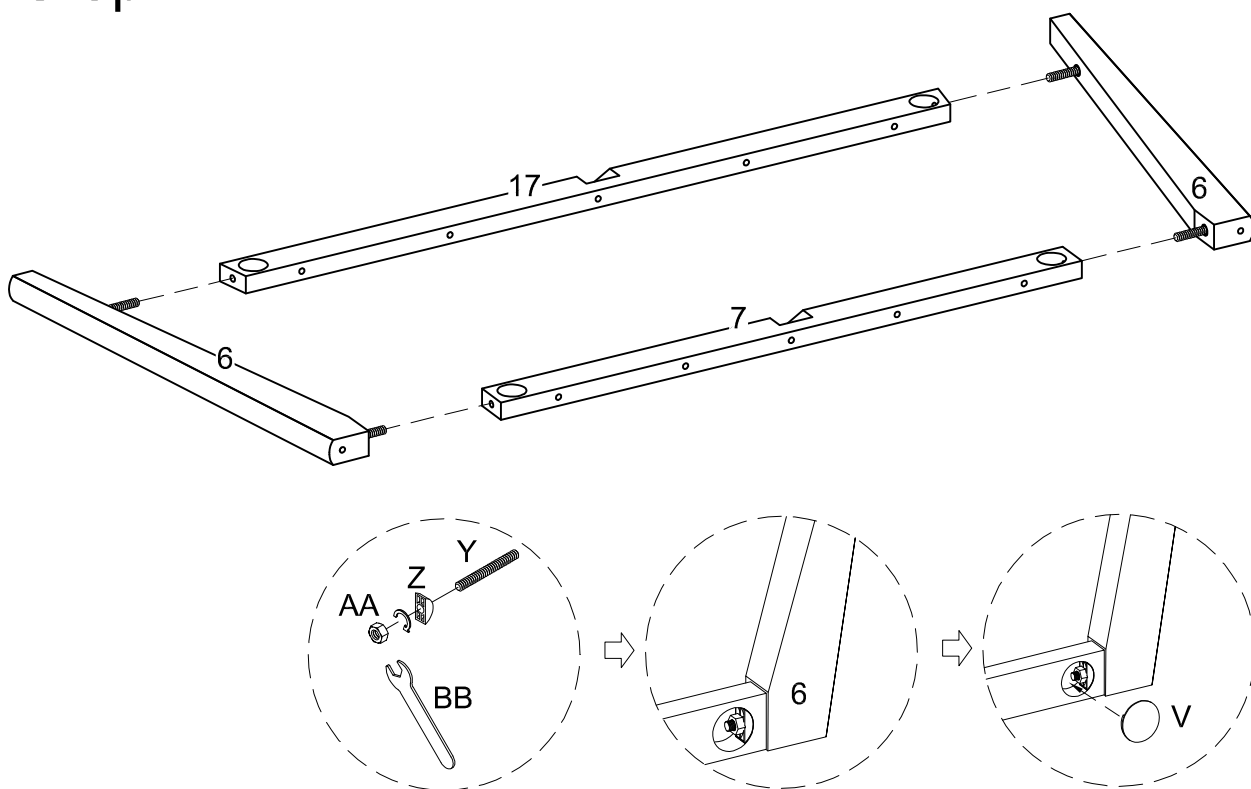


Philips head screwdriver required for assembly
(not included)

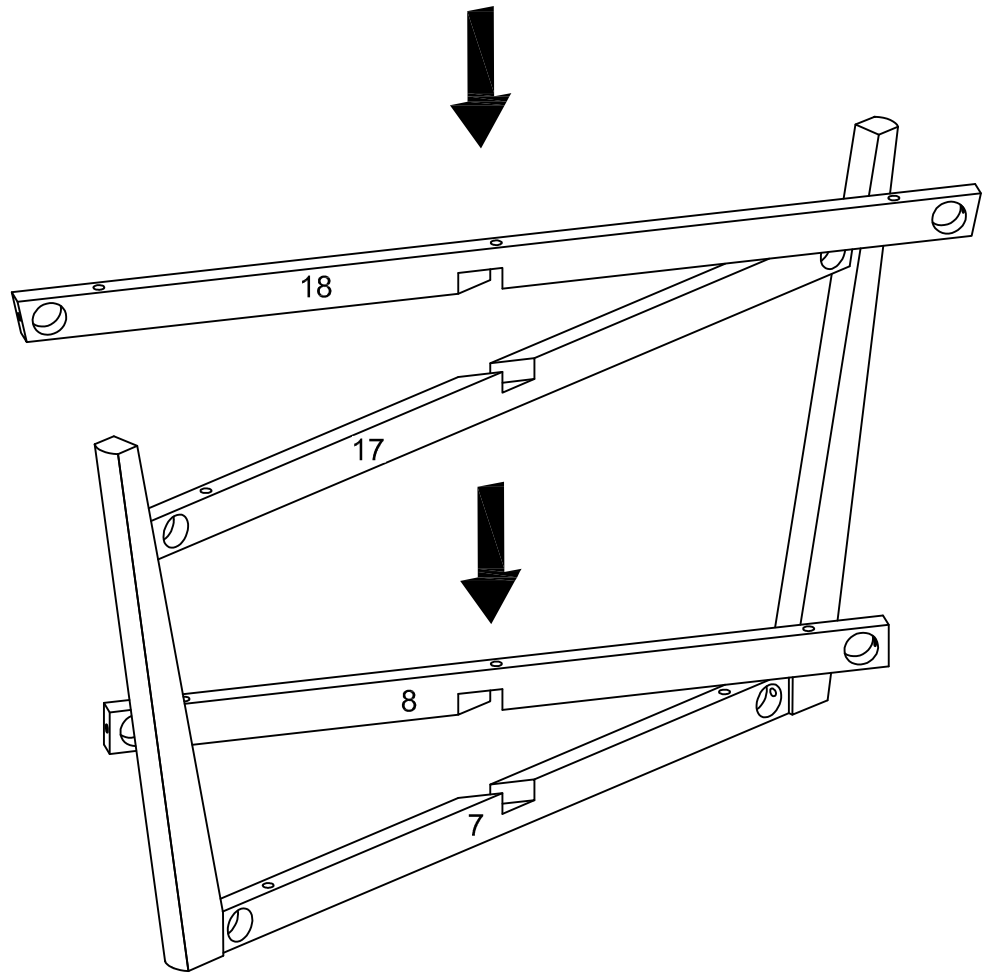
Step 1



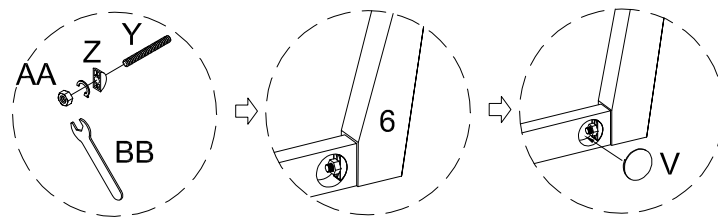
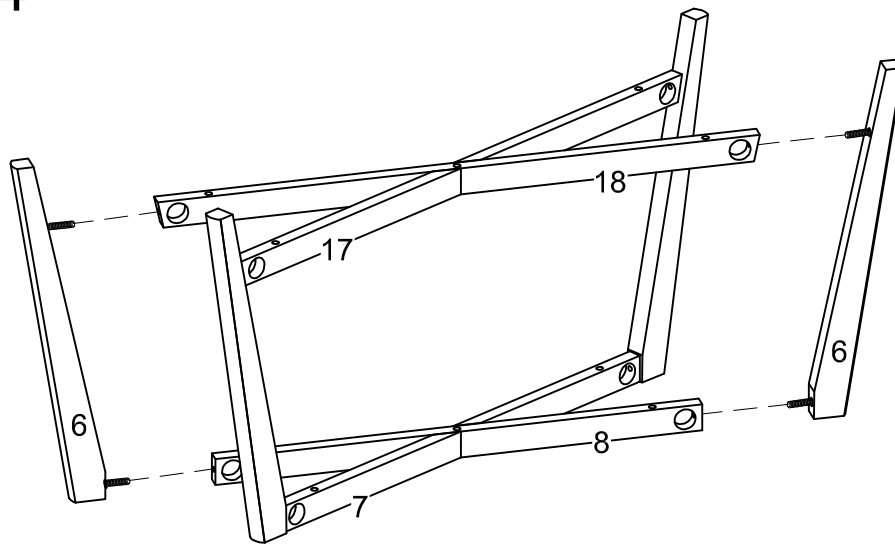
Step 2



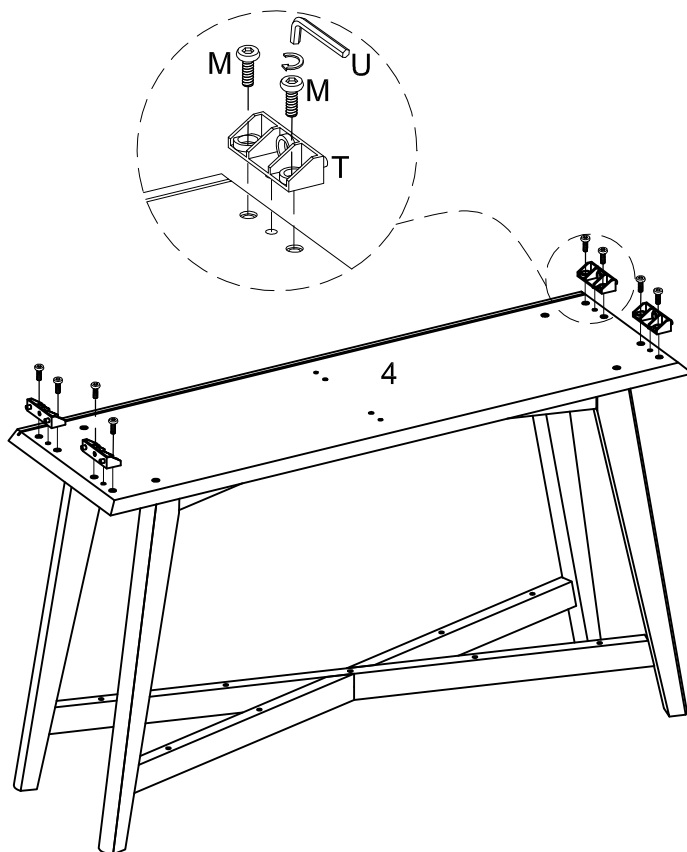
Step 3



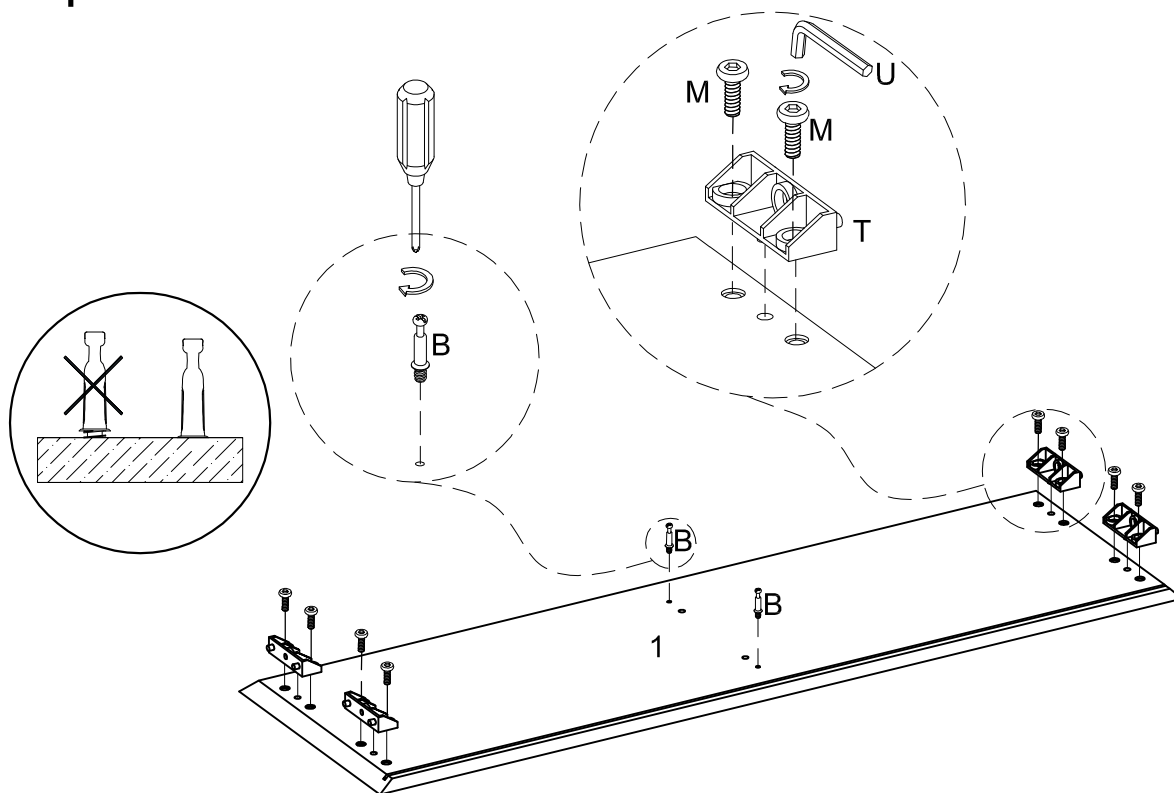
Step 4



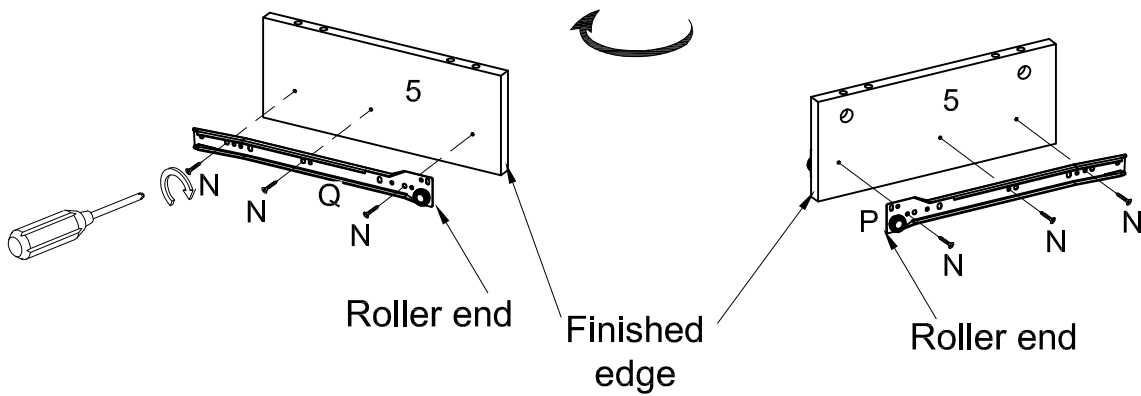
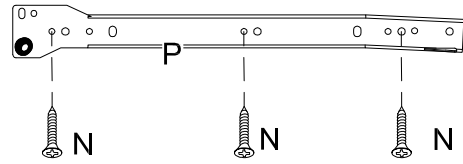
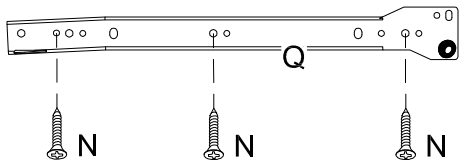
Step 7



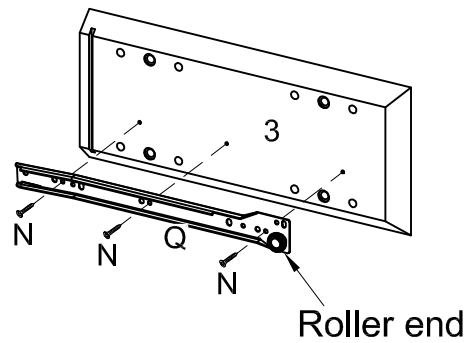
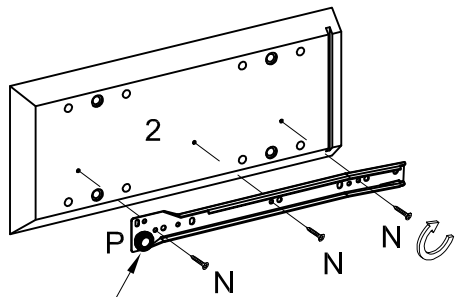
Step 8



Step 9

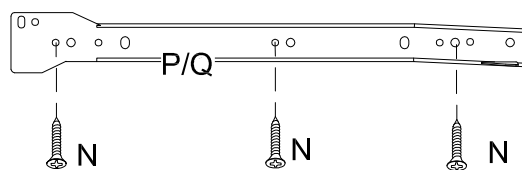


Step 10

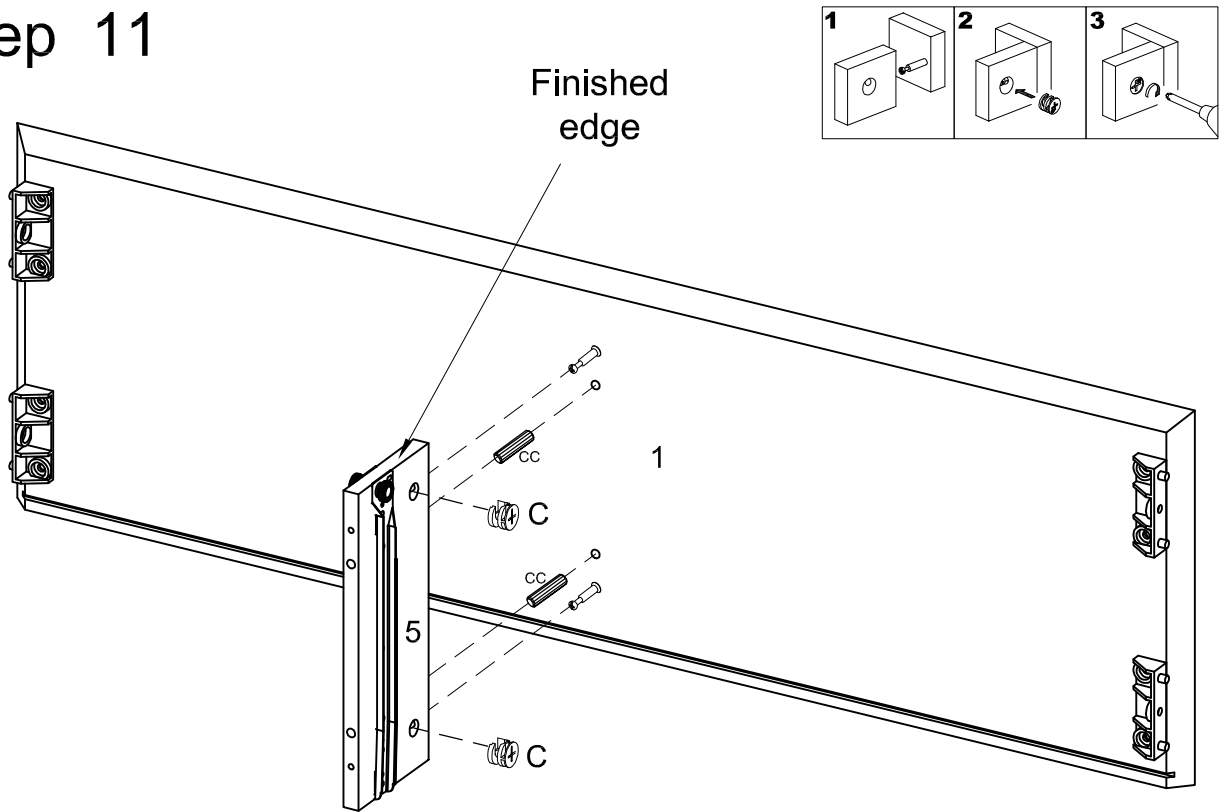


Roller end

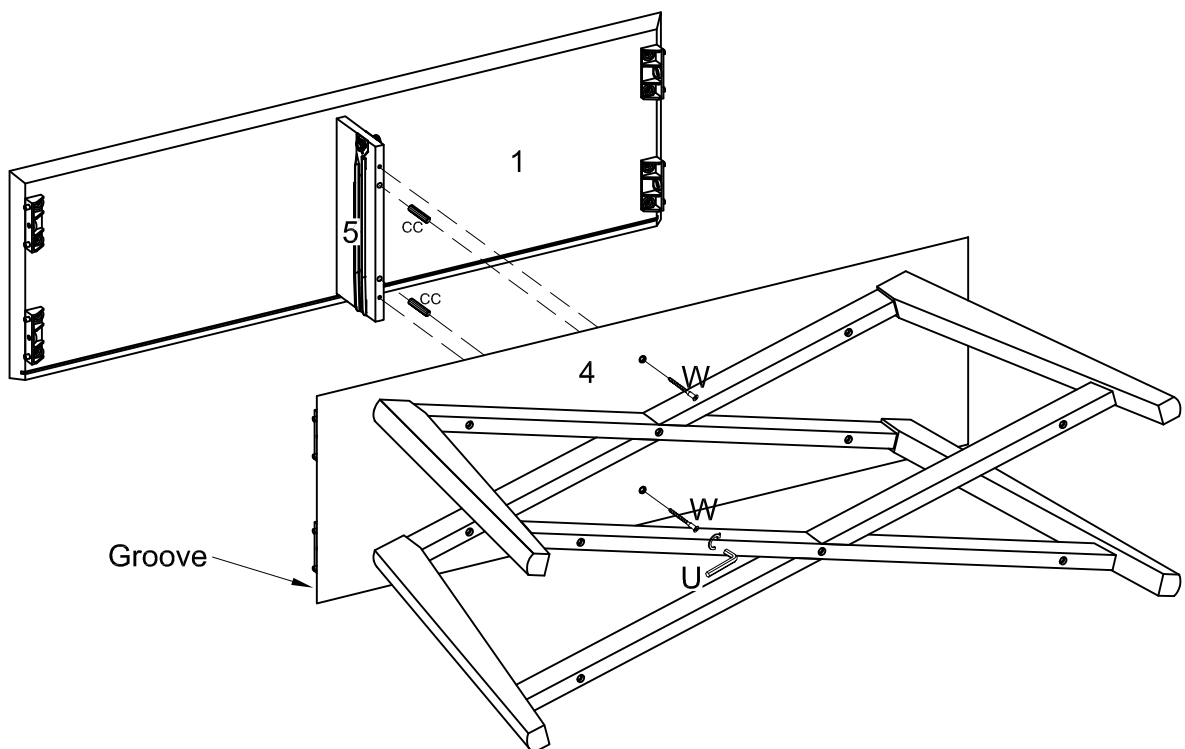
Roller end



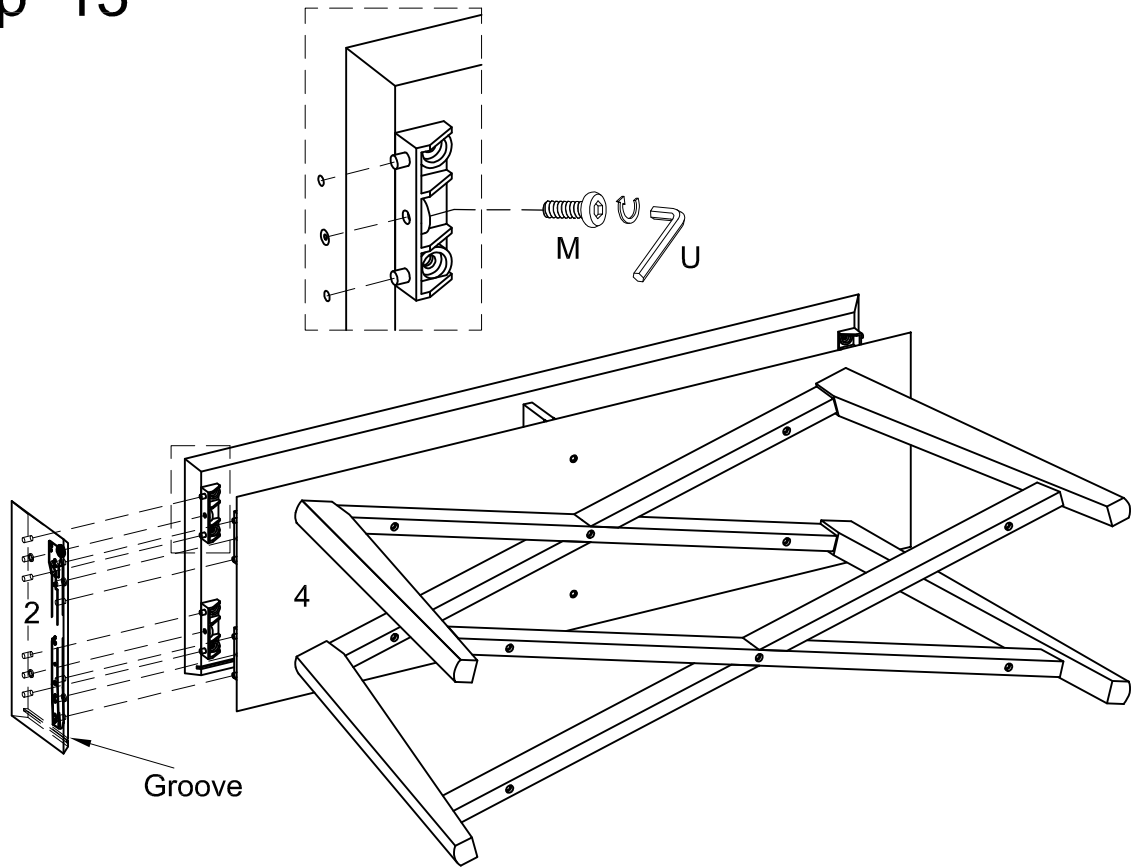
Step 11



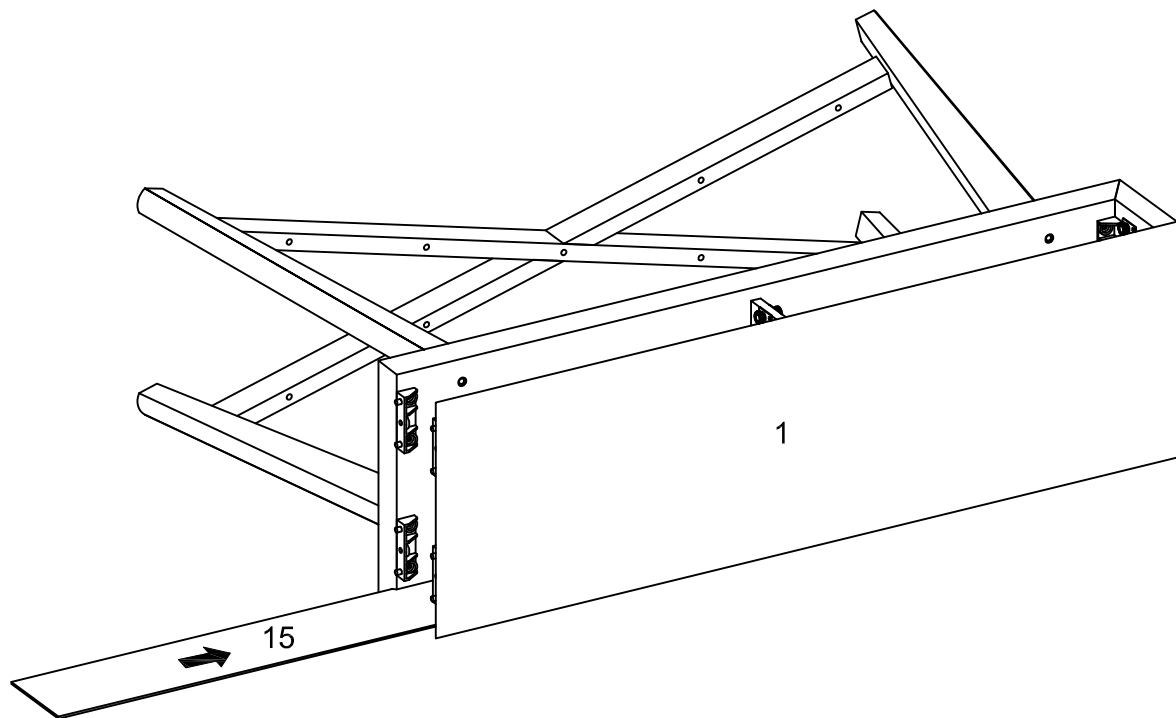
Step 12



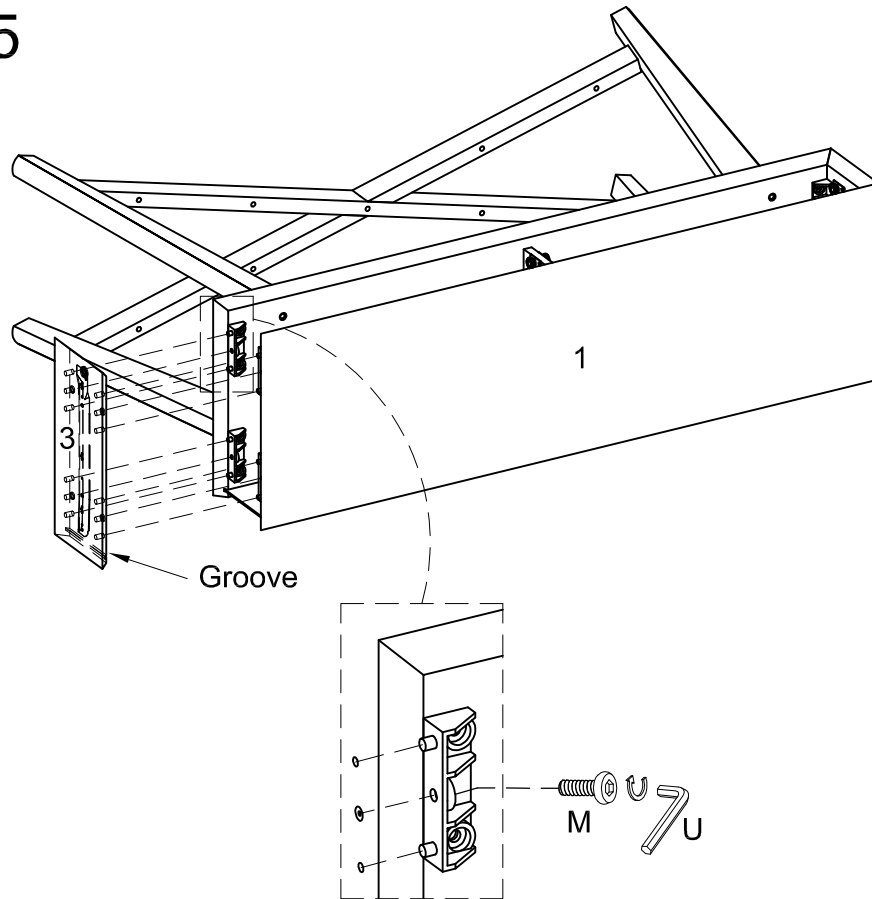
Step 13



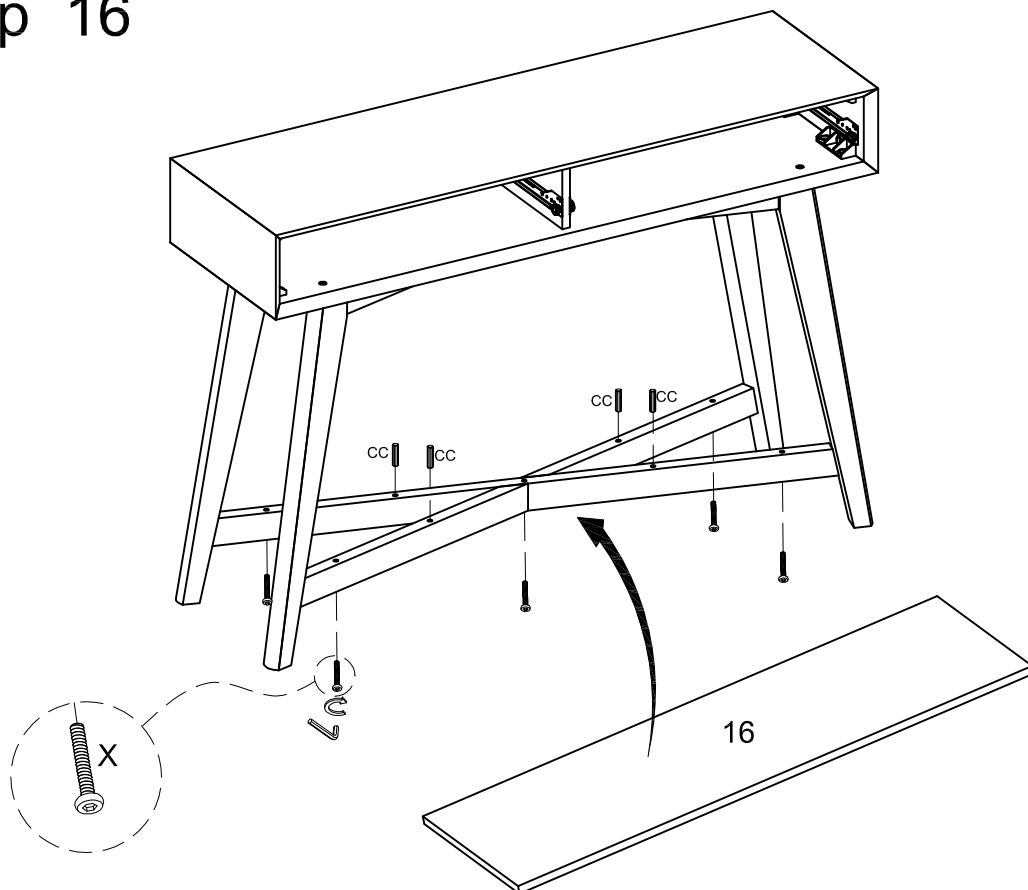
Step 14



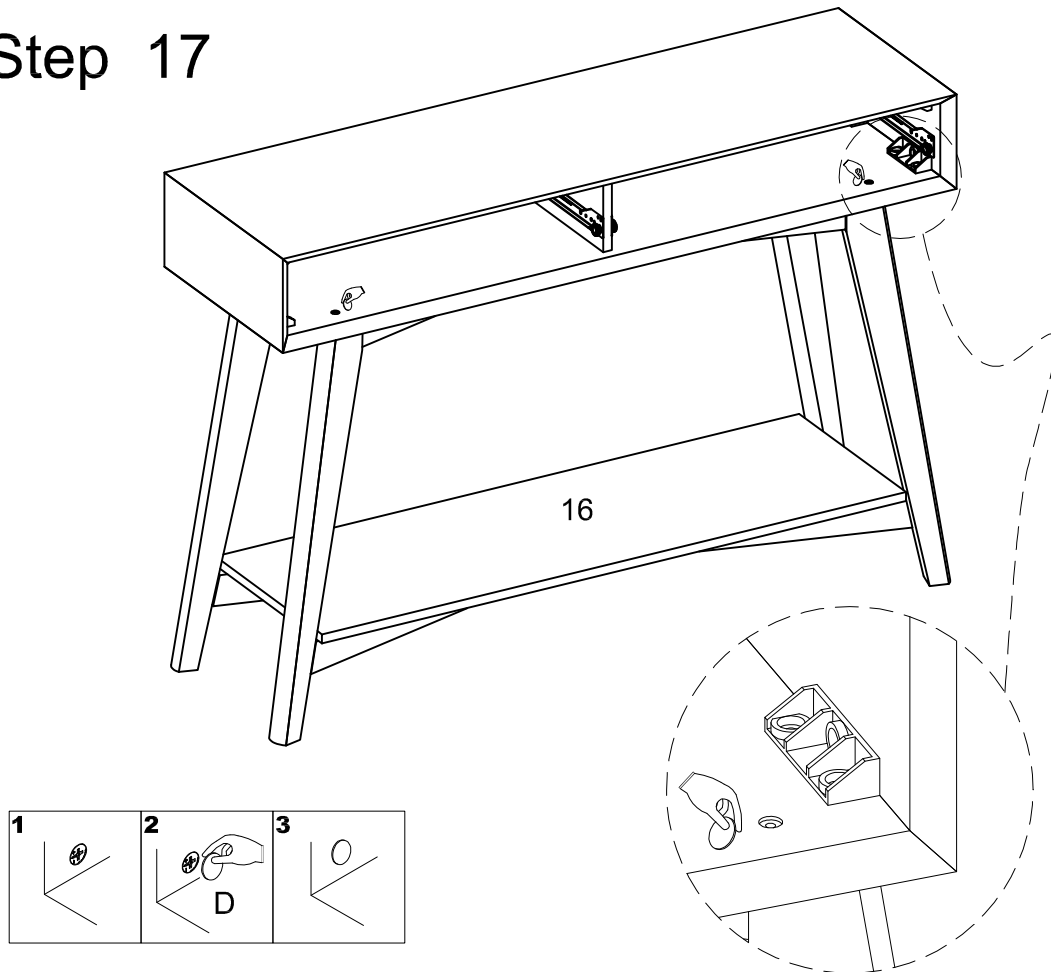
Step 15



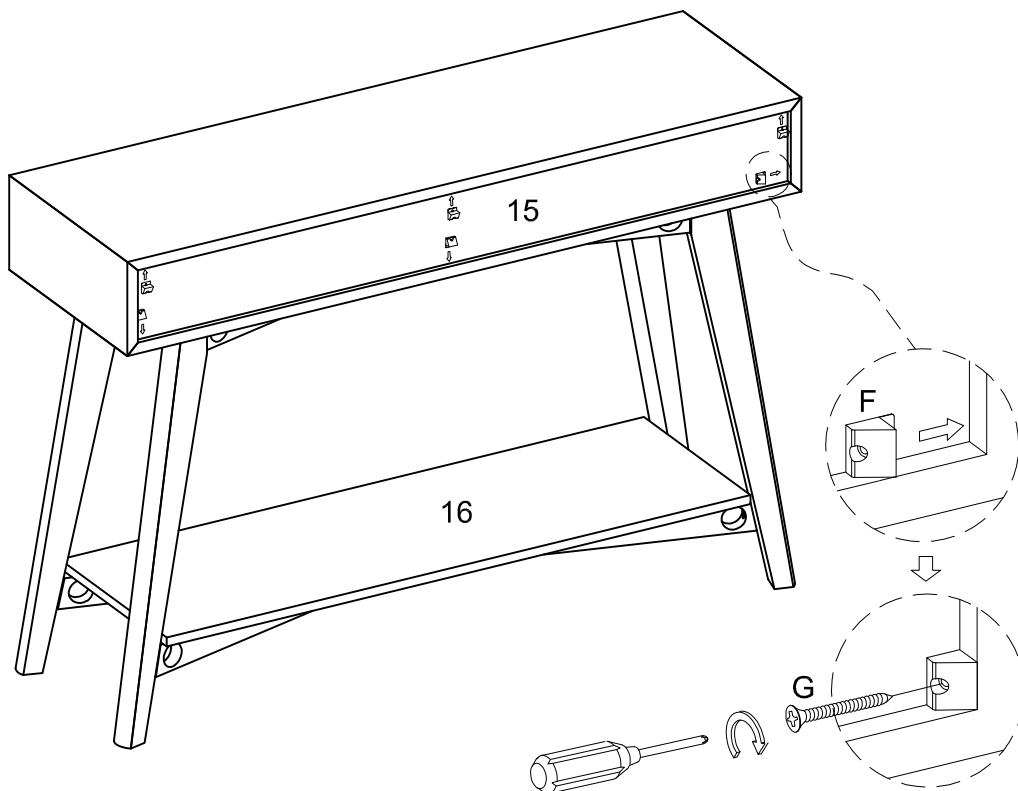
Step 16



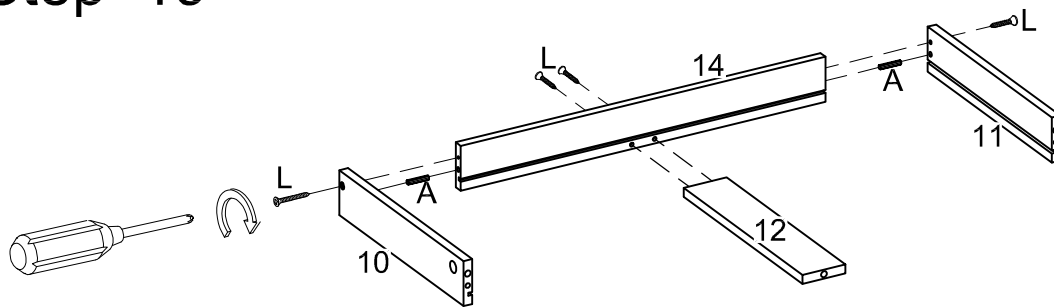
Step 17



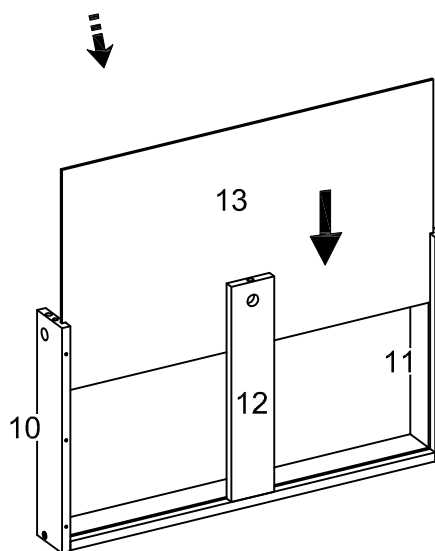
Step 18



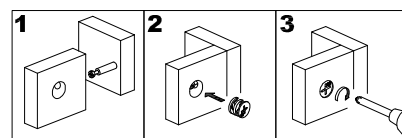
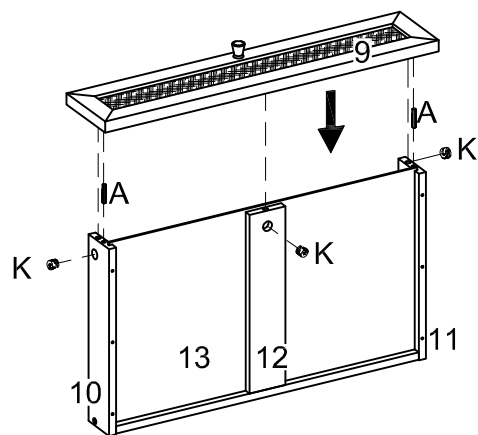
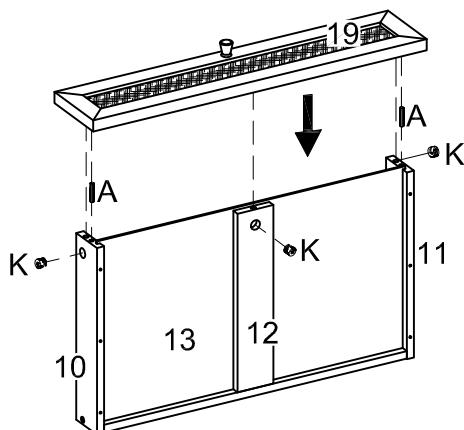
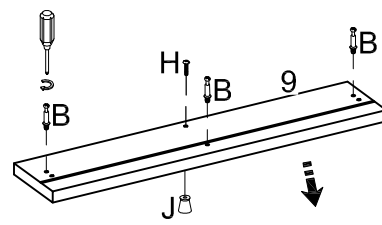
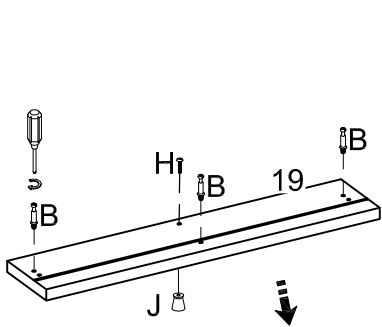
Step 19



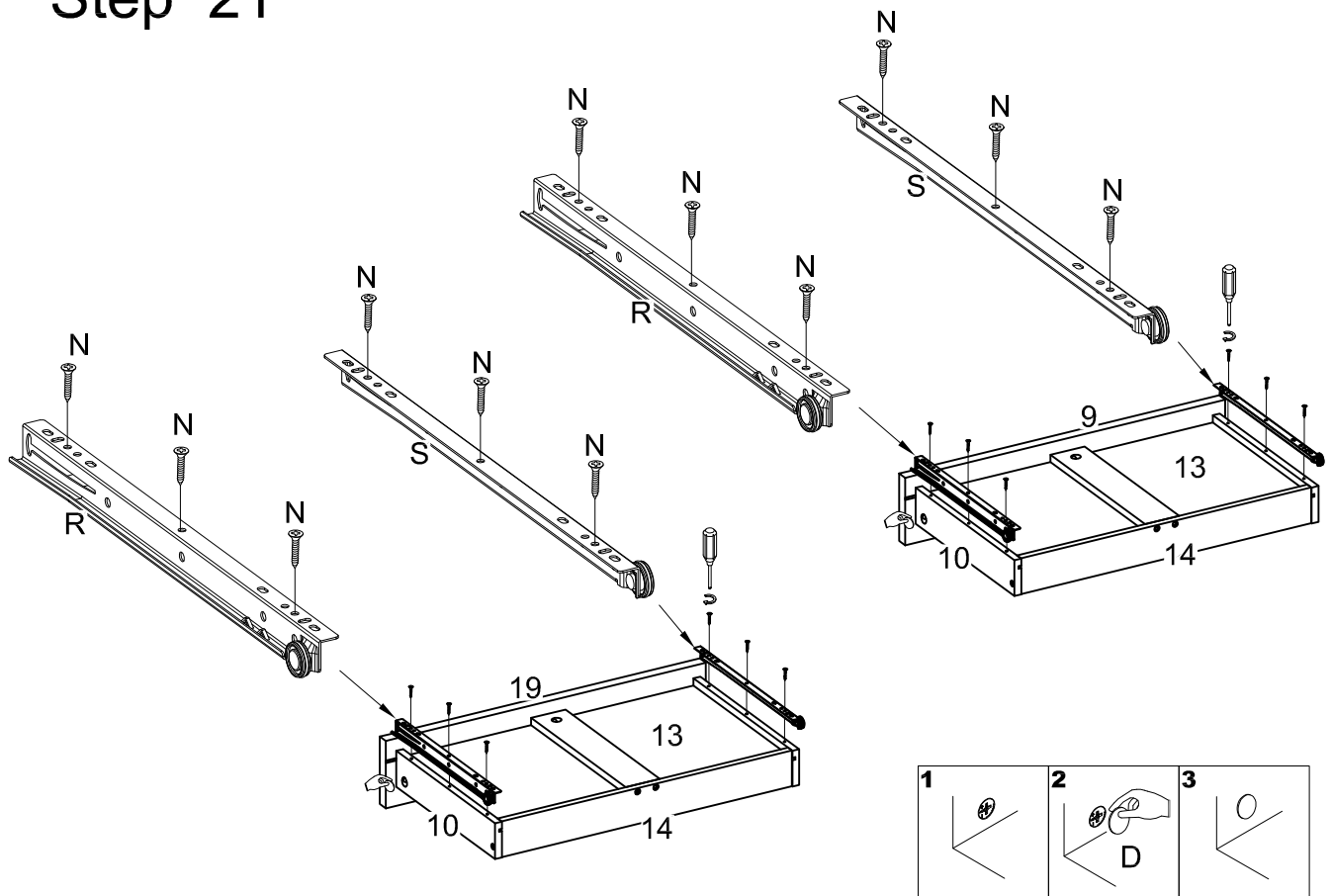
x2



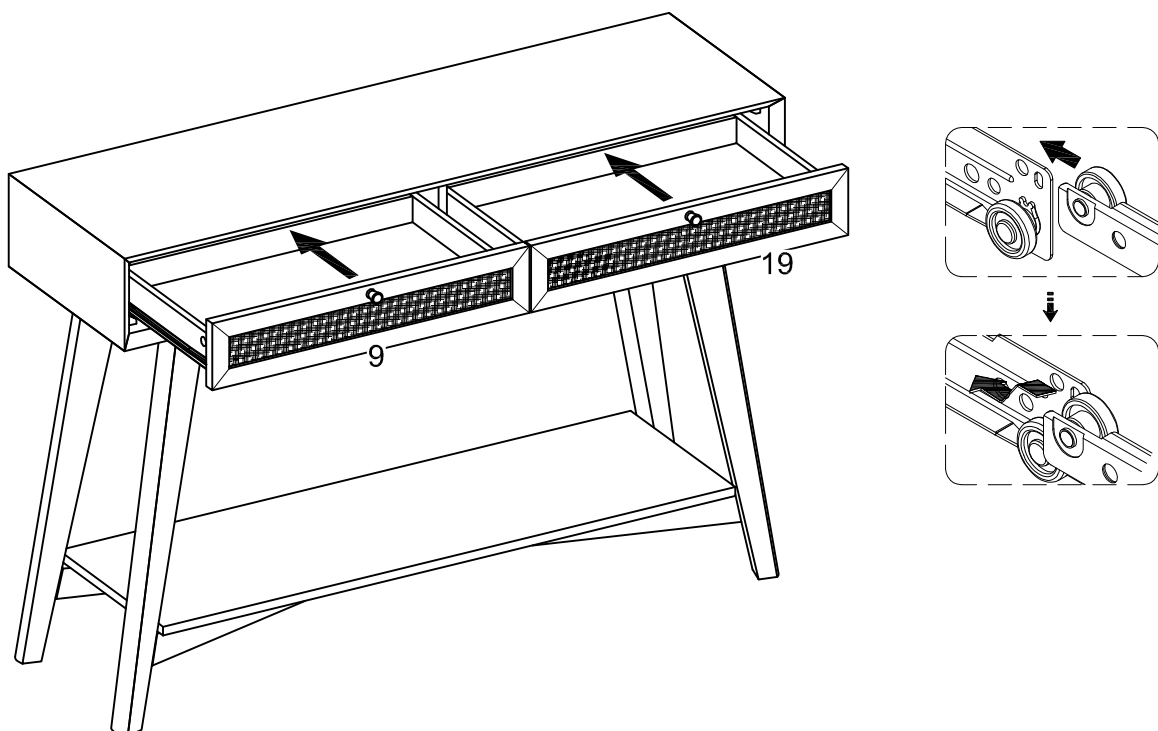
Step 20



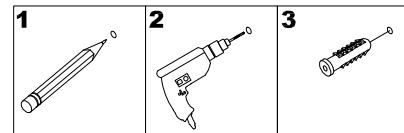
Step 21



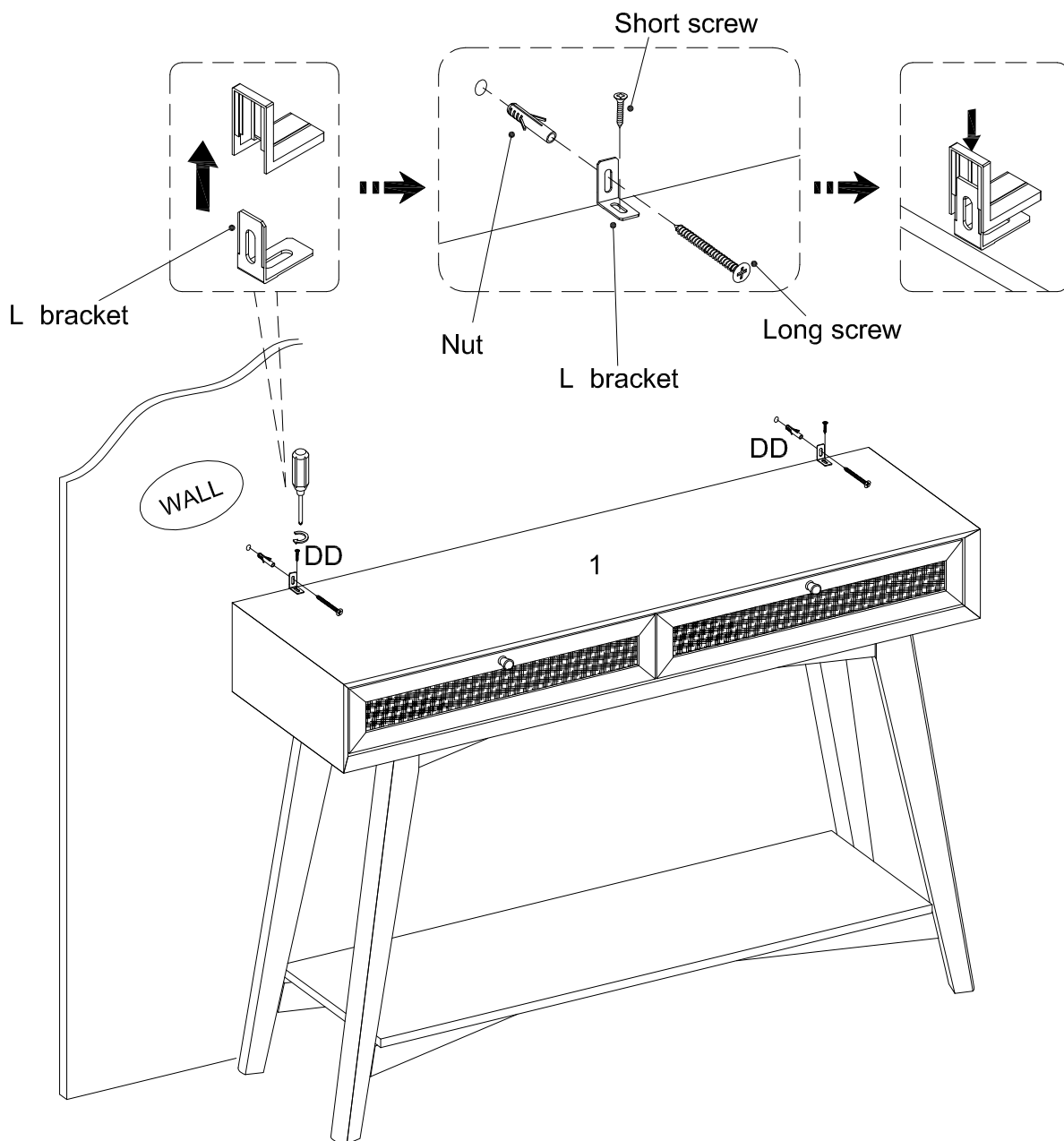
Step 22



Step 23



Serious or fatal injuries can occur from furniture tipping over. To prevent the furniture from tipping over we recommend that it is permanently fixed to the wall. Wall anchor and hardware are included with this product. Please make sure hardware is suitable for your walls before installing, as different wall materials may require different types of anchors.



Final Assembly