

### Features

- Solid brass rough-in valve included.
- 8" rain shower head.
- Concealed mixer.
- Pressure balance cartridge.
- Ceramic disc technology.
- 1/2" NPT inlets and outlets (compatible with US plumbing connections)

### Installation

- Wall mounted installation.

### Included Pieces


- 16" shower arm with flange. (Remer 343-40US-CR)
- 8" rain shower head. (Remer 359B20)
- Shower mixer with rough-in valve. (Remer K30-CR)



### Nameek's One-Year Limited Warranty

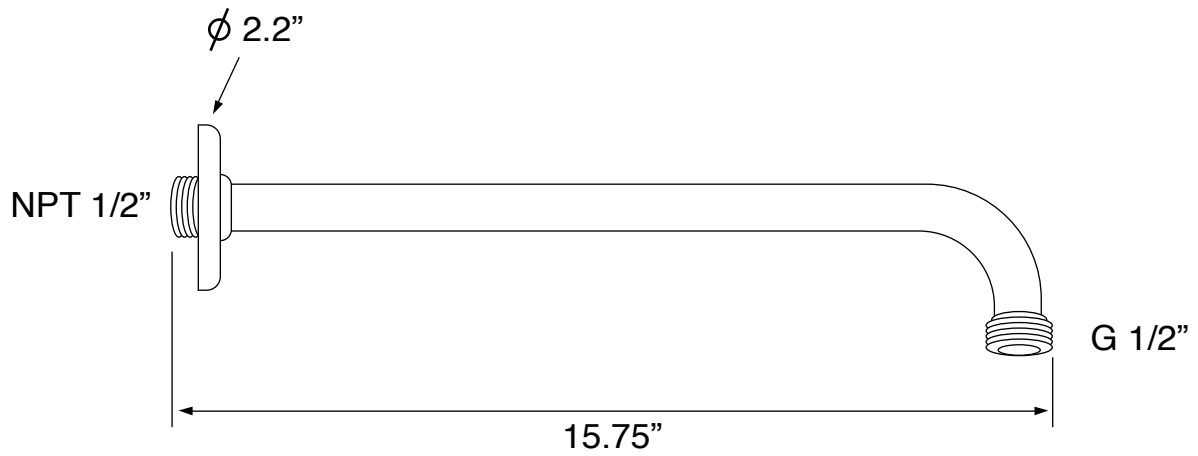
See website for warranty information details.

### Color/Finish Details

| Color   | Code | Description     |
|---|------|-----------------|
|  | CR   | Polished Chrome |

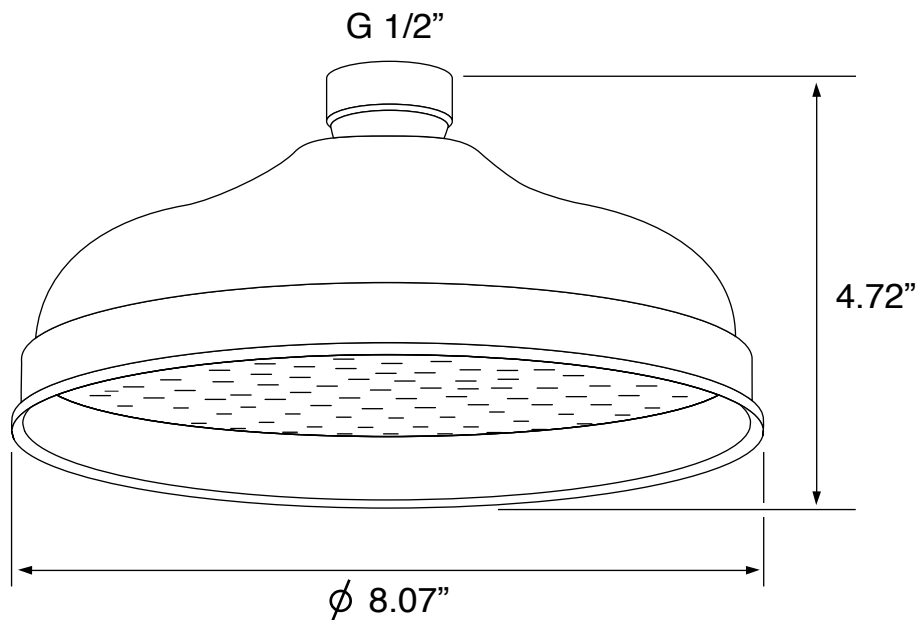
## Shower Arm

Remer 343-40US-CR



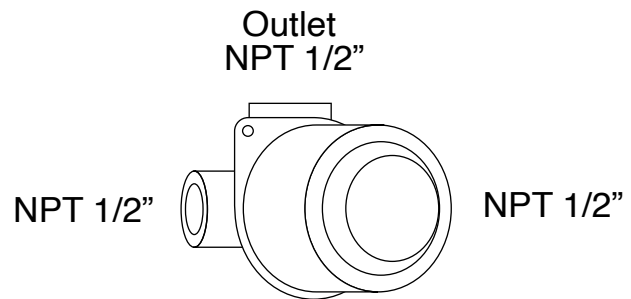
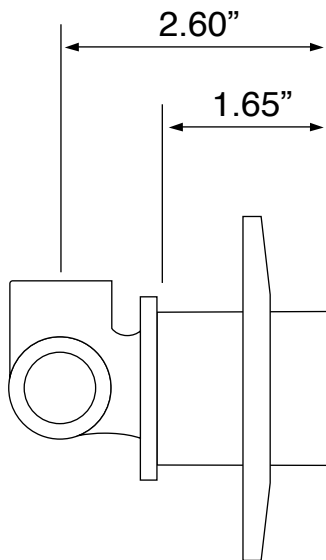
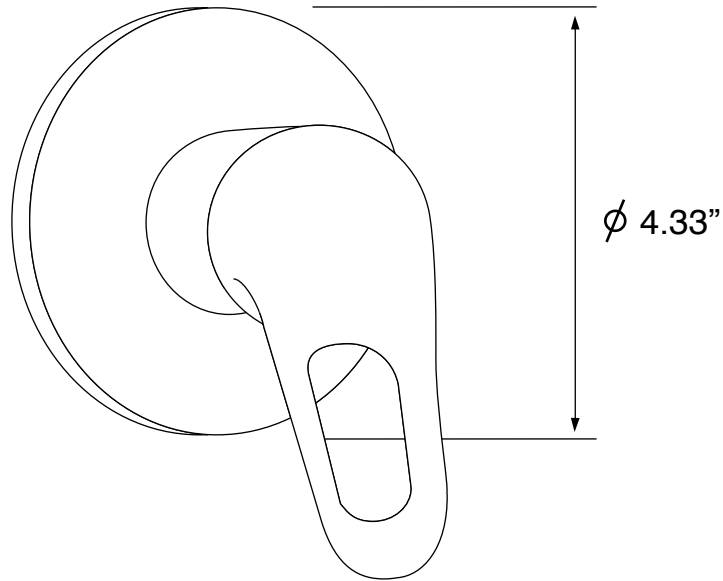
## Rain Shower Head

Remer 359B20



## Shower Valve (Trim + Rough-in Valve)

Remer K30-CR



## Technical Information

|                       |   |
|-----------------------|---|
| Shower head size:     | 8.07"                                       |
| Shower head type:     | Rain  |
| Pivoting shower head: | Yes   |
| Shower arm length:    | 15.75"                                      |
| Rough-in included:    | Yes   |
| Material:             | Brass                                       |
| Cartridge type:       | Pressure balance<br>Ceramic disc technology |

## Notes

This item is recommended to be installed by a licensed plumber or professional only. Please ensure to observe all local and building code requirements. Shut off water supply prior to installation.

Includes mounting hardware.