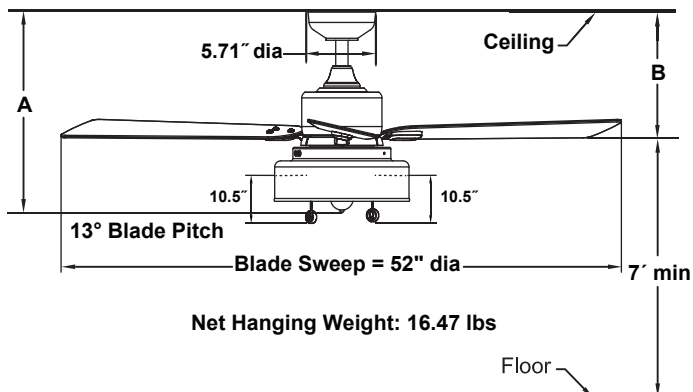


52" Ceiling Fan



	A	B
Fan w/4.5" downrod	16.79"	10.74"
Fan w/12" downrod	24.29"	18.24"
Fan w/18" downrod	30.29"	24.24"
Fan w/24" downrod	36.29"	30.24"
Fan w/36" downrod	48.29"	42.24"
Fan w/48" downrod	60.29"	54.24"
Fan w/60" downrod	72.29"	66.24"
Fan w/72" downrod	84.29"	78.24"

INSTALLATION REQUIREMENTS:

Fan must be attached to a securely anchored electrical junction box capable of withstanding a load of at least 35 lbs.

ELECTRICAL REQUIREMENTS:

Requires a grounded electrical supply line of 120 volts AC, 60 Hz, 15 amp circuit.

MOTOR SPECS:

153 x 20 AC motor is designed for optimal performance with this fan.

BLADES:

A set of three 22" plywood blades is included.

CONTROL OPTIONS:

Three fan speeds pull chain control included. The reverse switch is located on the switch housing. Optional WC2WH and WR501WH wall controls, BTR9 and CR500 remote controls, BTR9 receiver unit and WFR50 WiFi receiver unit are available —sold separately. Instructions are provided with each control.

LIGHTING OPTIONS:

One 6-watt LED bulb included.
ON/OFF and dimmable pull chain control.

DOWNROD OPTIONS:

Fan comes with a 1" Dia. x 4.5" downrod (DRT1-45). Optional downrods are available in 12", 18", 24", 36", 48", 60" and 72". For installations requiring a longer downrod, a downrod coupler is available. Fan can be mounted on a sloped ceiling up to 19°. Most sloped ceiling installations require a standard 18" downrod or longer downrod. Optional close-to-ceiling kit is available as well—sold separately. Optional sloped ceiling kits (SCK1-52) are available for up to 42°. Call technical support for more information.

LOCATION USE:

Fan is rated for dry location only. This fan is for room up to 400 sq ft.

Available Finishes	
LMW	Matte White with Matte White Blade and Blush Light shade

Airflow / Energy Efficiency Info (120V)					
Fan Speed	Max RPM	CFM	CFM / Watts	Amps	Watts
High	181	4829	83	0.48	58
Med	116	3312	110	0.35	30
Low	72	1872	157	0.22	12

Energy Guide FTC			
Power (Watt)	Total Air Delivery (CFMave)	Estimated Yearly Energy Cost (\$)	Ceiling Fan Efficiency (CFM/W)
36	3443	10	95

Light Bulb Information (120V)					
Bulb Type	Watts	QTY	Lumens Amount	Color Temp	CRI
LED	6	1	500	2700	90%