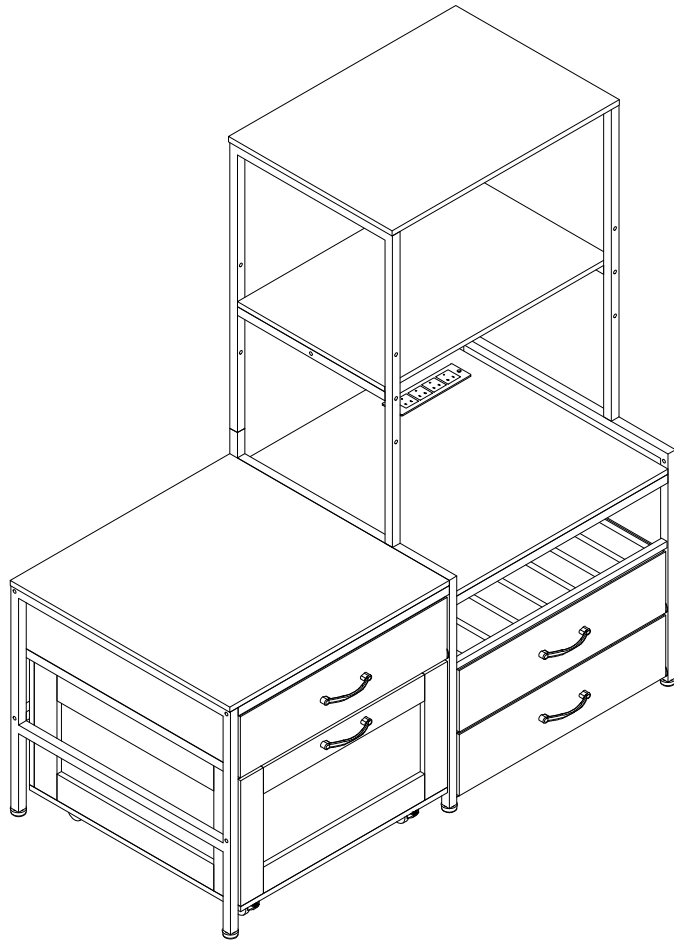
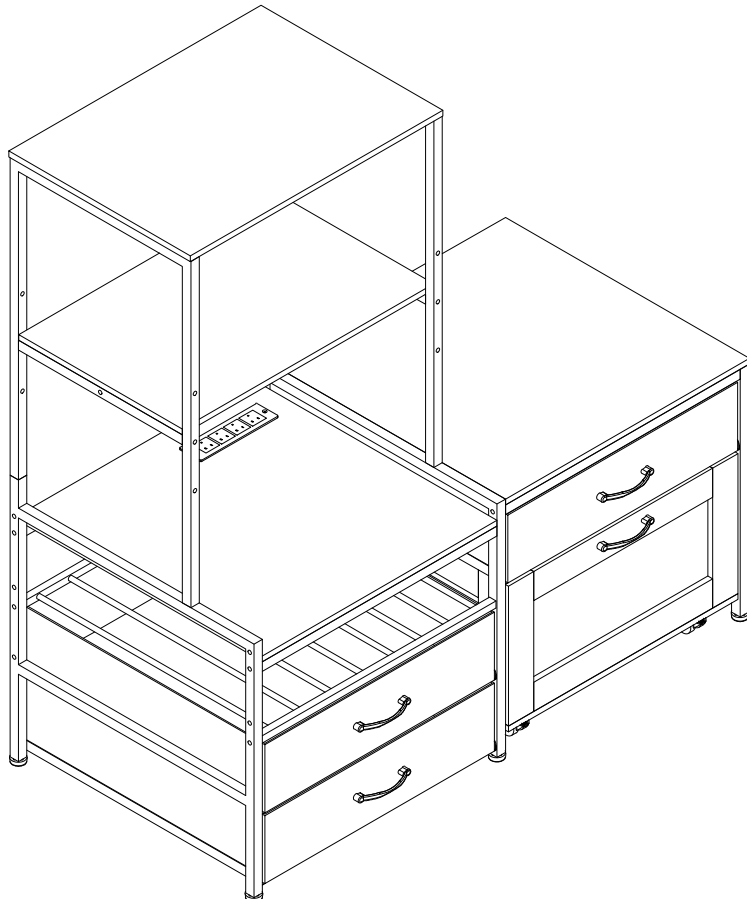


ASSEMBLY INSTRUCTION

a

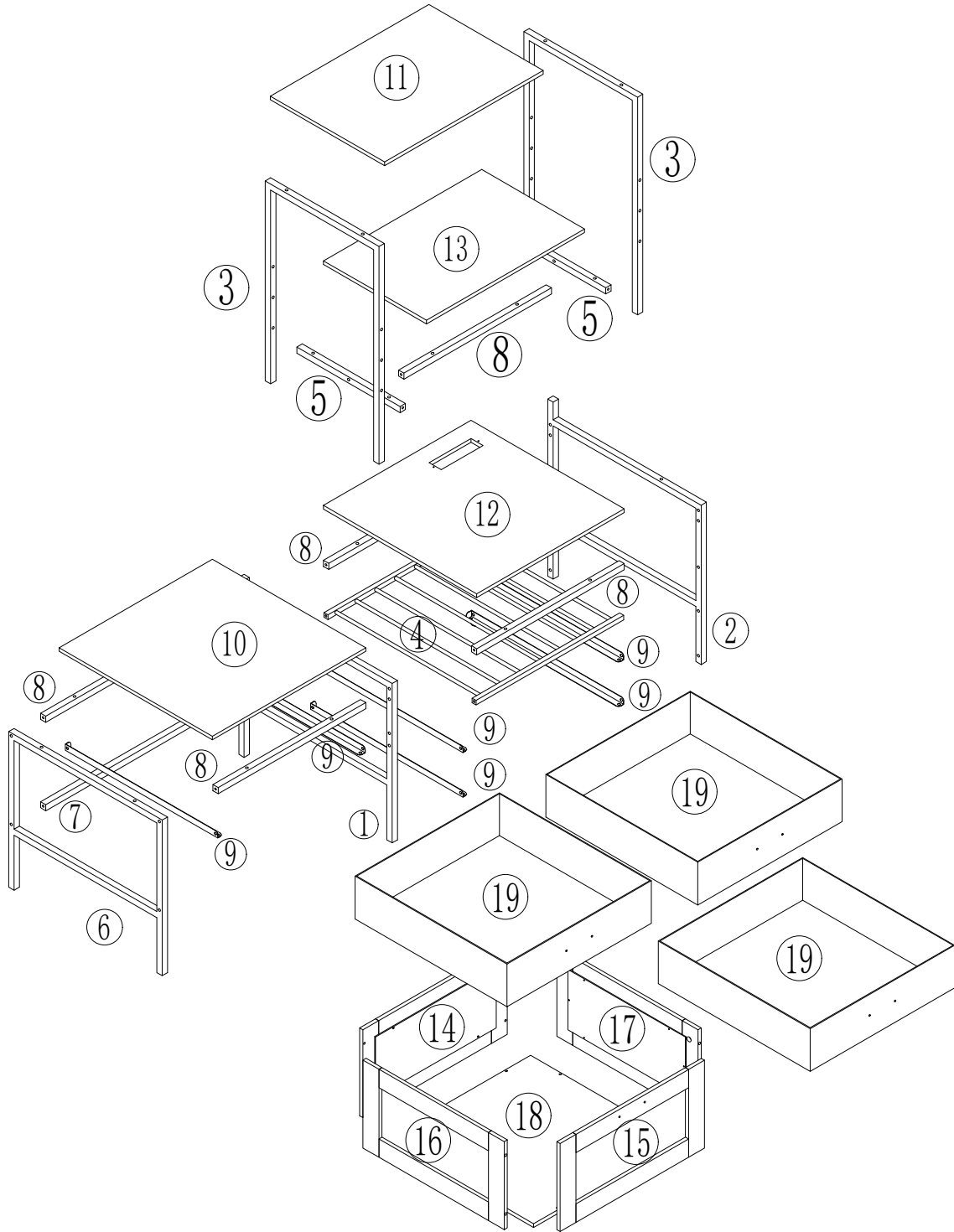


b



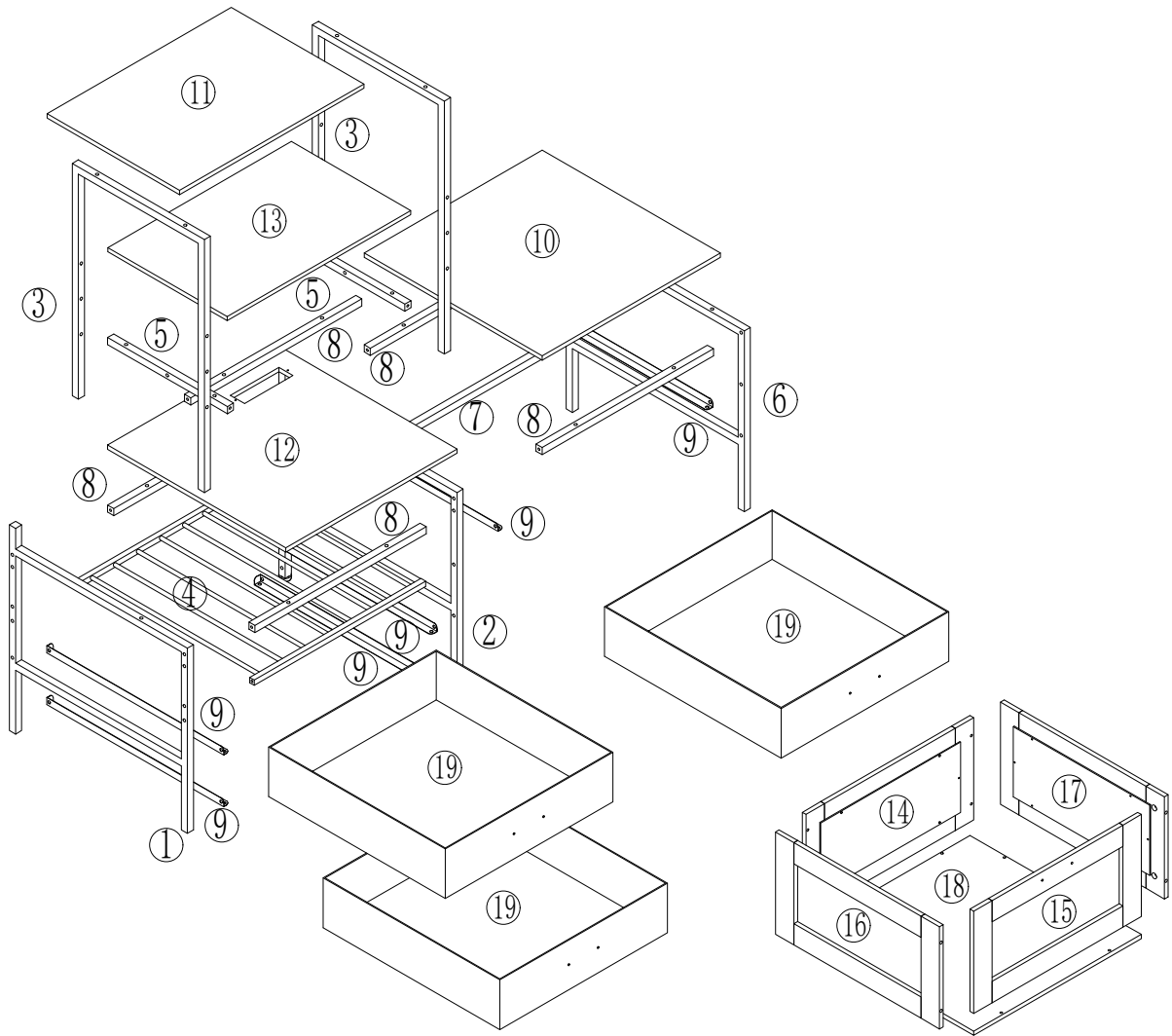
ASSEMBLY INSTRUCTION

a



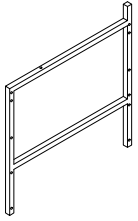
ASSEMBLY INSTRUCTION

b



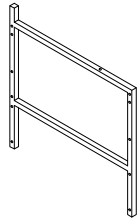
ASSEMBLY INSTRUCTION

1



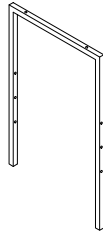
1PCS

2



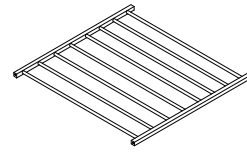
1PCS

3



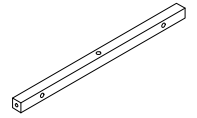
2PCS

4



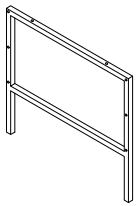
1PCS

5



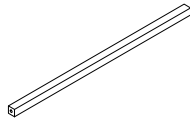
2PCS

6



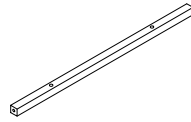
1PCS

7



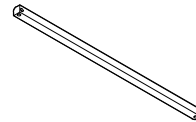
1PCS

8



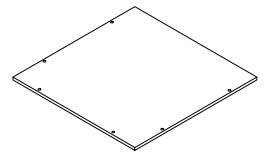
5PCS

9



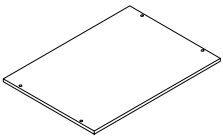
6PCS

10



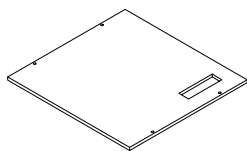
1PCS

11



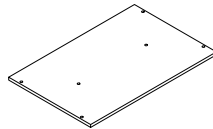
1PCS

12



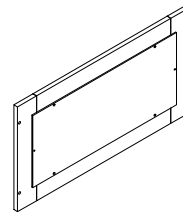
1PCS

13



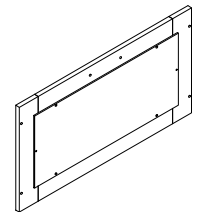
1PCS

14



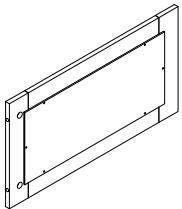
1PCS

15



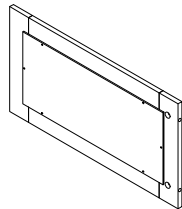
1PCS

16



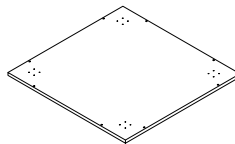
1PCS

17



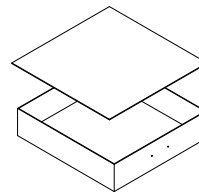
1PCS

18



1PCS

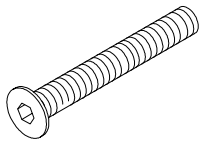
19



3PCS

ASSEMBLY INSTRUCTION

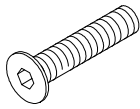
A



M6*40

22PCS

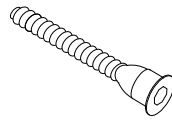
B



M6*28

20PCS

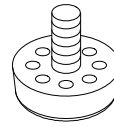
C



M5*38

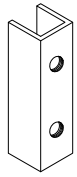
12PCS

D



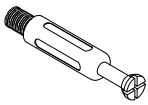
6PCS

E



2PCS

F



4PCS

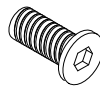
G



15*9.3mm

4PCS

H



M6*10

4PCS

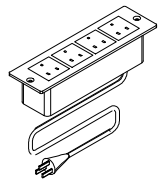
I



M3*12

18PCS

J



1PCS

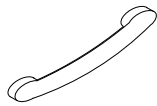
K



M6*12.5*12

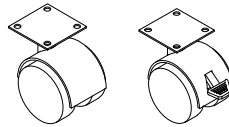
12PCS

L



4PCS

M



2PCS

N



M4*6

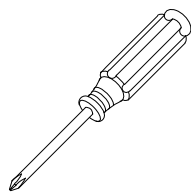
6PCS

O

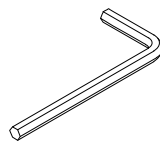


M4*15

2PCS

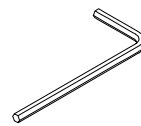


1PCS



4MM

1PCS


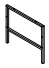




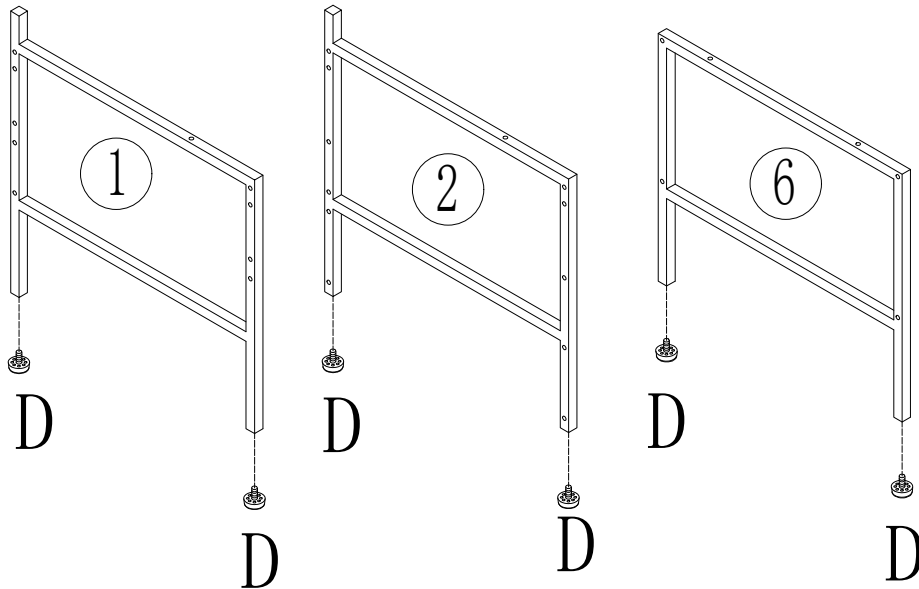
3MM

1PCS



ASSEMBLY INSTRUCTION

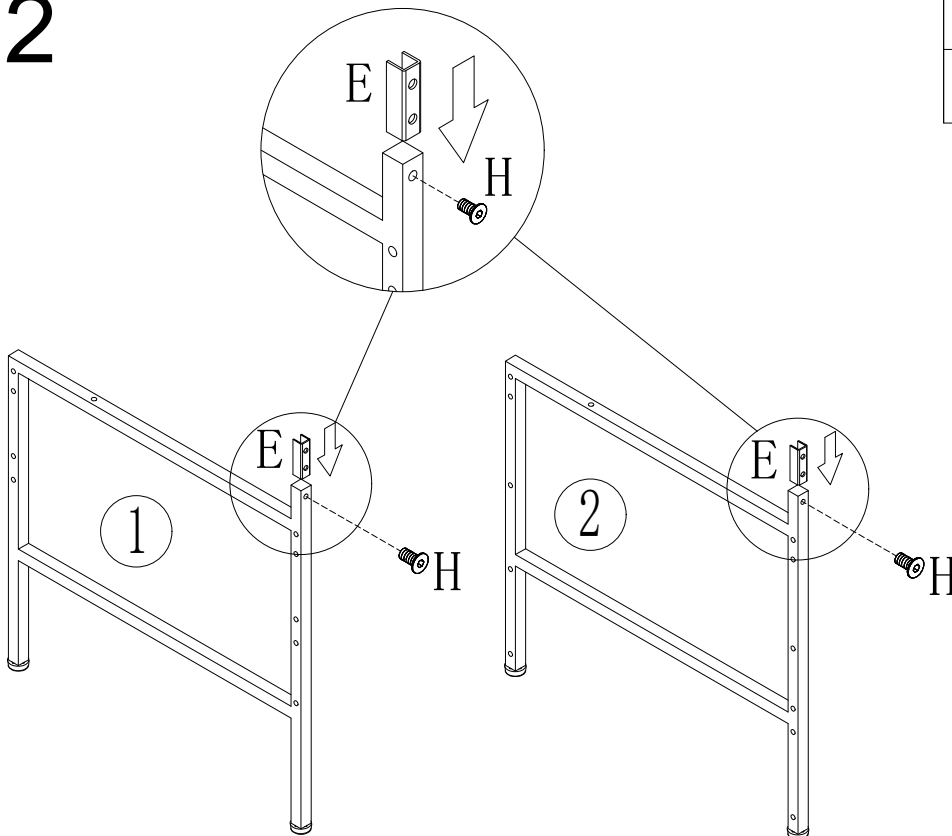
STEP 1

1		1PCS	6		1PCS
2		1PCS	D		6PCS



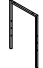


STEP 2

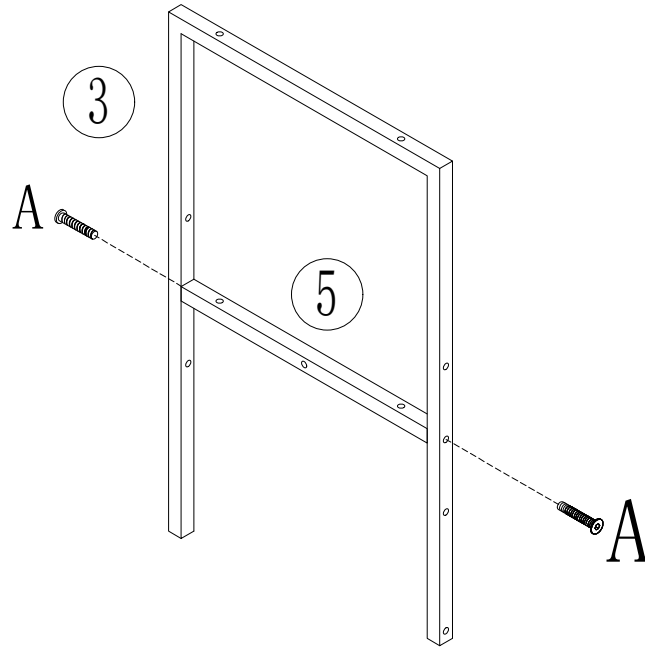
E		2PCS
H		2PCS



ASSEMBLY INSTRUCTION



STEP 3

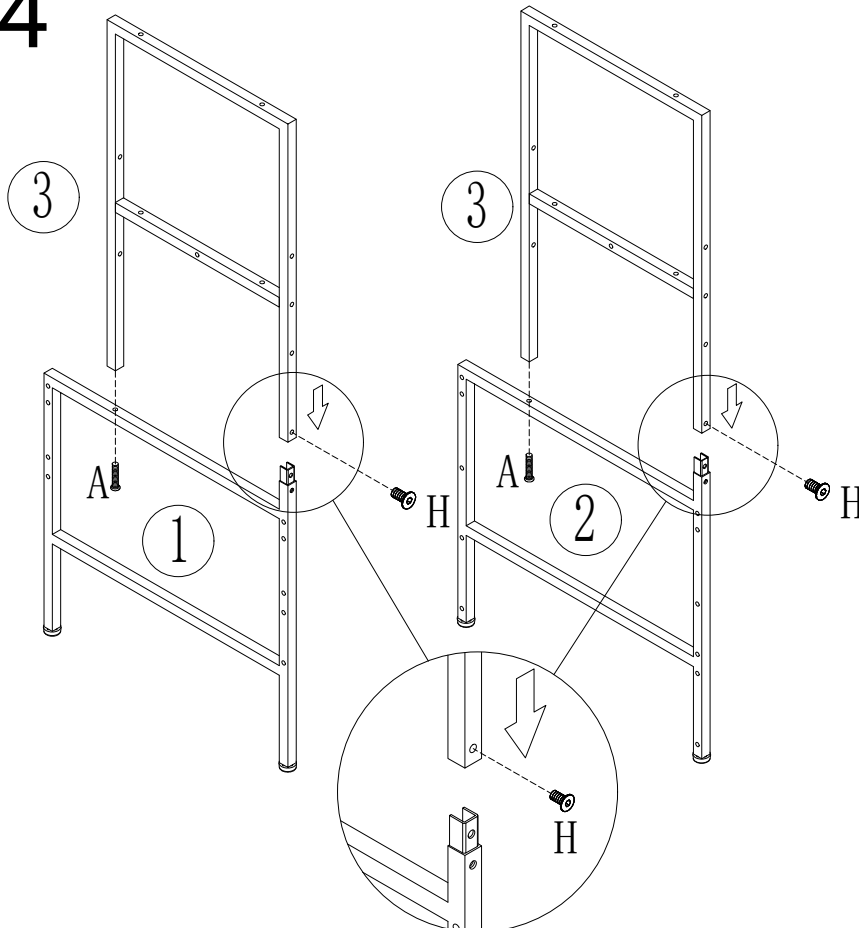
3		2PCS
5		2PCS
A		4PCS



x2


STEP 4

A		2PCS
H		2PCS

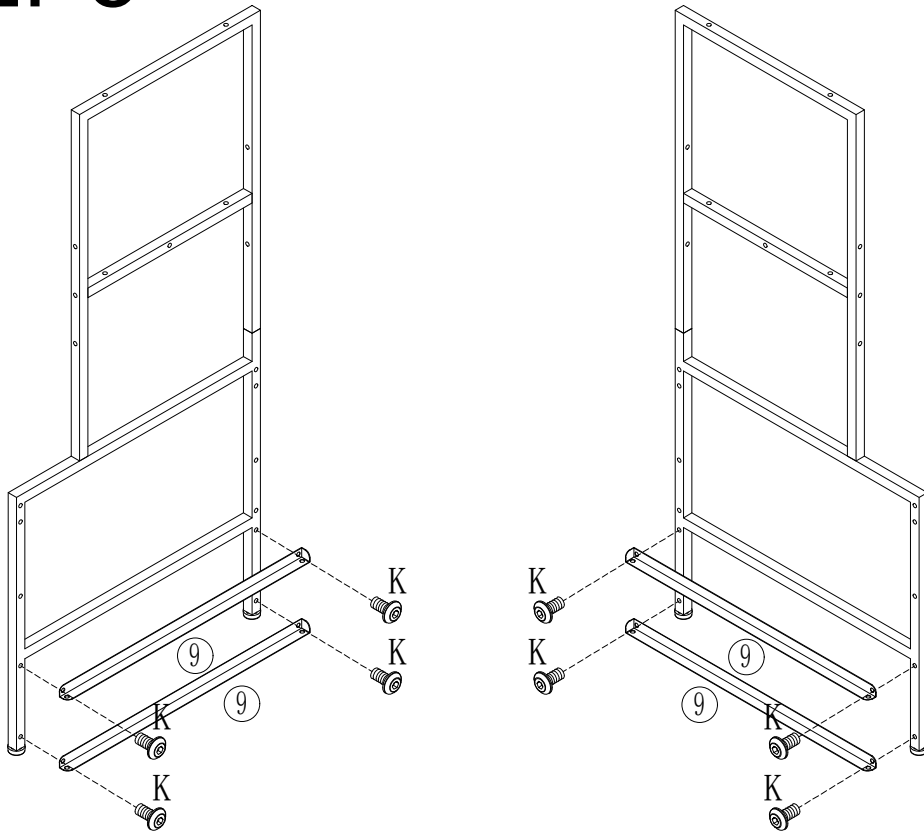


ASSEMBLY INSTRUCTION

STEP 5

9  4PCS

K  8PCS

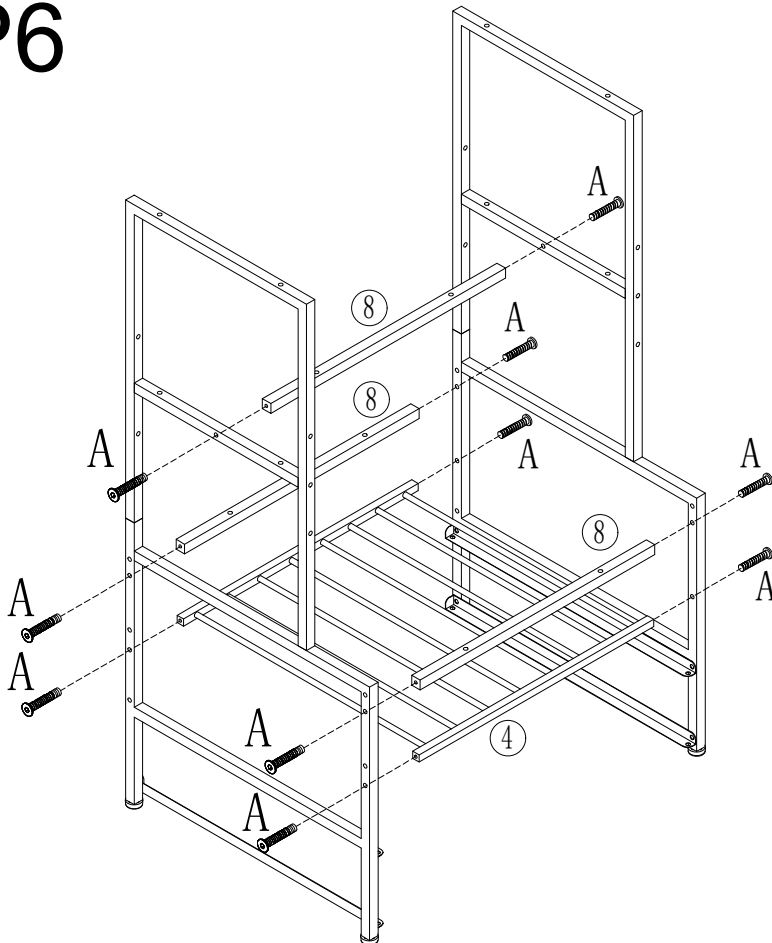


STEP 6

4  1PCS

8  3PCS

A  10PCS

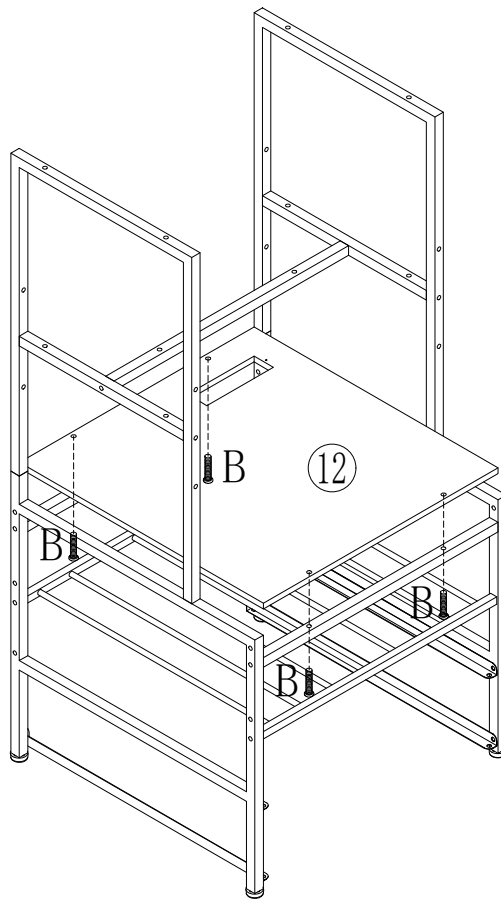


ASSEMBLY INSTRUCTION

STEP 7

12  1PCS

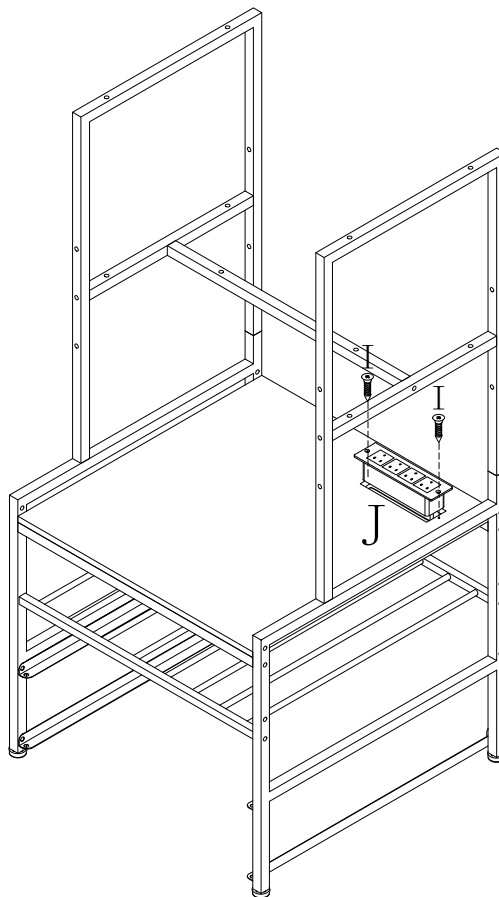
B  4PCS



STEP 8

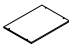


J  1PCS

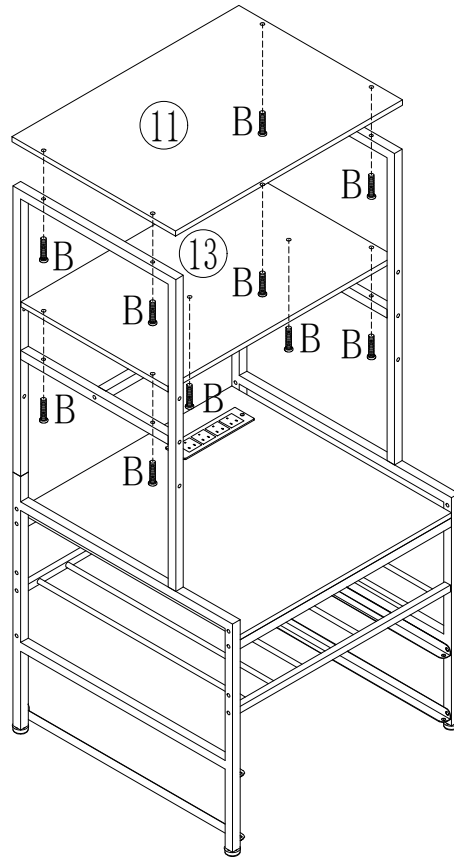
I  2PCS






ASSEMBLY INSTRUCTION

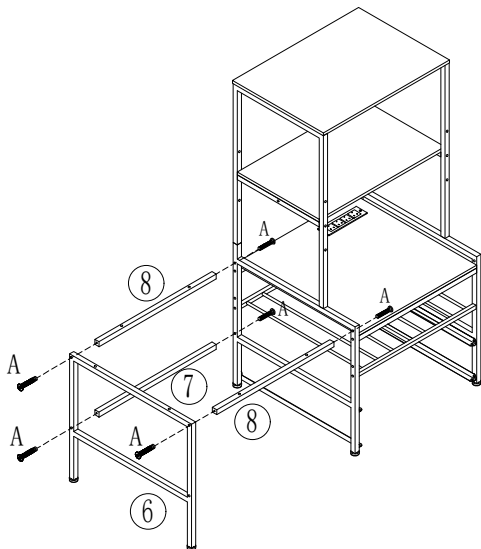
STEP 9

11		1PCS
13		1PCS
B		10PCS



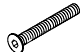


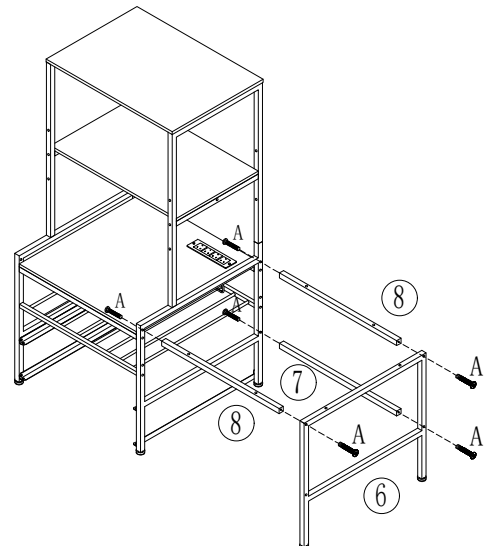
STEP 10-a

7		1PCS
8		2PCS
A		6PCS





STEP 10-b

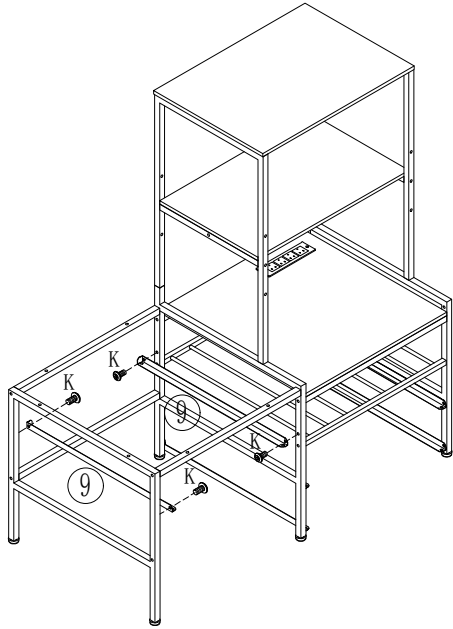
7		1PCS
8		2PCS
A		6PCS





ASSEMBLY INSTRUCTION

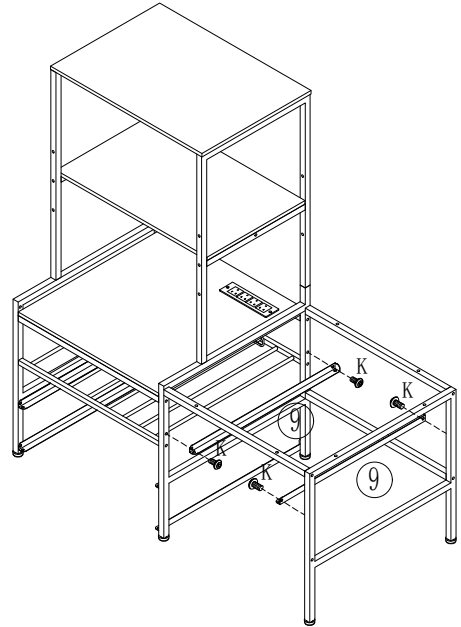
STEP11-a

9  2PCS
K  4PCS





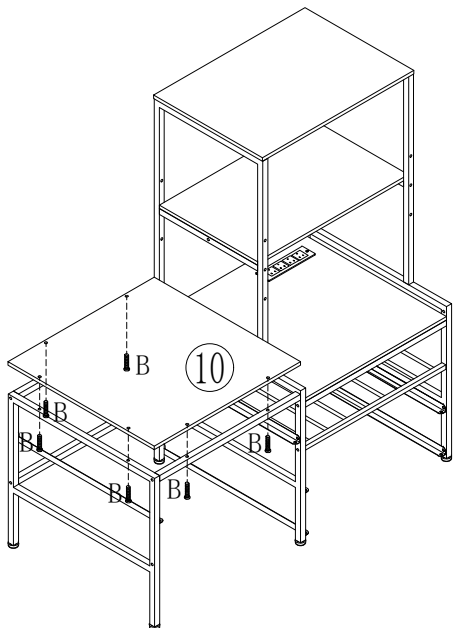
STEP11-b

9  2PCS
K  4PCS





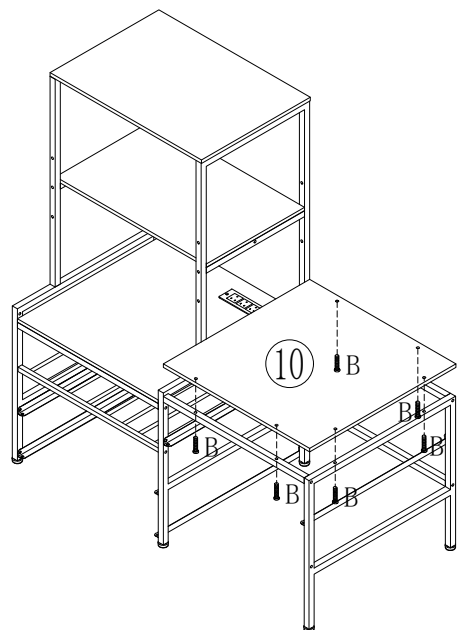
STEP12-a

10  1PCS
B  6PCS




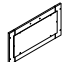

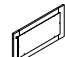
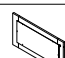
STEP12-b

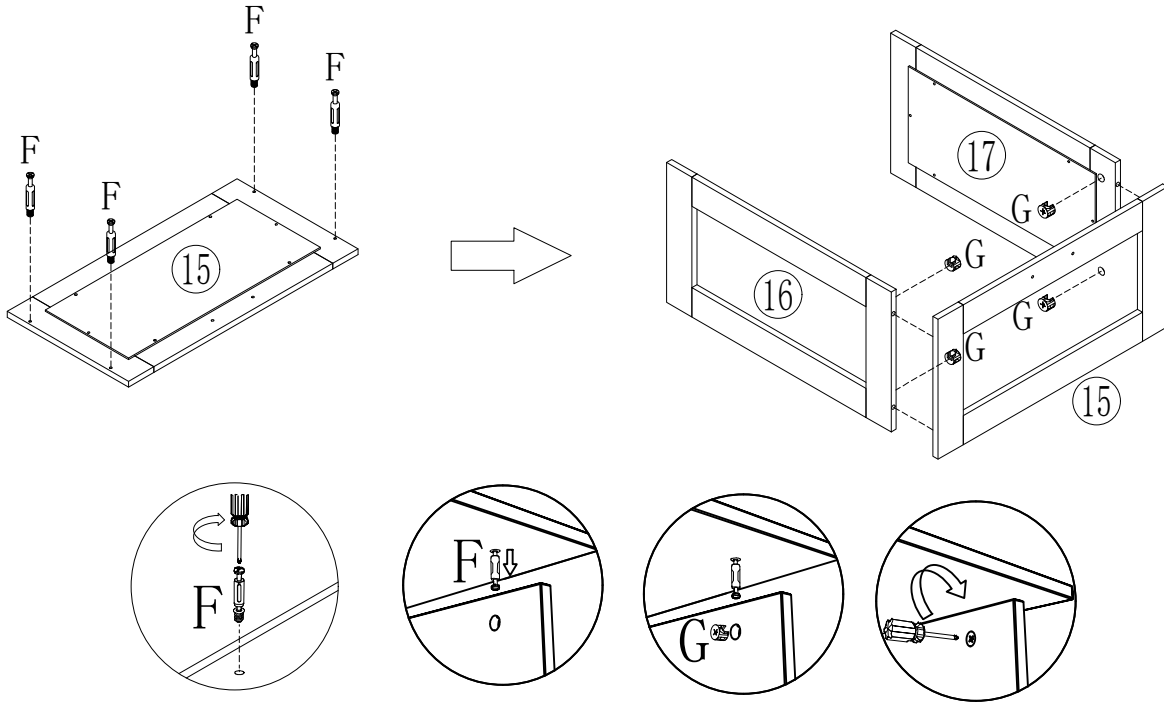
10  1PCS
B  6PCS



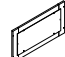



ASSEMBLY INSTRUCTION

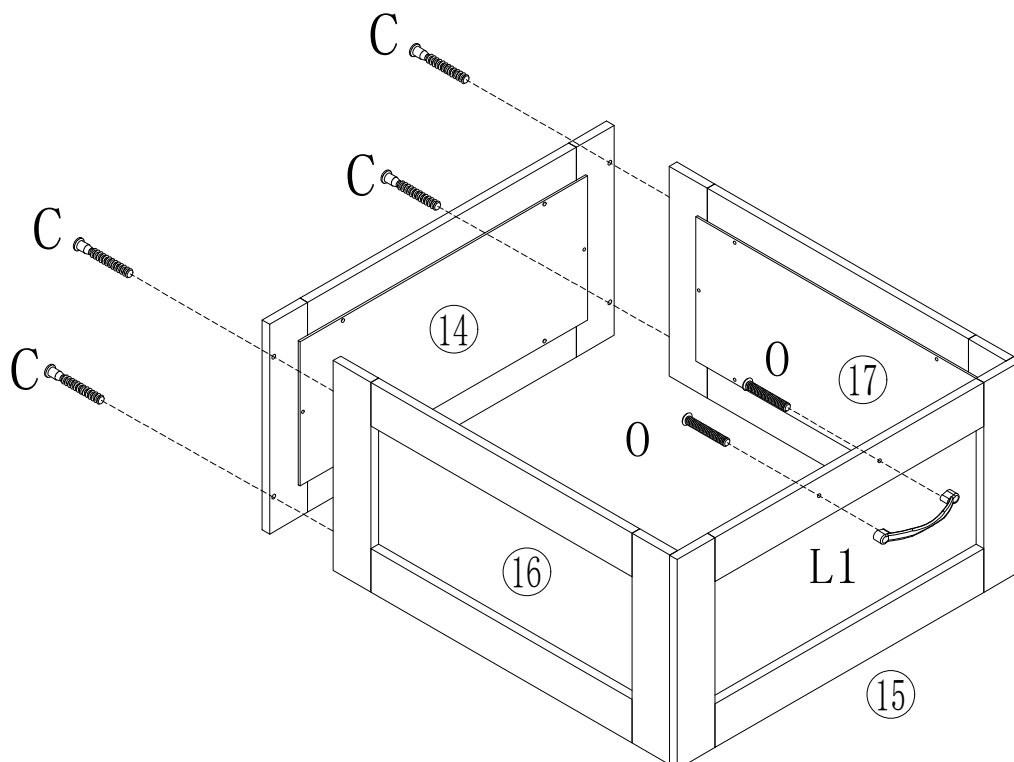
STEP 13

F		4PCS	15		1PCS
G		4PCS	16		1PCS
			17		1PCS





STEP 14

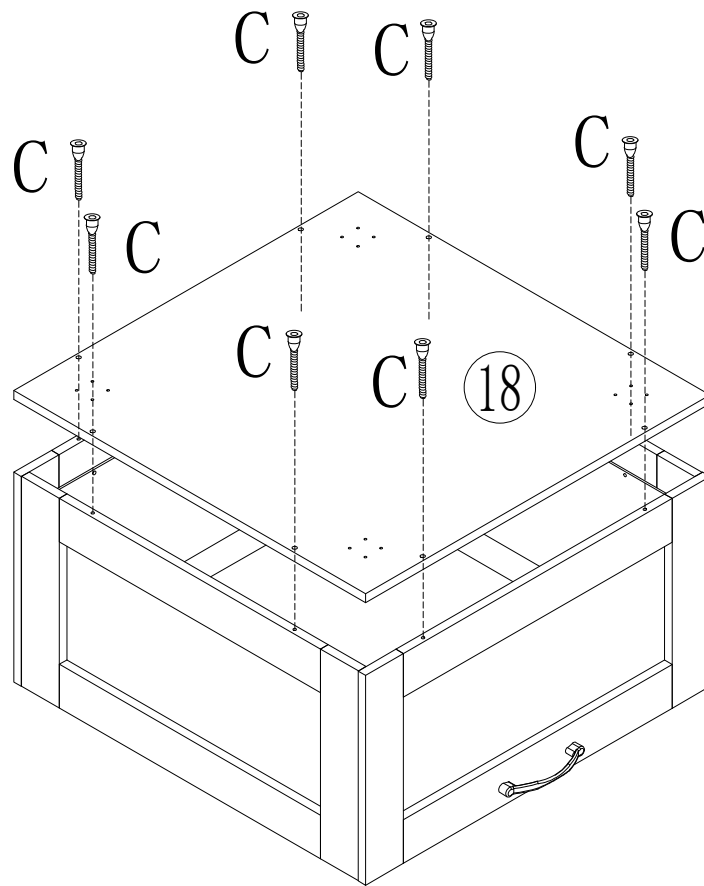
14		1PCS
C		4PCS
L		1PCS
O		2PCS





ASSEMBLY INSTRUCTION

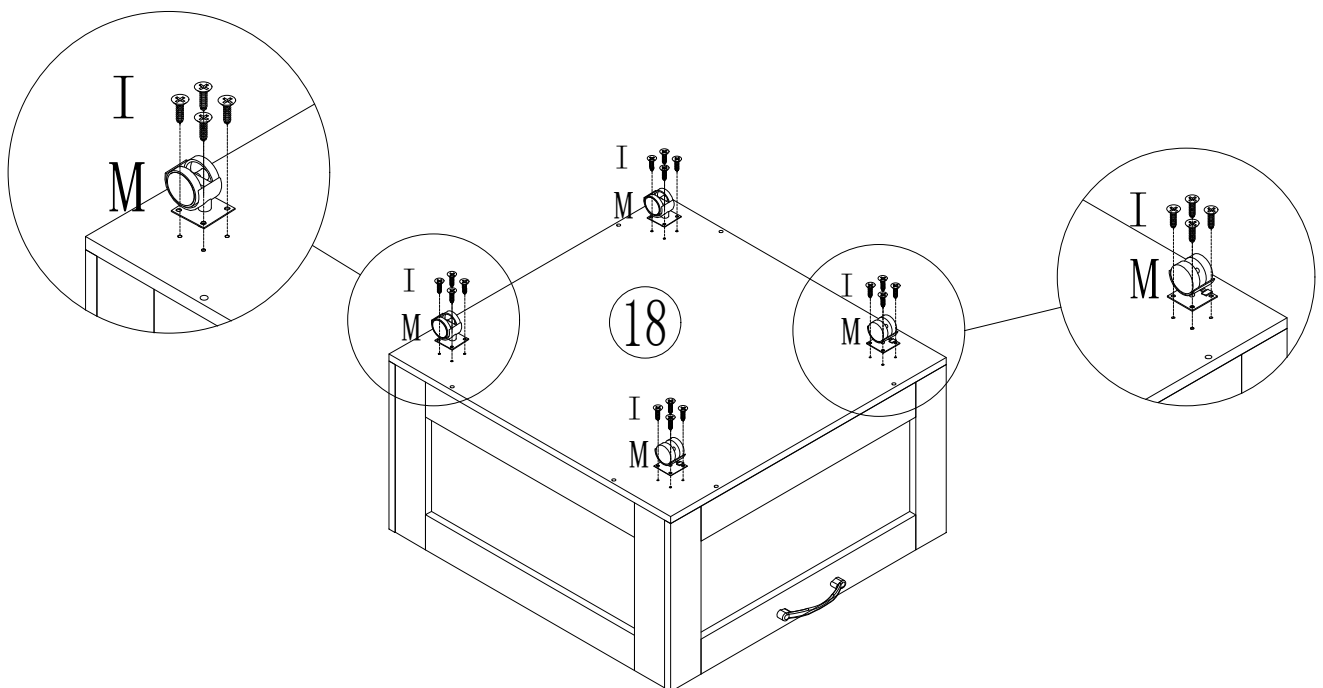
STEP 15

18		1PCS
C		8PCS






STEP 16

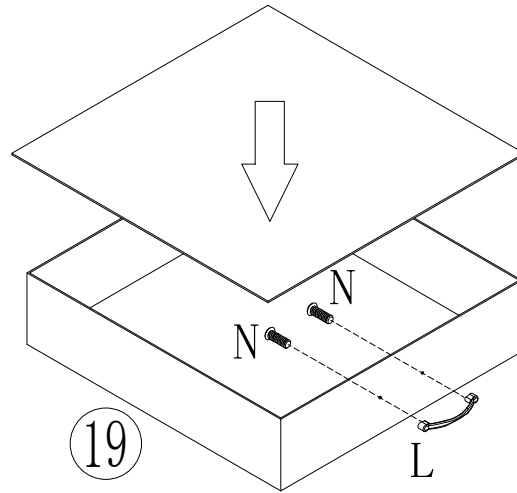
I		16PCS
M		2PCS



ASSEMBLY INSTRUCTION

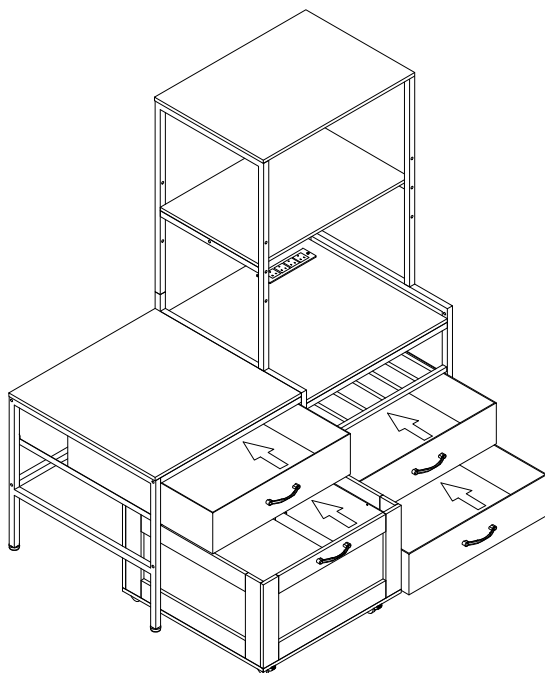
STEP17

19		3PCS
L		3PCS
N		6PCS

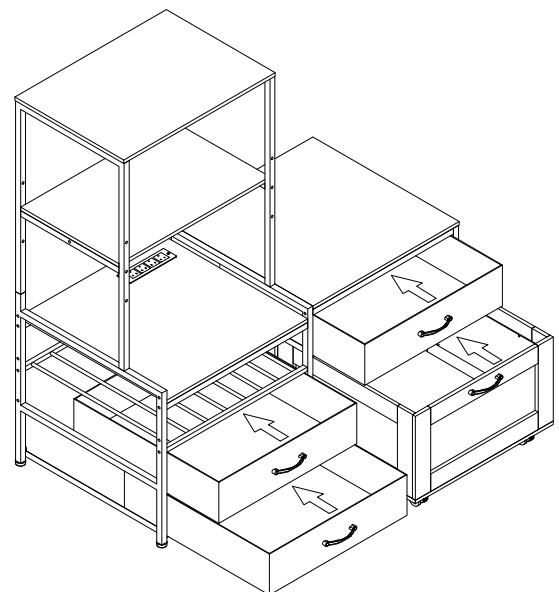


x3

STEP18-a

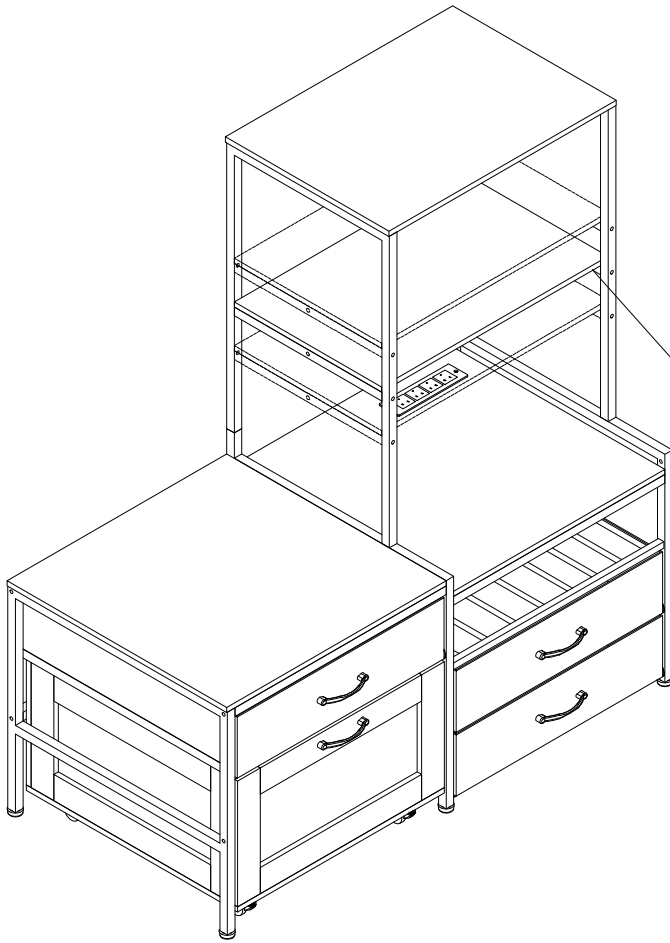


STEP18-b



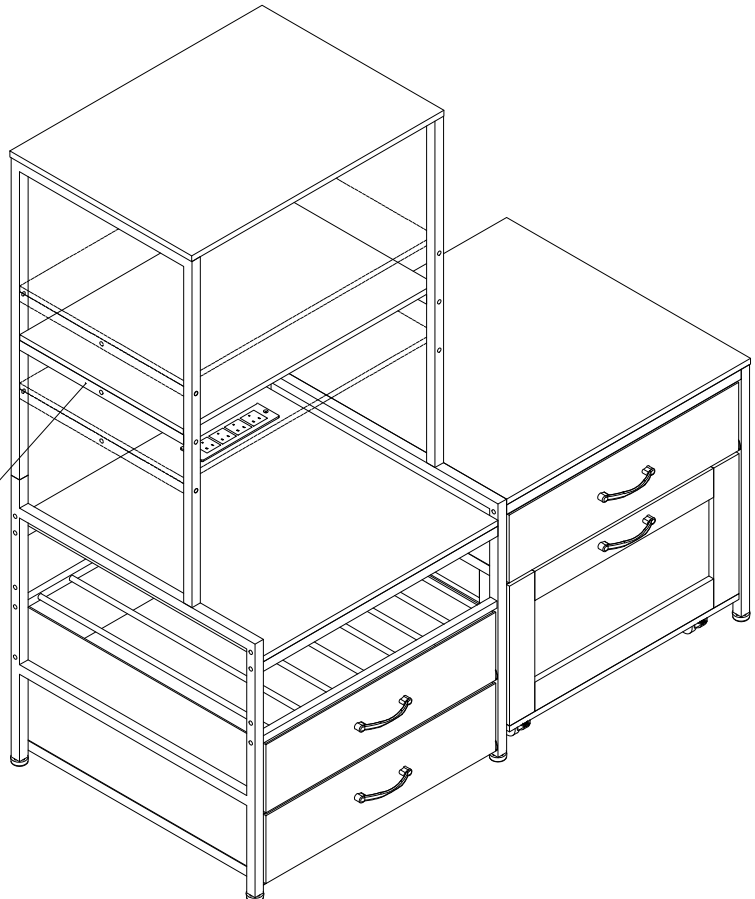
ASSEMBLY INSTRUCTION

a



The plate can be adjusted up and down

b



The plate can be adjusted up and down